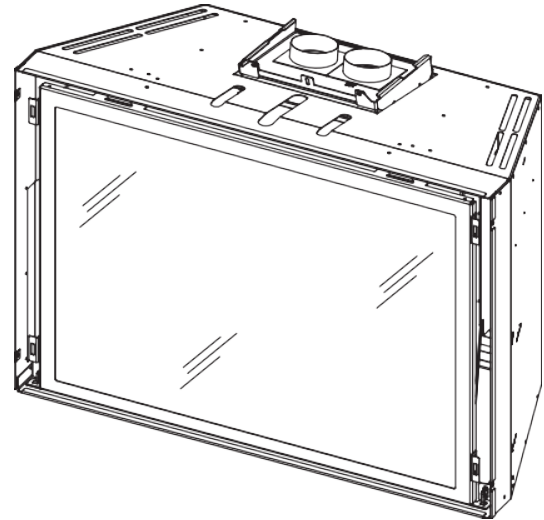


# NORDIK 29i

Model #NDK-29-i  
Direct Vent Gas Fireplace Insert

English and French installation manuals are available through your local dealer. Visit our website [www.kozyheat.com](http://www.kozyheat.com).  
Les manuels d'installation en français et en anglais sont disponibles chez votre détaillant local. Visitez [www.kozyheat.com](http://www.kozyheat.com).



**⚠ WARNING:**  
**FIRE OR EXPLOSION HAZARD**  
Failure to follow safety warnings exactly could result in serious injury, death, or property damage.

Do not store or use gasoline or other flammable vapors and liquids in the vicinity of this or any other appliance.

### WHAT TO DO IF YOU SMELL GAS

- Do not try to light any appliance.
- Do not touch any electrical switch; do not use any phone in your building.
- Leave the building immediately.
- Immediately call your gas supplier from a neighbor's phone. Follow the gas supplier's instructions.
- If you cannot reach your gas supplier, call the fire department.

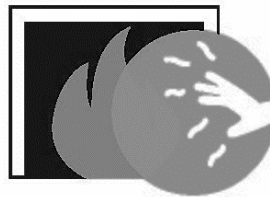
Installation and service must be performed by a qualified installer, service agency or the gas supplier.

This appliance may be installed in an aftermarket, permanently located, manufactured home (USA only) or mobile home, where not prohibited by local codes.

This appliance is only for use with the type of gas indicated on the rating plate. This appliance is not convertible for use with other gases, unless a certified kit is used.



# DANGER



**HOT GLASS WILL  
CAUSE BURNS**  
**DO NOT TOUCH GLASS  
UNTIL COOLED**  
**NEVER ALLOW CHILDREN  
TO TOUCH GLASS**

A barrier designed to reduce the risk of burns from the hot viewing glass is provided with this appliance and shall be installed for the protection of children and other at-risk individuals.

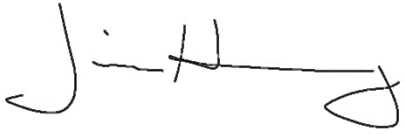
**INSTALLER:** Leave this manual with the appliance.  
**CONSUMER:** Retain this manual for future reference.



# CONGRATULATIONS!

Hussong Manufacturing welcomes you as a new owner of a Kozy Heat gas fireplace. Kozy Heat products are designed with superior components and materials, assembled with care by trained craftsmen who take pride in their work. To ensure you receive a quality product, the burner and valve assembly are 100 percent test-fired, and the complete fireplace is thoroughly inspected before packaging. Our commitment to quality and customer satisfaction has remained the same for over 40 years. We offer a complete line of gas, wood, and electric fireplaces, along with stylish accessories to complement any decor. Adding a fireplace is one of the best ways to increase the value of your home, and we are proud to offer a network of dealers throughout the country to help make your experience everything you imagine. We pride ourselves in being dedicated not only to functionality and reliability, but also customer safety. We offer our continual support and guidance to help you achieve the maximum benefit and enjoyment from your Kozy Heat gas fireplace.

Jim Hussong  
President



Dudley Hussong  
Board Chairman



Read this manual before installing or operating this appliance.  
Please retain this owner's manual for future reference.

## Homeowner Reference Information

*We recommend you record the following information:*

Model Name: \_\_\_\_\_ Date purchased/installed: \_\_\_\_\_

Serial Number: \_\_\_\_\_ Location of fireplace: \_\_\_\_\_

Dealership Purchased from: \_\_\_\_\_ Dealer phone: \_\_\_\_\_

Notes: \_\_\_\_\_  
\_\_\_\_\_  
\_\_\_\_\_



# TABLE OF CONTENTS

<b>HOMEOWNER REFERENCE INFORMATION</b> .....	<b>3</b>
<b>TABLE OF CONTENTS</b> .....	<b>5</b>
<b>1.0 INTRODUCTION</b> .....	<b>7</b>
1.1 Appliance Certification .....	7
1.2 California Proposition 65 Warning.....	7
1.3 Requirements for the Commonwealth of Massachusetts.....	7
<b>2.0 SPECIFICATIONS</b> .....	<b>8</b>
2.1 Heating Specifications.....	8
2.2 Electrical Specifications.....	8
2.3 Appliance Dimensions.....	9
2.4 Part Assembly Overview.....	10
2.5 Safety Barrier Dimensions .....	11
<b>3.0 EXISTING FIREPLACE REQUIREMENTS</b> .....	<b>12</b>
3.1 Appliance Placement Considerations.....	12
3.2 Existing Fireplace Specifications.....	12
<b>4.0 TERMINATION LOCATION</b> .....	<b>14</b>
4.1 Chimney Vent Termination Clearances .....	14
4.2 Co-linear to Co-axial Vent Terminations .....	14
<b>5.0 INSTALLATION PREPARATION</b> .....	<b>15</b>
5.1 Inspect and Clean Existing Chimney.....	15
5.2 Flue Damper.....	15
5.3 Gas Line.....	15
5.4 Electrical Wiring.....	15
5.5 Fireplace Conversion .....	15
<b>6.0 INSTALLATION</b> .....	<b>16</b>
6.1 Approved Vent Systems .....	16
6.2 Kozy Heat #816 and #816-CAP .....	17
6.3 Co-linear to Co-axial Combined Venting .....	18
6.4 Remove Vent Adapter .....	19
6.5 Run Vent System .....	19
6.6 Connect Vent Pipe to Vent Adapter.....	19
6.7 Place and Secure Appliance .....	20
6.8 Outdoor Covered Fireplace Installation .....	21
<b>7.0 GAS LINE CONNECTION</b> .....	<b>23</b>
7.1 Gas Conversion.....	23
7.2 Gas Line Installation .....	23
<b>8.0 FACING AND FINISHING</b> .....	<b>24</b>
8.1 Facing and Finishing Requirements .....	24
8.2 Shroud Installation .....	26
8.3 Safety Barrier Installation .....	26
<b>9.0 GAS FIREPLACE INSERT SET UP</b> .....	<b>27</b>
9.1 Glass Assembly.....	27
9.2 Light Kits .....	27
9.3 Panel Installation.....	28
9.4 #NK29-500 Log Set Installation .....	29
9.5 Control Board Removal and Installation .....	30
<b>10.0 ELECTRICAL INFORMATION</b> .....	<b>31</b>
10.1 Electrical Specifications.....	31
10.2 Wiring Requirements.....	31
<b>11.0 OPERATING INSTRUCTIONS</b> .....	<b>32</b>
11.1 Setup Komfort 8K Control Module .....	33
11.2 Initialize the Komfort 8K Control System .....	33
11.3 Automatic Safety Turn-off .....	33
11.4 Backup Battery Operation.....	33
11.5 Komfort 8K Control System Ignition Sequence	34
11.6 Additional Diagnostic Information.....	34
11.7 Remote Control Operation .....	35
<b>12.0 ADJUSTMENT</b> .....	<b>39</b>
12.1 Pressure Testing.....	39
12.2 Flame Appearance Adjustment.....	40
12.3 Air Intake Restrictor Positioning.....	41
<b>13.0 TROUBLESHOOTING</b> .....	<b>42</b>
<b>14.0 MAINTENANCE</b> .....	<b>45</b>
14.1 Firebox.....	45
14.2 Fan .....	45
14.3 Vent System.....	45
14.4 Glass Assembly .....	45
14.5 Burner and Pilot System .....	46
<b>15.0 REPLACEMENT PARTS LIST</b> .....	<b>47</b>
<b>LIMITED LIFETIME WARRANTY</b> .....	<b>48</b>



# 1.0 INTRODUCTION

## 1.1 Appliance Certification

Laboratory: PFS in Cottage Grove, Wisconsin


Standards:

ANSI Z21.88-2019/CSA 2.33-2019, Vented Gas Fireplace Heaters

CSA 2.17 - 2017, Gas-Fired Appliances for Use at High Altitudes

This installation must conform with local codes, or in the absence of local codes, with the National Fuel Gas Code, ANSI Z223.1/NFPA 54, or the Natural Gas and Propane Installation Code, CSA B149.1

## 1.2 California Proposition 65 Warning

 **WARNING:** This product can expose you to chemicals including Carbon Monoxide, that is an externally vented by-product of fuel combustion, which is [are] known to the State of California to cause birth defects or other reproductive harm. For more information, visit [www.P65Warnings.ca.gov](http://www.P65Warnings.ca.gov).

## 1.3 Requirements for the Commonwealth of Massachusetts

*The following requirements reference various Massachusetts and national codes not contained in this manual.*

For all sidewall horizontally vented gas fueled equipment installed in every dwelling, building or structure used in whole or in part for residential purposes, including those owned or operated by the Commonwealth and where the side wall exhaust vent termination is less than (7) feet above finished grade in the area of the venting, including but not limited to decks and porches, the following requirements shall be satisfied:

### 1.3.1 Installation of Carbon Monoxide Detectors

At time of installation of side wall horizontally vented gas fueled equipment, the installing plumber or gas-fitter shall observe that a hard wired carbon monoxide detector with an alarm and battery back-up is installed on the floor level where the gas equipment is to be installed. In addition, the installing plumber or gas-fitter shall observe that a battery operated or hard wired carbon monoxide detector is installed on each additional level of the dwelling, building or structure served by the side wall horizontal vented gas fueled equipment. It shall be the responsibility of the property owner

to secure the services of qualified licensed professionals for the installation of hard wired carbon monoxide detectors.

In the event that the side wall horizontally vented gas fueled equipment is installed in a crawl space or attic, the hard wired carbon monoxide detector with alarm and battery back-up may be installed on the next adjacent floor level. In the event that the requirements

of this subdivision cannot be met at the time of completion of installation, the owner shall have a period of thirty (30) days to comply with the above requirements; provided, however, that during said thirty (30) day period, a battery operated carbon monoxide detector with an alarm shall be installed.

### 1.3.2 Approved Carbon Monoxide Detectors

Each carbon monoxide detector as required in accordance with the above provisions shall comply with NFPA 720 and be ANSI/UL 2034 listed and IAS certified.

### 1.3.3 Signage

A metal or plastic identification plate shall be permanently mounted to the exterior of the building at a minimum of eight (8) feet above grade directly in line with the exhaust vent terminal for the horizontally vented gas fueled heating appliance or equipment. The sign shall read, in print no less the one-half inch (1/2) in size, "GAS VENT DIRECTLY BELOW. KEEP CLEAR OF ALL OBSTRUCTIONS".

### 1.3.4 Inspection

The state or local gas inspector of the side wall horizontally vented gas fueled equipment shall not approve the installation unless, upon inspection, the inspector observes carbon monoxide detectors and signage installed in accordance with the provisions of 248 CMR 5.08 (2) (a) 1 through 4.

### 1.3.5 Exemptions

The following equipment is exempt from 248 CMR 5.08 (2) (a) 1 through 4: The equipment listed in Chapter 10 entitled "Equipment Not Required To Be Vented" in the most current edition of NFPA 54 as adopted by the Board; and Product Approved side wall horizontally vented gas fueled equipment installed in a room or structure separate from the dwelling, building or structure used in whole or in part for residential purposes.

### 1.3.6 Manufacturer Requirements

#### 1.3.6.1 Gas Equipment Venting System Provided

When the manufacturer of Product Approved side wall horizontally vented gas equipment provides a venting system design or venting system components with the equipment, the instructions provided by the manufacturer for installation of the equipment and the venting system shall include:

- Detailed instructions for the installation of the venting system design or the venting system components; and
- A complete parts list for the venting system design or venting system.

A copy of all installation instructions for all Product Approved side wall horizontally vented gas fueled equipment, all venting instructions, all parts lists for venting instructions, and/or all venting design instructions shall remain with the appliance or equipment at the completion of the installation.

#### 1.3.7 Gas Equipment Venting System NOT Provided

When the manufacturer of Product Approved side wall horizontally vented gas equipment does not provide the parts for venting the flue gases, but identifies "special venting systems", the following requirements shall be satisfied by the manufacturer:

- The referenced "special venting systems" instructions shall be included with the appliance or equipment installation instructions and:
- The "special venting systems" shall be Product Approved by the Board, and the instructions for that system shall include a parts list and detailed installation instructions.

A copy of all installation instructions for all Product Approved side wall horizontally vented gas fueled equipment, all venting instructions, all parts lists for venting instructions, and/or all venting design instructions shall remain with the appliance or equipment at the completion of the installation.

## 2.0 SPECIFICATIONS

---

### 2.1 Heating Specifications

	<b>Natural Gas</b>	<b>Propane</b>
<b>Maximum Input Rating</b>	32,000 Btu/h (9.37kw)	32,000 Btu/h (9.37kw)
<b>Orifice Size (DMS)</b>	LEFT: #50 RIGHT: #50 REAR: #57	LEFT: #56 RIGHT: #56 REAR: #70
<b>Minimum Input Rating</b>	17,000 Btu/h (4.98kw)	17,000 Btu/h (4.98kw)
<b>Maximum Pressure</b>	10" WC (1.25kPa)	13" WC (2.99 kPa)
<b>Minimum Inlet Pressure</b>	5" WC (2.49 kPa)	12" WC (3.24 kPa)
<b>Manifold Pressure (High)</b>	3.5" WC (0.875 kPa)	10" WC (2.49 kPa)
<b>Manifold Pressure (Low)</b>	1" WC (0.24 kPa)	2.7" WC (0.67 kPa)
<b>Venturi Opening Settings</b>	LEFT: 1/8" RIGHT: 1/8" REAR: 5/8"	LEFT: 3/8" RIGHT: 3/8" REAR: 5/8"
<b>Intake restrictor</b>	1/4" Open	1/2" Open

#### 2.1.1 Altitude Adjustment

*This appliance may be installed at higher altitudes. Please refer to National Fuel Gas Code ANSI Z223.1/NFPA 54, CSA-B149.1 Natural Gas and Propane Installation Code, local authorities, or codes having jurisdiction in your area regarding derate guidelines.*

##### 2.1.1.1 US Installations

Refer to the American Gas Association guidelines for the gas designed appliances derating method. For elevations above 2,000' (610m), input ratings are to be reduced by 4% for each 1,000' (305m) above sea level.

##### 2.1.1.2 Canadian Installations

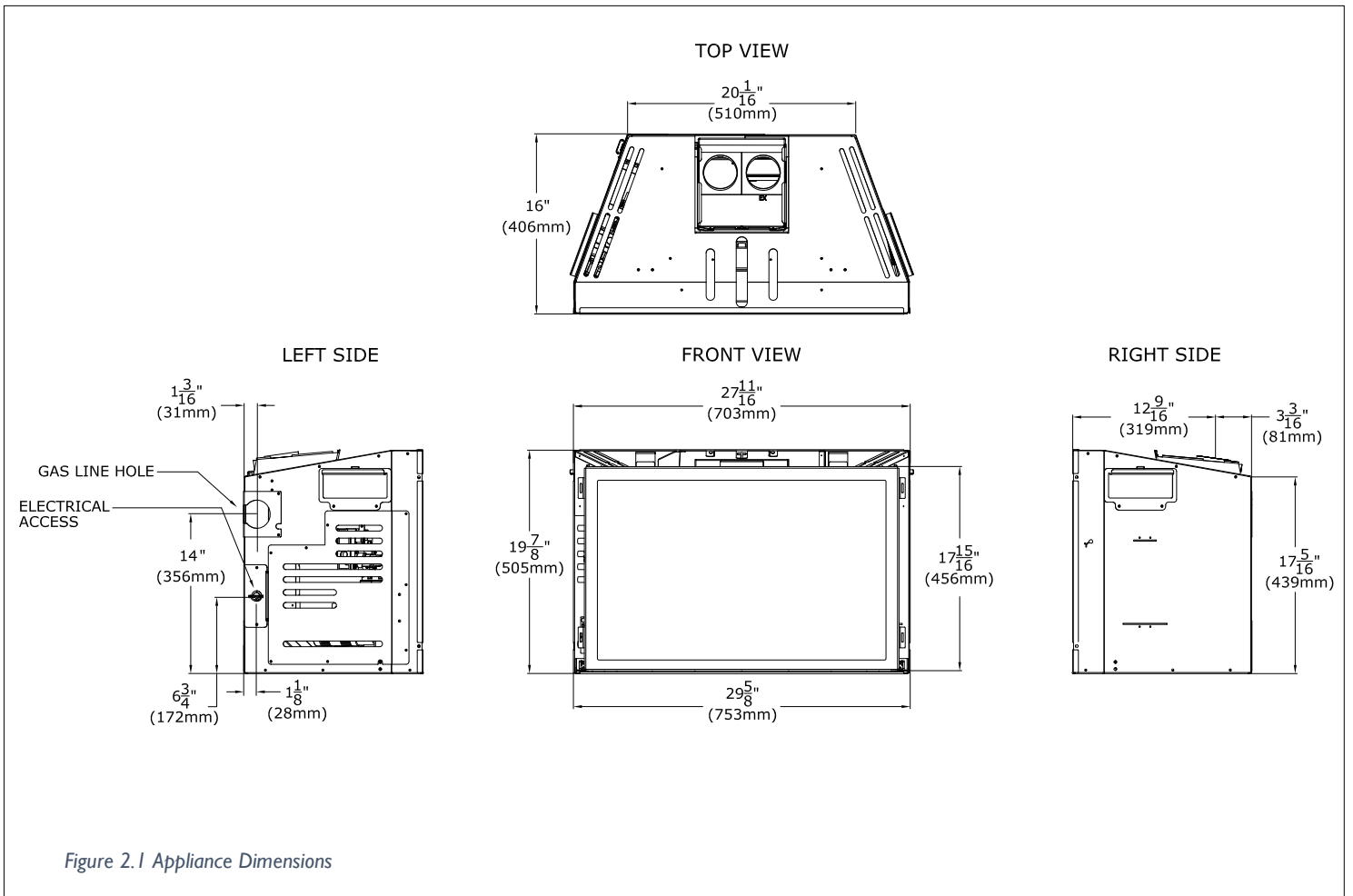
When the appliance is installed at elevations above 4,500' (1,372m), the certified high-altitude rating shall be reduced at the rate of 4% for each additional 1,000' (305m).

### 2.2 Electrical Specifications

- The junction box in this appliance requires 120VAC, 60Hz, and 6 Amps.
- Verify the household breaker is shut off prior to working on any electrical lines
- The AC power supply to this appliance must be hot at all times and shall not have a switch installed in it.



## 2.3 Appliance Dimensions



## 2.4 Part Assembly Overview

**WARNING:** Failure to position these parts in accordance with these diagrams, or failure to use only specified approved parts with this appliance, may result in property damage or personal injury.

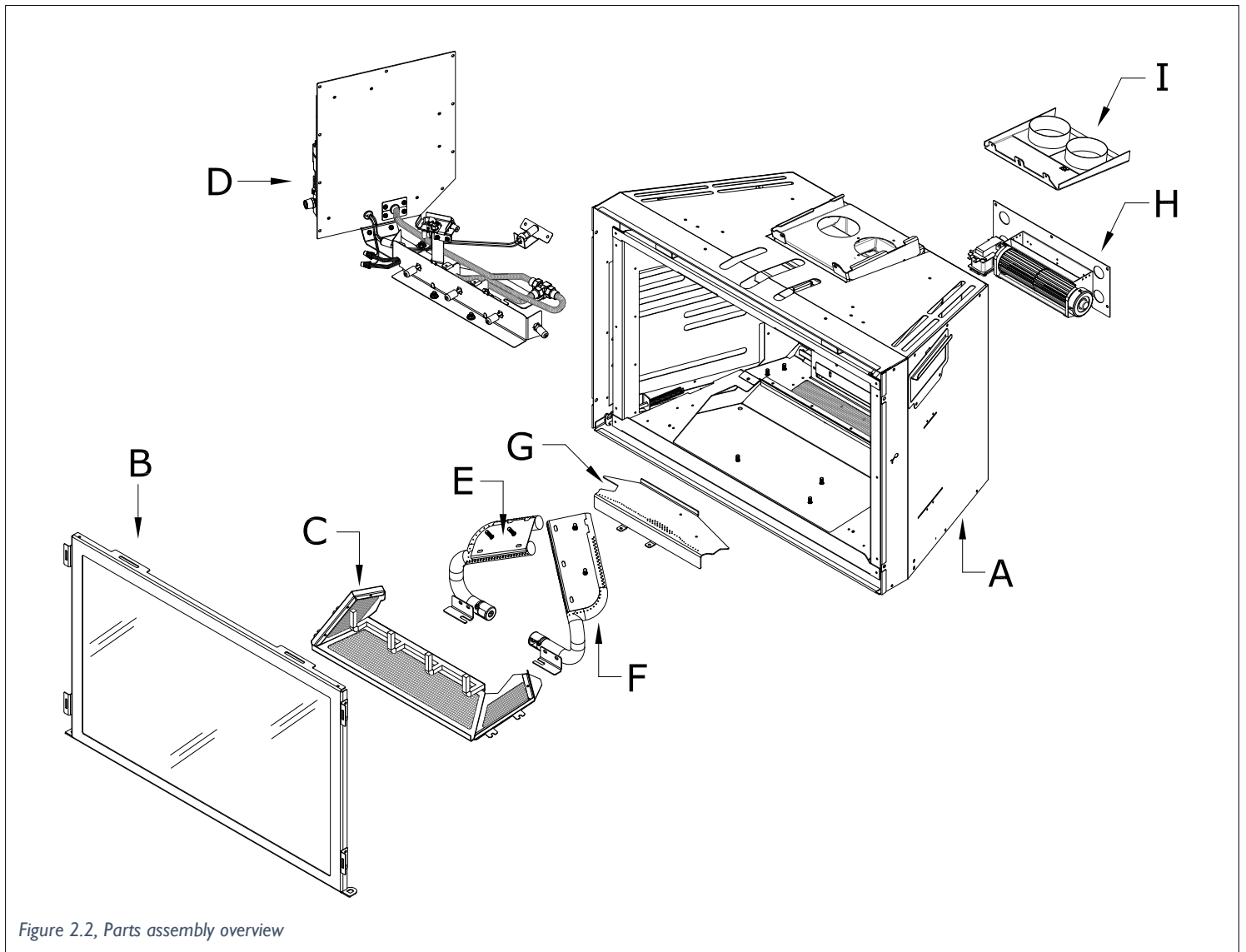


Figure 2.2, Parts assembly overview

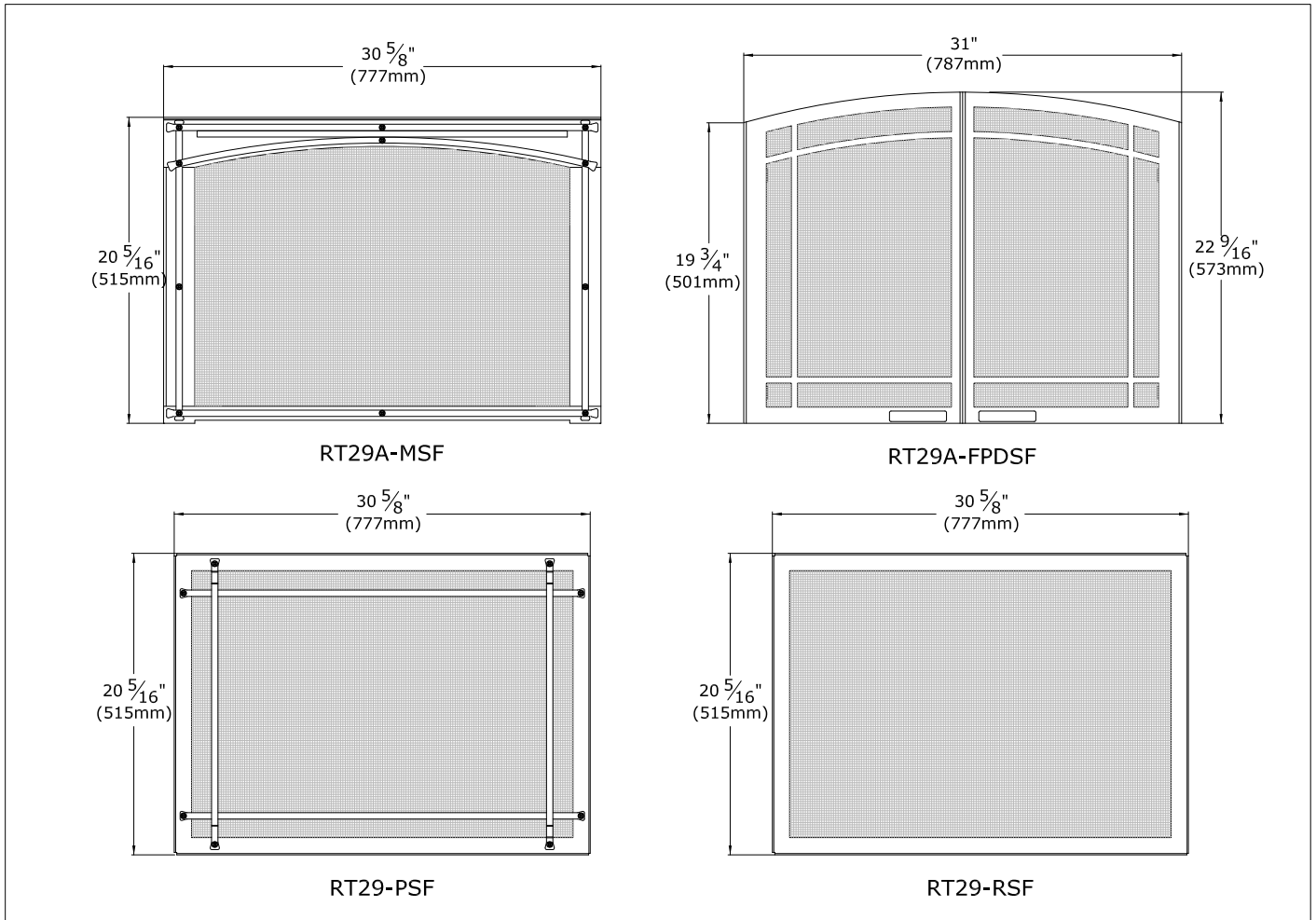
Table 2.1, Parts Overview

A	Fireplace insert	E	Left burner assembly
B	Glass frame assembly	F	Right burner assembly
C	Log rack/media tray	G	Rear burner assembly
D	Control board assembly with light kits	H	Fan
		I	Colinear Vent Adapter

## 2.5 Safety Barrier Dimensions

**WARNING:** A barrier designed to reduce the risk of burns from the hot viewing glass is provided with this appliance and shall be installed for the protection of children and other at-risk individuals. If the barrier becomes damaged, the barrier shall be replaced with Hussong Mfg.'s barriers for this appliance.

**IMPORTANT:** Consider the height of hearth finish material when building a fireplace platform. Proper installation of safety barriers require the bottom of the fireplace to be level with finished hearth. See section 8.3 Safety Barrier Installation on page 25 for installation and removal of safety barriers.



## 3.0 EXISTING FIREPLACE REQUIREMENTS

### 3.1 Appliance Placement Considerations

**WARNING:** Due to high surface temperatures, the fireplace insert should be located out of traffic and away from furniture and draperies.

- This fireplace must be installed on a level surface capable of supporting the fireplace insert and venting.
- This fireplace insert may be installed in a bedroom.
- Please be aware of the large amount of heat this fireplace insert will produce when determining a location.

### 3.2 Existing Fireplace Specifications

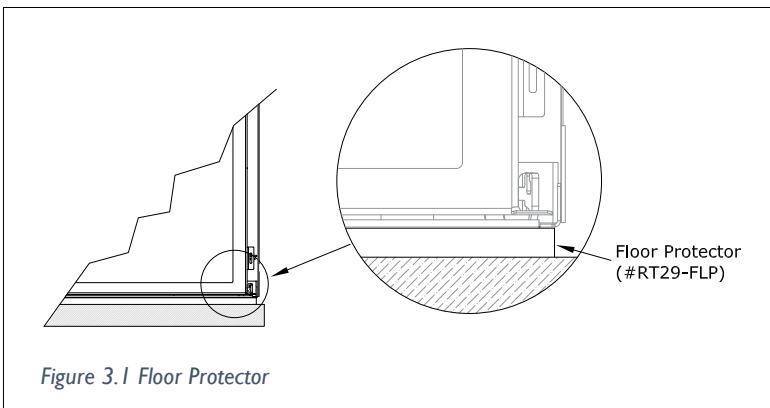
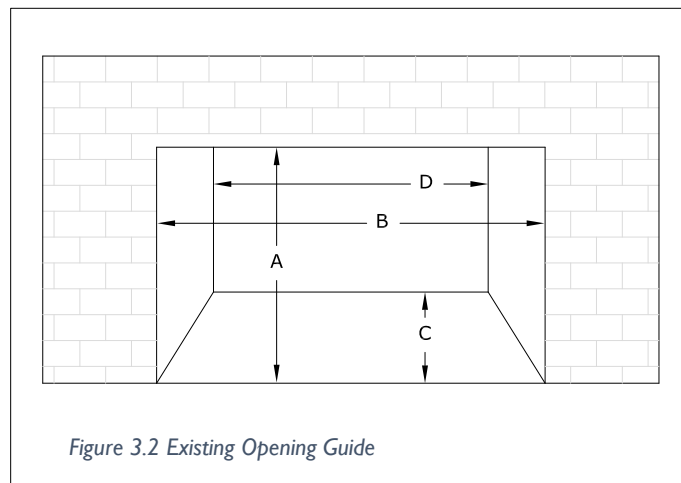
**IMPORTANT:** Adequate accessibility clearances for servicing and proper operation must be maintained.

- Any smoke shelves, shields, and baffles may be removed if attached by mechanical fasteners. If necessary, remove firebrick to obtain at least the minimum opening requirements.
- Cutting of any sheet metal parts of the existing fireplace is prohibited.
- A gas line must be able to be installed to the fireplace insert. Please refer to Figure 2.1 on page 9. The gas line access hole is located on the left side of the insert.
- If the metal floor is removed, the insert must be placed directly on metal base of metal fireplace using the Kozy Heat Floor Protector Kit (#RT29-FLP).
- Mechanically attach 'THIS UNIT HAS BEEN MODIFIED' label at bottom of existing firebox so it will be visible if this gas fireplace insert is removed.

### 3.2.1 Existing Fireplace Opening Minimum Requirements

If installing the #RT29-FLP, add 1/2" (12.7mm) (thickness of floor protector) to the height (A) to maintain minimum opening clearances.

(A)	Height.....	20" (508mm)
(B)	Front Width.....	29-3/4" (755mm)
(C)	Depth.....	16" (406mm)
(D)	Back Width.....	20-3/8" (517mm)



### 3.2.2 Chimney Specifications

**WARNING:** Any chimney clean-outs must fit properly.

This fireplace insert is to be installed into a solid fuel masonry or factory built non-combustible fireplace that has been installed in accordance with the national, provincial, state, and local building codes.

The existing chimney must be comprised of one of the following:

- Factory-built solid fuel chimney: 7" (178mm) minimum inside diameter
- Masonry chimney: 6" x 8" (152mm x 203mm) minimum inside diameter

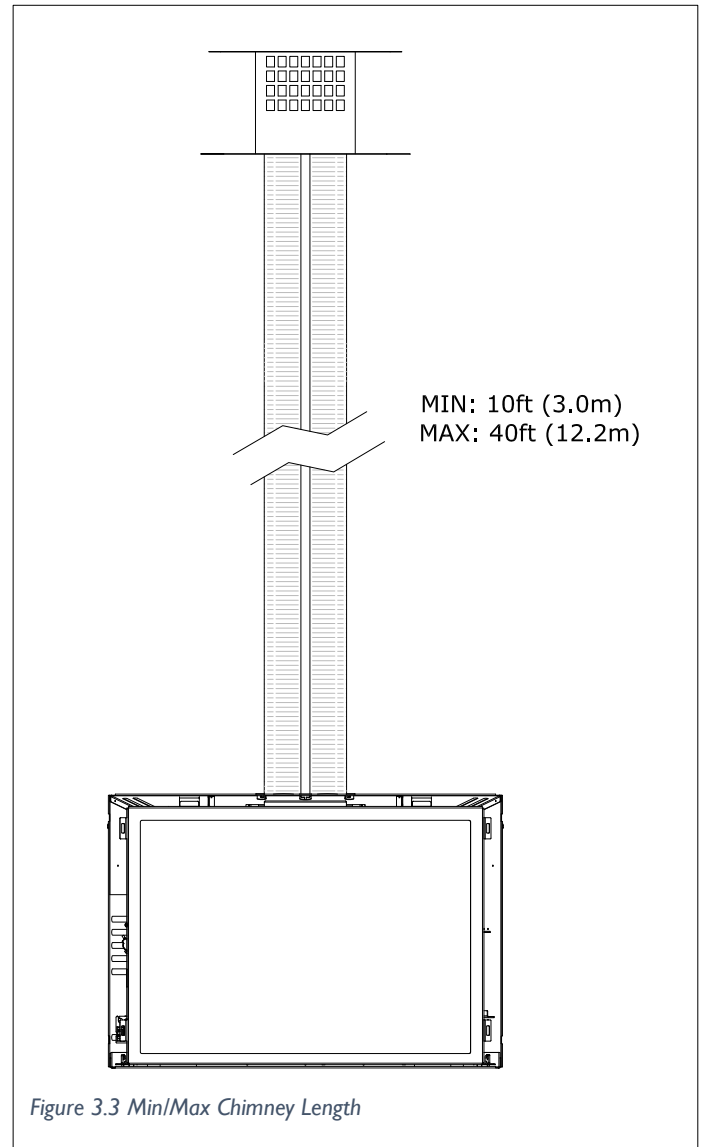
Existing chimney height:

- Minimum: 10' (3.0m) Maximum: 40' (12.2m)

*In certain circumstances where a chimney no longer terminates through the roof line, a co-linear to co-axial adapter may be installed where the existing chimney ends. After the adapter, the co-axial pipe must maintain 1" (25mm) clearance to combustibles on all sides of the vent pipe. Refer to Sections 4.2 (pg. 14) and 6.3 (pg. 17) for other co-linear to co-axial conversion considerations and requirements.*

#### 3.2.2.1 Determine Length of Existing Chimney

1. Remove and discard existing chimney cap.
2. NOTE: It is helpful to have two people complete this step. Position one person at the fireplace opening and another person at the top of the chimney.
3. Measure from the fireplace base to the top of the chimney.
4. Subtract the height of the insert from the previous measurement.
5. This is the total length of the co-linear flexible aluminum pipe required for your installation. If using Kozy Heat #816, cut to length.

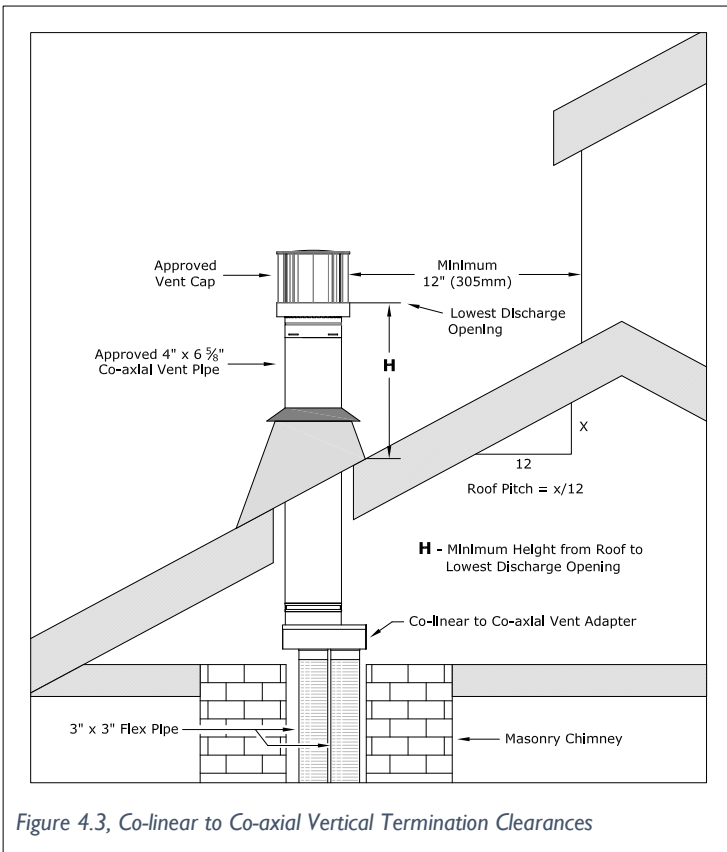
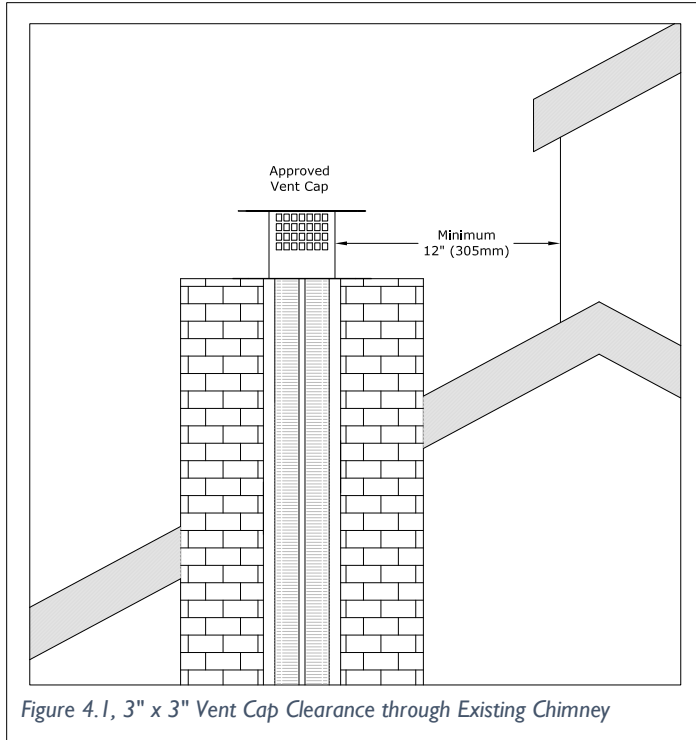


## 4.0 TERMINATION LOCATION

### 4.1 Chimney Vent Termination Clearances

**WARNING:** This appliance must not share or be connected to a chimney flue serving any other appliance.

- Approved vent caps require 12" (305mm) clearance to intersecting walls, overhangs or eaves as verified by test.



### 4.2 Co-linear to Co-axial Vent Terminations

**WARNING:** This appliance must not share or be connected to a chimney flue serving any other appliance.

When combining co-linear and co-axial venting in a single venting system using an approved 4" x 6-5/8" adapter, use Figure 4.2, Figure 4.3, and Table 4.1 for proper termination clearances.

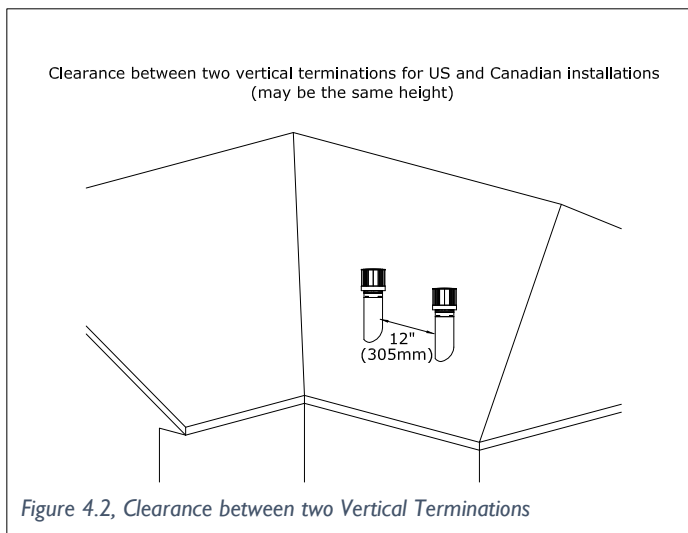


Table 4.1, Minimum Vertical Termination Height (use with Figure 4.3)

Roof Pitch	Minimum height (H) from roof	
	Feet	Meters
Flat to 6/12	1.0	0.30
Over 6/12 to 7/12	1.25	0.38
Over 7/12 to 8/12	1.5	0.46
Over 8/12 to 9/12	2.0	0.61
Over 9/12 to 10/12	2.5	0.76
Over 10/12 to 11/12	3.25	0.99
Over 11/12 to 12/12	4.0	1.22
Over 12/12 to 14/12	5.0	1.52
Over 14/12 to 16/12	6.0	1.83
Over 16/12 to 18/12	7.0	2.13
Over 18/12 to 20/12	7.5	2.27
Over 20/12 to 21/12	8.0	2.44

## 5.0 INSTALLTION PREPARATION

---

*NOTE: This gas fireplace insert is approved for installation in masonry and factory-built solid fuel burning fireplaces.*

*ATTENTION: Any removed parts must be capable of re-installation if this insert is ever removed. Removal of rivets or screws is acceptable.*

### 5.1 Inspect and Clean Existing Chimney

- Verify existing chimney is constructed of non-combustible material.
- Verify existing chimney is clean and in good working order. Clean existing chimney and fireplace to prevent a creosote odor from entering the home.
- Verify combustible mantel and sidewall clearances comply with Section 8.1 Facing and Finishing Requirements on page 23.
- The refractory, glass doors, screen rails, screen mesh, and log grates may be removed from existing fireplace before installing this gas fireplace insert.

### 5.2 Flue Damper

- The fireplace flue damper can be fully blocked open, or removed for installation of this gas fireplace insert. Remove existing chimney cap.

### 5.3 Gas Line

- A gas line must be able to be installed to the insert.
- If the factory-built fireplace has no gas access hole(s) provided, an access hole of 1 1/2" (37.5 mm) or less may be drilled
- through the lower sides or bottom of the firebox in a proper workmanship like manner. The access hole must be plugged with non-combustible insulation after the gas supply line has been installed.
- Run gas line to the gas fireplace insert through the gas line hole provided. The gas access hole is located on the left side of the unit. Do not run gas line in a manner that would obstruct fan operation.
- If the gas fireplace insert is to be installed into minimum opening dimensions, the gas line may need to be run after appliance placement due to space limitations.

### 5.4 Electrical Wiring

- Provisions must be made to provide electrical power for appliance operation.
- See Figure 2.1 on page 9 for electrical outlet box location to run any necessary electrical wiring to the gas fireplace insert.

### 5.5 Fireplace Conversion

- Mechanically attach the label with the following warning to the bottom existing firebox so it will be visible if this gas fireplace insert is removed.

***WARNING: This fireplace has been converted for use with a gas fireplace insert only and cannot be used for burning wood or solid fuels unless all original parts have been replaced, and the fireplace is re-approved by the Authority Having Jurisdiction.***

## 6.0 INSTALLATION

### 6.1 Approved Vent Systems

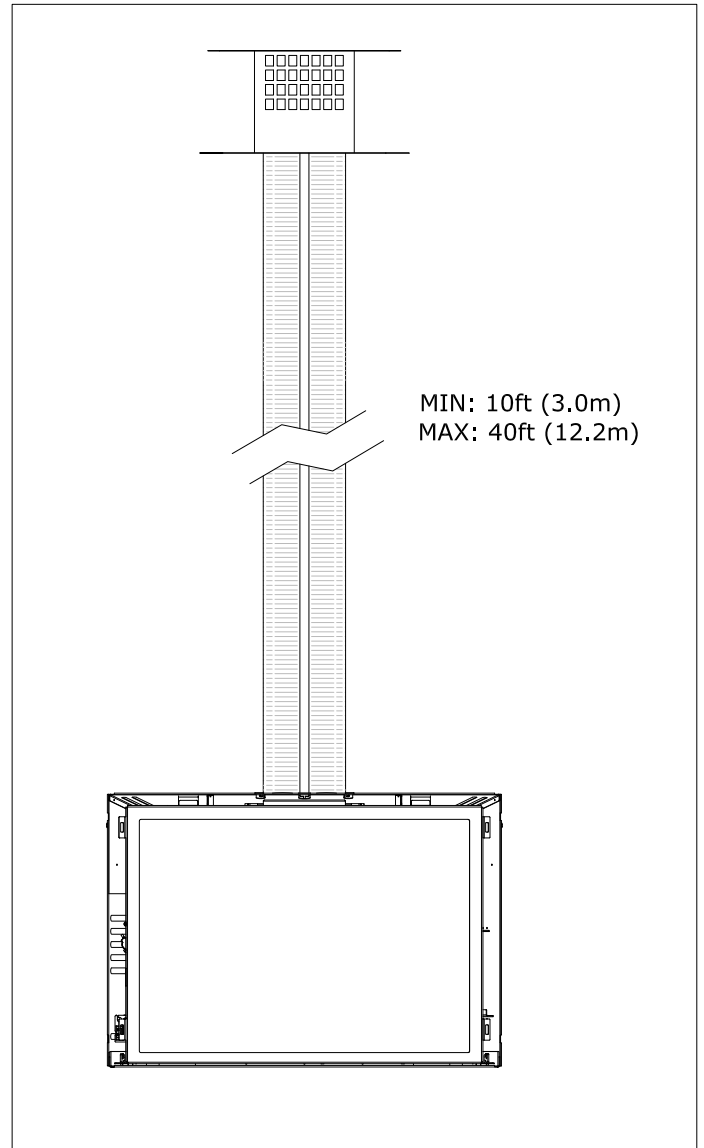
Kozy Heat #816 and #816-CAP

For use with minimum 6" x 8" I.D. masonry or 7" I.D. Class A metal chimneys; #816 includes one roll of 35' (10.97 m) of expandable 3" flexible pipe. #816-CAP is (1) round termination cap.

This appliance is approved to combine co-linear and co-axial venting in a single venting system using an approved 4" x 6-5/8" adapter.

Chimney specifications (Section 3.2.2 on page 13) must be adhered to when converting to co-linear to co-axial vent system. See section 6.2 Co-linear to Co-axial Combined Venting on page 17.

Vent Manufacturer	Vent Cap Part Number
American Metal Products (Ameri-Vent)	DVCC33
BDM	940033HWS 940033
Simpson DuraVent	46DVA-CL33H 46DVA-CL33P
ICC	IVT
Metal Fab	4DVT33F
Olympia	VDV-RCL33 VDV-VCCH33 VDV-CC33
Selkirk	4DT-CC33



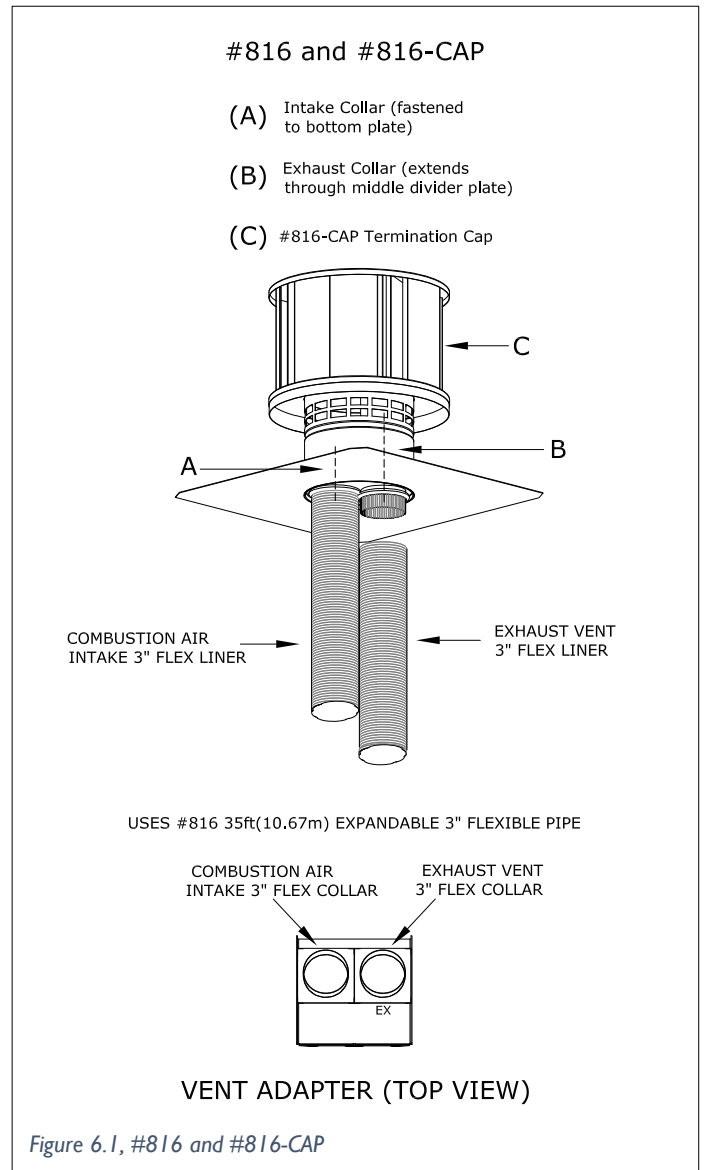


## 6.2 Kozy Heat #816 and #816-CAP

**IMPORTANT:** Proper operation of this insert requires the exhaust pipe and combustion air pipe to be connected to their correct flue collar, on both the termination kit and the gas fireplace insert vent adapter.

The fireplace insert exhaust flue collar is located on the right side. Install termination cap with the exhaust flue collar on the right side. **IMPORTANT:** Maximum horizontal vent runs of 24" (609mm) require a 1" (25mm) rise per 12" (305mm) run. Care should be taken when installing the flexible vent pipes to avoid a tight bend that may cause abrasion or damage to the flexible pipes.

1. Measure the total chimney length required. If needed, carefully extend the pipes, and cut to the measured length.
2. Slide the combustion air intake pipe over combustion air intake collar (A) and secure with (3) self-tapping screws (not provided).
3. Place a bead of high temperature sealant around the base of the exhaust vent collar (B). Slide the exhaust pipe over the collar and into the high temperature sealant. Secure with (3) self-tapping screws (not provided). Mark the opposite end of the exhaust pipe for easy identification during the installation.
4. Complete vent system installation by following the instructions outlined in Sections 6.7 through 6.9.



### 6.3 Co-linear to Co-axial Combined Venting

**IMPORTANT:** Maximum horizontal vent runs of 24" (609mm) require a 1" (25mm) rise per 12" (305mm) run. Care should be taken when installing the flexible vent pipes to avoid a tight bend that may cause abrasion or damage to the flexible pipes.

After the co-linear to co-axial vent adapter, the co-axial pipe requires a minimum of 1" (25mm) clearance to combustibles on all sides of the rigid pipe.

Maximum horizontal run of 3" x 3" flexible pipe length: 24" (610mm)

Minimum total combination of co-linear and co-axial vent pipe: 10' (3.05m)

Maximum total combination of co-linear and co-axial vent pipe:

PROPANE: 40' (12.19m)

NATURAL GAS: 40' (12.19m)

Table 6.4, Approved Vertical Vent Systems Co-Axial with Adapter	
Vent Manufacturer	Vent Cap Part Number
American Metal Products (Ameri-Vent)	4DVC
BDM	DVR6-VCLP DVR6-VCH
Simpson DuraVent	46DVA-VCH 46DVA-VC 46DVA-VCE
ICC	TM-4SVT
Metal Fab	4DVT
Olympia	VDV-VC04 VDV-VCH04
Selkirk	4DT-VT 4DT-VC

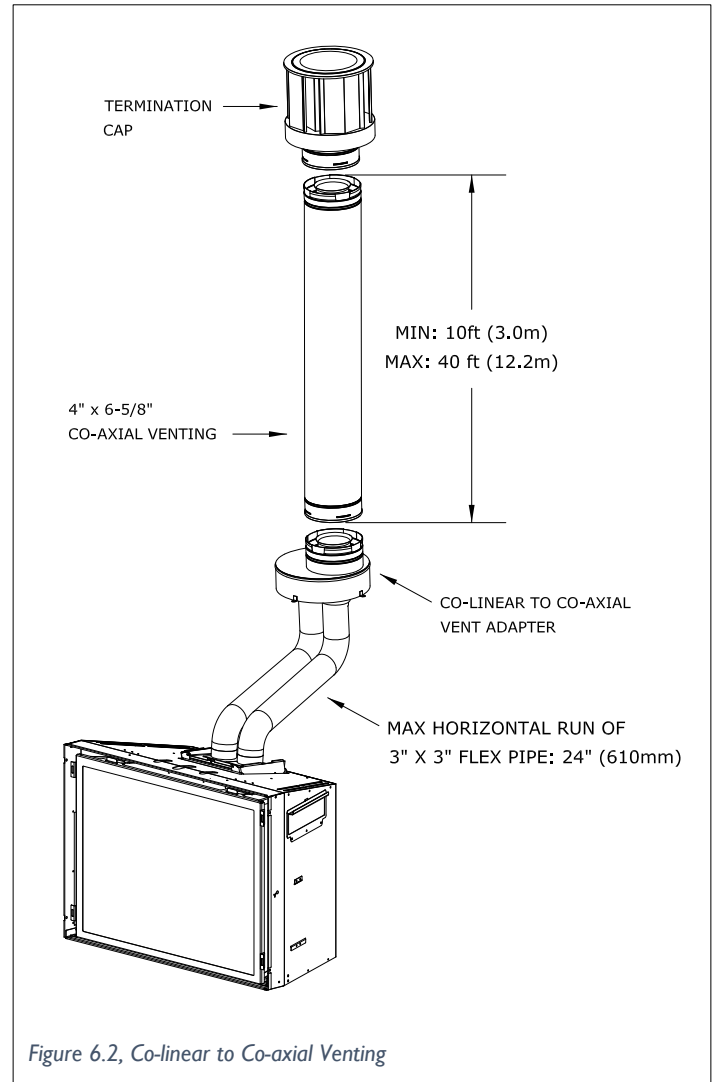
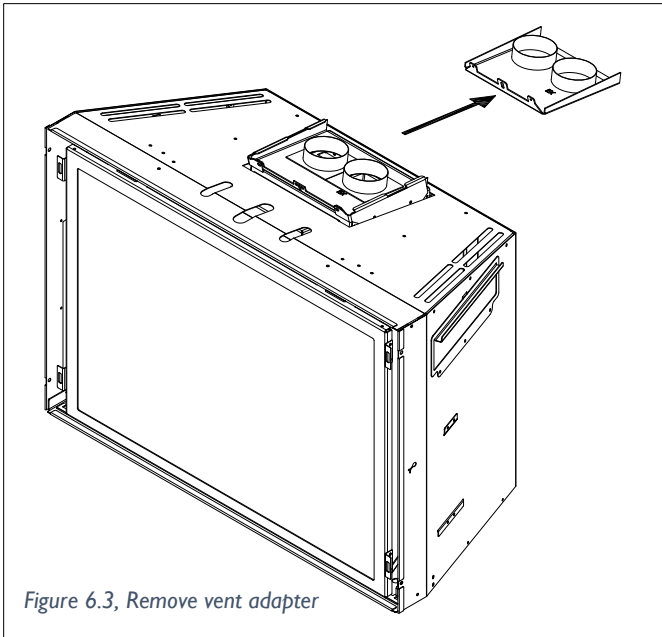


Figure 6.2, Co-linear to Co-axial Venting

## 6.4 Remove Vent Adapter

**ATTENTION:** All information outlined in must be completed before continuing with this installation.

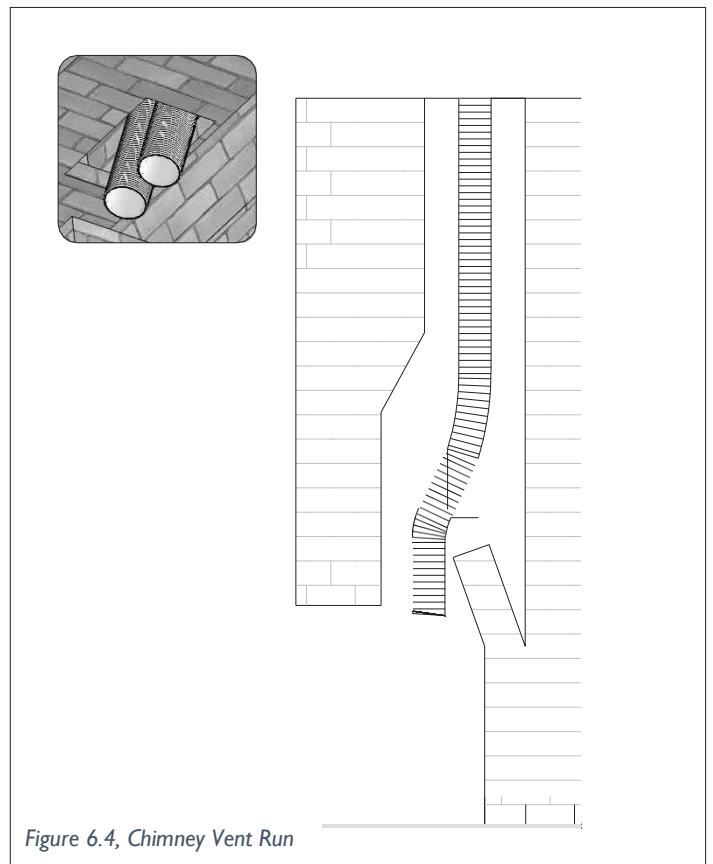
1. Remove the vent adapter at the top of appliance by sliding the vent adapter back out of channels. Refer to the following instructions for vent system attachment to the vent adapter.



## 6.5 Run Vent System

**NOTE:** If offsets are present in existing chimney, place a weighted rope around the pipe ends to guide them through the chimney. **DO NOT ATTEMPT TO TIE ONE ROPE AROUND BOTH PIPES.**

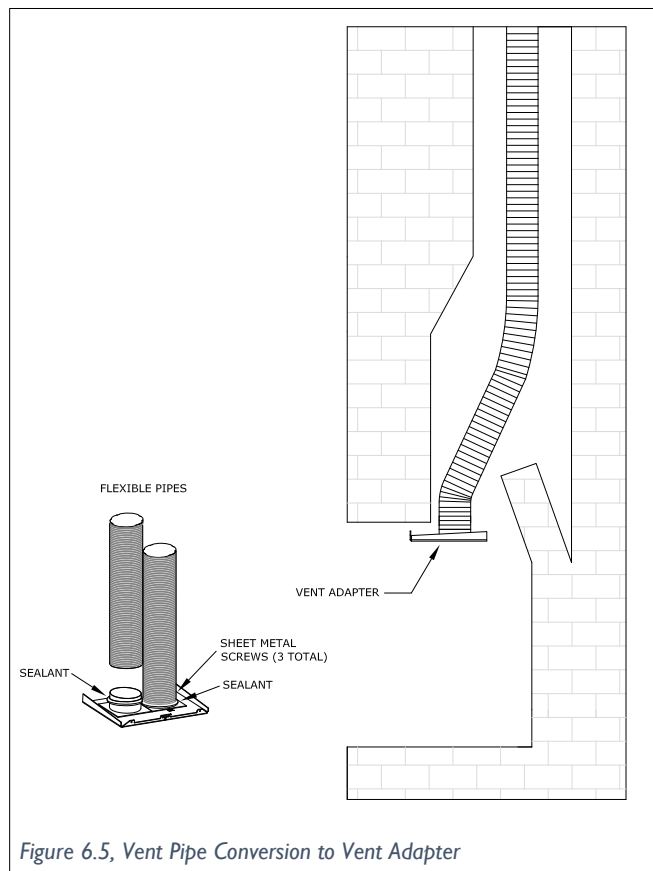
- To prevent cold air drafts, Hussong Manufacturing recommends to insulate the 3" x 3" flexible vent pipes and chimney using unfaced insulation products listed as noncombustible per ASTM E 136.
1. **OPTIONAL:** Before installing vent system down through the chimney, place unfaced insulation around the first 3' (914mm) of vent system below termination cap. Secure with wire.
  2. Install the 3" x 3" flexible pipes down through existing chimney. Guide ropes (if used) to aid installation.
  3. To secure chimney termination cap to chimney, apply a liberal bead of sealant (not provided) around the top of the chimney and secure.
  4. From inside the existing fireplace, carefully pull ropes (if used) or the flexible pipes down until both exhaust pipe and combustion air intake are into the existing fireplace firebox.
  5. **OPTIONAL:** To prevent heat loss up chimney, place unfaced insulation products listed as non-combustible per ASTM E 136 between the 3" x 3" flexible vent pipes and chimney.



## 6.6 Connect Vent Pipe to Vent Adapter

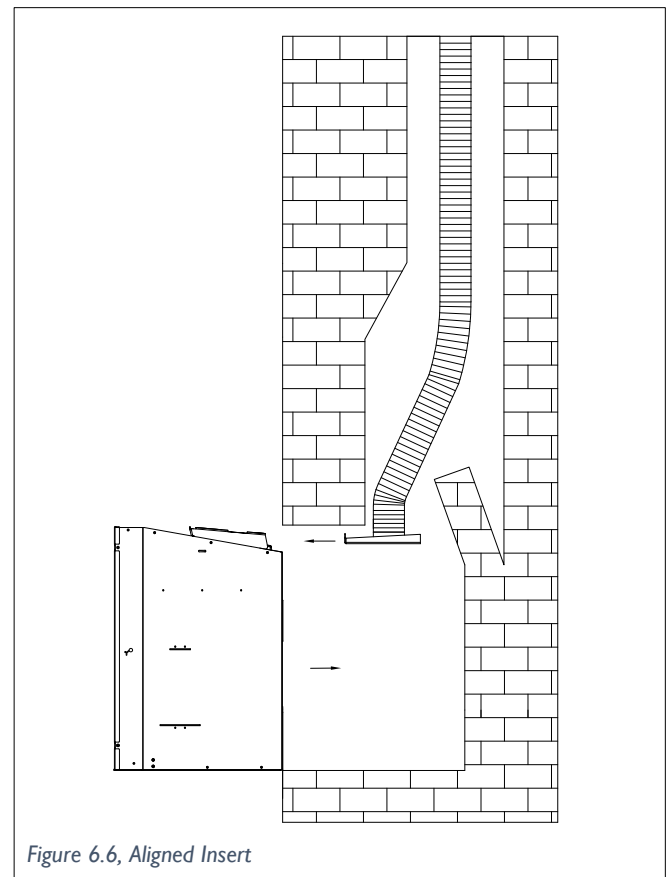
**IMPORTANT:** Proper operation of this insert requires the exhaust pipe and combustion air pipe to be connected to their correct flue collar, on both the termination kit and the gas fireplace insert vent adapter.

1. Place previously removed vent adapter into existing fireplace opening.
2. Connect one vent pipe to exhaust collar on vent adapter. Apply a bead of sealant (not provided) around exhaust pipe and slide inside collar marked 'Exhaust.' Secure with (3) 1/2" (13mm) self-tapping screws (not provided). Apply additional sealant around joint to ensure an airtight seal.
3. Connect one vent pipe to intake collar on vent adapter. Apply a liberal bead of sealant around intake collar on vent adapter. Slide combustion intake pipe over the collar and secure with provided (3) 1/2" (13mm) self-tapping screws. Apply additional sealant around joint to ensure an airtight seal.
4. Visually check vent pipe connection to vent adapter.



## 6.7 Place and Secure Adapter

1. Slide the gas fireplace insert into existing fireplace opening until the channels on top of the appliance are aligned with the vent adapter.
2. Insert the vent adapter pull rod through access slot at the top of appliance and place latch tool hook through the hole in pull rod. Simultaneously push the gas insert into existing fireplace and pull the vent adapter forward until seated.
3. Secure vent adapter to appliance by using slots at the top of the appliance to secure with (2) 1/2" (13mm) sheet metal screws (included in components packet).
4. Use the latch tool to push the pull rod back to starting position. Remove latch tool. Verify vent system connection.
5. If necessary, level the gas insert by threading leveling bolts (included in components packet) into nuts at the bottom of the insert (2 each side). Verify appliance is properly positioned.



## 6.8 Outdoor Covered Fireplace Installation

An outdoor covered fireplace installation allows a fireplace to be installed in an outdoor covered area, where the appliance is protected from direct precipitation.

Follow the instructions and illustrations for installation procedures. Drawings are for reference only and your fireplace may look different than shown.

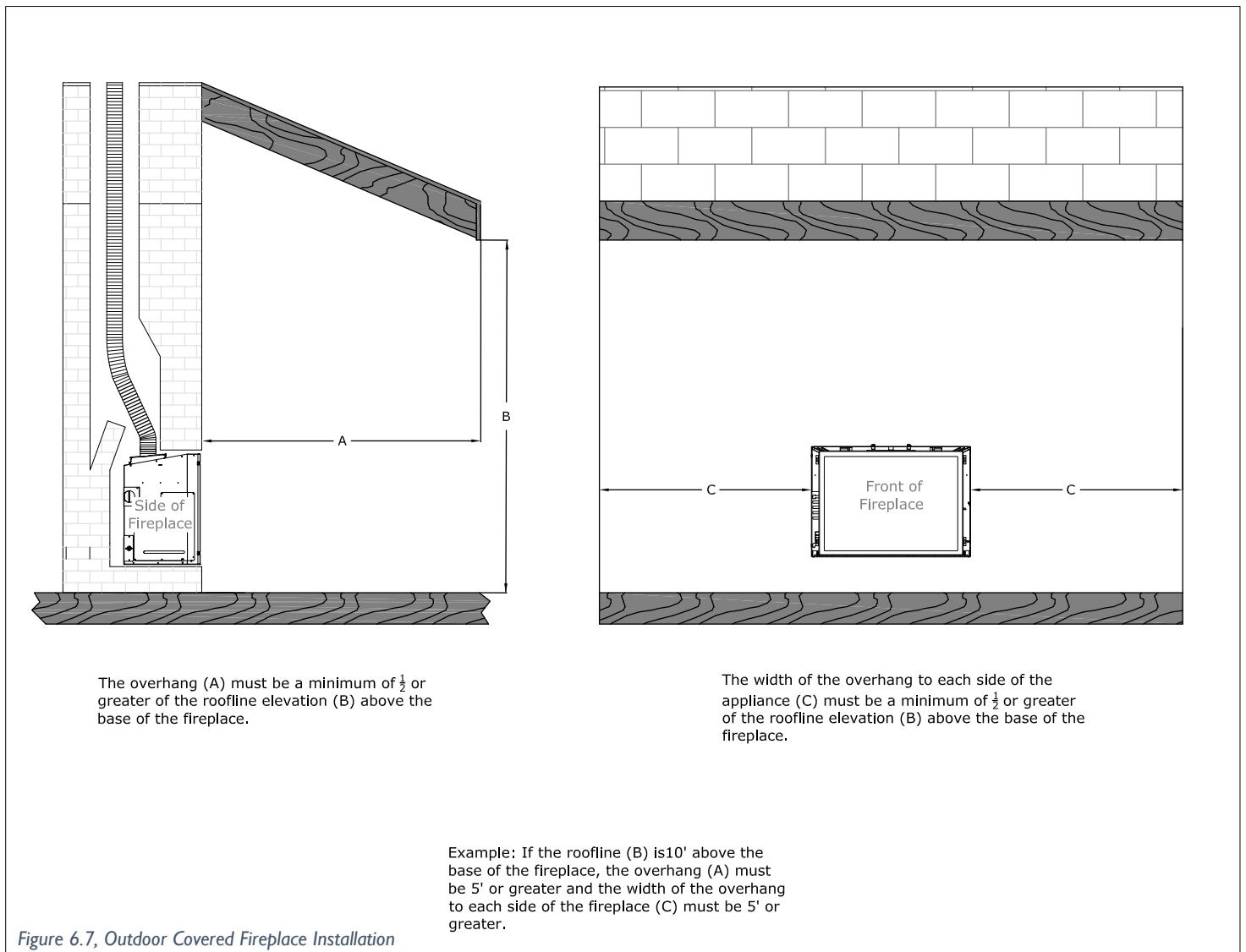
### 6.8.1 Safety Screen Barriers

Hussong Mfg. highly recommends to use black painted safety barriers in outdoor installations. Other screen barriers that incorporate

a plated or patina finish are highly susceptible to oxidation and discoloration.

### 6.8.2 Requirements

- The continuous insulated building envelope and weatherproof membrane is not to be interrupted by fireplace installation. See Figure 6.8 on the following page.
- Fireplace operation is approved from 40°F to 110°F.
- All wiring connections shall be in accordance with outdoor requirements of NECA NFPA 70.
- All clearances and requirements in this manual must be adhered to.



### 6.8.3 Outdoor Covered Fireplace Installation (continued)

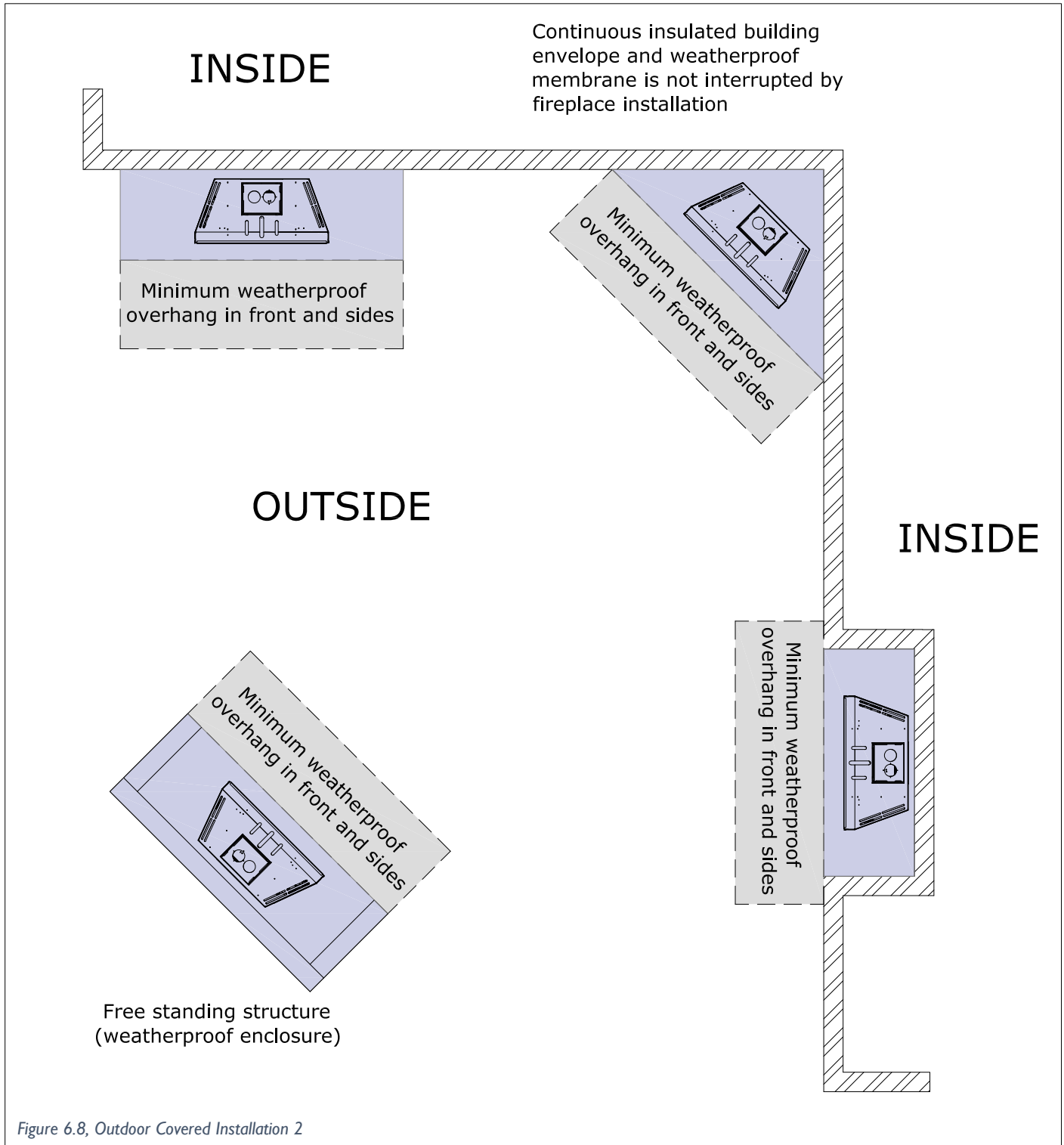


Figure 6.8, Outdoor Covered Installation 2

# 7.0 GAS LINE CONNECTION

## 7.1 Gas Conversion

**ATTENTION:** The conversion shall be carried out in accordance with the requirements of the provincial authorities having jurisdiction and in accordance with the requirements of the ANSI Z223.1 installation code.

This fireplace is manufactured for use with natural gas. Follow the instructions included with the conversion kit if converting to Propane.

## 7.2 Gas Line Installation

**CAUTION:** Installation of the gas line must only be done by a qualified person in accordance with local building codes, if any. If not, follow ANSI 223.1. Commonwealth of Massachusetts installations must be done by a licensed plumber or gas fitter.

**NOTE:** The appliance and its individual shutoff valve must be disconnected from the gas supply piping system during any pressure testing of that system at pressures in excess of ½ psi (3.5 kPa). For test pressures equal to or less than ½ psi (3.5 kPa), the appliance must be isolated from the gas supply piping system by closing its individual manual shut-off valve.

- A listed (and Commonwealth of Massachusetts approved) ½” (13mm) tee handle manual shut-off valve and flexible gas connector are to be connected to the ½” (13mm) control valve inlet. If substituting for these components, please consult local codes for compliance.
- If installing this insert into minimum opening dimensions, the gas line may need to be run after placement due to space limitations. See Section 3.2 Existing Fireplace Specifications on page 12.
- This fireplace is equipped with a 3/8” (10 mm) x 18” (457 mm) long flexible gas connector and manual shut-off valve.
- Run gas line into fireplace, preferably through the left gas line hole provided. See Figure 2.1, Appliance Dimensions on page 9. The gas line should be run to the point of connection where the shut-off valve and flexible gas line will connect.
- Do not run gas line in a manner that would obstruct fan operation.
- For high altitude installations, consult the local gas distributor or the authority having jurisdiction for proper rating methods.

### 7.2.3.1 Gas Line Access Position

The gas line access hole cover may be positioned to run the gas line through the left side or through the back.

1. Remove (4) screws securing the gas line access hole cover.
2. Follow Figure 7.1 for positioning the gas line access hole cover necessary for your installation.

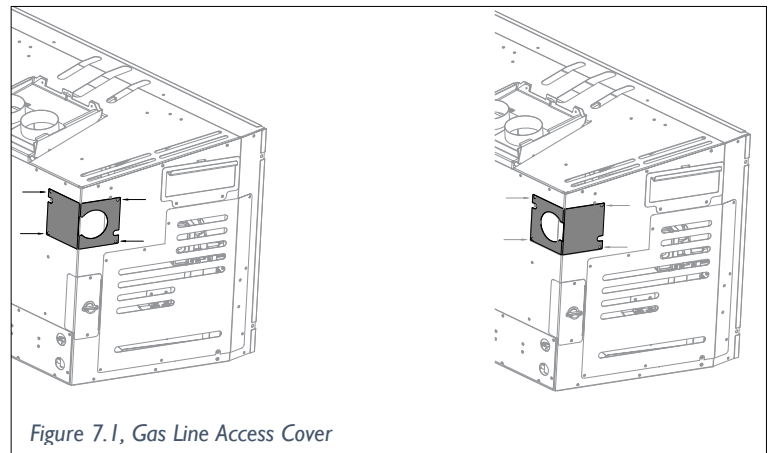


Figure 7.1, Gas Line Access Cover

Table 7.1, Inlet Gas Supply Pressures

	Natural Gas	Propane
Minimum Pressure	5" WC (1.25 kPa)	12" WC (2.99 kPa)
Maximum Pressure	10" WC (2.49 kPa)	13" WC (3.24 kPa)

## 8.0 FACING AND FINISHING

### 8.1 Facing and Finishing Requirements

**IMPORTANT:** Adequate accessibility clearances for servicing and proper operation must be maintained.

#### 8.1.1 Adjacent Sidewall Requirements

- The adjacent sidewall minimum clearance is 4" (102mm) from the appliance sides (Fig 8.1).
- Minimum clearances to a combustible mantel leg is 2" (51mm) (Fig. 8.2).

#### 8.1.2 Clearance to Ceiling

- As shown in Figure 8.1, the minimum clearance from the fireplace enclosure floor to the ceiling is 55" (1.04m).

#### 8.1.3 Mantel Requirements

**WARNING:** All minimum clearances to combustible material **MUST** be maintained.

- **Combustible Mantel Projections:** As referenced in Figure 8.4 (page 26) a 9" (229mm) mantel may start at 8-1/4" (210mm) above the top of the appliance. Mantel projections can increase 1" (25mm) of depth for every 1" (25mm) of height starting at the 9" (229mm) mantel.
- **Non-combustible Mantel Projections:** As referenced in Figure 8.4 (page 26). A minimum vertical clearance of 6" (152mm) above the appliance to a maximum 6" (152mm) depth of a non-combustible mantel. Follow projection 1" (25mm) up for every 1" (25mm) deeper.

#### 8.1.4 Hearth Requirements

**Hearth can be made of combustible materials as long as it is in front of the fireplace and flush or below the fireplace bottom**

\*Hearth can be made of combustible materials as long as it is in front of the fireplace and the top of the combustible material is flush or below the fireplace bottom

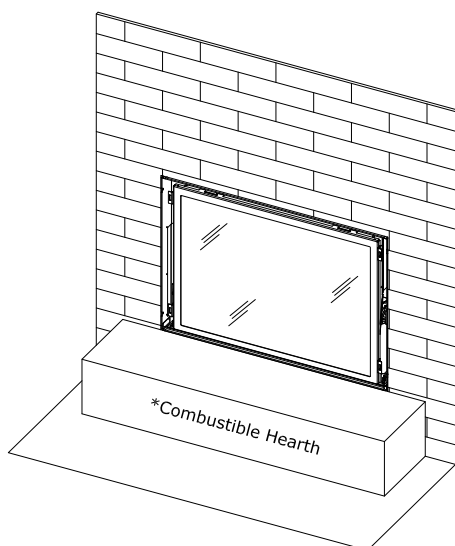


Figure 8.3, Hearth Requirements

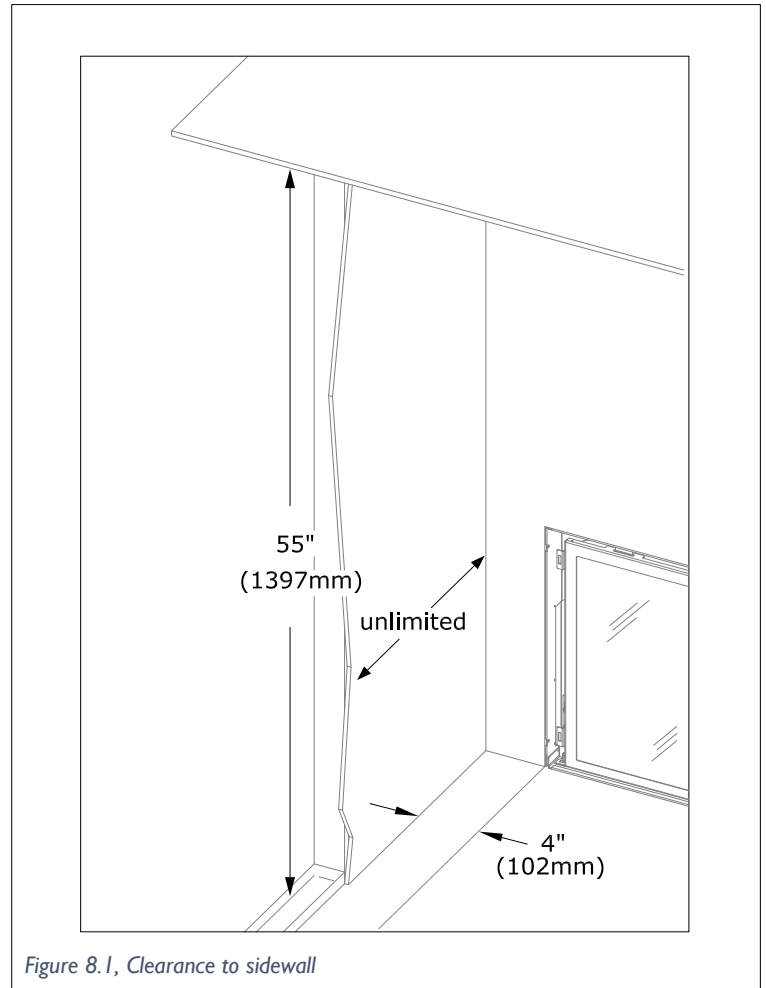


Figure 8.1, Clearance to sidewall

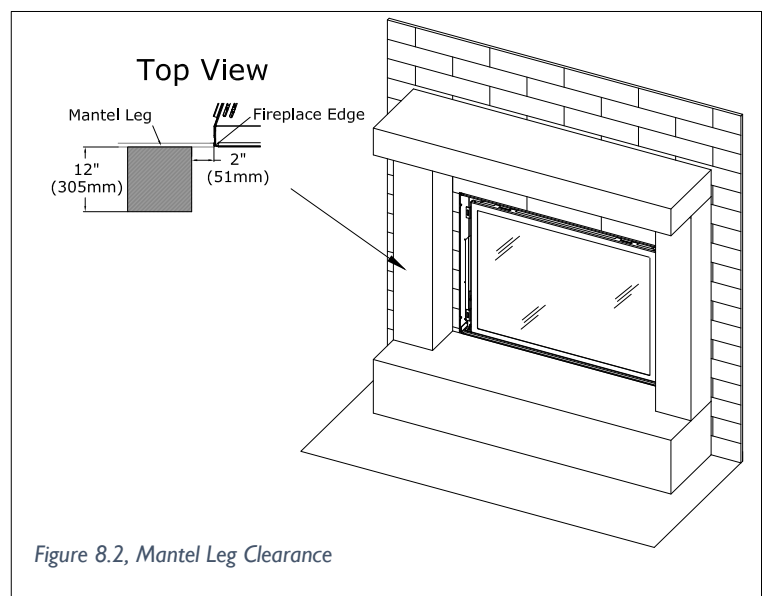
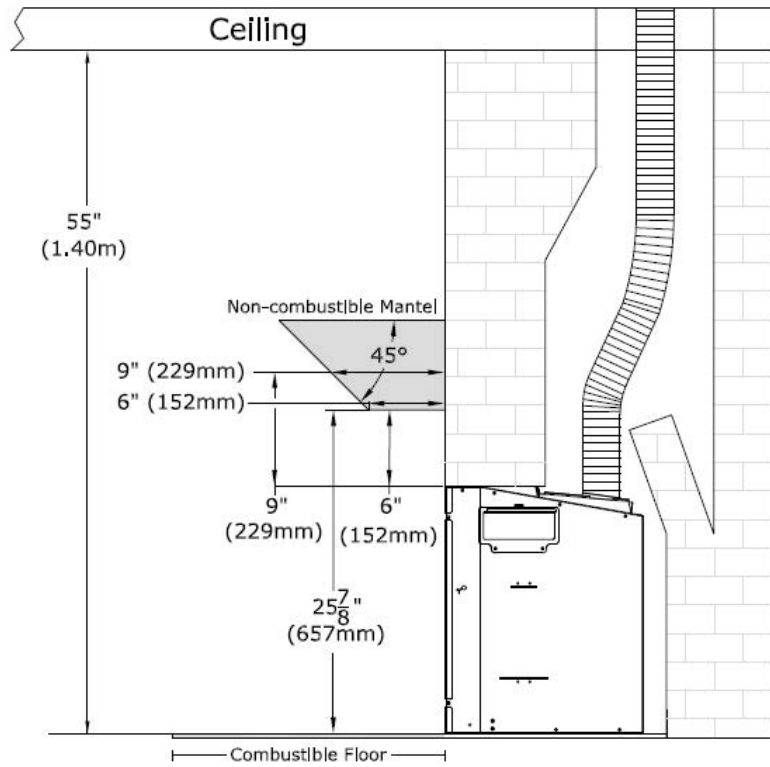


Figure 8.2, Mantel Leg Clearance



### Non-combustible Mantel



### Combustible Mantel

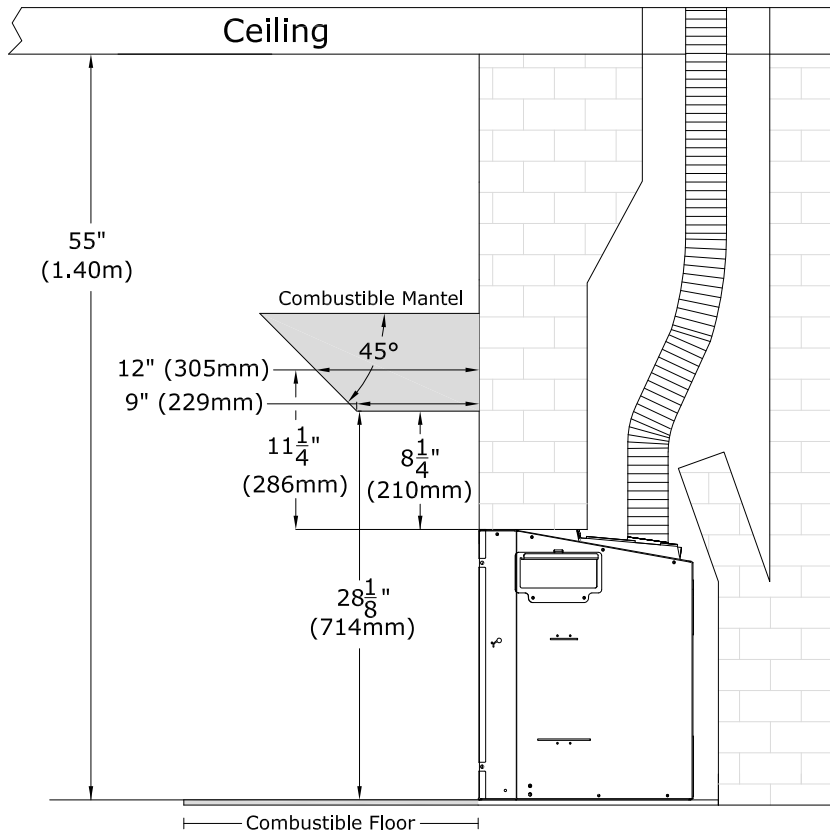


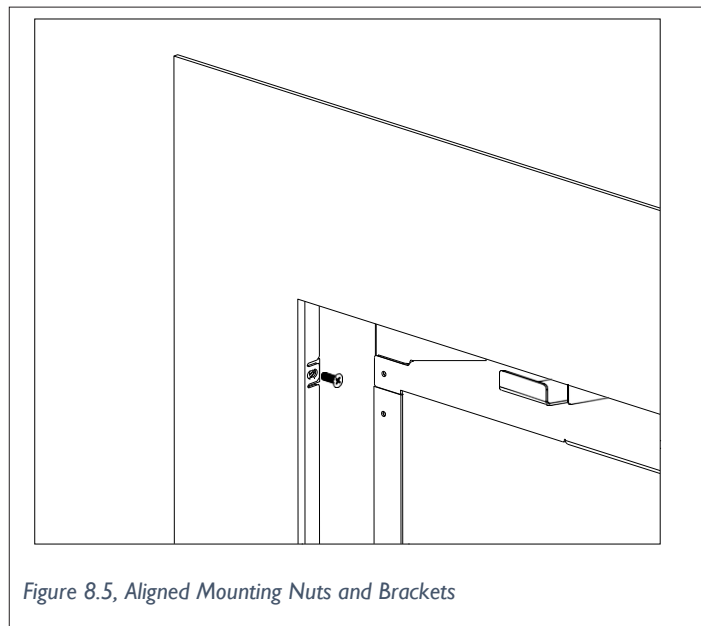
Figure 8.4, Mantel Requirements

## 8.2 Shroud Installation

**CAUTION:** Trim panels or surrounds must not seal ventilation openings in existing fireplace that this appliance is installed in. Draft relief openings must not be covered or blocked.

**WARNING:** The flow of combustion and ventilation air must not be obstructed.

1. Remove glass frame assembly.
2. Align leg section holes on the shroud to the corresponding mounting nuts in mounting brackets on each side of the insert metal cabinet.
3. Secure with (4) phillips truss head screws (provided).
4. Reinstall glass frame assembly



## 8.3 Safety Barrier Installation

1. Locate the (4) slots on the glass frame (2 each side).
  2. Align the tabs located on the back of the safety barrier with the slots on the glass frame.
  3. Raise the safety barrier slightly into the slots and allow the tabs to lower into position.
- To remove safety screen: lift the screen up and out of slots.

## 9.0 GAS FIREPLACE INSERT SET UP

### 9.1 Glass Assembly

**WARNING:** Do not operate this fireplace with the glass removed, cracked, or broken. Replacement of the glass assembly should be done by a licensed or qualified service person.

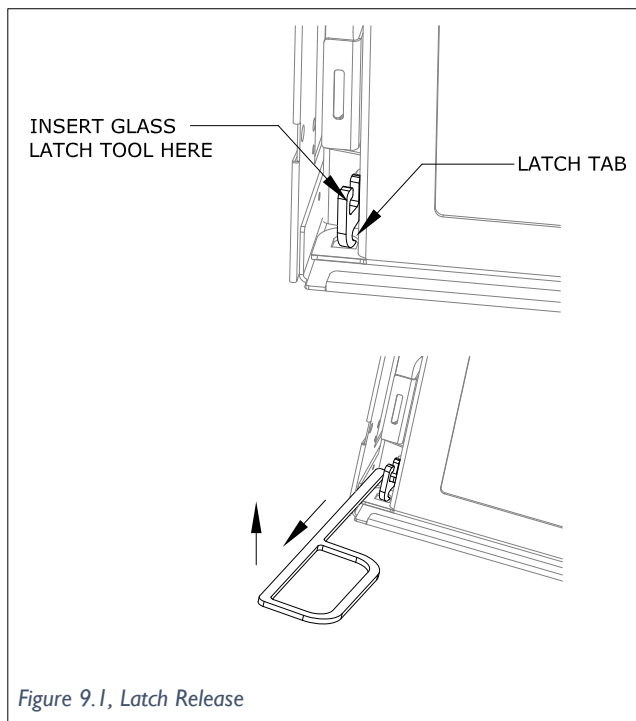
#### 9.1.1 Remove Glass Assembly

**WARNING:** Do not remove the glass assembly when hot.

1. Locate (2) spring-loaded latches securing the glass assembly at the bottom of the firebox.
2. Using the glass latch tool (included in components packet), pull the bottom latches out and up to release glass frame assembly latch tabs.
3. Lift glass assembly up and off of the (2) tabs located at the top of the firebox.

#### 9.1.2 Install Glass Assembly

1. Verify bottom latches are pushed down to allow for easier installation.
2. Align the slots on top of the glass assembly over the tabs at the top of the firebox while lowering the bottom of the glass assembly into position.
3. Using the glass latch tool, pull latches out and down over latch tabs to secure glass frame assembly bottom.



### 9.2 Light Kits

**CAUTION:** Disconnect all electrical power from the fireplace before performing this task.

**ATTENTION:** If converting to propane, complete the conversion before installing any light kit components. Follow instructions provided with the conversion kit (sold separately).

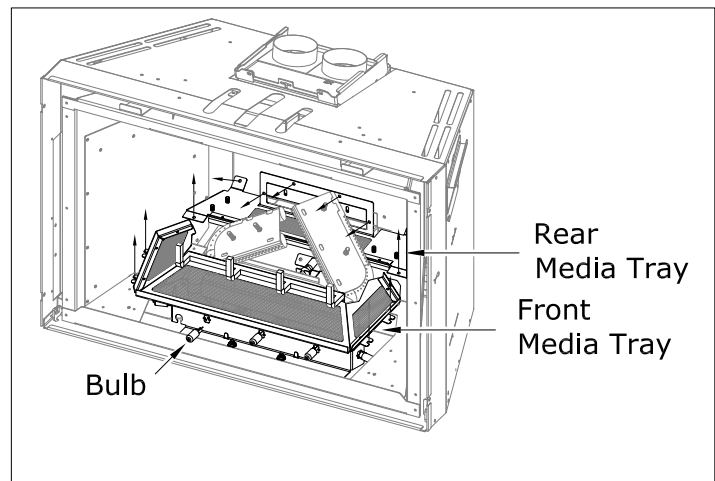
**NOTE:** To avoid damage and prolong the life of the halogen bulbs, never touch with bare hands. Always use a soft cloth when handling.

#### 9.2.1 Install Light Bulbs – Front Bottom Light Kit

1. Remove the safety barrier and glass frame assembly.
2. Remove log set, crushed glass media, and lava rock (if installed).
3. Remove and retain (4) screws from the log rack/ember media tray. Lift tray up and out of firebox.
4. Install (5) halogen bulbs (included in components packet) into the lamp bases.
5. Reinstall log rack/media tray using screws previously removed.
6. Reinstall all components previously removed.

#### 9.2.2 Install Light Bulb – Back Bottom Light Kit

1. Remove the safety barrier and glass frame assembly.
2. Remove log set, crushed glass media, and lava rock (if installed).
3. Remove and retain (4) screws from the log rack/media tray. Lift tray up and out of firebox.
4. Remove and retain (2) screws from the front light kit, remove light kit.
5. Loosen (2) 7/16” nuts for left and right burners. Remove burners.
6. Remove and retain (4) screws from the back media tray. Remove media tray.
7. Install (1) halogen bulb (included in components packet) into the lamp base.
8. Reinstall all components previously removed.



#### 9.2.3 Install light Bulb – Top Light Kit

1. Remove the safety barrier and glass frame assembly.
2. Remove the light kit cover and roped glass (4) screws.
3. Install (1) halogen bulb (included in components packet) into the lamp base.
4. Reinstall all components previously removed.

## 9.3 Panel Installation

- If converting to propane, complete the conversion before installing any refractory or black glass panels. Follow instructions included with the kit.

### BEFORE INSTALLATION:

1. Remove the safety screen barrier, glass assembly, log set, crushed glass media, and lava rock (if installed).
2. Remove media tray/log rack (4 screws).
3. Remove (2) 7/16" nuts securing light kit, move light kit aside to gain access to 7/16" nuts securing the left and right burners.
4. Loosen (2) 7/16" nuts securing burners. Remove burners.
5. Locate the (2) screws in the top front of the firebox and locate the (2) refractory clips shipped with the panels. These clips are shipped flat. Separate clips and bend the metal fingers at a 90° angle.

### 9.3.1 RT29-CB900, RT29-L900, RT29-RB900, RT29-HB900

1. Install the back panel by positioning it into the lip at the back of the firebox.
2. Install side refractory by sliding top of panel up and into position. Secure with panel clips previously bent (Figure 9.4).
3. Reinstall all components previously removed.



Figure 9.2, Refractory Panel Installation

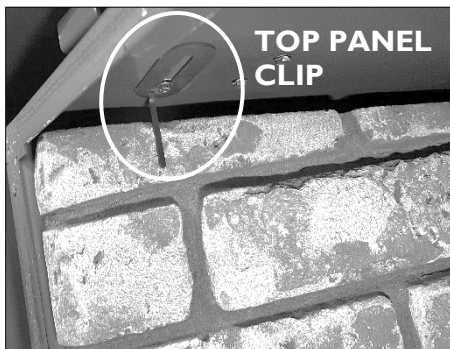


Figure 9.3, Top Panel Clip

### 9.3.2 RT29-BG900

1. Install 16-gauge backer plates on each side of the firebox. Tilt bottom of plate in first. The backer plates will install along the side of the bottom panel and sit on the firebox floor.
2. Install the back panel by positioning it into the lip at the back of the firebox.
3. Install side refractory by sliding top of panel up and into position. Slide bottom of refractory until tight to side of firebox. Secure side refractory with bottom panel clips and (4) screws (Included in kit).
4. Install top refractory clips previously bent (Figure 9.3).
5. Reinstall all components previously removed.

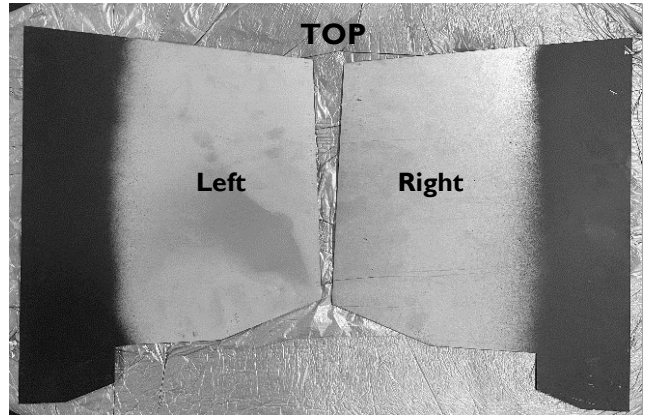


Figure 9.4, Side Backer Plates

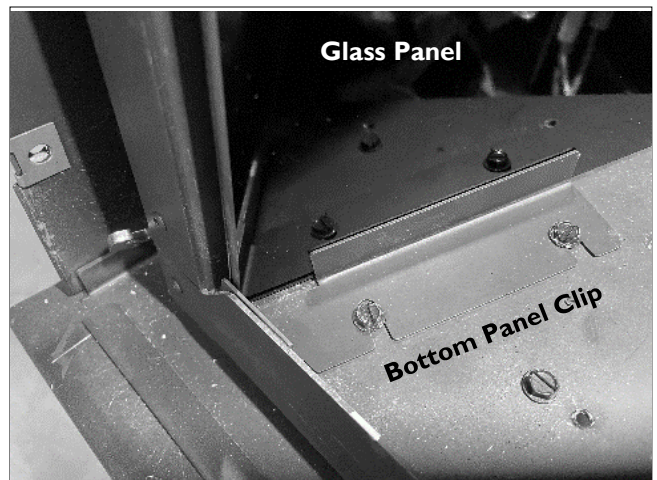
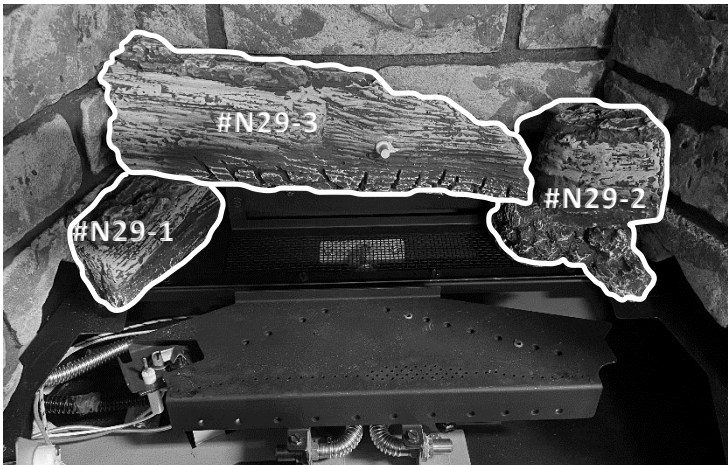
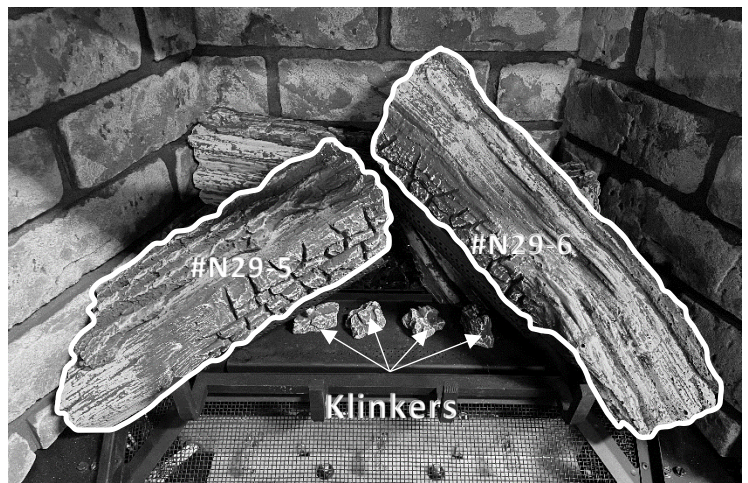
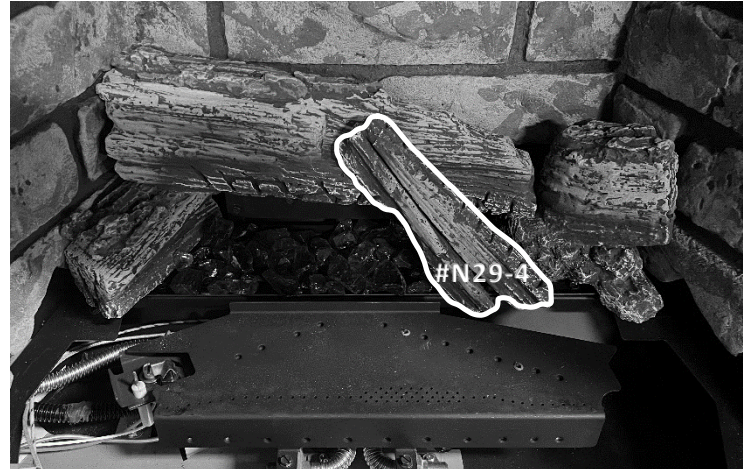


Figure 9.5, Bottom Panel Clip

## 9.4 #NK29-500 Log Set Installation

**CAUTION:** Do not place logs or klinkers directly over burner port holes. Improper log and klinker placement may affect flame appearance and may cause excessive soot to build upon the glass.

- If converting to propane, complete the conversion before installing the log set. Follow the conversion instructions included with the kit.
  - Log numbers located on the bottom of each log. Refer to the following instructions and illustrations for proper placement.
1. Remove media tray/log rack (4) screws. Remove (2) 7/16" nuts securing light kit, set light kit to the side. Loosen (2) 7/16" nuts securing left and right burners. Remove burners.
  2. Install refractory panels. Follow instructions included with the kit.
  3. Place log #N29-1 and log #N29-2 on corresponding pins on burner (not shown). Be sure to place N29-1 and N29-2 logs BEFORE placing glass media. Logs must lie flat on media tray and burners. Failure to do so will negatively affect the flame.
  4. Place log #N29-3 onto log #N29-1 aligning hole in the bottom of log #N29-3 with the corresponding pin on log #N29-1.
  5. Fill back media tray with crushed glass media. Align the hole on the back of log #N29-4 with the pin on log #N29-3
  6. Reinstall left burner assembly pushing it towards center until it stops against the rear burner, then secure. Repeat this process with the right burner assembly.
  7. Reinstall light kit and media tray/log rack.
  8. Install log #N29-5 and #N29-6 aligning holes in bottom of logs with corresponding pins on burners.
  9. Place Klinkers on burner ensuring burner ports are not covered.
  10. Fill front media tray with crushed glass media. Fill void on either side of media tray with lava rock.
  11. Place log #N29-7, #N29-8, and #N29-9 along log rack.
  12. Use a stiff or steel bristle brush to distribute rockwool embers onto the burner and logs. Use ONLY up to 1/2 the bag, save the rest for later use.



## 9.5 Control Board Removal and Installation

**WARNING:** If burner and/or pilot have been burning, use appropriate protection to avoid burns or damage to personal property before removing any components. DO NOT OPERATE THIS APPLIANCE WITHOUT THE SEALING GASKET (LOCATED UNDER THE CONTROL BOARD) IN PLACE. IF GASKETING IS DAMAGED, IT MUST BE REPLACED.

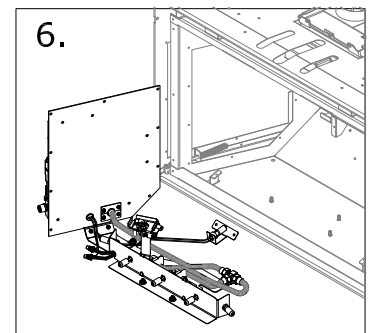
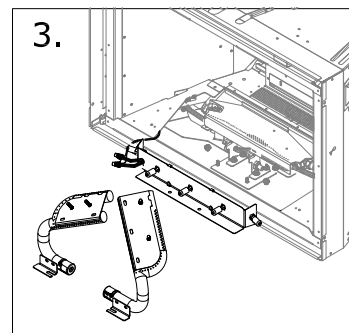
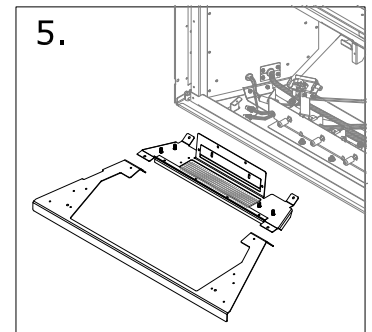
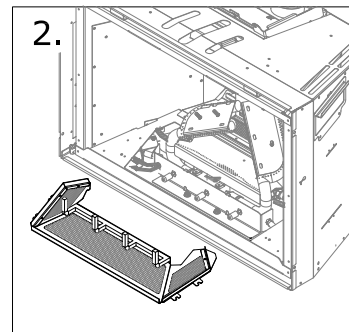
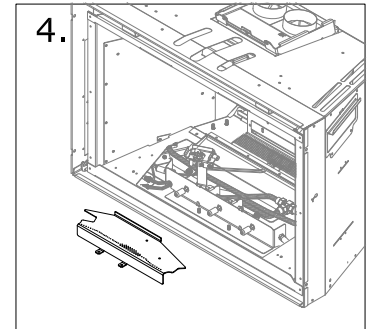
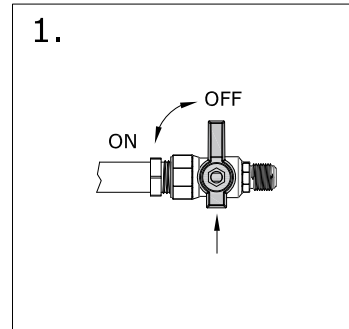
**CAUTION:** Check all connections for leaks with soapy water, whether field or factory made.

### 9.5.1 Control Board Removal

1. Disconnect electrical power. Locate the main shut-off valve upstream of the appliance connector and close valve.
2. Remove the log rack/media tray.
3. Remove front light kit (2) screws. Loosen (2) 7/16" nuts to remove
4. left and right burner assemblies.
5. Remove rear burner assembly (1) screw.
6. Remove rear burner assembly.
7. Remove (10) screws securing the control board on the left side of the firebox. Loosen 7/16" nut securing control board arm.
8. Pull out control board out to reveal gas line to disconnect the gas line flex tube from fireplace valve.

### 9.5.2 Control Board Installation

1. Place control board on the left side of the firebox and reconnect gas line to fireplace valve.
2. Verify sealing gasket is in place. Secure board with (10) screws previously removed. Tighten 7/16" nut securing control board arm.
3. Reinstall rear burner assembly.
4. Reinstall left burner assembly pushing it towards center until it stops against the rear burner, then secure. Repeat this process with the right burner assembly. Tighten previously loosened screws. Reinstall front light kit with (2) screws previously removed.
5. Reinstall log rack/media tray.
6. Reconnect electrical power.
7. Verify proper log placement, operation of fireplace, and any electrical components.



# 10.0 ELECTRICAL INFORMATION

**WARNING:** Do not use this fireplace if any part has been under water. Immediately call a qualified service technician to inspect this appliance and to replace any part of the control system and any gas control which has been under water.

**WARNING - Electrical Grounding Instructions:** This appliance is equipped with a three-prong (grounding) plug for your protection against shock hazard and should be plugged directly into a properly grounded three-prong receptacle. Do not cut or remove the grounding prong from this plug.

## 10.1 Electrical Specifications

This appliance, when installed, must be electrically grounded in accordance with local codes, or in the absence of local codes, with

the National Electrical Code, ANSI/NFPA 70, or the Canadian Electrical Code, CSA C22.1.

## 10.2 Wiring Requirements

- The Komfort 8K system requires 120 VAC of electricity and/or batteries to operate.
- Using the battery backup will operate flame modulation of the burner.
- Fan and light components will not function on battery back up power

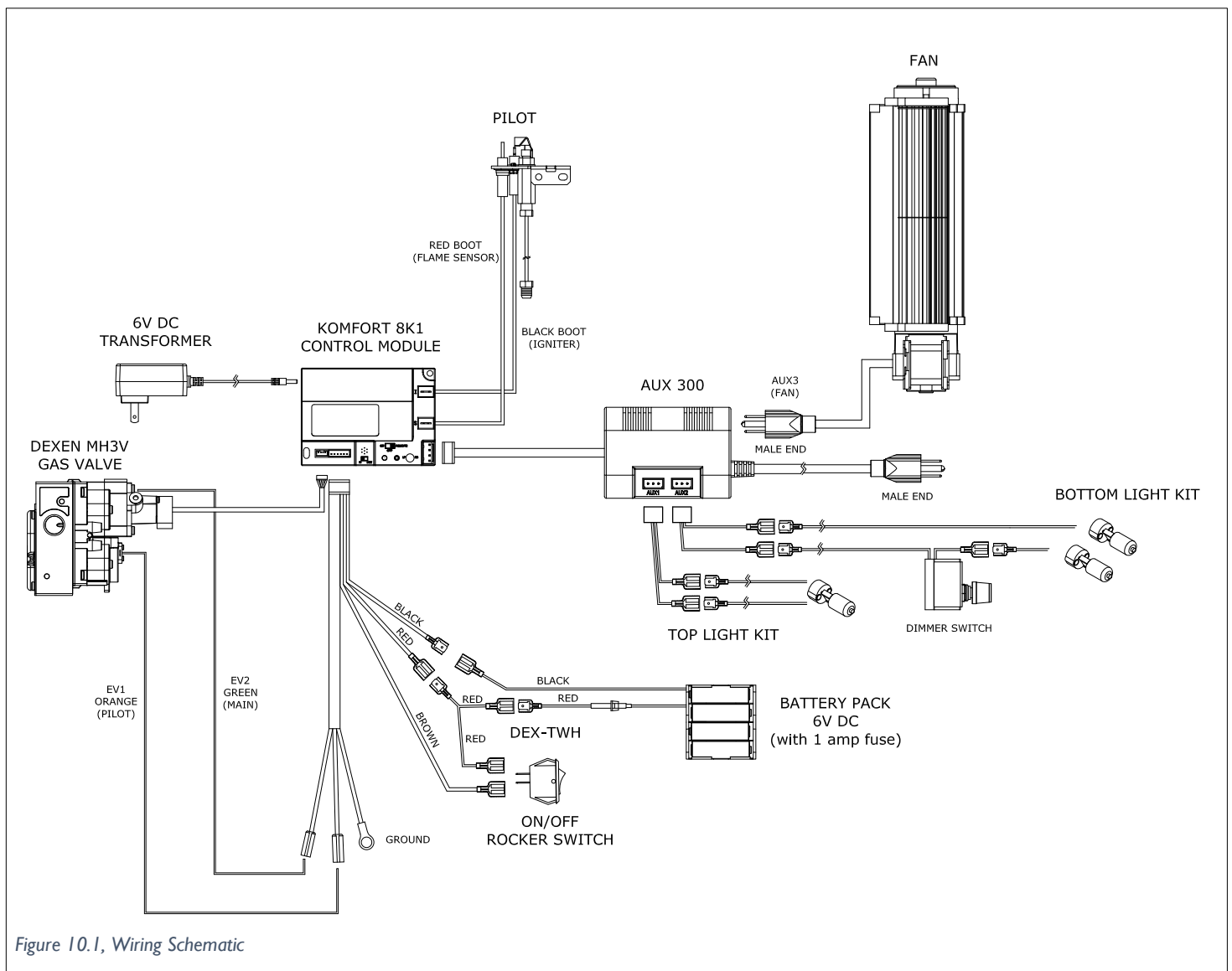


Figure 10.1, Wiring Schematic

# 11.0 OPERATING INSTRUCTIONS

## FOR YOUR SAFETY READ BEFORE OPERATING

**WARNING:** If you do not follow these instructions exactly, a fire or explosion may result causing property damage, personal injury, or loss of life.

- A. This appliance is equipped with an ignition device which automatically lights the pilot. Do not try to light the pilot by hand.
- B. **BEFORE OPERATING** smell around the appliance area for gas. Be sure to smell next to the floor because some gas is heavier than air and will settle on the floor.

### WHAT TO DO IF YOU SMELL GAS

- Do not try to light any appliance.
- Do not touch any electric switch; do not use any phone in your building.
- Immediately call your gas supplier from a neighbor's phone

Follow the gas supplier's instructions.

- If you cannot reach your gas supplier, call the fire department.
- C. Use only your hand to turn the gas control manual valve. Never use tools. If the valve will not turn by hand, do not try to repair it; call a qualified service technician. Force or attempted repair may result in a fire or explosion.
- D. Do not use this appliance if any part has been under water. Immediately call a qualified service technician to inspect the appliance and to replace any part of the control system and any gas control that has been under water

### WARNING

Do not operate appliance with the glass front removed, cracked, or broken. Replacement of the glass should be done by a licensed or qualified service person.

Under no circumstances should any solid fuel (wood, coal, paper, cardboard, etc.) be used in this appliance.



Children and adults should be alerted to the hazards of high surface temperature and should stay away to avoid burns or clothing ignition

### CAUTION

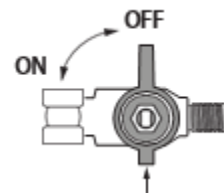
Clothing or other flammable material should not be placed on or near the appliance.

Young children should be carefully supervised when they are in the same room as the appliance. Toddlers, young children and others may be susceptible to accidental contact burns. A physical barrier is recommended if there are at risk individuals in the house. To restrict access to a fireplace or stove, install an adjustable safety gate to keep toddlers, young children and other at risk individuals out of the room and away from hot surfaces

## OPERATING INSTRUCTIONS

1. STOP! Read all the safety information above on this page.
2. Press the wireless remote POWER button.
3. Turn off all electric power to the appliance.
4. This appliance is equipped with an ignition device which automatically lights the pilot. Do not try to light the pilot by hand.
5. Locate the manual valve installed by your qualified service technician.
6. Turn the manual valve clockwise  to the OFF position.
7. Wait five (5) minutes to clear out any gas. Then, smell for gas, including near the floor. If you smell gas, STOP! Follow 'B' in the safety information above. If you do not smell gas, go to the next step.
8. Turn the manual valve counterclockwise  to the ON position.

9. Turn on electric power to the appliance.
10. Press the wireless remote POWER button.
11. If the appliance will not operate, follow the instructions, "To Turn Off Gas To Appliance" and call your service technician or gas supplier.



## TO TURN OFF GAS TO APPLIANCE

1. Press the wireless remote POWER button.
2. Turn off all electric power to the appliance if service is to be performed.
3. Locate the manual valve installed by your qualified service technician.
4. Turn the manual valve clockwise  to OFF position.

### NOTE

When this fireplace is initially lit, condensation will appear on the glass. This is normal in all gas fireplaces and will disappear after several minutes. A paint smell will occur during the first few hours of burning. It is recommended to leave the fan off during this period to help speed the paint curing process.

This fireplace may produce noises of varying degree as it heats and cools due to metal expansion and contraction. This is normal and does not affect the performance or longevity of the fireplace.

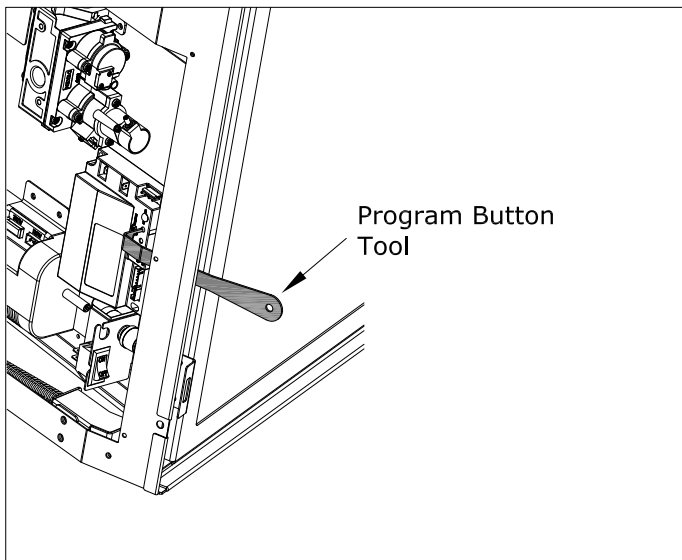


## 11.1 Setup Komfort 8K Control Module

1. Set the main ON/OFF rocker switch in the OFF position.
2. Remove the remote control components from packaging.
3. Install (3) AAA batteries (included in the components packet) in the remote control battery bay.
4. Connect the transformer to an AC power supply.

## 11.2 Initialize the Komfort 8K Control System

1. Verify the ON/OFF/REMOTE switch is in the REMOTE position. A green LED will illuminate and blink three times.
2. Using the Program Button Tool (provided in the components packet), press and release the LEARN button located near the ON/OFF/REMOTE switch.
3. The control module will beep once and illuminate a green LED for 10 seconds.
4. When the green LED is blinking, press the POWER button on the remote control. The control module will emit a double beep to indicate that the remote is initialized to the control system.



## 11.4 Backup Battery Operation

*Only install backup batteries in power outages only. Do not leave batteries installed in the backup battery pack.*

This appliance will operate on the backup battery pack in a power outage. The lifespan of the backup batteries depends on various factors, such as the quality of the batteries, number of ignitions, etc.

There is a cut-out opening located on the control module housing that holds the black and red wiring connectors for the back-up battery pack. See **FIGURE 11.1**.

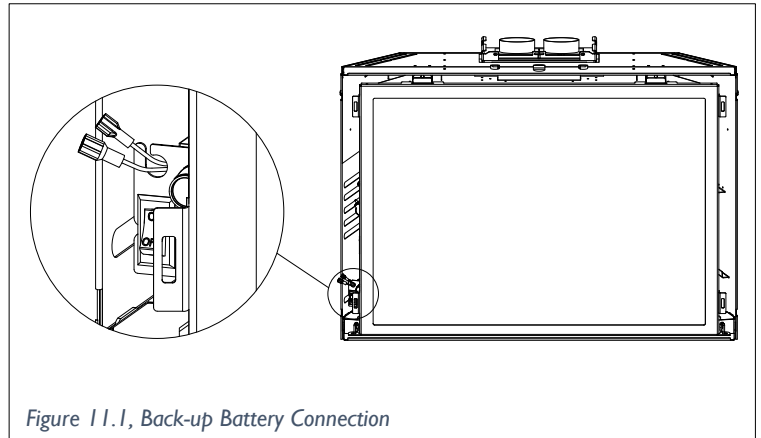


Figure 11.1, Back-up Battery Connection

## 11.3 Automatic Safety Turn-off

This system will execute an automatic turn OFF command after 8 hours of continuous main burner operation.

## 11.5 Komfort 8K Control System Ignition Sequence

The Komfort 8K control module will attempt (1) time for ignition, for approximately 60 seconds.

If there is no flame ignition (rectification) within the (60) second time frame, the Komfort 8K system will go into a lockout. The control module will display an error code (see section 11.5.1), followed by a blinking red/green LED, indicating a system lockout.

### 11.5.1 Reset Control Module after Lockout

- Use either of the following two methods:

#### 11.5.1.1 Disconnect Power Supply

- Disconnect the power supply to the control module. After approximately (5) second, reconnect power supply.

#### 11.5.1.2 ON/OFF/REMOTE Switch

- Turn the ON/OFF/REMOTE switch on the control module to OFF. Wait approximately (5) seconds and turn the ON/OFF/REMOTE switch to REMOTE. The control module will illuminate a green LED (2) times and emit a beep.
- Turn the ON/OFF/REMOTE switch on the control module to OFF. Wait approximately (5) seconds and turn the ON/OFF/REMOTE switch to ON. The control module will illuminate a green LED (2) times and emit a beep. The ignition sequence will start again

## 11.6 Additional Diagnostic Information

Diagnostic codes are outlined below and should be used as an additional troubleshooting tool.

Red LED will blink (1) time, then a red/green LED blink (lockout)

- Error caused by fuel-type selector switch is in incorrect position or fuel-type selector switch is damaged. Verify selector is in correct position. If condition persists, replace the control module.

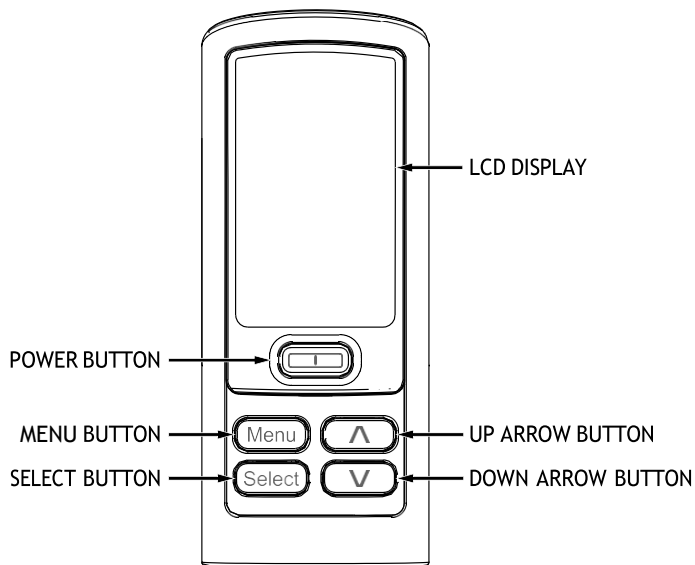
Red LED will blink (2) times, then a red/green LED blink (lockout)

- Error caused by Insufficient voltage from ignition coil to pilot flame igniter. Clear the lockout (see section 11.5.1 above) and attempt ignition. If condition persists, replace the control module.

Red LED will blink (3) times, then a red/green LED blink (lockout)

- Error caused by inadequate gas supply. Verify proper inlet pressure to the gas line.
- Error caused by detection of false flame or short in sensor lead. Verify that pilot leads are correctly terminated to the control module, and that no shorted wires exist.
- Error caused by sense and/or igniter lead disconnected. Verify that the pilot sensor rod, igniter rod, and hood are clean.

## Komfort 8K Remote Control



## Remote Control Display

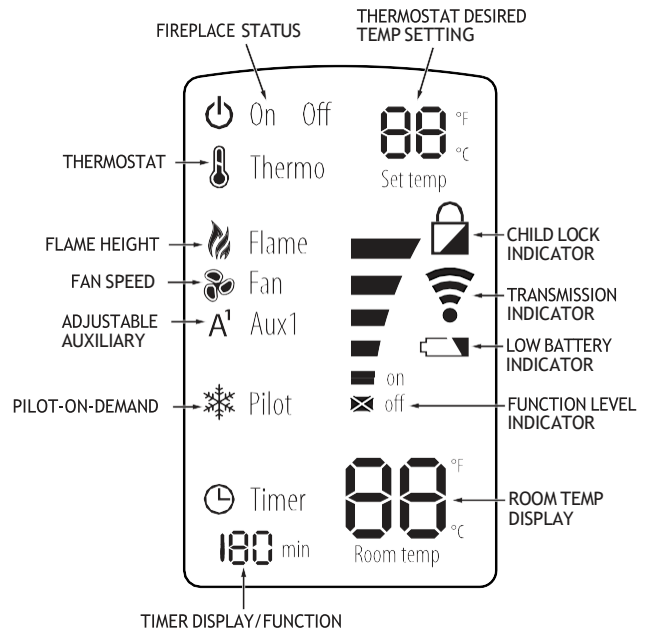
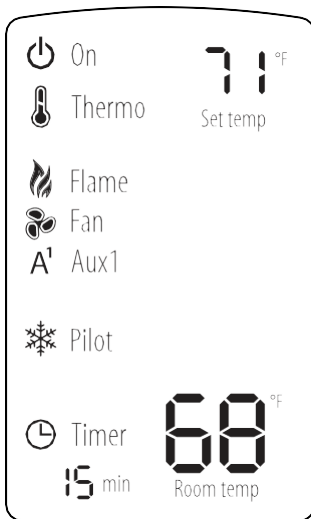


Figure 11.2, Komfort 8K Remote Control and Remote Control Display

## 11.7 Remote Control Operation

### 11.7.1 Idle Mode

The remote control will go into an idle mode when the remote is ON if no buttons are pressed within (5) seconds. Press any button to resume full functionality. In idle mode, only active functions will show on the screen.



### 11.7.2 Standby Mode

The remote control will go into a standby mode if no buttons are pressed within (5) minutes. Press the POWER button to reactivate the remote control to ON mode. Active functions will be displayed once in ON mode.



### 11.7.3 Temperature Display

To change the temperature display between Celsius and Fahrenheit,

Remove the battery cover from the back of the control. Slide the switch to desired temperature scale. Reinstall batteries and battery cover.



### 11.7.4 Child Lock

To lock the remote to avoid unsupervised operation, Press and hold the MENU and UP arrow buttons simultaneous for 4 seconds to enable or disable the child lock feature.



### 11.7.5 Turn ON the Appliance

With the system in the OFF position, press the remote control POWER button to turn ON the appliance.

- The appliance will attempt to ignite the pilot (if Pilot-on-Demand function is OFF). Once the pilot flame is rectified, the main burner will ignite.
- Whenever the appliance is cycled from OFF to ON, the main burner will light on high for 10 seconds before returning to the previous user setting.
- All functions can be accessed when the remote control is ON. Only active functions will be displayed when the remote control is ON.
- The transmission indicator icon will flash, and a single beep will confirm the reception of the command.

### 11.7.6 Turn OFF the Appliance

With the system in the ON position, press the remote control POWER button to turn OFF the appliance.

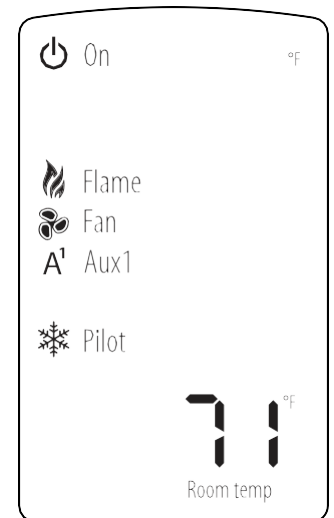
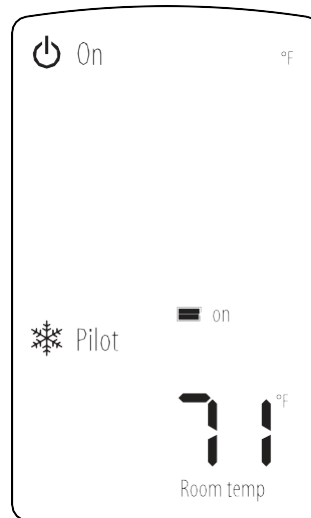
- Functions AUX1, AUX2, and Pilot-on-Demand can be accessed when the remote control is OFF. Only active functions will be displayed when the remote control is OFF.
- The transmission indicator icon will flash, and a single beep will confirm the reception of the command.

### 11.7.7 Pilot Ignition Selection (Intermittent or Pilot-on-Demand)

This system has the option of a pilot-on-demand, allowing the system to change from a spark-to-pilot system to the pilot-on-demand option. The pilot-on-demand will keep the firebox warm and establish a draft in the vent, which allows the main burner to ignite with less air-flow disruption.

To select the preferred

1. Press the MENU button to activate the menu.
  2. Using the UP and DOWN arrows, highlight the PILOT icon and press SELECT.
  3. Use the UP and DOWN arrows to turn the pilot-on-demand ON or OFF, then press SELECT.
- The transmission indicator icon will flash, and a single beep will be emitted from the control module indicating pilot-on-demand feature has been activated. The remote control screen will display the snowflake with text PILOT icon.
  - The transmission indicator icon will flash, and a double beep will be emitted from the control module indicating the pilot-on-demand feature has been deactivated. The remote control will not display the snowflake with text PILOT icon.

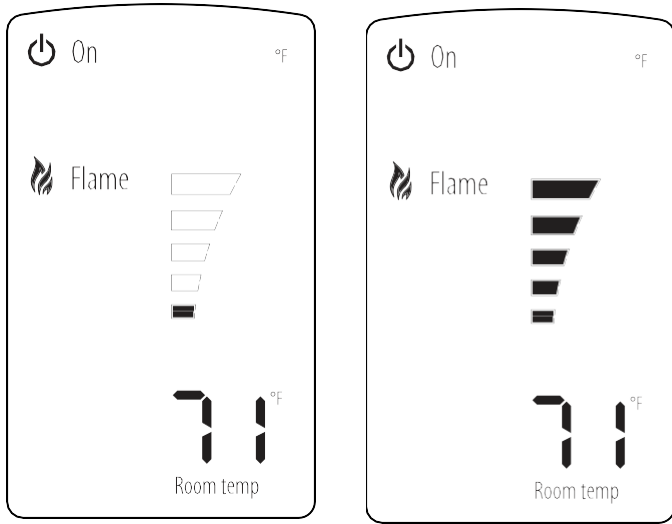


## 11.7.8 Flame Adjustment

This control system has (5) flame levels. Flame height will not be adjustable for the first (10) seconds when the appliance is turned ON. The control system will remember the previous flame level setting and will automatically adjust after (10) seconds.

To adjust the flame level.

1. Press the MENU button to activate the menu.
  2. Using the UP and DOWN arrows, highlight the FLAME icon and press SELECT.
  3. Use the UP and DOWN arrows to adjust the flame level to desired setting, then press SELECT.
- The transmission indicator icon will flash, and a single beep will confirm the reception of the command.



## 11.7.9 Thermostat Operation

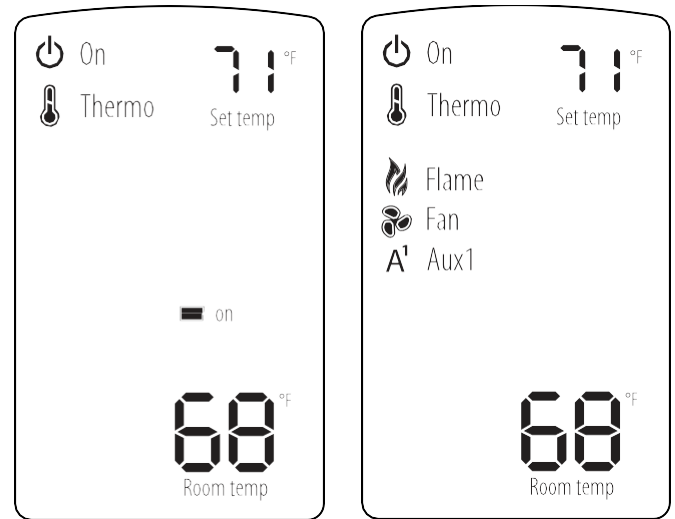
The remote control can operate as a room thermostat. The thermostat can be set to a desired temperature to control a room's comfort level.

This control system requires a two-degree Fahrenheit or higher temperature difference between the room temperature and set temperature for the fireplace to turn on.

The system will remember the previous temperature setting when thermostat mode is cycled ON or OFF.

To activate this function.

1. Press the MENU button to activate the menu.
  2. Using the UP and DOWN arrows, highlight the THERMO icon and press SELECT.
  3. Use the UP and DOWN arrows to turn the THERMO ON or OFF, then press SELECT. The SET TEMP will start blinking. Using the UP and DOWN arrows, select the desired temperature and press SELECT.
- If the thermostat function is on, the set temperature can be adjusted at any time by pressing the UP and DOWN arrows
  - As the room temperature approaches the set temperature, the remote system will automatically adjust the flame height.
  - If the room temperature rises above the set temperature, the fireplace will shut down the main burner. The fireplace will turn back on after the room temperature drops below the set temperature.



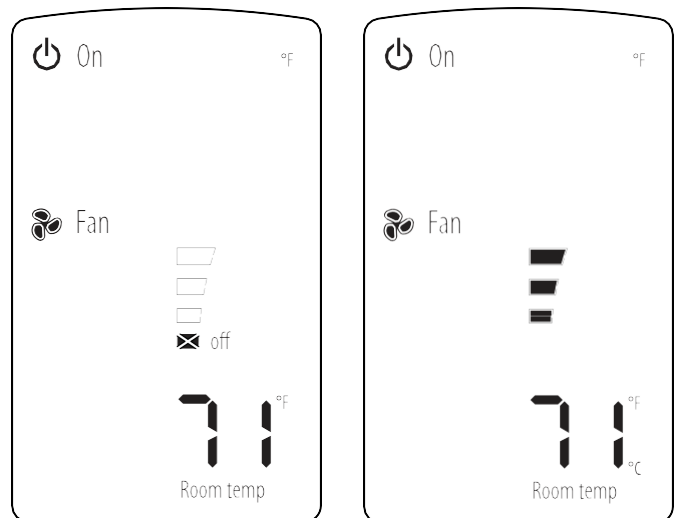
## 11.7.10 Fan Speed Control (optional)

The fan speed can be adjusted through (3) speeds: HIGH, MEDIUM, LOW.

The fan is controlled by a timer built into the control module. After the fireplace is turned ON, the timer will wait for (3) minutes before turning on the fan. After the fireplace is turned OFF, the fan will remain on for (12) minutes.

To activate this function.

1. Press the MENU button to activate the menu.
  2. Using the UP and DOWN arrows, highlight the FAN icon and press SELECT.
  3. Use the UP and DOWN arrows to adjust to desired fan speed, then press SELECT.
- The transmission indicator icon will flash, and a single beep will confirm the reception of the command.



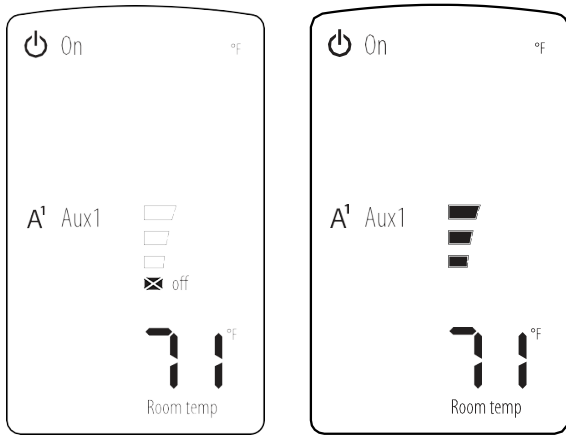
### 11.7.11 AUX1 Function (Top Light Kit)

The light kit intensity can be adjusted through (4) levels: HIGH, MEDIUM, LOW, and OFF.

The system will remember the previous AUX1 setting from the menu. However, when the appliance is turned OFF, AUX1 function will be turned off. AUX1 can be activated when the remote control is OFF. When the appliance is turned back ON, the AUX1 setting will be restored to the previous ON setting.

To activate this function,

1. Press the MENU button to activate the menu.
2. Using the UP and DOWN arrows, highlight the AUX1 icon and press SELECT.
3. Use the UP and DOWN arrows to adjust to desired light kit intensity.
- The transmission indicator icon will flash and a single beep will confirm the reception of the command.



### 11.7.12 AUX2 Function (Ember Bed Light Kit)

The ember bed light kit can be turned on and off using the AUX2 function. The system will remember the previous AUX2 setting from the menu. However, when the appliance is turned OFF, AUX1 function will be turned off. AUX2 can be activated when the remote control is OFF. When the appliance is turned back ON, the AUX1 setting will be restored to the previous ON setting.

To activate this function,

1. Press the MENU button to activate the menu.
2. Using the UP and DOWN arrows, highlight the AUX2 icon and press SELECT.
3. Use the UP arrow to turn "ON" and the DOWN arrow to turn "OFF".
- The transmission indicator icon will flash and a single beep will confirm the reception of the command.

#### Adjust Ember Bed Light Kit Intensity (after turning "ON")

The ember bed light kit intensity can be adjusted by using the ember bed light kit modulator knob located on the left side of the firebox (FIGURE 11.3). To adjust,

1. Remove the safety barrier screen by lifting the screen up and out of the slots.
2. Turn the knob counterclockwise to decrease the light intensity.
3. Turn the knob clockwise to increase the light intensity.
4. Reinstall safety barrier screen when finished.

### 11.7.13 Timer Adjustment

This control system has the option to set a timer function to turn OFF the main burner operation. The timer operates in increments of 15, 30, 45, 60, 90, 120, and 180 minutes.

To activate this function,

1. Press the MENU button to activate the menu.
2. Using the UP and DOWN arrows, highlight the TIMER icon and press SELECT.
3. Use the UP and DOWN arrows to turn the TIMER ON or OFF, then press select.
4. Using the UP and DOWN arrows, select the desired set time and press SELECT.
- The transmission indicator icon will flash to confirm the reception of the command.

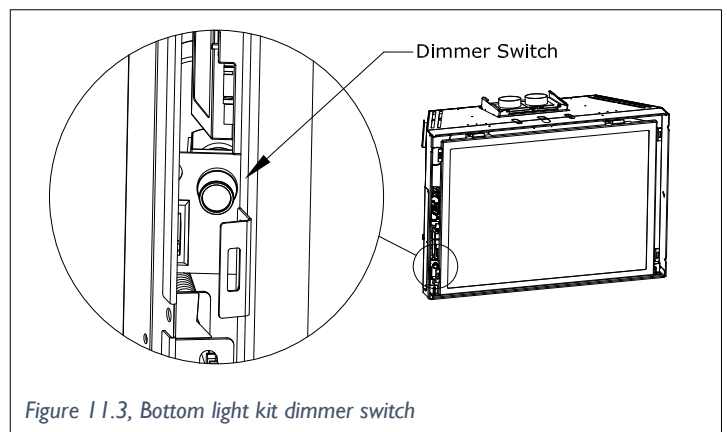
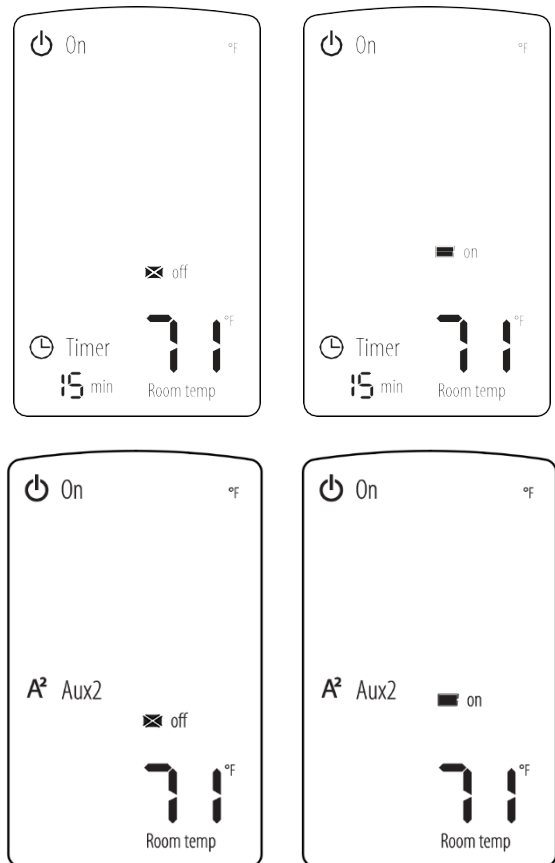


Figure 11.3, Bottom light kit dimmer switch

# 12.0 ADJUSTMENT

## 12.1 Pressure Testing

**NOTE:** This appliance and its appliance main gas valve must be disconnected from the gas supply piping system during any pressure testing of the system at test pressures in excess of ½ psi (3.5 kPa).

**IMPORTANT:** Pressure check taps for manifold (outgoing) and inlet (incoming) pressure have been incorporated into the valve. The pressure tap marked OUT measures outgoing pressure. The pressure tap marked IN measures incoming pressure.

### 12.1.1 Inlet Pressure Test

**NOTE:** Make sure to apply these incoming pressure test with all other gas appliances on, or at full capacity in the house for proper pressure reading.

**IMPORTANT:** If the inlet pressure reading is too high or too low, contact the gas company. Only a qualified gas service technician should adjust incoming gas pressure.

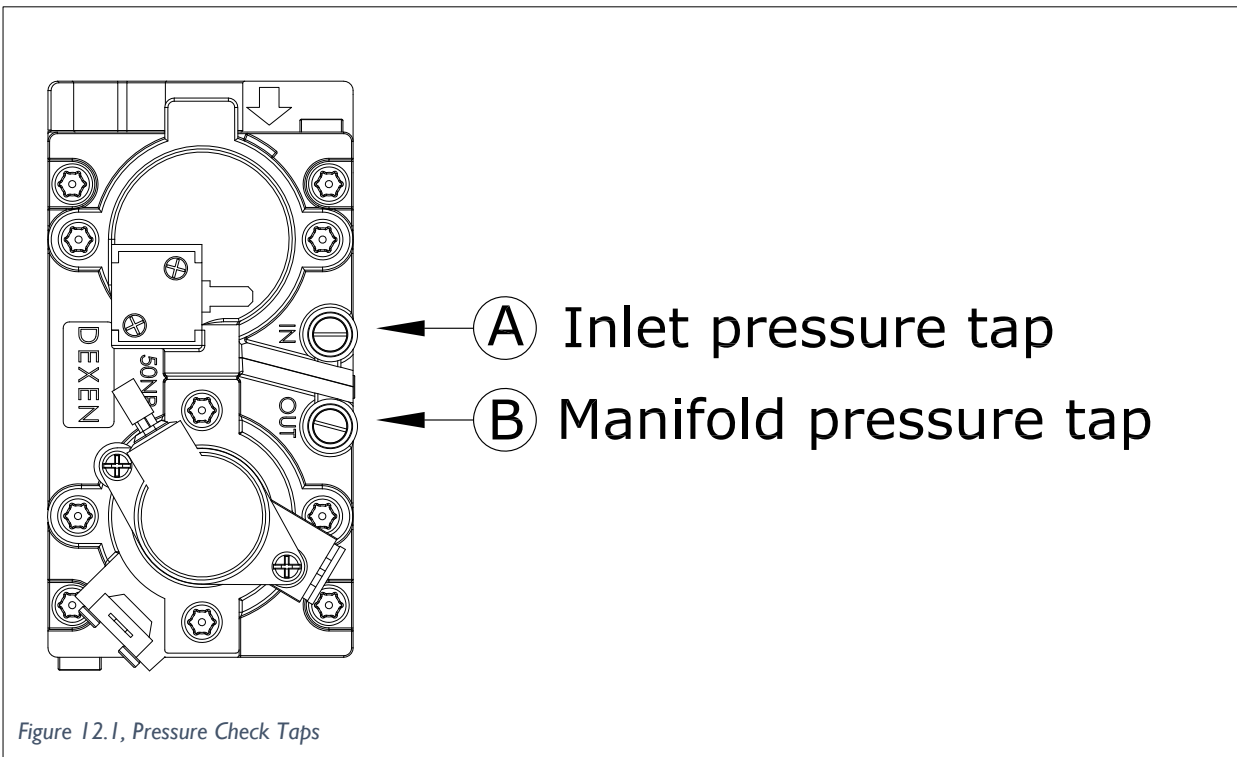
1. Loosen the inlet (IN) pressure tap by turning screw counter-clockwise. See (A) in FIGURE 12.1.
2. Attach manometer using a ¼” (6 mm) I.D. hose.
3. Light pilot and burner. Check pressure to ensure it is between the minimum and maximum recommended pressure settings.
4. Turn off burner and pilot
5. Disconnect hose and tighten the inlet (IN) pressure tap by turning screw clockwise. Screw should be snug. Do not over tighten.
6. Relight pilot and burner. Then reattach manometer to the inlet pressure tap (A) to verify the tap is completely sealed. Manometer should read no pressure.

### 12.1.2 Manifold Pressure Test

1. Light Pilot
2. Loosen manifold (OUT) pressure tap by turning screw counter-clockwise. See (B) in FIGURE 12.1.
3. Attach manometer to pressure tap using a ¼” (6 mm) I.D. hose.
4. Light burner. Check manometer reading.
5. Turn burner and pilot off.
6. Disconnect manometer hose and tighten the manifold (OUT) pressure tap by turning screw clockwise. Screw should be snug. Do not over tighten.
7. Attach the manometer to the manifold pressure tap (B) to verify it is completely sealed. The manometer should read no pressure when pilot and burner are on

	Natural Gas	Propane
Gas Supply	Min - Max	Min - Max
Inlet Pressure Tap (A)	5” - 10” WC (1.25 - 2.49 kPa)	12” - 13” WC (2.99 - 3.24 kPa)

	Natural Gas	Propane
Gas Supply	Low - High	Low - High
Manifold Pressure Tap (B)	1.0” - 3.5” WC (0.24 - 0.87 kPa)	2.7” - 10” WC (0.67 - 2.49 kPa)



## 12.2 Flame Appearance Adjustment

**WARNING:** To avoid property damage or personal injury, allow the fireplace ample time to cool before making any adjustments.

Burner flame appearance and characteristics are affected by altitude, fuel quality, venting configuration, and other factors. After installation, this appliance may need additional adjustments to achieve optimum flame appearance and visual aesthetics.

### 12.2.1 Burner Venturis

**WARNING:** VENTURI ADJUSTMENT MUST BE DONE BY A QUALIFIED SERVICE TECHNICIAN.

**NOTE:** Burner venturi air shutter settings have been factory set. Refer to TABLE 12.3.

When this appliance is first lit, the burner flames will appear blue. During the first 15 minutes of operation, flame appearance will gradually turn to the desired yellow appearance. If the flames remain blue or become dark orange with evidence of sooting (black tips), adjustment of the air shutter opening may be necessary.

Regardless of venturi orientation, closing the air shutter will achieve a desired yellow flame, but may produce soot on the glass. Opening the air shutter will cause a short, blue flame that may lift off the burner.

### 12.2.2 Venturi Opening Adjustments

**IMPORTANT:** Slight adjustments to the venturi opening will create dramatic results. Adjust at slight increments until desired look is achieved.

1. Remove the safety barrier, glass frame assembly, glass media, and lava rock (if installed).
2. Remove media tray.
3. Loosen the screw on burner venturis and adjust as necessary. Re-tighten screws.
4. Reinstall all components previously removed.

	Natural Gas	Propane
Left Burner	1/8" (3mm)	3/8" (10mm)
Right Burner	1/8" (3mm)	3/8" (10mm)
Center Burner	5/8" (16mm)	5/8" (16mm)

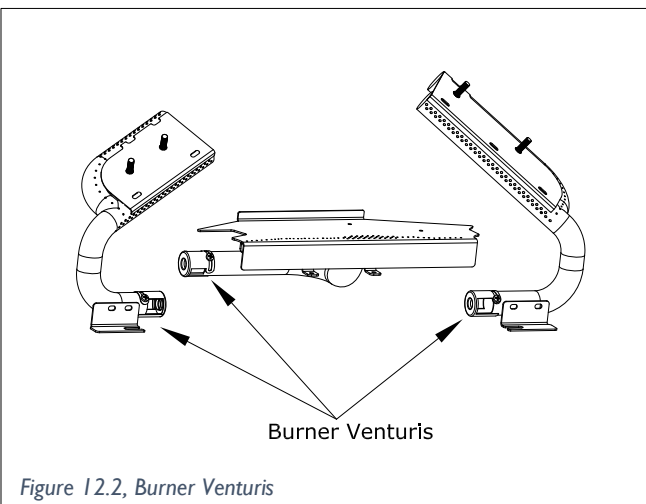


Figure 12.2, Burner Venturis

Flame Characteristic	Cause	Solution
Dark, orange flame with black tips	Venturi closed too far	Open venturi slightly
Short, blue flames	Venturi open too far	Close setting slightly
Lifting (ghosting) flames	Gas pressure too high Venturi closed too far	Check manometer settings Open venturi setting slightly

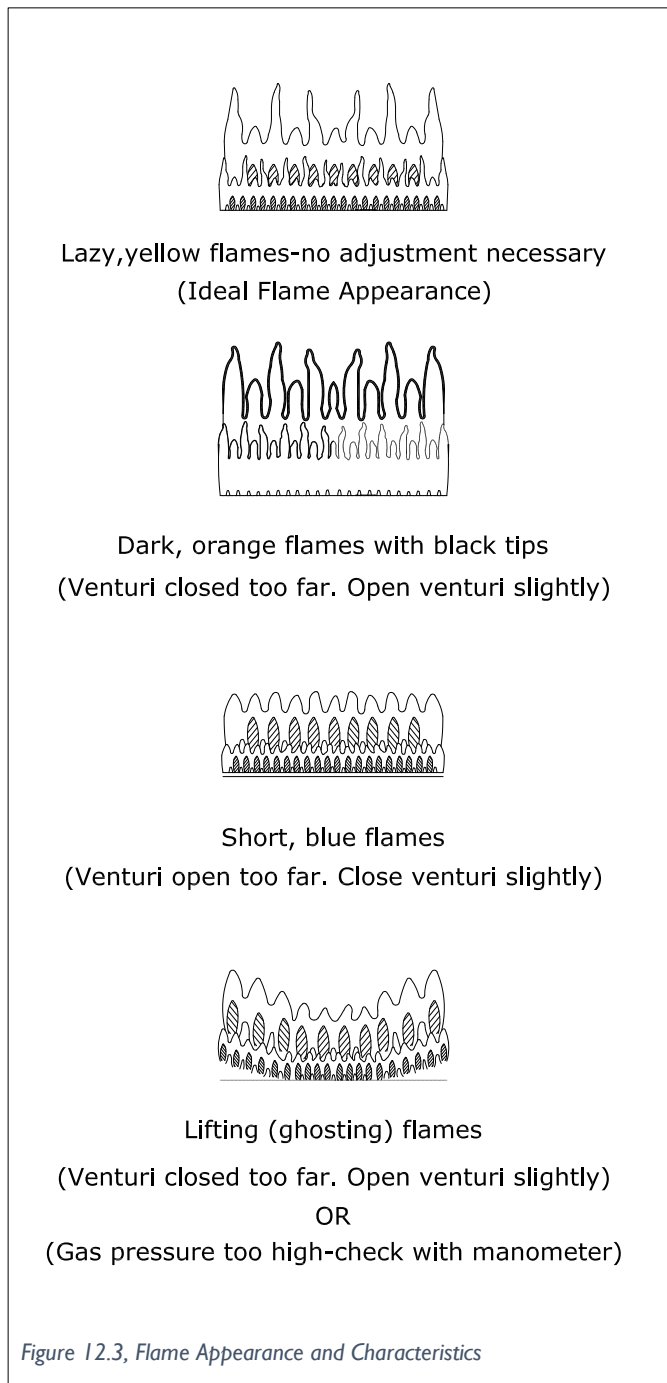


Figure 12.3, Flame Appearance and Characteristics

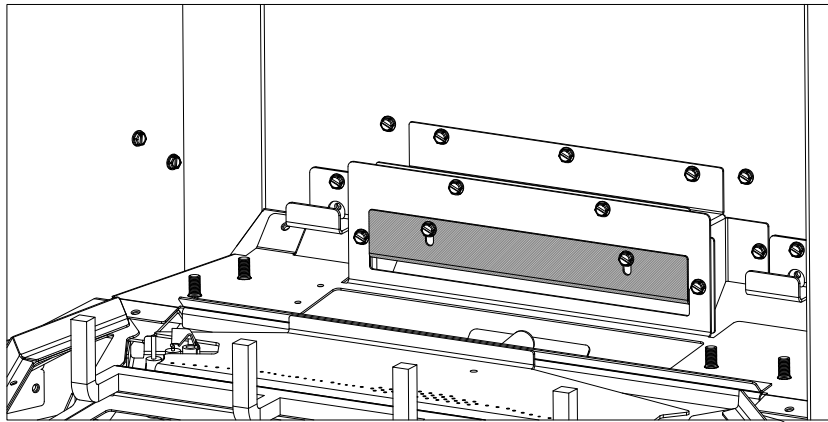


## 12.3 Air Intake Restrictor Positioning

To adjust the air restrictor, loosen the two screws securing the restrictor.

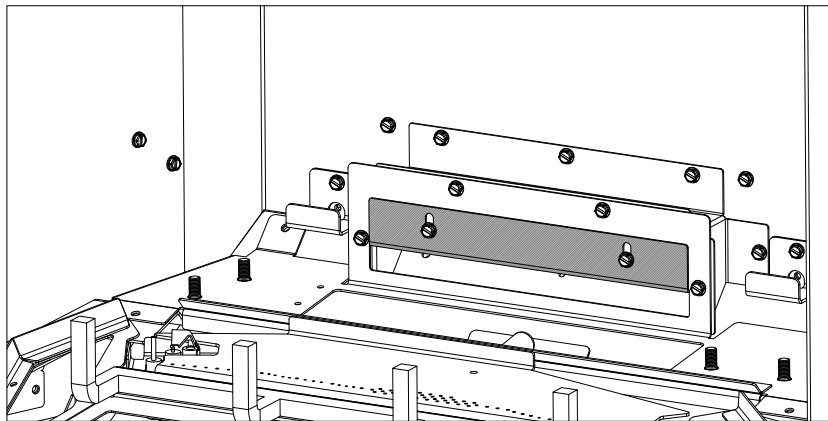
# Natural Gas

Intake Restrictor at  $\frac{1}{4}$ " open  
(as shipped)



# Propane

Intake Restrictor at  $\frac{1}{2}$ " open



# 13.0 TROUBLESHOOTING

**ATTENTION:** Troubleshooting must be performed by a qualified technician.

Before proceeding with the steps in the following troubleshooting guide,

- Verify proper 120VAC power supply to the 6V DC transformer.
- Verify the control module back-up battery pack and the remote control batteries are fresh and installed with correct polarity.
- Verify all connections between the wire harnesses and the system components are proper and positive.
- Verify the communication link is established between the remote control and the Komfort 8KI control module.
- Verify inlet pressure meets the recommended inlet pressure. If necessary, adjust line pressure regulator.
- To isolate remote functionality from the control system when troubleshooting, turn the ON/OFF/REMOTE selector switch on the control module to ON.

Issue	Cause	Solution
Pilot will not light	Electrical power interrupted or disconnected	Restore electrical power to appliance or use battery back-up.
	Wiring disconnection	Ensure batteries are fully charged if using battery back-up as power source. Use wiring schematic in this manual to determine that all wiring connections are secure and correct.
	Control module selector switch not set properly	Verify the ON/OFF/REMOTE selector switch is ON mode or REMOTE mode.
	Gas supply turned off	Check remote shut-off valves from the appliance. Usually there is a valve near the main gas line. There may be more than (1) valve between the appliance and main gas line.
	LP/NG switch on control system not engaged	Verify the switch on the control module is set to the correct gas fuel type.
Pilot will not stay lit	No propane in tank	Check propane tank. Refill if necessary.
	Low gas pressure	Consult a plumber or a gas supplier. Can be caused by situations such as a bent line, too narrow diameter or pipe, or a low line pressure.
	Pilot flame not making contact with the flame rectification sensor on the pilot assembly	Verify the pilot flame envelopes the top of the flame sensor and extends far enough onto burner for ignition.
Pilot flame always on, or will not extinguish	Control system set to Pilot-on-Demand ignition mode	Set control system to intermittent pilot ignition mode. Refer to section 11.7.7, PILOT IGNITION SELECTION on page 36.

Issue	Cause	Solution
<b>Burner flame will not light</b>	ON/OFF rocker switch in ON position	Switch rocker switch to OFF position.
	Gas supply turned off	Check for multiple shut-offs in the supply line. Verify gas supply is turned on.
	Low gas supply	Consult with plumber or gas supplier. Check propane tank. Refill if necessary.
	Wiring disconnection or improper wiring	Check for faulty or incorrect wiring. Refer to <b>FIGURE 10.1, WIRING SCHEMATIC</b> on page 31.
	Plugged burner orifice	Remove blockage.
	Pilot flame	Verify the pilot flame is properly directed to ignite burner. See pilot flame troubleshooting in this section.
	Remote control not working properly	Replace batteries.
	No call for heat	Verify remote control is powered ON and thermostat operation is turned OFF.
<b>Pilot and burner extinguish while in operation</b>	No propane in tank	Check propane tank. Refill if necessary.
	Incorrect glass assembly installation	Refer to section 9.1, <b>GLASS ASSEMBLY</b> on page 27.
	Incorrect vent cap installation	Adjust if necessary.
	Vent cap blockage	Remove debris if necessary.
	Improper pitch on horizontal venting	1/4" (6mm) rise for every 12" (305mm) of travel is required on horizontal venting
	Exhaust vent pipe leaking exhaust gases back into firebox	Check for leaks and repair if necessary.
<b>Soot appears on glass</b>	Improper log placement	Refer to section 9.4, <b>LOG SET INSTALLATION</b> on page 29.
	Improper venturi settings	Venturi air shutters may need to be opened slightly to allow more air into the gas mix. Refer to section 12.2.2, <b>BURNER VENTURIS</b> on page 40.
	Incorrect vent cap installation	Adjust if necessary.
	Vent cap blockage	Remove debris if necessary.

Issue	Cause	Solution
<b>Flame burns blue and lifts off burner</b>	Improper venturi setting	The venturi air shutter may need to be closed slightly to allow less air into the gas mix. Refer to section 12.2.2, <b>BURNER VENTURIS</b> on page 40.
	Incorrect vent cap installation	Adjust if necessary.
	Blockage or leakage of the vent system	Check the vent pipes for leaks, and the vent cap for debris. Repair the vent pipes or remove debris from vent cap, if necessary.
<b>No reaction to command</b>	Battery backup batteries or remote control batteries low	Replace batteries.
	No communication between remote control and control module	Reprogram remote control to Komfort 8K1 module. Refer to section 11.2, <b>INITIALIZE THE KOMFORT 8K CONTROL SYSTEM</b> on page 33.
	A maximum number of failed ignitions or flame restorations has been reached	Reset Komfort 8K1 control module. Refer to section 11.2, <b>INITIALIZE THE KOMFORT 8K CONTROL SYSTEM</b> on page 33.

# 14.0 MAINTENANCE

---

**ATTENTION:** Installation and repair should only be done by a qualified service person. The appliance should be inspected before use and at least annually by a professional service person. More frequent cleaning might be required due to excessive lint from carpeting, bedding material, et cetera. It is imperative that control compartments, burners, and circulating air passageways of the appliance be kept clean. Use a vacuum to clean all components.

**WARNING:** The appliance area must be kept clear and free from combustible materials, gasoline and other flammable vapors and liquids.

## 14.1 Firebox

**Performed by:** Qualified Service Person

**Frequency:** Annually

**Action:**

- Vacuum and clean any debris in the firebox that is not supposed to be there.
- Inspect and operate the bottom latch assembly. Verify the assembly is free from obstruction to operate. The handles must have spring tension but be able to move forward freely

## 14.2 Fan

**CAUTION:** Label all wires prior to disconnection when servicing controls. Wiring errors can cause improper and dangerous operation. Verify proper operation after servicing.

**Performed by:** Qualified Service Person

**Frequency:** Every 6 months

**Action:**

- Disconnect the fan from electrical current and vacuum.
- The bearings are sealed and require no oiling.

## 14.3 Vent System

**NOTE:** If the vent-air intake system is disassembled for any reason, reinstall per instructions provided with installation. Refer to Section 6.0 on page 36.

**Performed by:** Qualified Service Person

**Frequency:** Annually

**Action:**

- of the vent system is required.
- Inspect the condition of vent and vent terminal for sooting or Examination obstruction and correct if present.
- The flow of combustion and ventilation air must not be obstructed.

## 14.4 Glass Assembly

**CAUTION:** Do not operate appliance with the glass assembly removed, cracked, or broken. Use protective gloves to handle any broken or damaged glass assembly components.

**WARNING:** Do not use substitute materials.

**WARNING:** Avoid striking or slamming glass assembly. Avoid abrasive cleaner. DO NOT clean glass while it is hot.

**IMPORTANT:** Any safety screen, guard, or barrier removed for servicing the appliance must be replaced prior to operating the appliance.

**Performed by:**

Homeowner

**Frequency:** Annually

**Action:**

- Prepare a work area large enough to accommodate the glass assembly on a flat, stable surface.
- Remove safety screen and glass frame assembly.
- Clean glass window with a suitable fireplace glass cleaner using a soft cloth. Abrasive cleaners must not be used. Be careful not to scratch the glass when cleaning.
- Reinstall glass assembly and safety screen. Do not operate fireplace without safety screen.

**Performed by:** Qualified Service Person

**Frequency:** Annually

**Action:**

- Clean glass window with a suitable fireplace glass cleaner using a soft cloth. Abrasive cleaners must not be used. Be careful not to scratch the glass when cleaning.
- Inspect the glass for cracks, scratches, and nicks.
- Verify the glass assembly is properly intact and not damaged.
- Replace the glass and the assembly #701-032T as necessary.
- Only Hussong Mfg. Co., Inc. will supply the replacement of glass assembly as a complete unit.

## 14.5 Burner and Pilot System

The assembly may be removed for easier access to the control compartment. See Section 9.5 Control Board Removal and Installation on page 29 for instructions.

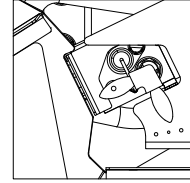
Verify gas supply is turned on and filled. Consult with plumber or gas supplier as necessary.

**Performed by:** Qualified Service Person

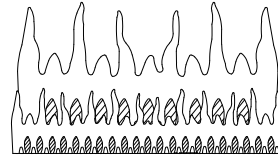
**Frequency:** Annually

**Action:**

- Vacuum all components of the burner system.
- Check all accessible gas-carrying tubes, connections, pipes and other components for leaks.
- Inspect the operation of the flame safety system Pilot or Flame rectification device. Visually check pilot light when in operation.
- Inspect and ensure the lighting of the main burner occurs within (4) seconds of the main gas valve opening. Check for faulty or incorrect wiring and correct or replace as necessary. Inspect primary air openings (burner ports) for blockage, especially near the pilot.
- Visually check burner flame pattern when in operation. Flames should be steady, not lifting or floating.
- Test and measure the flame failure response time of the flame safety system. It must de-energize the safety shutoff in no more than (30) seconds.



Correct Pilot Flame Appearance



Lazy, yellow flames-no adjustment necessary  
(Ideal Flame Appearance)

Figure 14.2, Pilot and Burner Correct Flame Appearance

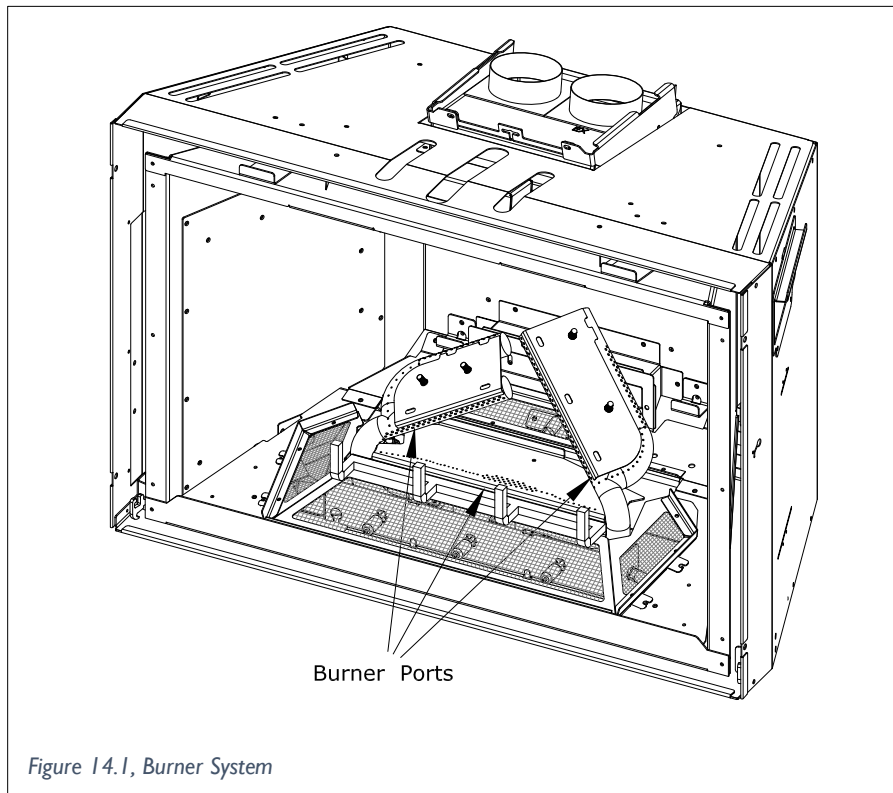


Figure 14.1, Burner System

# 15.0 REPLACEMENT PARTS LIST

Replacement parts are available through your local dealer. Contact your local dealer for availability and pricing.

The following warning is for replacement parts for this appliance.



**WARNING:** This product can expose you to chemicals including Lead, which is [are] known to the State of California to cause birth defects or other reproductive harm. For more information, visit [www.P65Warnings.ca.gov](http://www.P65Warnings.ca.gov).

CONTROL BOARD AND PARTS			
Dexen Control Board - Natural Gas	NK29-D350	Natural Gas Burner Orifice #50 LEFT and RIGHT	700250
Dexen Control Board - Propane	NK29-D351	Natural Gas Burner Orifice #57 REAR	700257
Dexen MH3V Gas Valve - Natural Gas	DEX-3VN	Propane Burner Orifice #56 LEFT and RIGHT	700256
Dexen MH3V Gas Valve- Propane	DEX-3VLP	Propane Burner Orifice #70 REAR	700270M
Komfort 8KI Control Module	DEX-8KI	Dexen Conversion Kit - Natural Gas	NCK-NK29-D
AUX 300 Control Module	DEX-AUX3	Dexen Conversion Kit - Propane	LCK-NK29-D
Main Wire Harness	DEX-MWH	Left Burner	NK29-350
AUX1 Wire Harness	DEX-AIWH	Right Burner	NK29-351
NG Dexen PSE IPI Pilot Assembly	DEX-191	Rear Burner	NK29-035
Propane Dexen PSE IPI Pilot Assembly	DEX-191-1	24" Black Flex Tube	700224B
Dexen Transmitter (Remote Control)	DEX-RC3	7" Flare x Brazed Fitting	700223F
Toggle Wire Harness	DEX-TWH	15" Flare x Brazed Fitting	700227F
Pilot Orifice - Natural Gas #.018NG	700-094-P	Battery Pack – 6V	DEX-BP
Pilot Orifice – Propane #.012LP	700-095-P		

GLASS AND GLASS PARTS	
Glass with Gasket 17.25" x 26.875"	701-023
Valance	RVT29-005
Glass Gasket	900-006

SAFETY BARRIERS	
Arched Mission Screen Front	RT29A-MSF
Arched Full Prairie Door Screen Front	RT29A-FPDSF
Prairie Screen Front	RT29-PSF
Rectangular Screen Front	RT29-RSF

SHROUDS	
Blank Shroud (4 pc.)	RT29-004
4 sided blank shroud (4 pack)	RT29-008
25" x 38" shroud (1 piece)	RT29-2538
27-1/2" x 42" shroud (1 piece)	RT29-27542
30" x 44" shroud (1 piece)	RT29-3044
Custom shroud	RT29-CUS
Custom arched shroud	RT29-ACUS

#NDK-29-i  
 Hussong Manufacturing Co., Inc.  
 P.O. Box 577  
 204 Industrial Park Drive  
 Lakefield, MN 56150-0577 USA

LIGHT KITS	
Light Kit – Ember bed	NK29-LKT
Light Kit – Top	NK34-TLK
Light Bulb – 20w	600-676

FAN KIT	
Fan Kit	NK29-028

ADDITIONAL COMPONENTS	
Manual Gas Shut-off Valve	700-203
Glass Latch Tool	JOR-GLT
Program Button Tool	DEX-RPT

LOG SET	
Traditional Log Set	NK29-500
Log #1	N29-1
Log #2	N29-2
Log #3	N29-3
Log #4	N29-4
Log #5	N29-5
Log #6	N29-6
Log #7	N29-7
Rock Wool Embers	900-REMB

# LIMITED LIFETIME WARRANTY

## Warranty Coverage

Hussong Manufacturing Company, Inc. (Hussong Mfg.) warrants this Kozy Heat gas appliance from the date of purchase to the original purchaser, that it is free of defects in materials and workmanship at the time of manufacture. Registering your fireplace warranty does not require any documents to be sent in to Hussong Mfg. Please retain your proof of purchase reflecting the date of purchase along with the serial number and model of your fireplace for any future warranty claims.

*If a defect is noted within the warranty period, the customer should contact their authorized dealer for service within 30 days.*

### 30 Days: Parts & Labor\*

- Paint
- Light bulbs
- Gasket material
- Glass media and media dam

### Year 1: Parts & Labor\*

- All parts and material except the items listed in the 30 day warranty and any exclusions or limitations that may apply.

*\*Hussong Mfg. will issue labor reimbursement to an authorized dealer only. Hussong Mfg. will not be liable for charges occurred as a result of any service performed by a non-authorized service provider, without pre-authorization.*

### Years 2 through Lifetime: Parts Only

- Firebox
- Heat Exchanger
- Logs
- Burner tube or pan
- Outer shell
- Heat shield(s)
- Front Viewing Glass (thermal shock only)
- Refractory Firebox liner (excluding enamel and glass panels)

## EXCLUSIONS AND LIMITATIONS

1. This appliance must be installed by a licensed, authorized service technician or contractor. It must be installed, operated and maintained at all times in accordance with the instructions in the owner's manual or the warranty is void.
2. This warranty is nontransferable and is made to the original purchaser only.
3. This warranty excludes standard wear and tear of the appliance which is considered normal usage over time.
4. Discoloration and some minor expansion, contraction or movement of certain parts, resulting in noise, is normal and not a defect.
5. Warranty is automatically voided if the appliance's serial number and/or testing label is removed or if the appliance is altered or tampered with in any way.
6. Warranty is void if the appliance is subject to submersion in water or prolonged periods of dampness or condensation. Any damage to any part of the appliance due to water or weather damage which is the result of, but not limited to, improper chimney/venting installation will also render this warranty void.
7. This warranty does not cover installation and operational related problems such as environmental conditions, nearby trees, buildings, hilltops, mountains, inadequate venting or ventilation, excessive offsets, negative air pressures caused by any mechanical systems.
8. Chimney components and other Non-Hussong Mfg. accessories used in conjunction with the installation of this appliance are not covered under this warranty.
9. Damage to plated surfaces or accessories, if applicable, caused by scratches, fingerprints, melted items or other external sources left on the surfaces from the use of cleaners is not covered under this warranty.
10. It is expressly agreed and understood that this warranty is Hussong Mfg.'s sole obligation and purchaser's exclusive remedy for defective fireplace equipment. Hussong Mfg. is free of liability for any damages caused by this appliance, as well as inconvenience expenses and materials. Incidental or consequential damages are not covered by this warranty. In some states, the exclusion of incidental or consequential damage may not apply. Hussong Mfg. shall not be held to implied warranties and this warranty shall replace all previous warranties.
11. This limited lifetime warranty is the only warranty supplied by Hussong Mfg. Any warranties extended to the purchaser by the dealer/ distributor, whether expressed or implied, are hereby disclaimed and the purchaser's recourse is expressly limited to the warranties set forth herein.
12. Any part repaired or replaced during the limited warranty period will be warranted under the terms of the limited warranty for a period not to exceed the remaining term of the original limited warranty.
13. Any replacement part repaired after the warranty period will include a 90 day parts coverage
14. Hussong Mfg. may require the defective part to be returned using a pre-authorized RGA number or a photo of the defective component. Failure to provide either can result in a denied claim.
15. This warranty does not cover the appliances ability to heat a desired space, as there are many factors that can impact the heating performance in each home. Consideration should be implied to the appliance's location, room size, home design, environmental conditions, insulation, and tightness of the home.
16. Hussong Mfg. reserves the right to make changes at any time, without notice, in design, material, specifications, and prices. Hussong Mfg. reserves the right to discontinue models and products.



