

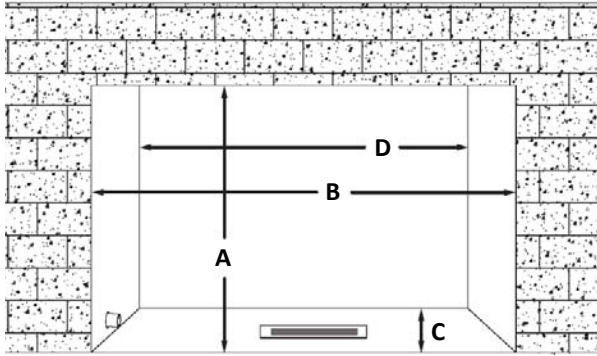
Please leave these reference guides at the installation location until the installation is finished. See owners manual for full installation and finishing instructions before making final decisions as information is subject to change.

Specifications (all measurements are in inches)

• GAS LINE OPENING: LEFT (BACK, UPPER CORNER) • ELECTRICAL ACCESS: LEFT SIDE

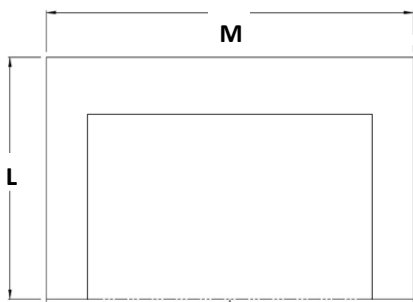
Model	BTU	Front Height	Back Height	Front Width	Back Width	Depth	Glass Viewing Area
NDK-34-i	40,000	23-3/4	21-1/8	33-7/8	24	16-3/8	30-11/16 x 22-1/4

Existing Fireplace Opening Requirements



Dimension	NDK-34-i
A	23-3/4
B	34-1/8
C	16-3/8
D	24-1/8

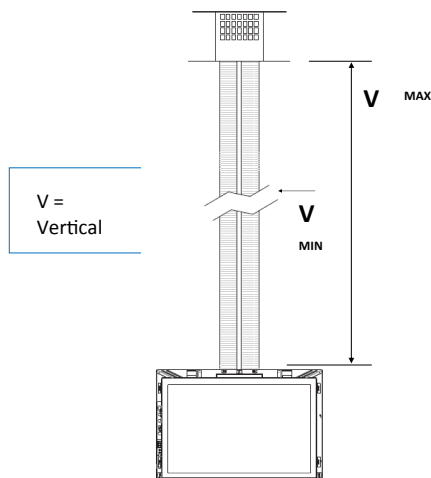
Shroud Sizes*



Dimension	Shroud Part Number		
	#RT34-2740	#RT34-3044	#RT34-3346
L	27	30	33
M	40	44	46

*Custom Sizes also available

Venting Requirements

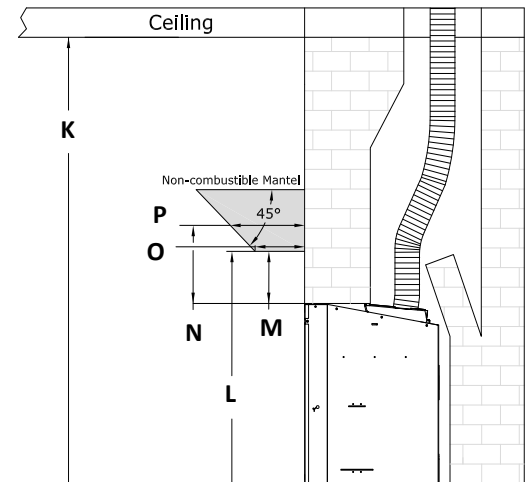
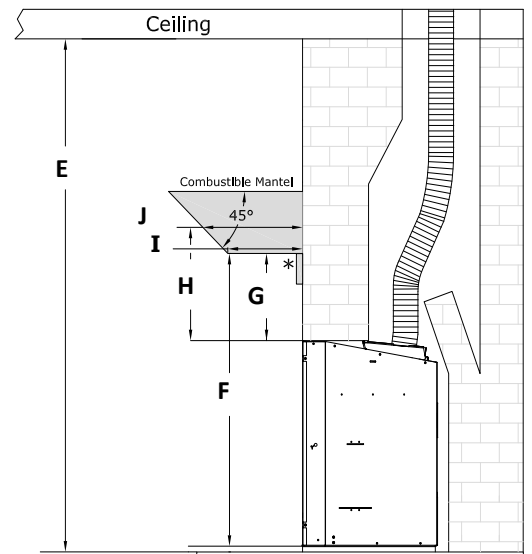


Consult manual for approved venting manufacturers

Requirement	NDK-34-i
(NG/LP) Vertical Min	10 ft.
(NG/LP) Vertical Max	40 ft.

Mantel & Hearth Clearances

* 3/4" combustible trim at 6 1/2" (165mm) from top of fireplace



Dimension	NDK-34-i
E	55
F	33-1/2
G	10
H	13
I	9
J	12

Dimension	NDK-34-i
K	55
L	29-1/2
M	6
N	9
O	6
P	9