

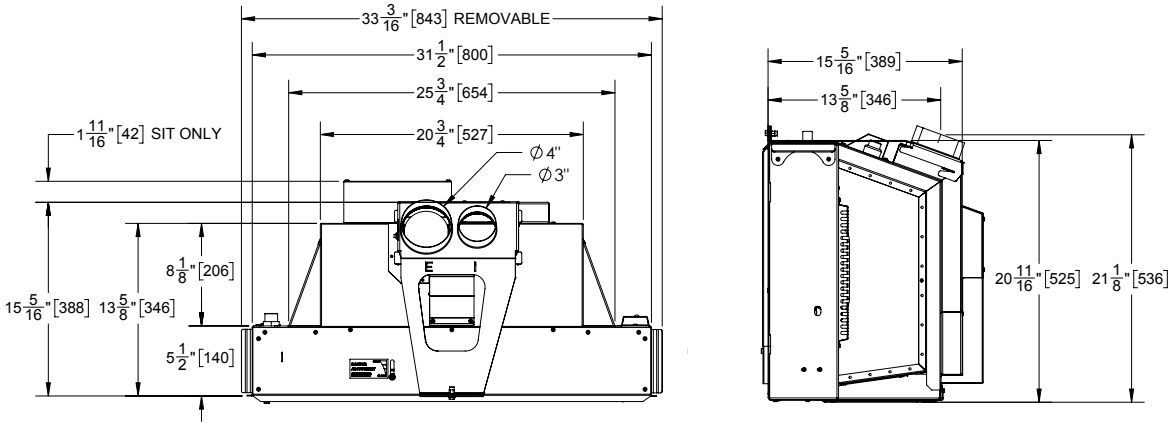


TOFINO i30S

30,000 BTU High – P.4.1 71.3%



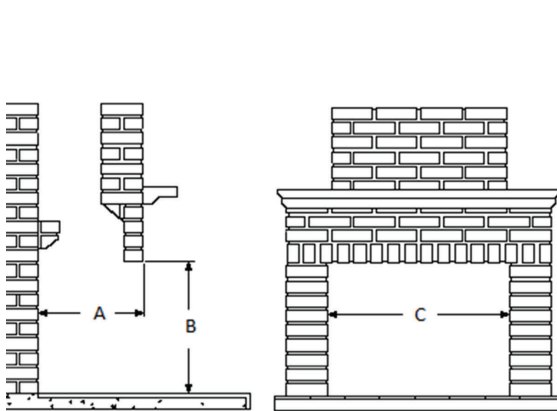
UNIT DIMENSIONS



BACKING PLATE

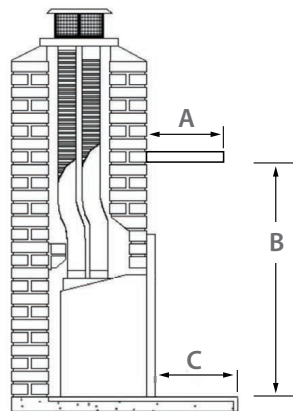
Standard	26"	38"
Oversize	28"	42"

MINIMUM FIREPLACE OPENING



A	17 7/8"
B	22 1/8"
C (w/handles)	32" (33 1/2")

CLEARANCES TO COMBUSTIBLES



A	14"
B	35"
C	0"
Objects in front of unit	36"
Horizontal clearance to comb.	20" (from centre of unit)