

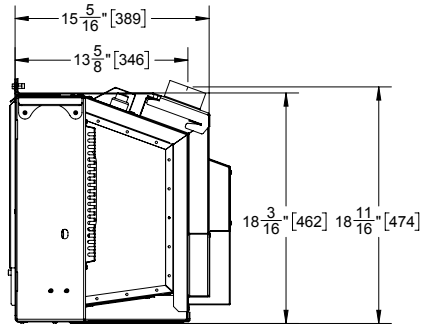
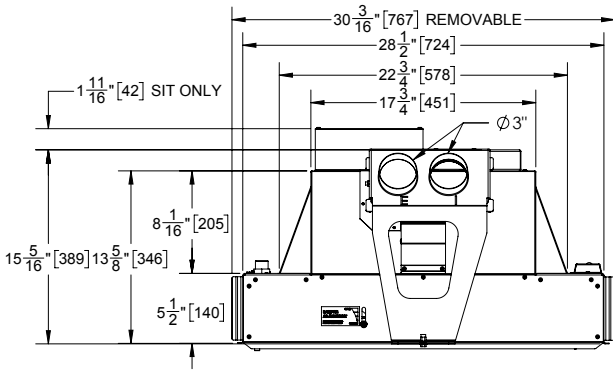


TOFINO i20S

20,000 BTU High – P.4.1 71.3%



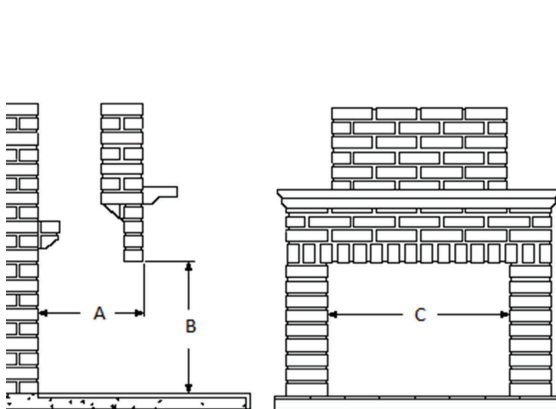
UNIT DIMENSIONS



BACKING PLATE

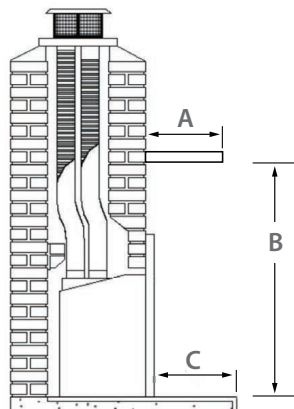
Standard	26"	38"
Oversize	28"	42"
4-Sided	35 1/4"	27 1/8"

MINIMUM FIREPLACE OPENING



A	17 7/8"
B	19 7/8"
C (w/handles)	29" (30 1/2")

CLEARANCES TO COMBUSTIBLES



A	14"
B	30"
C	0"
Objects in front of unit	36"
Horizontal clearance to comb.	18" (from centre of unit)