



# ALDERLEA T4 CLASSIC LE

FOR SMALL TO MEDIUM SPACES

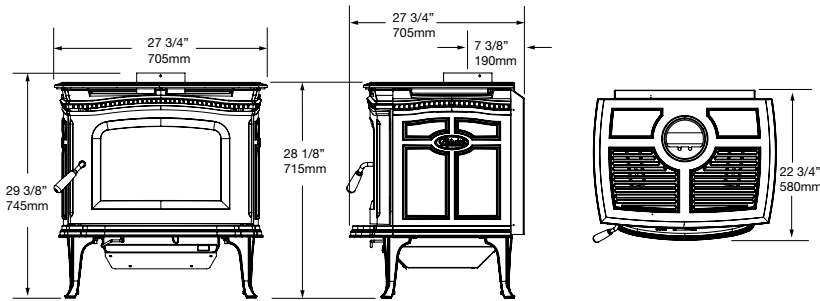


Ivory



Majolica

## UNIT DIMENSIONS



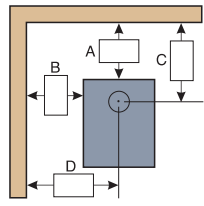
## TECHNICAL DATA

### 23,200 BTU EPA Test Fuel

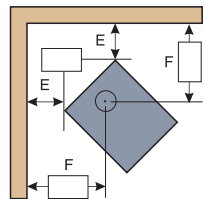
Efficiency (HHV)	72%
Emissions	1.9 gm/hr.
Log Size (recommended)	16"
Log Size (max)	17"
Firebox Size	1.6 cu.ft.
Viewing Area	152 sq.in.

## CLEARANCES TO COMBUSTIBLES

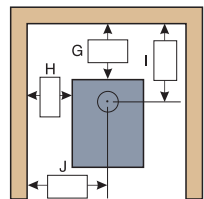
From top of stove to ceiling: **56"**



STRAIGHT



CORNER



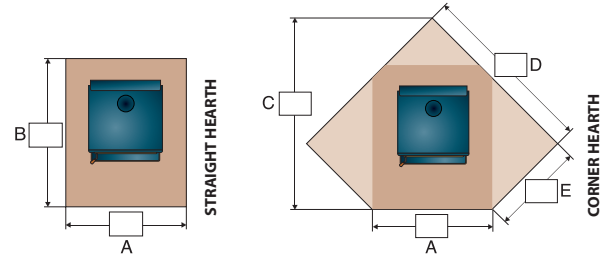
ALCOVE

	RESIDENTIAL SINGLE WALL	RESIDENTIAL DOUBLE WALL	MOBILE HOME DOUBLE WALL
A	10"	8"	8"
B	10"	8"	8"
C	17 3/8"	15 3/8"	15 3/8"
D	23 7/8"	21 7/8"	21 7/8"

E	7"	5"	5"
F	20 1/2"	18 1/2"	18 1/2"

G	10"	8"	8"
H	10"	8"	8"
I	17 3/8"	15 3/8"	15 3/8"
J	23 7/8"	21 7/8"	21 7/8"

## FLOOR PROTECTOR DIMENSIONS



	MINIMUM	RESIDENTIAL SINGLE WALL	RESIDENTIAL DOUBLE WALL	ALCOVE DOUBLE WALL	MOBILE HOME
<b>CANADA</b>					
A	44"	44"	44"	44"	44"
B	45"	47"	45"	45"	45"
C	-	58 3/4"	55 7/8"	-	55 7/8"
D	-	57 1/8"	55 1/8"	-	55 1/8"
E	-	26"	24"	-	24"

<b>USA</b>					
A	34"	34"	34"	34"	34"
B	35"	45"	43"	43"	43"
C	-	56 3/4"	53 7/8"	-	53 7/8"
D	-	52 1/8"	50 1/8"	-	50 1/8"
E	-	28 1/8"	26 1/8"	-	26 1/8"