

# TOFINO SERIES GAS INSERTS

i20 | i30 | i40



ELEGANT • VERSATILE • EFFICIENT



## THE NEXT GENERATION OF GAS INSERTS



## THREE DISTINCT FIREBOX SIZES

Transform your existing fireplace and come home to warmth and style - introducing the new Tofino Series Gas Inserts for ultimate comfort, performance and advanced heating technology.

At Pacific Energy, it's about quality – each Tofino gas insert is masterfully engineered for high efficiency, easy operation and minimal after care. Finding the perfect fit for your home is easy, choose from three distinct firebox sizes along with two unique valve systems for maximum heat control and room ambiance.

### TWO UNIQUE VALVE SYSTEMS

Find the engine that is right for you.

#### The S System

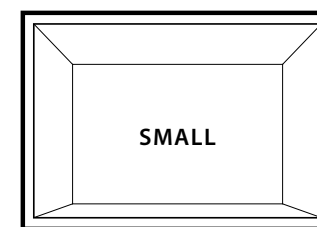
The full-featured SIT Proflame 2 valve system offers a split-flow burner for a greater range of flame and heat modulation, interior lighting, heat assisting fan, and basic remote control programming.

#### The M System

Designed for simplified function, the Maxitrol valve system offers you hi/lo flame modulation and advanced remote control programming.

### STANDARD FEATURES

	SIT 2	MAXITROL
Available NG or LP	✓	✓
Direct Vent Technology	✓	✓
High Efficiency Heat Exchanger	✓	✓
Programmable Remote Control	✓	✓
Manual Control	✓	✓
Micro-Mesh Safety Screen	✓	✓
Split-Flow Burner	✓	✓
Flame Modulation	✓	✓
Interior Accent Lighting	✓	✓
Child Safety Lock	✓	✓
Battery Operated	✓	✓
Battery Back Up	✓	✓
Fan	✓	✓
Design-A-Fire	✓	✓
Limited Lifetime Warranty	✓	✓



Small-Medium Size Rooms

MAXITROL

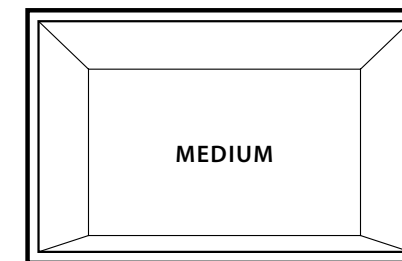
#### TOFINO *i20M*

20,000 BTU high  
10,000 BTU low  
P.4.1 71.3% (20,000 btu/hr)

SIT PROFLAME

#### TOFINO *i20S*

20,000 BTU high  
6,000 BTU low  
P.4.1 73.1% (20,000 btu/hr)



Medium-Large Size Rooms

MAXITROL

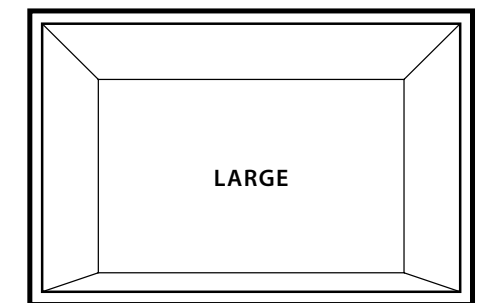
#### TOFINO *i30M*

30,000 BTU high  
15,000 BTU low  
P.4.1 71.1% (30,000 btu/hr)

SIT PROFLAME

#### TOFINO *i30S*

30,000 BTU high  
9,000 BTU low  
P.4.1 73.3% (30,000 btu/hr)



Large Size Rooms

MAXITROL

#### TOFINO *i40M*

40,000 BTU high  
20,000 BTU low  
P.4.1 73.7% (40,000 btu/hr) NG  
P.4.1 73.8% (35,000 btu/hr) LP

SIT PROFLAME

#### TOFINO *i40S*

40,000 BTU high  
12,000 BTU low  
P.4.1 77.1% (40,000 btu/hr) NG  
P.4.1 73.6% (35,000 btu/hr) LP

# PACIFIC ENERGY DESIGN-A-FIRE. UNLIMITED POSSIBILITIES.

What is Design-A-Fire? It's choice. It's a selection of interchangeable interior and exterior elements that allow you to customize your fireplace. It's the freedom to create the perfect combination of color, finish, and detail for your home.

**FRONTS** Choose from two distinguished front options: Modern or Artisan, available in a painted matte black or brushed nickel finish.



Modern



Artisan



**BURNERS** Choose from a selection of dynamic fire styles: high definition logs or sparkling glass (available in Twilight or Black).



Split Log



Sparkling Glass



Twilight

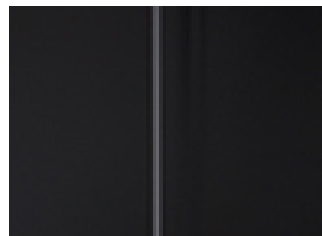


Black

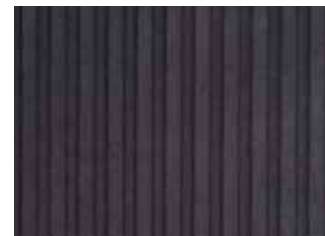


Driftwood Log - i20 only

**FIREBOX PANELS** Modern or traditional with four choices of firebox panels: lustrous black porcelain, or high definition ceramic fiber panels in Grey Fluted, LedgeStone or Red Brick.



Black Porcelain



Grey Fluted



LedgeStone



Red Brick



i20 Modern Front, Split Log with Red Brick Panels.



i20 Modern Brushed Nickel Front, Black Glass with Black Porcelain Panels.



i30 Modern Brushed Nickel Front, Split Log with Black Porcelain Panels.



i30 Artisan Front, Black Glass with Black Porcelain Panels.



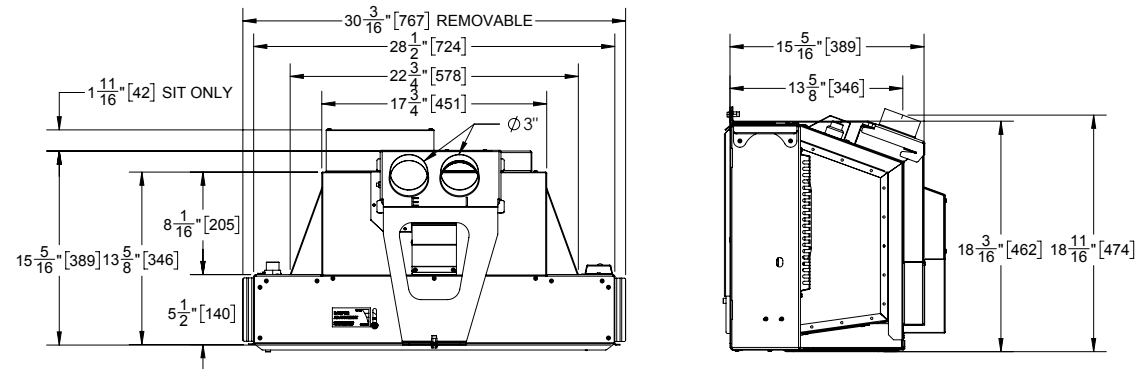
i40 Artisan Front, Black Glass with Black Porcelain Panels.



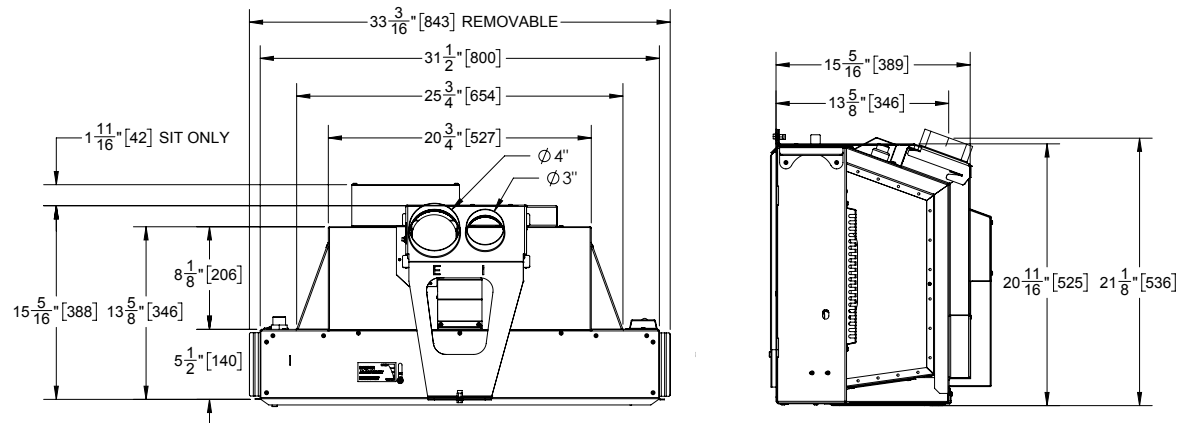
i40 Modern Front, Split Log with LedgeStone Panels.

## DIMENSIONS

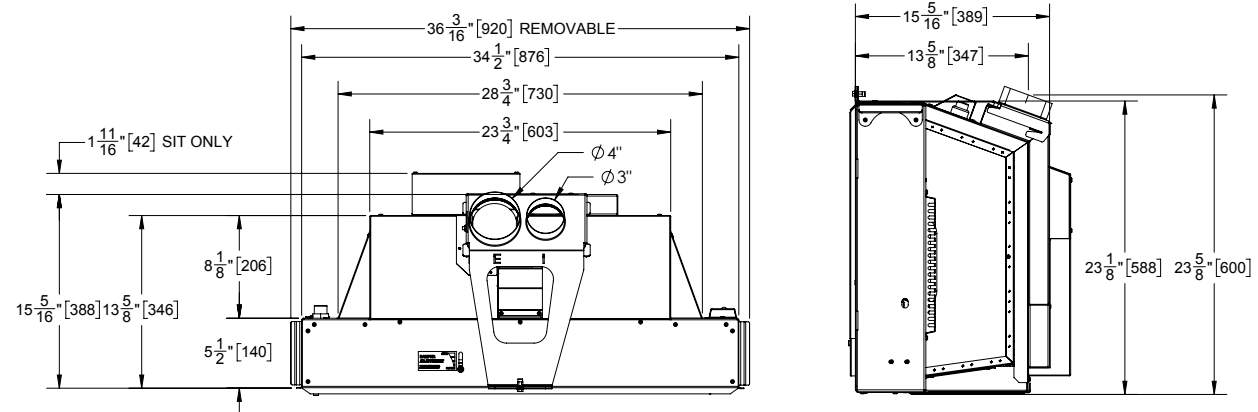
### TOFINO *i20M/i20S*



### TOFINO *i30M/i30S*



### TOFINO *i40M/i40S*



For reference only. Installations should be based on manuals and rating labels. Specifications subject to change. Installation Manuals are available online. Visit [www.pacificenergy.net](http://www.pacificenergy.net)

## BACKING PLATES

No matter how big or small your existing fireplace opening, or if you choose to install your insert with a raised hearth, the Tofino backing plates come in easy to install sizes. Available in painted matte black.

#### Tofino i20

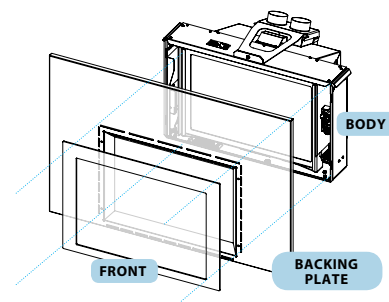
Regular 26" x 38"  
Oversize 28" x 42"  
4-sided 35 1/4" x 27 1/8"

#### Tofino i30

Regular 26" x 38"  
Oversize 28" x 42"

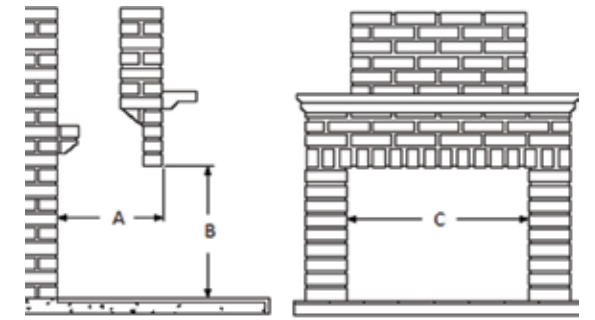
#### Tofino i40

Regular 28" x 42"  
Oversize 31" x 44"



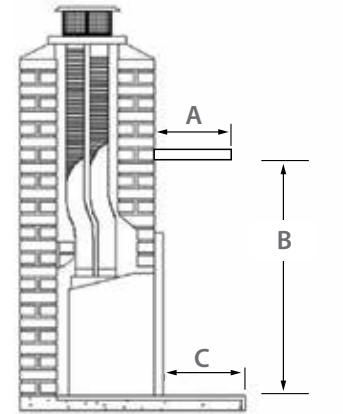
## MINIMUM FIREPLACE OPENING

Unit	A	B	C (with handles)
Tofino i20M	16 1/4"	19 7/8"	29" (30 1/2")
Tofino i20S	17 7/8"	19 7/8"	29" (30 1/2")
Tofino i30M	16 1/4"	22 1/8"	32" (33 1/2")
Tofino i30S	17 7/8"	22 1/8"	32" (33 1/2")
Tofino i40M	16 1/4"	24 5/8"	35" (36 1/2")
Tofino i40S	17 7/8"	24 5/8"	35" (36 1/2")



## CLEARANCES

Unit	A	B	C	Objects in front of unit	Horizontal clearance to combustibles
Tofino i20	14"	30"	0"	36"	18" (from centre of unit)
Tofino i30	14"	35"	0"	36"	20" (from centre of unit)
Tofino i40	14"	35"	0"	36"	20" (from centre of unit)



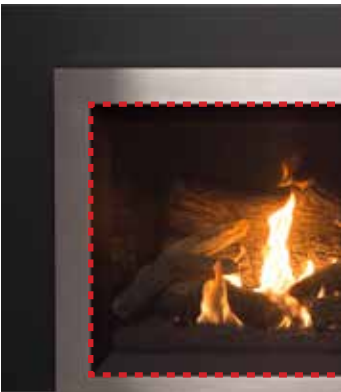
For reference only. Installations should be based on manuals and rating labels. Specifications subject to change. Installation Manuals are available online. Visit [www.pacificenergy.net](http://www.pacificenergy.net)

## SIMPLE TOUCH OPERATION AND TEMPERATURE MANAGEMENT

Tofino Inserts come standard with an advanced comfort remote control to modulate flame height for temperature management and room ambiance. Simplified on/off operation is also available with auxiliary controls integrated into each insert surround.

## NEARLY INVISIBLE SAFETY SCREEN - STANDARD

When designing any heat source, safety is always at the forefront. With today's advanced technologies and materials, there's no need to compromise aesthetics for safety from little hands. That is why Tofino gas inserts come standard with an integrated micro-mesh screen that creates a virtually invisible safety barrier, allowing a clear, unobstructed view of the flame.



## TOFINO SERIES - DESIGNED FOR EASY MAINTENANCE AND INSTALLATION



EASY NO TOOL FRONT INSTALLATION



PRECISE DAMPER ADJUSTMENT



CONVENIENT VALVE ACCESSIBILITY

**ELEGANT**  
**VERSATILE**  
**EFFICIENT**

Refined Style  
Design-A-Fire  
High Heat Output



## Industry Leading Limited Lifetime Warranty

At Pacific Energy, we back our dedication to quality with a Limited Lifetime Warranty on all of our products. This is our pledge to you of satisfaction as long as you own your Pacific Energy gas insert.

Check out Pacific Energy's industry-leading warranty at:  
[pacificenergy.net](http://pacificenergy.net)

