



ESPRIT

LINEAR GAS FIREPLACE



ESPRIT

FOR MEDIUM – LARGE ROOMS



The Esprit linear gas fireplace offers Pacific Energy's highest level of quality, technical innovation, and engineering in a modern landscape.

Create a fireplace that uniquely complements your home with Pacific Energy's exclusive Design-A-Fire system of interchangeable interior options. Whether you choose a dramatic landscape of fire over tumbled glass, or the gentle ambiance of a driftwood logset, your new gas fireplace offers an expansive view of flame set against a backdrop of lustrous porcelain enamel.

Standard one-touch programmable remote controls to provide quick, easy control over heat and added energy savings. Even at the lowest settings, flames are appealingly rich and full to gently warm the room.



SAFETY

When designing any heat source, safety is always at the forefront. At Pacific Energy, we believe that with today's advanced technologies and materials, there's no need to compromise esthetics for safety. That is why we've developed an integrated micro-mesh screen that creates a virtually invisible safety barrier, allowing a clear, unobstructed view of the flame as a standard feature for each model – we would show you, but even the camera can't see it!



EFFICIENCY

Behind the legendary performance of Pacific Energy fireplaces lies craftsmanship, experience and next-generation technology. Large, aluminum-finned heat exchangers maximize heat convection, highly reflective titanium baffles radiate heat and optional dealer-installed fans distribute heat through-out your living space. Heat output and flame are variable, allowing complete control of heating, comfort, and appearance.



Simple touch operation and temperature management.

The Esprit comes standard with an advanced comfort remote control. Using Smart thermostat, your fire-place can automatically modulate flame height to optimize temperature management and room ambiance.

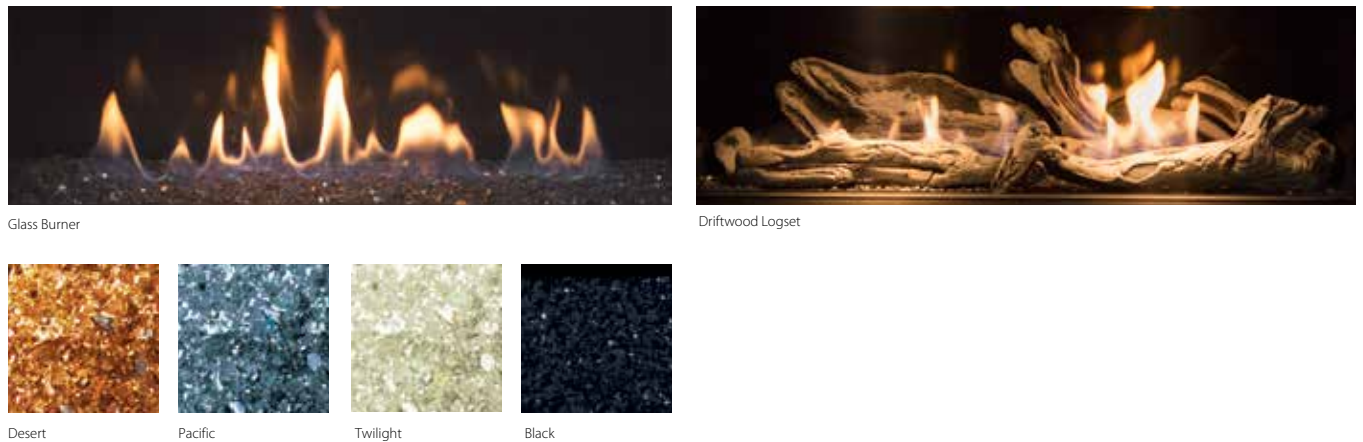
What is Design-A-Fire?

It's choice. It's a selection of interchangeable components that allow you to customize your fireplace experience and create the exact combination of color, finish, and detail to perfectly enhance your home.

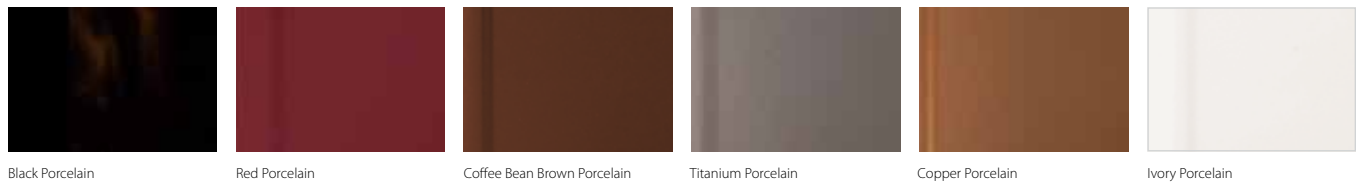
SURROUND OPTIONS



BURNER OPTIONS



FIREBOX PANEL OPTIONS



TECHNICAL SPECIFICATIONS

NG	30,000 BTU/hr
	P.4.1 72.1%
LP	26,000 BTU/hr
	P.4.1 73.8%
AFUE NG	77.5%
AFUE LP	79.1%
Glass Size	320 sq.in.

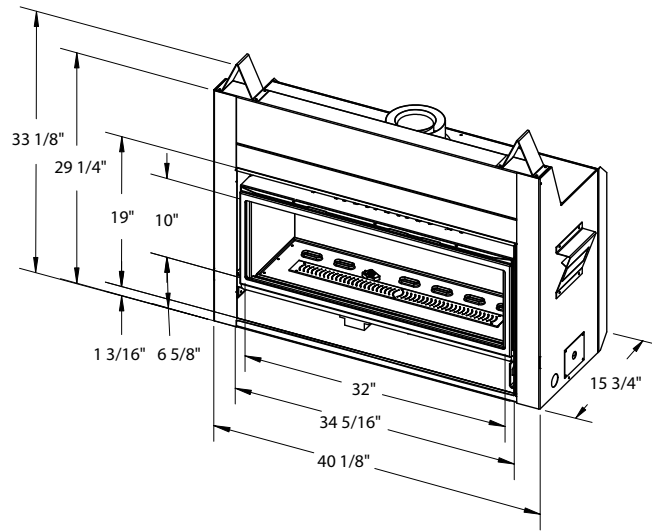
STANDARD FEATURES

- Direct vent technology
- SIT Pro Flame 2 valve
- High-efficiency heat exchanger with aluminum fins
- Integrated micro-mesh safety screen
- Standard remote control
- Variable-speed blower

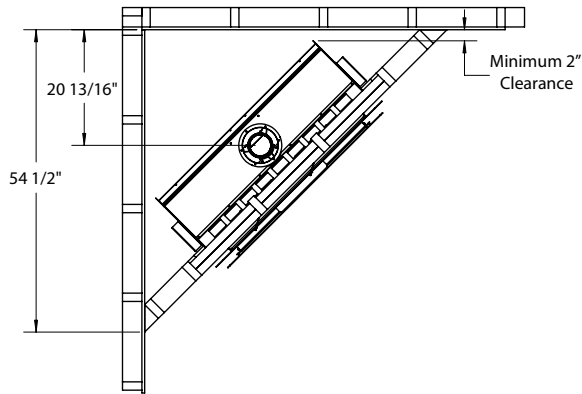
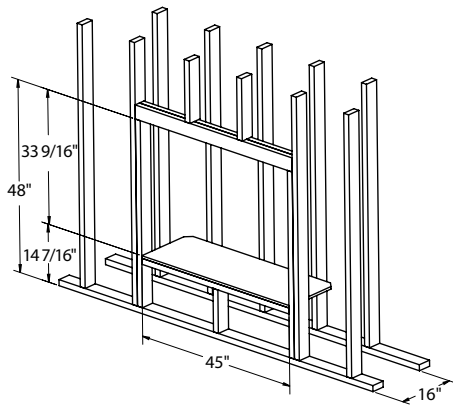
DESIGN OPTIONS

- Design-A-Fire
- Interior: porcelain enamel in six colors
- Burner: logset or glass
- Straight-Edge Surround: 42 1/4" (w) x 22 1/2" (h)
- Louvered Surround: 37" (w) x 21 1/2" (h)
- Contemporary Surround: 42 1/4" (w) x 22 1/2" (h)

UNIT DIMENSIONS



FRAMING DIMENSIONS



MANTEL CLEARANCES

MANTEL DEPTH			
	6"	9"	12"
MANTEL CLEARANCE FROM TOP OF GLASS TO BOTTOM OF MANTLE			
Contemporary	36"	36"	36"
Louvered	26"	26"	26"

MINIMUM CLEARANCES TO COMBUSTIBLE MATERIAL

Enclosed Side Wall	1.75"
Enclosed Back Wall	no clearance required
Enclosed Ceiling	4"
Enclosed Front Wall	24" non combustible from top lip of unit
Exposed Side Wall	8" from side of the glass
Vent Enclosure	1"
Exterior Soffit	16"



For reference only. Installations should be based on manuals and rating labels. Specifications subject to change. Installation Manuals are available online. Visit www.pacificenergy.net.

