



**DIVINE**  
MULTI SIDED

**SPECIFICATIONS AND FEATURES**

**DIVINE BAY CONTEMPORARY**

**DIVINE BAY TRADITIONAL**

**H38PR**

Bay  
Direct vent

**Standard**

Contemporary burner with ice fireglass

Remote Hi-Lo flame control

Multi-function remote control

Battery backup

**Options**

Glass media

Wall remote

**Standard**

Traditional burner and logset

Wrought iron grate

Heritage brick liner

Remote Hi-Lo flame control

Multi-function remote control

Battery backup

**Options**

Wall remote

**QUICK DIMENSIONS**

H38PR		
	UNIT	FRAM.
F.WIDTH	42 <sup>13</sup> / <sub>16</sub>	41
B.WIDTH	42 <sup>13</sup> / <sub>16</sub>	41
HEIGHT	42 <sup>7</sup> / <sub>8</sub>	44
DEPTH	26 <sup>1</sup> / <sub>4</sub>	23 <sup>3</sup> / <sub>4</sub>
VIEWING	32 <sup>1</sup> / <sub>8</sub> × 24 <sup>3</sup> / <sub>4</sub>	

**BTU LISTING**

H38PRNI-2 / 34,000 BTU  
H38PRLI-2 / 32,000 BTU

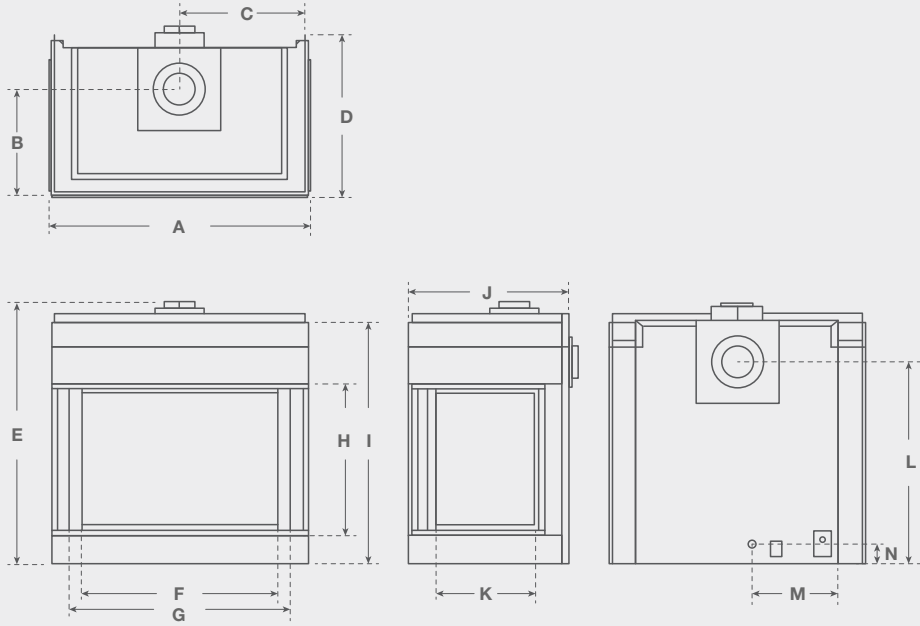
HL38PRNI-2 / 34,000 BTU  
HL38PRLI-2 / 32,000 BTU

**EFFICIENCY**

H38PRNI-2 / FE 58.5  
H38PRLI-2 / FE 58.5

HL38PRNI-2 / FE 58.5  
HL38PRLI-2 / FE 58.5

## DIVINE BAY DIMENSIONS



	A	B	C	D	E	F	G	H	I	J	K	L	M	N
H38PRC	42 <sup>13</sup> / <sub>16</sub>	17 <sup>5</sup> / <sub>16</sub>	20 <sup>7</sup> / <sub>16</sub>	26 <sup>9</sup> / <sub>16</sub>	42 <sup>7</sup> / <sub>8</sub>	32 <sup>1</sup> / <sub>8</sub>	36 <sup>3</sup> / <sub>16</sub>	24 <sup>3</sup> / <sub>4</sub>	39 <sup>5</sup> / <sub>8</sub>	26 <sup>1</sup> / <sub>4</sub>	16 <sup>5</sup> / <sub>16</sub>	33 <sup>1</sup> / <sub>8</sub>	14 <sup>3</sup> / <sub>16</sub>	3 <sup>3</sup> / <sub>8</sub>



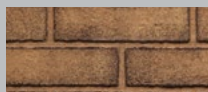
OPTIONS & FEATURES



REMOTE<sup>Δ</sup>  
RX200\*\*



WALL REMOTE  
REC1493



HERITAGE<sup>†</sup>

<sup>Δ</sup> Standard on all bay units

<sup>†</sup> Standard on H38PR<sup>1</sup>-2

# Unit Specifications

## Icon Legend

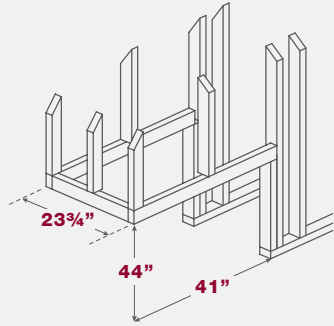
AVAILABLE +

NOT AVAILABLE -

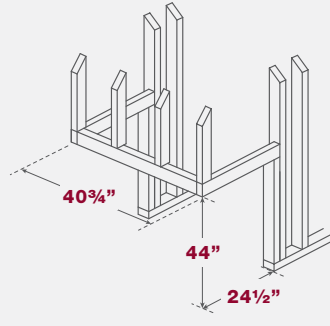
DEDICATED ◊

STANDARD ○

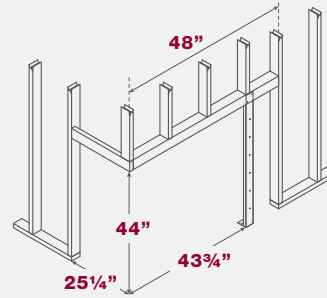
### PIER FRAMING



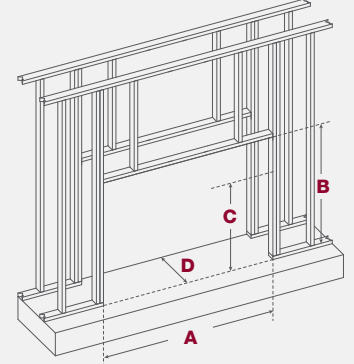
### BAY FRAMING



### CORNER FRAMING



### SEE THROUGH FRAMING



NON COMBUSTIBLE STUD INCLUDED WITH UNIT

Approximate dimensions to center. For best results mount noncombustible stud onto unit, then bolt to 2x4 header and floor.

	A	B	C	D
H38FSD	40 3/4"	42 1/2"	N/A	23 3/4"
H42FSD	45"	49 1/2"	46 1/2"	24"

NON COMBUSTIBLE STUD INCLUDED WITH UNIT - NOT NEEDED FOR H38FSD

	BTU Natural Gas	BTU Liquid Propane	Venting	Clearance Top - Rear vent	Clearance Top - Top vent	Clearance Sides	Clearance Back	Clearance Floor	Front viewing area	Front glass type	Standard media	Invisimesh	Powervent	Remote control	Fans	Uplighting	Downlighting
H38FSD*	34,000	32,000	5"/8"	9	17 1/2	1	2	0	35 3/4 x 26 3/8	Tempered	Traditional	○	+	+	+	-	-
H38FSD*1	34,000	32,000	5"/8"	9	17 1/2	1	2	0	35 3/4 x 26 3/8	Tempered	Traditional	○	+	+	+	-	-
H42FSD*	37,000	37,000	5"/8"	9	17 1/2	1	2	0	39 3/8 x 30 3/8	Tempered	Traditional	○	+	+	+	-	-
H42FSD*1	37,000	37,000	5"/8"	9	17 1/2	1	1	0	39 3/8 x 30 3/8	Tempered	Traditional	○	+	+	+	-	-
H38PF*1-2	34,000	32,000	5"/8"	9	17 1/2	1	1	0	32 1/8 x 21 5/8	Tempered	Traditional	○	+	○	-	-	-
HL38PF*1-2	34,000	32,000	5"/8"	9	17 1/2	1	1	0	32 1/8 x 21 5/8	Tempered	HW1157	○	+	○	-	-	-
H38PR*1-2	34,000	32,000	5"/8"	9	17 1/2	1	1	0	32 1/8 x 24 3/4	Tempered	Traditional	○	+	○	-	-	-
HL38PR*1-2	34,000	32,000	5"/8"	9	17 1/2	1	1	0	32 1/8 x 24 3/4	Tempered	HW1157	○	+	○	-	-	-
H38CL*1-2	34,000	32,000	5"/8"	9	17 1/2	1	1	0	32 1/8 x 24 3/4	Tempered	Traditional	○	+	○	-	-	-
HL38CL*1-2	34,000	32,000	5"/8"	9	17 1/2	1	1	0	32 1/8 x 24 3/4	Tempered	HW1157	○	+	○	-	-	-
H38CR*1-2	34,000	32,000	5"/8"	9	17 1/2	1	1	0	32 1/8 x 24 3/4	Tempered	Traditional	○	+	○	-	-	-
HL38CR*1-2	34,000	32,000	5"/8"	9	17 1/2	1	1	0	32 1/8 x 24 3/4	Tempered	HW1157	○	+	○	-	-	-