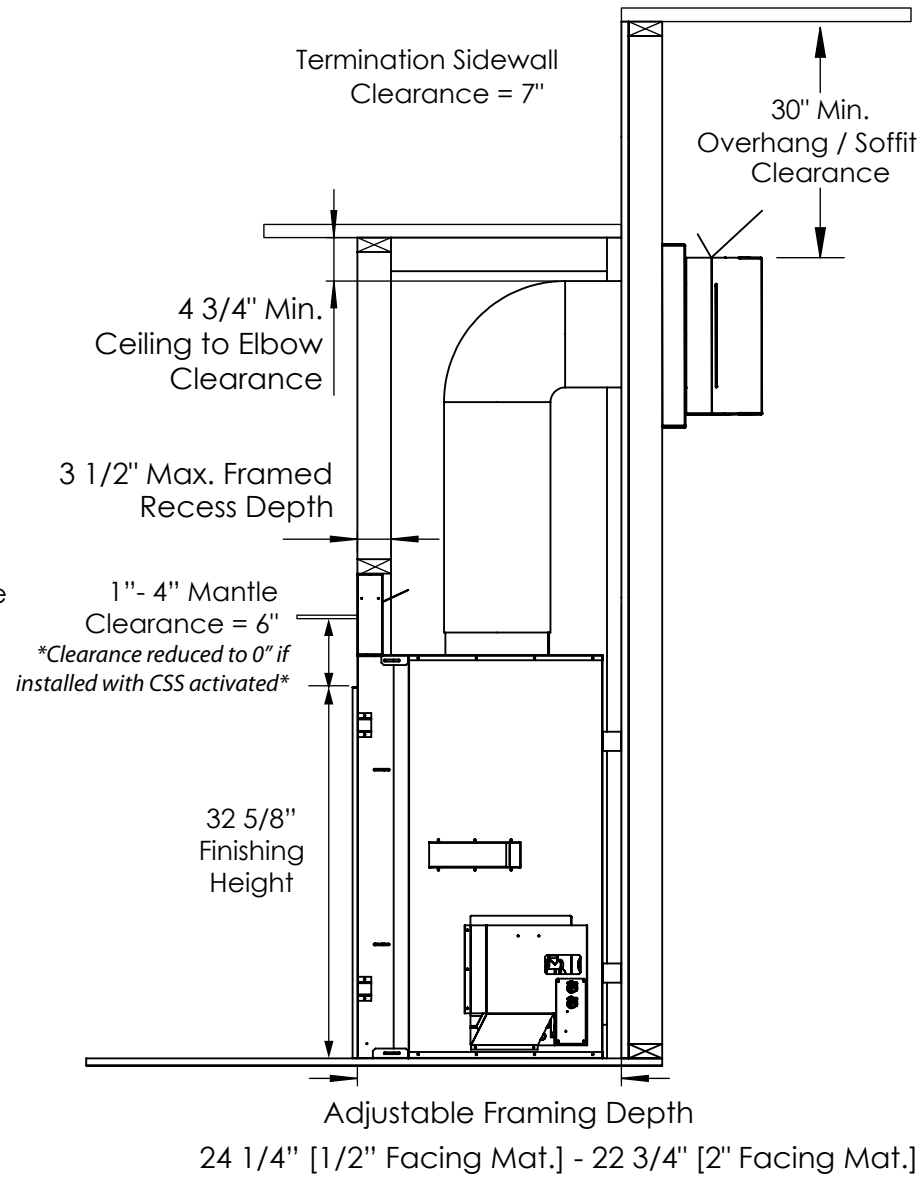


Sidewall Clearance In Front of
Fireplace = 3 1/2" from Tiling Edge

† Dependent on brand of 8x11 venting used. Additional
3" required if using Metal-Fab Sure-Seal †



Urbana Luxury Fireplaces

Part Description

U37 Framing & Clearances

SCALE - NOT TO SCALE

REV

DRAWN BY JM

DATE 08/06/21

UNLESS OTHERWISE SPECIFIED
ALL DIMENSIONS IN INCHES

GENERAL TOLERANCE: +/- 1/32"

SHEET 1 OF 1