



# GYROFOCUS GAZ

## Design Installation & Operating Manual

### ▲ WARNING

#### FIRE OR EXPLOSION

Failure to follow safety warning exactly could result in serious injury, death or property damage.

-Do not store or use gasoline or other flammable vapors and liquids in the vicinity of this or any other appliance.

#### -WHAT TO DO IF YOU SMELL GAS

- Do not try to turn on a device.
- Do not touch any electrical switches; do not use any telephones in your building.
- Leave the building immediately.
- Immediately call your gas supplier from a neighbor's phone. Follow the gas supplier's instructions.
- If you can't reach your gas supplier, call the fire department.

-Installation and maintenance must be performed by a qualified installer, service agency or the gas supplier.

#### INSTALLER :

Leave this manual with the unit.

#### CONSUMER :

Keep this manual for future reference.

Approuvé to  
ANSI Z21 50  
CSA 2.22

US EPA exempt



Intertek

This document was packed with the appliance.  
**KEEP THESE INSTRUCTIONS FOR FUTURE USE**

# Table of contents

# Introduction

Introduction .....	2
Specifications .....	3
■ INSTALLATION, OPERATION AND OWNER'S MANUAL .....	3
■ CHARACTERISTICS .....	6
■ ROOF OUTLET REQUIREMENT .....	8
■ CHIMNEY REQUIREMENT .....	8
■ STRUCTURAL REQUIREMENT .....	9
■ CONNECTOR .....	9
■ FRESH AIR INTAKE .....	9
■ APPLIANCE SHUT-OFF VALVE .....	10
■ CLEARANCE TO COMBUSTIBLES .....	10
Installation instructions .....	11
■ INCLUDED PARTS, MATERIALS AND REQUIRED TOOLS FOR INSTALLATION .....	11
■ OPTIONS .....	11
■ ASSEMBLY DETAILS	
A. JUNCTION SLEEVE DETAIL .....	11
B. ADJUSTABLE PLATE DETAIL .....	12
C. INSTALLATION DETAIL .....	13
■ INSTALLING THE GAS LINE .....	19
■ COMMISSIONING THE APPLIANCE	
A. PILOT IGNITION CHECK .....	20
B. MAIN BURNER CHECK .....	20
C. PRESSURE CHECK .....	20
D. BURNER PRESSURE ADJUSTMENT FOR HIGH ALTITUDES (≥ 2000 ')... ..	20
Operating instructions .....	24
■ PAIRING THE RECEIVER .....	24
■ ARRANGING THE CERAMIC FIRE-BED .....	25
■ BATTERY TYPE .....	28
■ GENERAL NOTES .....	28
■ MANUAL CONTROL .....	29
Maintenance .....	33
■ SERVICING INSTRUCTIONS .....	33
■ SURFACES .....	33
■ REPLACEMENT PARTS .....	33
Warranty .....	34
Appendix .....	35
■ MERTIK FAULT FINDING CHART .....	35
■ WIRING DIAGRAM .....	39
■ ADJUSTABLE SUSPENSION PLATE .....	40

Please read this entire manual before you install and use your focus fireplace. Failure to follow instruction may result in property damage, bodily injury or even death. When this room heater is not properly installed, a house fire may result. To reduce the risk of fire, follow the installation instructions. Contact local building or fire officials about restrictions and installation inspection requirements in your area.

The installation must conform with local codes or, in the absence of local codes, the National Fuel Gas Code, ANSI Z223.1/NFPA 54, or the Natural Gas and Propane Installation Code, CSA B149.1.

## **KEEP THIS MANUAL HANDY FOR EASY REFERRAL.**

All **WARNING** and **CAUTION** statements will appear in bold font and upper case letters: **THEY SHOULD BE STRICTLY OBSERVED.**

Thank you for choosing focus fireplaces.

Appliance designation: gyrofocuz gaz

## **Manufacturer:**

Focus - Atelier Dominique Imbert  
Le fort – 34380 Viols le fort – France.

# Specifications

## ■ INSTALLATION, OPERATION AND OWNER'S MANUAL

This appliance may be installed in an aftermarket permanently located, manufactured home (USA only), where not prohibited by local codes. This appliance is only for use with the type of gas indicated on the rating plate. This appliance is not convertible for use with other gases unless a certified kit is used.

### ▲ WARNING

**FIRE OR EXPLOSION HAZARD FAILURE TO FOLLOW SAFETY WARNINGS EXACTLY COULD RESULT IN SERIOUS INJURY, DEATH, OR PROPERTY DAMAGE.**

**- DO NOT STORE OR USE GASOLINE OR OTHER FLAMMABLE VAPORS AND LIQUIDS IN THE VICINITY OF THIS OR ANY OTHER APPLIANCE.**

**- WHAT TO DO IF YOU SMELL GAS**

- Do not try to light any appliance.
- Do not touch any electrical switch; do not use any phone in your building.
- Leave the building immediately.
- Immediately call your gas supplier from a neighbor's phone. Follow the gas supplier's instructions.
- If you cannot reach your gas supplier, call the fire department.

**- INSTALLATION AND SERVICE MUST BE PERFORMED BY A QUALIFIED INSTALLER, SERVICE AGENCY OR THE GAS SUPPLIER.**

INSTALLER: Leave this manual with the appliance.

CONSUMER: Retain this manual for future reference.

Children and adults should be alerted to the hazards of high surface temperature and should stay away to avoid burns or clothing ignition.

### ▲ WARNING

This Natural vent (B-vent) system appliance must be installed as an OEM installation in manufactured homes (USA only) or an aftermarket permanently located, or a mobile home, where not prohibited by local codes and must be installed in accordance with Manufacturer's instructions and the Manufactured Home Construction and Safety Standard, Title 24 CFR, Part 3280, in the United States, or the Standard for Installation in Mobile Homes, CAN/CSA Z240 MH Series, in Canada.

If the information in these instructions is not followed exactly a fire or explosion may result causing property damage, personal injury or death.

### ▲ WARNING

#### ELECTRICAL GROUNDING

THESE NATURAL VENT APPLIANCES MUST BE ELECTRICALLY GROUNDED IN ACCORDANCE WITH THE LOCAL CODES OR, IN THE ABSENCE OF LOCAL CODES, WITH NATIONAL ELECTRIC CODE, ANSI/NFPA 70, OR THE CANADIAN ELECTRIC CODE, CSA C22.1

# Specifications

## ▲ WARNING

### INSTALLATION AND SERVICE

**INSTALLATION AND SERVICE MUST BE PERFORMED BY AN AUTHORIZED QUALIFIED INSTALLER, SERVICE AGENCY OR GAS SUPPLIER.**

**ANY ALTERATION TO THE PRODUCT THAT CAUSES SOOT OR CARBON TO FORM AND RESULTS IN DAMAGE IS NOT THE RESPONSIBILITY OF THE MANUFACTURER.**

## ▲ WARNING

### GAS APPLIANCE

**THIS APPLIANCE IS ONLY FOR USE WITH THE TYPE OF GAS INDICATED ON THE RATING PLATE. THESE APPLIANCES ARE NOT CONVERTIBLE FOR USE WITH OTHER GASES, UNLESS A CERTIFIED KIT IS USED AND THE CONVERSION IS PERFORMED BY AN AUTHORIZED QUALIFIED TECHNICIAN.**

**APPLICABLE STANDARDS ARE VENTED GAS FIREPLACE HEATERS ANSI Z21.88 / CSA 2.33A AND GAS-FIRED APPLIANCES FOR USE AT HIGH ALTITUDES CAN/CGA 2.17-M91.**

This gas fireplace and vent assembly **MUST** be vented directly to the outside and **MUST NEVER** be attached to a chimney serving a separate solid fuel burning appliance. Each gas appliance **MUST BE** a separate vent system. Common vent systems are prohibited.

This unit **MUST** be used with a vent system as described in this installation manual. **NO OTHER** vent system or components **MAY BE USED**.

**INSPECT** the external vent cap on a regular basis to make sure that no debris, plants, trees, shrubs are interfering with the air flow.

**NEVER OBSTRUCT** the flow of ventilation air. Keep the front of the appliance **CLEAR** of all obstacles and materials for servicing and proper operation.

**TURN OFF** the gas before servicing the appliance. It is recommended that a qualified service technician perform an appliance check-up/service once a year.

Any safety screen or guard removed for servicing **MUST BE REPLACED** before operating this appliance.

**THIS UNIT IS NOT FOR USE WITH SOLID FUEL**, and must only be used with gas supply conditions as indicated on the data label.

**DO NOT** use this heater as a temporary source of heat during construction.

This appliance is a **DOMESTIC ROOM HEATING APPLIANCE**. It must not be used for any other purposes such as drying clothes, etc.

# Specifications

If the Flame Supervision Device is extinguished either intentionally or unintentionally, no attempt should be made to re-light the gas until at least 3 minutes have elapsed.

Vented decorative gas appliance: not a source of heat ; not for use with solid fuel.

Do not use this appliance if any part has been under water. Immediately call a qualified service technician to inspect the appliance and to replace any part of the control system and any gas control which has been under water

Clothing or other flammable material should not be placed on or near the appliance.

Any safety screen, guard, or barrier removed for servicing an appliance must be replaced prior to operating the appliance.

Installation and repair should be done by a qualified service person. The appliance should be inspected before use and at least annually by a professional service person. More frequent cleaning might be required due to excessive lint from carpeting, bedding material, et cetera. It is imperative that control compartments, burners, and circulating air passageways of the appliance be kept clean.

Due to high temperatures, the appliance should be located out of traffic and away from furniture and draperies.

## ▲ CAUTION

### **HOT HOT HOT !!!**

This appliance is a **HEATING** appliance and it does become very hot in operation.

### **CHILDREN and PETS**

Radiant heat can heat surfaces such as the surround and trims of the fireplace to temperatures that, although approved safe, can be quite uncomfortable to touch - particularly for children and pets. Children and pets should always be supervised when in the room where the appliance is located. Remote control handset should be kept out of reach of children. In the presence of children, we **STRONGLY RECOMMEND** that you install in front of the fireplace: a fire screen or, to protect young toddlers, a "hearth gate".

### **HOT SURFACES**

Be aware that, although safe, some combustible materials and finishes, even though installed at listed clearances may, over time, discolor, warp or show cracks.

Convective heat will exit the unit and travel up the wall surface if not impeded. Protruding mantels and projections can help direct the heat away from the wall. **AVOID PLACING** heat sensitive items such as televisions, paintings, decorations, etc. above fireplaces or near the edge of protrusions unless appropriate.

# Specifications

## ▲ CAUTION

**DO NOT INSTALL IN A MOBILE HOME. NOT FOR EXTERIOR INSTALLATION!**

**DO NOT CONNECT TO OR USE IN CONJUNCTION WITH ANY AIR DISTRIBUTION DUCTWORK!**

**NOT TO INSTALL WITH MASONRY CHIMNEY SYSTEM.**

**DO NOT INSTALL IN SLEEPING ROOM.**

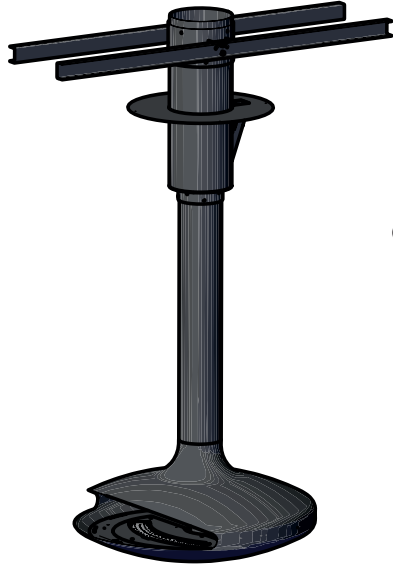
- The authority having jurisdiction (such as municipal building department, fire department, fire prevention bureau, etc.) Should be consulted before installation to determine the need to obtain a permit.
- Using make-shift compromises during installation can cause damage. Such installation is not covered under focus limited warranty.
- When this room heater is not properly installed, a house fire may result. To reduce the risk of fire, follow the installation instructions. Contact local building or fire officials about restrictions and installation inspection requirements in your area.

## ■ CHARACTERISTICS

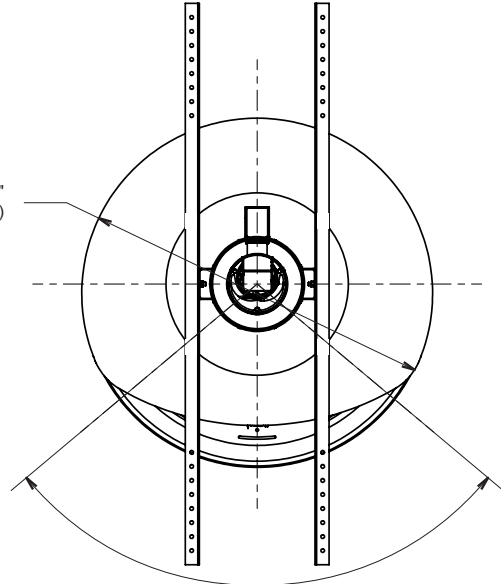
- Hearth 49-7/32-inch (1.25m) diameter; weight 330 lbs (150 kg)
- Flue diameter: 8-3/8-inch (219mm) ; length custom-made
- Flue weight: 10,6 lbs per foot (16kg per meter)
- 1/8-inch (3 mm) thick steel
- High heat resistant paint
- Guaranteed efficiency with a minimum flue length (interior and exterior) of 14' (4.25m)

Model			Gyrofocus Gas	
Gas			Natural	Propane
Input Maximum	Elevation ≤ 2000 ft (610 m)	Btu/hr	46000	37500
	Elevation ≥ 2000 ft (610 m)	Btu/hr	54000	42000
Input Minimum	Btu/hr		17000	11000
Supply Pressure	in w.g.		7	11
	kpa		1.74	2.74
Manifold Pressure Maximum	in w.g.		6	10.5
	kpa		1.4	2.6
Manifold Pressure Minimum	in w.g.		2	6
	kpa		0.25	0.34
Main Burner Injector Marking			1200	400
Pilot Injector Marking			OP9043	OP9288

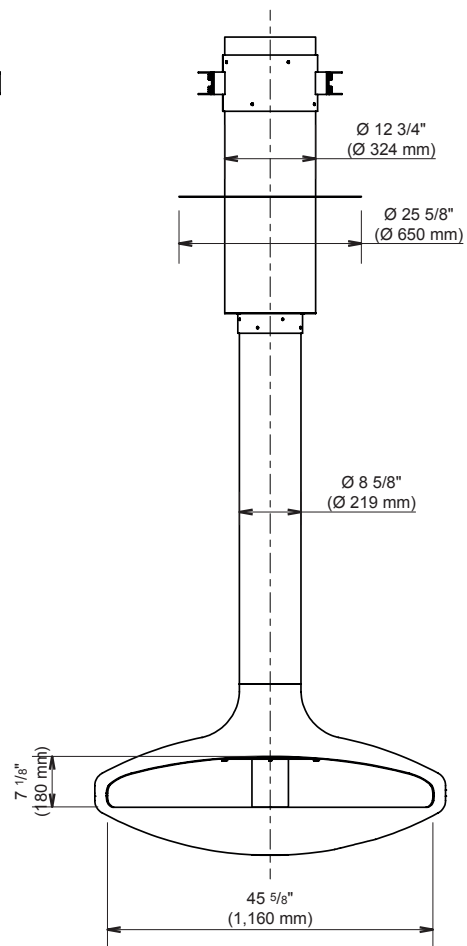
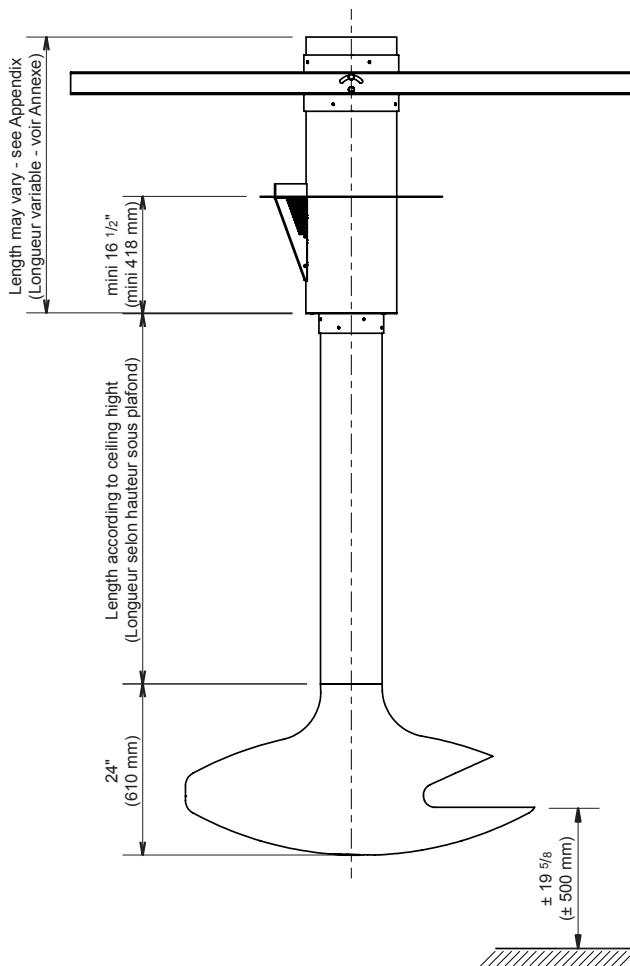
# Specifications



Ø 49 1/4"  
(Ø 1,250 mm)

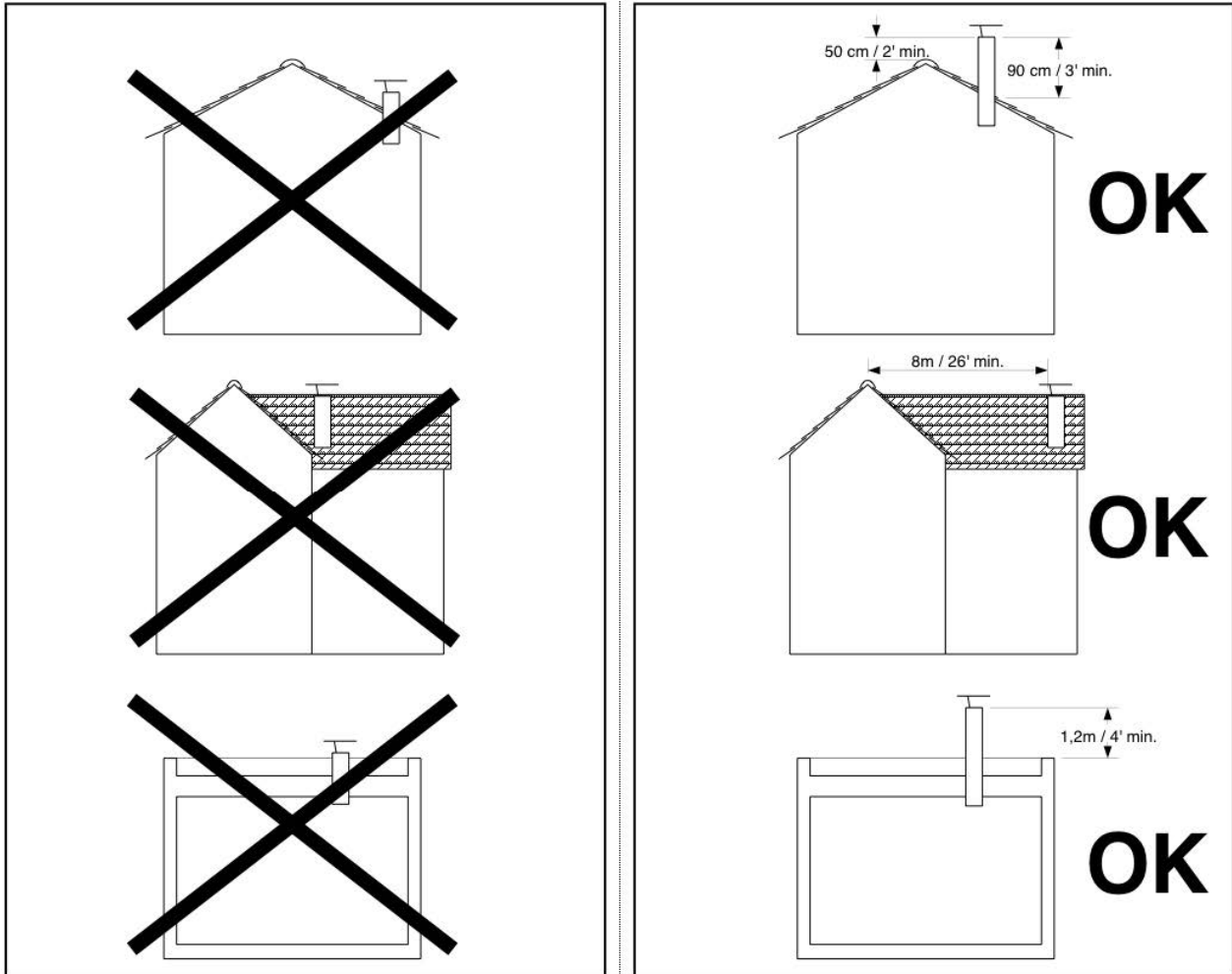


100°



# Specifications

## ■ ROOF OUTLET REQUIREMENT



## ■ CHIMNEY REQUIREMENT

**Do not connect this unit to a chimney flue serving another appliance!**

Gyrofocus GAS requirement: the total length of flue (inside + outside) must be 14 feet minimum (17 feet for an installation less than 3 miles from the ocean or if a 30° elbow is necessary).

The Gyrofocus GAS must be connected to a chimney complying with the requirements for Type HT chimneys in the standard for Chimneys, Factory-built, Residential Type and Building Heating Appliance, UL 103 / ULC S629. For example, a class A insulated stainless steel flue chimney system with an 8-inch minimum inside diameter.



# Specifications

## ■ STRUCTURAL REQUIREMENT

### ▲ CAUTION

THE SUPPORT OF THE ANCHOR PLATE (ROOF STRUCTURE, SLAB, ETC.) MUST BE SIZED IN CONGRUENCE WITH THE FIREPLACE STATIC AND DYNAMIC CHARGES. THE SIZE CALCULATION FOR THE SUPPORT IS NOT THE RESPONSIBILITY OF FOCUS OR ITS AFFILIATES. IT IS YOUR RESPONSIBILITY TO CONSULT WITH AN ENGINEER OR ARCHITECT FOR YOUR PROJECT.

## ■ CONNECTOR

Connectors are all non-insulated chimney parts including focus flue, focus 8" universal adaptor and the chimney manufacturer finishing collar with adapter.

To avoid heat traps the chimney connector shall not pass through an attic or roof space, closet or similar concealed space, or a floor, or ceiling.

Passage through an attic, roof frame floor, or ceiling must be done using an insulated chimney respecting all chimney manufacturer clearances.

### ▲ CAUTION

PASSAGE THROUGH A WALL OR PARTITION OF COMBUSTIBLE CONSTRUCTION IS NOT AN APPROPRIATE INSTALLATION FOR THIS FOCUS FIREPLACE.

## ■ FRESH AIR INTAKE

For optimum functioning, focus recommends a fresh air intake in the room (ideally under of the fire). We recommend deflect-O A0684 semi rigid aluminium duct.

Minimum fresh air intake size:

### fresh air intake

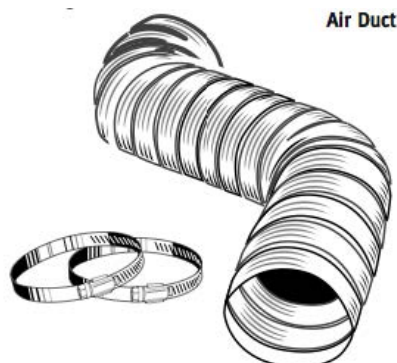


or



31 in<sup>2</sup>

Ø 6"

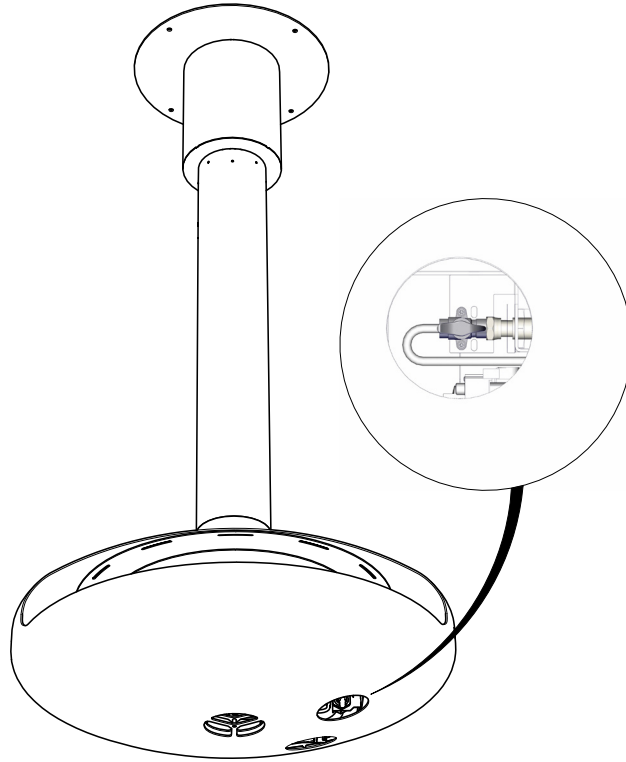


### IMPORTANT

This fresh air intake is compulsory when operating venting appliances such as kitchen hoods, permanent air extractors or any appliances creating an air depression in the habitation.

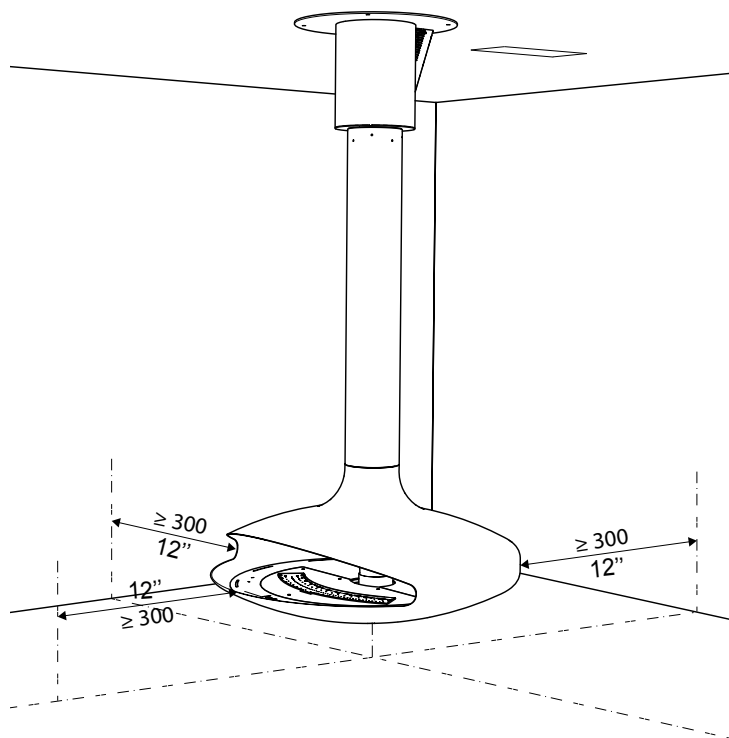
# Specifications

## ■ APPLIANCE SHUT-OFF VALVE



## ■ CLEARANCE TO COMBUSTIBLES

Safety clearance distances from combustible materials.



# Installation instructions

## ■ INCLUDED PARTS, MATERIALS AND REQUIRED TOOLS FOR INSTALLATION

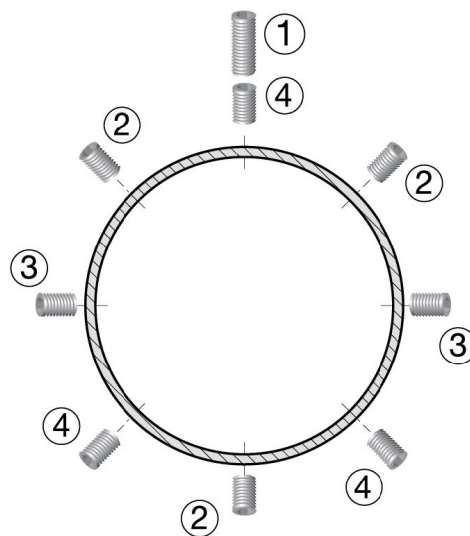
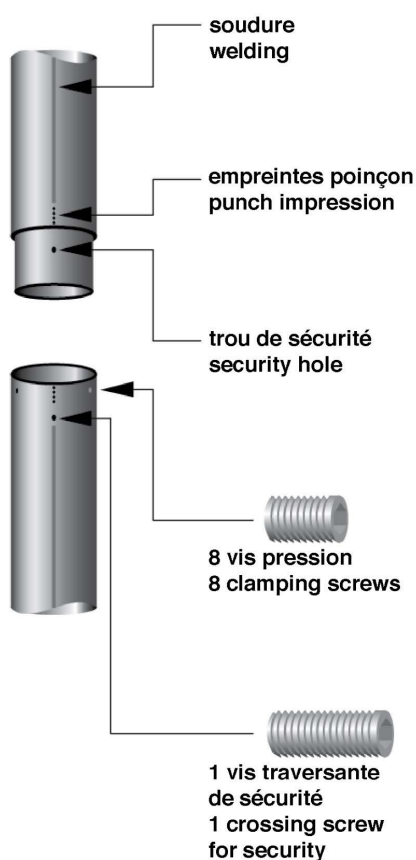
- Appliance and designated parts are the fire box, anchor plate, steel flue pipe, focus kit (heat protective glove, mounting gloves, can of touch-up paint, ash removal hatch), and insulating washers.
- Required tools: drill, M8 allen key, level, screwdrivers, M5 key, scaffolding (up to underceiling height), refractory compound.
- 2 persons minimum are required for installation.

## ■ OPTIONS

- Custom anchor steel plate (inclined...)
- Focus steel flue extension

## ■ ASSEMBLY DETAILS

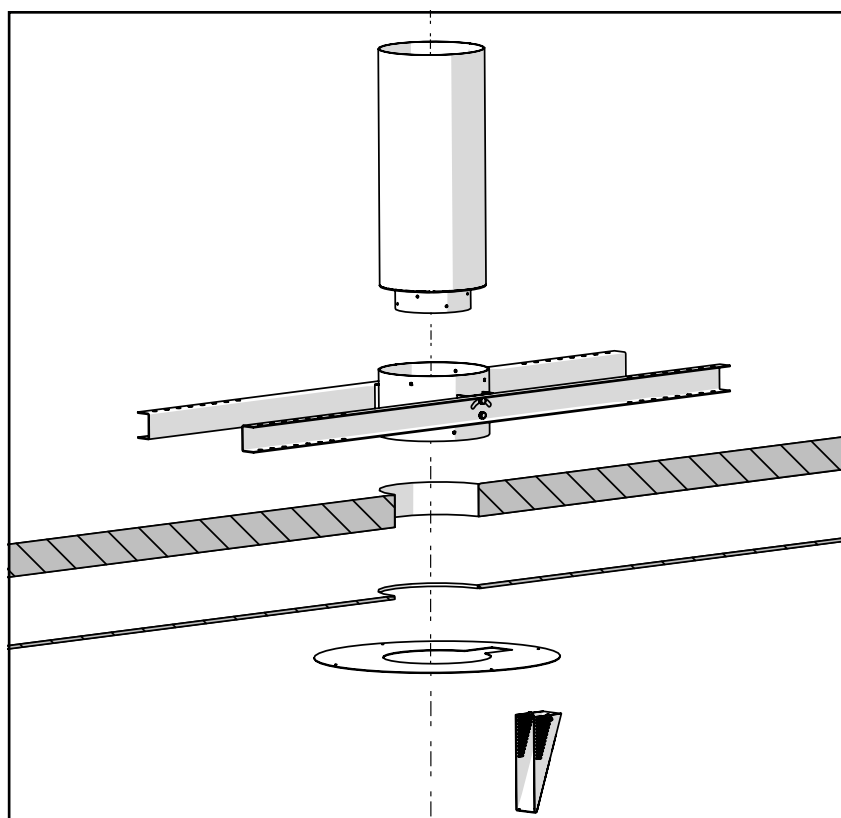
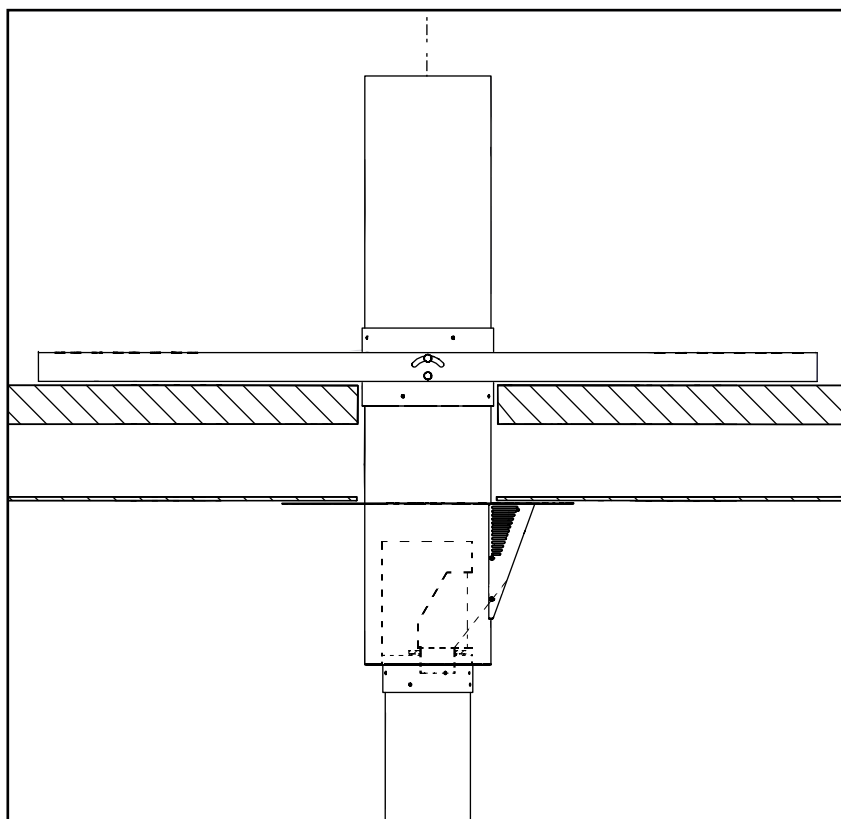
### A. JUNCTION SLEEVE DETAIL



**NOTE :** The junction sleeves are provided only when the floor to ceiling height in the room requires several focus pipe in several parts.(you may not find a junction sleeve on 9 feet or less ceiling height)

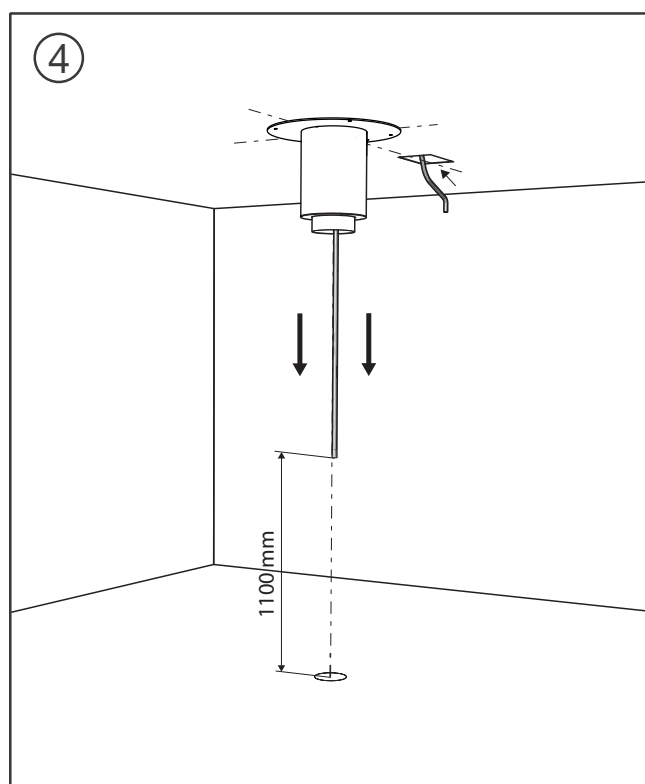
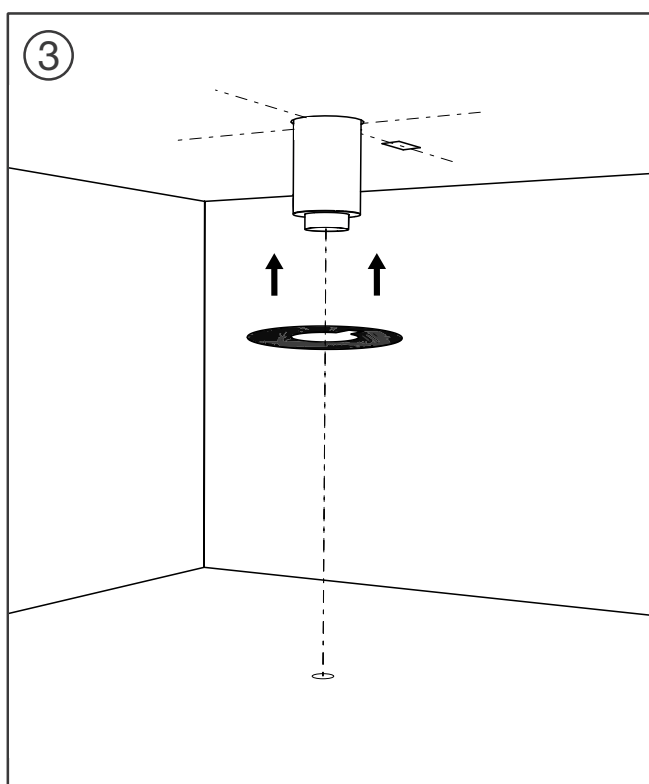
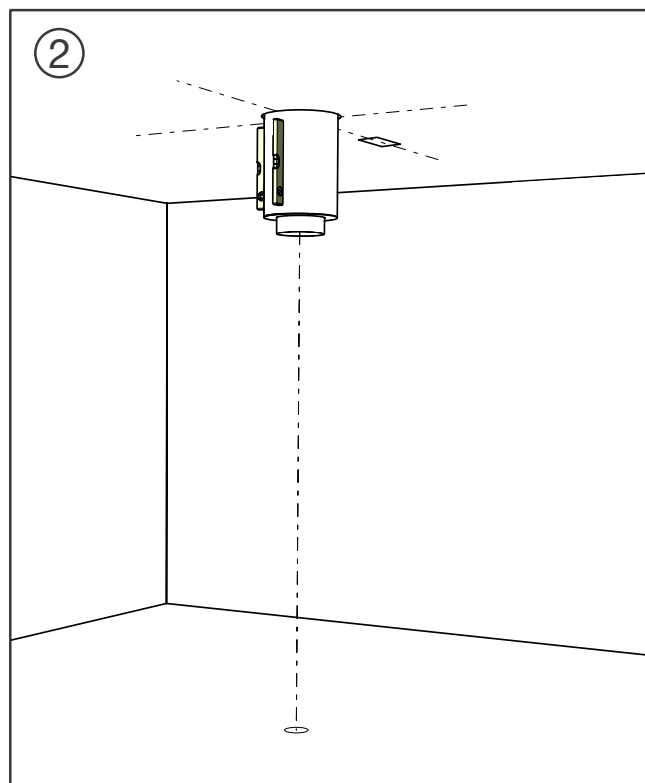
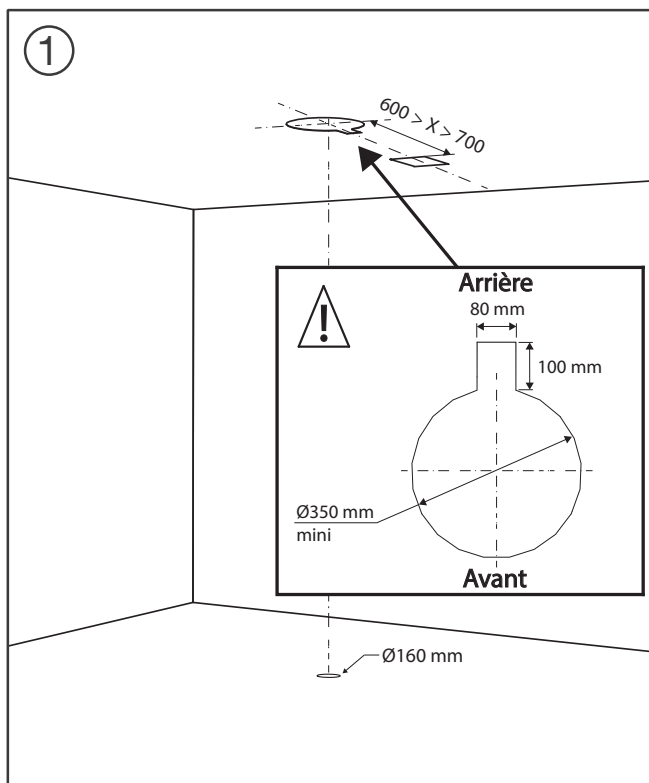
# Installation instructions

## B. ADJUSTABLE PLATE DETAIL

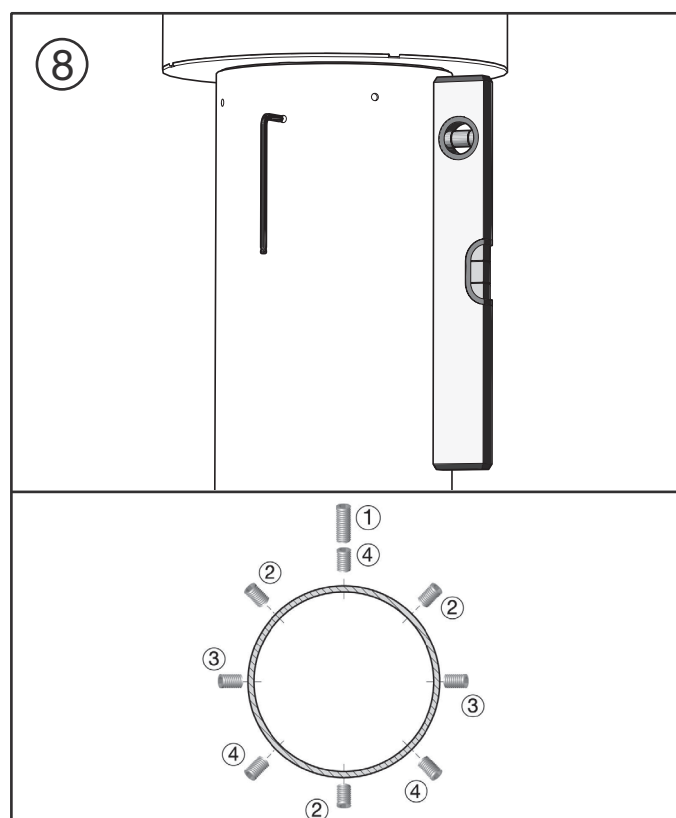
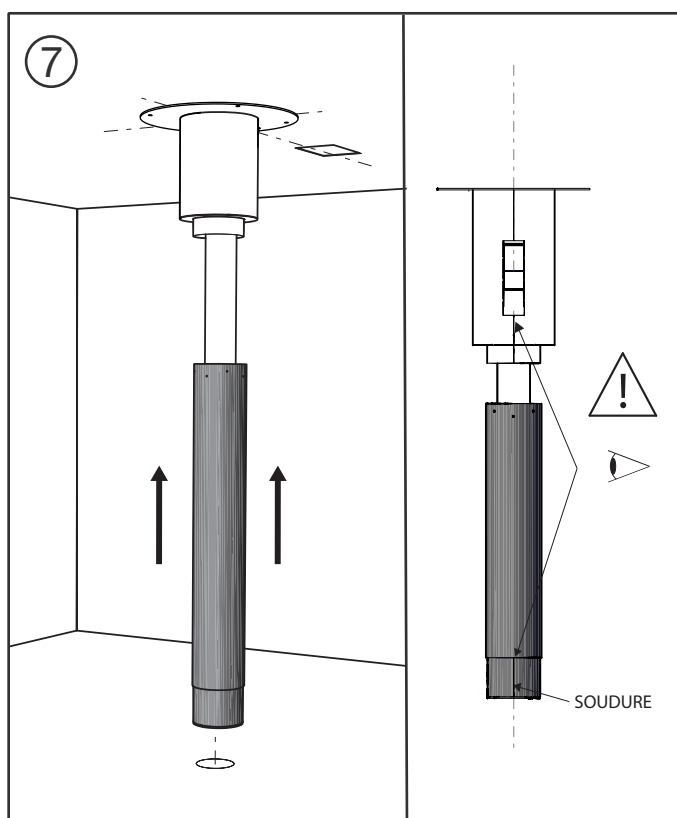
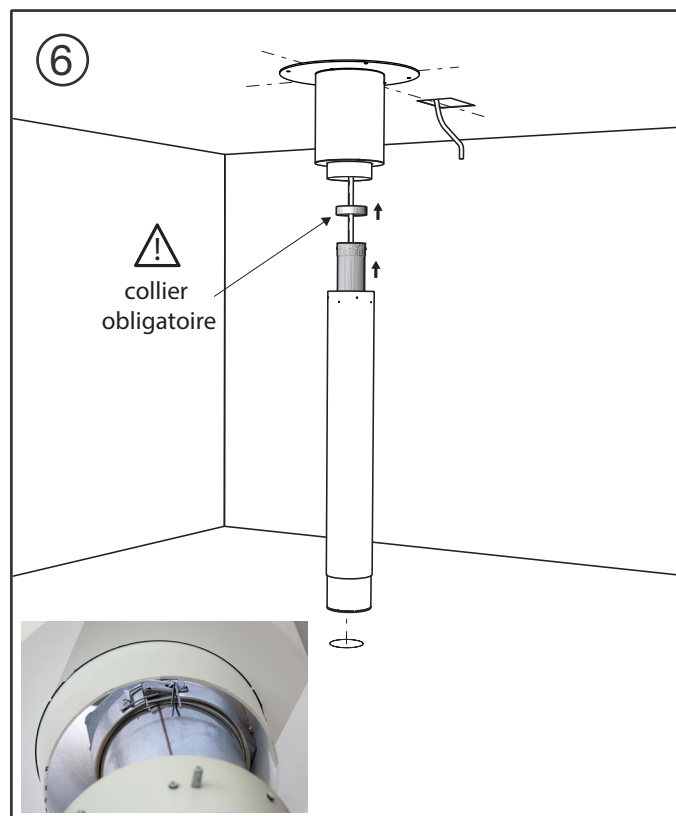
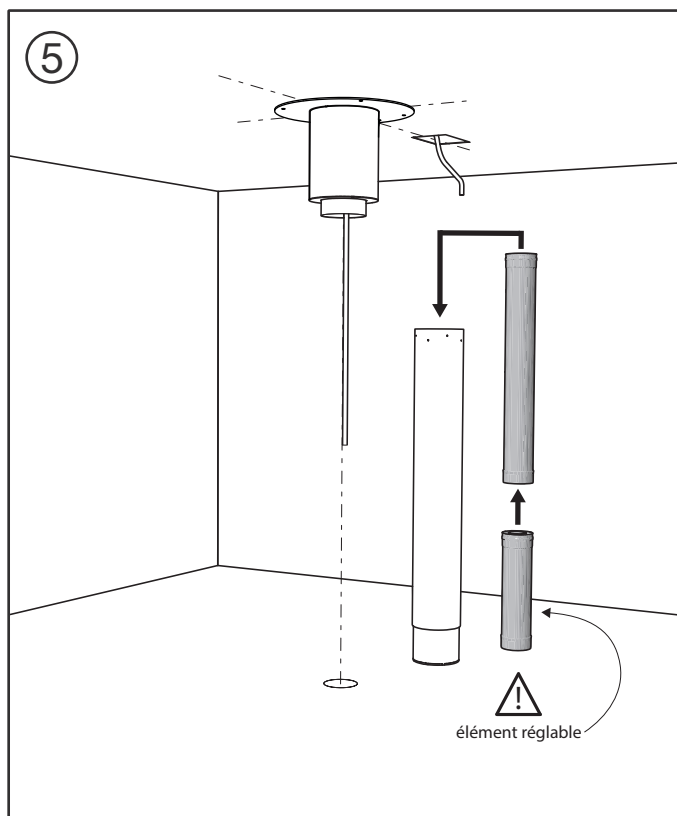


# Installation instructions

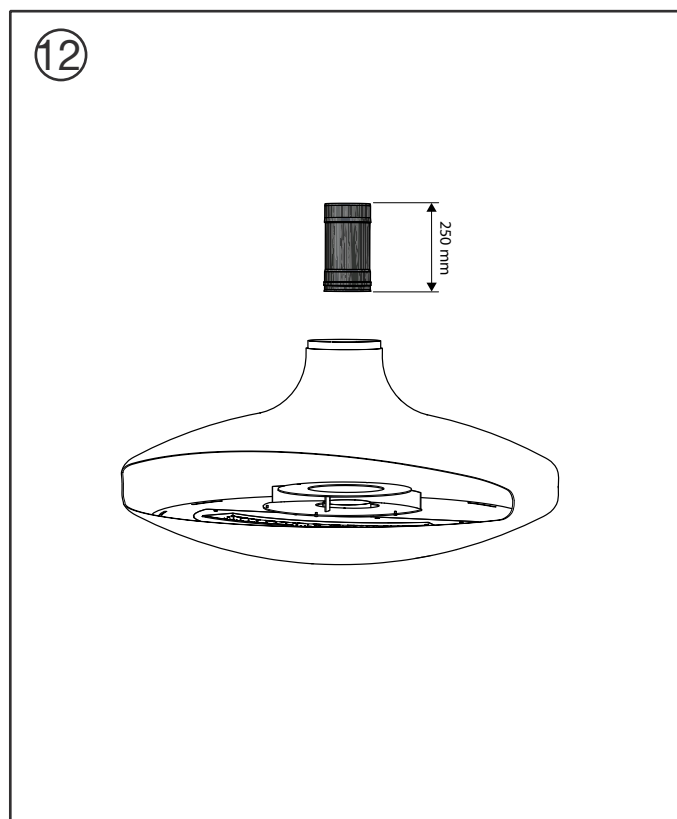
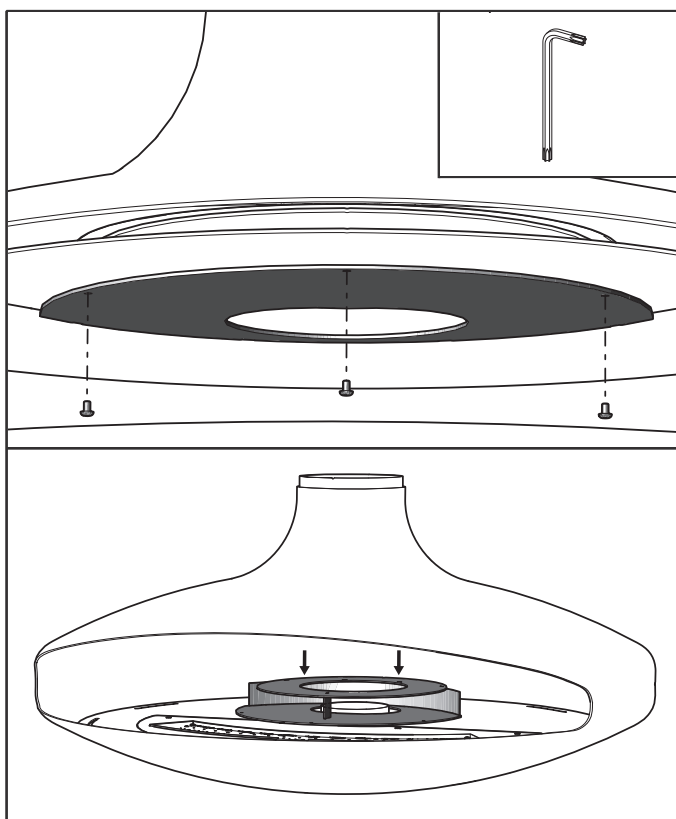
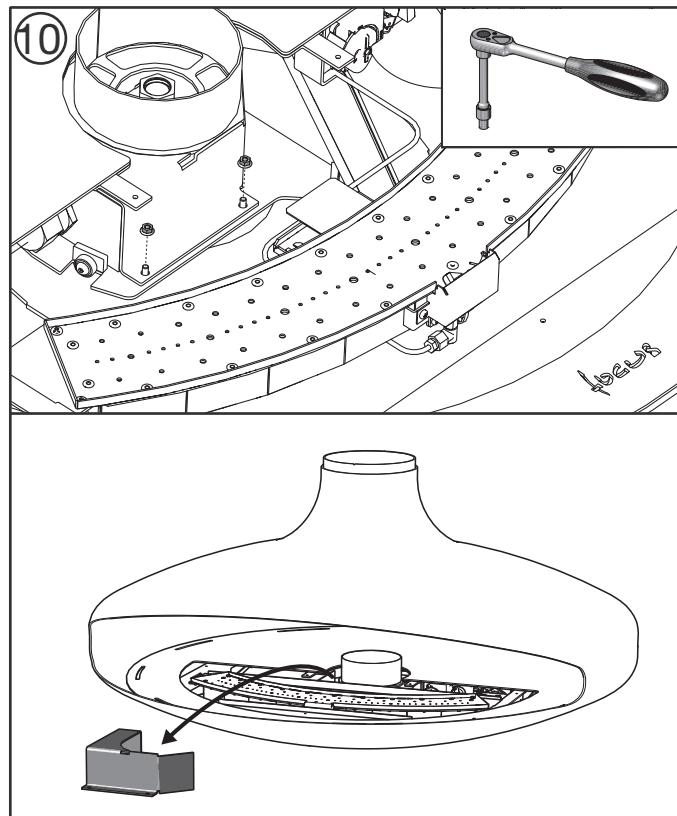
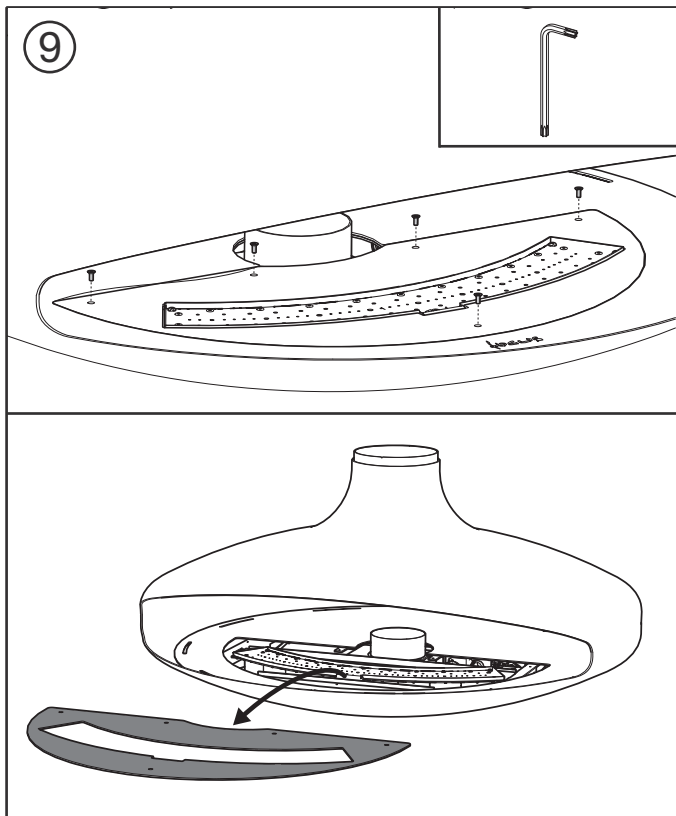
## C. INSTALLATION DETAIL



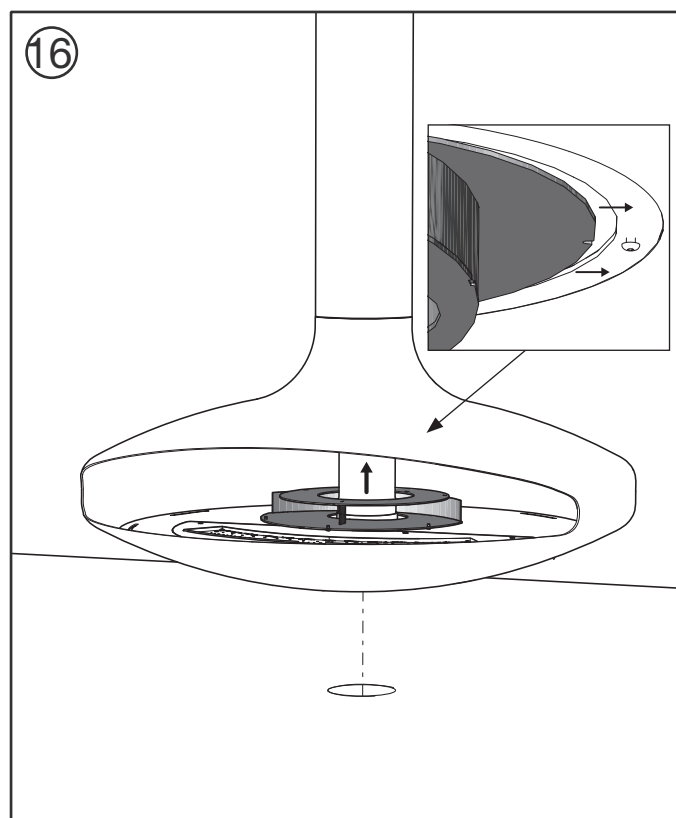
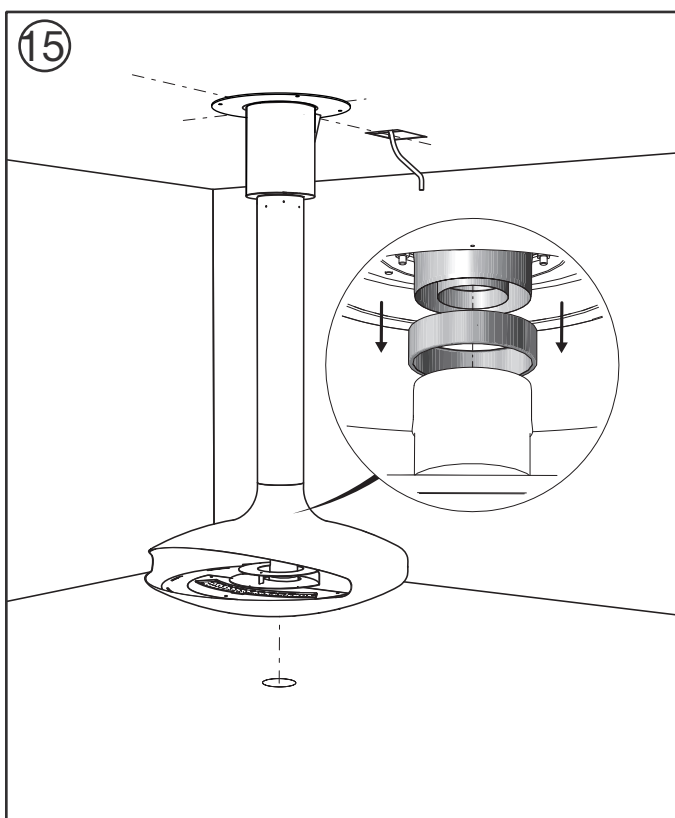
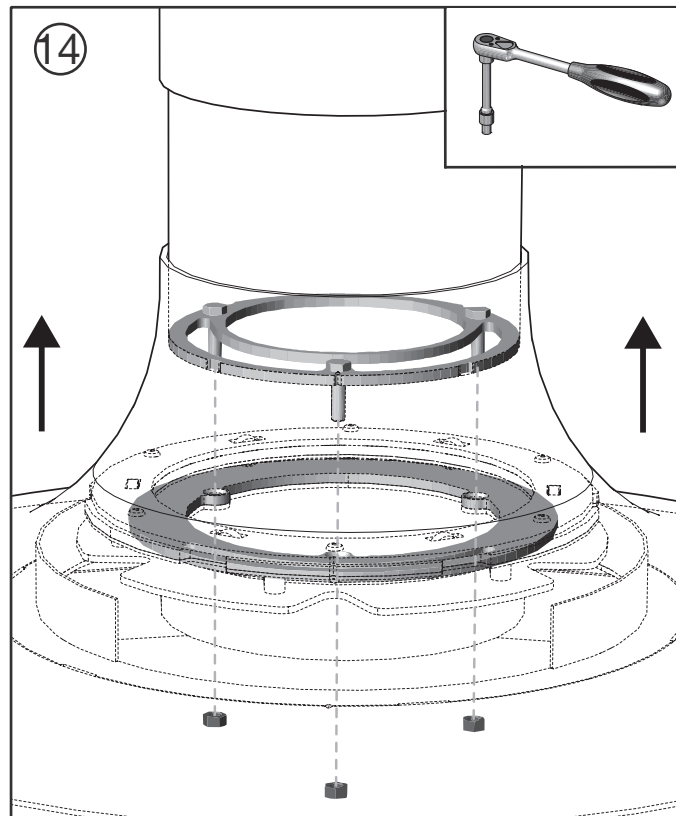
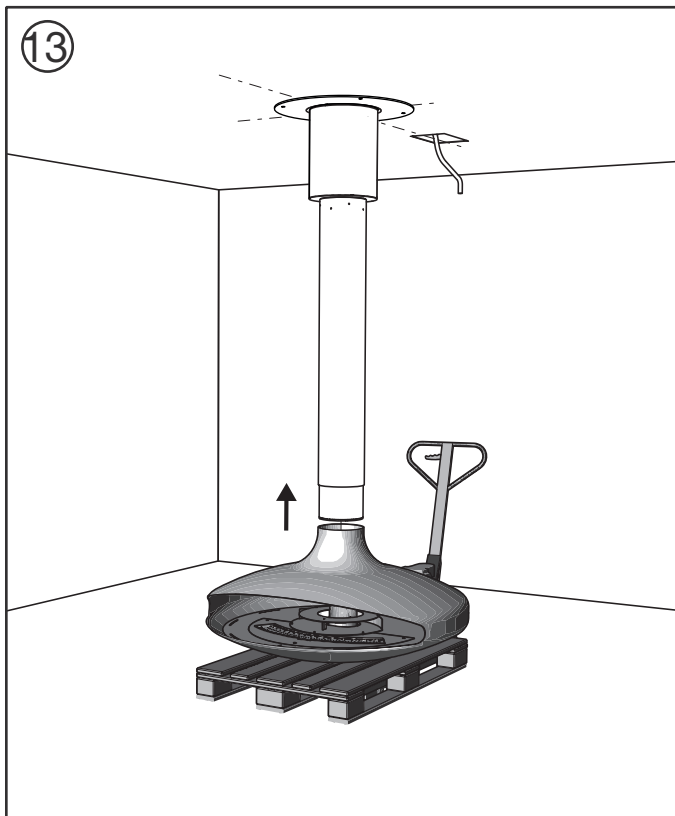
# Installation instructions



# Installation instructions

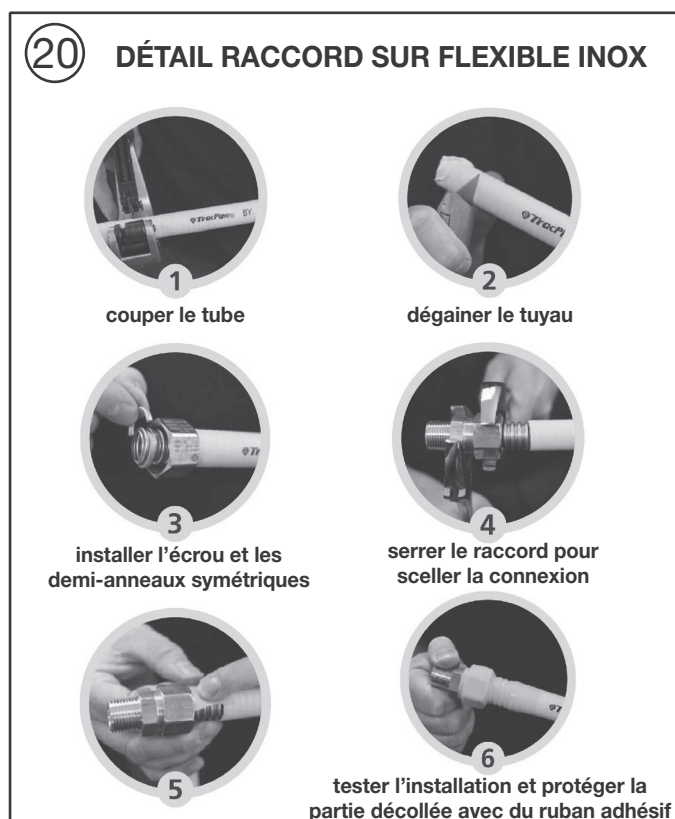
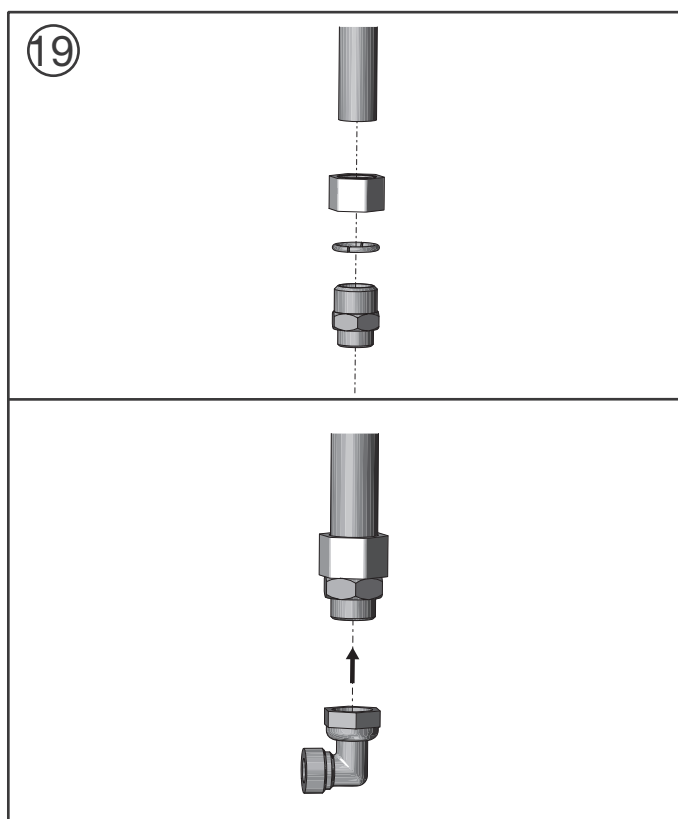
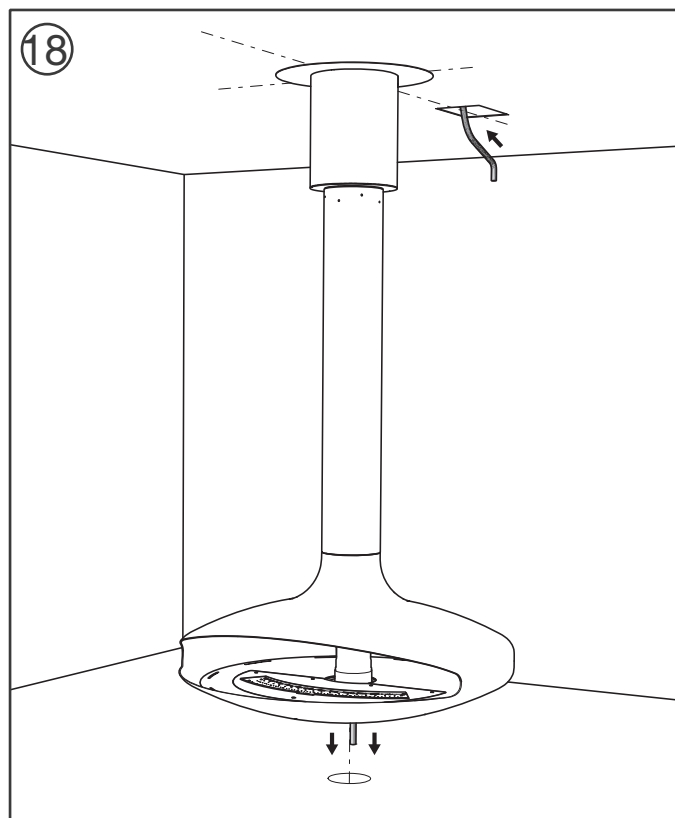
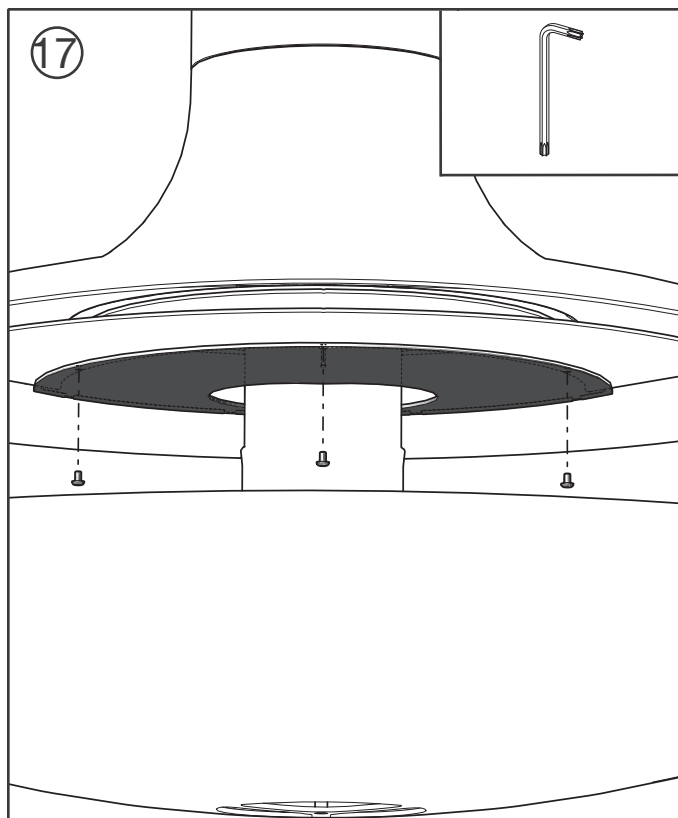


# Installation instructions

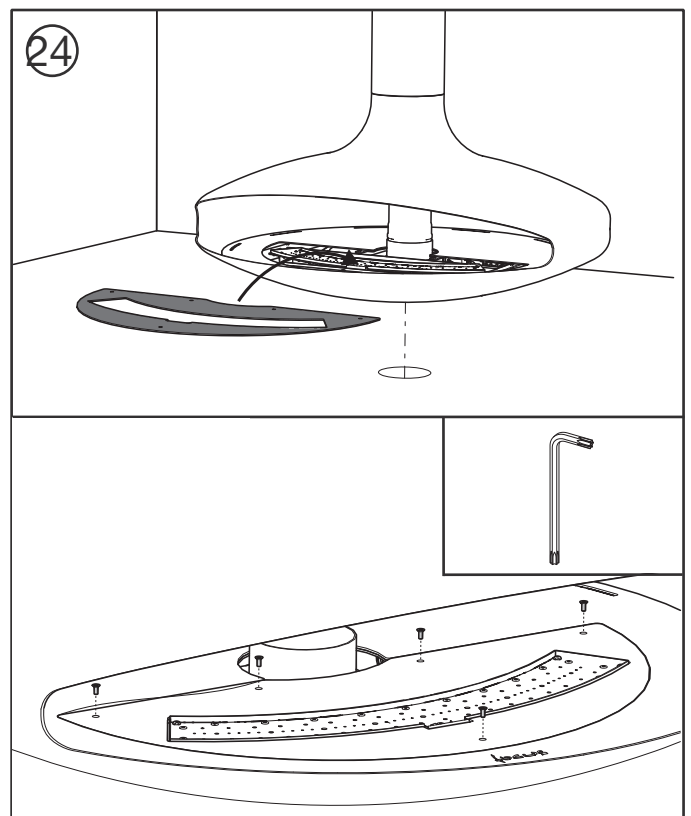
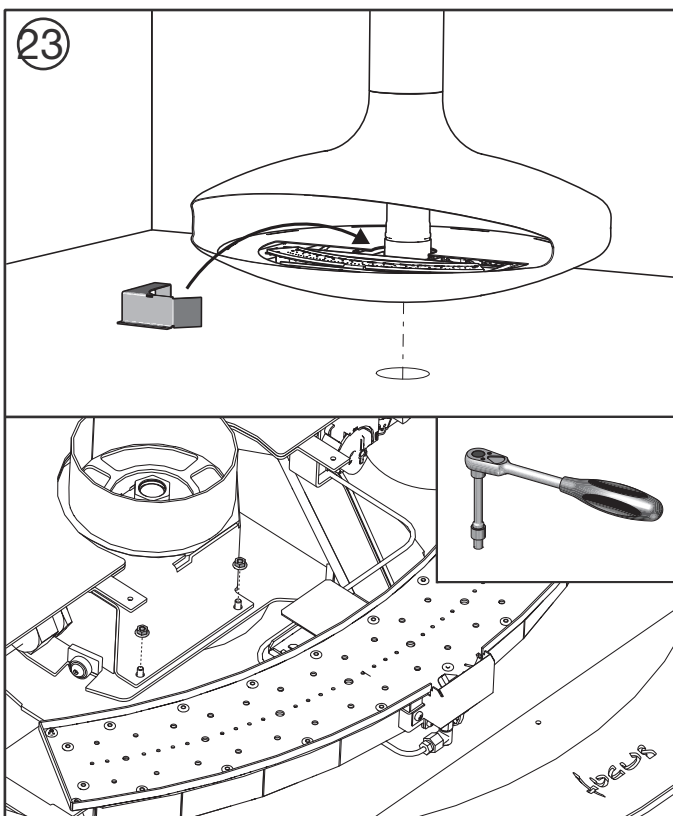
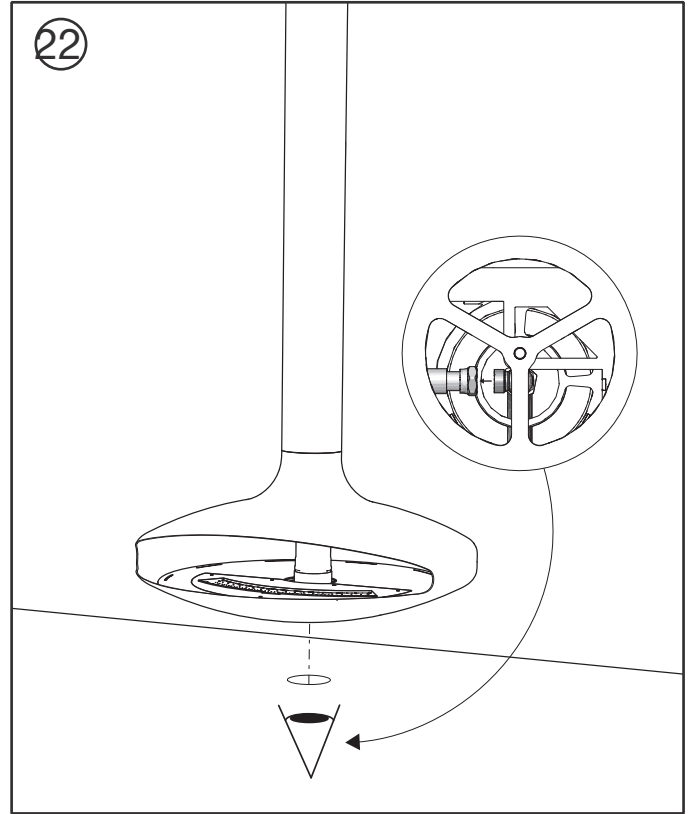
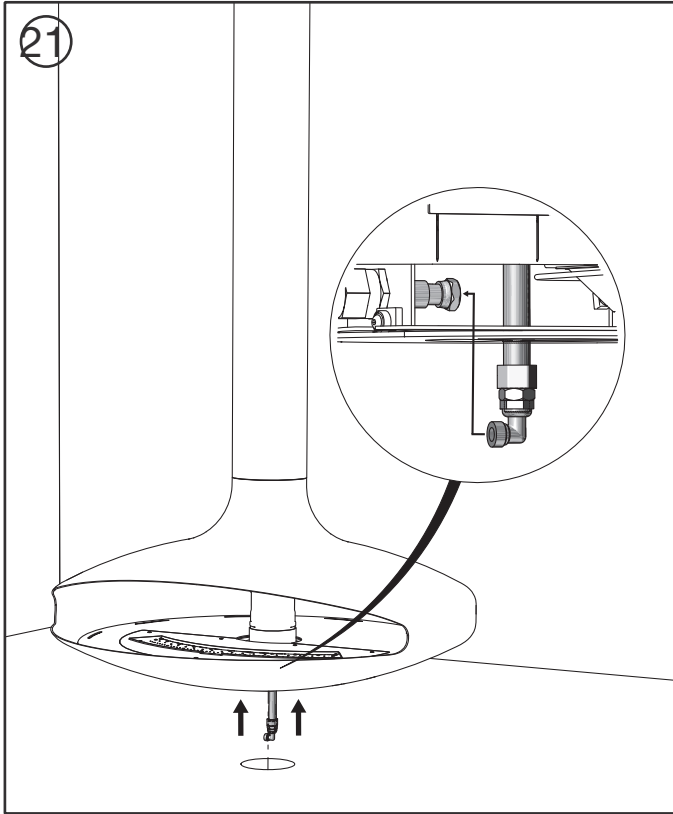




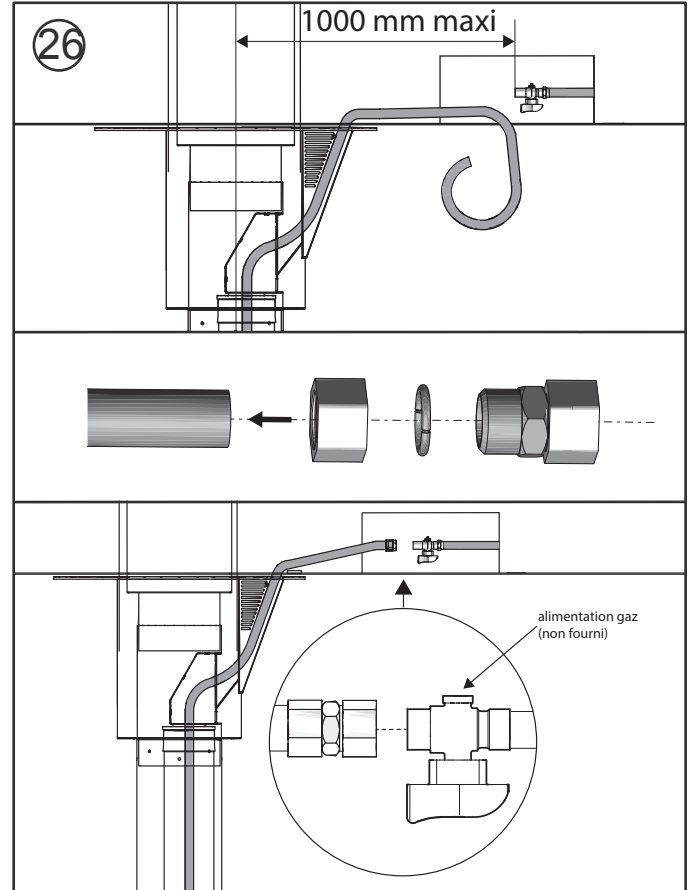
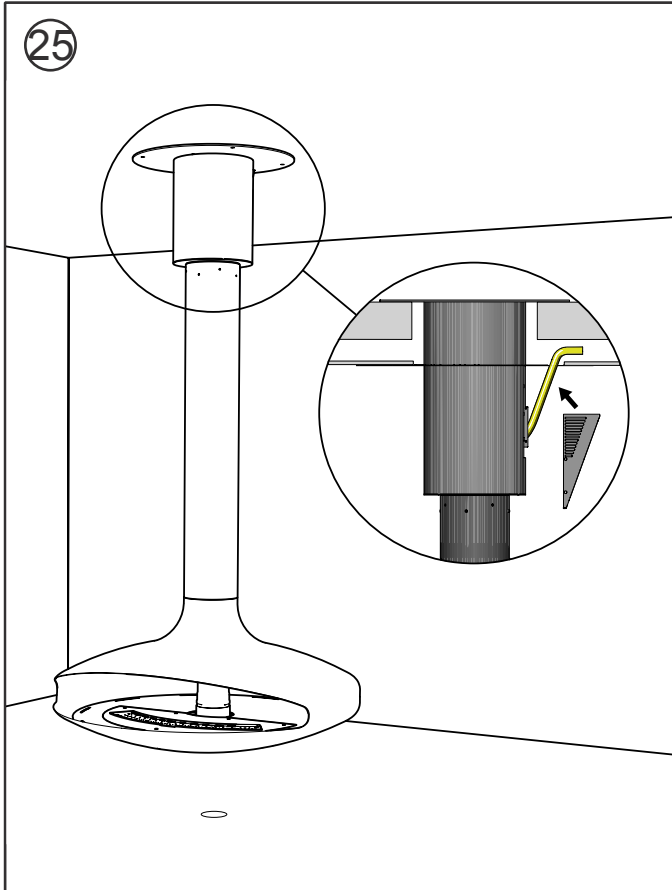
# Installation instructions



# Installation instructions



# Installation instructions



## ■ INSTALLING THE GAS LINE

- Correctly size and route the gas supply line from the supply regulator to the area where the appliance is to be installed as per requirements outlined in the latest edition of the National Fuel Gas Code, NFPA 54 (USA) or CAN/CSA-B1491 (Canada).

Never use galvanized or plastic pipe, unless specified specifically for use with gas. Gas lines must be routed, constructed and made of materials that are in strict accordance with local codes and regulations. A qualified individual such as a plumber or gas fitter should be hired to correctly size and route the gas supply line to the appliance.

Installing a gas supply line from the fuel supply to the appliance involves numerous considerations of materials, protection, sizing, locations, controls, pressure sediment, and other criteria. Sizing and/or installing of gas piping should only be performed by a qualified individual.

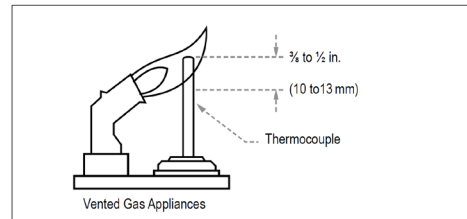
# Installation instructions

## ■ COMMISSIONING THE APPLIANCE

### A. PILOT IGNITION CHECK

1. Ignite the pilot light as described in the User Instructions
2. Check that the pilot flame stays alight
3. Extinguish the pilot light

The pilot flame should envelope  $3/8''$  to  $1/2''$  of the thermocouple



### B. MAIN BURNER CHECK

1. Ignite the pilot light as described in the User Instructions
2. Turn on the main burner as described in the User Instructions
3. Check that the pilot smoothly cross-lights to the main burner and that the main burner and pilot stay alight
4. Check the operation of the «effect» burners as described in the User Instructions
5. Extinguish the appliance fully

### C. PRESSURE CHECK

The appliance is preset to give the correct heat inputs as listed in the technical details. No further adjustment is necessary. Always check the inlet pressure and burner pressure.

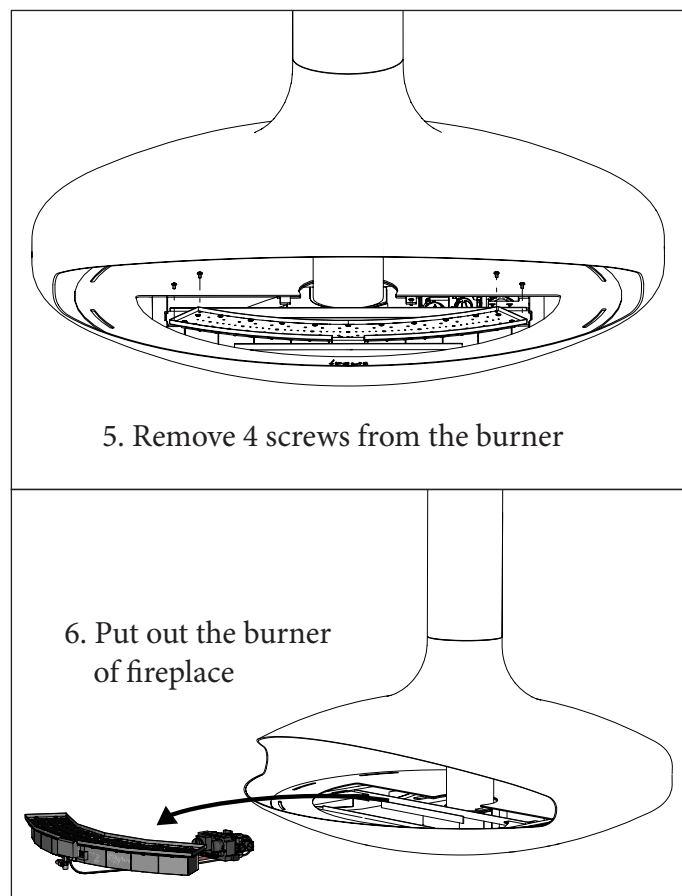
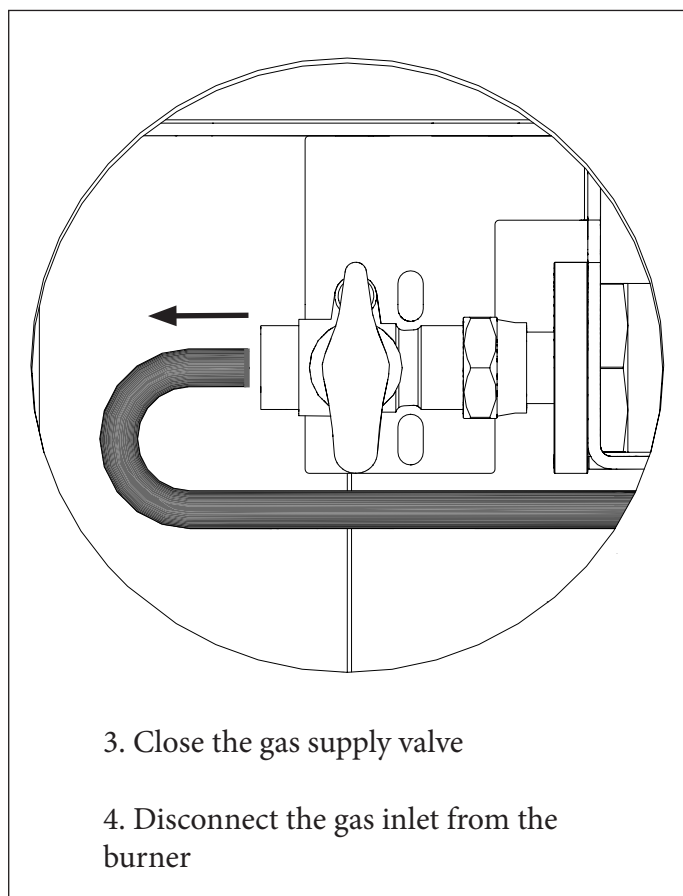
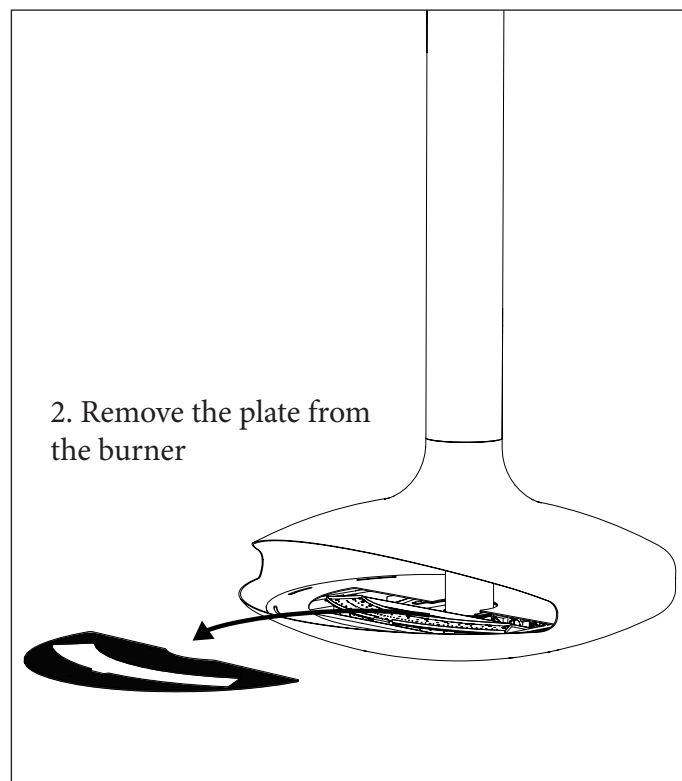
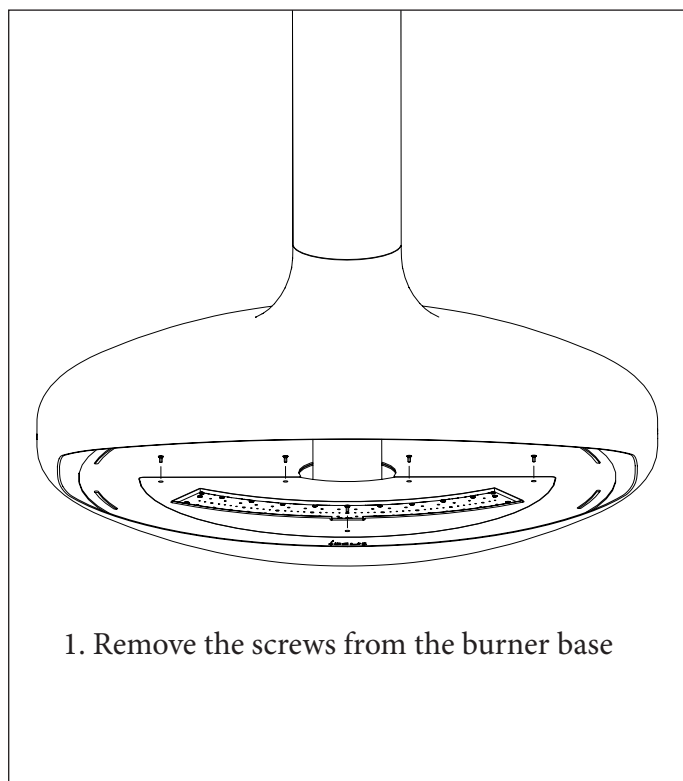
1. Turn off the gas valve on the appliance
2. Release the screw on the Inlet Pressure test point on the gas valve and connect a manometer
3. Check that the measured pressure is as the prescribed supply pressure
4. Perform the test when the appliance is burning on full (inc. «effect» burners) and with only the pilot alight
5. If the pressure is low, check the gas supply pipes are too a correct sizing
6. If the pressure is too high (more than 5 mbar over) the appliance may be installed, but the gas supply company should be contacted
7. Release the screw on the Burner Pressure test point on the gas valve and connect a manometer
8. Check that the measured pressure is as detailed in the Technical details
9. The measured value should be within +/- 10% of the described value. If this is not the case, please contact the supplier.

**NOTE:** After checking the pressures and removing the manometers, the screws in the Pressure Test points must be closed, and the system must be checked for gas-tightness.

### D. BURNER PRESSURE ADJUSTMENT FOR HIGH ALTITUDES ( $\geq 2000'$ )

The conversion shall be carried out by a manufacturer's authorized representative, in accordance with the requirements of the manufacturer, provincial, or territorial authorities having jurisdiction and in accordance with the requirements of the CSA B149.1 or CSA B149.2 installation codes.

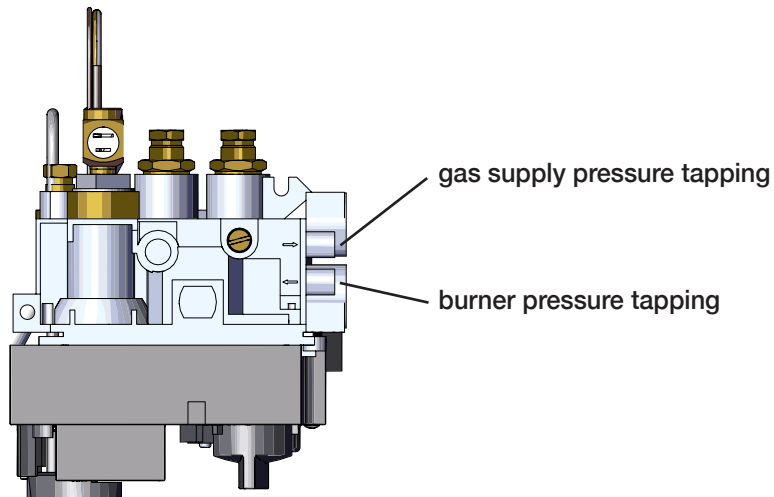
# Installation instructions



# Installation instructions

## 7. Measuring the Burner Pressure :

The picture below shows the two Pressure Measuring Tappings available on the control. There is an arrow by each tapping. The first arrow points into the control, this is the Gas Supply Pressure, the second arrow is pointing outwards from the control.



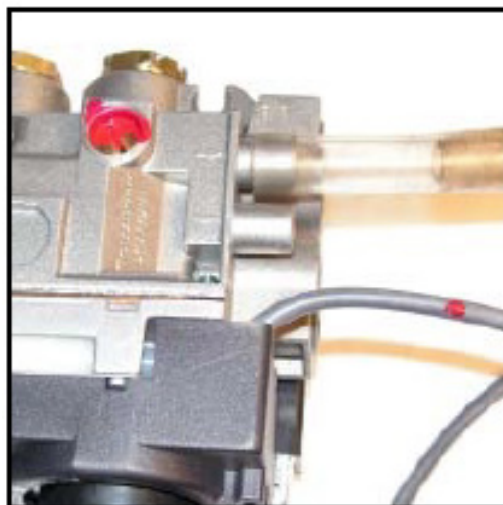
The Gas Supply pressure is governed by the regulator at the gas supply, and the pipework to the appliance, this point can be used to measure the supply pressure at the appliance.

It is the Burner Pressure Tapping that is important for this operation.

With the control in the OFF position, release (but do not remove) the screw inside the tapping, and connect the tube of the Manometer to the Tapping.

Now ignite the burner.

The value shown on the manometer is the Burner Pressure.

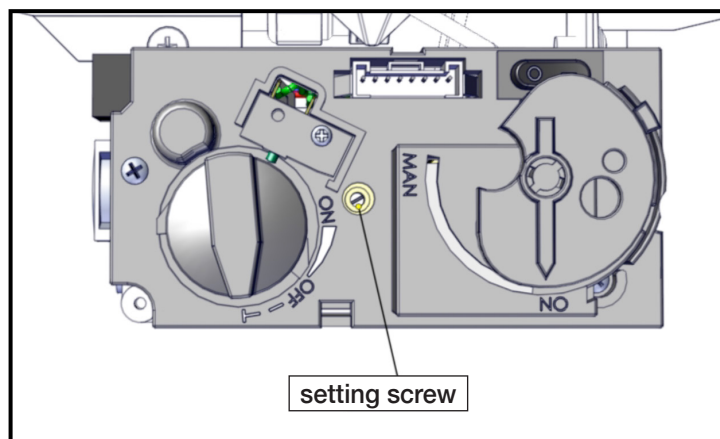


# Installation instructions

## 8. Setting the burner pressure :

The setting screw is accessible through a hole in the front cover of the control, this maybe blocked off by a plastic plug, in this case remove the plug.

Adjust the setting screw until the burner pressure reaches 4.5" WG for Natural Gas and 8" WG for Propane Gas. This value should be set when the burner has been alight for approximately 10 minutes and the burner is hot.





8. Turn off the burner, remove the tube and tightened the screw.

9. Complete and paste the following label after conversion :

This appliance has been converted for use at high altitude of : <input type="text"/> ft
Orifice size (Injector size) : <input type="text"/>
Manifold Pressure : <input type="text"/> WG"
Input : <input type="text"/> BTU/Hr
Date of Conversion : <input type="text"/>
Converted by : <input type="text"/>
Please note this Appliance (Gyrofocus) Model N° <input type="text"/> can be installed up to a high altitude of 4500'

# Operating instructions

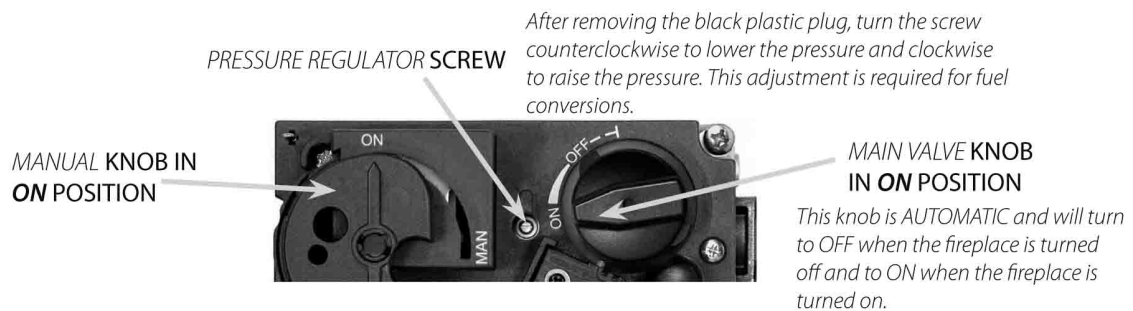
## ■ PAIRING THE RECEIVER

1. Press and hold the receiver reset button using a small, long tool until you hear the second of two beeps. After the second beep release the reset button.
2. Press and hold the  button on the remote until you hear the second of two beeps. Release the  button.

If you hear one long beep, this indicates the pairing sequence has failed or the wiring is incorrect. Re-synch the remote.



## GAS VALVE KNOBS



**Note!** For normal operation the *MANUAL* knob on the gas valve cannot be in the **MAN** position; it must be fully in the **ON** position.



# Operating instructions

## ■ ARRANGING THE CERAMIC FIRE-BED

Only the ceramics supplied with this appliance are to be used. The ceramics must be laid only as shown on the following pages. Replacement parts including mat are available from your dealer, but should only be installed by a qualified installation engineer.

### LOG KIT PARTS IDENTIFICATION



vermiculite black



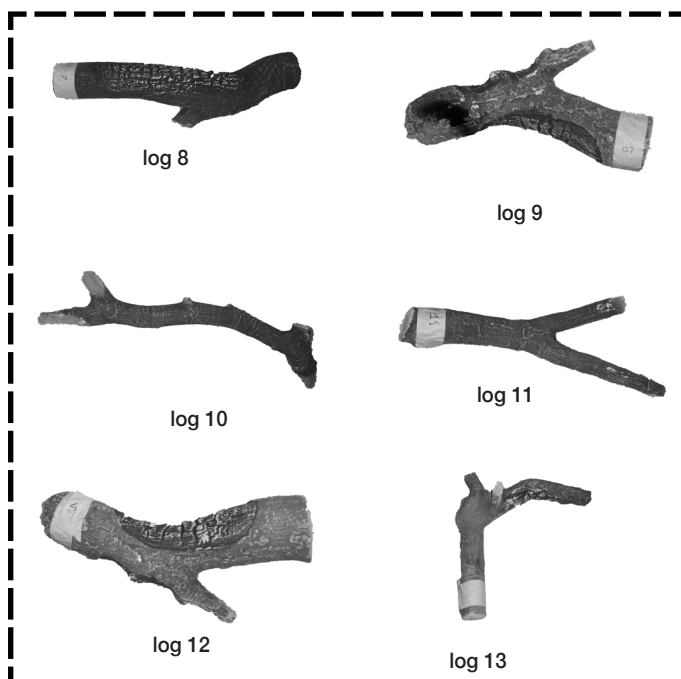
black small pebbles



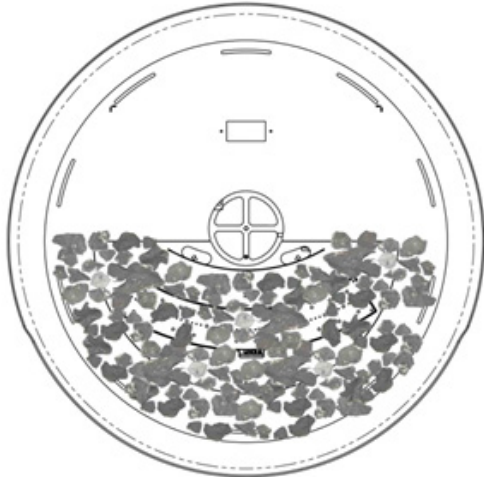
grey chips



### ADDITIONAL LOGS



# Operating instructions



Scatter the grey chips as shown above, making sure that no grey chips enter the Pilot area.



Lay Log 3 as shown above.



Lay log 1 as shown above.



Lay Log 4 as shown above.



Lay Log 2 as shown above.



Lay Log 5 as shown above.

# Operating instructions



Scatter black vermiculites, black small pebbles and lay additional logs as you want on the gray area

Lay Log 6 as shown above.

Lay Log 7 as shown above, the layout is now complete. Ensure that the Pilot area is still left clear, and check the correct lighting of the Pilot and that the Pilot cross lights to the main burner smoothly.

# Operating instructions

## ■ BATTERY TYPE

Receiver: 4x AA, R6 size.

Transmitter: 2 x AAA (Alkaline only).

## ■ GENERAL NOTES

### Notice

Wiring of valve and receiver must be completed before starting ignition. Failure to do so could damage the electronics.

### Batteries - Handset

- Low battery indicator on handsets.

### Batteries - Receiver

- Low battery indication: frequent beeps for 3 seconds when motor turns.

- An AC Mains adapter may be used instead of batteries.

- The module for fan speed control and light/dimmer includes mains power together with batteries in the receiver for automatic backup in case of power outage.

### Warning

- Without using a mains adapter, battery replacement is recommended at the beginning of each heating season.  
- Old or dead batteries should be removed immediately. If left in the unit the batteries can overheat, leak, and/or explode.

- Do NOT expose batteries (including during storage) to direct sunlight, excessive heat, fire, moisture, or severe impact. Each of these conditions can cause the batteries to overheat, leak, and/or explode.

- New and old batteries and different brands of batteries should not be used together. Mixing of various batteries can cause the batteries to overheat, leak, and/or explode.

### Software Version

Press **Ⓜ**, and **Ⓛ** buttons simultaneously. Software version is displayed.

### Handset Model Number

Press **Ⓜ** and **Ⓛ** buttons simultaneously. Handset model number is displayed.

## Deactivate Functions

1. Install batteries. All icons are displayed and flashing.
2. While the icons are flashing, press the relevant function button and hold for 10 sec.
3. The function icon will flash until deactivation is complete. Deactivation is complete when the function icon and two horizontal bars are displayed.

NOTE: If a deactivated button is pressed, there is no function, and two horizontal bars are displayed.

NOTE: Deactivation remains in effect after change of batteries.

## Activate Functions

1. Install batteries. All icons are displayed and flashing.
2. To activate a function, press the relevant button and hold for 10 sec.
3. The function icon will continue to flash until activation is complete. Activation is complete when the function icon is displayed.

The following Functions can be Deactivated/Activated

- Child proof
- Program mode
- Thermostatic Mode (also deactivates PROGRAM MODE)
- Eco Mode
- Light/Dimmer operation
- Circulating Fan Operation
- Auxiliary Feature
- Countdown Timer

Setting the electronic code  
(First time use only)

### Radio frequency Handset

A code is selected automatically for all Mertik Maxitrol electronics from among 65.00 codes available. The receiver must be paired with the handset.

# Operating instructions

## MANUAL CONTROL

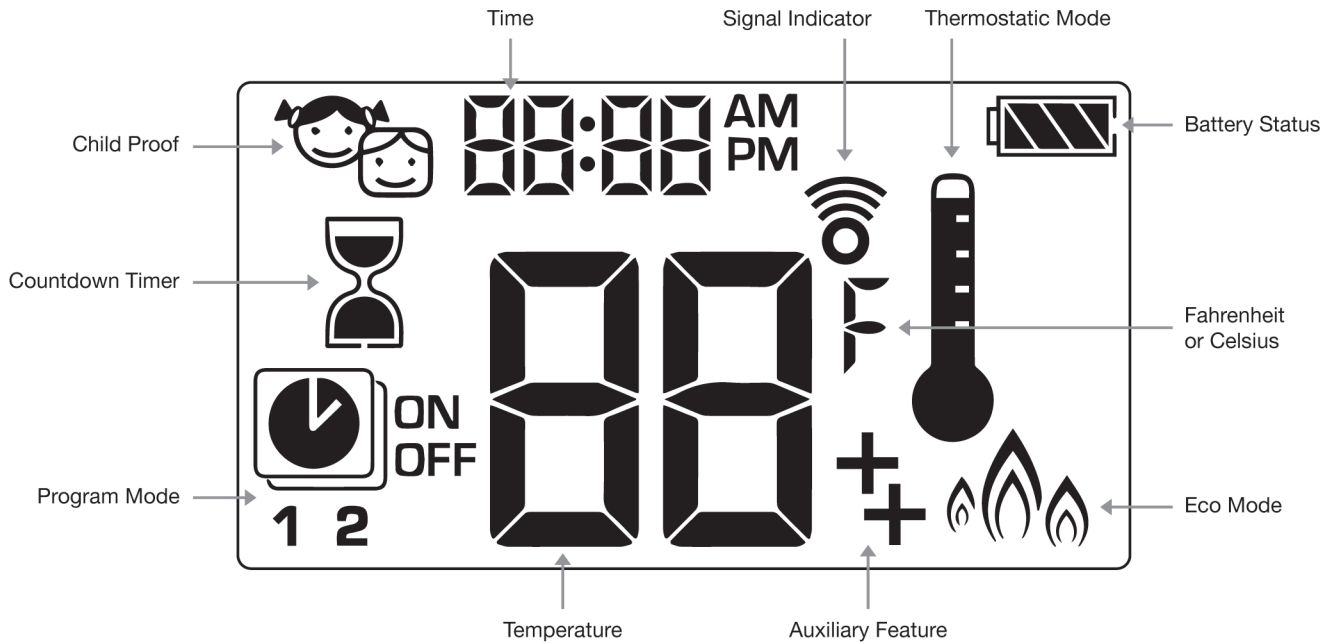


Figure 01: 8-symbol Display

### A. SETTING FAHRENHEIT OR CELSIUS



To change between °C and °F, press and buttons simultaneously.

**NOTE:** Choosing °F results in a 12 hour clock. Choosing °C results in a 24 hour clock.

### C. CHILD PROOF



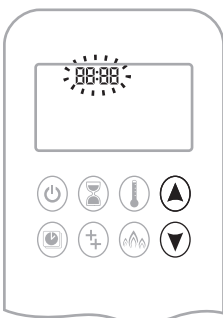
**ON:**

To activate press and buttons simultaneously. displayed and the handset is rendered inoperable, except for the off function.

**OFF:**

To deactivate press and buttons simultaneously. disappears.

### B. SETTING THE TIME



1. Press and buttons simultaneously. Day flashes.
2. Press or button to select a number to correspond with the day of the week (e. g. 1 = Monday, 2 = Tuesday, 3 = Wednesday, 4 = Thursday, 5 = Friday, 6 = Saturday, 7 = Sunday).
3. Press and buttons simultaneously. Hour flashes.
4. To select hour press or button.
5. Press and buttons simultaneously. Minutes flash.
6. To select minutes press or button.
7. To confirm press and buttons simultaneously or wait.

### D. MANUAL MODE (HANDSET)

#### NOTICE

#### BEFORE OPERATING

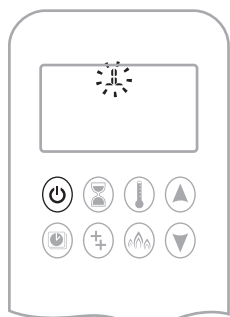
- 1 Make sure MANUAL knob on the GV60 valve is in the ON, full counterclockwise position.
2. Place the ON/OFF switch (if equipped) in the I (ON) position.

#### TO TURN ON FIRE

#### ▲ WARNING

When pilot ignition is confirmed, motor turns automatically to maximum flame height.

# Operating instructions



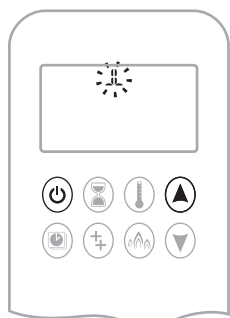
## Handset One-Button Operation

(Default Setting)

- Press button until two short beeps and a blinking series of lines confirms the start sequence has begun; release button.
- Main gas flows once pilot ignition is confirmed.
- Handset automatically goes into Manual Mode after main burner ignition.

### NOTICE

Change from one-button to two-button ignition operation by pressing and holding button for 10 sec. immediately after installing batteries. ON is displayed and 1 is flashing. When change is complete 1 will change to 2.



## Handset Two-Button Operation

- Press and button simultaneously until two short beeps and a blinking series of lines confirms the start sequence has begun; release buttons.
- Main gas flows once pilot ignition is confirmed.
- Handset automatically goes into Manual Mode after main burner ignition.

### NOTICE

Change from two-button to one-button ignition operation by pressing and holding button for 10 sec. immediately after installing batteries. ON is displayed and 2 is flashing. When change is complete 2 will change to 1.

### ▲ WARNING

If the pilot does not stay lit after several tries, turn the main valve knob to OFF (p. 08).

## STANDBY MODE (PILOT FLAME)

Handset

- Press and hold button to set appliance to pilot flame.

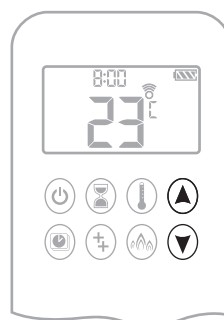


Handset

- Press button to turn OFF.

**NOTE:** A new ignition is possible after the OFF icon stops flashing.

## FLAME HEIGHT ADJUSTMENT

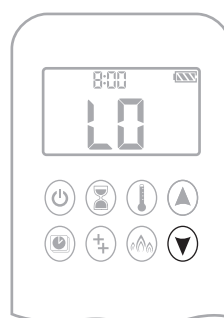


Handset

- To increase flame height press and hold button.
- To decrease flame height or to set appliance to pilot flame, press and hold button.

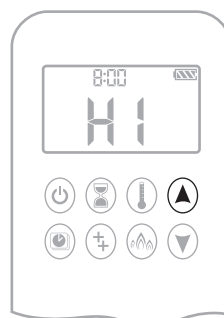
## E. DESIGNATED LOW FIRE AND HIGH FIRE

**NOTE:** Backlight must be on for high fire and low fire double-click operation.



- To go to low fire, double-click button. L0 is displayed.

**NOTE:** Flame goes to high fire first before going to low fire.



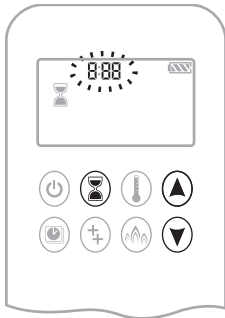
- To go to high fire, double-click button. H1 is displayed.

### ▲ WARNING

If the appliance will not operate, turn the main valve knob to OFF (p. 08).

# Operating instructions

## F. COUNTDOWN TIMER



### ON/SETTING:

1. Press and hold button until displayed, and hour flashes.
2. To select hour press or button.
3. To confirm press button. Minutes flash.
4. To select minutes press or button.
5. To confirm press button or wait.

### OFF:

Press button, and countdown time disappear.

**NOTE:** At end of countdown time period, the fire shuts off. The Countdown Timer only works in Manual, Thermostatic, and Eco Modes. Maximum countdown time is 9 hours and 50 minutes.

## G. MODES OF OPERATION



### Thermostatic Mode

The room temperature is measured and compared to the set temperature. The flame height is then automatically adjusted to achieve the set temperature.



### Program Mode

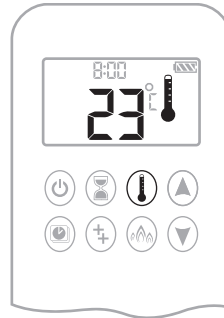
PROGRAMS 1 and 2, each can be programmed to go on and off at specific times at a set temperature.



### Eco Mode

Flame height modulates between high and low. If the room temperature is lower than the set temperature, the flame height stays on high for a longer period of time. If the room temperature is higher than the set temperature, the flame height stays on low for a longer period of time. One cycle lasts approx. 20 min.

## H. THERMOSTATIC MODE

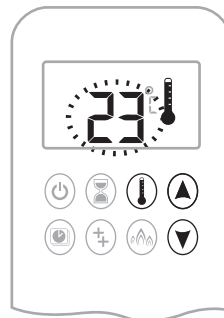


### ON:

Press button. displayed, preset temperature displayed briefly, and then room temperature displayed.

### OFF:

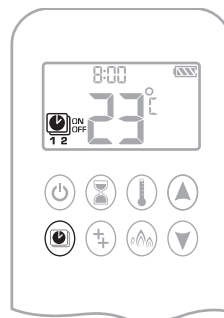
1. Press button.
2. Press or button to enter Manual Mode.
3. Press button to enter Program Mode.
4. Press button to enter Eco Mode.



### SETTING:

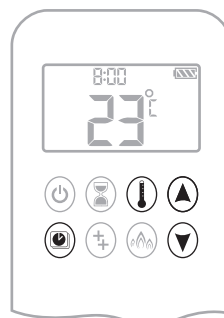
1. Press button and hold until displayed, temperature flashes.
2. To adjust set temperature press or button.
3. To confirm press button or wait.

## I. PROGRAM MODE



### ON:

Press button. , 1 or 2 , ON or OFF displayed.



### OFF:

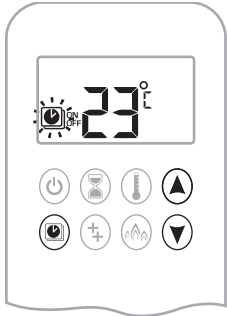
1. Press or or button to enter Manual Mode.
2. Press button to enter Thermostatic Mode.

**NOTE:** The set temperature for Thermostatic Mode is the temperature for the on time in Program Mode. Changing the Thermostatic Mode set temperature also changes the on time temperature in Program Mode.

# Operating instructions

## Default settings:

ON TIME (Thermostatic) TEMPERATURE: 21 °C (70 °F)  
OFF TIME TEMPERATURE: “- -” (pilot flame only)



### TEMPERATURE SETTING:

1. Press button and hold until flashes. **ON** and set temperature (setting in Thermostatic Mode) displayed.
2. To continue press button or wait. , **OFF** displayed, temperature flashes.
3. Select off temperature by pressing the or button.
4. To confirm press button.

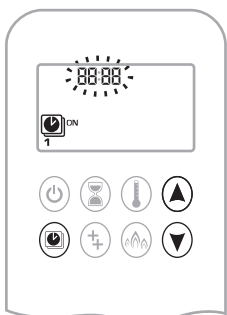
**NOTE:** The on (Thermostatic) and off set temperatures are the same for each day.



### DAY SETTING:

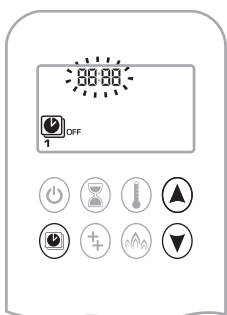
5. **ALL** flashes. Press or button to choose between **ALL**, **SATUR**, 1, 2, 3, 4, 5, 6, 7.
6. To confirm press button.

## ALL selected



### ON TIME SETTING (PROGRAM 1):

7. , 1, **ON** displayed, **ALL** is displayed shortly, and hour flashes.
8. To select hour press or button.
9. To confirm press button. , 1, **ON** displayed, **ALL** displayed shortly, and minutes flash.
10. To select minutes press or button.
11. To confirm press button.



### OFF TIME SETTING (PROGRAM 1):

12. , 1, **OFF** displayed, **ALL** is displayed shortly, and hour flashes.
13. To select hour, press or button.
14. To confirm press button. , 1, **OFF** displayed, **ALL** displayed shortly, and minutes flash.
15. To select minutes press or button.
16. To confirm press button.

**NOTE:** Either continue to PROGRAM 2 and set on and off times or stop programming at this point, and PROGRAM 2 remains deactivated.

**NOTE:** PROGRAM 1 and 2 use the same on (Thermostatic) and off temperatures for **ALL**, **SATUR** and Daily Timer (1, 2, 3, 4, 5, 6, 7). Once a new on (Thermostatic) and / or off temperature has been set, that temperature becomes the new default setting.

**NOTE:** If **ALL**, **SATUR** or Daily Timer are programmed for PROGRAM 1 and PROGRAM 2 on and off times, these become the new default times. The batteries must be removed to clear the PROGRAM 1 and PROGRAM 2 on and off times and temperatures.

## SATUR or Daily Timer (1, 2, 3, 4, 5, 6, 7) selected

- Set on time and off time using same procedure as “**ALL** selected” (above).
- **SATUR**: Set on time and off time for both Saturday and Sunday.
- **Daily Timer**: Unique on and off times may be set for a single day of the week, for multiple days of the week, or for every day of the week.
- Wait to finish setting.

## J. AUXILIARY FEATURE

Upon ignition burner 1 is on and burner 2 is in the last setting.



### ON:

To switch a burner **ON**, press the button. displayed.

### OFF:

To switch the burner **OFF**, press the button. disappears.

**NOTE:** The latching solenoid valve cannot operate manually. If the receiver battery runs down it will remain in the last operating position.

## K. ECO MODE



### ON:

Press button to enter Eco Mode. displayed.

### OFF:

Press button. disappears.



# Maintenance

## ■ SERVICING INSTRUCTIONS

This appliance must be serviced at least annually by a qualified engineer.

Ensure that the fire is fully cold before attempting service. A suggested procedure for servicing is detailed below.

1. Lay out the dust sheet and tools.
2. Inspect the area around the top of the fireplace opening for signs of spillage.
3. Carefully remove the ceramic components. Use a soft brush to clean off ceramics, the use of a vacuum cleaner directly on the ceramics is not recommended. Replace any broken ceramics.
4. Carefully remove the Grate, clean the grate and the top of the burner, a vacuum cleaner and brush may be used.
5. Isolate the gas supply at the appliance inlet, and disconnect the gas supply pipe.
6. Remove the screws securing the burner to the hearth.
7. Remove the burner unit from the fireplace opening.
6. Check the base of the fireplace opening for rubble accumulation and remove. If debris is excessive, initiate remedial work on the flue.
7. Check the flue with smoke pellet for correct operation.
8. Strip off the burner pipes and clean thoroughly.
9. Clean out the injector and pilot assembly. DO NOT attempt to dismantle the pilot unit.
10. Ensure the injector is aligned squarely in the injector bracket. Re-assemble and re-fit the burner tray.
11. Re fit and replace the ceramics, using genuine spares where necessary.
12. Turn on the gas supply, and leak test.
13. Check any purpose provided ventilation is un-obstructed.
14. Light the fire and test for spillage.
15. Check setting pressure and safe operation of the appliance.

## ■ SURFACES

▲ CAUTION

**DO NOT SCRUB !**

The outer surfaces can be wiped with a soft, dry rag (making sure the metal is cool). For continued use of the touch-up paint can following its initial usage, invert the focus can (spray head down) and spray into a balled up newspaper until the can sprays clear. Clean the spray can bottom with a dry rag and store out of the reach of children.

## ■ REPLACEMENT PARTS

- |                  |                |                     |
|------------------|----------------|---------------------|
| - Burner LPG     | - Burner NG    | - Logs              |
| - Remote control | - Receiver     | - Interruptor block |
| - Ignition cable | - Oxypilot LPG | - Oxypilot NG       |

For ordering replacement parts, please contact the Focus North American exclusive importer:



30 Log Bridge Road  
Building 300 – Suite 303  
Middleton, MA 01949  
T: 781-324-8383  
[www.europeanhome.com](http://www.europeanhome.com)

# Warranty

All of our focus models are guaranteed against any defect in design, construction, or manufacture, and guaranteed to function properly for 5 years from date of order. Our product guarantees are applicable only when our fireplaces have been installed with respect to all local building codes and with strict attention to the technical details outlined in our Plan Study as well as our installation, maintenance, and user's manuals. Our guarantees exclude accidental damages such as those occurring during transport without written notification upon receipt, damages incurred during installation, and damages resulting from improper use.

# Appendix

## ■ MERTIK FAULT FINDING CHART

FUNCTION		POSSIBLE CAUSE		REMEDY	
<b>1</b>	<b>HANDSET START:</b> Press both buttons to start ignition (IGN) sequence. Beep will occur each second.	No →	Transmitter batteries low.	Replace transmitter batteries. 9V quality alkaline recommended.	
			Receiver batteries low.	Replace receiver batteries with 1.5V "AA" quality alkaline batteries.	
			Optional mains adapter not operating properly.	Check mains adapter.	
			Check coding of transmitter and receiver. (Initial sync.)	Learn new code (reset). See label on receiver.	
			Transmitter distance limited.	1. Straighten the antenna. 2. Replace receiver. See wiring diagram, p. 23.	
OK ↓					
<b>2</b>	<b>Magnet unit is energized (audible thud to detect functionality).</b>	No →	No beep →	Impulse magnet not operating properly.	Replace gas valve.
			3 short beeps →	Low batteries.	Replace receiver batteries with 1.5V "AA" quality alkaline batteries.
			1 long beep →	ON/OFF switch in OFF position.	Switch to ON.
			8-wire cable Off/not operating properly.	Check 8-wire cable.	
			SW-cable disconnected.	Check cable connection. See figure 1 on page 23.	
			Motor not operating properly.	Replace gas valve.	
			Micro switch not operating properly.	Replace gas valve.	
			OK ↓		

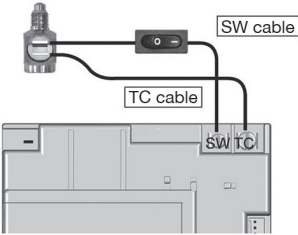
# Appendix

FUNCTION	POSSIBLE CAUSE	REMEDY
<b>3</b> Spark will occur each second.	No → Ignition components not operating properly.	Check connection between cable & IGNelectrode. See wiring diagram, p. 23.
		Check IGN-electrode spark gap. See wiring diagram, p. 23.
		Check IGN-electrode. See wiring diagram, p. 23.
		Check IGN-cable for damage. See wiring diagram, p. 23.
		Increase distance between IGN-cable and all metal parts. Shorten IGN-cable if possible or cover, e.g. silicon hose. See wiring diagram, p. 23.
	No → IGN-sequence stops, no pilot flame. No reaction to transmitter command. (Controller crashes.)	Press RESET button. See "Setting the Electronics Code" p. 3.
		Add ground wire between pilot burner and valve. See wiring diagram, p. 23.
		Do not coil the IGN-cable.
		Shorten IGN-cable if possible (no longer than 900 mm). See wiring diagram, p. 23.
No → IGN-sequence stops, no pilot flame. Transmitter command is possible.	Replace receiver batteries with 1.5V "AA" quality alkaline batteries.	

OK

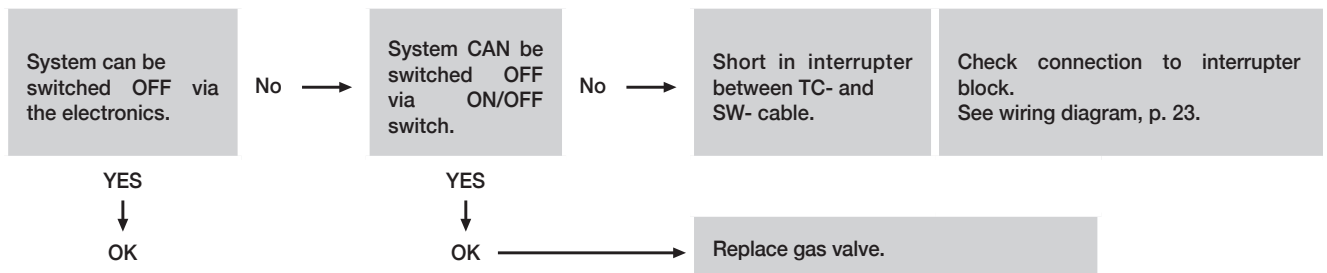


# Appendix

FUNCTION		POSSIBLE CAUSE		REMEDY	
4	Pilot lit.	No →	TC- and SW-cable reversed.	Check connection of cable to receiver and interrupter. See figure 1.	
			Magnet unit not operating properly.	Replace gas valve or (magnet unit).	
			Short between interrupter and SW-cable.	Check connection to interrupter.	
			No gas (magnet unit drops after 30 second audible count).	Check gas supply.	
 <p>Figure 1</p>					
5	Sparking stops after pilot is lit.	No →	Short between interrupter and TC-cable.	Check connection to interrupter. See figure 1.	
			Electronic measuring amplifier defective.	Replace Receiver. See wiring diagram, p. 23.	
6	Motor turns to main gas and pilot stays lit.	No →	Resistance in thermo current circuit too high.	Check cable in thermo-current circuit. See wiring diagram, p. 23.	
			Magnet unit drops (audible sound).	Not enough heat on thermocouple.	Check position of pilot to thermocouple and intensity of pilot flame.
			Low voltage from thermocouple.	Replace thermocouple Do not overtighten (hand tight +1/4 turn max).	
			Short because thermocouple end is damaged or not centered.	Replace thermocouple. Do not overtighten (hand tight +1/4 turn max).	
		No →	IGN-sequence stops. No reaction to transmitter command (Controller crashes).	Press RESET button. See "Setting the Electronics Code" p. 23.	
			Add ground wire between pilot burner and valve. See wiring diagram, p. 23.	Do not coil the IGN-cable.	
<p>Shorten IGN-cable if possible (no longer than 900 mm). See wiring diagram, p. 23.</p>					

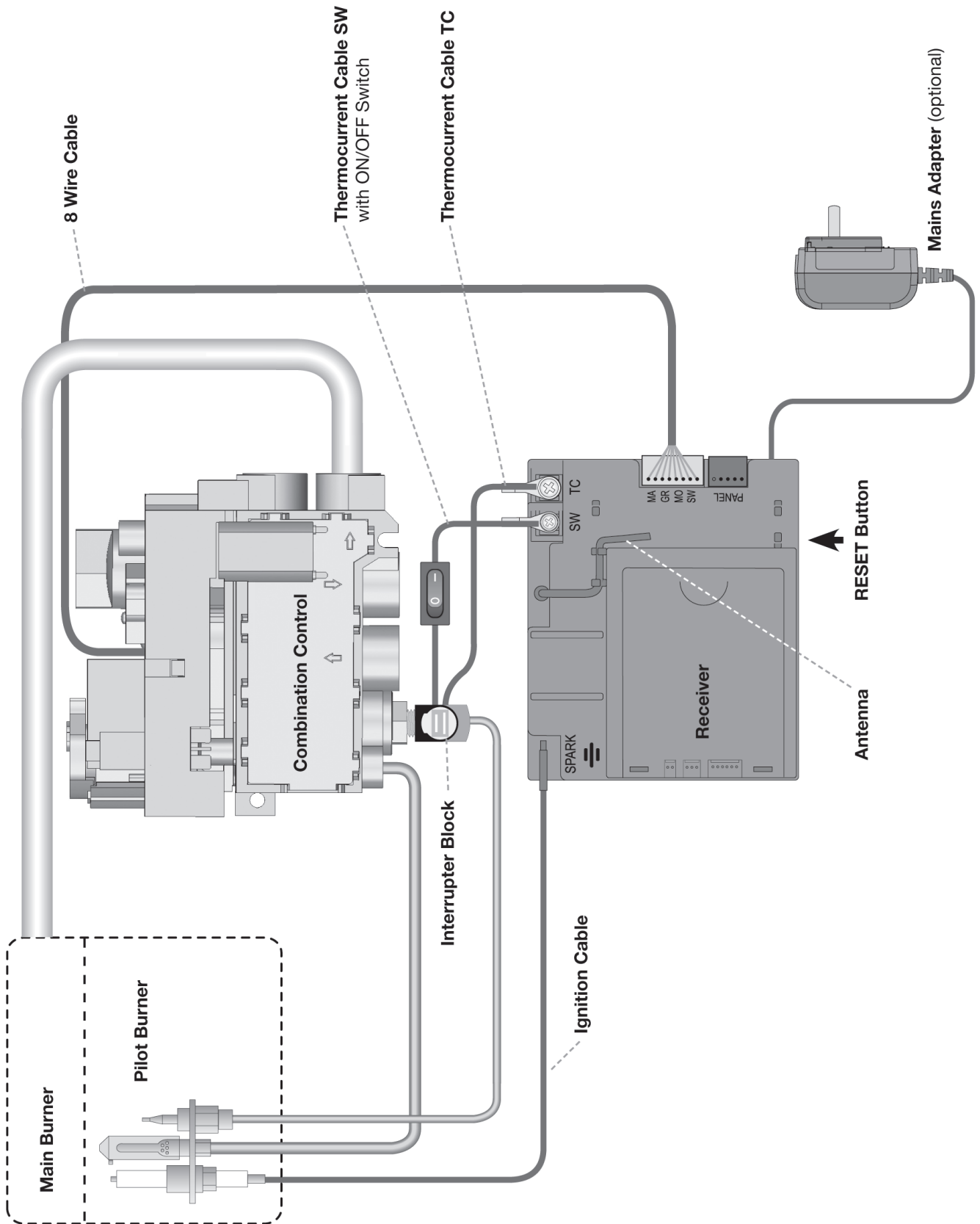
# Appendix

	FUNCTION		POSSIBLE CAUSE	REMEDY
7	Main burner is lit.	No →	Manual knob in "MAN" position.	Turn manual knob to "ON" position (positive latch is required). See "Manual Operation" p. 08.
	OK ↓			
8	Main burner stays lit.	No →	Too much draft at pilot (poor flame impingement of thermo-couple).	Check installation.
	OK ↓			
9	Magnet unit drops while motor turns. 3 beeps.	No →	Low batteries.	Replace receiver batteries with 1.5V "AA" quality alkaline batteries.



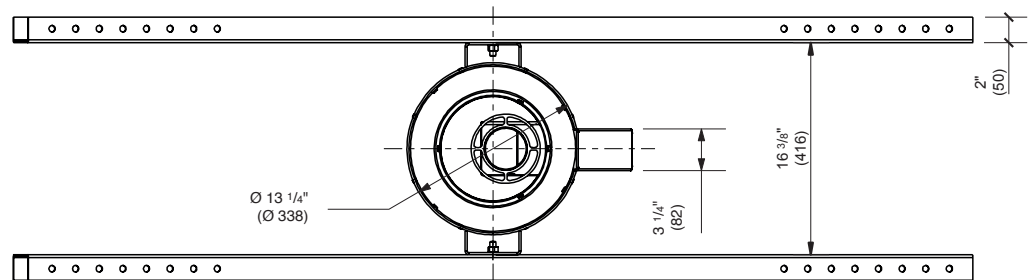
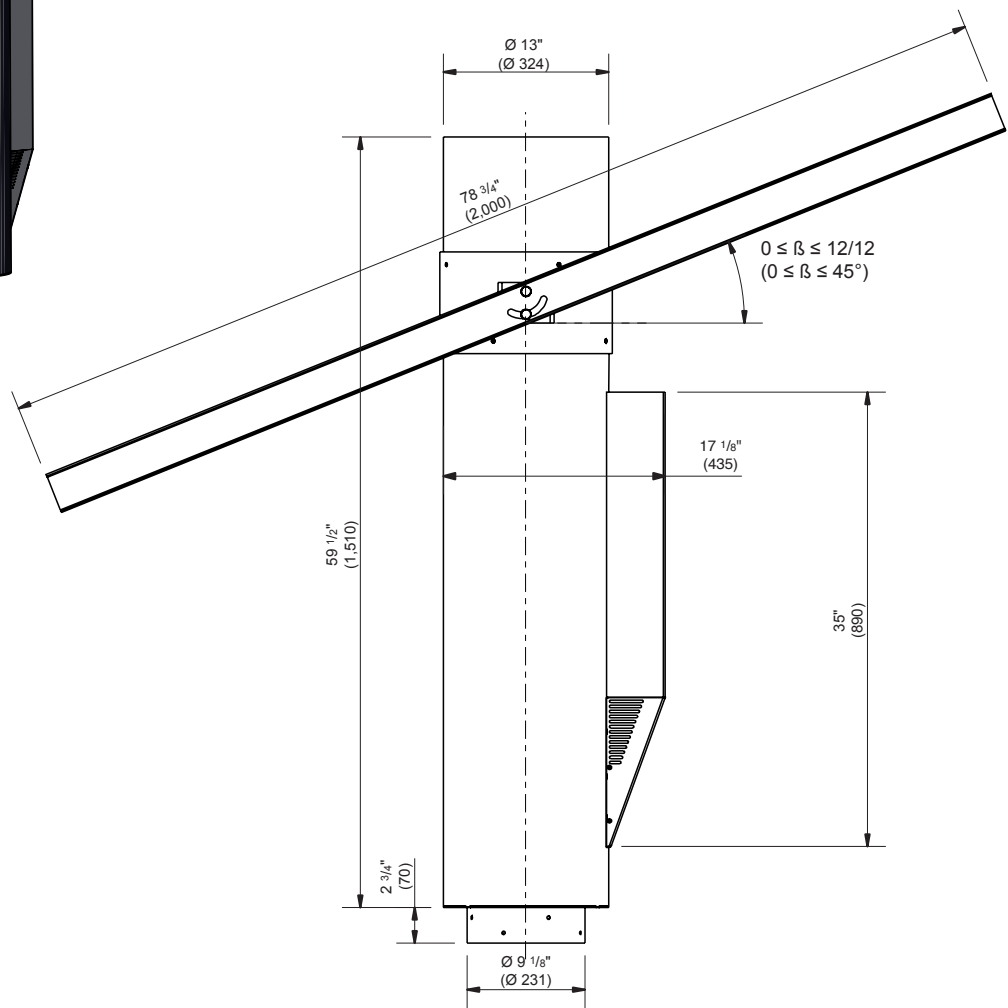
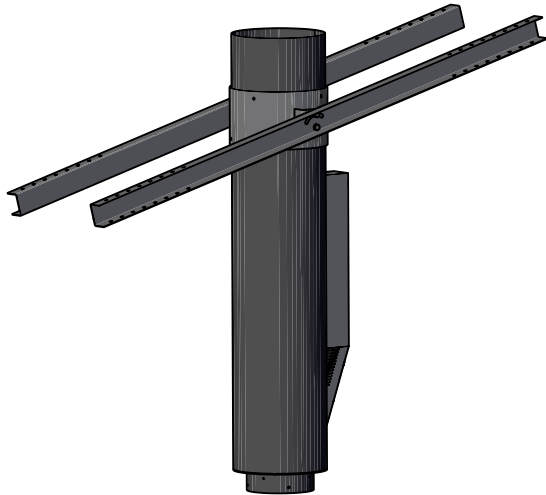
# Appendix

## ■ WIRING DIAGRAM



# Appendix

## ■ ADJUSTABLE SUSPENSION PLATE





# Appendix

The Focus adjustable suspension plate ETL is designed to be used on rafters/structures with a pitch between zero and forty-five degrees.

8" inside diameter / 10" outside diameter Class A insulated chimney flue sits inside the 12" wide portion of the drum. Keeping a 2" overall air gap between the Class A insulated chimney flue and the 12" wide portion of the drum prevents the transfer of heat to surrounding building materials.

The wide portion of the drum is 8" wide to accept the Focus single wall interior flue.

The adjustable suspension plate is for use with Gyrofocus gaz model only.

The adjustable suspension plate consists of:

- (x2) Mounting bars
- (x1) Support collar
- (x1) Drum
- (x1) Conveyor
- (x4) Screws conveyor FXC M5x12
- (x8) Cramping screws M8x10

The drum and the conveyor are designed to be field cut as needed.

The mounting bars may be cut to length and must be attached securely to the rafter/structure using lag bolts (wood installation) or through bolts (wood or metal installation) to support the weight of the fireplace and flue.

Components :

*La plaque de suspension réglable Focus ETL est conçue pour être utilisée sur des chevrons ou des structures ayant une inclinaison comprise entre zéro et quarante-cinq degrés.*

*Le conduit de fumée isolé de classe A et de diamètre intérieur 8" (225mm)/ diamètre extérieur 10"(254mm) s'installe dans la portion de fourreau de largeur 12" (324mm). Maintenir un espace d'air de 2" (50mm) entre le conduit de fumée isolé de classe A et la portion de fourreau de largeur 12" (324mm) afin d'éviter le transfert de chaleur aux matériaux de construction environnants.*

*La partie inférieure du fourreau est de 8" (225mm) pour accepter le conduit simple paroi Focus.*

*La plaque de suspension réglable est uniquement utilisable avec le modèle Gyrofocus gaz.*

*La plaque de suspension réglable se compose de :*

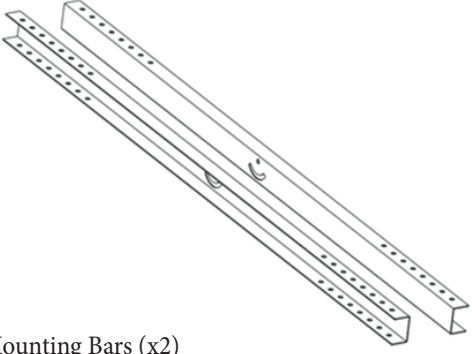


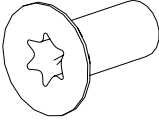
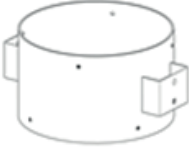
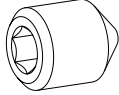
- (x2) Barres de montage*
- (x1) Collier de soutien*
- (x1) Fourreau*
- (x1) Convoyeur*
- (x4) Vis convoyeur FXC M5x12*
- (x8) Vis de serrage M8x10*

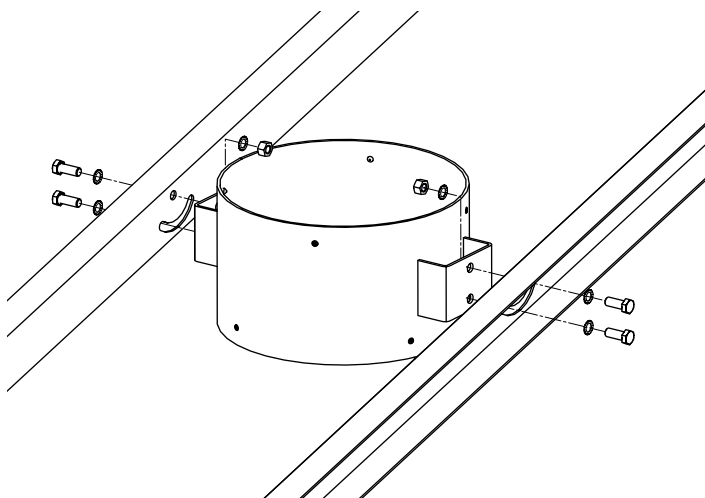
*Le fourreau et le convoyeur sont conçu pour être coupés sur le terrain au besoin.*

*Les barres de montage peuvent être coupées à la longueur et doivent être fixées solidement aux chevrons/structures en utilisant des fixations telles que des tirefonds (structures bois) ou des boulons (structures métallique) pour soutenir le poids de la cheminée et du conduit.*

Composants :

# Appendix

 <p>Mounting Bars (x2) <i>Barres de montage</i></p>	 <p>Drum (x1) <i>Fourreau</i></p>	 <p>Conveyor (x1) <i>Convoyeur</i></p>
 <p>Conveyor screws FXC M5x12 (x4) <i>Vis convoyeur FXC M5x12</i></p>	 <p>Support Collar (x1) <i>Collier de soutien</i></p>	 <p>Cramping screws M8x10 (x8) <i>Vis de serrage M8x10</i></p>



The steps of installation and cutting of the adjustable suspension plate are as follows:

- 1 - Place support collar between the mounting bars. Tighten bolts using supplied nuts and lock washers.
- 2 - Mount this assembly in the ceiling or roof.
- 3 - Install the drum inside the support collar from below.

*Les étapes d'installations et de coupe de la platine de suspension ajustable sont les suivantes:*

- 1 - Placer le collier de soutien entre les barres de montage. Serrer les boulons à l'aide des écrous et des rondelles frein fournis.*
- 2 - Monter l'ensemble sur/sous le plafond ou toit.*
- 3 - Installer le fourreau dans le collier de soutien par dessous.*

# Appendix

- 4 - Adjust drum to desired length. The large portion of the drum must be a minimum 3" below ceiling finish.
- 5 - If drum is to be cut, mark the drum above the support collar with a pencil using the support collar as a guide.
- 6 - Remove the drum from the support collar and apply tape around pencil marks. Use as cutting guide.
- 7 - Cut the drum with an angle grinder outfitted with cutting wheel following the tape.
- 8- Adjust the conveyor to cut at the height and direction of the false ceiling.

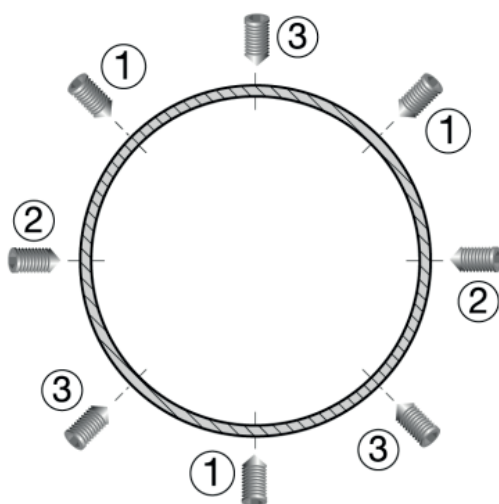
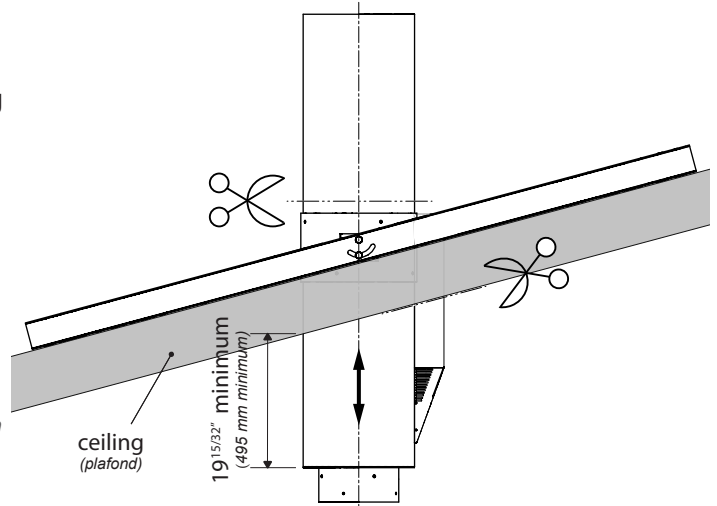
4 - Ajuster le fourreau à la longueur désirée, minimum de 16 15/32" (418 mm). Mesure à prendre depuis la base du fourreau.

5 - Si le fourreau doit être coupé, marquer le fourreau au-dessus du collier de soutien avec un crayon en utilisant le collier de soutien comme guide.

6 - Retirez le fourreau du collier de soutien et appliquez du ruban adhésif autour des marques de crayon. Utiliser comme guide de coupe.

7 - Couper le fourreau à l'aide d'une meuleuse d'angle munie d'un disque de coupe suivant le ruban.

8- Ajuster le convoyeur afin de le couper à la hauteur et dans la direction du faux plafond.



- 9 - Install the drum again into the support collar. Using a level, confirm and tighten firmly cramping screws following the pattern below.

Screw 1 – Install first x 3

Screw 2 – Install next x 2

Screw 3 – Install last x 3

Note: Screws are not designed to sit flush with support collar.

- 10 - Cut the conveyor with an angle grinder outfitted with cutting wheel according to the height and inclination of the ceiling.

- 11 - Install the conveyor with the 4 conveyor screws provided.

9 - Remonter le fourreau dans le collier de soutien. À l'aide d'un niveau, confirmez et serrez fermement les vis de serrage en suivant le modèle ci-dessous.

Vis 1 - A installer en premier x 3

Vis 2 - A installer ensuite x 2

Vis 3 - A installer en dernier x 3

Remarque : Les vis ne sont pas prévues pour être à fleur du collier de soutien.

10 - Couper le convoyeur à l'aide d'une meuleuse d'angle munie d'un disque de coupe suivant la hauteur et l'inclinaison du plafond.

11 - Installer le convoyeur à l'aide des 4 vis convoyeur prévu à cet effet.

