

# KOMFORT ZONE KIT

## #KZK-1510A



For use with the #BHM-44, #CLW-ST, and #CLW-50 (Starting Serial Number: 19 501780 50)

**INSTALLER: Leave this manual with the appliance.**  
**CONSUMER: Retain this manual for future reference.**

English and French installation manuals are available through your local dealer. Visit our website [www.kozyheat.com](http://www.kozyheat.com).  
Les manuels d'installation en français et en anglais sont disponibles chez votre détaillant local. Visitez [www.kozyheat.com](http://www.kozyheat.com).



We suggest that our gas hearth products be installed and serviced by professionals who are certified in the U.S. by the National Fireplace Institute® (NFI) as NFI Gas Specialists.

### **READ ALL THESE STEPS BEFORE STARTING INSTALLATION. LEAVE THESE INSTRUCTIONS WITH THE APPLIANCE.**

This kit must be installed by a qualified installer, service agency, or gas supplier at the time of the heater installation. These instructions must be used in conjunction with the installation and operation manual provided with the appliance. Please read the appliance owner's manual completely before performing any procedures in these instructions.

<b>1.0 INTRODUCTION</b> .....	<b>3</b>
1.1 Kit Contents.....	3
1.2 Fireplace Preparation.....	3
1.3 Suggested Configurations.....	4
1.4 Dimensions and Overview .....	7
1.5 Air Duct Pipe Run.....	8
<b>2.0 FRAMING AND CLEARANCES</b> .....	<b>9</b>
2.1 Clearance to Sprinkler .....	9
2.2 Framing.....	10
2.3 Shelf Requirements.....	14
2.4 CLW-ST Front Facing Clearances .....	16
<b>3.0 FACING AND FINISHING</b> .....	<b>17</b>
3.1 Non-combustible Requirements.....	17
3.2 Combustible Finish.....	20
3.3 Hearth and Mantel Clearances.....	24
<b>4.0 INSTALLATION</b> .....	<b>27</b>

This optional convection duct kit redistributes the warm air flow away from the fireplace opening to a more desirable location using natural convection without the use of a fan. The warm air flow may be relocated to a position higher up the wall, out the sidewalls, or even to an adjacent room. The result is much cooler wall temperatures above the fireplace opening for locating televisions, artwork, etc.



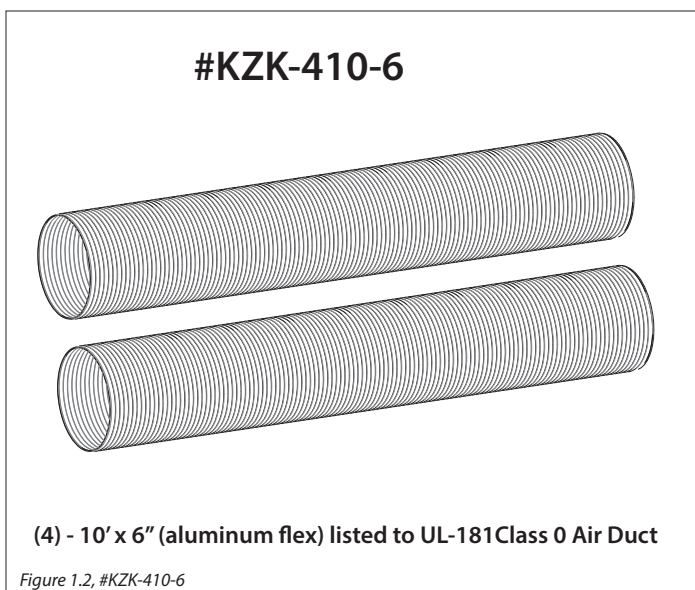
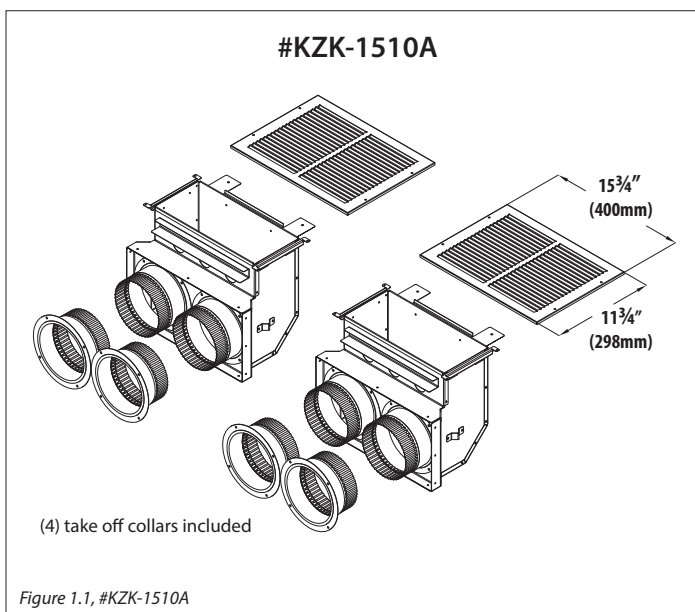
# 1.0 INTRODUCTION

## 1.1 Kit Contents

*ALL kit contents must be installed.*

- (2) 15" plenum kit: #KZK-1510A
- (2) air grilles
- (8) 6" collars - (4) to attach to the bottom of the plenum; (4) to attach to the unit where the cover plates are removed.

(1) KZK-410-6 is used for a 10' vent run. If you are mounting the plenum above the fireplace 10' (3m) or less, use (1) #KZK-410-6 kit. KZK-CPL6 is (6) 6" couplers that connect (2) KZK-410-6. You will only need (4) 6" couplers for installation. If you are mounting the plenum above the fireplace between 10' to 20'; you will need (2) KZK-410-6 kit and (1) #KZK-CPL6 coupler kit.

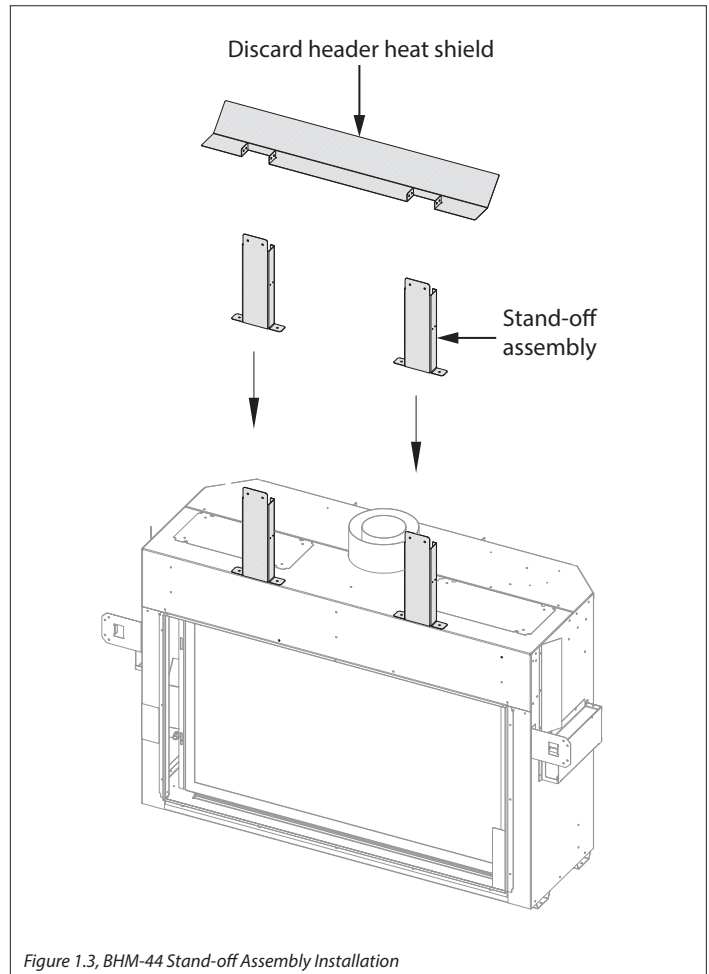


## 1.2 Fireplace Preparation

### 1.2.1 BHM-44 Requirements

For ease of installation, the header heat shield may be removed. The stand-off assembly still must be installed. To install stand-off assembly,

1. Locate the stand-off assembly and header heat shield on top of the fireplace, as shipped.
2. Discard header heat shield.
3. Attach the stand-off assembly pieces as shown below and secure with (4) screws.



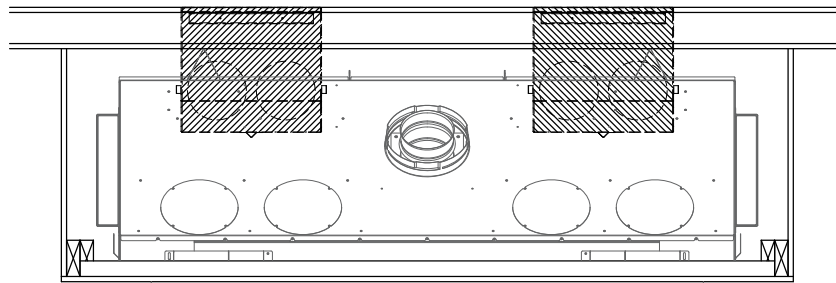
### 1.3 Suggested Configurations

When installing the #KZK-1510A, take in consideration the fireplace venting and the plenum tube configuration.

The (2) plenums and the (2) air grilles in this kit are required and both must be installed.

## CLW-50

#KZK-1510A rear wall outlet



#KZK-1510A side wall outlet

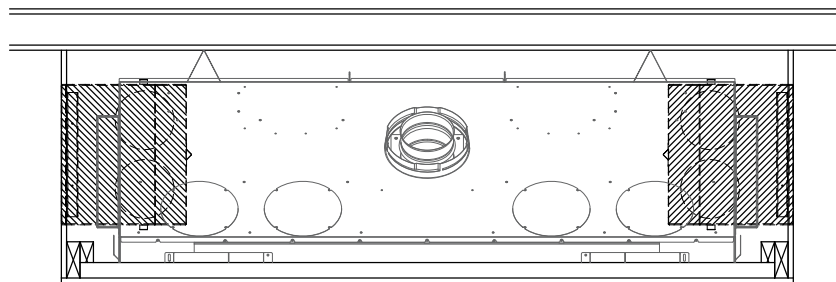


Figure 1.4, #KZK-1510A Suggested Configurations for CLW-50

# CLW-ST

#KZK-1510A front wall outlet

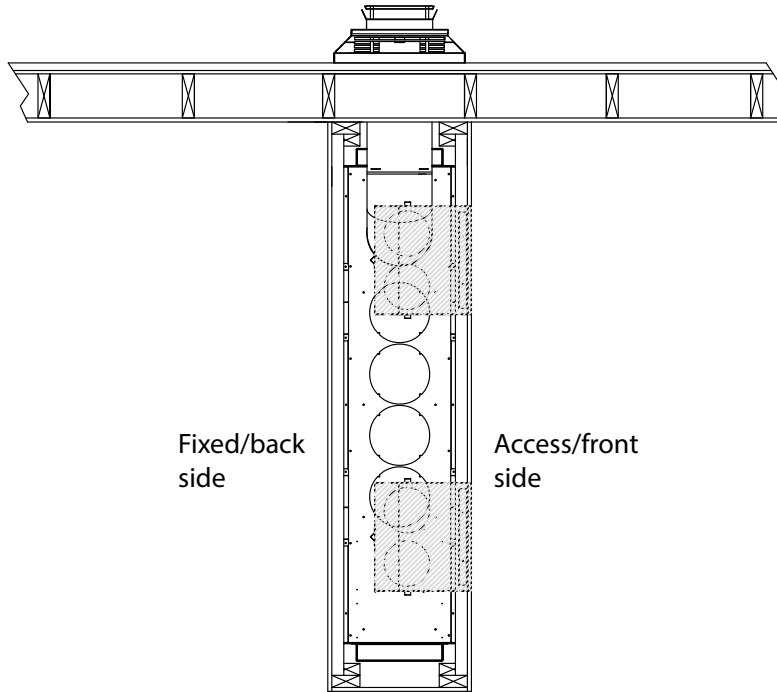
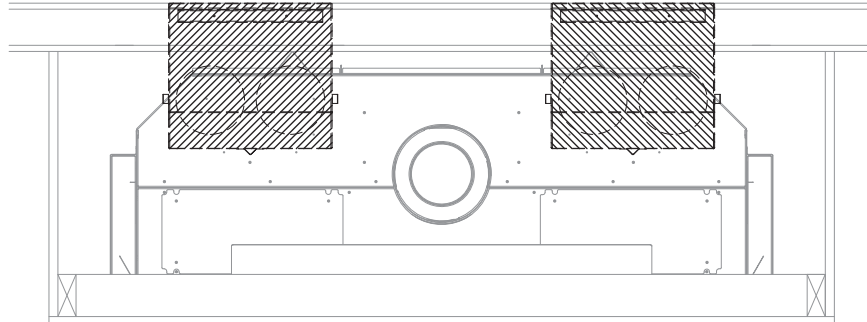


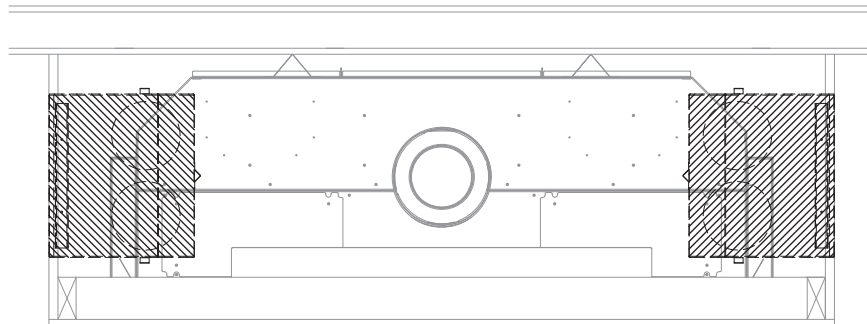
Figure 1.5, #KZK-1510A Suggested Configuration for CLW-ST

# BHM-44

#KZK-1510A rear wall outlet



#KZK-1510A side wall outlet



For side wall outlet installations, it is easier to keep the 1/2" (12mm) clearance if the center tubes are assembled to the backside of the KZK

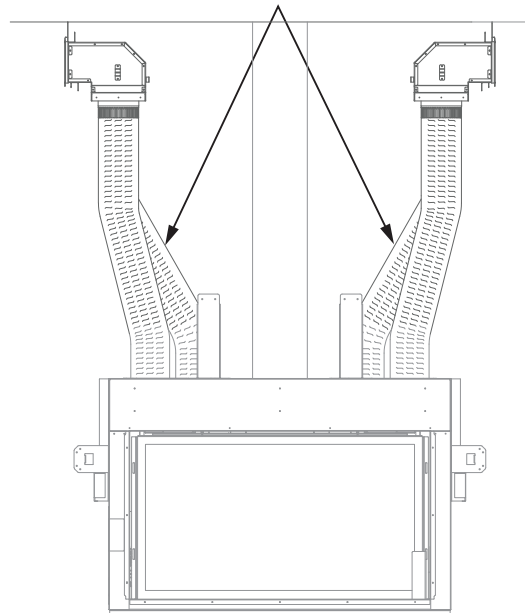
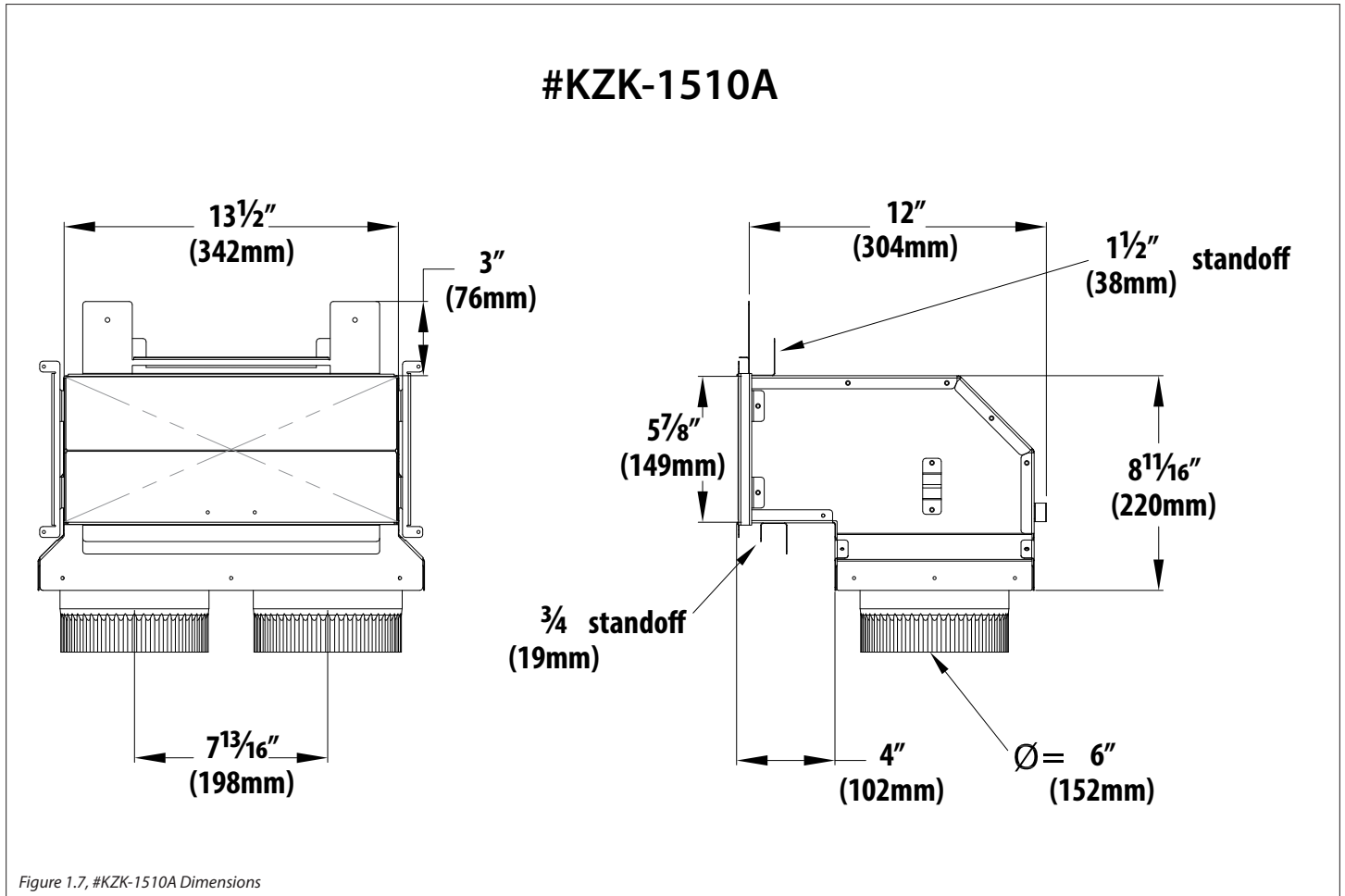


Figure 1.6, #KZK-1510A Suggested Configurations for BHM-44

## 1.4 Dimensions and Overview



## 1.5 Air Duct Pipe Run

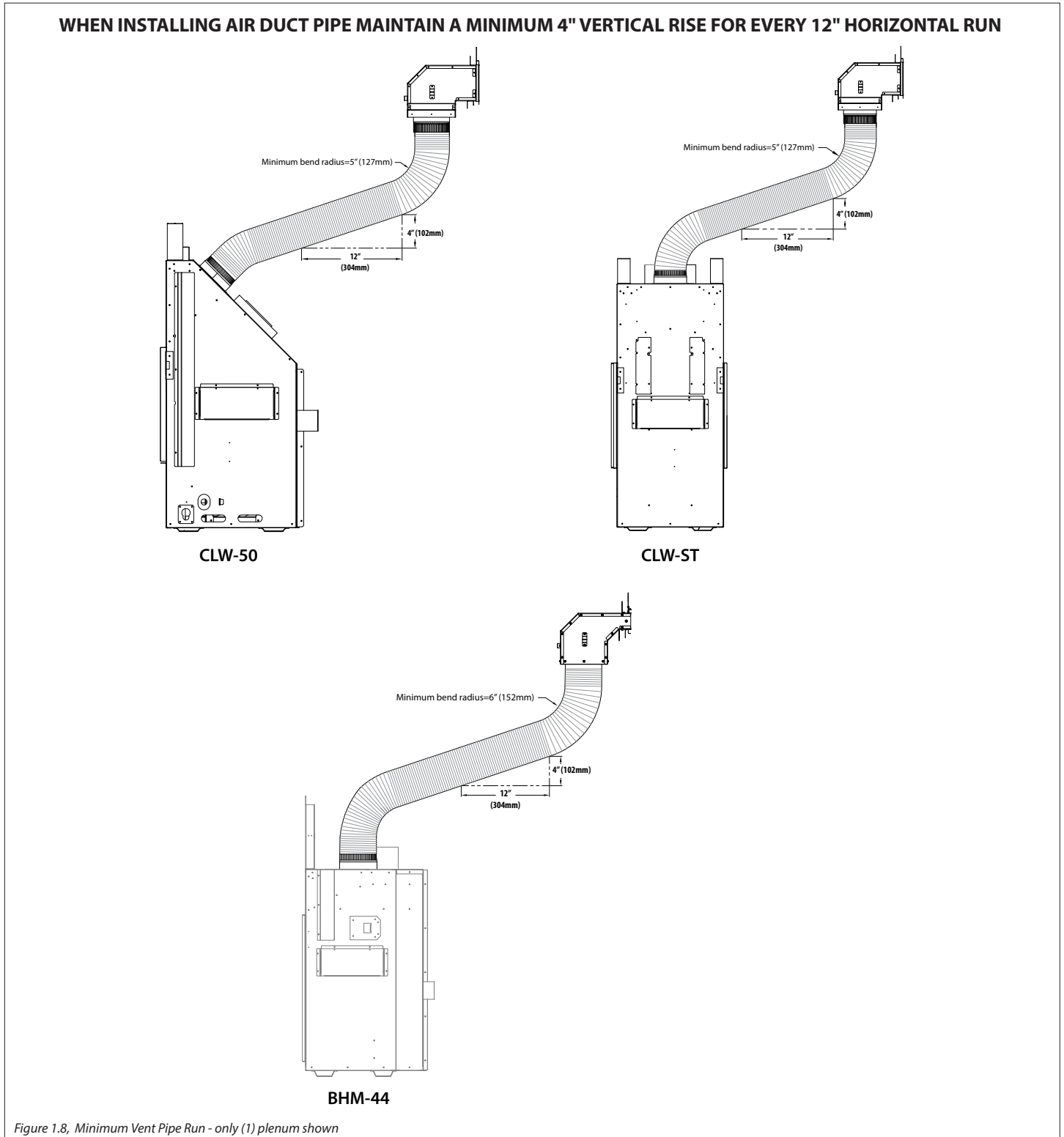
**IMPORTANT:** The air duct pipe cannot run horizontally without a vertical rise.

**IMPORTANT:** The 1/2" clearance around the air duct pipes must be maintained.

Use #KZK-410-6 UL181 Class 0 Air Duct piping to connect the plenum(s) to the unit.

Hussong Mfg. requires pipes to be listed as UL181 Class 0 Air Duct to connect the plenum(s) to the unit.

- CLW-50, CLW-ST, & BHM-44 maximum vent run: 20' (6m)





## 2.0 FRAMING AND CLEARANCES

### 2.1 Clearance to Sprinkler

- In a situation where a sprinkler head is installed within the proximity to a #KZK discharge opening, the diagram below **MUST** be followed.
- The distance between a sprinkler head and discharge opening cannot be less than 60" (1524mm) in length at every point from the origin of the discharge opening. You must also verify the sprinkler head sensor is set to the proper heat setting so it does not activate when the room heats up from the fireplace being operated normally.
- Please follow local building codes to determine what temperature setting is relevant for your installation.

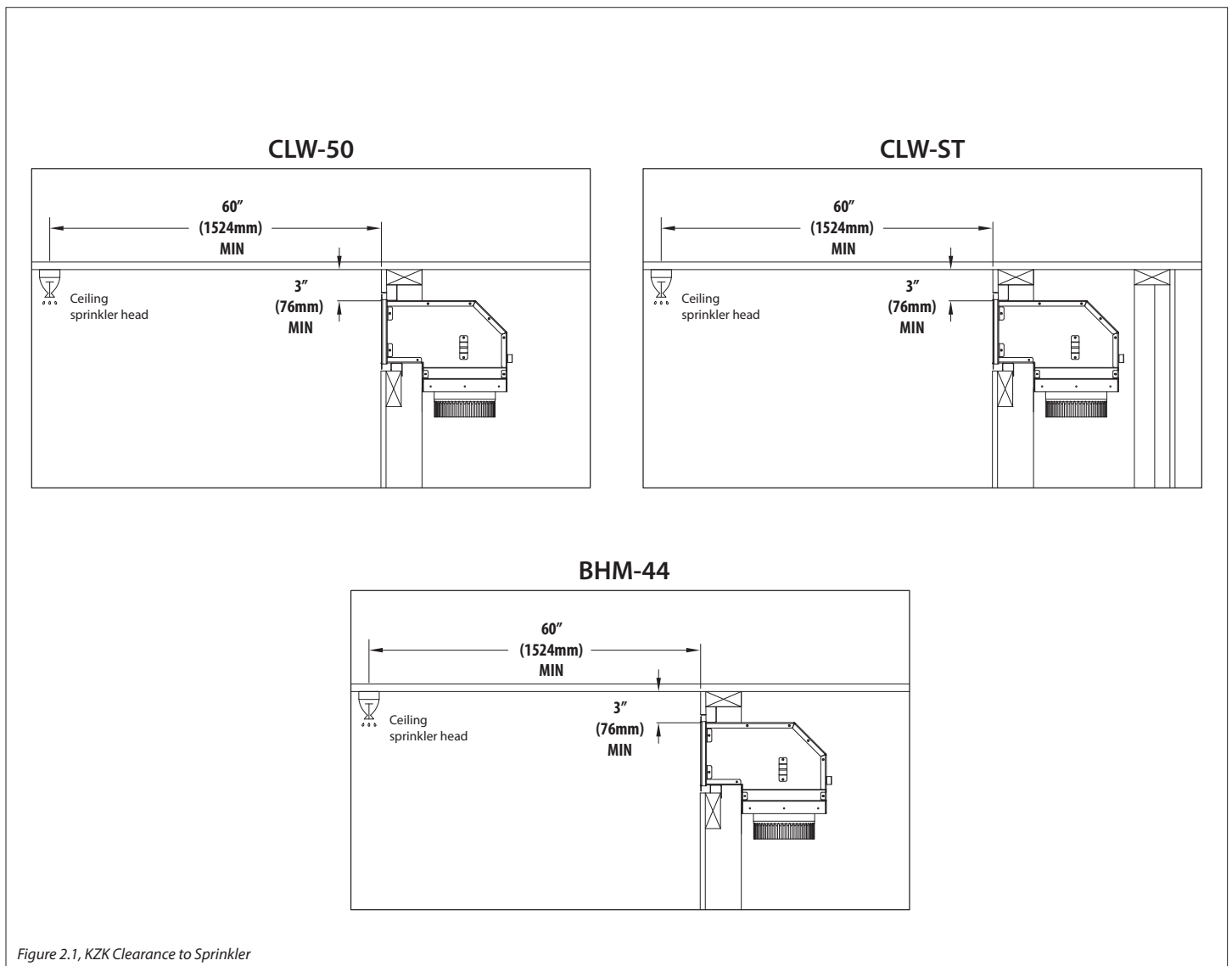
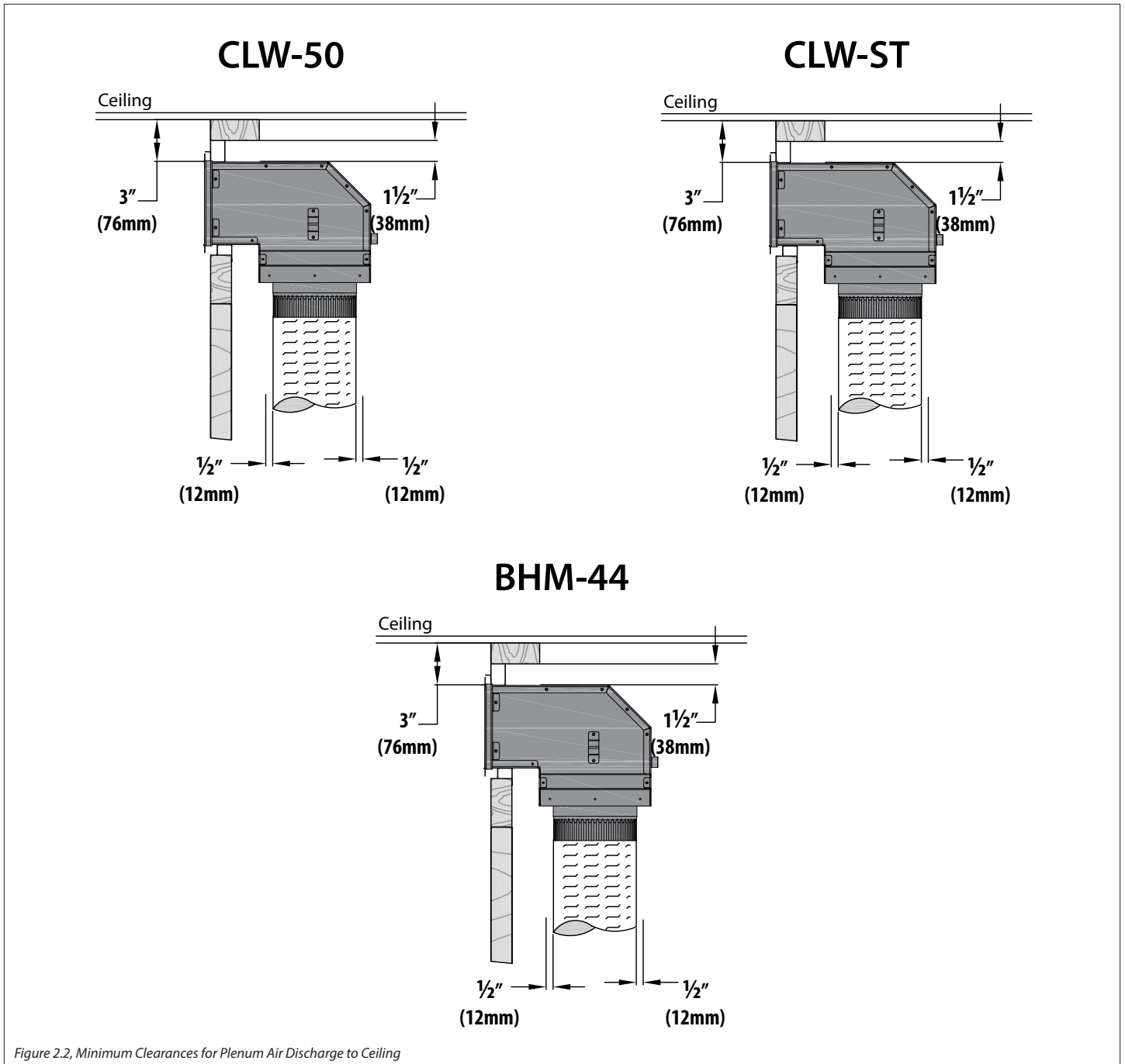


Figure 2.1, KZK Clearance to Sprinkler

## 2.2 Framing

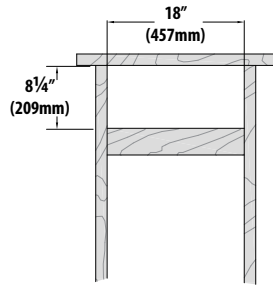
Shown in this section are rough opening dimensions and clearances for the plenums, unit installation, and unit installation with a TV recess construction.

Rough opening framing dimensions should allow for wall covering thickness and facing materials.



## CLW-50

Plenum rough opening  
Height and Width



Unit and plenum  
side view

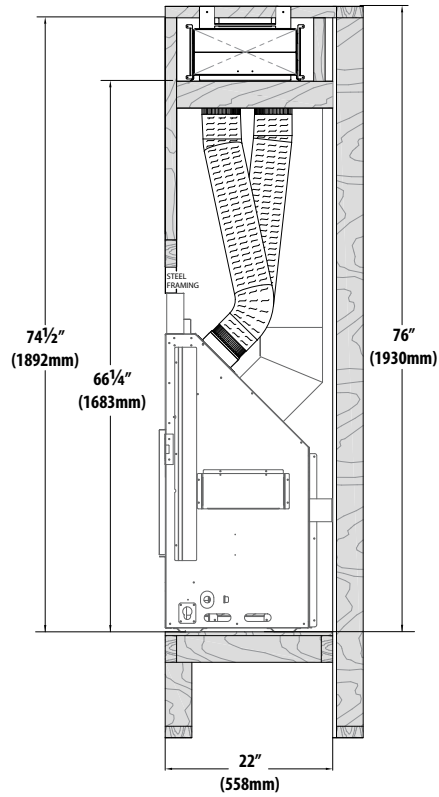


Figure 2.3, CLW-50 Rough Opening and Framing for #KZK-1510A

*Dimensions reflect minimum enclosure height*

## CLW-50

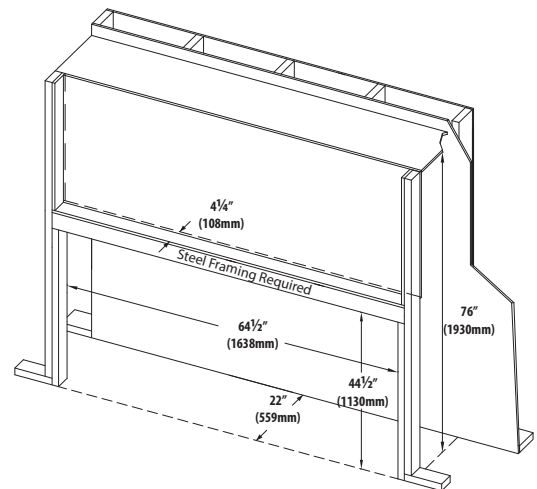
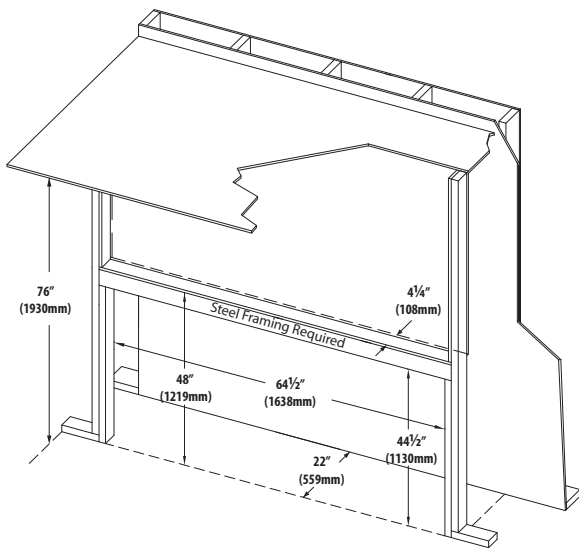


Figure 2.4, CLW-50 Unit Wall Enclosure Rough Opening

*Dimensions reflect minimum enclosure height*

# CLW-ST

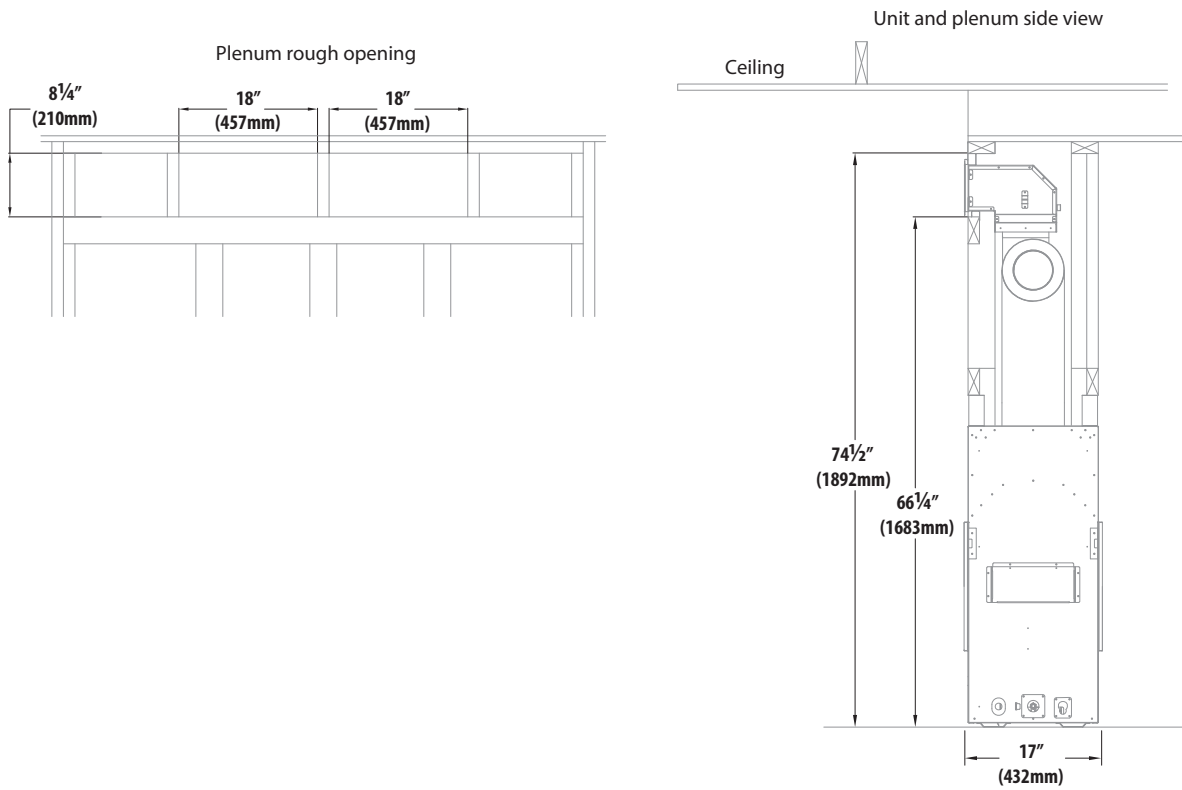


Figure 2.5, CLW-ST Rough Opening and Framing for #KZK-1510A

**Dimensions reflect minimum enclosure height**

# CLW-ST

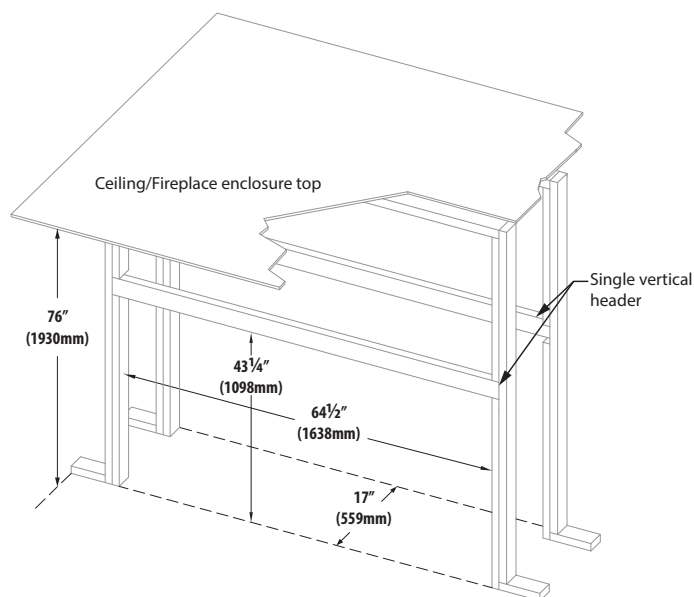


Figure 2.6, CLW-ST Unit Wall Enclosure Rough Opening

**Dimensions reflect minimum enclosure height**

## BHM-44

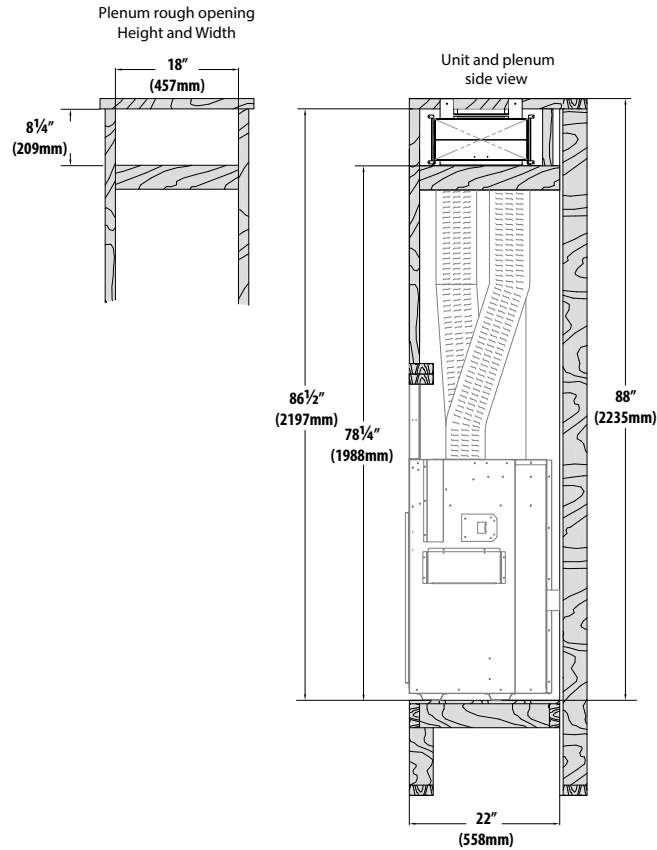


Figure 2.7, BHM-44 Rough Opening and Framing for #KZK-1510A

*Dimensions reflect minimum enclosure height*

## BHM-44

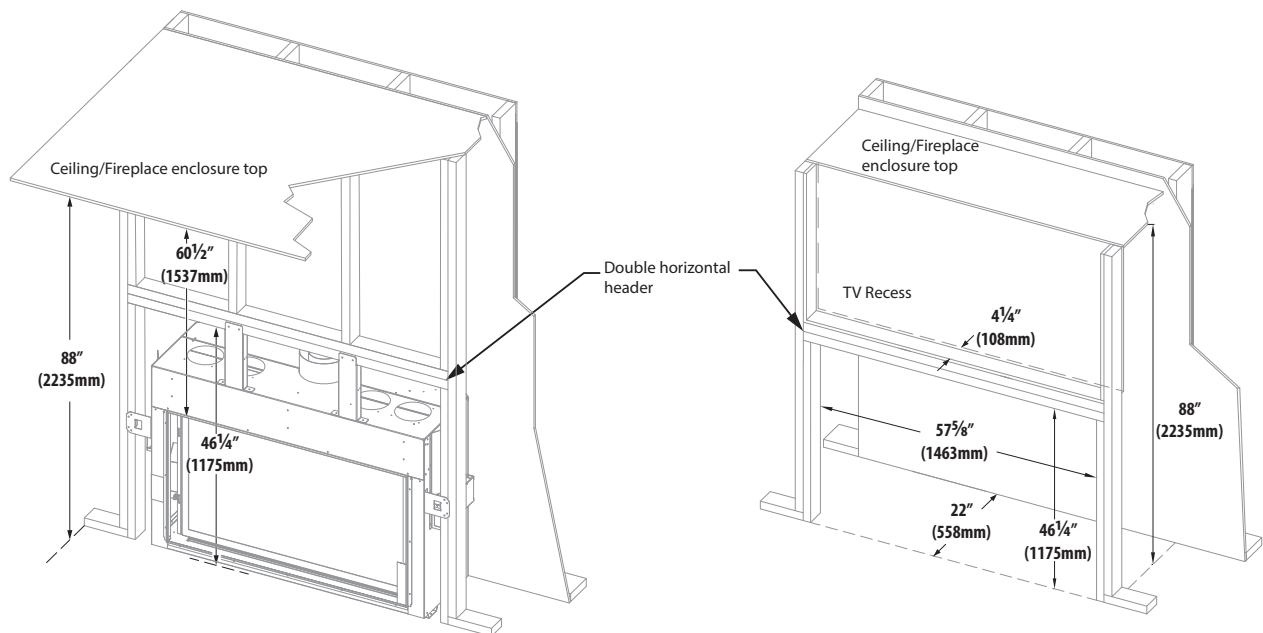


Figure 2.8, BHM-44 Unit Wall Enclosure Rough Opening

*Dimensions reflect minimum enclosure height*

## 2.3 Shelf Requirements

- The drawings in this section show the framing requirements if you desire the air discharge opening to be located within the bump-out or bookshelf framing, or the pocket enclosure (for unit CLW-ST).

### 2.3.1 CLW-50 Requirements

**NOTE:** For the CLW-50, take careful consideration in the difference of the minimum chamber height of the fireplace compared to the minimum height of the shelf enclosure.

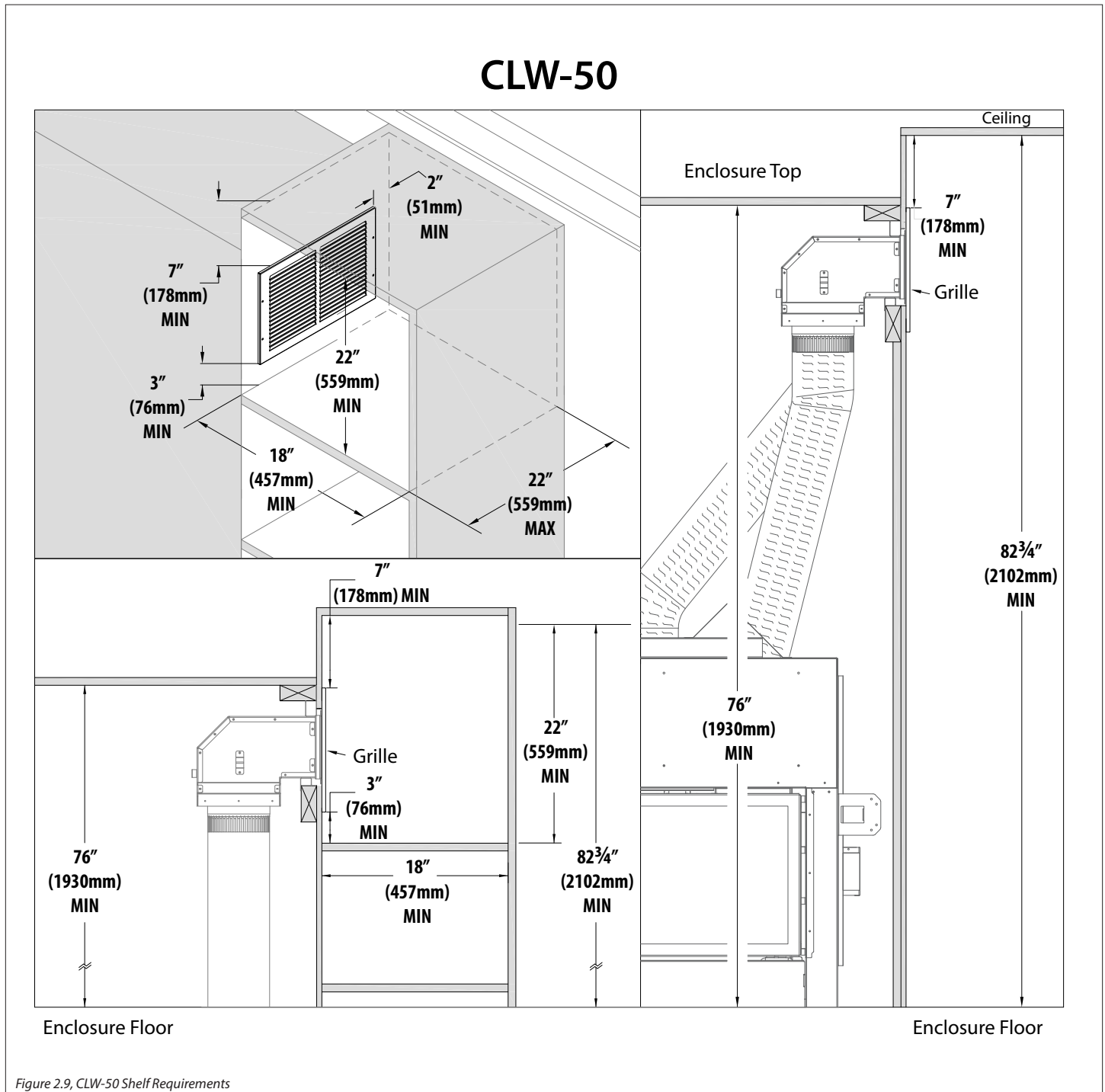


Figure 2.9, CLW-50 Shelf Requirements

### 2.3.2 BHM-44 Requirements

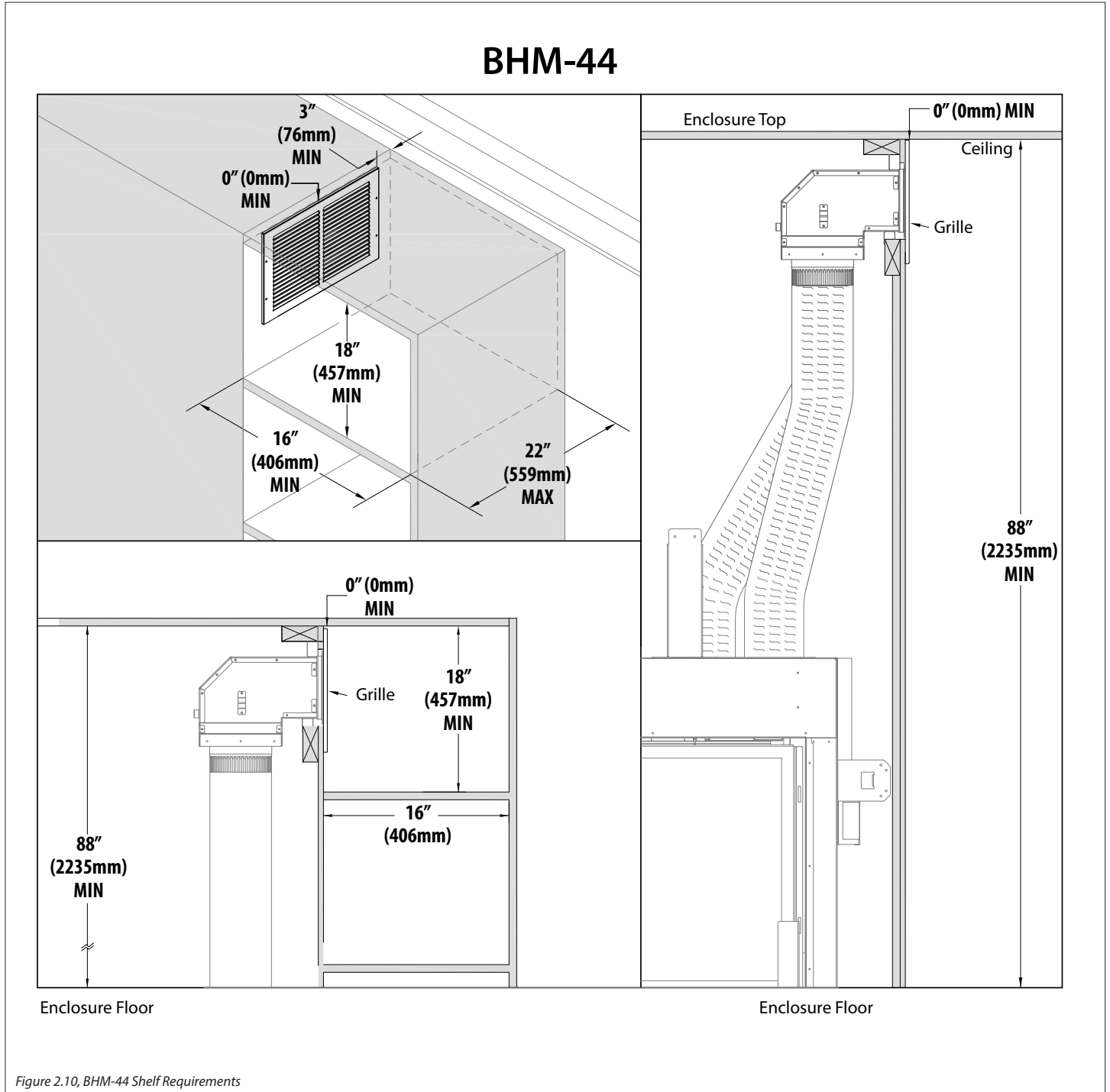
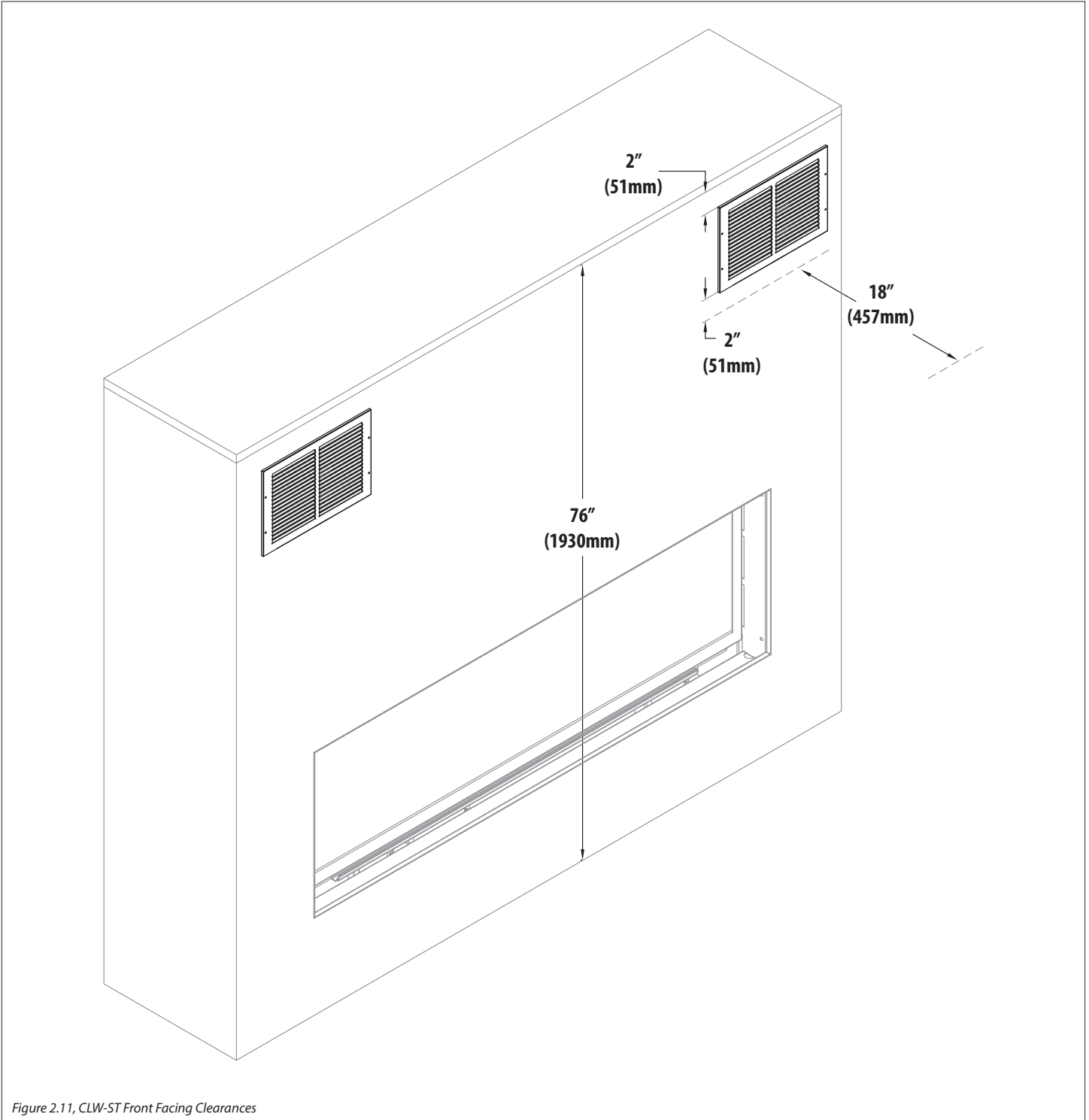


Figure 2.10, BHM-44 Shelf Requirements

## 2.4 CLW-ST Front Facing Clearances

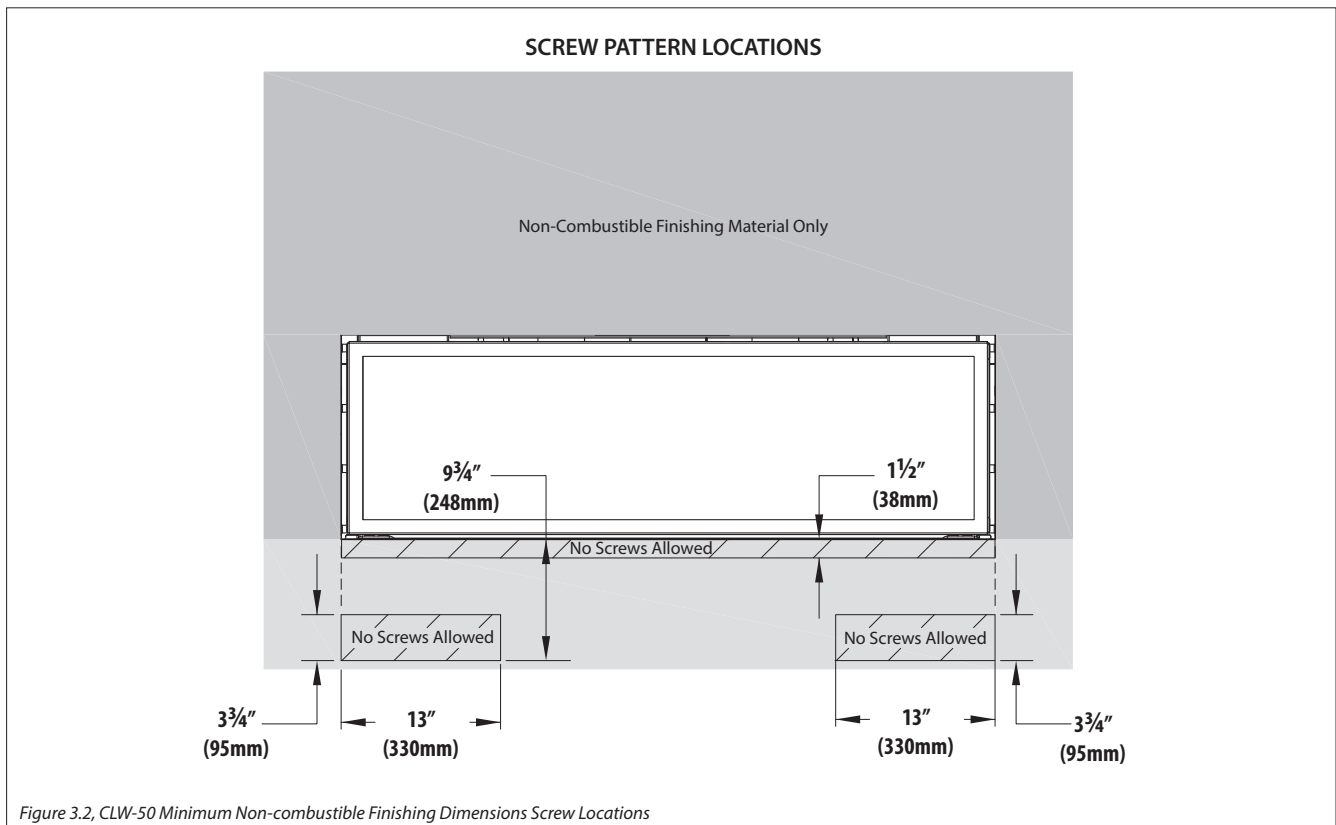
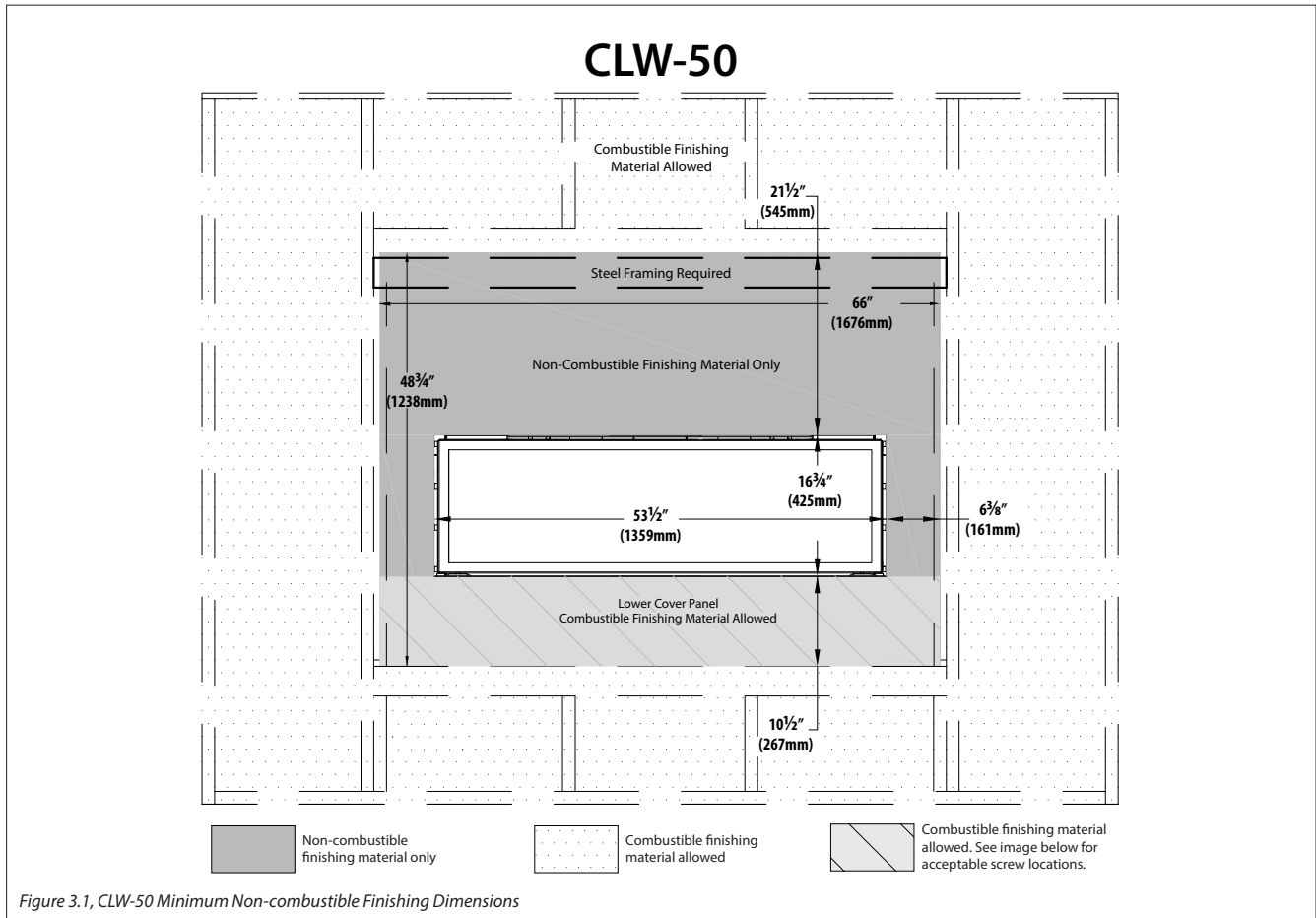
Figure 2.11 below shows the front facing clearance requirements for the CLW-ST for the KZK-1510A air discharge opening.





# 3.0 FACING AND FINISHING

## 3.1 Non-combustible Requirements



# CLW-ST

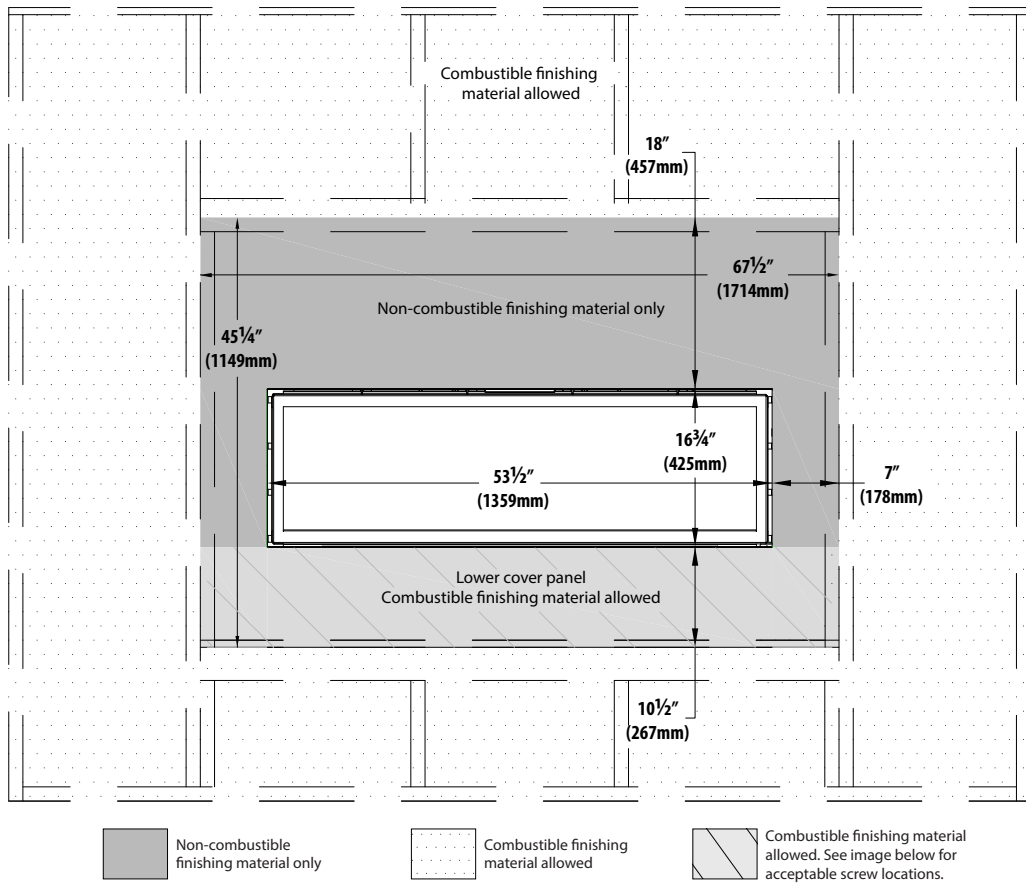


Figure 3.3, CLW-ST Minimum Non-combustible Finishing Dimensions

## Screw Pattern Locations

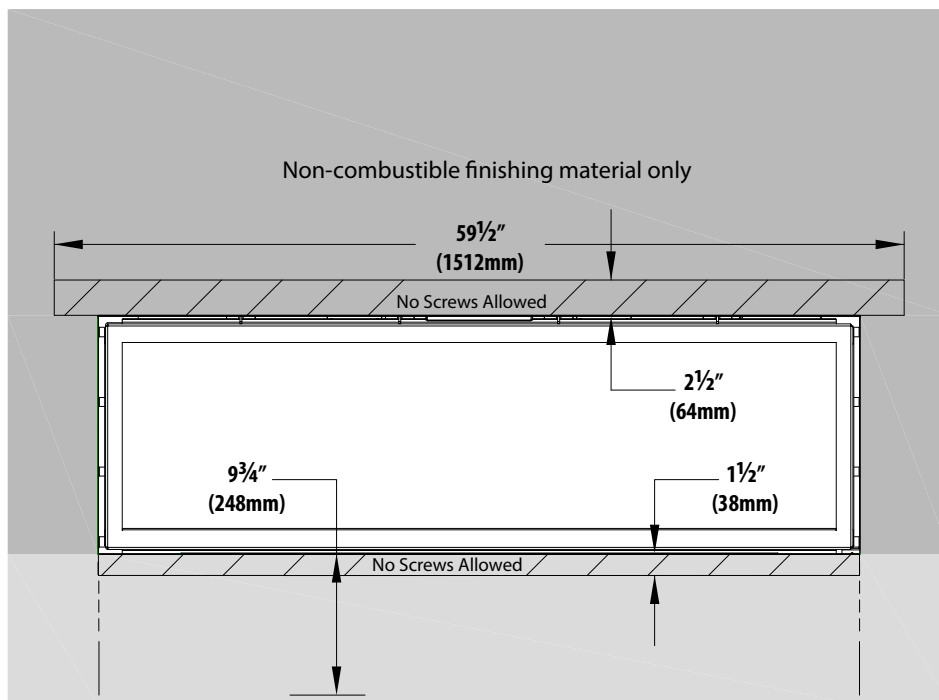


Figure 3.4, CLW-ST Minimum Non-combustible Finishing Dimensions Screw Locations

# BHM-44

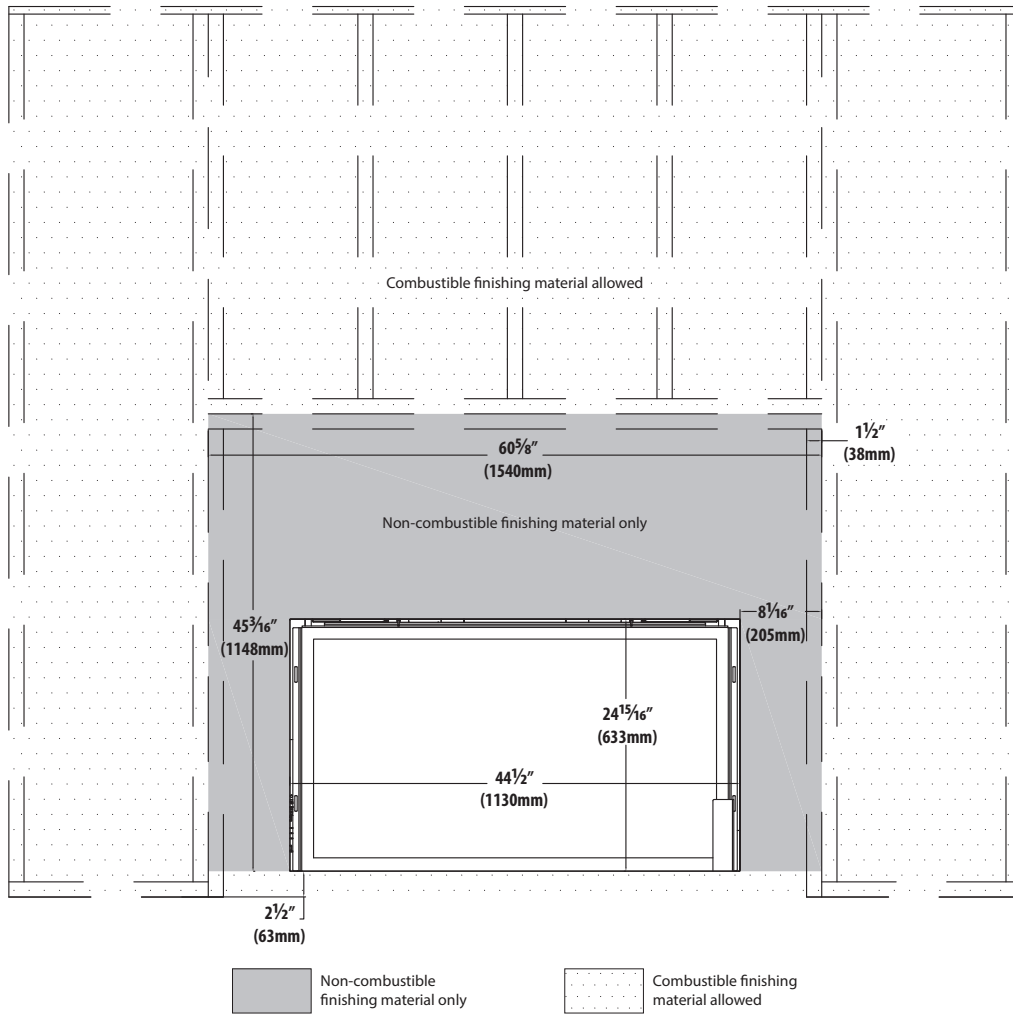


Figure 3.5, BHM-44 Minimum Non-combustible Finishing Dimensions

## 3.2 Combustible Finish

**NOTE:** If you desire to run finishing material up to edge of the discharge opening, see drawing below. Finishing material must not block the air discharge grille and must run evenly along the plenum opening.

**WARNING! RISK OF OVERHEATING AND FIRE!** Ensure the KZK duct system is installed in accordance to this manual AND the convection baffle is removed when using these combustible clearances.

### 3.2.1 Drywall Finish

**IMPORTANT:** Additional 1" (25mm) combustible trim on top of existing materials is NOT allowed inside the side shelf enclosure (Section 2.3 on page 14) or the pocket enclosure (Section 2.4 on page 16).

1" (25mm) combustible material goes on top of any required non-combustible material required on the fireplace as shown in Figures 3.1 and 3.2 on page 17 for CLW-50, Figures 3.3 and 3.4 on page 18 for CLW-ST, and Figure 3.5 on page 19 for BHM-44.

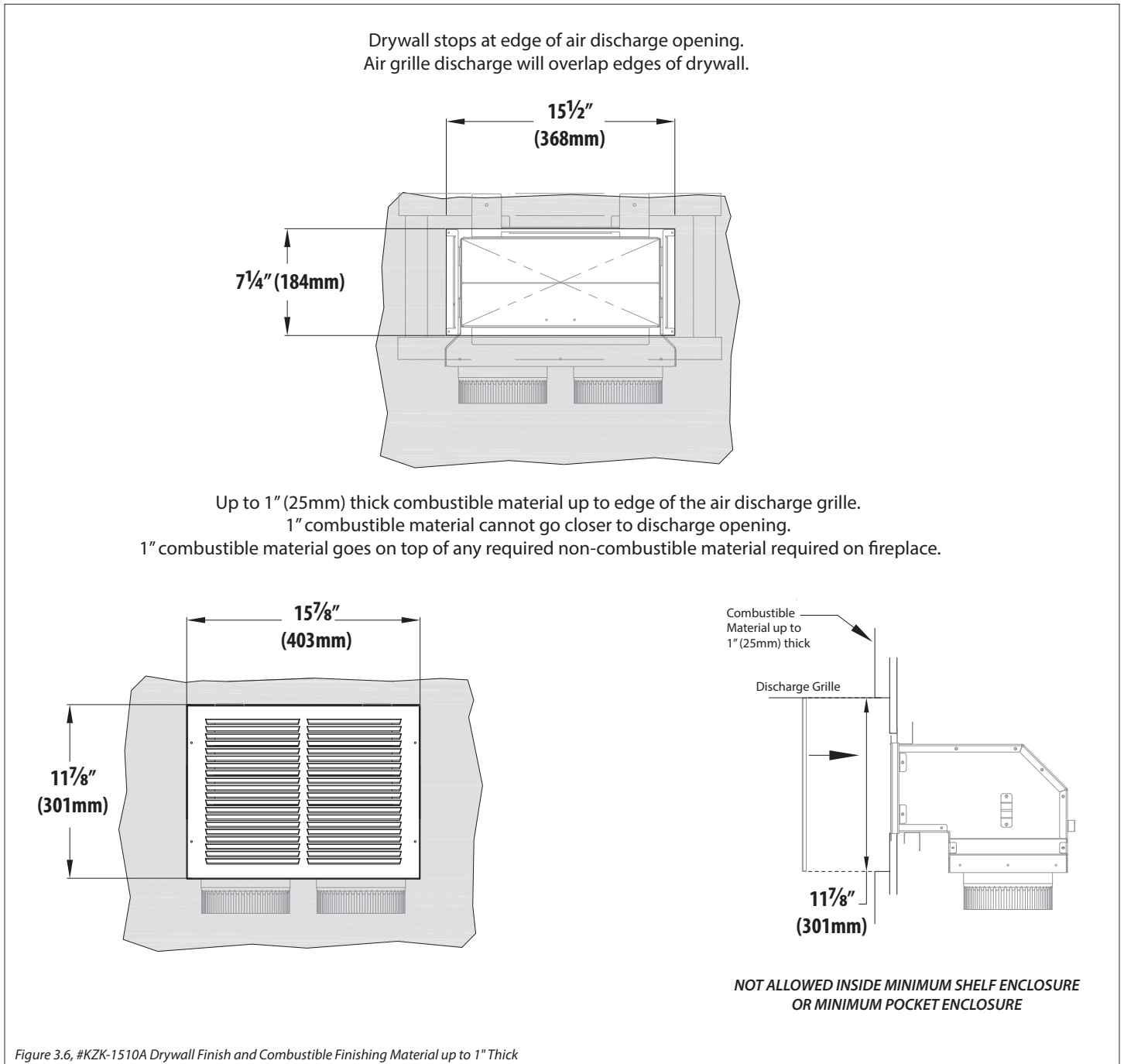
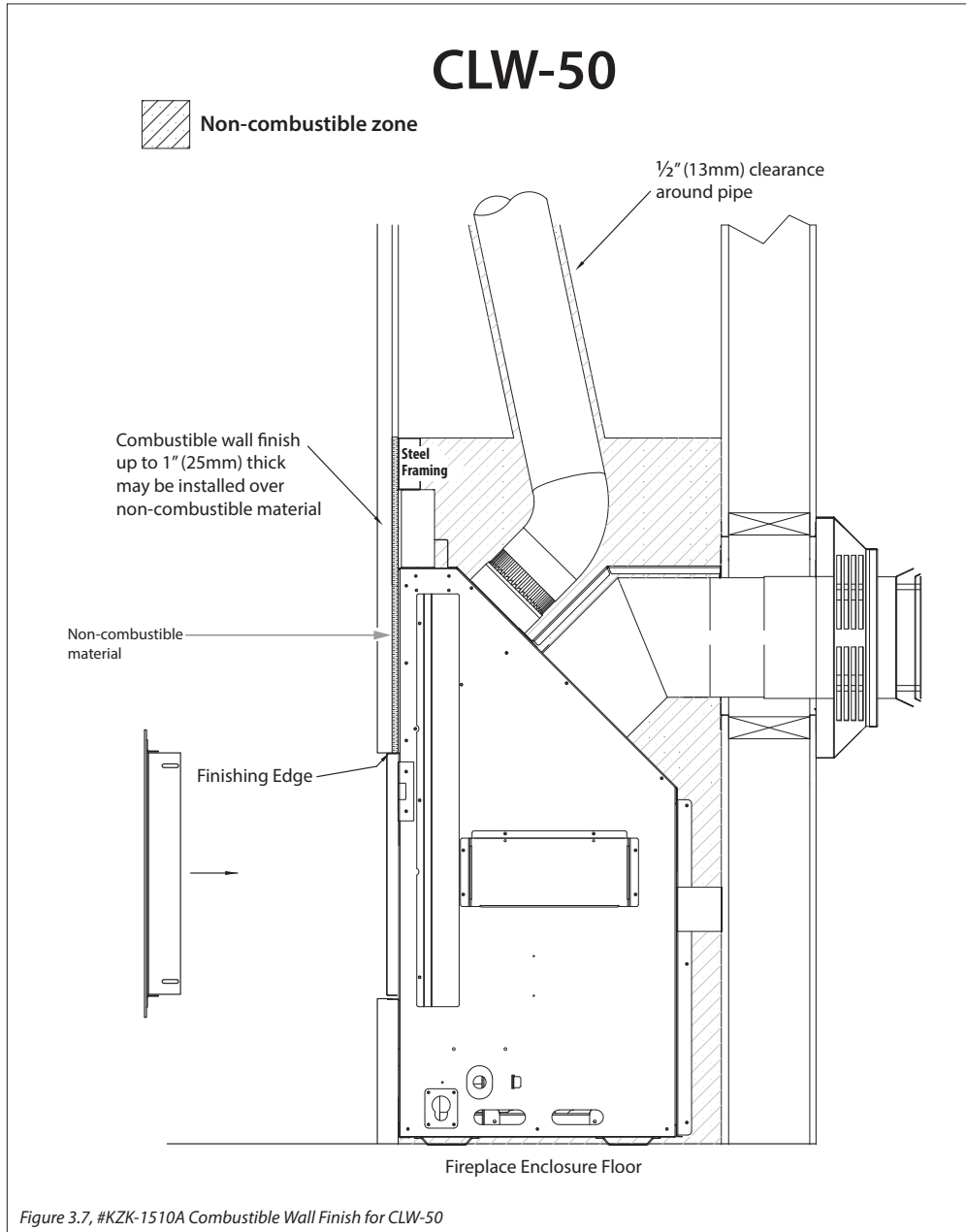


Figure 3.6, #KZK-1510A Drywall Finish and Combustible Finishing Material up to 1" Thick

### 3.2.2 CLW-50 Combustible Wall Finish

- Figure 3.7 shows installation of combustible wall finish up to 1" thick. This combustible material goes over any required non-combustible materials as shown in Figure 3.1 on page 17.
- This 1" (25mm) combustible material is able to go down to the fireplace finishing edge.
- See Figure 3.6 on page 20 for up to 1" (25mm) thick combustible material installation around the KZK air discharge grille.



### 3.2.3 CLW-ST Combustible Wall Finish

- Figure 3.8 shows installation of combustible wall finish up to 1" thick. This combustible material goes over any required non-combustible materials as shown in Figure 3.3 on page 18.
- This 1" (25mm) combustible material is able to go down to the fireplace finishing edge.
- See Figure 3.6 on page 20 for up to 1" (25mm) thick combustible material installation around the discharge trim of the KZK air discharge opening.

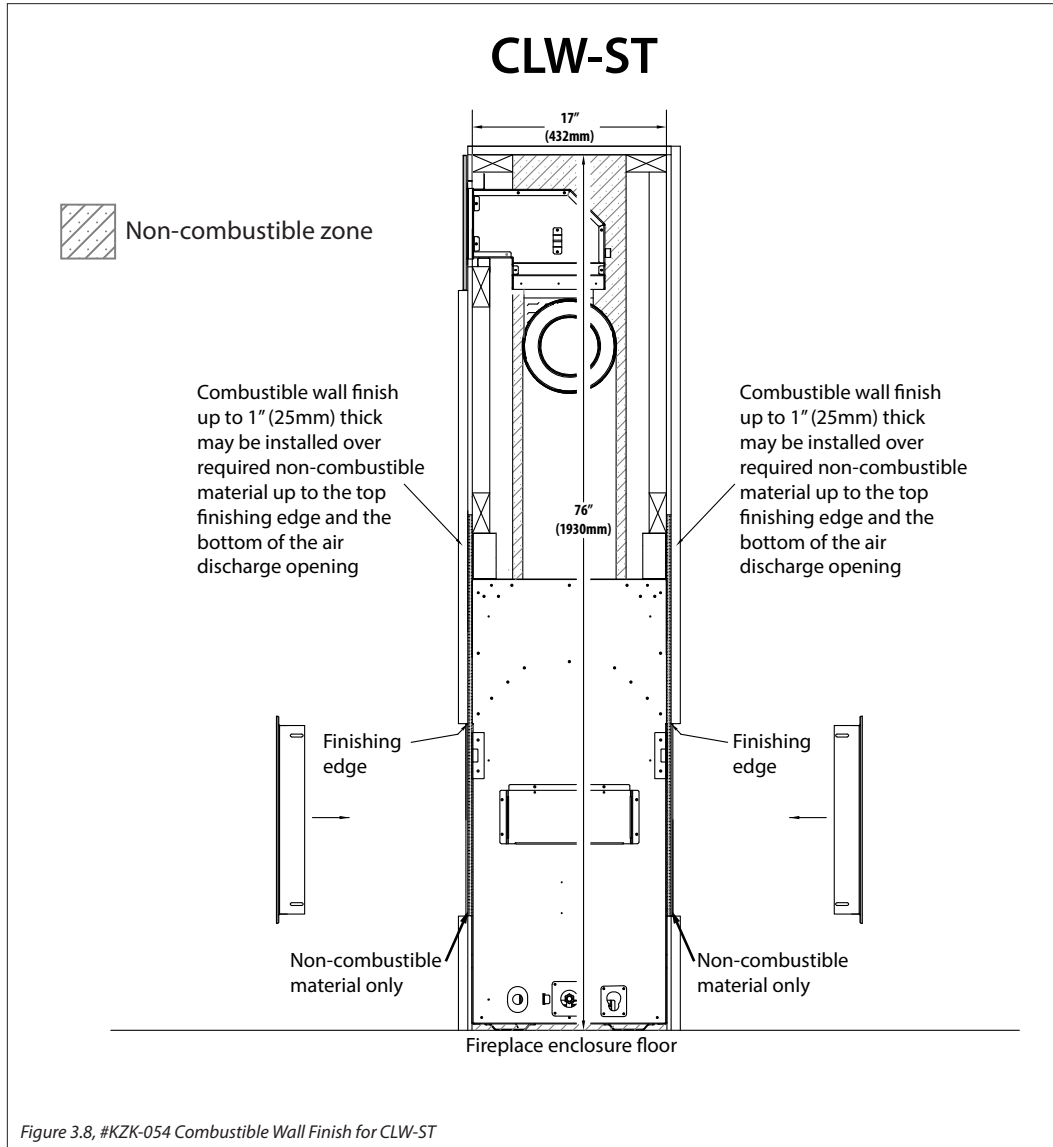


Figure 3.8, #KZK-054 Combustible Wall Finish for CLW-ST

### 3.2.4 BHM-44 Combustible Wall Finish

- Figure 3.9 shows installation of combustible wall finish up to 1" thick. This combustible material goes over any required non-combustible materials as shown in Figure 3.5 on page 19.
- This 1" (25mm) combustible material is able to go down to the fireplace finishing edge.
- See Figure 3.6 on page 20 for up to 1" (25mm) thick combustible material installation around the KZK air discharge grille.

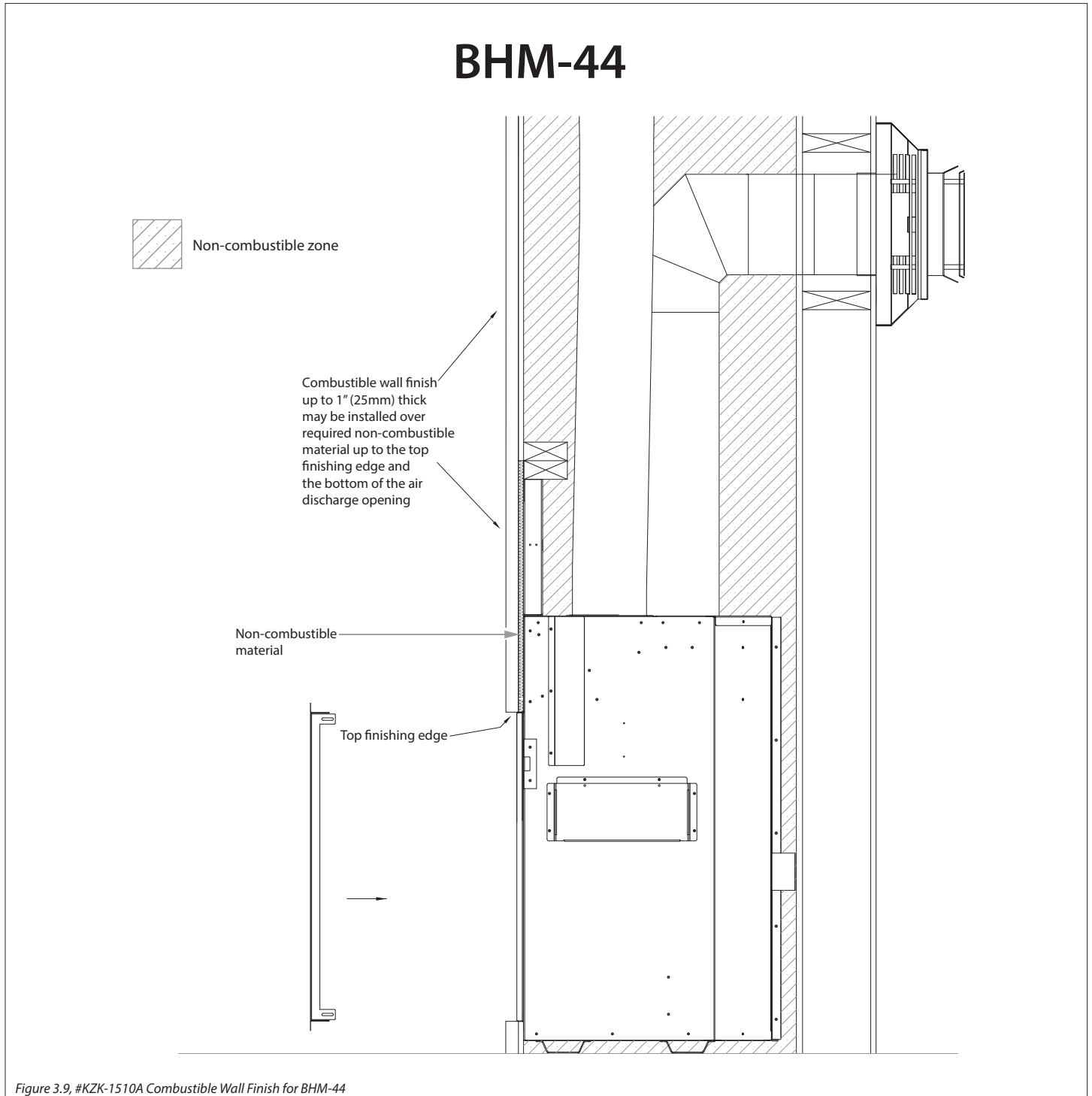


Figure 3.9, #KZK-1510A Combustible Wall Finish for BHM-44

### 3.3 Hearth and Mantel Clearances

The following drawings show the hearth and mantel clearances allowed for the CLW-50, CLW-ST, and BHM-44 with no surround or optional surrounds installed (if applicable). The CLW-50 and CLW-ST use the same optional surrounds. Follow the drawings for the minimum distance needed between the hearth and mantel when installing an optional surround to allow for proper servicing clearances.

#### 3.3.1 CLW-50 & CLW-ST Finishing Guidelines for Optional Surrounds

- Figure 3.10 shows where to end finishing materials, when measuring from the finishing edge, to allow installation of any optional surround. Most finishing material will not fit behind the optional surround(s) when it is installed.
- Measurement 'A' shows the space to leave on each side.
- Measurement 'B' shows the space to leave on the top and the bottom.

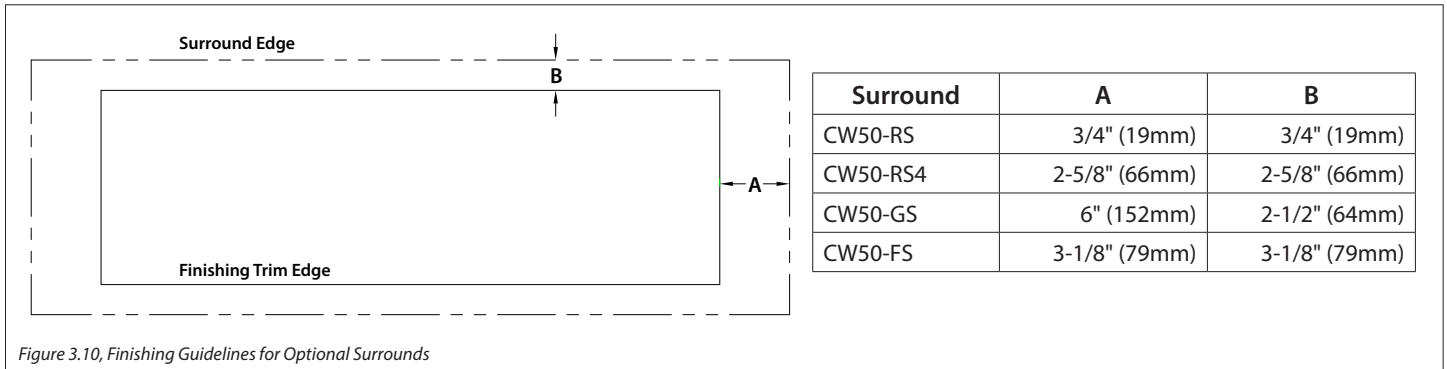


Figure 3.10, Finishing Guidelines for Optional Surrounds

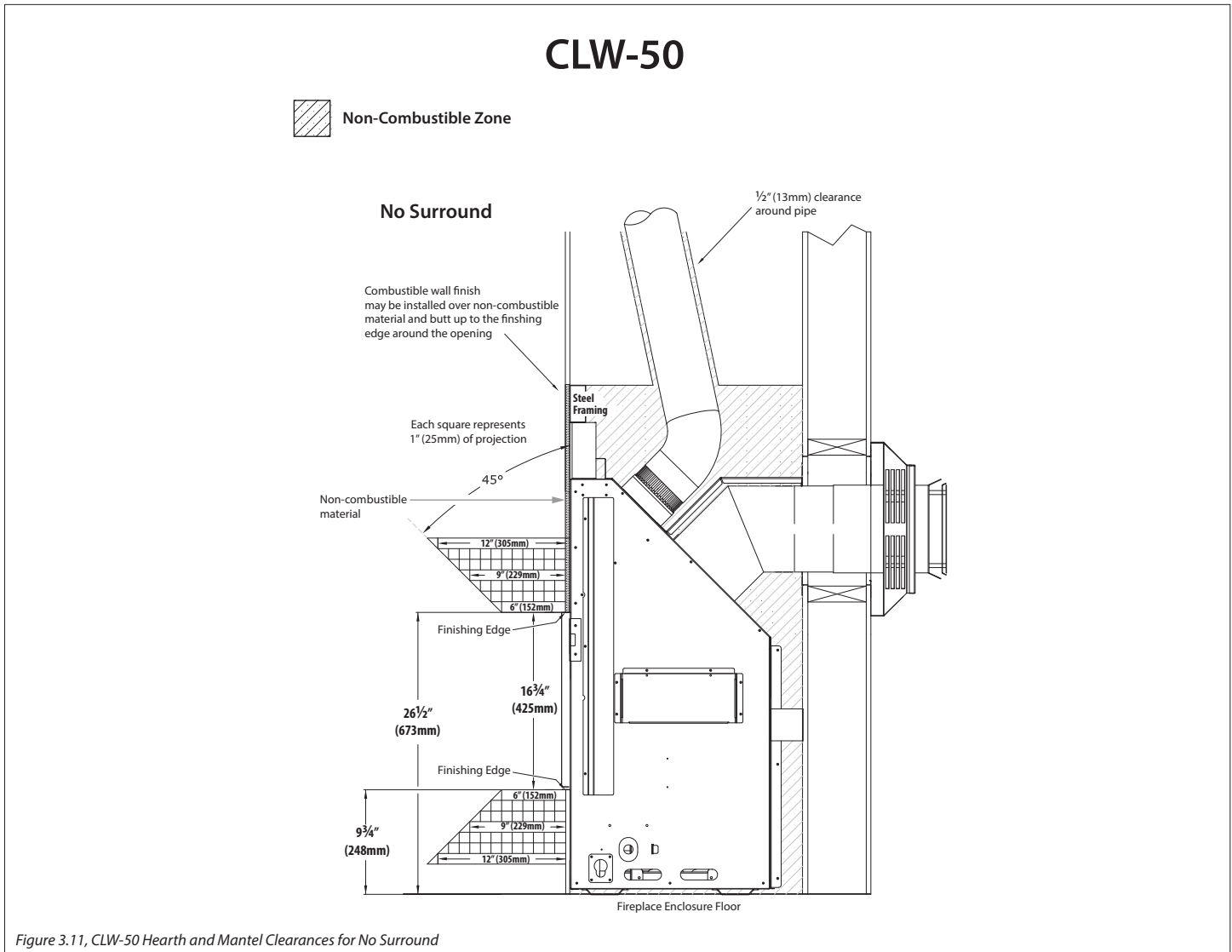


Figure 3.11, CLW-50 Hearth and Mantel Clearances for No Surround



# CLW-ST No surround

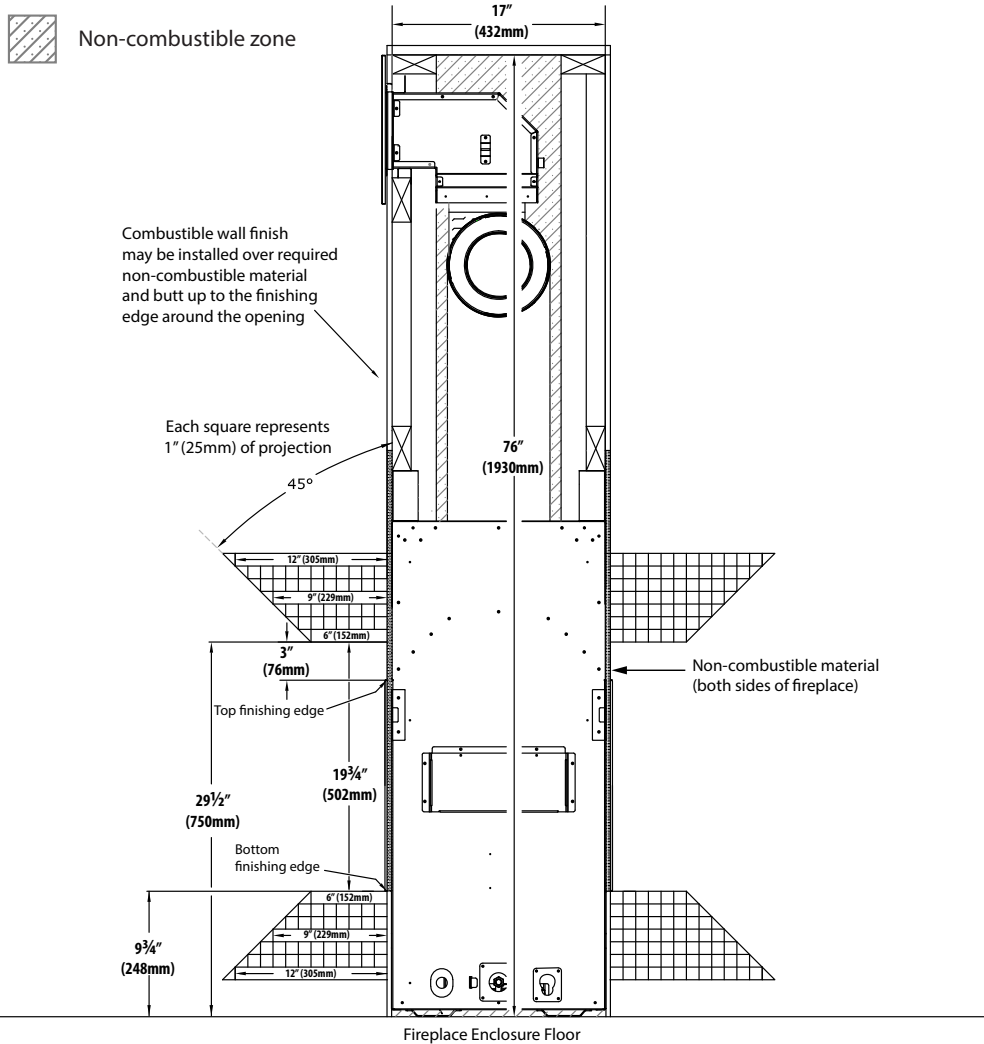


Figure 3.12, CLW-ST Hearth and Mantel Clearances for No Surround

### 3.3.2 BHM-44 Mantel and Hearth Requirements

The BHM-44 is equipped only with a safety screen that fits inside the finishing edge. Finishing material may butt up against the finishing edge.

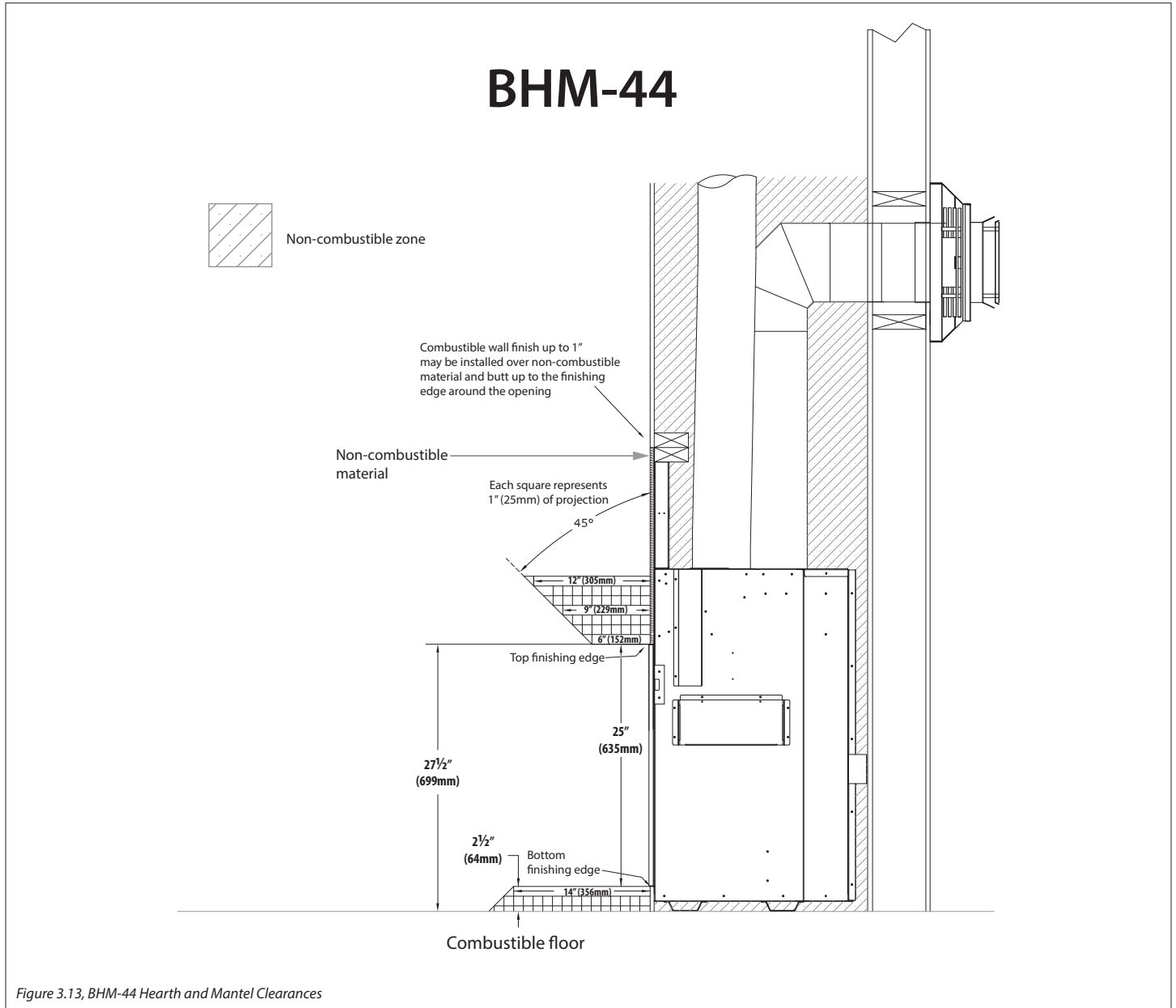


Figure 3.13, BHM-44 Hearth and Mantel Clearances

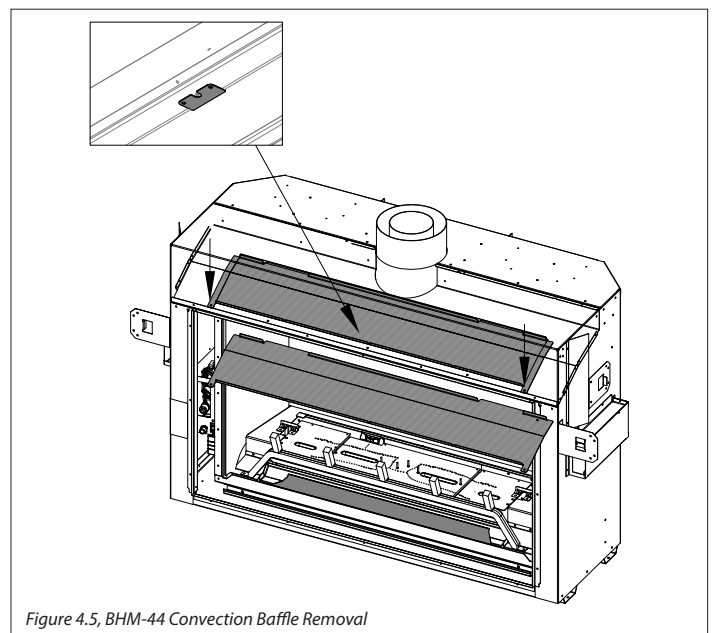
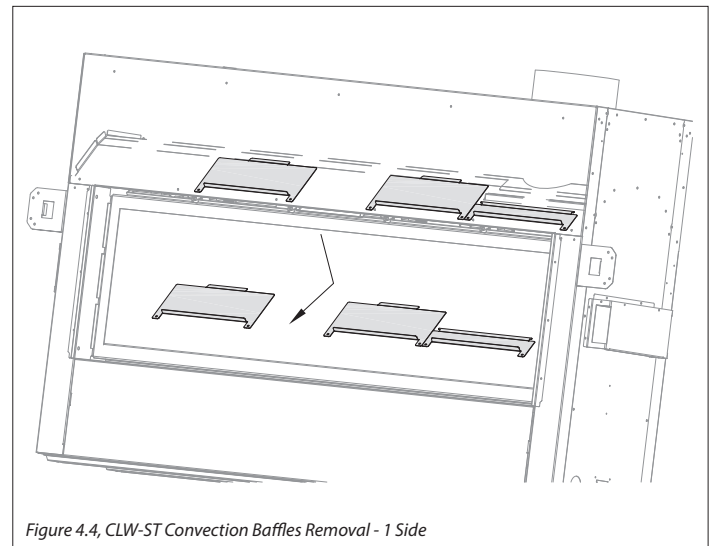
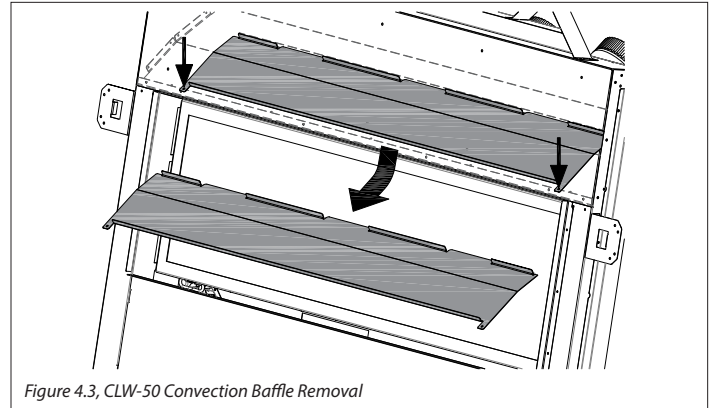
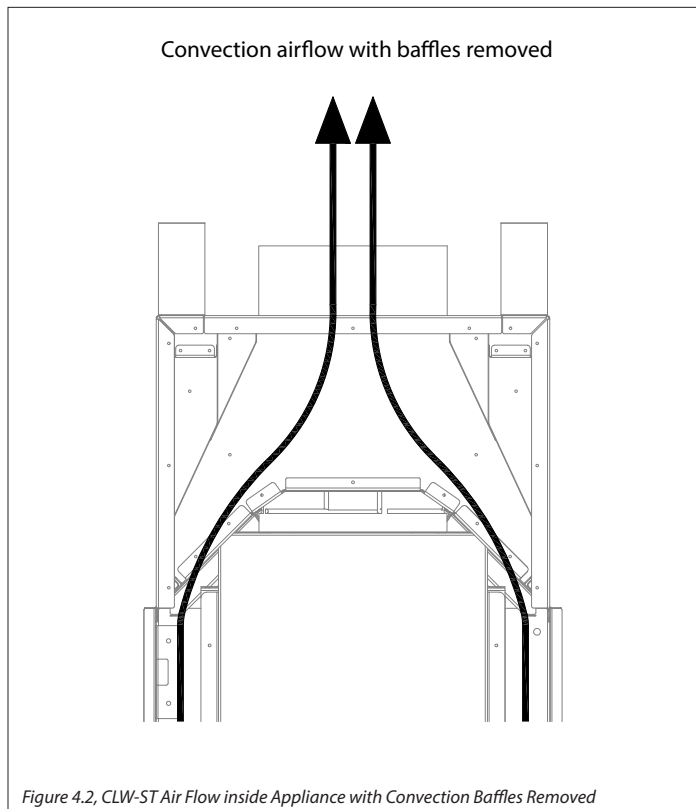
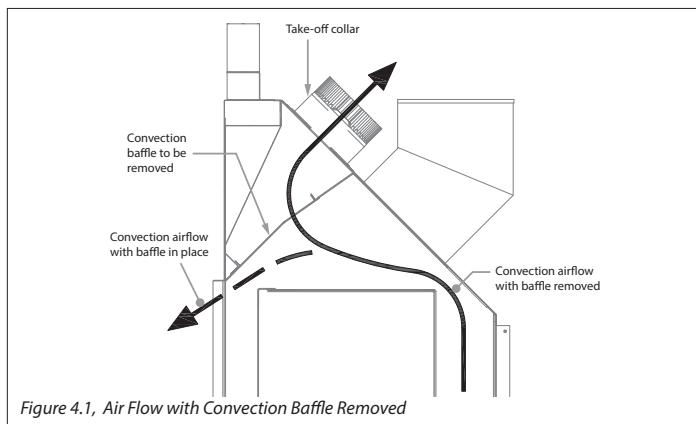
## 4.0 INSTALLATION

*All contents in this kit are required and must be installed.*

The Kozy Zone Kit requires that the convection baffle, located above the firebox inside the appliance metal cabinet, to be removed to allow the hot airflow to convect upwards into the air ducts installed on the fireplace.

1. Remove the convection baffle from the appliance.  
**CLW-50:** The baffle is secured by (2) screws right behind the upper edge of the fireplace opening. See Figure 4.3.  
**CLW-ST:** The (6) baffles are secured by (2) screws each behind the upper edge of both fireplace openings. See Figure 4.4.  
Recycle this panel as it is no longer needed.  
**BHM-44:** The baffle is secured by a baffle clip with (2) screws in the front center, and (2) screws right behind the upper edge of the fireplace opening. See Figure 4.5.

*Instructions continue on the next page.*



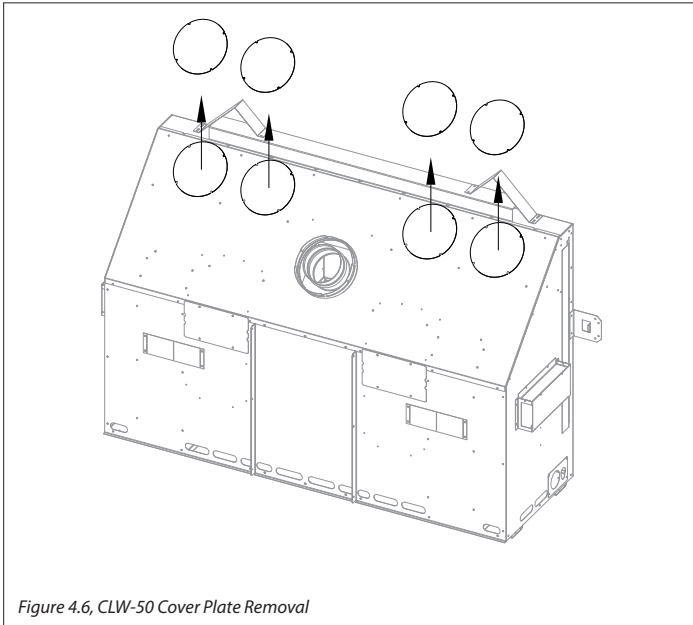


Figure 4.6, CLW-50 Cover Plate Removal

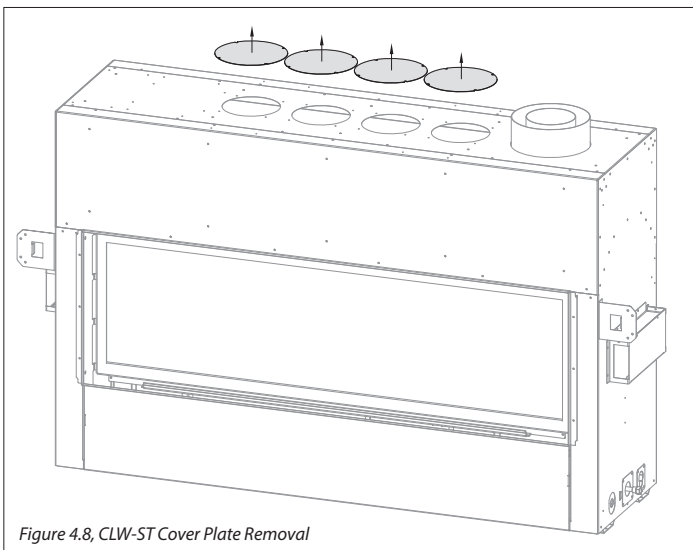


Figure 4.8, CLW-ST Cover Plate Removal

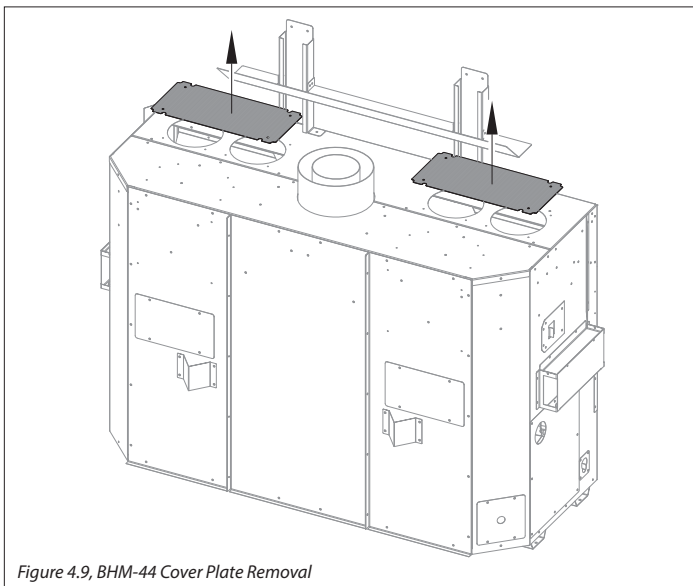


Figure 4.9, BHM-44 Cover Plate Removal

2. **CLW-50:** Remove (4) cover plates on top of the appliance (4 screws each).  
**CLW-ST:** Remove (4) cover plates on top of the appliance (4 screws each).  
**BHM-44:** Remove (2) cover plates on top of the appliance (4 screws each).
3. Align the take off collars to the corresponding holes on top of the appliance. Secure with screws previously removed. Install the take off collars to the corresponding opening(s) on the plenum(s). Use supplied screws.
4. Frame a rough opening at the desired location. See previous pages of this manual for allowable plenum positions and rough frame opening sizes.
5. Install the plenum(s) into the rough frame opening maintaining minimum clearances to combustibles, as listed in the previous pages of this manual, and in the fireplace installation manual. Fix the plenum to the framing using nails or screws through the top mounting bracket.
6. Use metal strapping (not supplied) as required to further secure the plenum to framing.
7. Attach the piping from all (4) plenum take off collars to all (4) take off collars on the fireplace. If you are mounting the plenum 10' or less above the fireplace, use (1) #KZK-410-6 kit or UL-181 Class 0 approved air duct. If you are mounting the plenum between 10' to 20' above the fireplace then you will need (2) #KZK-410-6 kits and #KZK-CPL6 or UL-181 Class 0 approved air duct.
8. An upward slope must be maintained in horizontal sections of pipes for proper convection. Support horizontal sections every 24 inches.
9. Install the air grilles provided with the kit using (4) screws total.
10. If desired, the air grilles may be painted. Use high temperature paint (250°F).
11. Continue with fireplace installation.

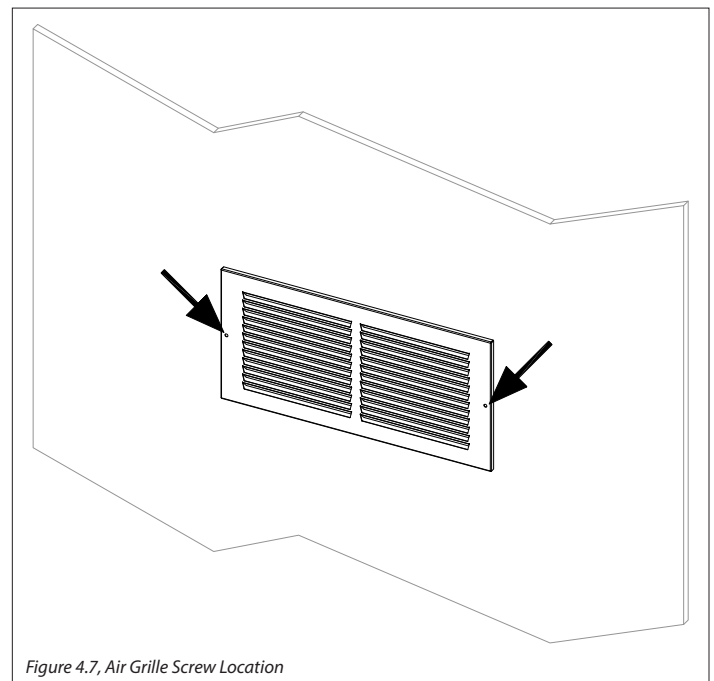


Figure 4.7, Air Grille Screw Location



# KIT KOMFORT ZONE

## n° KZK-1510A

*Pour utiliser avec le foyer au gaz à évacuation directe n° BHM-44, n° CLW-ST et n° CLW-50  
(Début du numéro de série : 19 501780 50)*

**KOZY HEAT**  
FIREPLACES  
HUSSONG MANUFACTURING CO., INC.

**INSTALLATEUR : Laissez ce manuel avec l'appareil.  
PROPRIÉTAIRE : Conservez ce manuel pour le consulter.**

English and French installation manuals are available through your local dealer. Visit our website [www.kozyheat.com](http://www.kozyheat.com).

Les manuels d'installation en français et en anglais sont disponibles chez votre détaillant local. Visitez [www.kozyheat.com](http://www.kozyheat.com).



We suggest that our gas hearth products be installed and serviced by professionals who are certified in the U.S. by the National Fireplace Institute® (NFI) as NFI Gas Specialists.

### LISEZ TOUTES CES ÉTAPES AVANT DE COMMENCER L'INSTALLATION. LAISSEZ CE MANUEL AVEC L' APPAREIL.

Ce kit doit être installé par un centre de service ou un installateur qualifié, ou par le fournisseur de gaz, au moment d'installer l'appareil de chauffage. Ces instructions doivent être utilisées conjointement avec le manuel d'installation et d'utilisation fourni avec l'appareil. Veuillez lire complètement le manuel d'installation de l'appareil avant de commencer les procédures de ce manuel d'instructions.

<b>1.0 INTRODUCTION</b> .....	<b>3</b>
1.1 Contenu du Kit.....	3
1.2 Préparation du foyer.....	3
1.3 Configurations suggérées.....	4
1.4 Dimensions et vue d'ensemble.....	7
1.5 Installation des conduit d'air .....	8
<b>2.0 ENCADREMENT ET DÉGAGEMENTS</b> .....	<b>9</b>
2.1 Dégagement aux gicleurs.....	9
2.2 Encadrement .....	10
2.3 Dimensions d'installation et exigences avec étagère.....	14
2.4 Dégagements aux mur face avant de CLW-ST .....	16
<b>3.0 FAÇADE ET FINITION</b> .....	<b>17</b>
3.1 Exigences de matériaux incombustibles.....	17
3.2 Matériaux de finition combustibles .....	20
3.3 Dégagements de l'âtre et du manteau .....	24
<b>4.0 INSTALLATION</b> .....	<b>27</b>

Ce kit optionnel de conduits d'air de convection redistribue l'air chaud du foyer vers le (ou les) lieux de votre choix grâce à la convection naturelle, sans besoin de ventilateur. La sortie d'air chaud peut être dirigée plus haut sur le mur, à travers les murs adjacents, ou même vers la pièce adjacente. Cela permet de réduire beaucoup la température des murs au-dessus du foyer, pour pouvoir y installer une télévision, des objets d'art ou autres.



# 1.0 INTRODUCTION

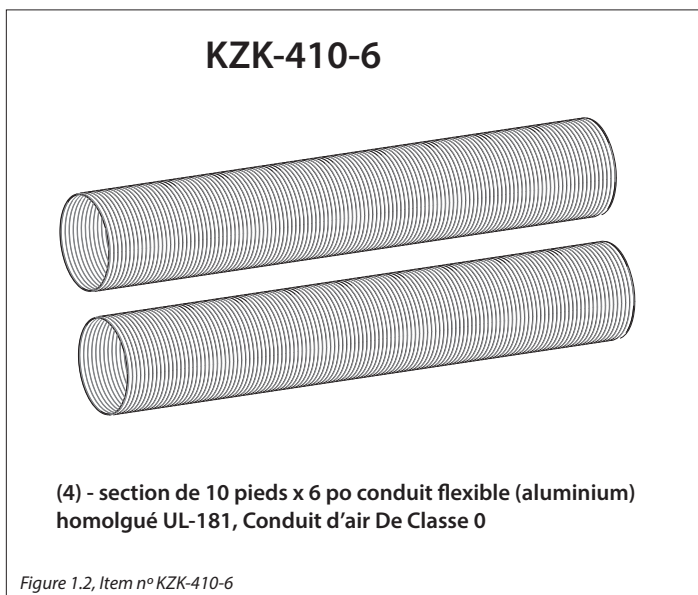
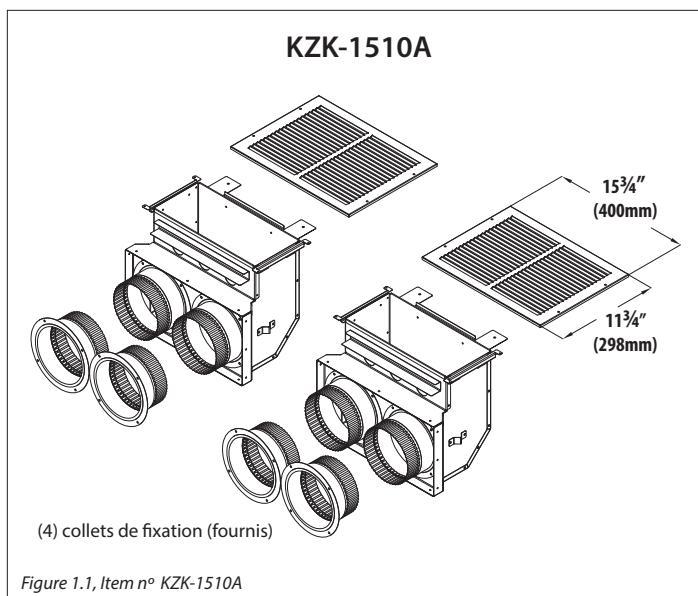
## 1.1 Contenu du Kit

Toutes les composants de ce kit est requis et doit être installé.

- (2) plénum de 15 po du kit KZK-1510A
- (2) grilles d'air
- (8) collets de 6 po - (4) collets à fixer au bas du plénum; (4) collets à fixer au foyer, à l'endroit où les couvercles sont retirés.

(1) KZK-410-6 est utilisé pour conduits d'air de 10 pieds (3,05 m). Pour installer des conduits de plus de 10 pieds (3,05 m), il faut commander (1) KZK-CPL6.

KZK-CPL6 inclut (6) coupleurs de 6 po qui raccordent (2) KZK-410-6. Vous n'aurez besoin que de (4) coupleurs de 6 po pour l'installation. Si vous installez le plénum à moins de 10 pieds (3 m) au-dessus du foyer, utilisez un (1) kit n° KZK-410-6. Si vous installez le plénum à plus de 10 pieds (3 m) et moins de 20 pieds (6 m) au-dessus du foyer, vous aurez besoin de deux (2) kits n° KZK-410-6 et du kit de coupleurs n° KZK-CPL6.

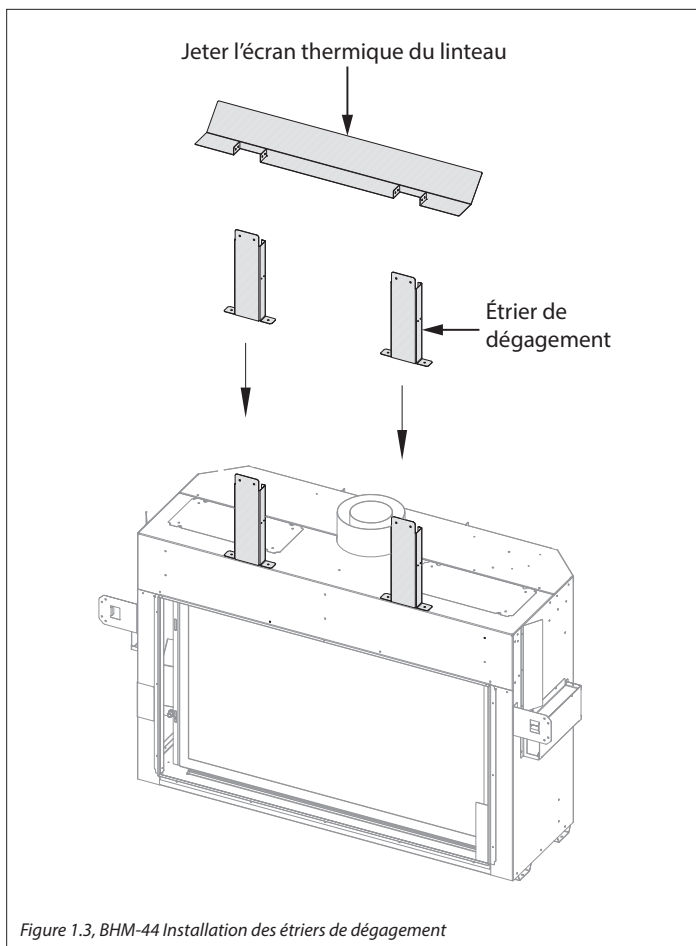


## 1.2 Préparation du foyer

### 1.2.1 BHM-44

L'écran thermique du linteau n'est pas requis pour cette installation. Les étriers de dégagement doivent être installés.

1. Localisez l'écran thermique du linteau sur le dessus du foyer.
2. Jetez l'écran thermique du linteau.
3. Installez les pièces des étriers de dégagement tel que montré ci-dessous, et fixez-les avec (4) vis.

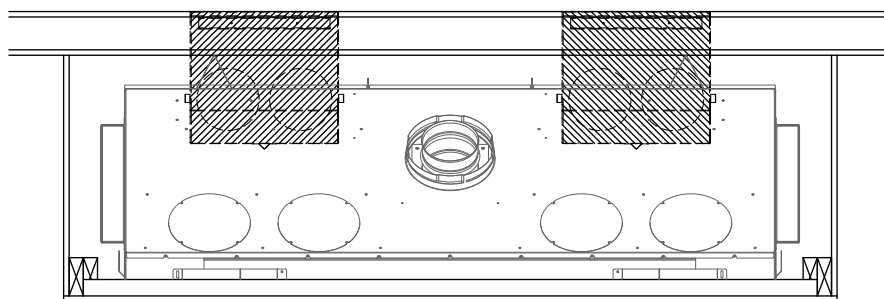




### 1.3 Configurations suggérées

## CLW-50

#KZK-1510A sortie murale arrière



#KZK-1510A sortie murale adjacent

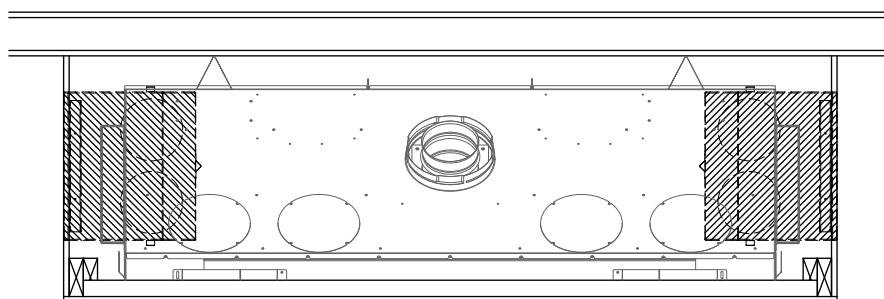


Figure 1.4, CLW-50 Configurations suggérées du KZK-1510A

# CLW-ST

#KZK-1510A front wall outlet

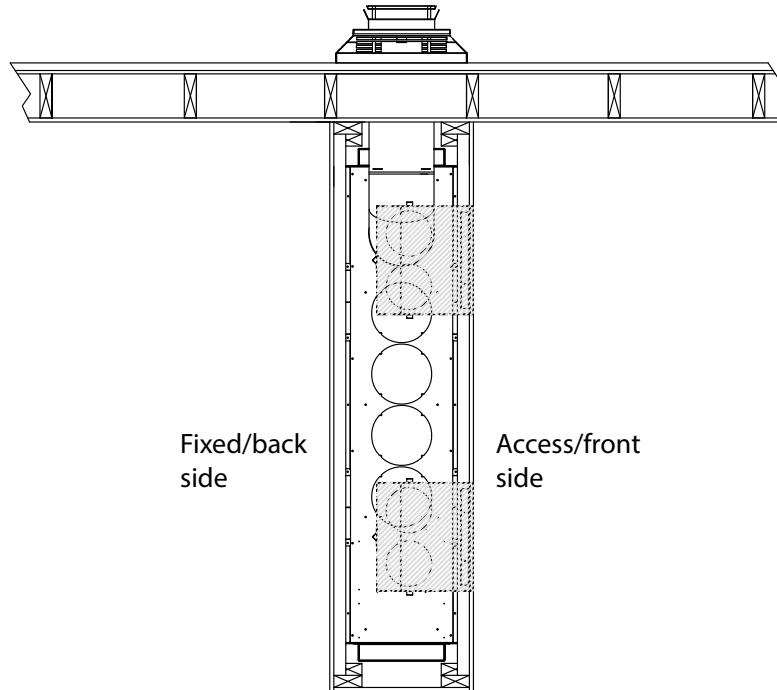
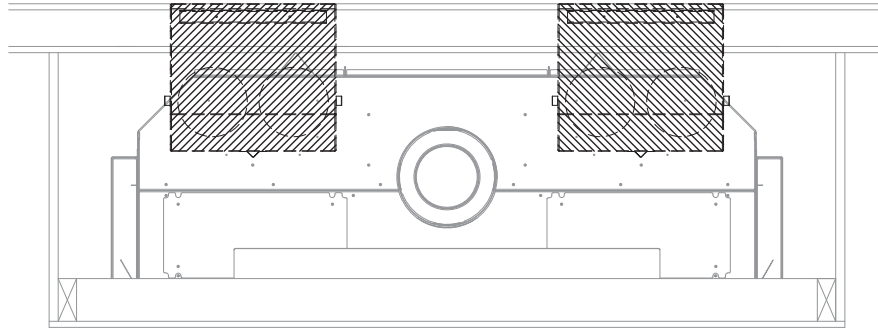


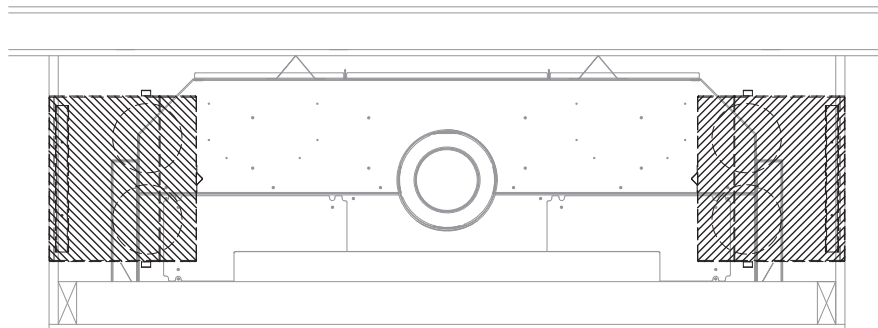
Figure 1.5, CLW-ST Configurations suggérées du KZK-1510A

# BHM-44

#KZK-1510A sortie murale arrière



#KZK-1510A sortie murale adjacent



C'est plus facile de maintenir le dégagement de 1/2 po autour conduits pour l'installations sortie murale arrière si les conduits centraux sont assemblés à l'arrière de KZK

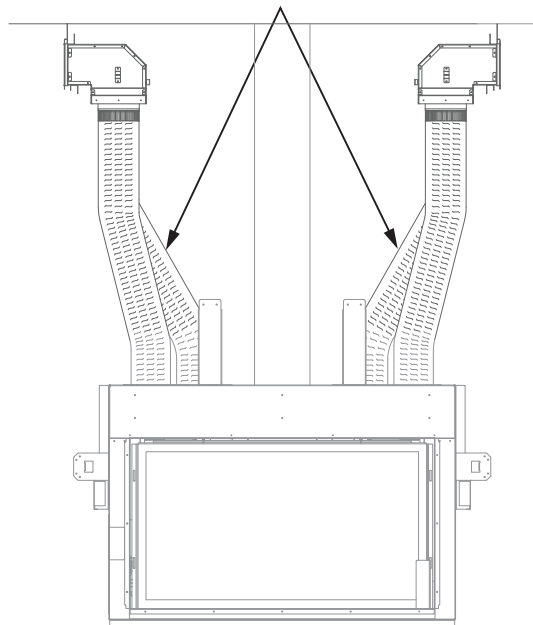
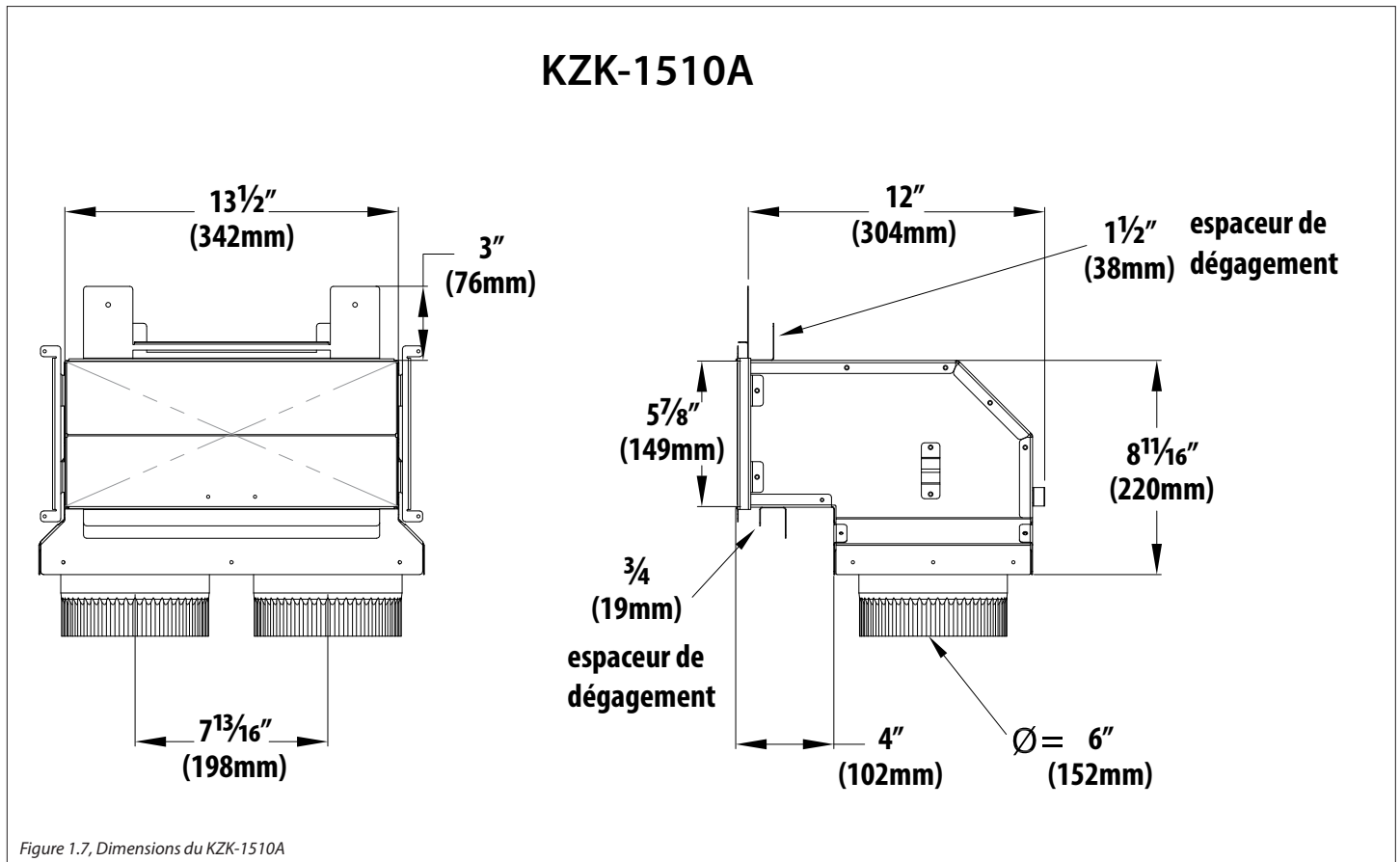


Figure 1.6, BHM-44 Configurations suggérées du KZK-1510A

## 1.4 Dimensions et vue d'ensemble



## 1.5 Installation des conduit d'air

**IMPORTANT :** Les conduits d'air ne doivent pas être installés à l'horizontale sans aucune élévation verticale.

**IMPORTANT :** Un dégagement de 1/2 po (12 mm) autour des conduits d'air doit être maintenu.

Utilisez les conduits d'air n° KZK-410-6 (homologués UL-181, Conduits d'air de Classe 0) pour raccorder le(s) plénum(s) au foyer.

Hussong Mfg. exige des conduits d'air homologués UL-181 de Classe 0 pour raccorder le(s) plénum(s) au foyer.

- Le conduits d'air de longueur maximale : 20 pieds (6 m)

**LES CONDUITS D'AIR DOIVENT ÊTRE INSTALLÉS AVEC UNE ÉLÉVATION VERTICALE MINIMALE DE 4 PO (10 CM)  
À TOUS LES 12 PO (30 CM) DE COURSE HORIZONTALE**

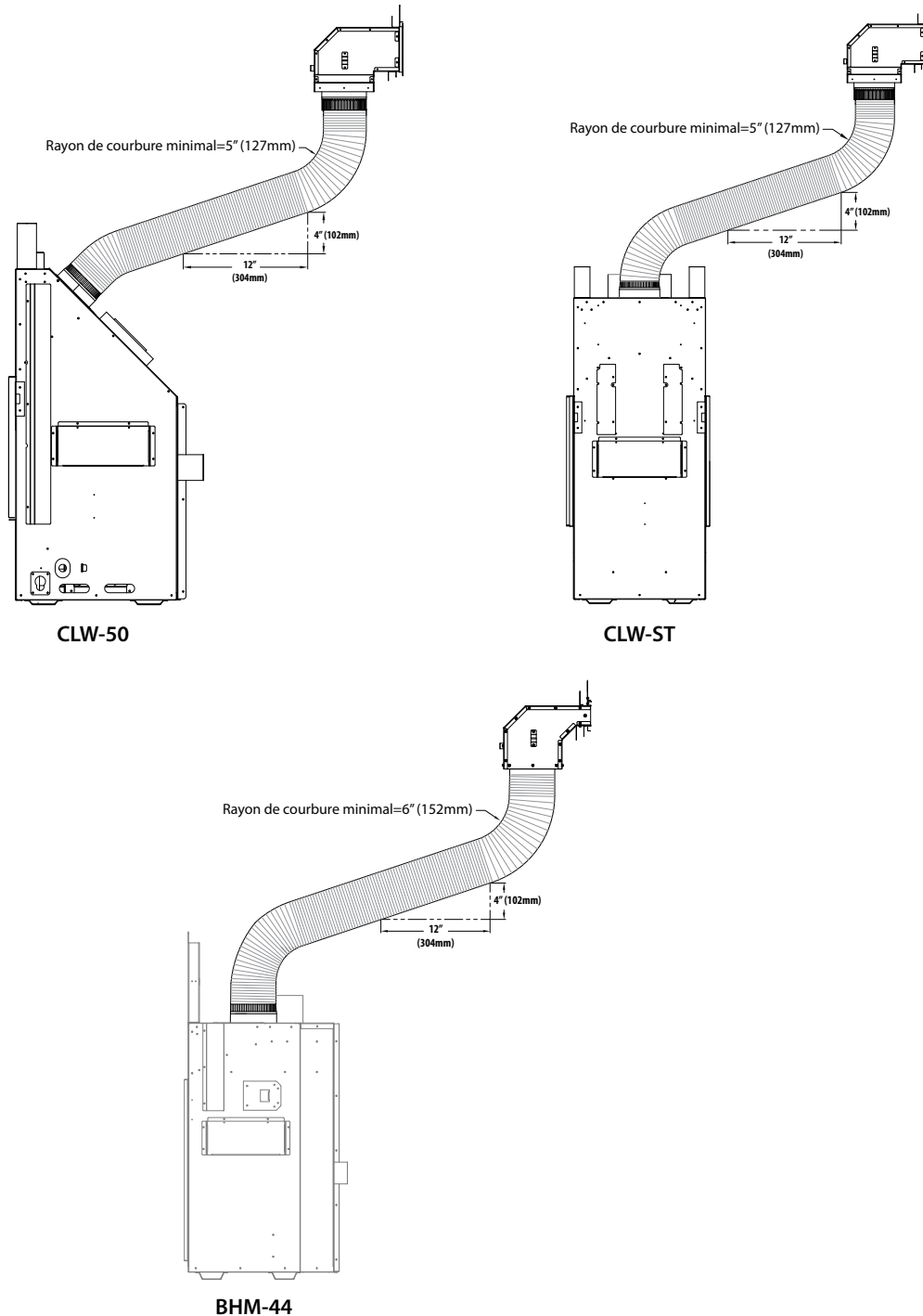


Figure 1.8, Installation de conduits d'air de longueur minimale

## 2.0 ENCADREMENT ET DÉGAGEMENTS

### 2.1 Dégagement aux gicleurs

- Si une tête de gicleur se trouve près d'une ouverture de sortie d'air du kit KZK, l'installation DOIT être conforme au schéma ci-dessous.
- La distance entre une tête de gicleur et l'ouverture de sortie d'air ne doit pas être inférieure à 60 po (1,52 m) en tout point, mesurée à partir de l'ouverture de sortie d'air. Vous devez aussi vérifier que le détecteur de la tête du gicleur est ajusté à la température de déclenchement convenable, pour ne pas déclencher lorsque la pièce se réchauffe en présence du foyer qui chauffe normalement.
- Veuillez suivre les codes du bâtiment locaux pour déterminer quel réglage de température convient à votre installation.

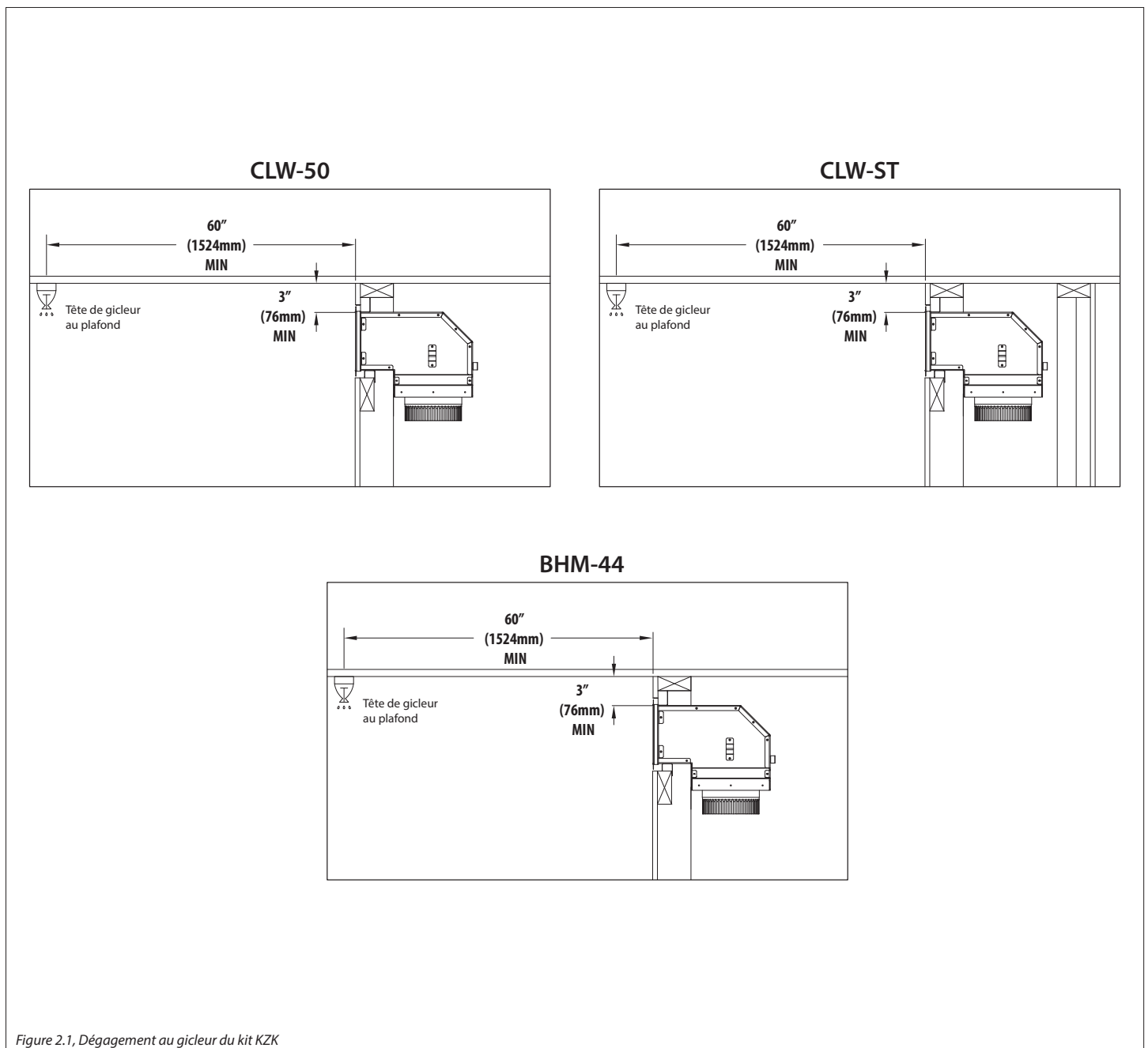
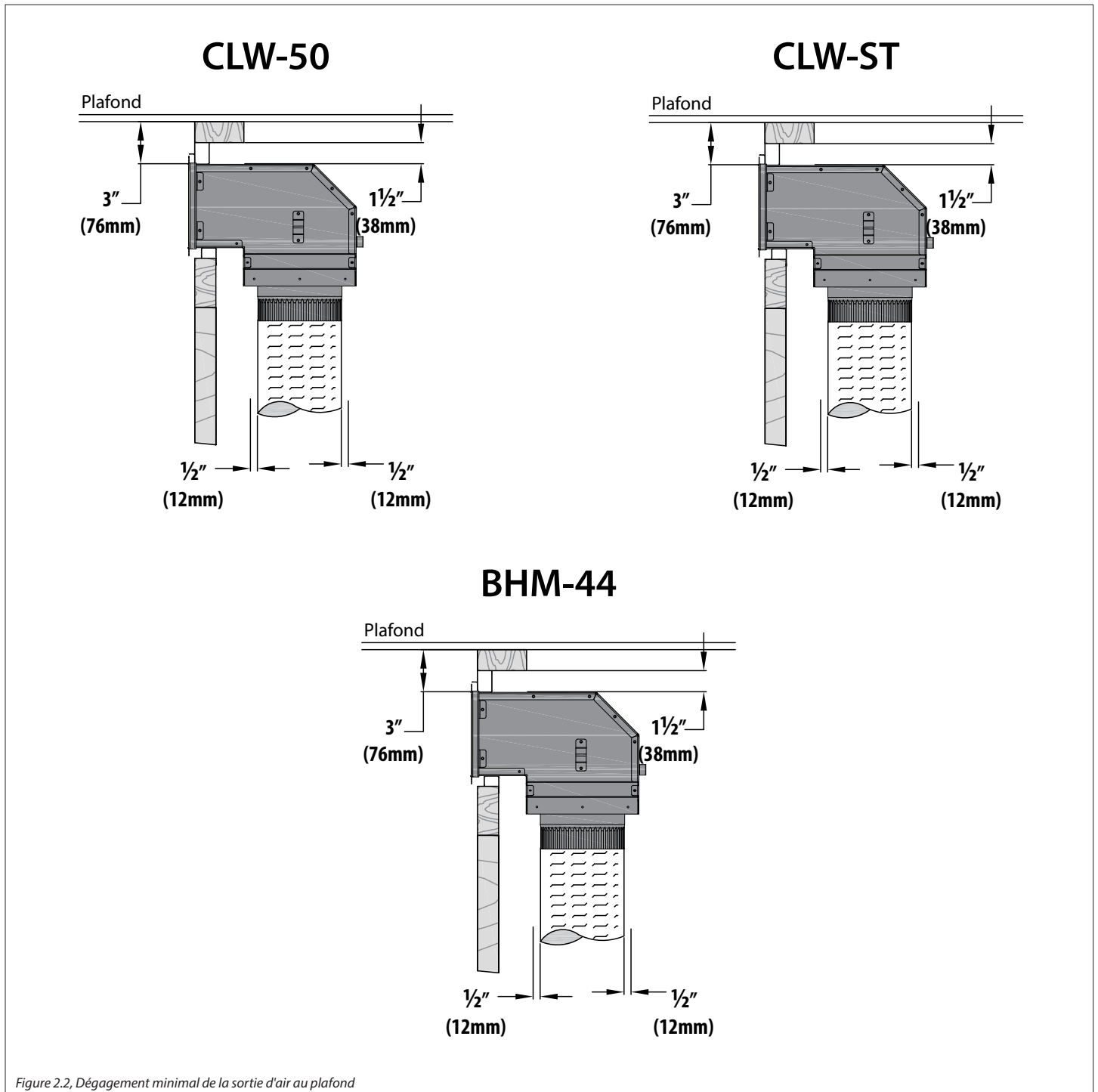


Figure 2.1, Dégagement au gicleur du kit KZK

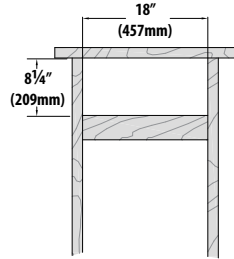
## 2.2 Encadrement

Montré dans cette section les dégagements minimums et les dimensions minimales de l'encadrement pour l'installation du plénum, l'installation de l'appareil et l'appareil avec une construction en retrait (si applicable).



## CLW-50

La hauteur et largeur minimales  
d'encadrement du plénum



Vue de côté de l'appareil  
Profondeur minimale d'encadrement du plénum

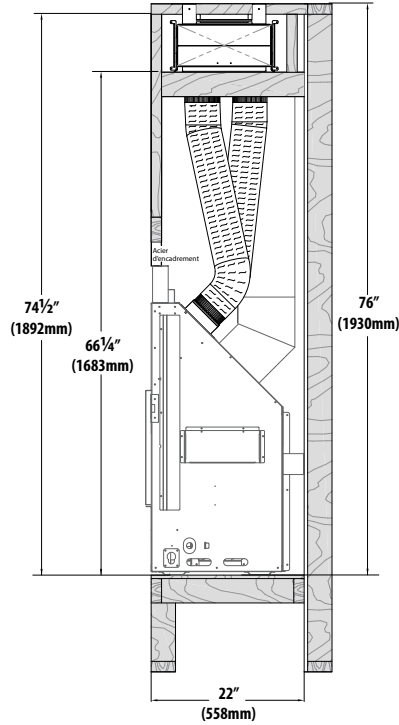


Figure 2.3, Dégagements et dimensions minimum d'encadrement de plénum pour le foyer CLW-50

*Dimensions correspondant à la hauteur d'enceinte minimale*

## CLW-50

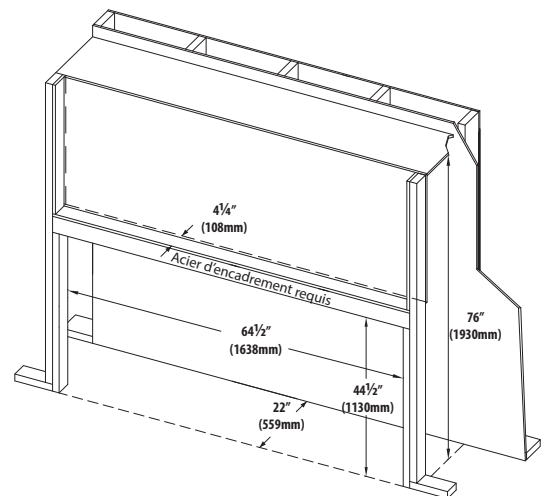
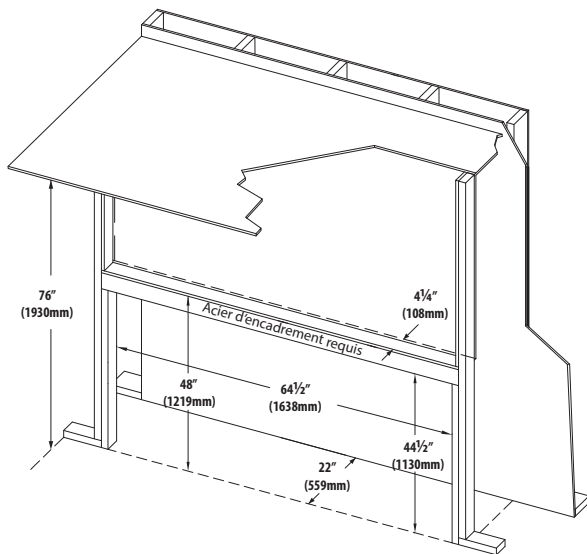


Figure 2.4, Encadrement et dégagement pour le foyer CLW-50

*Dimensions correspondant à la hauteur d'enceinte minimale*



## CLW-ST

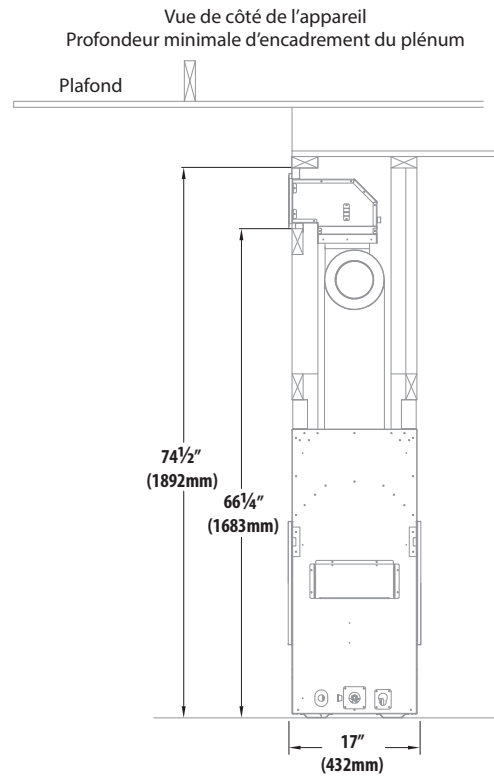
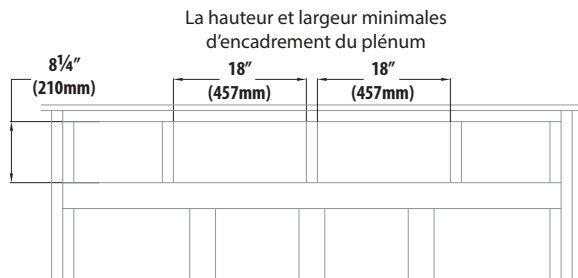


Figure 2.5, Dégagements et dimensions minimum d'encadrement de plénum pour le foyer CLW-ST

**Dimensions correspondant à la hauteur d'enceinte minimale**

## CLW-ST

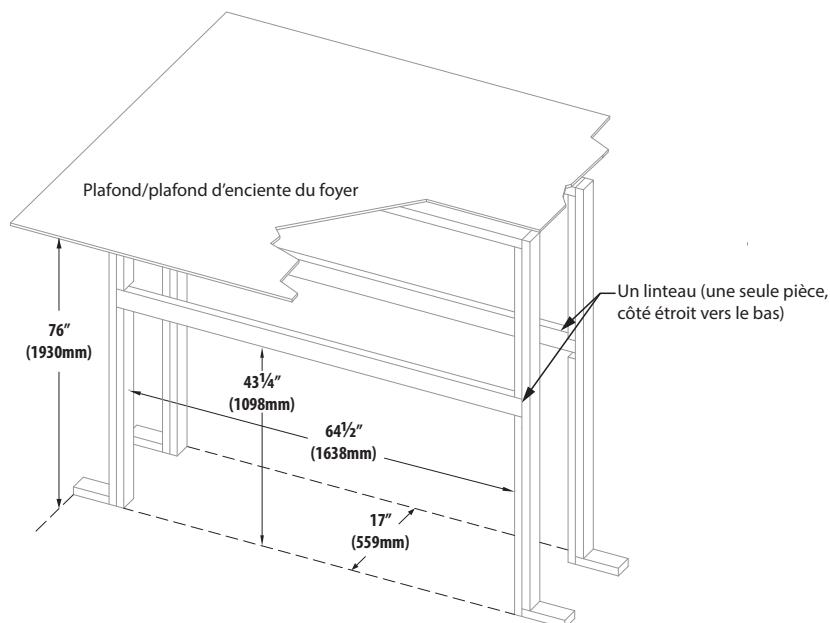


Figure 2.6, Encadrement et dégagement pour le foyer CLW-ST

**Dimensions correspondant à la hauteur d'enceinte minimale**

## BHM-44

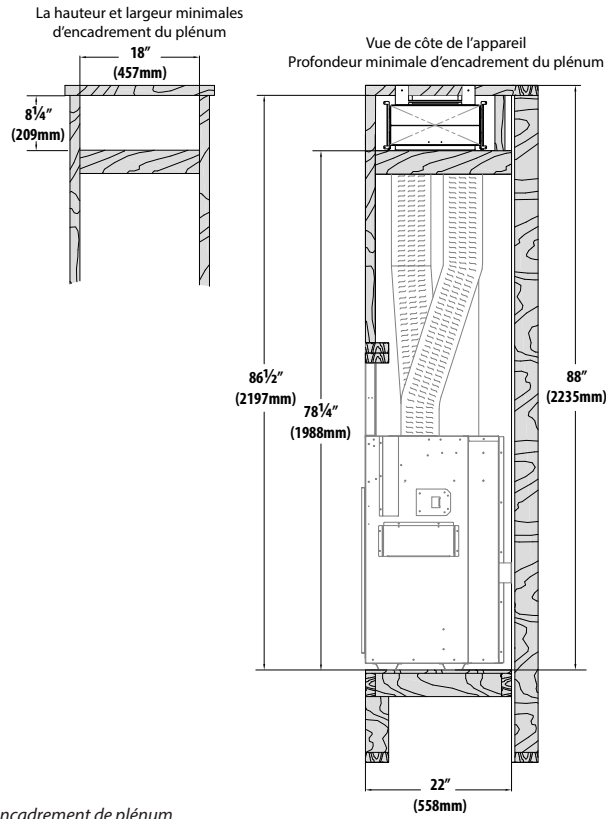


Figure 2.7, Dégagements et dimensions minimum d'encadrement de plénum pour le foyer BHM-44

*Dimensions correspondant à la hauteur d'enceinte minimale*

## BHM-44

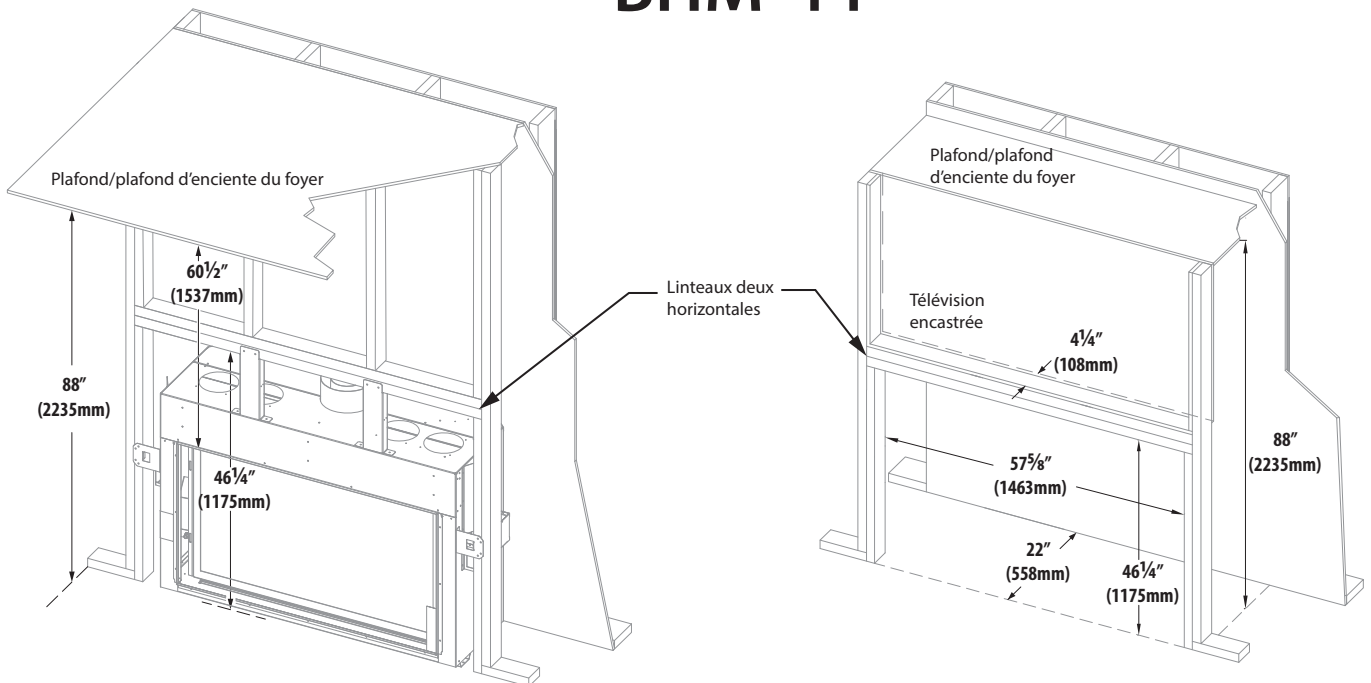


Figure 2.8, Encadrement et dégagement pour le foyer BHM-44

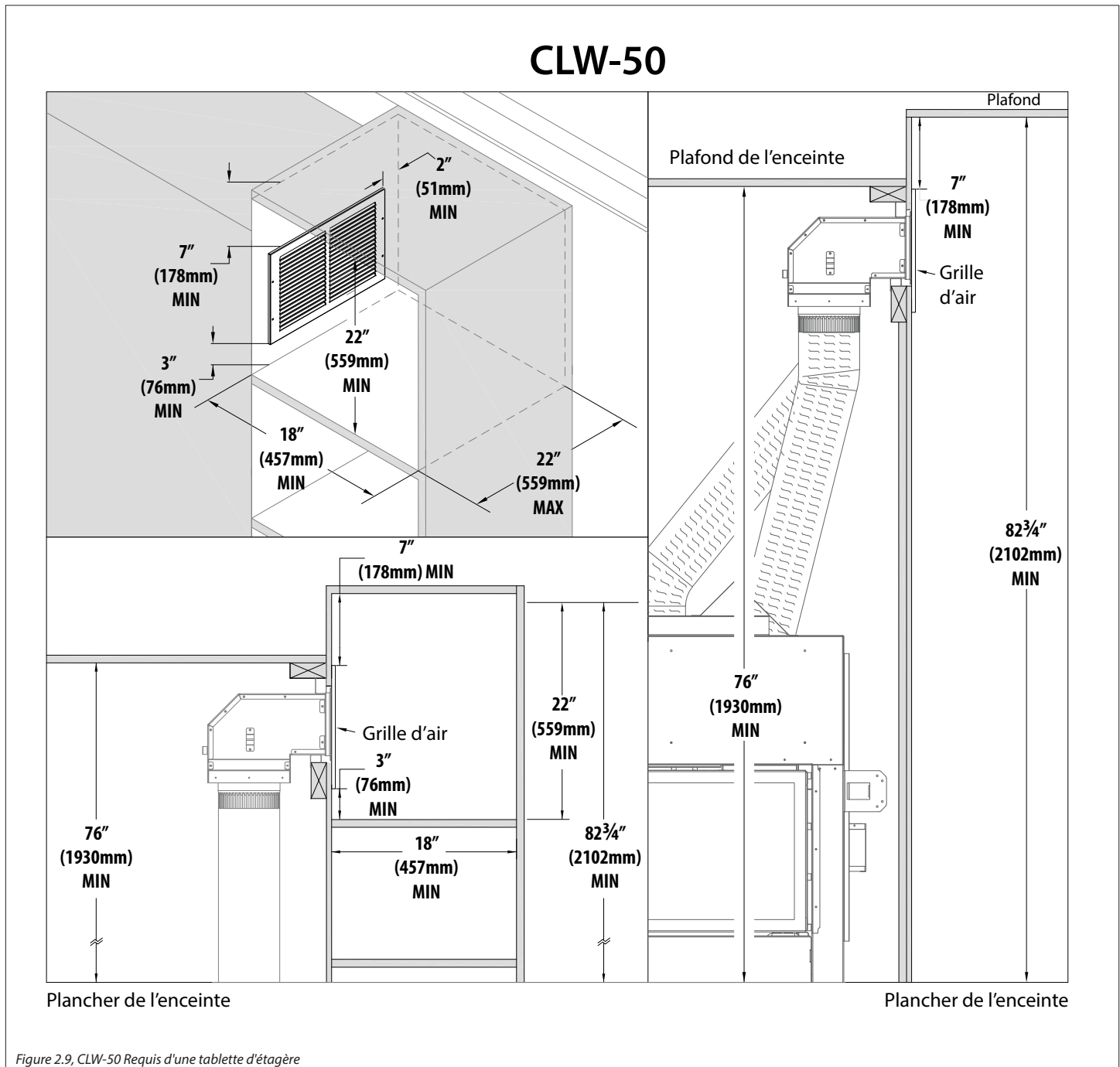
*Dimensions correspondant à la hauteur d'enceinte minimale*

## 2.3 Dimensions d'installation et exigences avec étagère

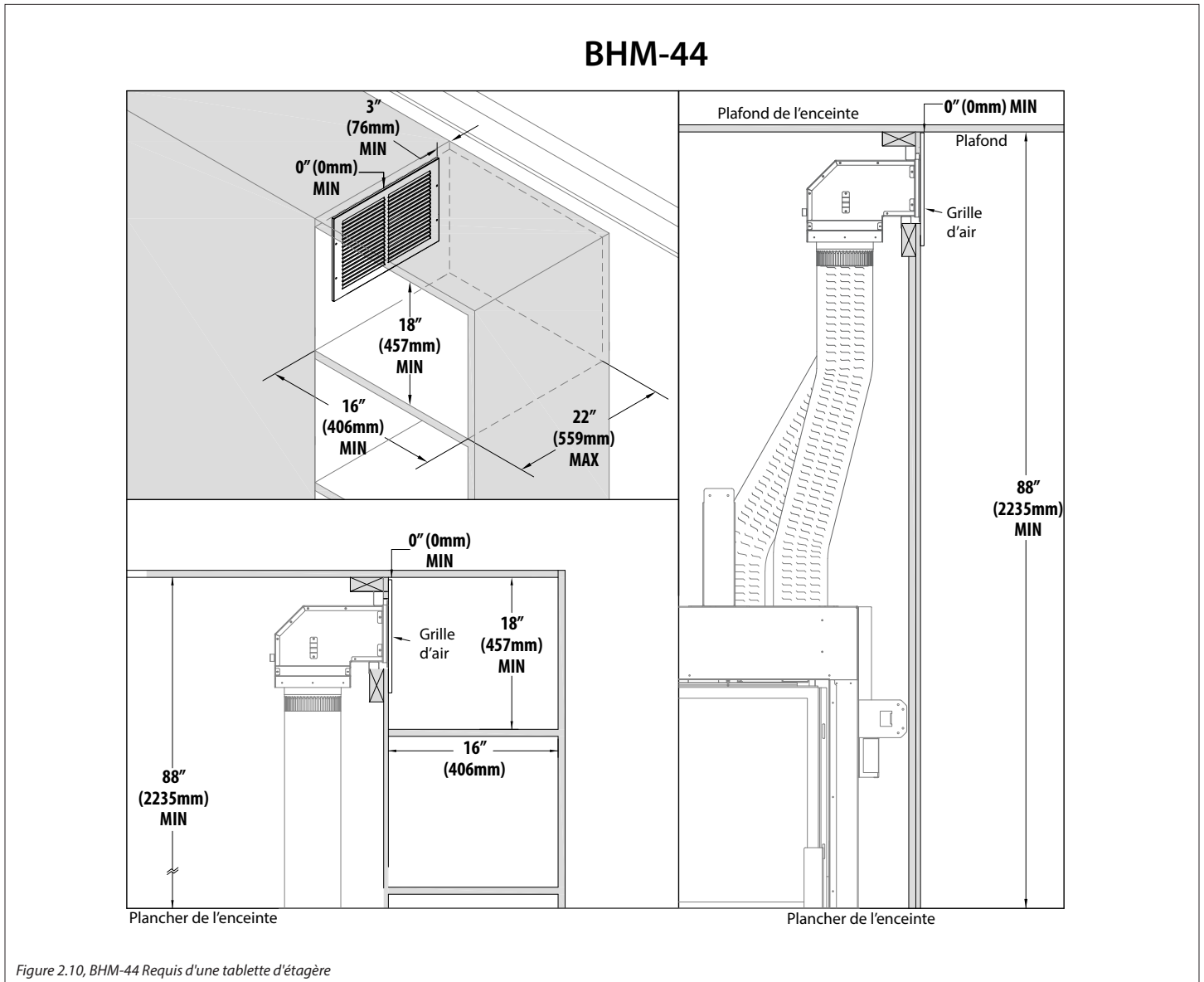
- La Figure 2.9 et 2.10 montre les dimensions requises, lorsque l'ouverture de sortie d'air est adjacente à une étagère murale ou une tablette encastrée.

### 2.3.1 Exigences du CLW-50

*NOTE: Prenez bien en compte la différence de hauteur minimale de la enceinte du foyer par rapport à de hauteur minimale le tablette d'étagère*



### 2.3.2 Exigences du BHM-44



## 2.4 Dégagements aux mur face avant de CLW-ST

La Figure 2.11 ci-dessous montré les exigences de dégagements pour le CLW-ST face l'avant de l'ouverture de sortie d'air KZK-1510A, installée sur le mur face avant.

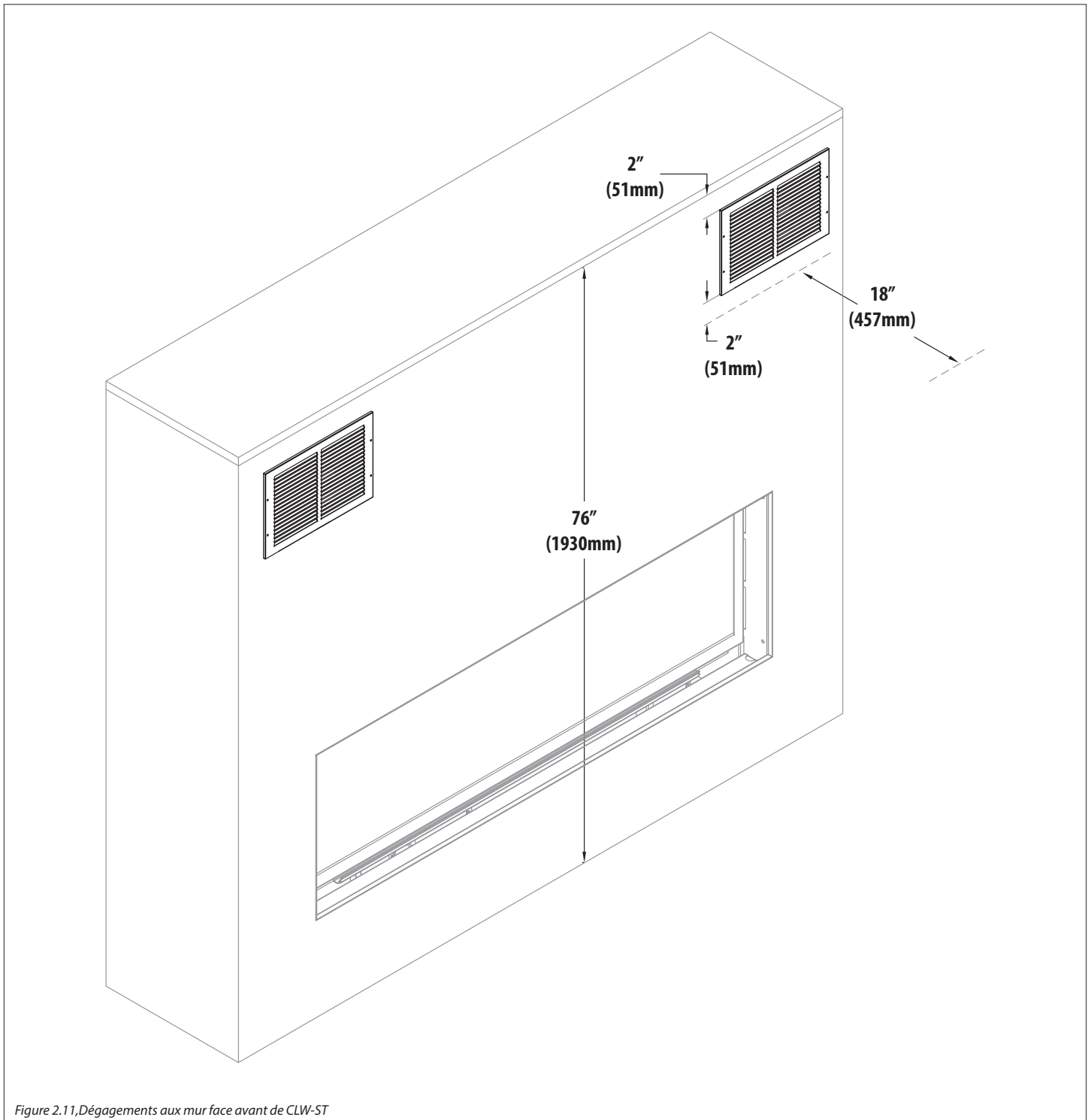
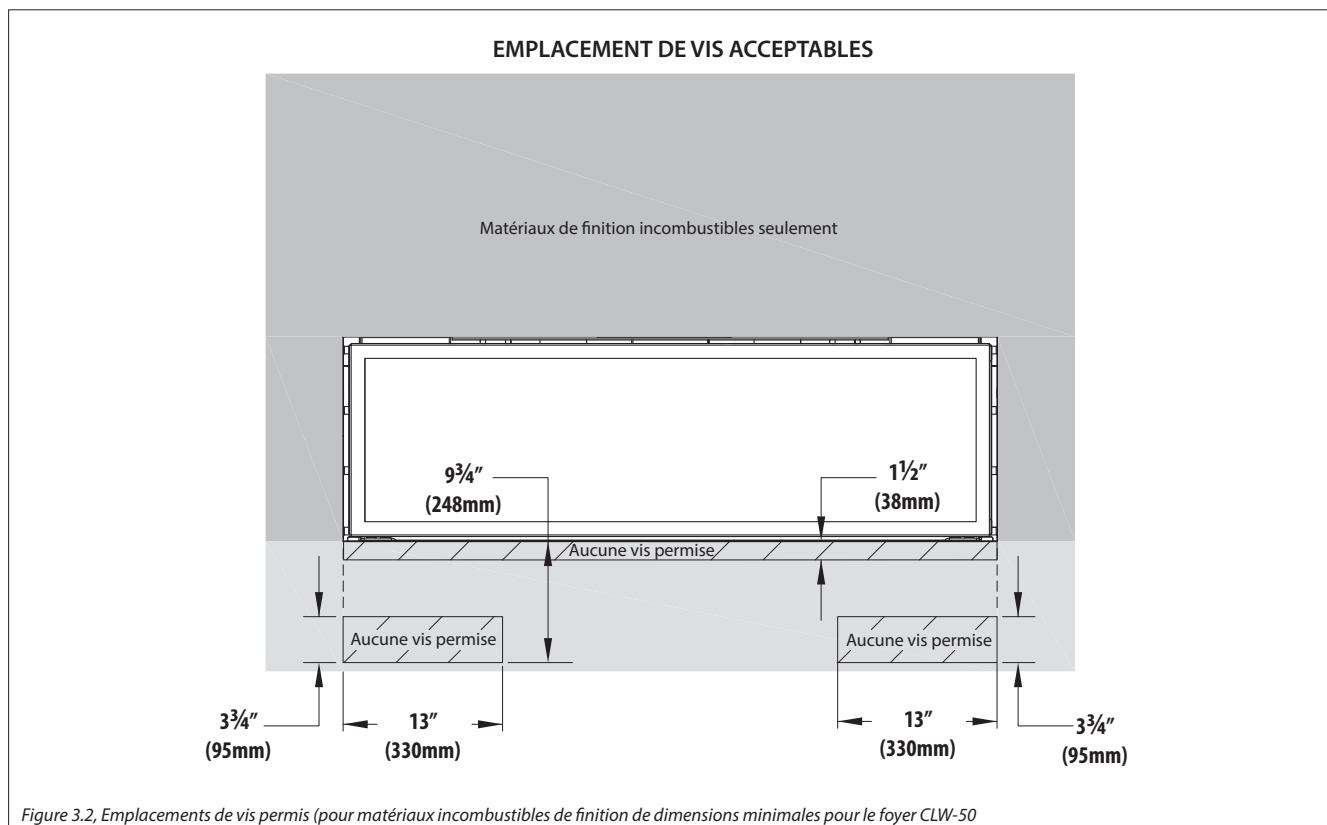
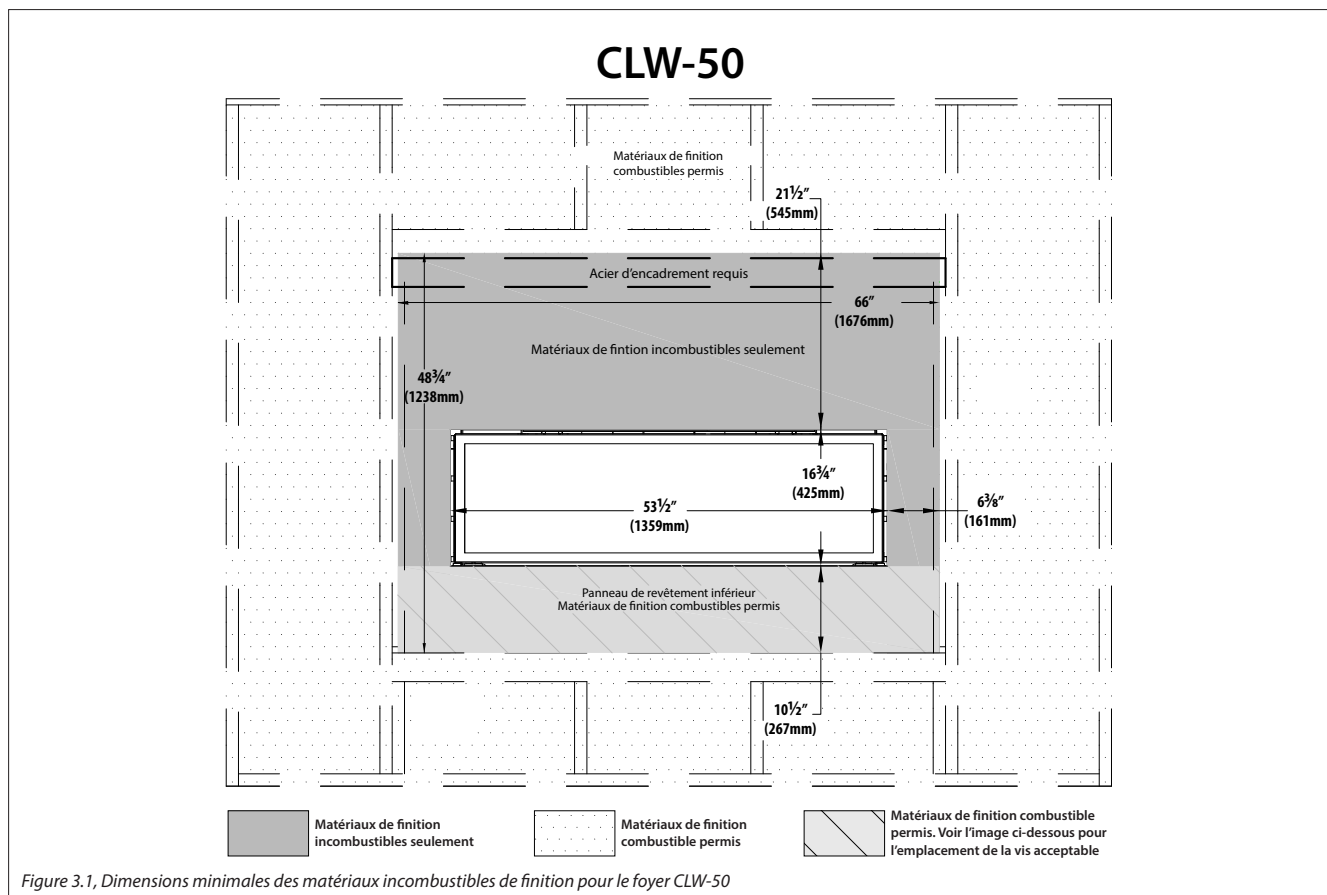


Figure 2.11, Dégagements aux mur face avant de CLW-ST

## 3.0 FAÇADE ET FINITION

### 3.1 Exigences de matériaux incombustibles



## CLW-ST

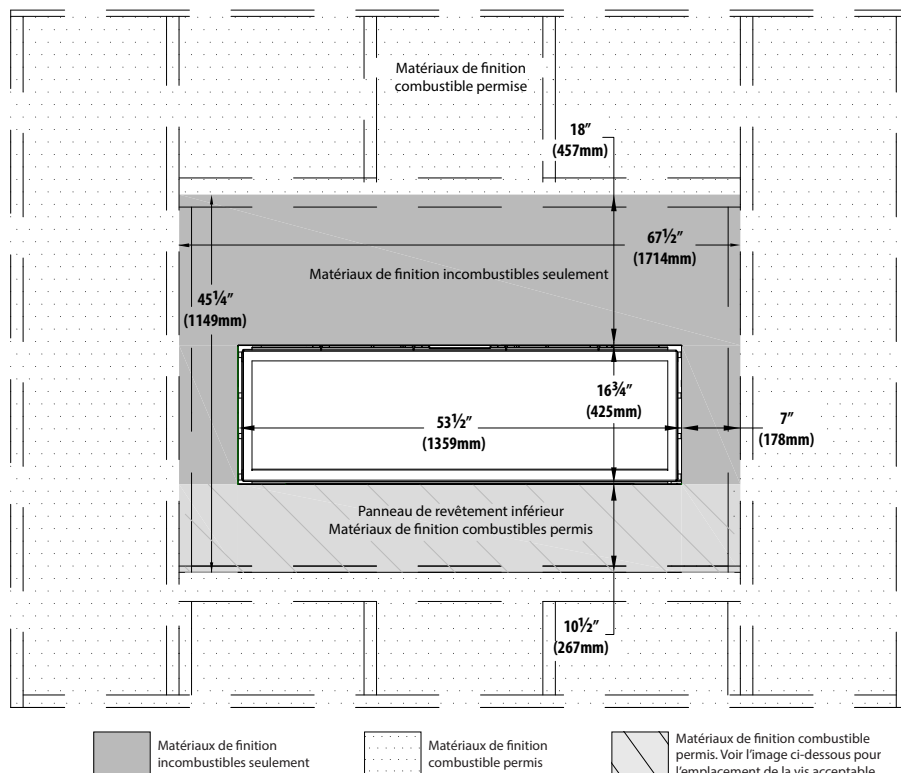


Figure 3.3, Dimensions minimales des matériaux incombustibles de finition pour le foyer CLW-ST

## Emplacement de vis acceptables

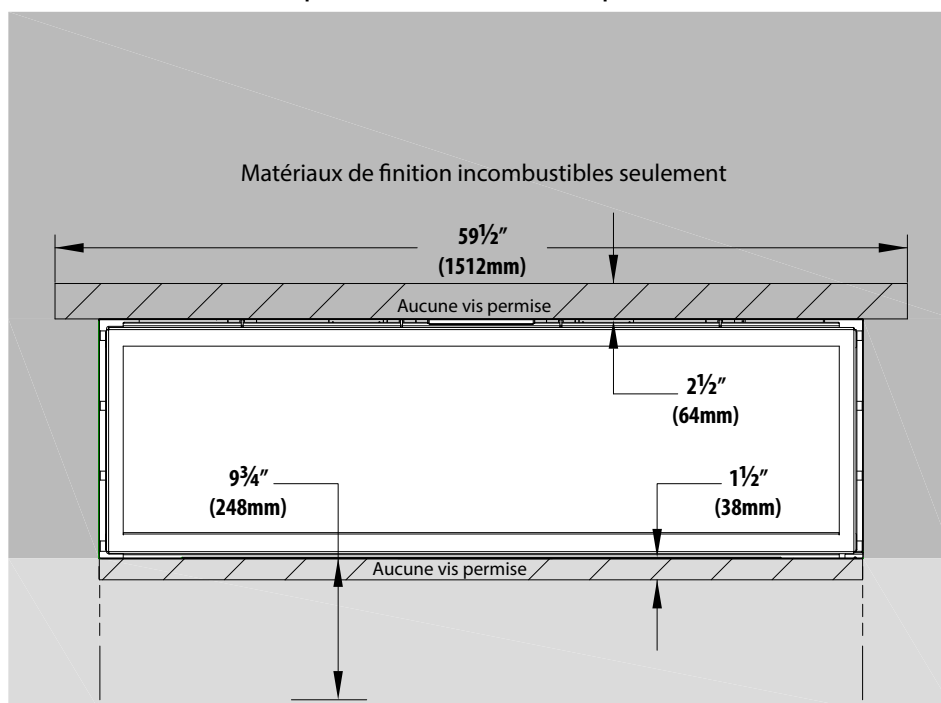


Figure 3.4, Emplacements de vis permis (pour matériaux incombustibles de finition de dimensions minimales pour le foyer CLW-ST)

# BHM-44

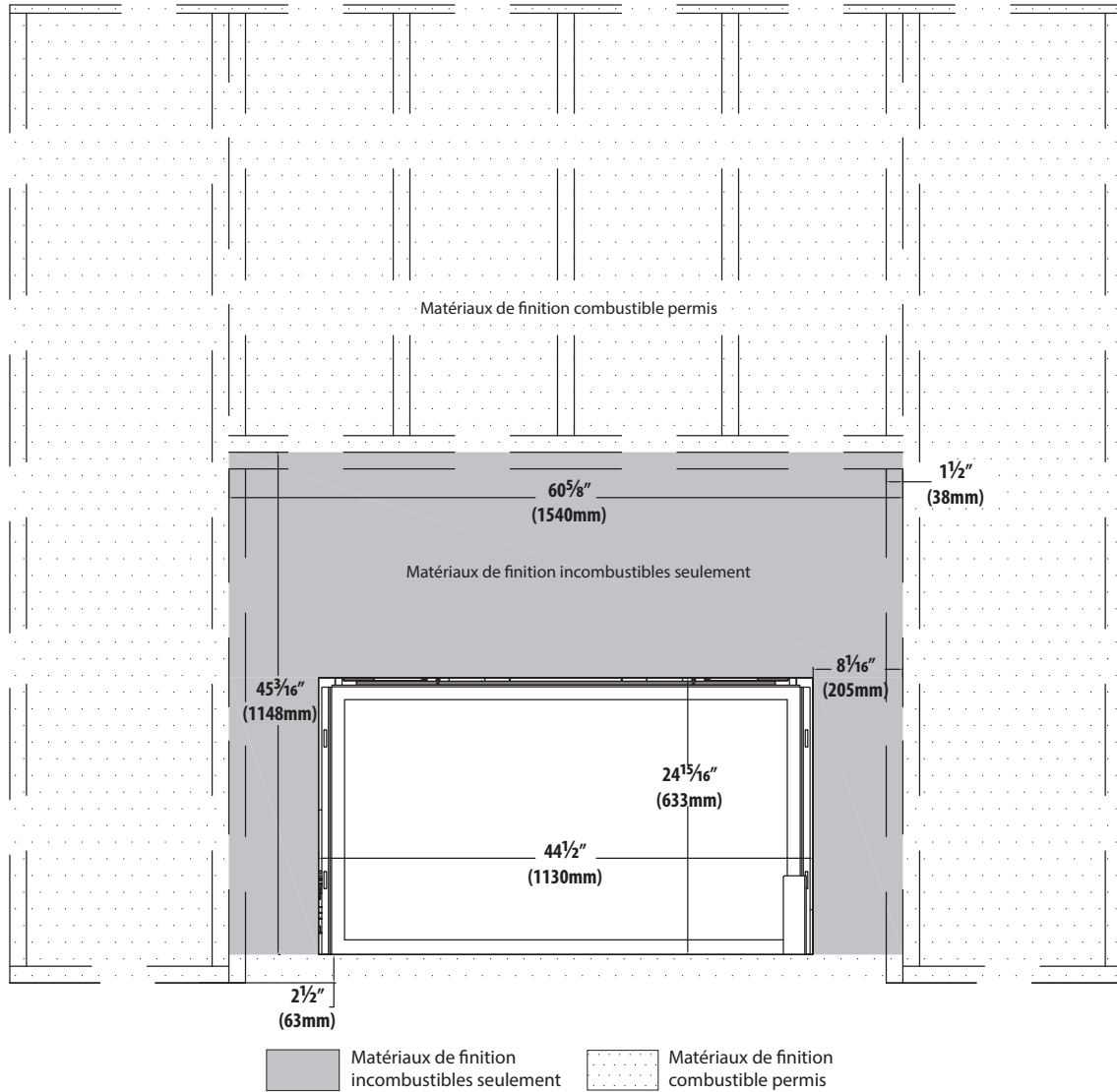


Figure 3.5, Dimensions minimales des matériaux incombustibles de finition pour le foyer BHM-44



## 3.2 Matériaux de finition combustibles

**NOTE:** Si vous désirez installer les matériaux de finition jusqu'aux grilles d'air des matériaux de finition, voir la Figure 3.6 ci-dessous. Les matériaux de finition ne doivent pas boucher l'ouverture de sortie d'air du plénum, et doivent border le pourtour de l'ouverture de sortie uniformément.

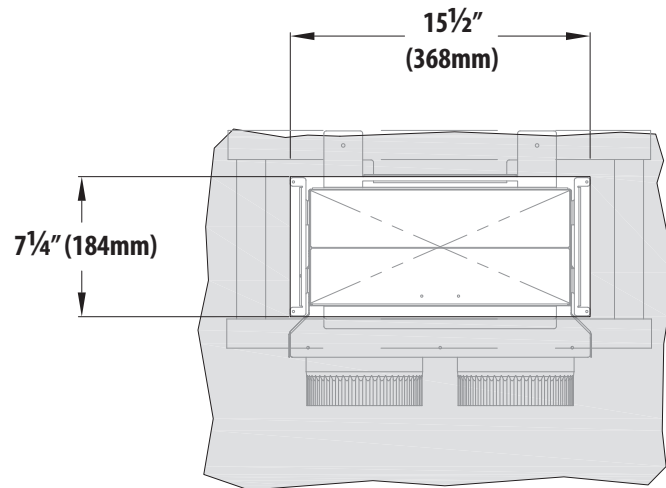
**AVERTISSEMENT! RISQUE DE SURCHAUFFE ET D'INCENDIE!** Assurez-vous d'installer le kit KZK conformément à ce manuel ET de retirer le déflecteur de convection si vous utilisez les dégagements aux matériaux combustibles spécifiés dans ce manuel.

### 3.2.1 Finition de les panneaux muraux combustibles

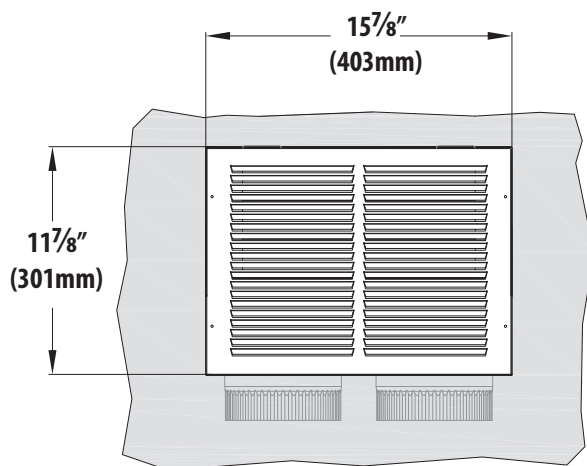
**IMPORTANT :** Additionnel matériaux de finition de 1 po installée sur les matériaux existants n'est pas autorisée à l'intérieur une étagère murale ou une tablette encastrée.

Une épaisseur maximale de 1 po (25mm) de matériaux de finition combustibles peut être installée par dessus le panneau de ciment, tels que montrés à les Figures 3.1 et 3.2 (CLW-50), les Figures 3.3 et 3.4 (CLW-ST) et la Figure 3.5 (BHM-44).

Les panneaux muraux combustibles (ex. sheetrock/gypse) doivent arrêter aux la bord de matériaux de finition, autour de l'ouverture de sortie d'air du KZK. La grille de sortie d'air couvre complètement ces bords.



Les panneaux de finition combustibles (épaisseur max. de 1 po/25 mm) arrivent au bord de la grille de sortie d'air. Ces panneaux ne doivent pas boucher l'ouverture de sortie d'air, et doivent être installés par dessus tout matériau incombustible exigé sur la façade du foyer.



Matériau combustible jusqu'à 1 pouce d'épaisseur

Grille d'évacuation d'air

11 7/8" (301mm)

*Cette installation n'est pas autorisée pour une tablette encastrée*

Figure 3.6, Revêtement en matériau combustible et Matériaux de finition combustibles de 1 po d'épaisseur maximale

### 3.2.2 CLW-50 matériaux de finition murale combustibles

- La Figure 3.7 montre l'installation de matériaux combustibles de finition murale d'une épaisseur maximale de 1 po (25 mm). Ces matériaux combustibles sont installés par dessus tous les matériaux incombustibles exigés, tels que montrés à la Figure 3.1 et la Figure 3.2 (page 17).
- Les matériaux combustibles de 1 po (25 mm) d'épaisseur maximale peuvent être installés jusqu'aux bords de finition du foyer.
- Voir la Figure 3.6 (page 20) pour l'installation des matériaux de finition combustibles de 1 po d'épaisseur maximale autour de l'ouverture de sortie d'air du KZK.

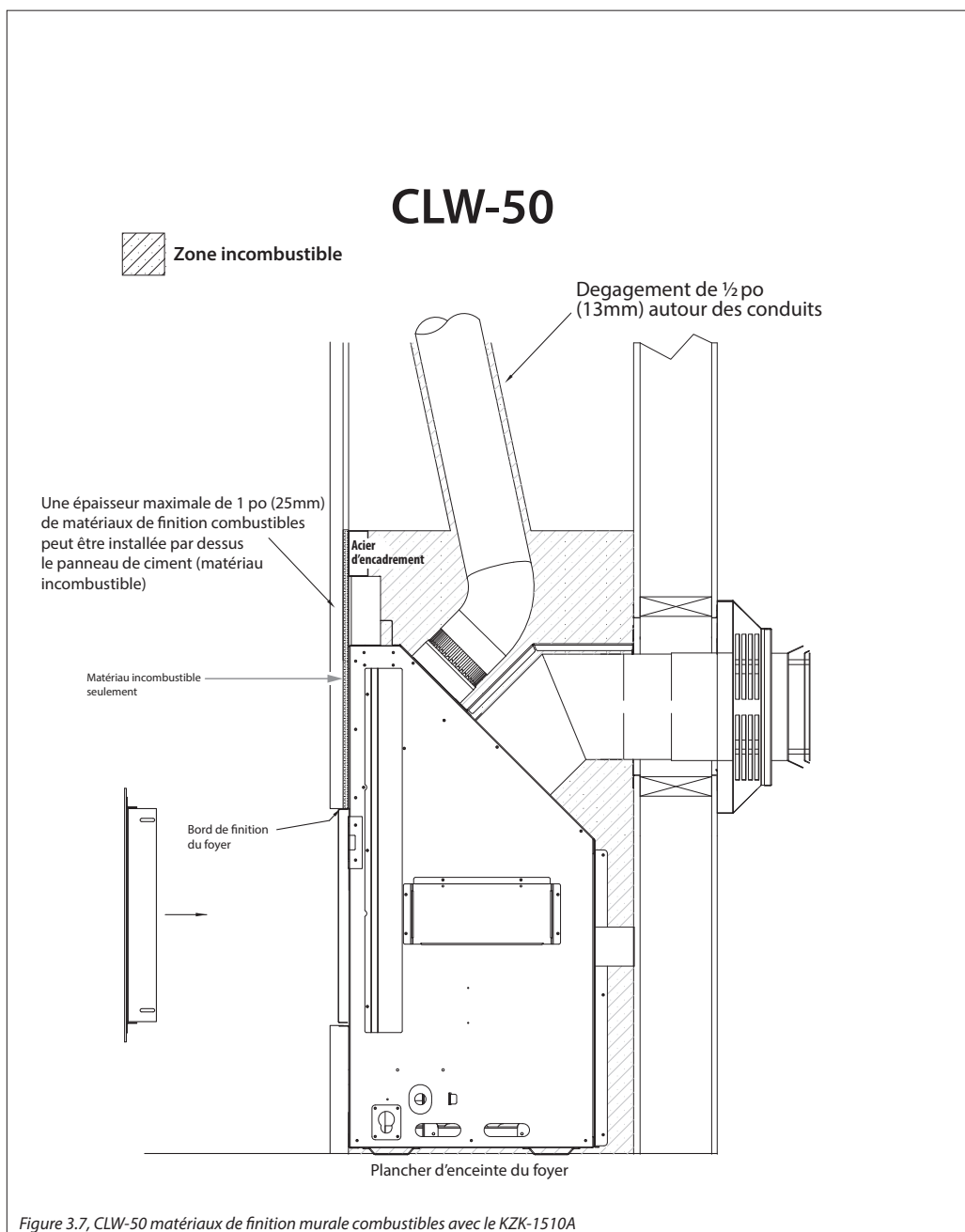
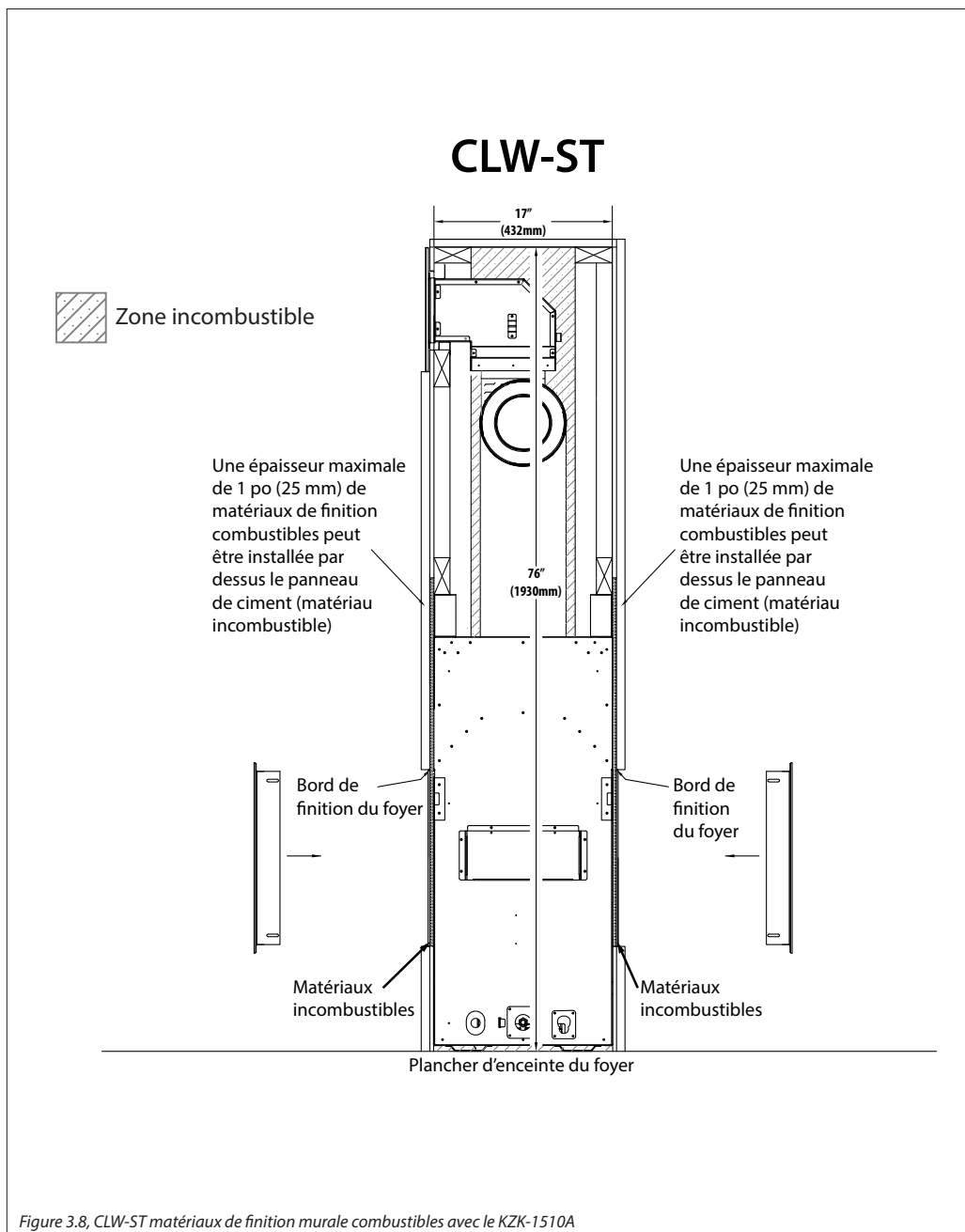


Figure 3.7, CLW-50 matériaux de finition murale combustibles avec le KZK-1510A

### 3.2.3 CLW-ST matériaux de finition murale combustibles

- La Figure 3.8 montre l'installation de matériaux combustibles de finition murale d'une épaisseur maximale de 1 po (25 mm). Ces matériaux combustibles sont installés par dessus tous les matériaux incombustibles exigés, tels que montrés à la Figure 3.3 et la Figure 3.4 (page 18).
- Les matériaux combustibles de 1 po (25 mm) d'épaisseur maximale peuvent être installés jusqu'aux bords de finition du foyer.
- Voir la Figure 3.6 (page 20) pour l'installation des matériaux de finition combustibles de 1 po d'épaisseur maximale autour de l'ouverture de sortie d'air du KZK.



### 3.2.4 BHM-44 matériaux de finition murale combustibles

- La Figure 3.9 montre l'installation de matériaux combustibles de finition murale d'une épaisseur maximale de 1 po (25 mm). Ces matériaux combustibles sont installés par dessus tous les matériaux incombustibles exigés, tels que montrés à la Figure 3.5 (page 19).
- Les matériaux combustibles de 1 po (25 mm) d'épaisseur maximale peuvent être installés jusqu'aux bords de finition du foyer.
- Voir la Figure 3.6 (page 20) pour l'installation des matériaux de finition combustibles de 1 po d'épaisseur maximale autour de l'ouverture de sortie d'air du KZK.

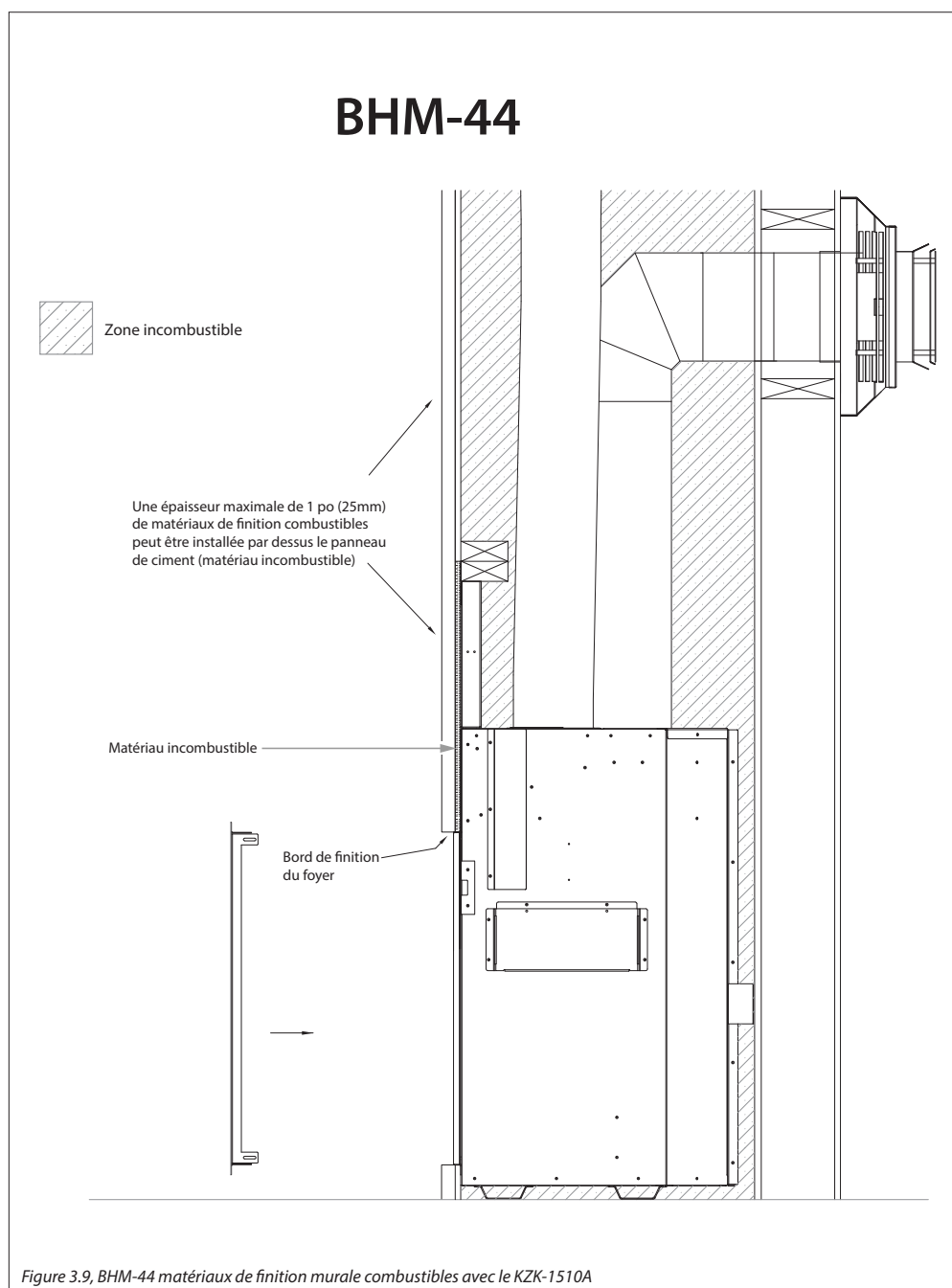


Figure 3.9, BHM-44 matériaux de finition murale combustibles avec le KZK-1510A

### 3.3 Dégagements de l'âtre et du manteau

Les schémas suivants illustrent les dégagements de l'âtre et du manteau permis pour le CLW-50, CLW-ST et BHM-44, sans qu'aucun contour (ou option de contour) n'ait été installé. Suivez les indications de ces schémas pour les dégagements minimums requis de l'âtre et du manteau, en prévoyant les dégagements suffisants pour l'entretien.

#### 3.3.1 Directives de finition pour les contours

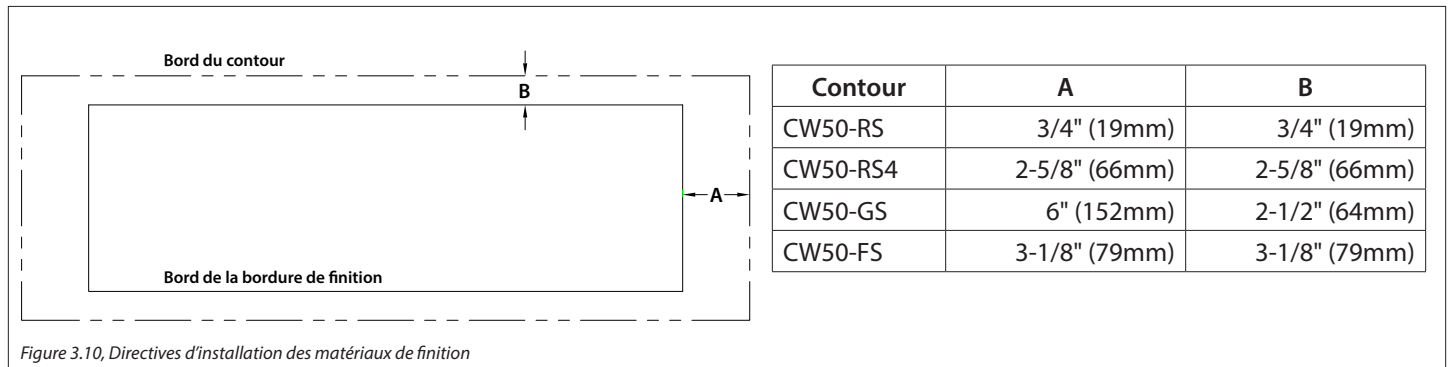


Figure 3.10, Directives d'installation des matériaux de finition

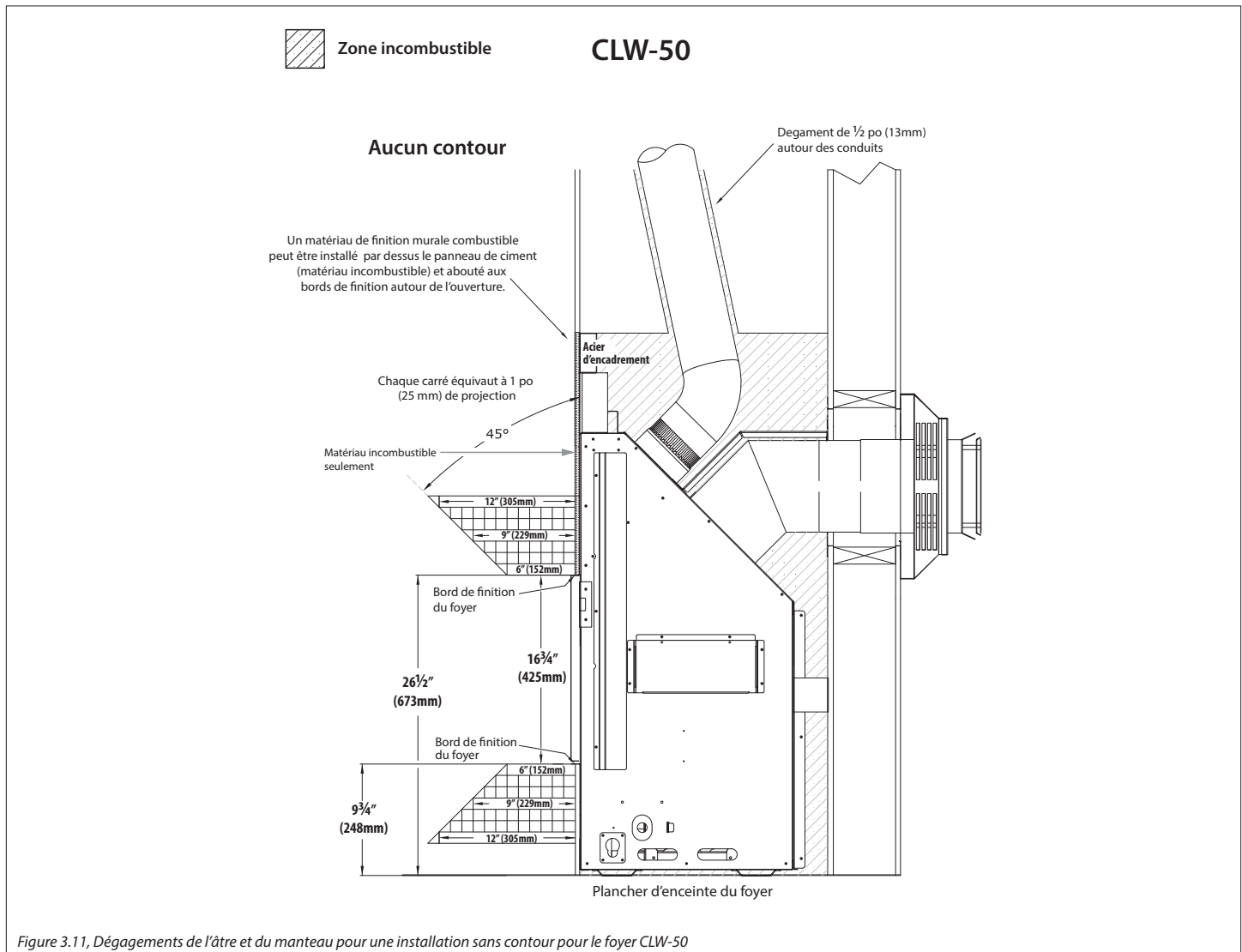



Figure 3.11, Dégagements de l'âtre et du manteau pour une installation sans contour pour le foyer CLW-50

- optionnels pour les foyers CLW-50 et CLW-ST
- La Figure 3.10 montre les limites des matériaux de finition, mesurées à partir du bord de finition, pour permettre d'installer l'un des contours optionnels. La plupart des matériaux de ne pourront pas s'installer en dessous du contour optionnel, une fois installé.
- La mesure 'A' montre l'espace à laisser de chaque côté.
- La mesure 'B' montre l'espace à laisser au haut et au bas.

# CLW-ST

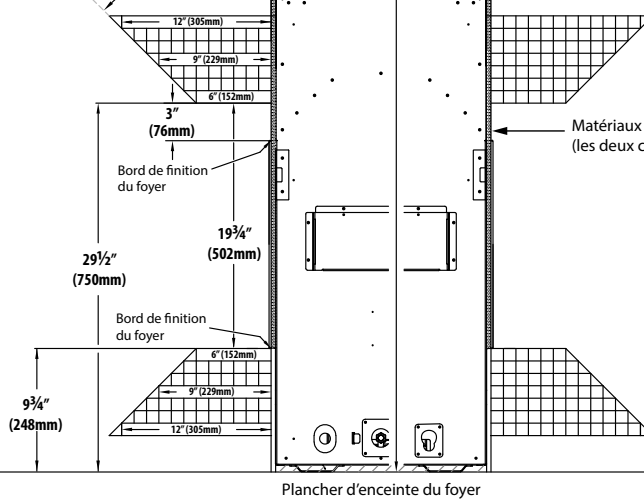
## Aucun contour

 Zone incombustible

Un matériau de finition murale combustible peut être installé par dessus le panneau de ciment (matériau incombustible) et abouté aux bords de finition autour de ouverture

Chaque carré équivaut à 1 po (25 mm) de projection

45°

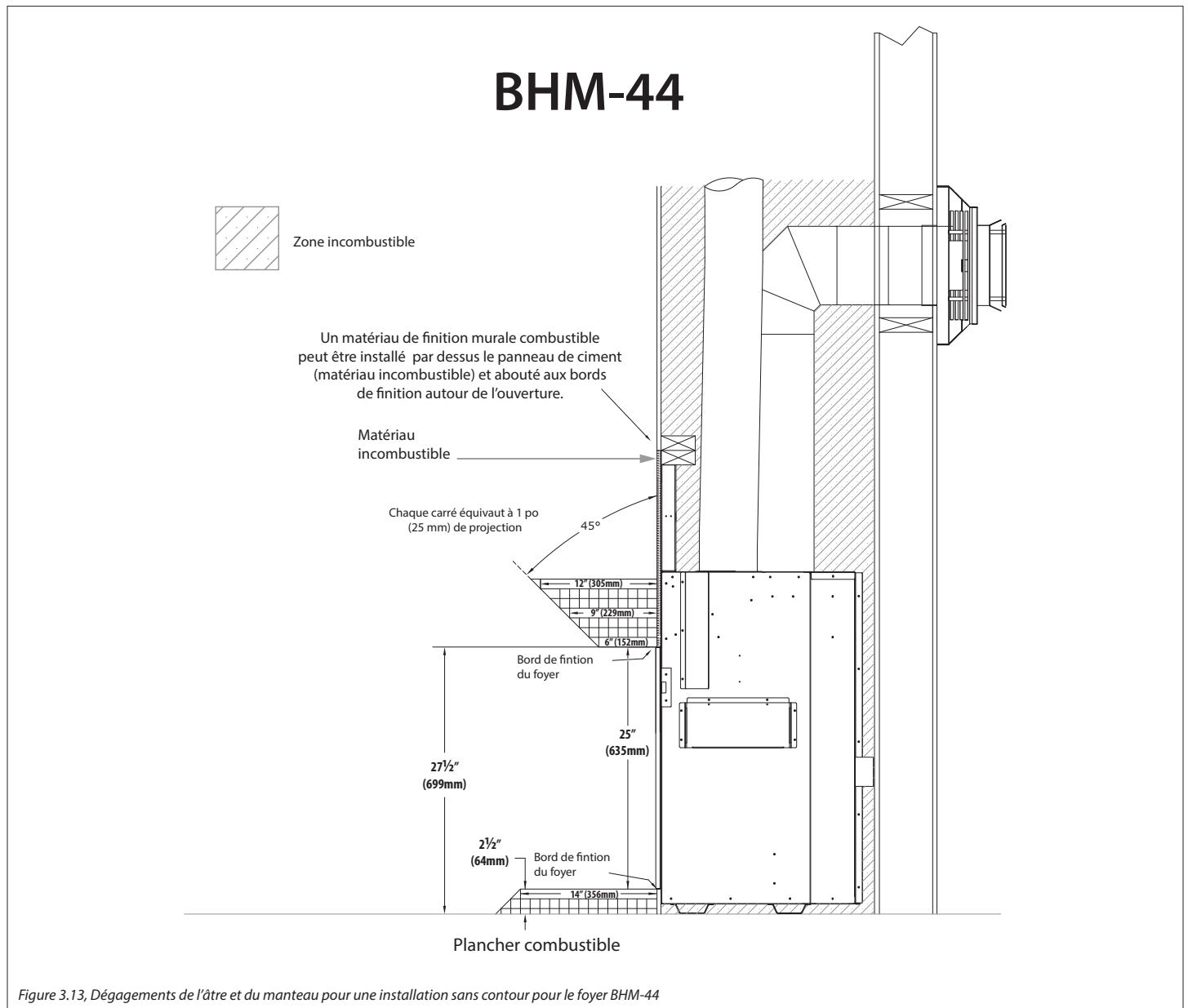


Matériaux incombustibles (les deux côtés du foyer)

Plancher d'enceinte du foyer

Figure 3.12, Dégagements de l'âtre et du manteau pour une installation sans contour pour le foyer CLW-ST

### 3.3.2 BHM-44 dégagements de l'âtre et du manteau



## 4.0 INSTALLATION

**Toutes les composants de ce kit est requis et doit être installé.**

Le kit Kozy Zone exige de retirer le déflecteur de convection, situé au haut de la chambre de combustion (à l'intérieur du foyer), pour permettre au débit d'air chaud de monter par convection dans les conduits d'air raccordés au foyer.

Retirez du foyer le déflecteur de convection.

**CLW-50 :** Le déflecteur est fixé par (2) vis, juste derrière le bord supérieur de l'ouverture du foyer (voir Figure 4.3).

**CLW-ST :** Retirez du foyer les (6) déflecteurs de convection. Ces déflecteurs sont fixés chacun par (2) vis, derrière le bord supérieur des deux ouvertures du foyer (voir Figure 4.4).

**BHM-44 :** Le déflecteur est fixé par le clip de déflecteur par (2) vis situé au centre avant, et par (2) vis juste derrière le bord supérieur de l'ouverture du foyer (voir Figure 4.5)

Recyclez ce panneau si vous n'en avez plus besoin.

**Suite des instructions à la page suivante.**

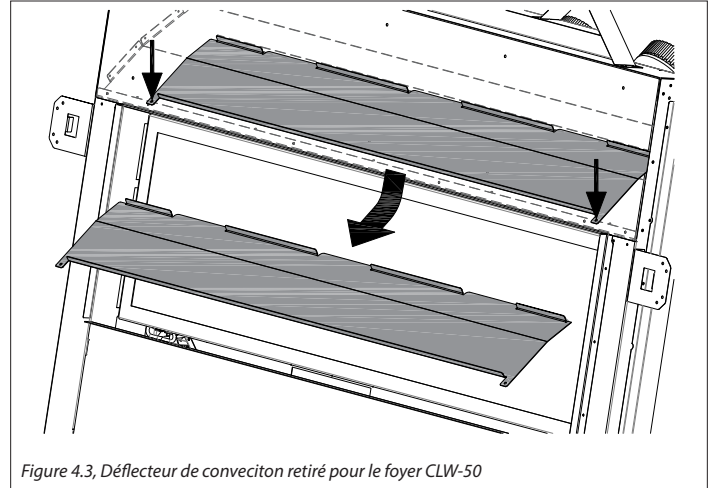


Figure 4.3, Déflecteur de convection retiré pour le foyer CLW-50

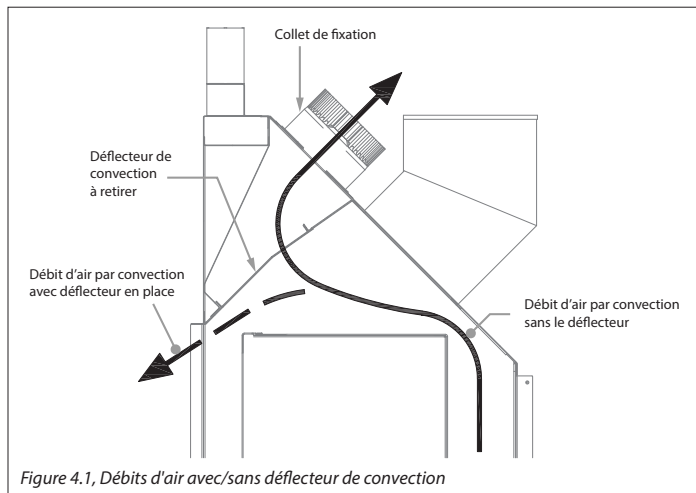


Figure 4.1, Débits d'air avec/sans déflecteur de convection

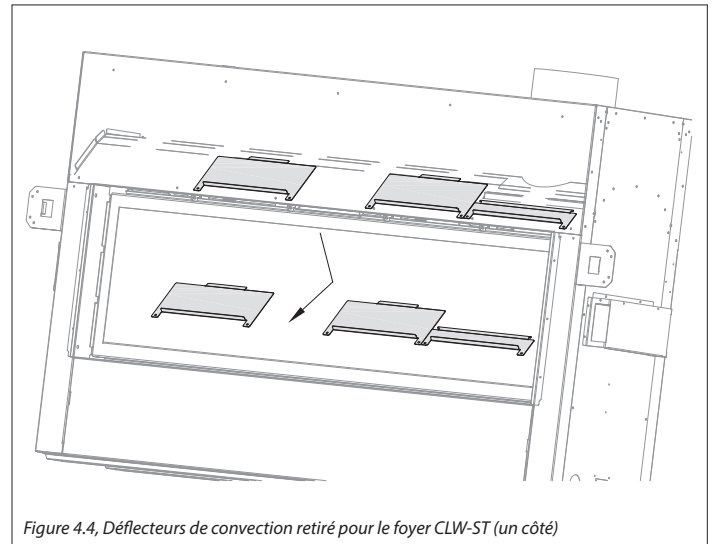


Figure 4.4, Déflecteurs de convection retiré pour le foyer CLW-ST (un côté)

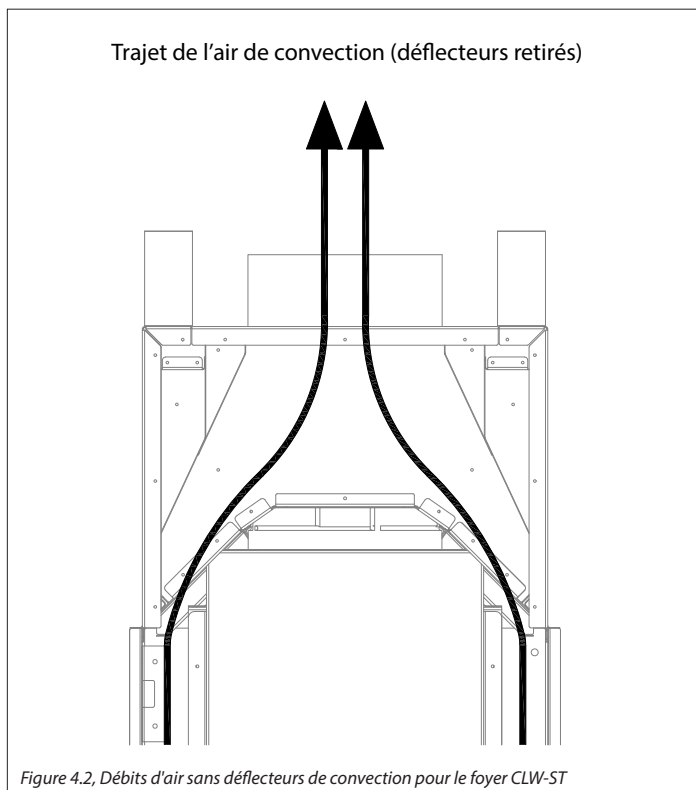


Figure 4.2, Débits d'air sans déflecteurs de convection pour le foyer CLW-ST

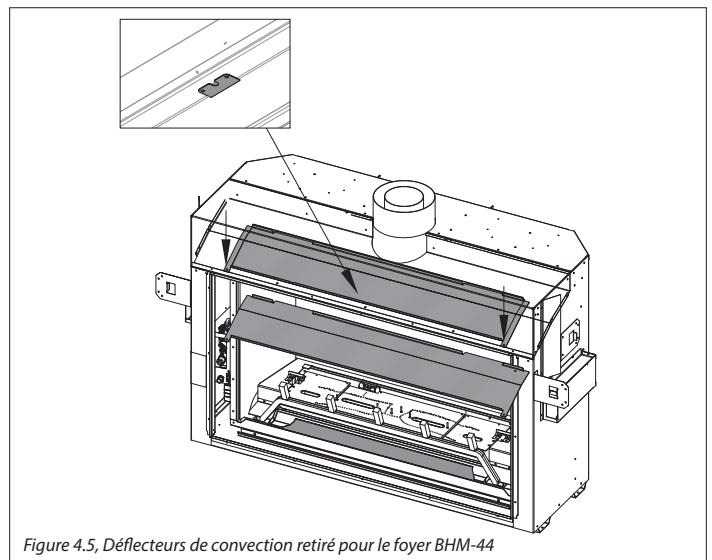


Figure 4.5, Déflecteurs de convection retiré pour le foyer BHM-44



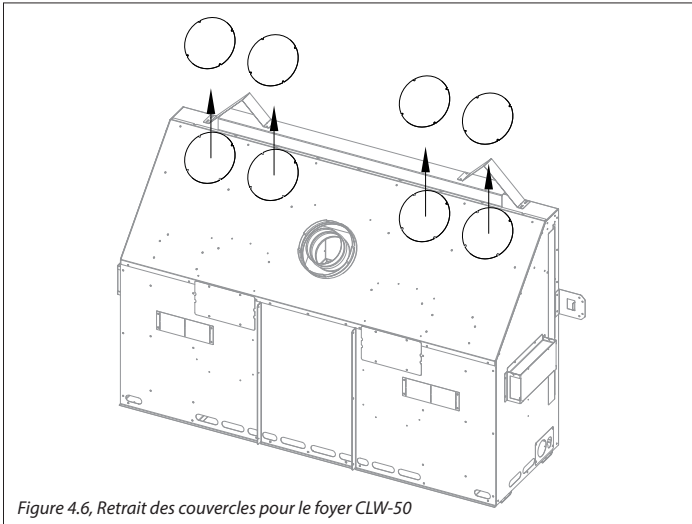


Figure 4.6, Retrait des couvercles pour le foyer CLW-50

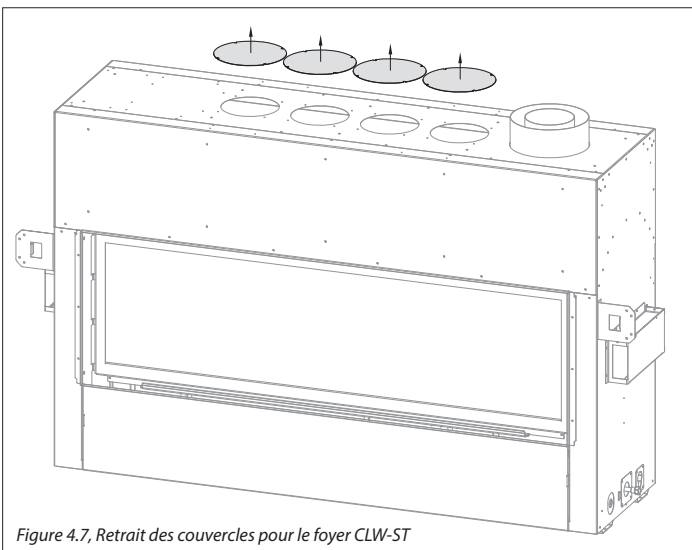


Figure 4.7, Retrait des couvercles pour le foyer CLW-ST

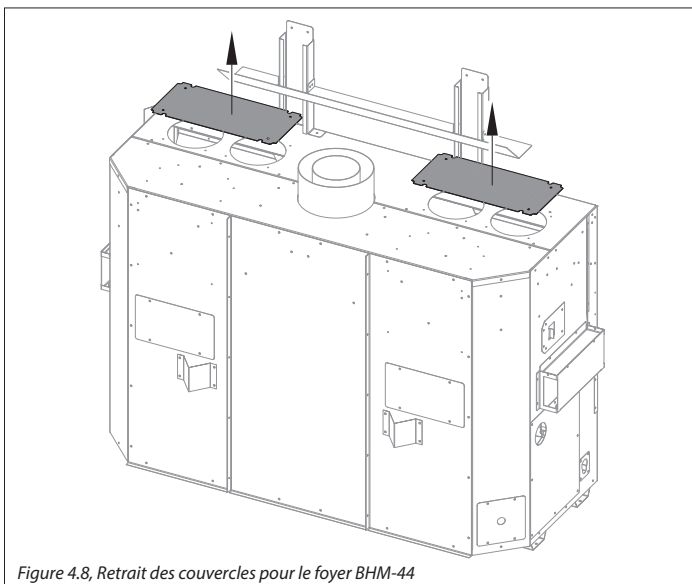


Figure 4.8, Retrait des couvercles pour le foyer BHM-44

1. **CLW-50** : Retirez les 4 couvercles situés sur le dessus incliné du foyer (4 vis par couvercle).  
**CLW-ST** : Retirez les 4 couvercles situés sur le dessus incliné du foyer (4 vis par couvercle).  
**BHM-44** : Retirez les 2 couvercles situés sur le dessus incliné du foyer (4 vis par couvercle).
2. Alignez les collets de fixation aux trous correspondants au haut du foyer. Fixez en place avec les vis retirées précédemment. Installez les collets de fixation aux ouvertures correspondantes du (ou des) plénum(s). Utilisez les vis fournies.
3. Encadrez une ouverture brute à l'emplacement désiré. Voir les pages précédentes de ce manuel pour les positions de plénum permises et les dimensions d'encadrement de l'ouverture brute.
4. Installez le(s) plénum(s) dans l'ouverture brute encadrée, tout en maintenant les dégagements minimums aux matériaux combustibles, tels que spécifiés aux pages précédentes. Fixez le plénum à l'encadrement, avec des vis (ou clous) traversant la bride de fixation supérieure.
5. Utilisez des bandes d'attache métalliques de type AllRound(R) (non fournies) comme support additionnel pour fixer solidement le plénum à l'encadrement.
6. Raccordez les conduits, partant des (4) collets de fixation du plénum jusqu'aux (4) collets de fixation du foyer. Si vous installez le plénum à moins de 10 pieds (3 m) au-dessus du foyer, utilisez un (1) kit n° KZK-410-6 ou des conduits homologués UL-181 (Conduits d'air, Classe 0). Si vous installez le plénum à plus de 10 pieds (3 m) et moins de 20 pieds (6 m) au-dessus du foyer, vous aurez besoin de deux (2) kits n° KZK-410-6 et du kit de coupleurs n° KZK-CPL6 ou de conduits homologués UL-181 (Conduits d'air, Classe 0).
7. Une pente vers le haut doit être maintenue dans les sections de conduit horizontales pour favoriser une bonne convection de l'air chaud. Supportez les sections de conduit horizontales à tous les 24 pouces (60 cm).
8. Installez les grilles d'air (fournies) 4 vis au total.
9. Si désiré, les grilles d'air peut être peinte en utilisant en faisant sécher la peinture à 250°F.
10. Continuez l'installation du foyer.

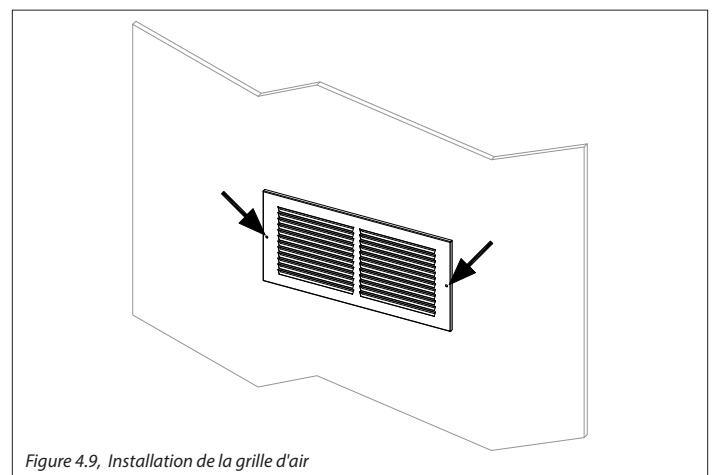


Figure 4.9, Installation de la grille d'air