

# Callaway See-Through Direct Vent Fireplace



Please leave these reference guides at the install. on loca. on until the installation is finished. See owners manual for full installation and finishing instructions before making final decisions as information is subject to change.

Specifications (all measurements are in inches) unless specified

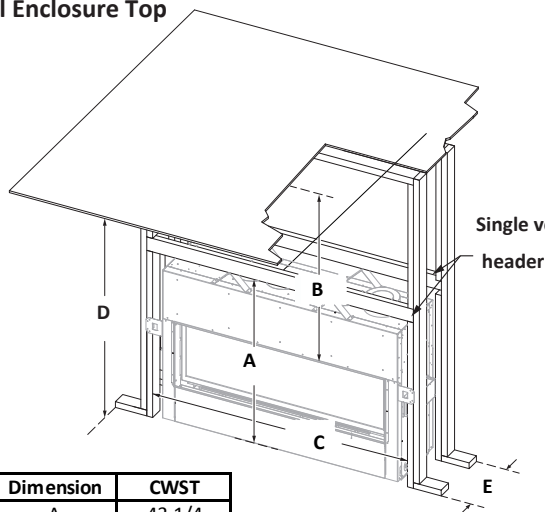
• GAS LINE OPENING & ELECTRICAL ACCESS: RIGHT SIDE

Model	BTU	Height		Front Width		Back Width		Depth		Glass Viewing
		Actual	Framing	Actual	Framing	Actual	Framing	Actual	Framing	
CLW-ST	35,500	40-3/4	43-1/4	59-1/2	64-1/2	64-1/2	64-1/2	17	17	53-1/2 x 16-3/4

**\*\*Framing will change with the CWST-ODK - when installing a CWST-ODK please see Outdoor Kit Manual\*\***

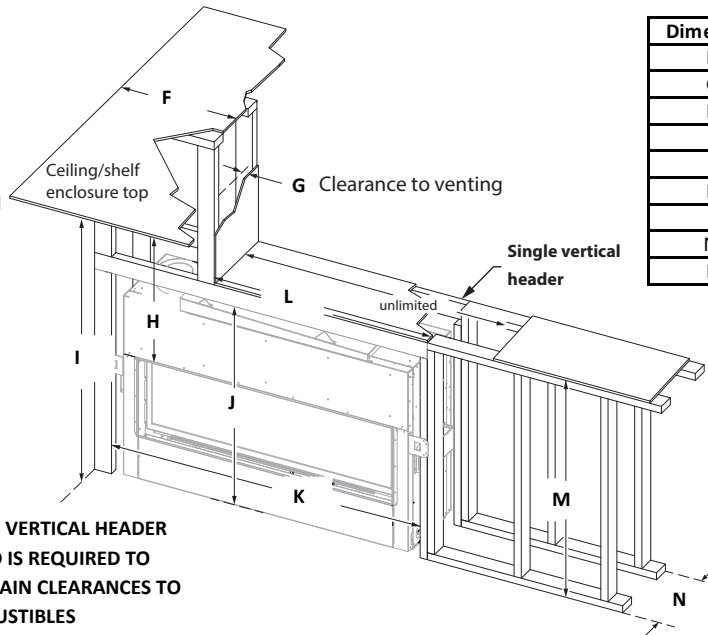
## Framing Opening

### Full Enclosure Top



Dimension	CWST
A	43-1/4
B	49-1/2
C	64-1/2
D	76
E	17

### Shelf enclosure framing



Dimension	CWST
F	19-1/2
G	1
H	49-1/2
I	76
J	43-1/4
K	64-1/2
L	51-1/2
M	46-3/4
N	17

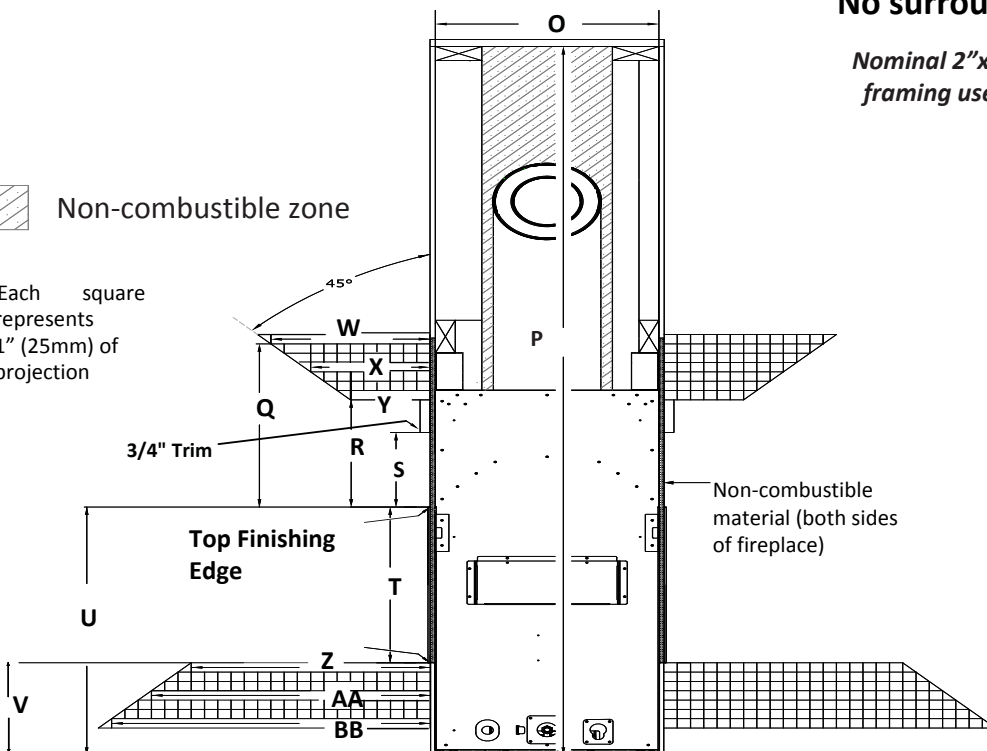
SINGLE VERTICAL HEADER BOARD IS REQUIRED TO MAINTAIN CLEARANCES TO COMBUSTIBLES

## No surround

Nominal 2"x 4" framing used

Non-combustible zone

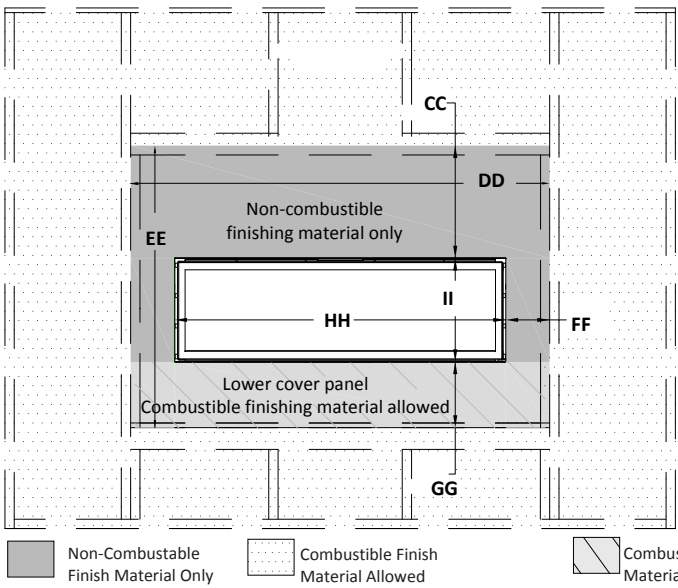
Each square represents 1" (25mm) of projection



Fireplace Enclosure Floor

Dimension	CWST
O	17
P	76
Q	17-1/2
R	11-1/2
S	8
T	16-3/4
U	26-1/2
V	9-3/4
W	12
X	9
Y	6
Z	18
AA	21
BB	24

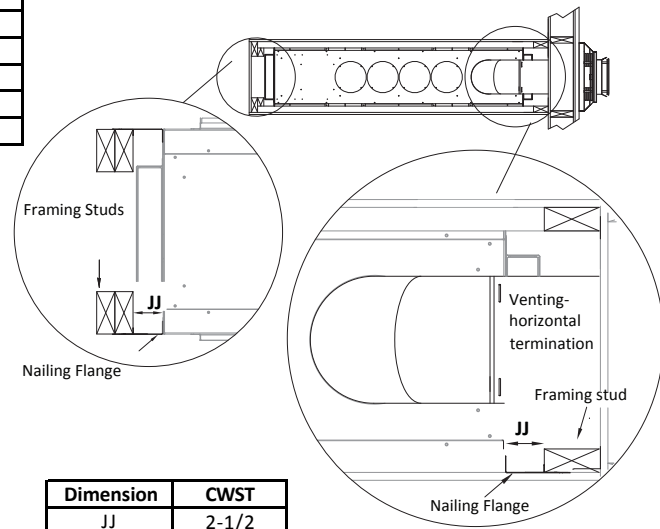
# All Design Options Installation



Dimension	CWST
CC	18
DD	67-1/2
EE	45-1/4
FF	7
GG	10-1/2
HH	53-1/2
II	16-3/4

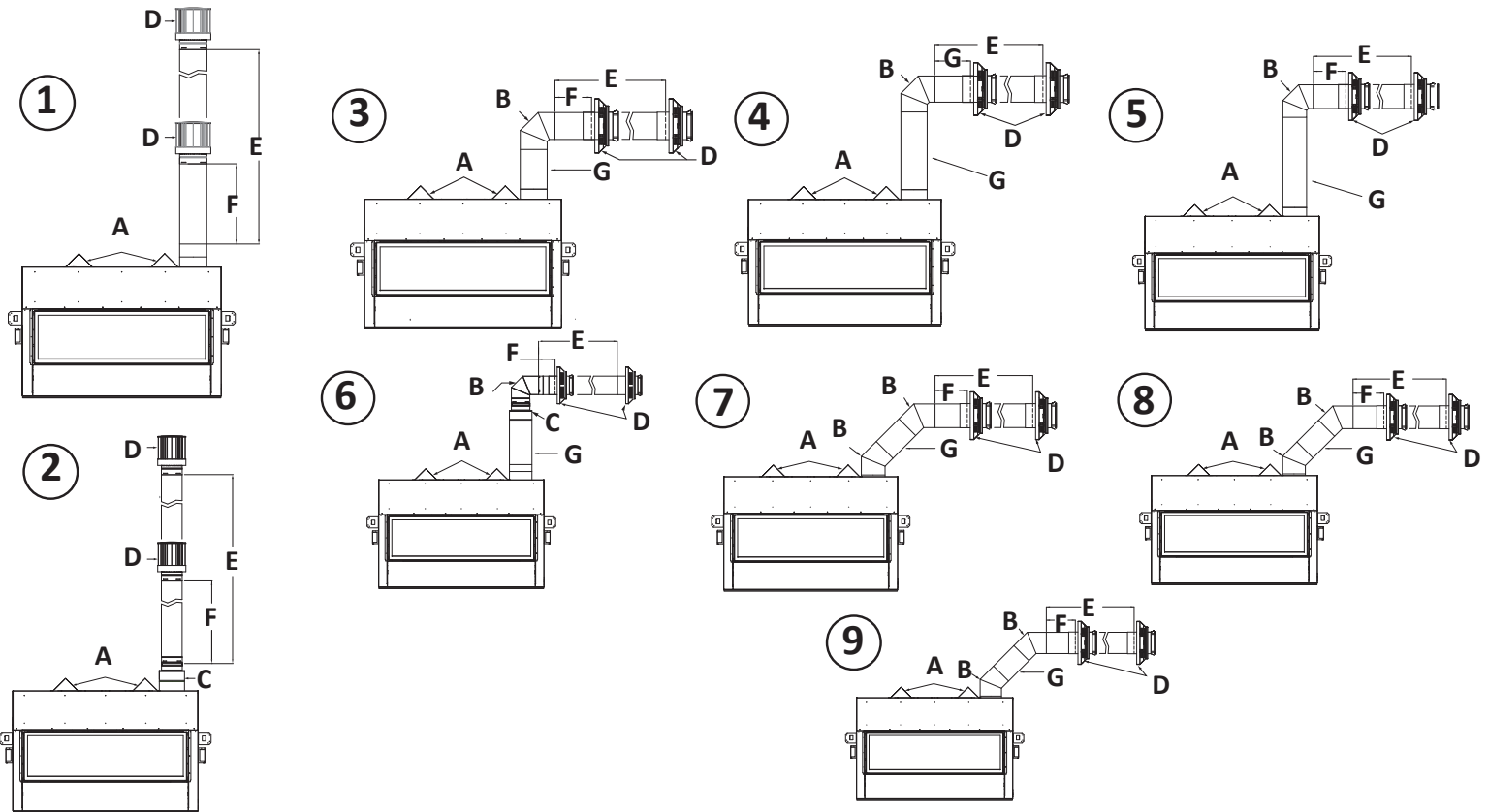
## HORIZONTAL TERMINATION Top View

Framing Studs must be installed as shown to maintain required clearance



Dimension	CWST
JJ	2-1/2

## Horizontal Venting *Minimum* Requirements NATURAL GAS & PROPANE COMBINATION VENTING



CWST	Venting	A	B	C	D	E	F	G
1	Natural Draft Vertical Terminations	Stand-Off			TermCap	50'	3'	
2	Natural Draft Vertical Terminations with Reducer	Stand-Off		Reducer	TermCap	50'	3'	
3	Vertical Min/MaxHorizontal Termination	Stand-Off	90° Elbow		TermCap	60"	6"	12" Vent Pipe
4	Min/MaxHorizontal Termination	Stand-Off	90° Elbow		TermCap	12'	6"	24" Vent Pipe
5	Min/MaxHorizontal Term	Stand-Off	90° Elbow		TermCap	20'	6"	36" Vent Pipe
6	Basement Install Min Vertical, Min/Max Horizontal	Stand-Off	90° Elbow	Reducer	TermCap	48"	6"	24" Vent Pipe
7	Vent45°ElbowMin/MaxHorizontal	Stand-Off	45° Elbow		TermCap	8'	6"	12" Vent Pipe
8	Vent45°ElbowMin/MaxHorizontal	Stand-Off	45° Elbow		TermCap	16'	6"	24" Vent Pipe
9	Vent45°ElbowMin/MaxHorizontal	Stand-Off	45° Elbow		TermCap	25'	6"	36" Vent Pipe