

GAS STONES NATURAL VENT BURNER



EuropeanHome

Manufacturer and Importer of high-end Gas, Wood and Electric Fireplaces



SPECIFICATIONS

GAS TYPE	Natural Gas or Propane
HEAT OUTPUT (NATURAL GAS)	27,000 - 42,000 BTU/hr
HEAT OUTPUT (LIQUID PROPANE)	27,000 - 43,500 BTU/hr
VENTING	Existing Chimney
UNIT SIZE	24" Model - 24" W x 12" D x 6 1/16" H 30" Model - 30" W x 12" D x 6 1/16" H
FLAME ADJUSTMENT	Yes
INTERIOR	Stainless Steel
REMOTE CONTROL	Yes
ELECTRIC IGNITION	Yes
CERTIFICATION	ANSI Z21.60b CSA 2.26b CGA 2.17-M911
MASS APPROVAL CODE	G1-1020-113
EFFICIENCY	32% Natural Gas 39% Liquid Propane

PRODUCT OPTIONS & ACCESSORIES

FIREPLACE MODEL

PRODUCT	ITEM CODE
Gas Stones NV - Natural Gas	GSBM-NG
Gas Stones NV - Liquid Propane	GSBM-LP

24 VOLT BURNER

Burner required for power vent. This burner does not have flame adjustment. (High setting only.)

PRODUCT	ITEM CODE
Gas Stones NV - Natural Gas	24 VBM-NG
Gas Stones NV - Liquid Propane	24 VBM-LP

BURNER COVER

PRODUCT	ITEM CODE
24" Wide - Black	FB-BLK-01
24" Wide - White	FB-WHT-01
30" Wide - Black	FB-BLK-01-30
30" Wide - White	FB-WHT-30

FIRE MEDIA



BEACH STONES



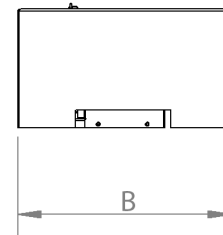
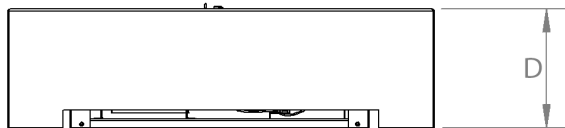
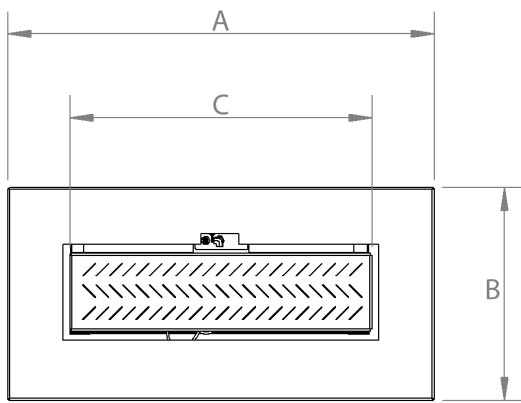
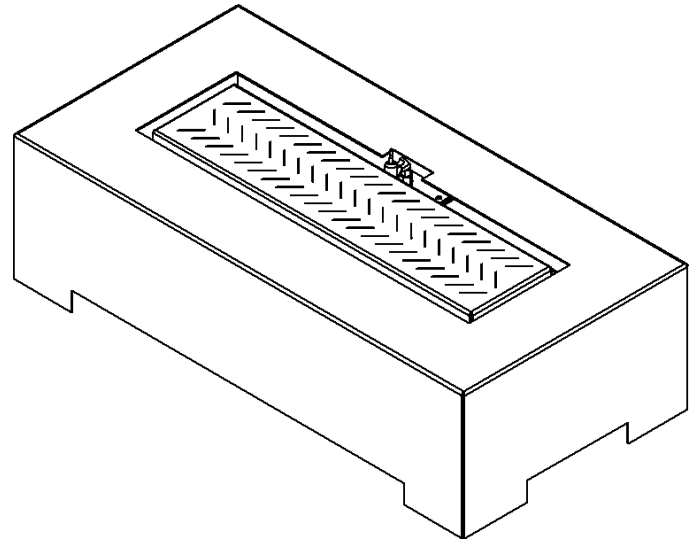
BEACH STONES
WITH DRIFTWOOD



DOVER STONES

PRODUCT	ITEM CODE
BEACH STONES	GS-BS
BEACH STONES WITH DRIFTWOOD	GS-DWBS
DOVER STONES	GS-DS

CUT SHEET



LETTERS	A	B	C	D
GAS STONES 24"	24" [610]	12" [305]	17" [432]	$6\frac{11}{16}$ " [170]
GAS STONES 30"	30" [762]	12" [305]	17" [432]	$6\frac{11}{16}$ " [170]