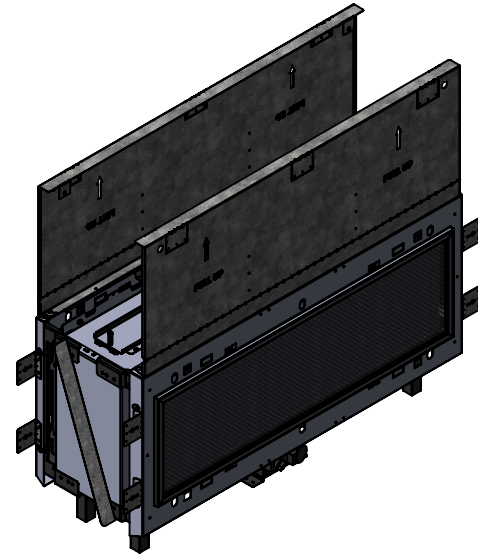
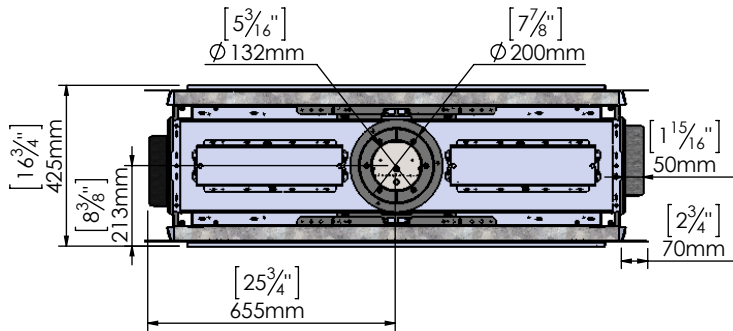
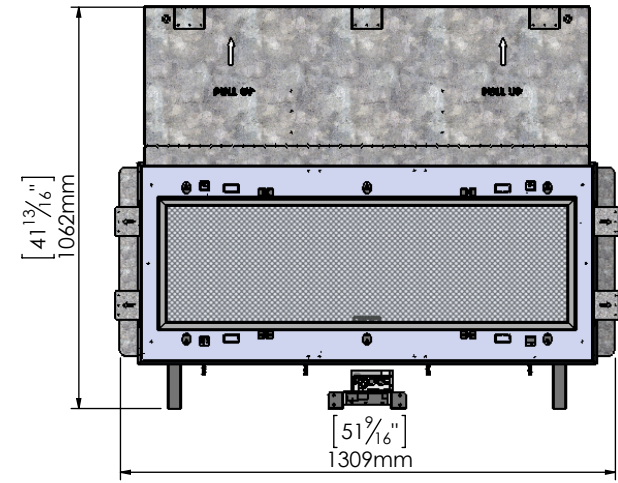
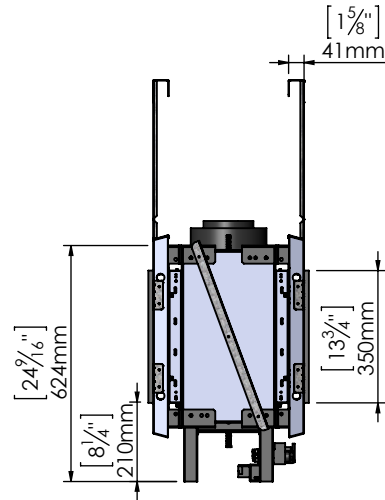
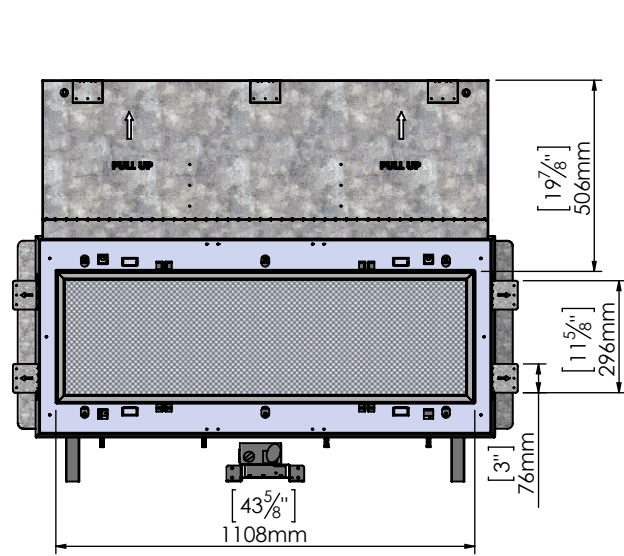


Closed view



Open view

**Manufacturer Update – Zero Clearance Installation Unit**  
Manufacturer Effective Date: March 5<sup>th</sup> 2018  
Serial Number Forward : #15150



**Manufacturer Update – Zero Clearance Installation Unit**  
 Manufacturer Effective Date: March 5<sup>th</sup> 2018  
 Serial Number Forward : #15150