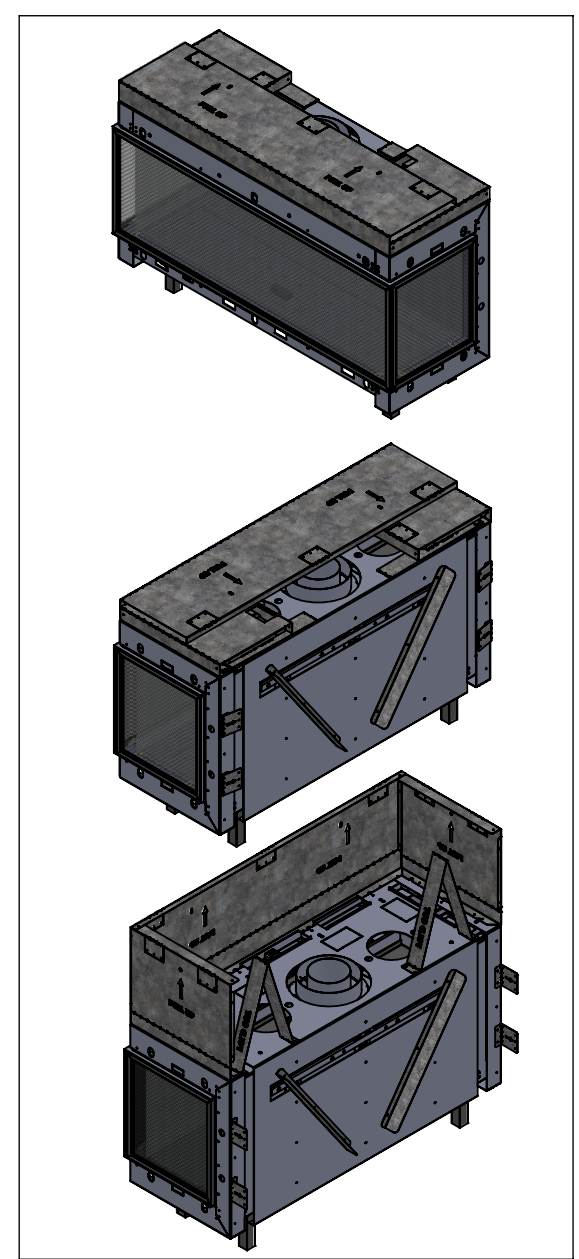
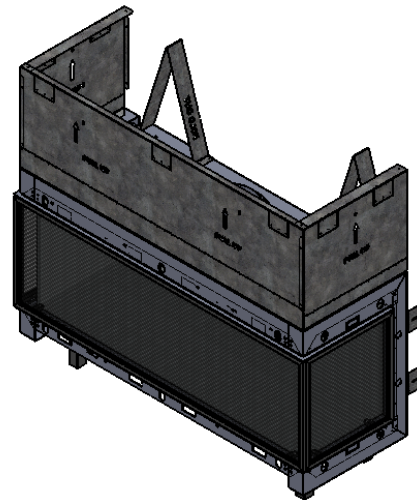
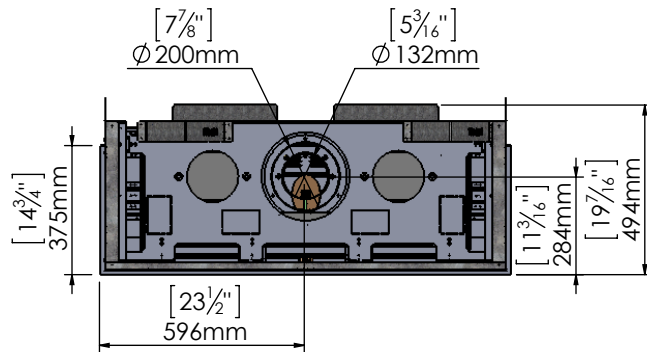
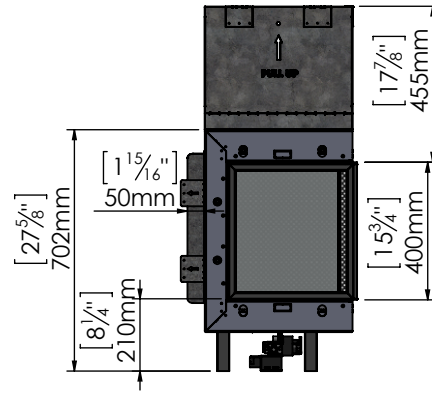
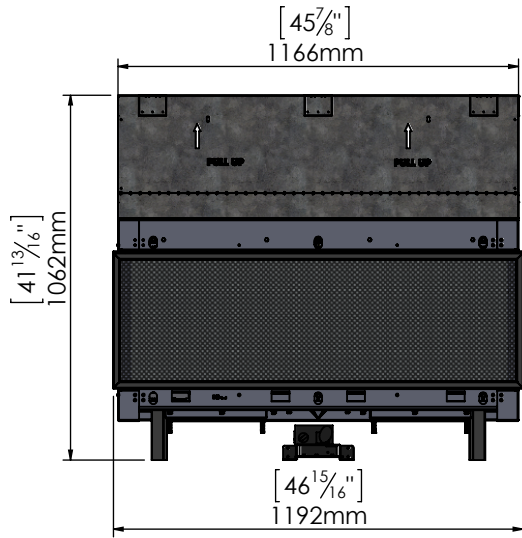




# Three sided 110



**Manufacturer Update – Zero Clearance Installation Unit**  
Manufacturer Effective Date: March 5<sup>th</sup> 2018  
Serial Number Forward : #15150