



## Wood-fired Oven Combination Cook Stove / Heater

N350 / N350W  
N550 / N550W



Excellent warmth and  
cooking performance.

With its robust oven and stove top cooking features, the Wood-fired Oven is perfect for remote locations or anywhere wood is the preferred fuel source. Enjoy the ability to cook a roast, pizza or breads, plus enjoy the added benefit of primary heating in spacious living areas.



# Wood-fired Oven Combination Cook Stove / Heater

N350 / N350W  
N550 / N550W



## Features



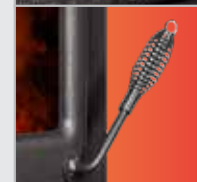
Supplied with 2 wire cooking racks and 1 baking tray



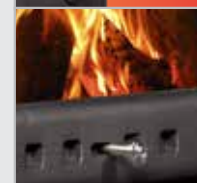
Cook Top: Direct radiant heat 1/4" top plate has 2 removable cook rings



Oven temperatures supplied with both a °F and °C thermometer



"Stay Cool" spring handle



The adjustable bypass allows for greater fire and oven temperature control by increasing/decreasing the amount of air into the firebox



With the flue bypass dampener closed, flue gases spill over the internal side plates of the firebox creating a convection cooking effect



Cast iron doors and ceramic glass

### N350 / N350W

Dimensions (WxHxD) . . . 21-5/8" x 34" x 21"  
54.9cm x 86.3 cm x 54.3cm  
Heat Output . . . . . 30,000 BTU's/hr  
Residual Heat Output . . . 750-1,000 sq. ft.  
Weight . . . . . 265 lbs (120.2 KG)  
Construction . . . . . Steel 1/4" & 5/16"  
Stove racks . . . . . 3  
Maximum Log . . . . . 13"  
Firebox Volume . . . . . 1.49 cu.ft  
Top Flue Size . . . . . 6"  
Efficiency Rating . . . . . 78%  
5" Cook rings . . . . . 2

### N350 / N350W

Dimensions (WxHxD) . . . 26-5/8" x 33" x 19.6"  
67.6cm x 83.8 cm x 49.8cm  
Heat Output . . . . . 65,000 BTU's/hr  
Residual Heat Output . . . 2,000-2,500 sq. ft.  
Weight . . . . . 465 lbs (210.9 KG)  
Construction . . . . . Steel 1/4" & 5/16"  
Stove racks . . . . . 3  
Maximum Log . . . . . 19"  
Firebox Volume . . . . . 1.55 cu.ft  
Top Flue Size . . . . . 6"  
Efficiency Rating . . . . . 78%  
5" Cook rings . . . . . 2

Model #	Description	Heat Output	Residual Heat Output	Weight	Warranty <sup>1</sup>	Product Dimensions (WxHxD)	
						Inches	cm
N350	Wood-fire Oven	30,000 BTU's/hr	750-1,000 sq. ft.	265 lbs (120.2 KG)	10 year limited	21-5/8 x 34 x 21	54.9 x 86.4 x 53.3
N350W	Wood-fire Oven (w / water jacket)	30,000 BTU's/hr	750-1,000 sq. ft.	265 lbs (120.2 KG)	10 year limited	21-5/8 x 34 x 21	54.9 x 86.4 x 53.3
N550	Wood-fire Oven	65,000 BTU's/hr	2,000-2,500 sq. ft.	465 lbs (210.9 KG)	10 year limited	26-5/8 x 33 x 19-5/8	67.6 x 83.8 x 49.7
N550W	Wood-fire Oven (w / water jacket)	65,000 BTU's/hr	2,000-2,500 sq. ft.	465 lbs (210.9 KG)	10 year limited	26-5/8 x 33 x 19-5/8	67.6 x 83.8 x 49.7

Specifications are subject to change. ©2018 Glen Dimplex Americas. <sup>1</sup>Limited warranty.

SE-364-R03-071918

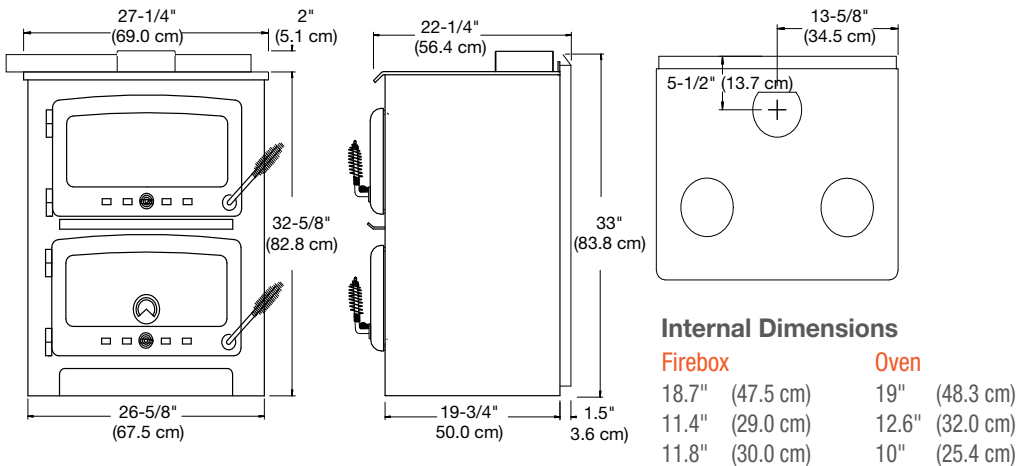


N350 / N350W  
N550 / N550W

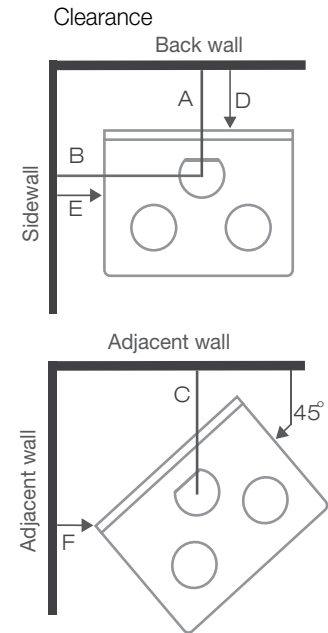
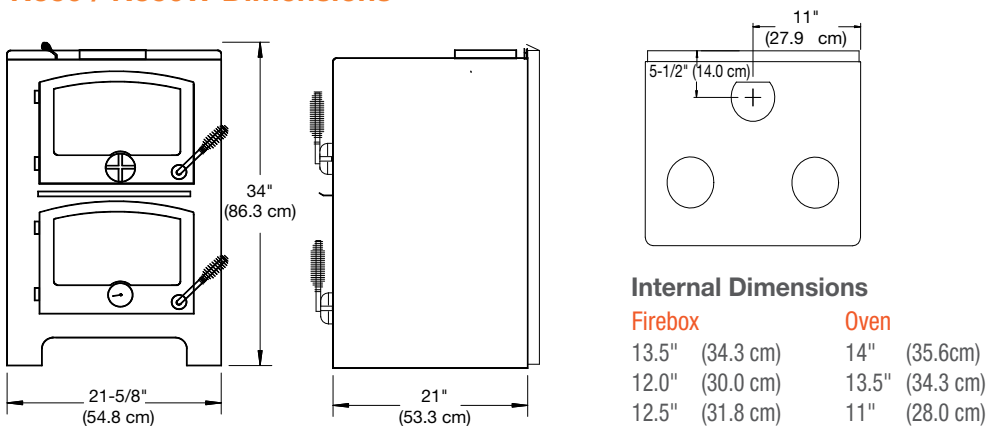
# Wood-Fired Oven

Wood-fired oven combined with wood-fire heating

## N550 / N550W Dimensions



## N350 / N350W Dimensions



### Residential installation for Standard Clearances

	N350 / N350W	N550 / N550W
A ..	10.5" (26.7 cm)	12.5" (31.75 cm)
B ..	18" (45.7 cm)	22.5" (57.1 cm)
C ..	15" (38.1 cm)	15" (38.1 cm)
D ..	8" (20.3 cm)	10" (25.4 cm)
E ..	10" (25.4 cm)	12" (30.5 cm)
F ..	6.5" (16.5 cm)	5" (12.7 cm)

EPA Cookstove Requirements	N350 / N350W	N550 / N550W
(1) Oven volume > 1 cubic foot	1.19 cubic feet with oven rack	1.69 cubic feet with oven rack
(2) Oven thermometer	<input checked="" type="checkbox"/>	<input checked="" type="checkbox"/>
(3) Flame path around oven	<input checked="" type="checkbox"/>	<input checked="" type="checkbox"/>
(4) Ash pan	Ash collection beneath oven	Ash collection beneath oven
(5) Ash clean out beneath oven	Access ash pan through base of oven	Access ash pan through base of oven
(6) No fan or heat channels	<input checked="" type="checkbox"/>	<input checked="" type="checkbox"/>
(7) Cooking surface 1.5 times greater than firebox volume	Cooking surface = 2.6 square feet Firebox volume = 1.49 cubic feet	Cooking surface = 3.4 square feet Firebox Volume = 1.55 cubic feet
(8) At least four sides of oven exposed to flame path	Flame path wraps sides, base, and rear of oven	Flame path wraps sides, base, and rear of oven