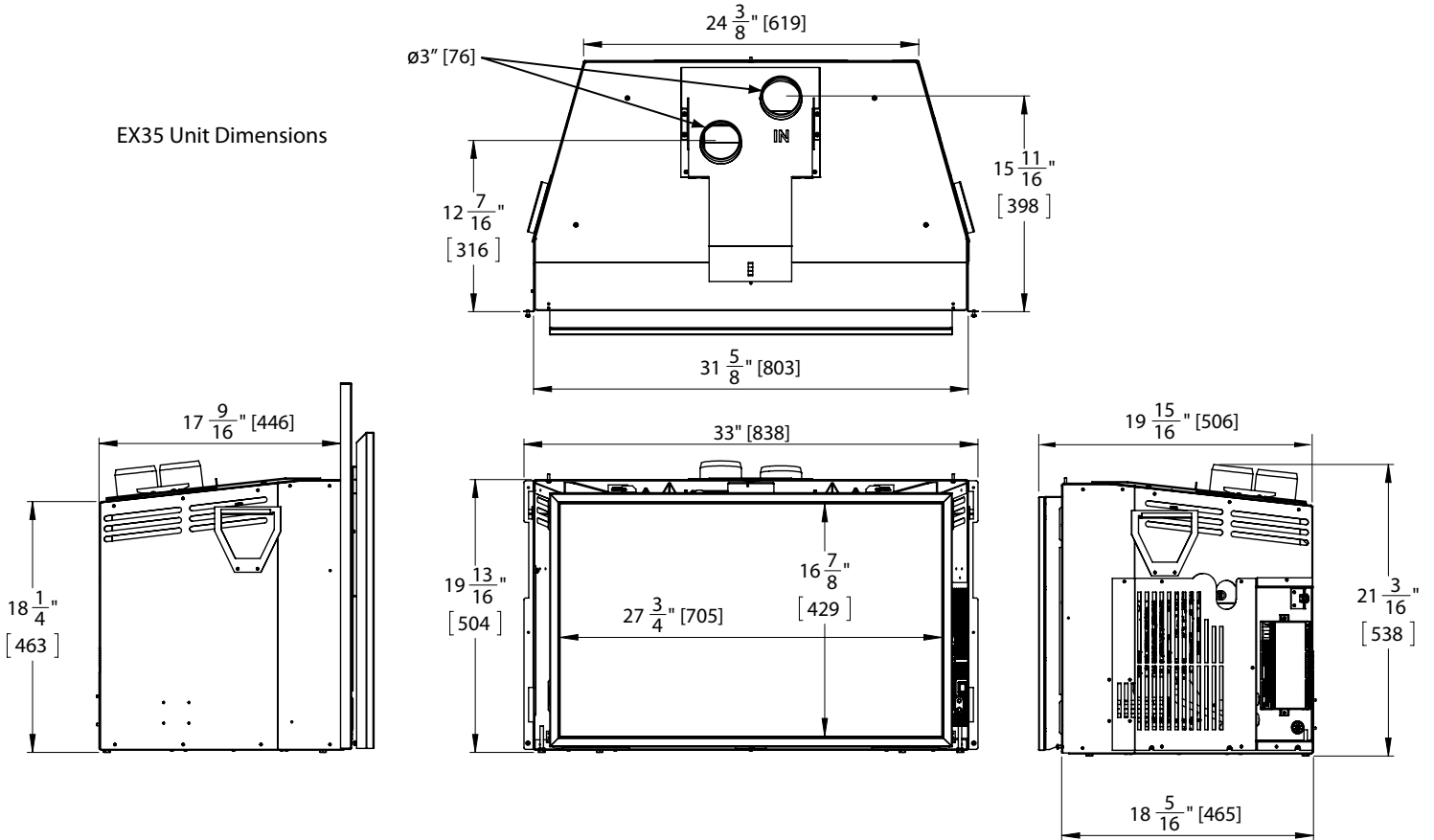


EX35 Dimensions

EX35 Unit Dimensions



Clearance to Combustibles

EX35

A - center of unit to side wall	24"
B - bottom of unit to bottom of 12" mantle	36"
C - unit bottom to max. $\frac{3}{4}$ " combustible facing	30"
D - center of unit to side facing	23"
E - front of door to edge of floor protection	9"

