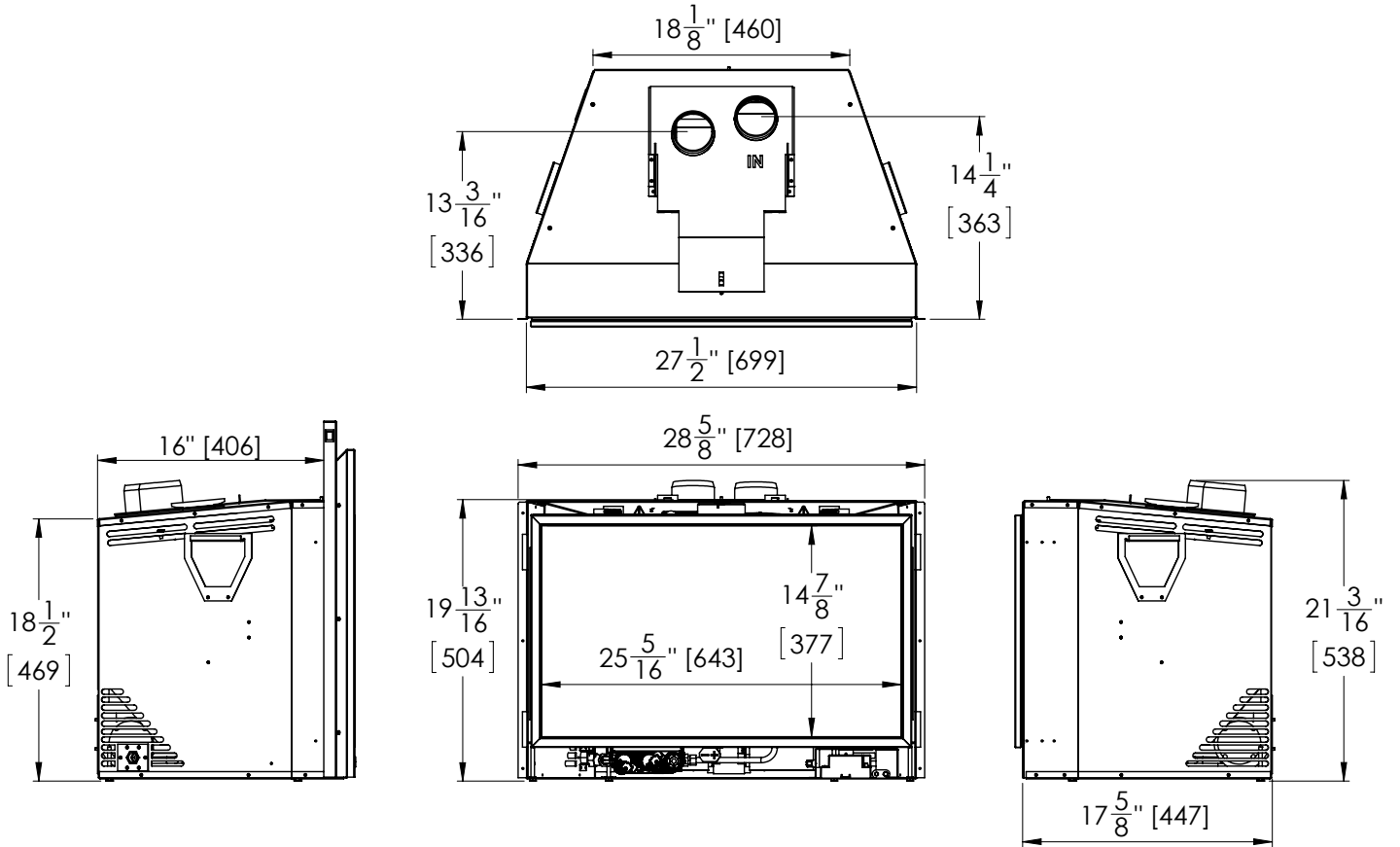


# EX32 Dimensions



## Clearance to Combustibles

EX32

A - center of unit to side wall	21"
B - bottom of unit to bottom of 12" mantle	42"
C - unit bottom to max. $\frac{3}{4}"$ combustible facing	33"
D - center of unit to side facing	21"
E - front of door to edge of floor protection	9"

