



EX32

IPI GAS FIREPLACE INSERT

OWNER'S MANUAL

WARRANTY REGISTRATION
enviro.com/warranty



WARNING: If the information in this manual is not followed exactly, a fire or explosion may result causing property damage, personal injury or loss of life. Installation and service must be performed by a qualified installer, service agency or the gas supplier.

SAFETY PRECAUTIONS



WARNING:

FIRE OR EXPLOSION HAZARD

Failure to follow safety warnings exactly could result in serious injury, death, or property damage.

- Do not store or use gasoline or other flammable vapors and liquids in the vicinity of this or any other appliance.

- **WHAT TO DO IF YOU SMELL GAS**
 - Do not try to light any appliance.
 - Do not touch any electrical switch; do not use any phone in your building.
 - Leave the building immediately.
 - Immediately call your gas supplier from a neighbor's phone. Follow the gas supplier's instructions.
 - If you cannot reach your gas supplier, call the fire department.

- Installation and service must be performed by a qualified installer, service agency or the gas supplier.

INSTALLER:

Leave this manual with the appliance.

CONSUMER:

Retain this manual for future reference.

This appliance is only for use with the type of gas indicated on the rating plate. This appliance is not convertible for use with other gases, unless a certified kit is used.

Massachusetts installations (Warning): This product must be installed by a licensed plumber or gas fitter when installed within the Commonwealth of Massachusetts. Other Massachusetts code requirements: Flexible connector must not be longer than 36in., a shut off valve must be installed; only direct vent sealed combustion products are approved for bedrooms/bathrooms. A carbon monoxide detector is required in all rooms containing gas fired direct vent appliances. The fireplace damper must be removed or welded in the open position prior to installation of a fireplace insert.

SAFETY PRECAUTIONS

FOR SAFE INSTALLATION AND OPERATION OF YOUR "ENVIRO" HEATER, PLEASE CAREFULLY READ THE FOLLOWING INFORMATION:

- All ENVIRO gas-fired appliances must be installed in accordance with their instructions. Carefully read all the instructions in this manual first. Consult the building authority having jurisdiction to determine the need for a permit prior to commencing the installation.
- **NOTE:** Failure to follow these instructions could cause a malfunction of the fireplace, which could result in death, serious bodily injury, and/or property damage.
- Failure to follow these instructions may also void your fire insurance and/or warranty.

GENERAL

• Installation and repair should be done by a qualified service person. The appliance should be inspected before the first use and, at least, annually by a qualified service person. More frequent cleaning may be required due to excessive lint from carpeting, bedding material, etc. It is imperative the control compartments, burners and circulating air passageways of the appliance be kept clean.

• Due to high temperatures, the appliance should be located out of high traffic areas and away from furniture and draperies.

Children and adults should be alerted to the hazards of high surface temperatures and should stay away to avoid burn or clothing ignition.

• Young children should be carefully supervised when in the same room as the appliance. Toddlers, young children and others may be susceptible to accidental contact burns. A physical barrier is recommended if there are at risk individuals in the house. To restrict access to a fireplace or stove install an adjustable safety gate to keep toddlers, young children and other at risk individuals out of the room and away from hot surfaces. Any safety screen, guard, or barrier removed for servicing an appliance must be replaced prior to operating the appliance.

• Clothing or other flammable materials should not be placed on or near the appliance.

• A barrier designed to reduce the risk of burns from the hot viewing glass is provided with this appliance and shall be installed for the protection of children and other at-risk individuals. If the barrier becomes damaged, the barrier shall be replaced with the manufacturer's barrier for this appliance

FOR YOUR SAFETY

• Installation and service must be performed by a qualified installer, service agency or gas supplier.

• This installation must conform to local codes or, in the absence of local codes, with the National Fuel Gas Code, ANSI Z223.1/NFPA 54, or the Natural Gas and Propane Installation Code, CSA B149.1.

• To prevent injury, do not allow anyone who is unfamiliar with the stove to operate it.

• To prevent injury, if the pilot or pilot and burners have gone out on their own, open the glass door and wait 5 minutes to air out before attempting to re-light the stove.

• Always keep the area around these appliances clear of combustible material, gasoline and other flammable liquids and vapours.

• These appliances should not be used as a drying rack for clothing or for hanging Christmas stockings/decorations.

• Due to the paint curing on the stove, a faint odor and slight smoking will likely be noticed when the stove is first used. Open a window until the smoking stops.

Always connect this gas stove to a vent system and vent to the outside of the building envelope. Never vent to another room or inside the building. Make sure the specified vent pipe is used, properly sized and of adequate height to provide sufficient draft. Inspect the venting system annually for blockage and signs of deterioration.

WARNING: Failure to position the parts in accordance with the diagrams in this booklet, or failure to use only parts specifically approved with this appliance, may result in property damage or personal injury.

WARNING: Do not operate with the glass front removed, cracked or broken. Replacement of the glass should be done by a licensed or qualified service person.

• Never use solid fuels such as wood, paper, cardboard, coal, or any flammable liquids, etc., in this appliance.

• Do not use this appliance if any part has been under water. Immediately call a qualified service technician to inspect the appliance and to replace any part of the control system or any gas control which has been under water.

• Do not abuse the glass by striking it or slamming the door shut.

• If the EX32 unit is pulled out of its installation, and the vent-air intake system is disconnected for any reason, ensure that the vent-air intake pipes are reconnected and re-sealed in accordance to the instructions noted in INITIAL INSTALLATION - VENTING.



DANGER



HOT GLASS WILL CAUSE BURNS

DO NOT TOUCH GLASS UNTIL COOLED.

NEVER ALLOW CHILDREN TO TOUCH GLASS.

A barrier designed to reduce the risk of burns from the hot viewing glass is provided with this appliance and shall be installed for the protection of children and other at-risk individuals.

TABLE OF CONTENTS

Safety Precautions.....	2
Table of Contents.....	4
Codes And Approvals.....	5
Specifications.....	6
Rating Label Location.....	6
Dimensions.....	6
Install Depths.....	6
EX32 Options Dimensions.....	7
Operating Instructions.....	8
Lighting and Turning Off Instructions.....	8
Venturi Adjustment.....	9
Normal Sounds During Operation.....	9
Remote Control Operations.....	9
System Description.....	10
Technical Data.....	10
Transmitter.....	10
Integrated Fireplace Controller (IFC).....	11
Operating Procedure.....	12
Maintenance And Service.....	16
Cleaning the Painted Surfaces.....	16
Glass Door Removal.....	16
Cleaning the Glass.....	17
Cleaning the Firebox.....	16
Replacing the Glass.....	17
Check Pilot and Burner Flames.....	17
Burner Removal.....	18
Ember Lights - Bulb Replacement.....	19
Top Light - Bulb Replacement.....	19
Fuel Conversion.....	20
Initial Installation.....	22
Clearances to Combustibles.....	22
Minimum Fireplace Size.....	22
Venting.....	22
Exhaust Restrictor.....	24
Installing the EX32.....	24
Zero Clearance Fireplace Installation.....	27
Electrical Requirements.....	27
Gas Line Connection.....	29
Adjusting The Pilot Flame.....	30
Secondary Installation.....	31
Optional Base Shelf & Riser.....	31
Surround Panel Installation.....	32
Optional 3 and 4 sided Trimmable Panels.....	33
Log Set Installation.....	34
Trouble Shooting.....	37
Parts List.....	40
Parts Diagram - Components.....	41
Notes.....	42
Warranty.....	43
Installation Data Sheet.....	44

CODES AND APPROVALS

DIRECT VENT: This type is identified by the suffix DV. This appliance draws all of its air for combustion from outside the dwelling, through a specially designed vent pipe system.

This appliance has been tested and approved for installations from 0 feet to 4500 feet (1372 m) above sea level.

In the USA: The appliance may be installed at higher altitudes. Please refer to your American Gas Association guidelines which state: the sea level rated input of Gas Designed Appliances installed at elevations above 2000 (610 m) feet is to be reduced 4% for each 1000 feet (305 m) above sea level. Refer also to local authorities or codes which have jurisdiction in your area regarding the de-rate guidelines.

In Canada: When the appliance is installed at elevations above 4500 feet (1372 m), the certified high altitude rating shall be reduced at the rate of 4% for each additional 1000 feet (305 m).

- This appliance has been tested by INTERTEK and found to comply with the established VENTED GAS FIREPLACE HEATER standards in CANADA and the USA as follows:

DIRECT VENTED GAS FIREPLACE INSERT HEATER
TESTED AND LISTED TO: ANSI Z21.88-2016/CSA 2.33-2016 VENTED GAS FIREPLACE HEATERS
CAN/CGA 2.17-M91 (R2009) GAS FIRED APPLIANCES FOR HIGH ALTITUDES BY OMNI-TEST LABORATORIES
CSA P.4.1-2015 TESTING METHOD FOR MEASURING ANNUAL FIREPLACE EFFICIENCY

This ENVIRO EX32 Fireplace Insert:

- Has been certified for use with either natural or propane gases. (See rating label.)
- Is not for use with solid fuels.
- Is approved for bedroom or bed sitting room. (**IN CANADA:** must be installed with a permanent wall thermostat for bedroom installations. Consult the authority having local jurisdiction in your area. **IN USA:** see current ANSI Z223.1 for installation instructions.)
- Must be installed in accordance with local codes. If none exist, use current installation code CAN/CGA B149 in Canada or ANSI Z223.1/NFPA 54 in the USA.
- Must be properly connected to an approved venting system and not connected to a chimney flue serving a separate solid-fuel burning appliance.
- Is not approved for closet or recessed installations.

IMPORTANT NOTICE (Regarding first fire up): When the unit is turned on for the first time, it should be turned onto high without the fan on for the first 4 hours. This will cure the paint, logs, gasket material and other products used in the manufacturing process. It is advisable to open a window or door, as the unit will start to smoke and can irritate some people. After the unit has gone through the first burn, turn the unit off, let the unit get cold then remove the glass door and clean it with a good gas fireplace glass cleaner, available at your local ENVIRO dealer. See "DOOR REMOVAL" and "CLEANING THE GLASS" sections.

COLD CLIMATES:

NOTE: In cold climates, additional insulation may be used on some venting. It is recommended in cold climates to wrap the exhaust and intake venting for the final few feet before termination.



SPECIFICATIONS

RATING LABEL LOCATION:

The rating label is located in the bottom of the unit.

DIMENSIONS:

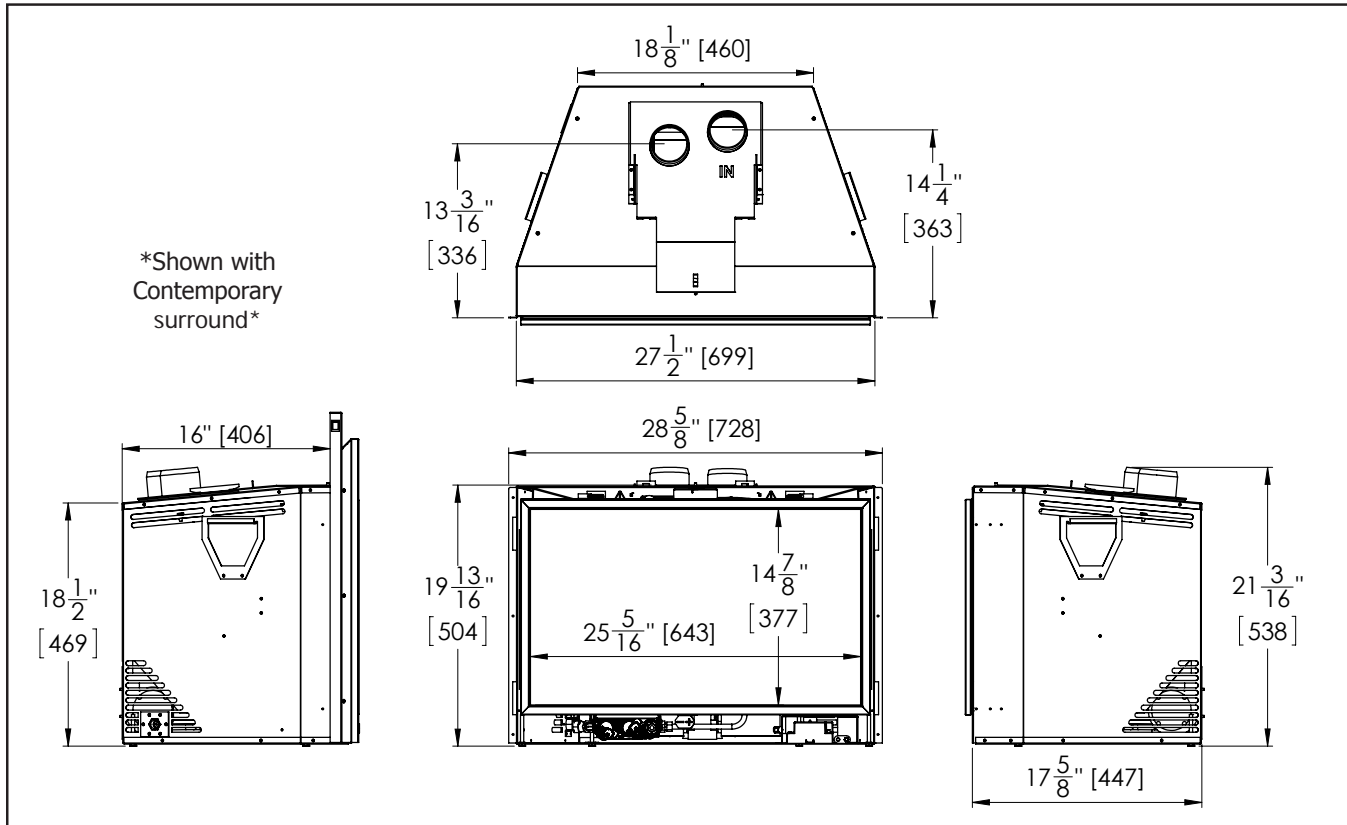


Figure 1: EX32 Exterior Dimensions.

INSTALL DEPTH:

The EX32 has a minimum install depth of 16" (406mm). The table below shows what depth of install is required with each surround panel.

Surround Panel	Required Install Depth
Contemporary	16" (406mm)
Extruded	
Extruded Plus	17 1/4" (438mm)
Borderview	
Borderview Plus	
Modern Plus	

Table 1: Install Depths

SPECIFICATIONS

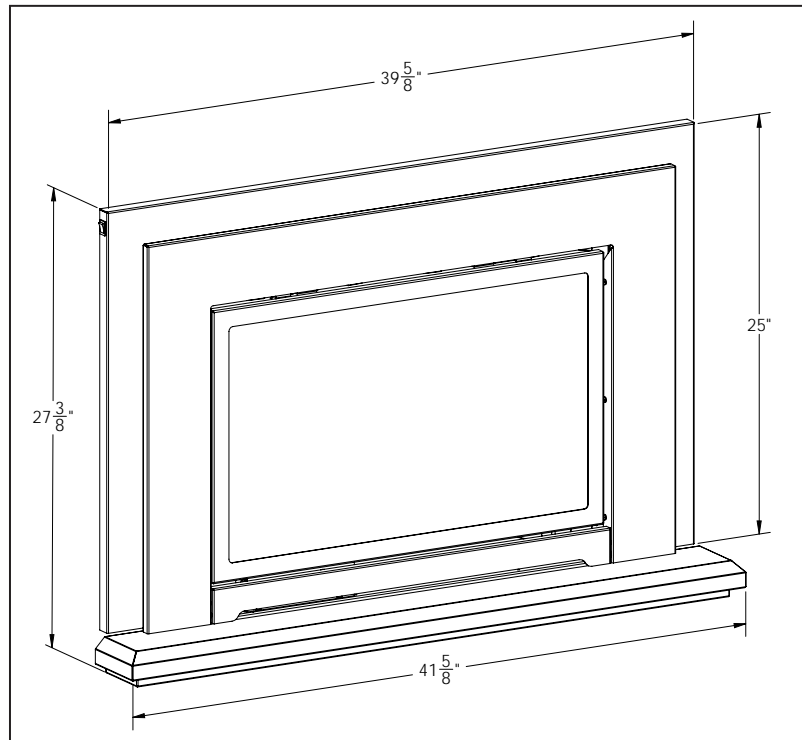


Figure 2: EX32 Contemporary Surround with Base Shelf and Riser.

Table 2: EX32 Options Dimensions.

	Contemporary Surround	Extruded Surround
Height	25" (635mm)	25" (635mm)
Width	39 7/8" (1013 mm)	39 7/8" (1013 mm)
Trimnable Surround	Height	Width
	38" (965mm)	46" (1168mm)
	Base Shelf	Base Shelf Riser
Height	1 5/8" (41mm)	2 1/8" (54mm)
Width	41 5/8" (1057mm)	40 1/4" (1022mm)
Depth	Bottom 4 7/8" (112mm); Top 3 13/16" (97mm)	3 11/16" (94mm)

Table 3: Elite Surround Options

Surround	Borderview Plus	Borderview Plus
Height	26.125" (665mm)	26.125" (665mm)
Width	40" (1016mm)	40" (1016mm)
Surround	Borderview Plus 4-Sided	Modern Plus
Height	31" (785mm)	25.375" (645mm)
Width	40" (1016mm)	38.5" (725mm)
Surround	Extruded Plus	E30 Hearth Riser
Height	26.125" (665mm)	2" (50mm)
Width	40" (1016mm)	43.5" (1105mm)

OPERATING INSTRUCTIONS

For Your Safety, Read Safety Precautions And Lighting Instructions Before Operating

WARNING: IF YOU DO NOT FOLLOW THESE INSTRUCTIONS EXACTLY A FIRE OR EXPLOSION MAY RESULT, CAUSING PROPERTY DAMAGE, PERSONAL INJURY OR LOSS OF LIFE.

LIGHTING AND TURNING OFF INSTRUCTIONS:

FOR YOUR SAFETY READ BEFORE OPERATING

WARNING:IF YOU DO NOT FOLLOW THESE INSTRUCTIONS EXACTLY, A FIRE OR EXPLOSION MAY RESULT CAUSING PROPERTY DAMAGE, PERSONAL INJURY OR LOSS OF LIFE.

A. This appliance is equipped with an ignition device which automatically lights the pilot. Do not try to light the pilot by hand.

B. BEFORE OPERATING smell all around the appliance area for gas. Be sure to smell next to the floor because some gas is heavier than air and will settle on the floor.

WHAT TO DO IF YOU SMELL GAS:

- Do not try to light any appliance.
- Do not touch any electrical switch; do not use any phone in your building.
- Immediately call your gas supplier from a neighbor's phone. Follow the gas supplier's instructions.
- If you cannot reach your gas supplier, call the fire department.

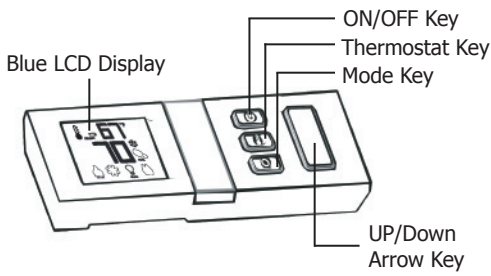
C. Use only your hand to push in or turn the gas control knob. Never use tools. If the knob will not push in or turn by hand, don't try to repair it, call a qualified service technician. Force or attempted repair may result in a fire or explosion.

D. Do not use this appliance if any part has been under water. Immediately call a qualified service technician to inspect the appliance and to replace any part of the control system and any gas control which has been under water.

OPERATING INSTRUCTIONS

1. STOP! Read the safety information above on this label.
2. Read the owner's manual including the section on "Remote Control" operation.
3. Set the thermostat to the lowest setting.
4. Turn off all electric power to the appliance.
5. Do not attempt to light the pilot by hand.
6. Wait five (5) minutes to clear out any gas. Then smell for gas, including near the floor. If you smell gas, STOP! Follow "B" in the safety information above on this label. If you don't smell gas, go to the next step.
7. Turn on all electric power to the appliance.
8. Using the remote control, set thermostat to desired setting, or press the ON/OFF key on the remote. "ON" will be indicated on the display of the remote and an audible "beep" will be heard at the unit to indicate the command has been received.

9. This appliance is equipped with a completely automatic ignition and lighting control. The control will attempt to light the pilot several times if necessary. If it is unsuccessful, it will discontinue operations. If the appliance will not operate, follow the instructions "To Turn Off Gas To Appliance" and call your service technician or gas supplier.



The diagram shows a control panel with a blue LCD display on the left showing a thermostat setting. To the right of the display are three buttons: a square button labeled 'ON/OFF Key', a circular button labeled 'Thermostat Key', and a rectangular button labeled 'Mode Key'. Below these buttons is a vertical slider labeled 'UP/Down Arrow Key'.

TO TURN OFF GAS TO APPLIANCE

1. Set thermostat to lowest setting, or press the ON/OFF Key. "OFF" will be indicated on the display and an audible "Beep" will be heard at the unit to indicate the command has been received.
2. Turn off all electric power to the appliance if service is to be performed.

Figure 3: Lighting instruction label.

OPERATING INSTRUCTIONS

VENTURI ADJUSTMENT:

The venturi adjustment lever is located on the right side of the unit, below the door (see Figure 4).

The venturi allows the amount of air coming into the fireplace to be adjusted in order to accommodate different climates and venting arrangements. Start the pilot and then the burner. Make sure the pilot flame is burning normally and none of the burner ports are plugged. Let the fireplace burn for roughly fifteen (15) minutes and then examine the flames. The ideal flame will be blue at the base and light

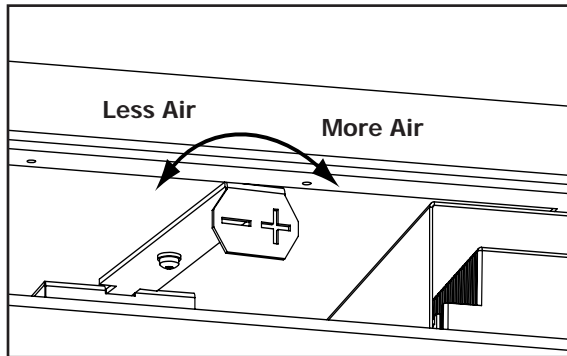


Figure 4: Adjusting the venturi air setting.

orange above. The flames should be of medium height. If the flames look like this, no venturi adjustment is needed. If the flames are fairly short and mostly blue, the fireplace is getting too much air. Therefore, the air shutter should be closed (push left) slightly until the correct flames are achieved. Flames that are very orange, with tall dark stringy tips are not getting enough air. Open (push right) the venturi until the flames clean up. If the venturi is opened, then closed all the way, and the correct flames cannot be attained, turn off the gas and contact the dealer.

Warning: Incorrect venturi adjustment may lead to improper combustion, which is a safety hazard. Contact the dealer if there is any concern about the venturi adjustment.

OPERATING INSTRUCTIONS

NORMAL SOUNDS DURING OPERATION:

Component	Sound & Reason
Fire Box	Creaking when heating up or cooling down.
Burner	Light pop or poof when turned off; this is more common with LP units.
Pilot Flame	Quiet whisper while the pilot flame in on.
Blower / Fan	Air movement that increases and decreases with the speed of the blower.
Gas Control Valve	Dull click when turning on or off, this is the valve opening and closing.
IFC	Beeps when remote control buttons are pressed.

Table 4: Normal Sound

REMOTE CONTROL OPERATIONS:

The Proflame 2 GTMFLSA is a modular remote control system that directs the functions of the EX32. The Proflame 2 GTMFLSA is configured to control the on/off main burner operation, its flame levels and provides on/off and Smart thermostatic control of the appliance. The system controls a remotely actuated top light, as well as bottom lights and fan speed each through six (6) levels.

OPERATING INSTRUCTIONS

SYSTEM DESCRIPTION:

The Proflame 2 Remote Control System consists of two (2) elements:

1. Proflame 2 Transmitter.
2. Integrated Fireplace Controller (IFC) and wiring harness to connect to the gas valve, stepper motor battery holder, convection fan, and lights.

ATTENTION!

- TURN "OFF" THE MAIN GAS SUPPLY OF THE APPLIANCE DURING INSTALLATION OR MAINTENANCE OF THE IFC.
- TURN "OFF" MAIN GAS SUPPLY TO THE APPLIANCE PRIOR TO REMOVING OR REINSERTING THE BATTERIES IN THE BATTERY HOLDER

TECHNICAL DATA

Transmitter (Remote Control):

Supply voltage: 4.5 V (three 1.5 V AAA batteries)
Radio frequency: 315 MHz

Integrated Fireplace Controller (IFC):

Supply voltage: AC IN - 120 V / 60 Hz
Battery Backup IN - 6 Vdc - 200mA (four 1.5 V AA batteries)
Spark voltage / frequency: >10kV / 1Hz
Comfort modulating fan: 120 V / 60 Hz / 2A
Auxiliary: 120 V / 60 Hz / 5A

TRANSMITTER:

The Proflame 2 Transmitter is a remote control with a blue backlit LCD display. It uses a streamline design with a simple button layout and informative LCD readout (Figure 5). The Transmitter is powered by three (3) AAA type batteries. A Mode Key is provided to Index between the features and a Thermostat Key is used to turn on/off or index through Thermostat functions (Figure 5 & 6).

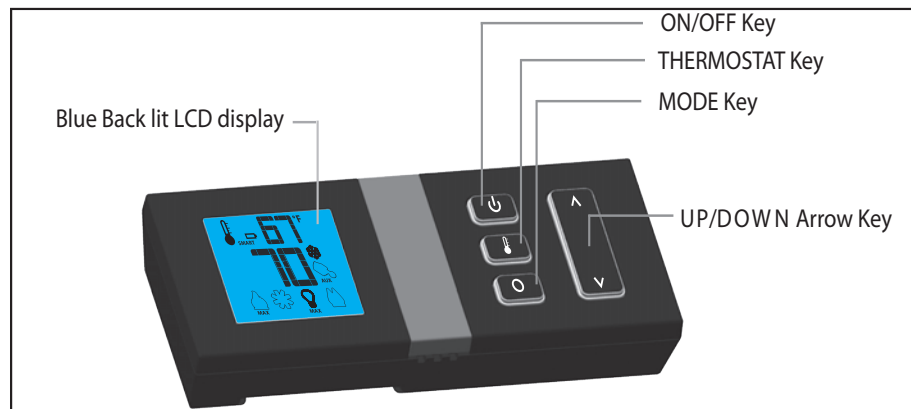


Figure 5: Proflame 2 Transmitter.

OPERATING INSTRUCTIONS

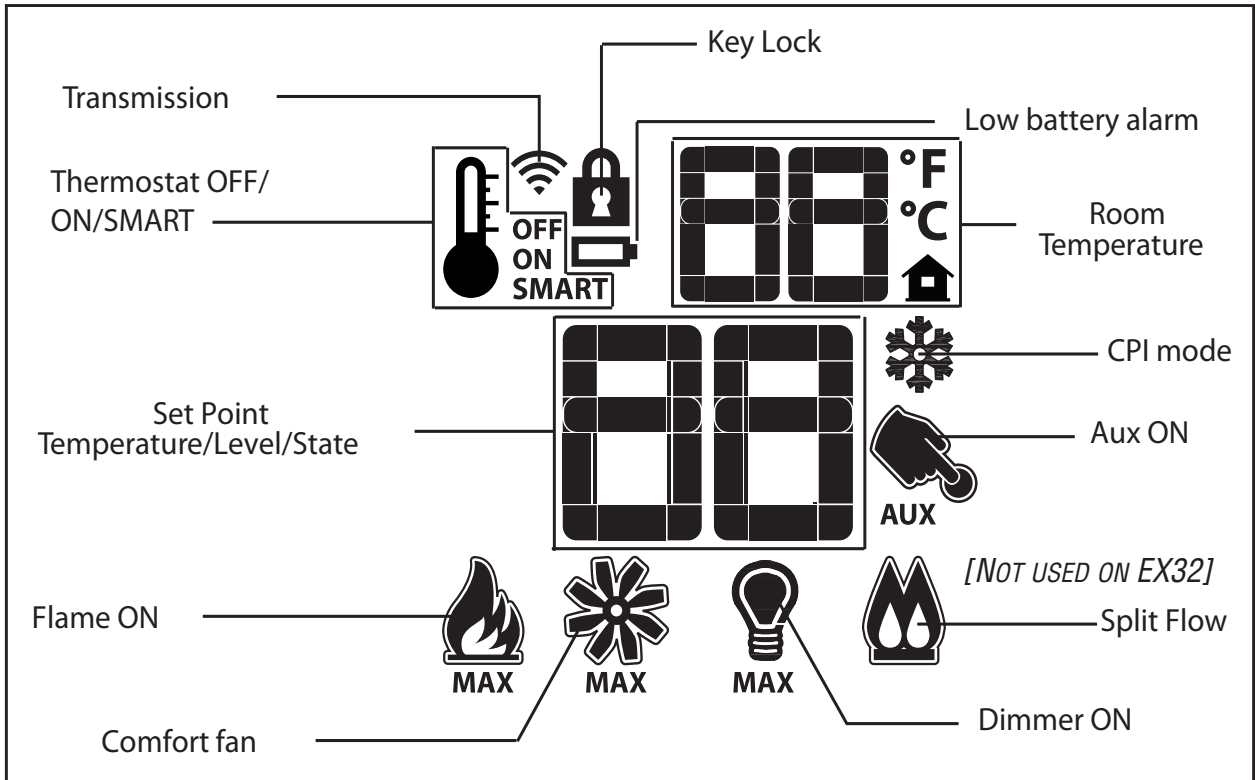


Figure 6: Proflame 2 Transmitter LCD Screen.

INTEGRATED FIREPLACE CONTROLLER (IFC):

The Proflame 2 IFC (Figure 7) connects directly to the gas valve, stepper motor, pilot, convection fan, and accent lights with wiring harnesses. The IFC is mainly powered by 120 VAC but can also run off a battery backup four (4) AA type batteries for shorter periods of time. The IFC accepts commands via radio frequency from the Transmitter to operate the appliance in accordance with the particular Proflame 2 system configuration. The IFC has a red reset button at the front right corner that is used to synchronize the Transmitter when using the for the first time, or after the batteries have been replaced.

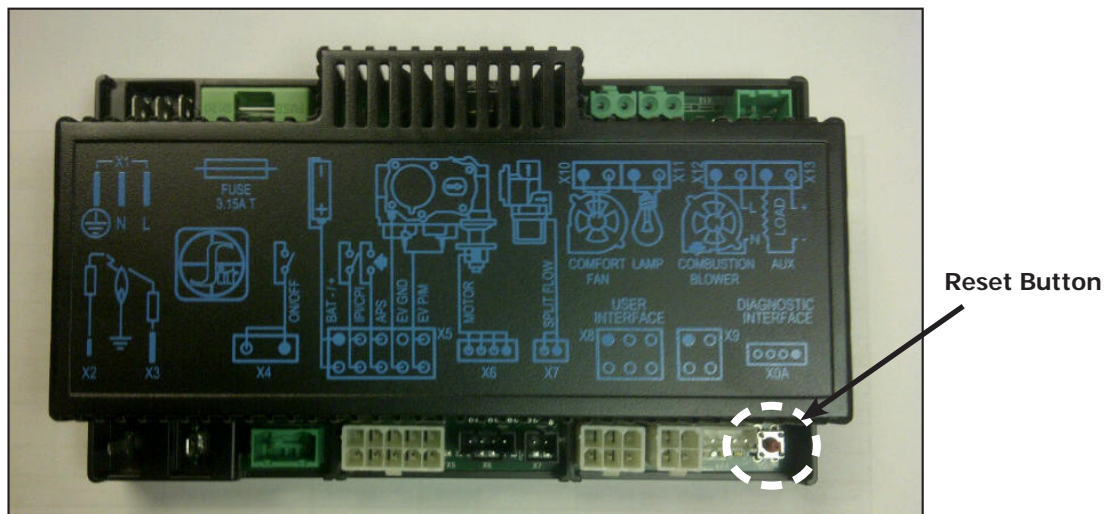


Figure 7: Integrated Fireplace Controller

OPERATING INSTRUCTIONS

OPERATING PROCEDURE:

Initializing The System For The First Time

Install the four (4) AA batteries into the IFC battery holder. Note the polarity of the battery and insert into the battery bay as indicated on the body of the battery holder. Press and release the reset button (see Figure 7).

The IFC will "beep" three (3) times to indicate that it is ready to synchronize with a Transmitter. Install the three (3) AAA type batteries in the Transmitter battery bay, located on the base of the Transmitter. With the batteries already installed in the Transmitter, push the 'ON' button. The IFC will "beep" four (4) times to indicate the Transmitter's command is accepted and sets to the particular code of that Transmitter. The system is now initialized.

Temperature Indication Display

With the system in the "OFF" position, press the Thermostat Key and the Mode Key at the same time. Look at the LCD screen on the transmitter to verify that a °C or °F is visible to the right of the Room Temperature display (see Figure 8).



Figure 8: Remote Control Display in Fahrenheit and Celsius.

Turn on the Appliance

Press the ON/OFF Key on the Transmitter. The Transmitter display will show all active Icons on the screen. A single "beep" from the Receiver will confirm reception of the command and will commence to first ignite the pilot light, followed by the main burner. This should take about 10 seconds to complete.

Turn off the Appliance

Press the ON/OFF Key on the Transmitter. The Transmitter LCD display will only show the room temperature and Icon (see Figure 9). A single "beep" from the IFC confirms reception of the command and both the pilot light (if the unit is not set to continuous pilot) and main burner will turn off.

Room Thermostat (Transmitter Operation)

The Remote Control can operate as a room thermostat. The thermostat can be set to a desired temperature to control the comfort level in a room. To activate this function, press the Thermostat Key (see Figure 5). The LCD display on the Transmitter will change to show that the room thermostat is "ON" and the set temperature is now displayed (see Figure 9). To adjust the set temperature, press the Up or Down Arrow Keys until the desired set temperature is displayed on the LCD screen of the Transmitter.

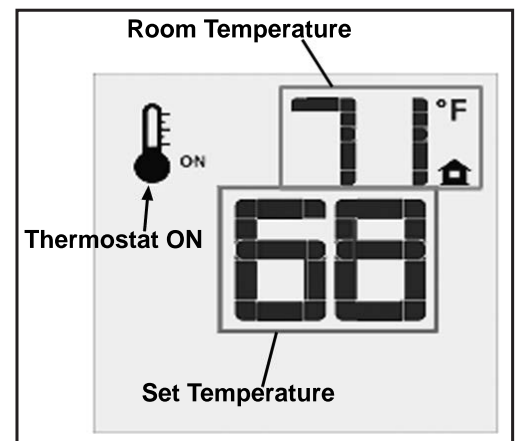


Figure 9: Remote Control Displays Set Temperature.

Smart Thermostat (Transmitter Operation)

The Smart Thermostat function adjusts the flame height in accordance to the difference between the set point temperature and the actual room temperatures. As the room temperature gets closer to the set point the Smart Function will modulate the flame down. To activate this function, press the Thermostat Key (Figure 5) until the word "SMART" appears to the right of the temperature bulb graphic (Figure 10). To adjust the set temperature, press the Up or Down Arrow Keys until the desired set temperature is displayed on the LCD screen of the Transmitter.

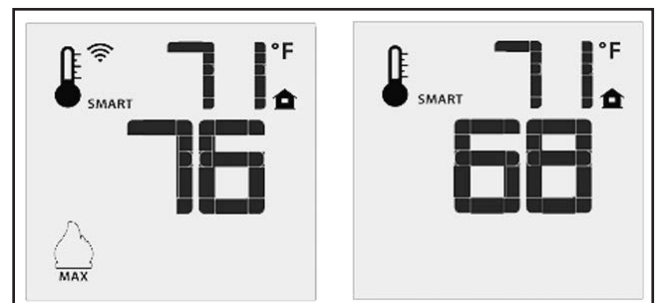


Figure 10: Remote Control's Smart Flame Function.

OPERATING INSTRUCTIONS

Remote Flame Control

The Proflame 2 GTMF has six (6) flame levels. With the system on, and the flame level at the maximum in the appliance, pressing the Down Arrow Key once will reduce the flame height by one step until the flame is turned off. The Up Arrow Key will increase the flame height each time it is pressed. If the Up Arrow Key is pressed while the system is on but the flame is off, the flame will come on in the high position (refer to Figure 11 below). A single “beep” will confirm reception of the command.

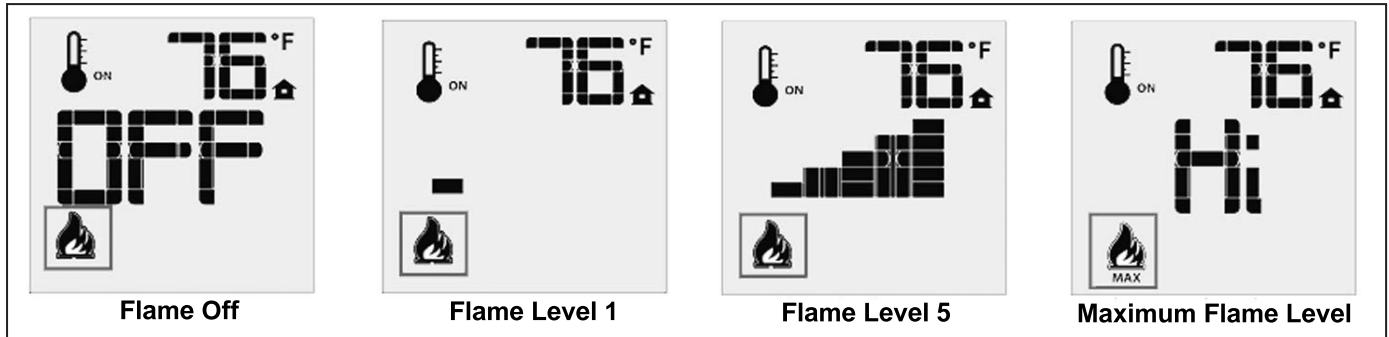


Figure 11: Remote Control's Flame Levels.

Fan Control

The EX32 comes with a convection fan that can be controlled with the Transmitter. The fan speed can be adjusted through six (6) speeds. To control the fan press the MODE key (Figure 5) to index to the fan control icon (Figure 12). Use the UP/DOWN arrow keys to turn on, off, or adjust the fan speed (Figure 12). A single beep from the IFC will confirm the command has been received.

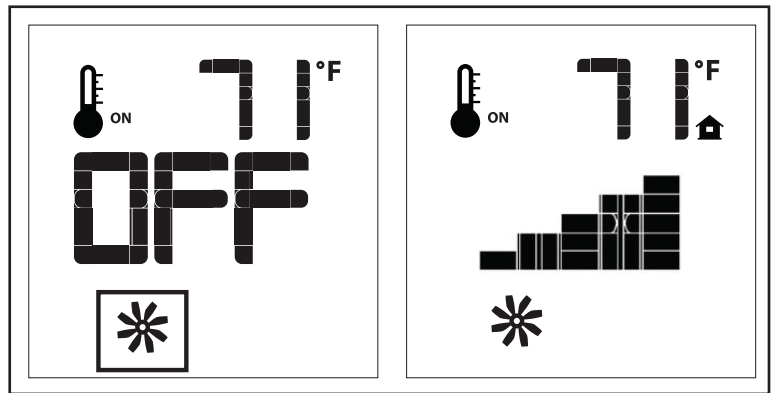


Figure 12: Fan Control

Ember Lights Control

The ember lights at the front of the fireplace can be controlled with the Transmitter. The lights can be adjusted through six (6) levels. To adjust the brightness of the lights press the MODE key (Figure 5) to index to the light control icon (Figure 13). Use the UP/DOWN arrow keys to turn on, off, or adjust the brightness (Figure 13). A single beep from the IFC will confirm the command has been received.

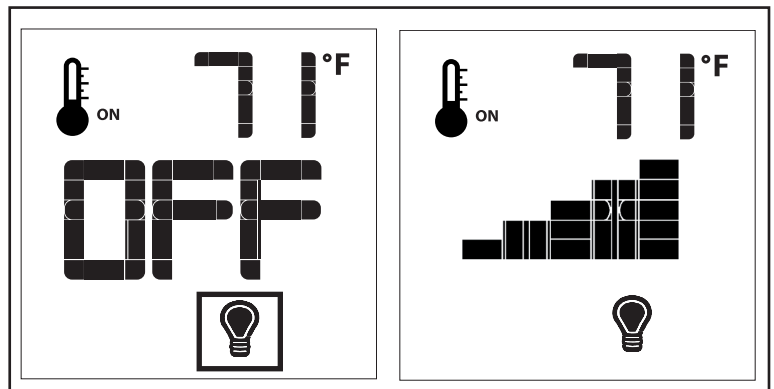


Figure 13: Bottom Light Control

OPERATING INSTRUCTIONS

Split Flow Control

This function is not used on the EX32 and can be disregarded.

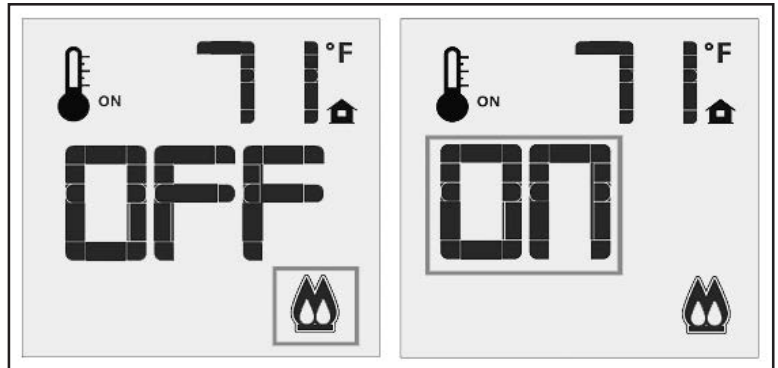


Figure 14: Split Flow Control

Top Light Control

For added ambiance the EX32 also has a light at the top of the fireplace that can be controlled with the Transmitter. The light is non-adjustable but can be turned on and off as desired. To control the top light press the MODE key (Figure 5) to index to the AUX control icon (Figure 15). Use the UP/DOWN arrow keys to turn the light on or off. A single beep from the IFC will confirm the command has been received. The top light is most noticeable when the flame is set to the lowest setting. It can also be left on when the flame is off (see REMOTE FLAME CONTROL section) to highlight the log set.

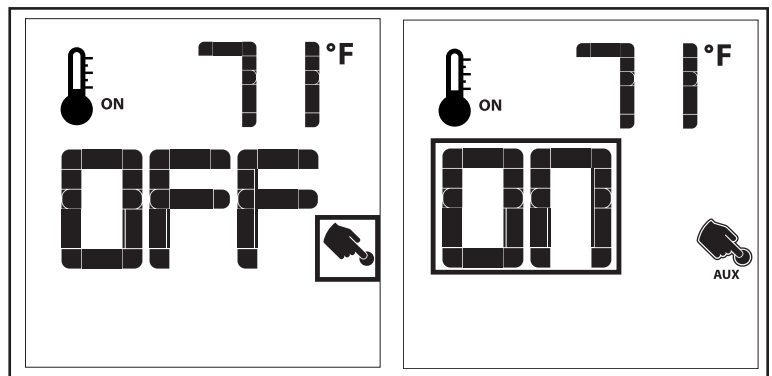


Figure 15: Aux (Top Light) Control

Key lock

This function will lock the keys to avoid unsupervised operation. To activate this function, press the MODE and UP keys at the same time and the a lock will appear (see Figure 16). To de-activate this function, press the MODE and UP Keys at the same time.



Figure 16: Remote Control Locked.

OPERATING INSTRUCTIONS

Low Battery Power Detection

Transmitter: The life span of the remote control batteries depends on various factors: quality of the batteries used, the number of ignitions of the appliance, the number of changes to the room thermostat set point, etc. When the Transmitter batteries are low, a Battery Icon will appear on the LCD display of the Transmitter (see Figure 17) before all battery power is lost. When the batteries are replaced this Icon will disappear.

IFC: The life span of the IFC batteries depends on various factors during a prolonged power outage: quality of the batteries used, the number of ignitions of the appliance, the number of changes to the room thermostat set point etc. When the IFC batteries are low, No "beep" will be emitted when it receives an On/Off command from the Transmitter. This is an alert for a low battery condition for the IFC. When the batteries are replaced the "beep" will be emitted from the Receiver when the ON/OFF Key is pressed (See INITIALIZING THE SYSTEM FOR THE FIRST TIME).



Figure 17: Low Battery Indicator.

Switching to Continuous Pilot Mode

When the fireplace is turned off press the mode key to index to the constant pilot (CPI) mode icon (see figure 6). Pressing the up arrow key will select Continuous Pilot Ignition (CPI) and pressing the down arrow key will return to IPI. Once a selection is made the IFC will beep once to confirm it had received the command. **NOTE: It is recommended to use the continuous pilot mode during the winter when the outside temperature is below 50°F (10°C) to keep the chimney properly heated for updraft during burner ignition.** Continuous pilot mode also keeps the firebox warm which eliminates both heat loss to cold air that is trapped inside the firebox as well as excessive exhaust vapour condensation on the door glass.

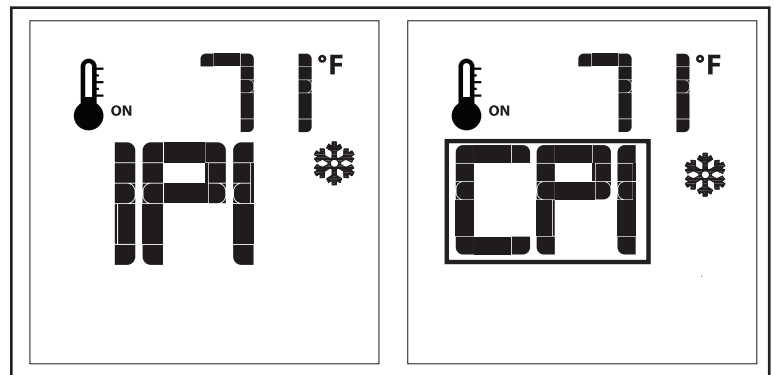


Figure 18: CPI Pilot Mode

NOTE: USE OF CPI PILOT MODE NOT PERMITTED IN BC OR AB

WARNING: Fire Hazard. Can cause severe injury or death. The IFC causes ignition of the appliance. The appliance can turn on suddenly. Keep away from the appliance burner when operating the remote system.

WARNING: Shock Hazard. Can cause severe injury or death. This device is powered by line voltage. Do not try to repair this device. In no way is the enclosure to be tampered with or opened. Disconnect from line voltage before performing any maintenance.

CAUTION: Property Damage Hazard. Excessive heat can cause property damage. The appliance can stay lit for many hours. Turn off the appliance if it is not going to be attended for any length of time. Always place the Transmitter where children cannot reach it.

MAINTENANCE AND SERVICE

Warning: Failure to position the parts in accordance with this manual, or failure to use only parts specifically approved with this appliance, may result in property damage or personal injury.

At least once a year, run through the following procedures to ensure the system is clean and working properly. Check the burner to see if all the ports are clear and clean. Check the pilot to make sure it is not blocked by anything. The pilot flame should be blue with little or no yellow on the tips.

The venting system must be periodically examined; it is recommended the examination is done by a qualified person.

CLEANING THE PAINTED SURFACES:

Painted surfaces should be periodically wiped with a damp cloth when the unit is cool.

GLASS DOOR REMOVAL:

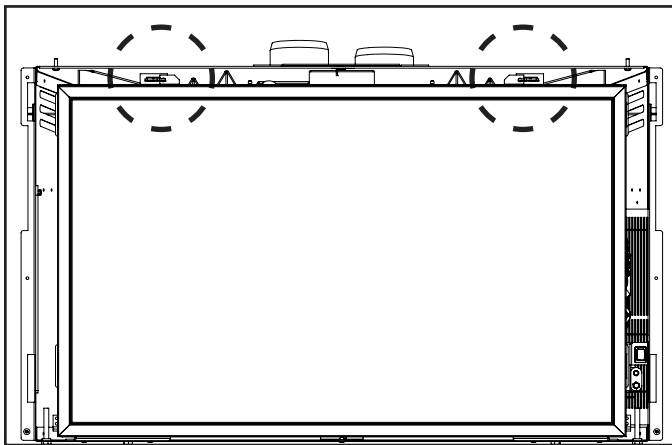


Figure 19-A: Door Spring Latch Locations

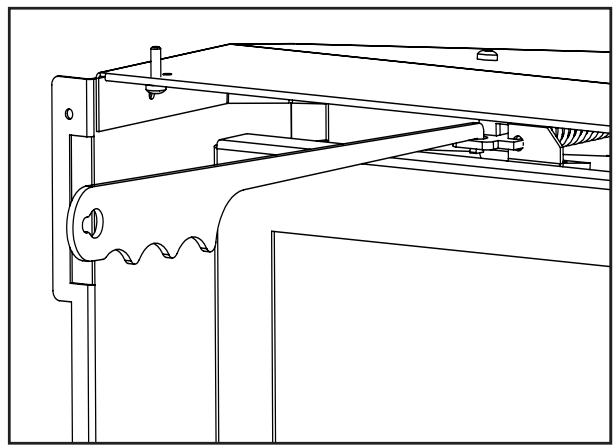


Figure 19-B: Door Latch Release.

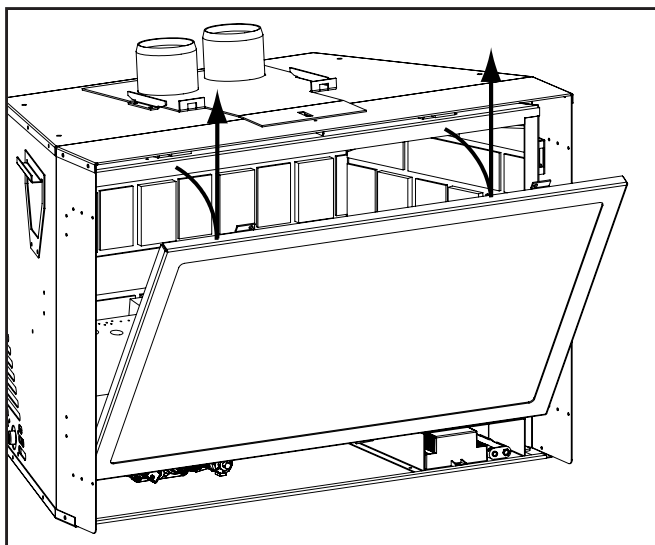


Figure 20: Door Removal

The glass door of the fireplace is retained at the top by two spring latches as shown in Figure 18. Release the latches by placing the hooked end of the door tool in the hole on the door latch mechanism (see Figures 19-A,B) and pulling the latch forward then out to the side. When the two (2) latches have been released, tilt the top of the door forward and lift up to remove the door (Figure 20). To re-install the glass door simply reverse the procedure.

Warning: Do not touch or attempt to remove the glass if the fireplace is not completely cool.
Never operate the fireplace with the glass removed.

CAUTION GLASS MAY SEPARATE FROM DOOR.

MAINTENANCE AND SERVICE

CLEANING THE GLASS:

When the fireplace is cool, remove the glass door. See MAINTENANCE AND SERVICE - GLASS DOOR REMOVAL. Check the gasket material on the back of the glass, making sure that it is attached and intact.

During a cold start up, condensation will form on the glass. This is a normal condition with all fireplaces. However, this condensation can allow dust and lint to cling to the glass surface. Initial paint curing of the appliance can leave a slight film on the glass. The glass will need cleaning after the fireplace has cooled off from the first burn and about two weeks after first burn. **Use a mild glass cleaner and a soft cloth. Abrasive cleaners will damage the glass and painted surfaces.** Depending on the amount of use, the glass should require cleaning no more than two or three times a season. **Do not clean the glass when it is hot.**

CLEANING THE FIREBOX:

Remove the logs carefully, as they are very fragile. Gently remove all the embers and rock wool and place on a paper towel. Vacuum the bottom of the firebox thoroughly. Carefully clean any dust off the logs and remove any lint from the burner and pilot. At this time, inspect the burner tube for cracking or severe warping. If a problem is suspected, contact the dealer. Check the logs for deterioration or large amounts of soot; a small amount on the logs is normal. Replace the logs and embers as in the SECONDARY INSTALLATION - LOG SET AND EMBER INSTALLATION section. If new/more embers and rock wool are required, contact your nearest ENVIRO dealer.

REPLACING THE GLASS:

The glass in the fireplace is a high temperature ceramic. If the glass is damaged in any way, a factory replacement is required (see PARTS LIST). Wear gloves when handling damaged glass door assembly to prevent personal injury. Do not operate with the glass front removed, cracked or broken. Removal and replacement of the glass from the door **must** be done by a licensed or qualified service person. **The glass must be purchased from an ENVIRO dealer. No substitute materials are allowed.** Remove the door (see page 16). The replacement glass will come with a new gasket installed. Remove any silicone remnants from the door. Apply high temperature silicone to the two vertical faces of the door and install the new piece of glass with gasket (be sure to maintain edge clearances). Apply even pressure to the glass to allow the silicone to adhere to the gasket material.

CHECK PILOT AND BURNER FLAMES:

Periodically do a visual check of the pilot flames. One flame should encompass the flame sensor and the other should burn over the burner ports (see Figure 24, page 21). Also check that the burner is operating correctly, refer to Venturi Adjustment section.

MAINTENANCE AND SERVICE

BURNER REMOVAL:

The burner may need to be removed for a few reasons, including cleaning under the burner, converting the unit to a different gas type, or to replace the burner altogether. Proceed only when the unit has completely cooled down.

1. Remove the glass door as shown in MAINTENANCE AND SERVICE - GLASS DOOR REMOVAL.
2. Carefully remove the log set and embers as shown in SECONDARY INSTALLATION - LOG SET INSTALLATION.
3. Remove the four log tray screws using a T20 screwdriver, then remove the log tray.
4. Unscrew the two rear burner screws using a T20 screwdriver.
5. Unscrew the front center burner bolt using a 5/32" Allen key.
6. Slide the burner to the left and then lift up to remove it.

To re-install the burner repeat the steps above in reverse.

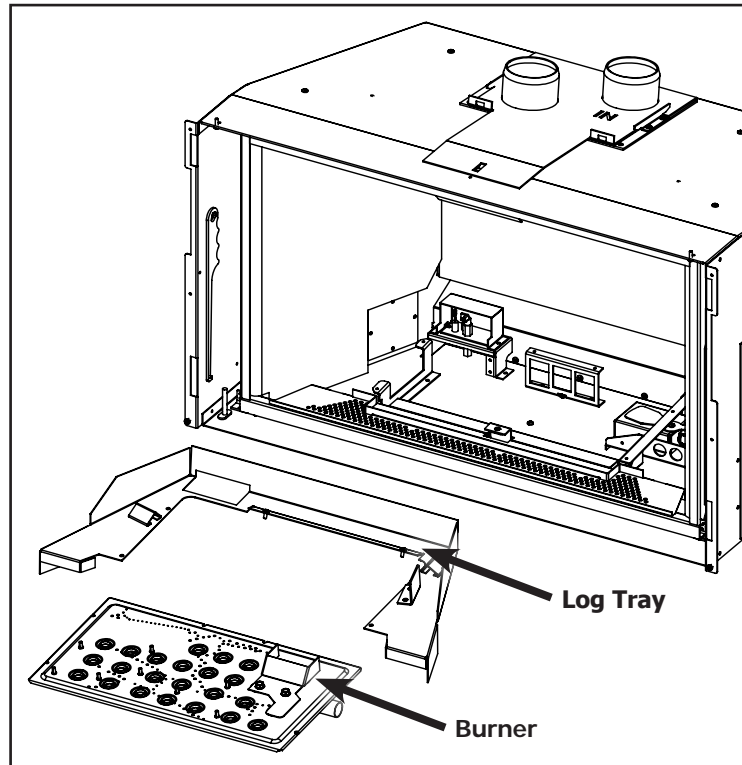


Figure 21: Burner Removal.

MAINTENANCE AND SERVICE

EMBER LIGHTS - BULB REPLACEMENT:

The front ember light assembly consists of 5 halogen bulbs. Over time, should one of these bulbs require replacement follow the steps below for the proper procedure. Proceed only when the fireplace has been turned off and has completely cooled down.

Note: Gloves should be worn to avoid skin contact with halogen bulb. Oil on the bulb from skin contact will greatly reduce the life span of the bulb.

1. Using the transmitter, turn off the ember lights (see page 13)
2. Remove the burner as outlined in MAINTENANCE AND SERVICE - BURNER REMOVAL.
3. Remove the light tray by simply lifting up and out.
4. Replace the burnt out bulb with the extra bulb supplied with the fireplace.
5. Use the transmitter to confirm all bulbs light up.
6. Re-install the light tray and burner.

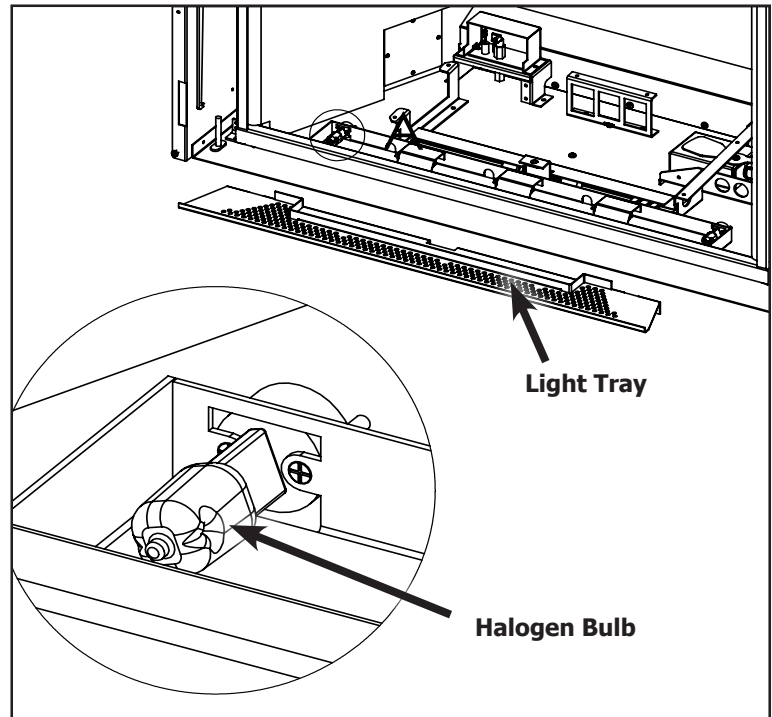


Figure 22: Burner Removal.

TOP LIGHT - BULB REPLACEMENT:

The top light assembly is screwed into the top of firebox, behind the baffle, and consists of a single halogen bulb behind a glass lens. Over time, dependant on the amount of use, the bulb may require replacement. Should this occur contact your local dealer for service.

MAINTENANCE AND SERVICE

FUEL CONVERSION:

TO BE INSTALLED BY A QUALIFIED SERVICE AGENCY ONLY

Please read and understand these instructions before installing.

Warning: This conversion kit shall be installed by a qualified service agency in accordance with the manufacturer's instructions and all applicable codes and requirements of the authority having jurisdiction. If the information in these instructions is not followed exactly, a fire, explosion or production of carbon monoxide may result causing property damage, personal injury or loss of life. The qualified service agency is responsible for the proper installation of this kit. The installation is not proper or complete until the operation of the converted appliance is checked as specified in the manufacturer's instructions supplied with the kit.

Kit Parts List for all EX32 models:

- | | |
|------------------------------------|------------------------------------|
| 1 - Orifice (NG: #37) or (LP: #52) | 1 - Servo Regulator with diaphragm |
| 1 - Installation instruction sheet | 2 - Conversion labels |

Carefully inspect all parts supplied with this conversion kit. If any parts have been damaged or are missing, contact your dealer, distributor or courier company to have them replaced before starting this installation.

Conversion Kit Installation:

1. Turn the unit off by pressing the ON/OFF Key on the remote and shut off gas supply at the shut-off valve upstream of the unit. CAUTION: The gas supply must be shut off prior to disconnecting the electrical power and before proceeding with the conversion. Allow the valve and unit to cool down to room temperature.
2. Remove the glass door as shown in the MAINTENANCE AND SERVICE - GLASS DOOR REMOVAL.
3. Carefully remove the log set.
4. Remove the burner as shown in MAINTENANCE AND SERVICE - BURNER REMOVAL.
5. Convert the pilot injector (see Figure 23):
 - a) Using a $\frac{7}{16}$ " wrench, turn the pilot head a $\frac{1}{4}$ turn counter-clockwise
 - b) Push the slider with your finger or flat head screwdriver
 - Natural Gas is marked NAT.
 - Propane gas is marked LP with an indicating hole between L and P. It is also marked red.
 - c) Turn the pilot head a $\frac{1}{4}$ turn clockwise back to its original position.
6. Convert the burner orifice:
 - a) Remove the main burner orifice with a $\frac{1}{2}$ " deep socket
 - b) Put a bead of pipe-thread sealant into the orifice mount. DO NOT OVER-TIGHTEN
 - c) Install new orifice.



Figure 23. Pilot Slider set to LP

MAINTENANCE AND SERVICE

7. Convert the SIT gas valve:
 - a) Use a T-20 driver to remove the two screws that hold the servo regulator to the gas valve and disconnect the wire harness from the IFC.
 - b) Remove the rubber regulator diaphragm that is situated between the servo regulator and the valve body. The new servo regulator already has this diaphragm installed.
 - c) Install the LP servo regulator, with the new longer T-20 screws included in the kit and connect the harness to the IFC.
8. Reinstall the burner, log set, and glass door. Also refer to SECONDARY INSTALLATION - LOG SET INSTALLATION in your Owner's Manual. When re-installing the burner, ensure that the burner to pilot hood and shield relationship is similar to what is shown in Figure 24.
9. Reconnect the main gas line if it was disconnected and open the shut-off valve at the gas line to the unit.
10. Reconnect the electrical power to the unit.

11. Use a small brush to apply a warm soapy water solution to all gas connections (use a half dish soap and half warm water). If a gas leak is present, bubbling will occur. Gas leaks can be repaired by using an approved pipe thread sealant or approved Teflon tape. **NEVER USE AN OPEN FLAME WHEN TESTING FOR LEAKS.**

12. Relight the pilot and confirm the flame properly covers the flame sensor (see Figure 24). Should the pilot require adjustment, turn the adjustment screw (figure 34, page 29) clockwise to decrease or counterclockwise to increase until the correct flame is achieved.

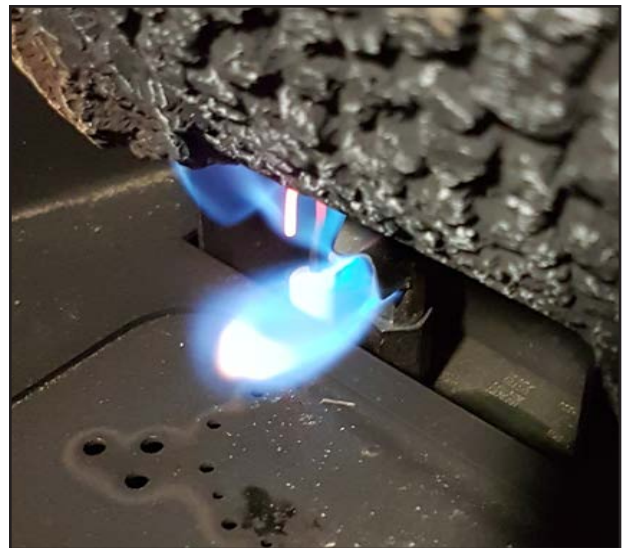


Figure 24. Correct Pilot

13. Relight the main burner in both the "MAX" and low positions to verify proper burner ignition, operation and proper flame appearance (figure 51, page 36). Confirm the inlet and manifold pressures are within the acceptable ranges as directed in section INTIAL INTALLATION - GAS LINE CONNECTION AND TESTING. **If the EX32 has been installed at an altitude higher than 2000ft (610m) it is required to de-rate the unit accordingly:**

In the USA: The appliance may be installed at higher altitudes. Please refer to your American Gas Association guidelines which state: the sea level rated input of Gas Designed Appliances installed at elevations above 2000 (610 m) feet is to be reduced 4% for each 1000 feet (305 m) above sea level. Refer also to local authorities or codes which have jurisdiction in your area regarding the de-rate guidelines.

In Canada: When the appliance is installed at elevations above 4500 feet (1372 m), the certified high altitude rating shall be reduced at the rate of 4% for each additional 1000 feet (305 m).

14. MAKE SURE that the conversion label is installed on or close to the rating label to signify that the unit has been converted to a different fuel type.

INITIAL INSTALLATION

WARNING: Operation of this heater when not connected to a properly installed and maintained venting system can result in carbon monoxide (CO) poisoning and possible death.

CLEARANCES TO COMBUSTIBLES:

Maintain sufficient clearances for operation, service and maintenance.

- A minimum distance of 21" (533 mm) is required from the centerline of the unit to the sidewalls.
- Minimum clearance for any combustible facing is 33" (762 mm) from the bottom of the unit.
- A 12" (305 mm) wide mantel can be mounted at a minimum height of 42" (107 cm) from the bottom of unit.
- If installed at floor level there must be a minimum of 9" (229 mm) of non-combustible material in front of the unit. Once unit is raised 2" (51 mm) or more no floor protection is required.
- Unit may be installed with combustible material underneath as long as it is raised 1/2" (13 mm) off the floor.
- Minimum ceiling clearance is 54" (137 cm) from bottom of unit.

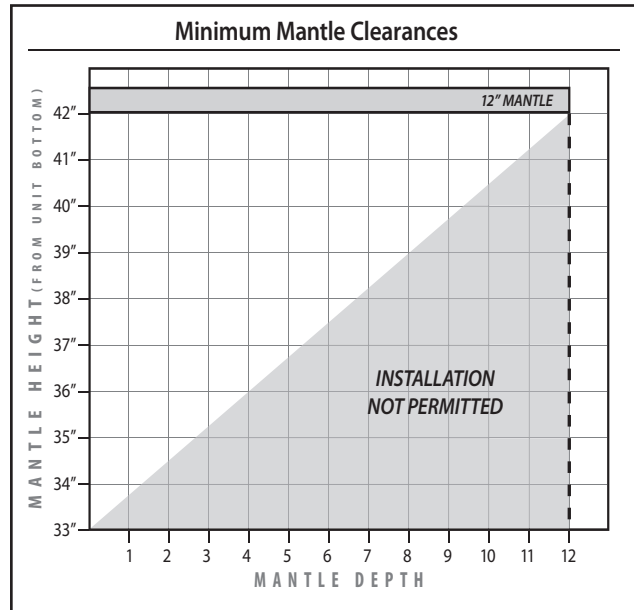


Figure 25: Mantle width and height.

MINIMUM FIREPLACE SIZE:

Table 5: Minimum dimensions of fireplace for EX32 to be installed into.

	Width At Front	Width At Back	Height	Depth
Fireplace Dimensions	28" (711 mm)	18 1/2" (470 mm)	20" (508 mm)	16" (406 mm)

NOTE: Space must be provided for gas line on right side of unit for servicing purposes.

VENTING:

WARNING: This appliance has been designed to draw room air for proper heat circulation from the sides and bottom of the unit, and out the top front. Blocking or modifying these openings in any way can create hazardous situations.

The vent length for the EX32 must be between 10ft (3.05 m) and 40ft (12.2 m).

The EX32 intake and exhaust must be connected to 3" dia. flexible venting, made of either aluminum or stainless steel, leading into a vertical termination cap. The flue collars of this model will fit inside of a standard 3" vent and must be fastened directly to the vent with three screws.. The exhaust vent and air intake are both located on the top of the unit.

Check periodically that the vents are unrestricted. Also ensure that all direct vent pipes have been properly sealed and installed after routine inspection or cleaning. The air intake and exhaust pipes must be installed in the correct locations on the top of the EX32.

INITIAL INSTALLATION

QUALIFIED INSTALLERS ONLY

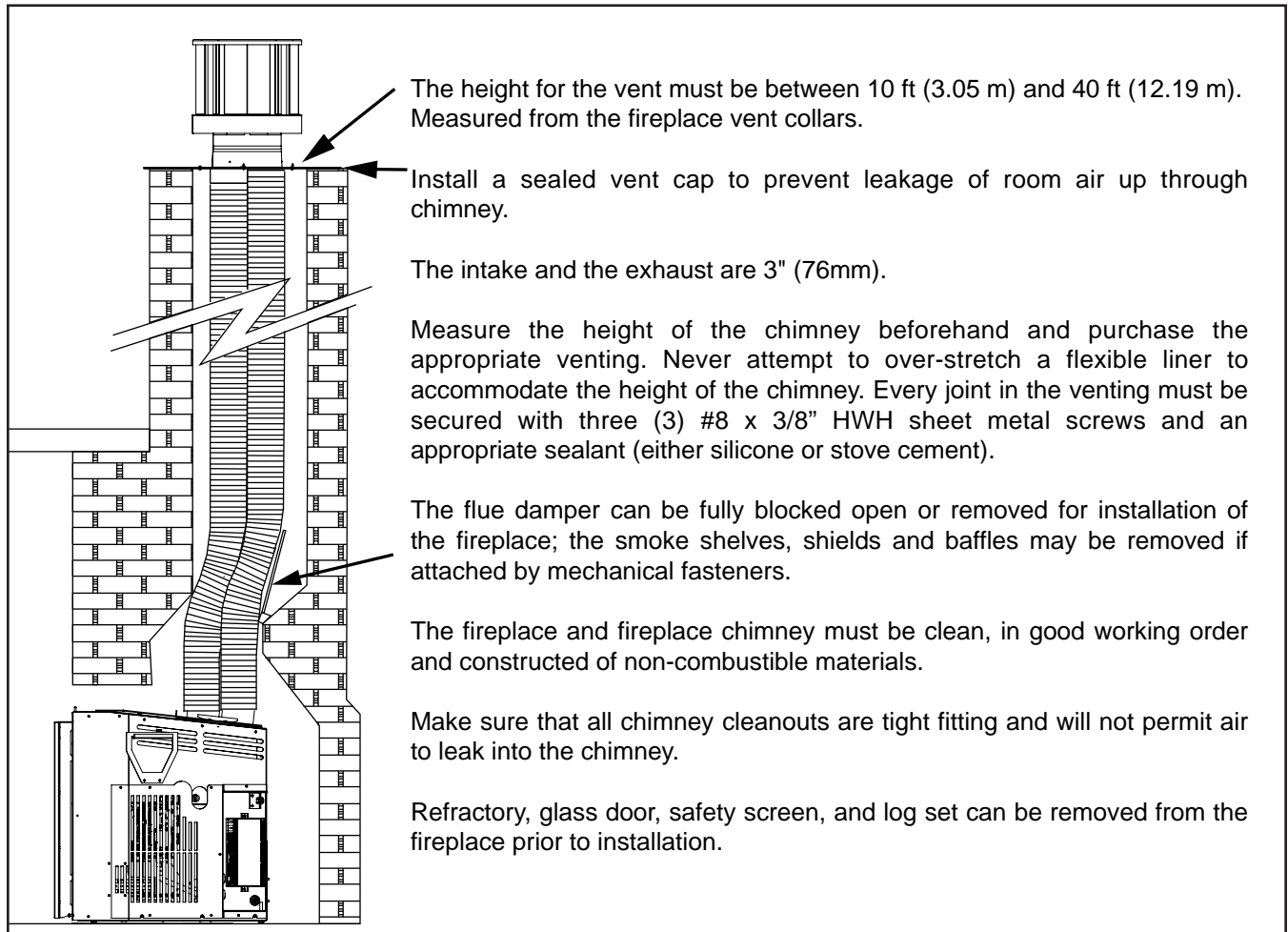


Figure 26: Installation of EX32

The **ENVIRO** EX32 may be installed and vented into any solid fuel fireplace that has been installed in accordance with the National, Provincial/State and local building codes and has been constructed of non-combustible materials. Please reference the information in Table 7 and Figure 28.

An approved chimney liner and rain cap must be used. A throat connector or flashing **must** be installed to ensure a tight seal, top performance, safety and efficiency. Carefully follow the manufacturer's instructions that accompany the chimney liner kit. Use double walled aluminum or stainless steel flex vent from any of the approved brands listed in table 7. If necessary, remove the vent collar plate from the top of the insert and connect it securely to the liner with sheet metal screws.

Check for any tears in the liner at this point. **IMPORTANT:** The screws that hold the vent collar plate in its approved position must be installed.

NOTE: If the EX32 unit is pulled out of its installation, and the vent air intake system is disconnected for any reason, ensure that the vent-air intake pipes are re-sealed with high-temperature sealant and reconnected with three (3) sheet metal screws evenly spaced.

INITIAL INSTALLATION

QUALIFIED INSTALLERS ONLY

EXHAUST RESTRICTOR:

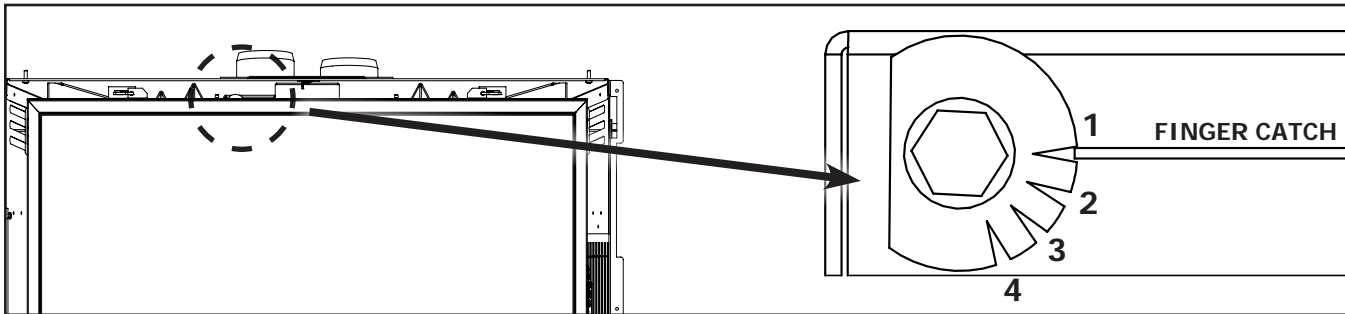


Figure 27: Exhaust Restrictor

This fireplace has an internal exhaust restrictor that can be adjusted externally while the fireplace is in operation. Depending on the length of venting required for installation, this may need to be adjusted. The restrictor is accessed from the front of the fireplace through the discharge opening as shown above. Using a 3/8" socket on a 10" long extension, rotate the restrictor COUNTER-CLOCKWISE until the required setting is in line with the finger catch. Refer to Table 5 for the required restrictor setting.

Note: The restrictor is set to setting #1 from the factory.

Table 6: Restrictor Settings

Vent Length	Restrictor Setting
10'-20' (3.05-6.1m)	1
20'-30' (6.1-9.1m)	2
30'-40' (9.1-12.2m)	3

INSTALLING THE EX32:

- Remove the crate and packaging from the appliance and check to make sure there is no damage. Carefully check the glass door. Do not use the unit if it is damaged. In the event damage is found, please report it to your dealer as soon as possible.
- Carefully clean the fireplace and flue before installing the stove. Failure to do so may result in fumes or soot being blown into the room and may cause a fire leading to death or serious injury.

INSTALLATION INSTRUCTIONS:

- Plan your installation and clearances to combustibles. The EX32 may be installed and vented into any solid fuel fireplace that has been installed in accordance with the National, Provincial/State and local building codes and has been constructed of non-combustible materials. Also refer CLEARANCES TO COMBUSTIBLES section.
- Remove door. See MAINTENANCE AND SERVICE - GLASS DOOR REMOVAL.

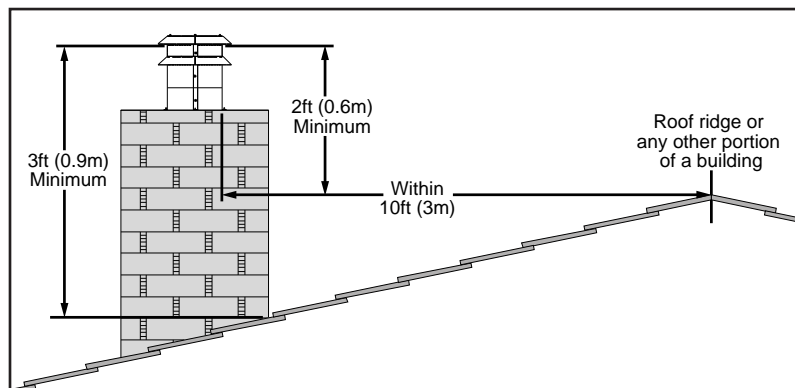


Figure 28: Roof Clearances.

- Remove packaged log set and all wrapping material from the stove. Remove wrapping material from the log set and check for any damage. If damage is observed, do not use unit and contact your local dealer.

INITIAL INSTALLATION

QUALIFIED INSTALLERS ONLY

Table 7: Vent termination clearances

Minimum Clearance*	Description
3 ft (0.9 m)	Clearance above the highest point where it passes through a roof surface, refer to Figure 23.
24 in (0.6 m)	Clearance above a roof ridge, any other portion of a building, or any other obstruction within a horizontal distance of 10 feet (3 m), refer to Figure 23.
6 ft (1.83 m)	Clearance to mechanical air supply inlet.
3ft (0.9m)	Clearance to each side of center line extended above meter/regulator assembly.
6 ft (1.83 m)	Radial clearance around service regulator vent outlet.
12 in (30 cm)	Clearance above grade, verandah, porch, deck, or balcony.
3 ft (0.9 m)	Clearance to a building opening or combustion air inlet of another appliance, except with the approval of the authority having jurisdiction for the following reduced clearances.
9 in (0.23 m)	Exception for inputs up to and including 50,000 Btu/h (15kW)
12 in (0.3 m)	Exception for inputs exceeding 50,000 Btu/h (15kW) but not exceeding 100,000 Btu/h (30kW)

*Clearances are in accordance with local installation codes and the requirements of the gas supplier

- Check that the chimney clean outs fit properly. The flue damper must be fully blocked open or removed for installation of the EX32; the smoke shelves, shields and baffles may be removed if attached by mechanical fasteners.
- Stretch the Ø3" (76mm) flex vent liners to the length needed to ensure they can be easily connected to the vent terminals.
- Install the flex pipe assembly up through the chimney, ensure that the pipe slides through far enough to connect onto the vent cap. Refer to table 8 to confirm the vent cap is approved for use.
- Most vent caps can be installed onto chimneys with flue openings up to 16" (406mm) x 16" (406mm) when the actual flashing is 16" x 16" or larger. If the chimney is smaller, the flashing should be trimmed down and folded over.
- Apply a bead of stove cement sealant to the Ø3" (76mm) pipe of the exhaust vent terminal. Slide the flex liner onto the vent terminal and secure with three (3) sheet metal screws evenly spaced.
- Place a bead of high temperature silicone on the intake collar of the vent terminal. Slide the Ø3" (76mm) flex intake liner over the collar, secure the flex liner with three (3) sheet metal screws evenly spaced. Secure the vent terminal to the chimney using adequate sealant, and according to local building codes.

Table 8: Approved Terminations & other parts

	ICC EXCELDirect	M&G DirectVent Pro	Z-Flex
Vertical Termination	TM-SVT*	46DVA-VCH*	See Liner Kit
	TM-IVT		
High-Wind Shield†	TM-SVTS	46DVA-VWG	
Flashing	TF-MFR	46DVA-GK	See Liner Kit
Co-Linear Adapter	TM-CTA		
35' Liner Kit	TM-ALK	46DVA-CL33	2DVI335X
35' Flex Pipe (1 pce.)	TC-øAL35	3DFA-35	

* Requires co-linear adapter

† Required when installed with minimum vent length

INITIAL INSTALLATION

QUALIFIED INSTALLERS ONLY

10. If the fireplace opening is lower than 24" (610 mm), remove the vent collar plate from the top of the insert by unlatching the hook located on the center top of the stove above the door opening (see Figure 29). Slide the collar plate backwards. Properly secure the vent collar plate to the flexible vent pipe liner(s) previously installed in the chimney. Be careful not to over-stretch the liner(s).
11. Apply a bead of stove cement sealant to the top section of the Ø3" (76mm) exhaust vent collar plate. Slide the Ø3" (76mm) flex vent over the flue collar and secure with three (3) sheet metal screws evenly spaced.

12. Place a bead of high temperature silicone on the intake collar of the fireplace, slide the Ø3" (76mm) flex intake liner over the collar, secure the flex liner with three (3) sheet metal screws evenly spaced.

13. Place the unit part way into the fireplace. Connect the gas line to the 3/8" NPT fitting on the right side of the unit using locally approved methods (see INITIAL INSTALLATION - GAS LINE CONNECTION). Route the power cord so it can be connected to the power supply.

14. As you push the unit into its final position in the fireplace, if the vent collar plate was removed, reinstall it on the stove by pulling it into the brackets on top using the supplied tool and latch it back in place (shown in Figure 30).

15. Adjust the levelling legs to ensure the unit is level and high enough if a base shelf and/or riser is to be installed. There are four levelling legs on the bottom of the unit (shown in Figure 31).

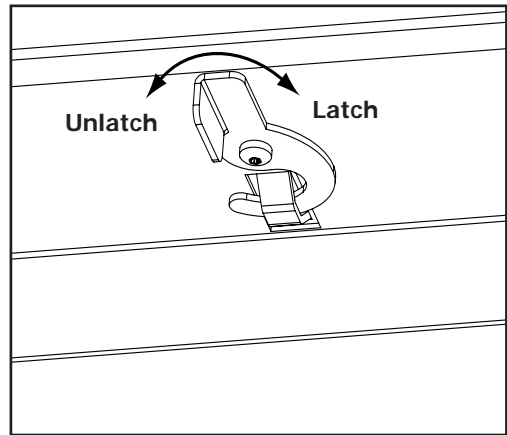


Figure 29: Vent Collar Plate Latch.

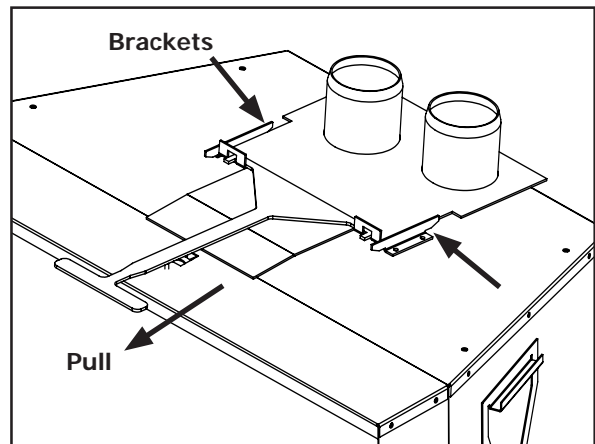


Figure 30: Vent Collar Plate Tool.

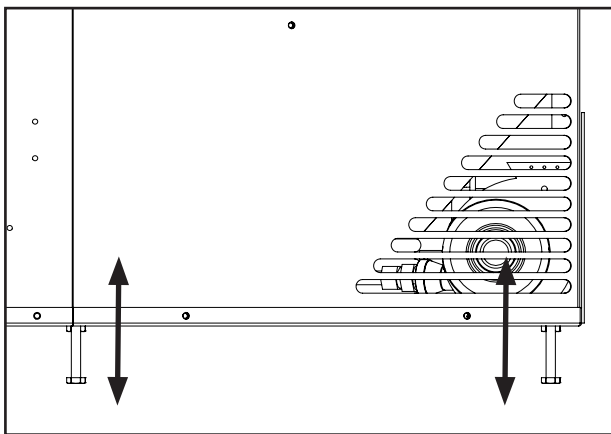


Figure 31: Levelling Legs Position.

INITIAL INSTALLATION

QUALIFIED INSTALLERS ONLY

ZERO CLEARANCE (ZC) FIREPLACE INSTALLATION:

The metal floor of the ZC solid fuel firebox can be removed to allow the installation of the insert. THE CLEARANCE TO COMBUSTIBLE MATERIAL UNDER THE INSERT IS 1/2" (13 mm). YOU MUST RAISE THE INSERT A MINIMUM OF 1/2" (13 mm) IF THE UNIT IS TO BE INSTALLED ON COMBUSTIBLE MATERIAL. The optional Base Shelf and Riser are recommended to fill the space under the unit once raised. The sidewalls and top structure of the solid fuel firebox cannot be altered with the exception of: removal of dampers, removal of smoke shelf or baffle, removal of ember catches, removal of log grate, removal of viewing screen/curtain, and removal of doors. THE ORIGINAL FIREPLACE MAY NEVER BE RETURNED TO SOLID FUEL USE IN THIS CONDITION.

IMPORTANT: If the factory-built fireplace has no gas access hole(s) provided, an access hole of 1.5 inch (37.5 mm) or less may be drilled through the lower sides or bottom of the firebox in a proper workmanship like manner. This access hole must be plugged with non-combustible insulation after the gas supply line has been installed. Cutting any sheet-metal parts of the fireplace, in which the gas fireplace insert is to be installed, except as tested for the floor is prohibited.

The included label plate shown below must be permanently attached inside the cavity of the fireplace in a visible location.

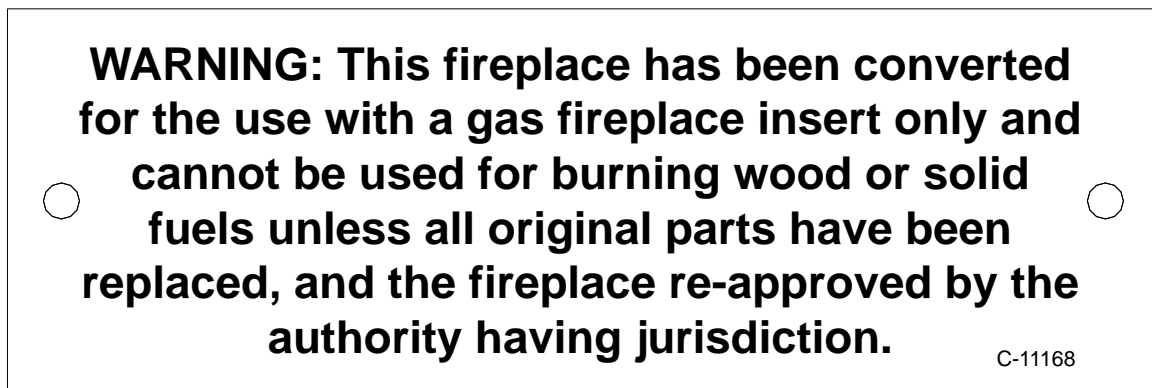


Figure 32: Fireplace Altered Plate.

ELECTRICAL REQUIREMENTS:

The fireplace must be electrically connected and grounded in accordance with local codes or, in the absence of local codes, with the current CSA C22.1 Canadian Electrical Code Part 1, Safety Standards For Electrical Installations, or The National Electrical Code ANSI / NFPA 70 in the US.

WARNING: The electrical grounding instructions must be followed. The fan kit is equipped with a three-prong (grounding) plug for your protection against shock hazard, and should be plugged directly into a properly grounded three-prong outlet. DO NOT cut or remove the grounding prong from this plug.

CAUTION: When servicing controls, label all wires prior to disconnection. Wiring errors can cause improper and dangerous operation. Verify proper operation after servicing.

If any of the original wire as supplied with the appliance must be replaced, it must be replaced with 18 AWG wire with a temperature rating of 105°C

INITIAL INSTALLATION

QUALIFIED INSTALLERS ONLY

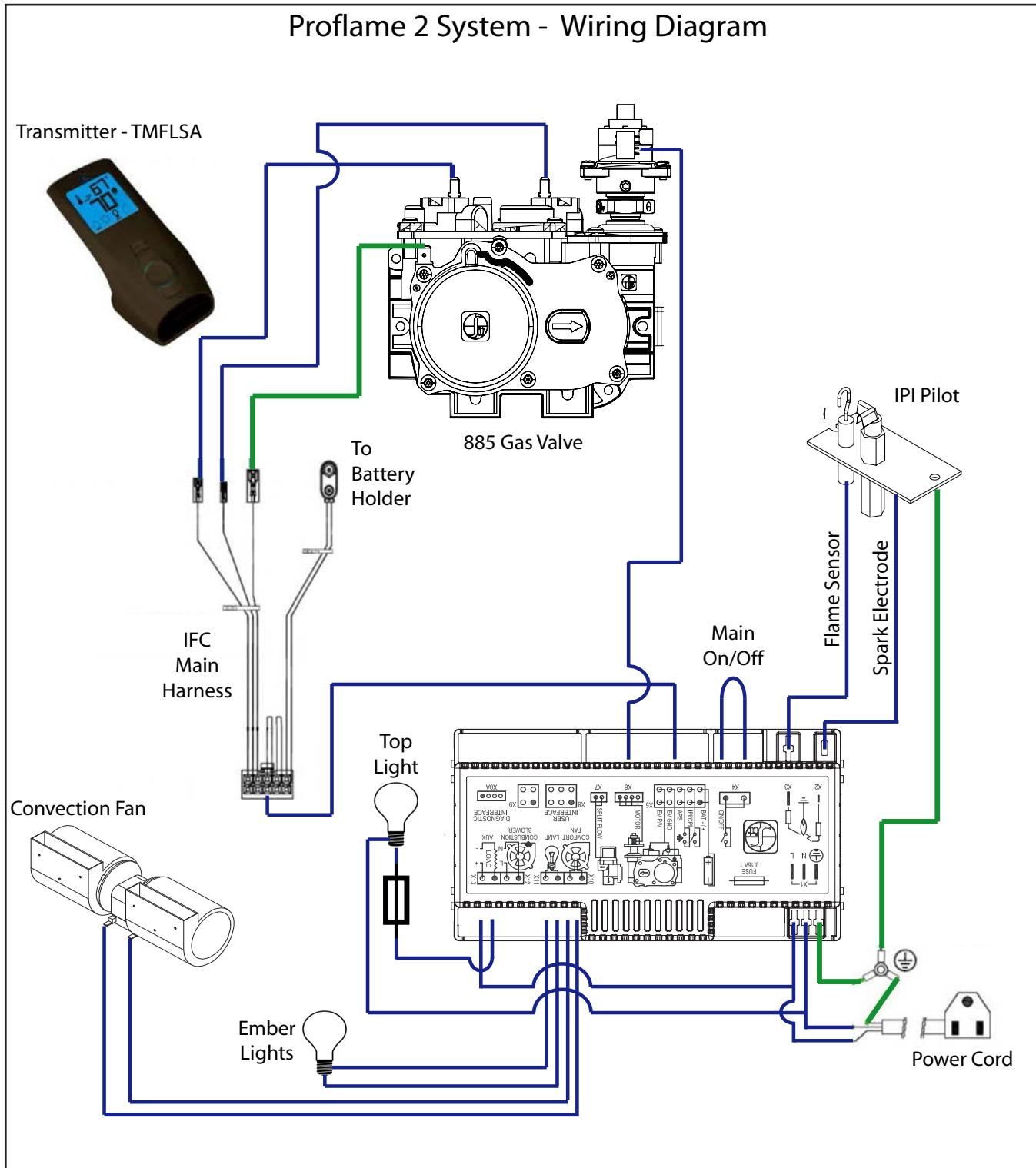


Figure 33: Wiring Schematic.

INITIAL INSTALLATION

QUALIFIED INSTALLERS ONLY

GAS LINE CONNECTION:

WARNING: Only persons licensed to work with gas piping may make the necessary gas connections to this appliance.

Gas Line Connection:

- Prior to installation consult your local authorities codes or the CAN/CGA B 149 (1 or 2) installation code in Canada, or in the USA gas installations follow either local codes or the current edition of the National Fuel Gas Code ANSI Z223.1.

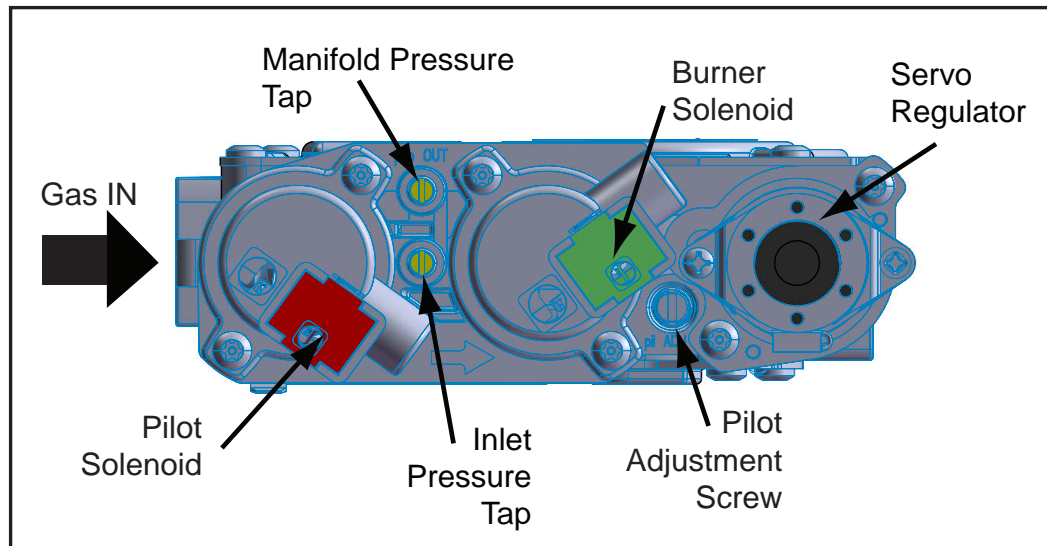


Figure 34: Fully Labeled Gas Valve.

The appliance must be disconnected from the gas supply piping system during any pressure testing where the pressure exceeds ½ PSIG (3.45 KPa) or damage will occur to the valve. The appliance must be isolated from the gas supply piping system by closing its individual manual shutoff valve during any pressure testing of the gas supply piping system at test pressures equal to or less than ½ psig (3.45 KPa).

Always check for gas leaks with a soap and water solution after completing the required pressure test.

TO TEST VALVE PRESSURES

The pressure taps are located on the valve shown in Figure 34.

- Turn set screw 1 turn counter clockwise to loosen,
- Place 5/16" (8 mm) I.D. hose over pressure tap system.
- Check pressures using a manometer.
- When finished, release pressure, remove hose & tighten set screw.

INITIAL INSTALLATION

QUALIFIED INSTALLERS ONLY

Table 9: Orifice and Pressure Information.

EX32 With Log Set & Proflame Valve

Main Burner	Natural Gas	Propane Gas
Orifice:	#37 DMS	#52 DMS
Max. Manifold Press:	3.6 W.C. (0.89 KPa)	10.0" W.C. (2.49 KPa)
Min. Manifold Press:	1.6 W.C. (0.40 KPa)	6.4" W.C. (1.59 KPa)
Max. Supply Press:	7.0" W.C. (1.74 KPa)	11.0" W.C. (2.74 KPa)
Min. Supply Press:	4.5" W.C. (1.12 KPa)	10.4" W.C. (2.59 KPa)
Max. Input:	32,500 BTU/hr (9.52 KW)	31,000 BTU/hr (9.08 KW)
Min. Input:	21,000 BTU/hr (6.15 KW)	24,500 BTU/hr (7.18 KW)

NEVER USE AN OPEN FLAME FOR LEAK TESTING.

ADJUSTING THE PILOT FLAME:

The pilot flow adjustment is set to maximum at the factory and should not need to be adjusted. The pilot flame should envelope $\frac{3}{8}$ " to $\frac{1}{2}$ " (10 to 13mm) of the Flame sensor (see Figure 35). However, should the need arise, follow Steps 1- 2 below.

1. The adjustment screw can be reached through the front of the unit using a 10 inch long blade head screw driver (see Figure 34 for location on valve).
2. Turn the adjustment screw clockwise to decrease or counterclockwise to increase pilot flame.

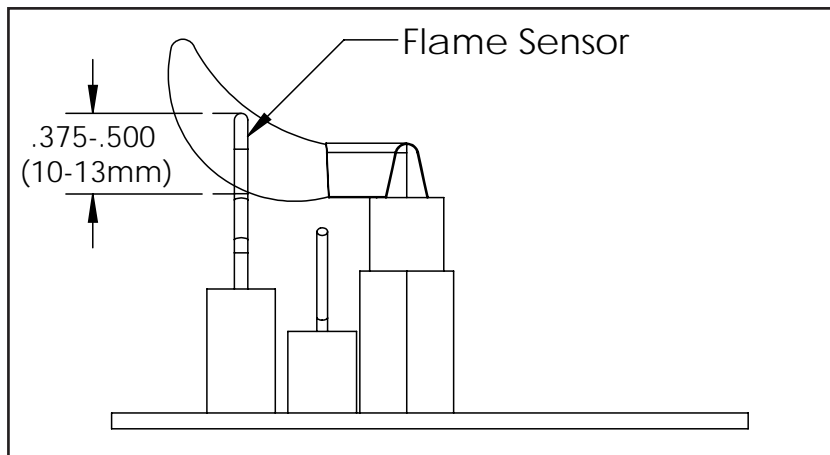


Figure 35: Proper Pilot Flame.

SECONDARY INSTALLATION

OPTIONAL BASE SHELF & RISER:

The optional Base Shelf (1⁵/₈" (41 mm) high) and Base Shelf Riser (2¹/₈" (54 mm) high) are components that can be combined to create a riser with an overall height of 2³/₁₆" (55 mm). This shelf can be installed with or without the riser and can be used when the hearth in front of the unit is lower than the fireplace opening. Additional Base Shelf Risers can be fastened together to increase the height in increments of 2¹/₈" (54 mm). This Base Shelf may be used in conjunction with the any surround panel options (excluding 4-sided), and it may also be used with the trimmable Surround. The Base Shelf and Riser are sold separately.

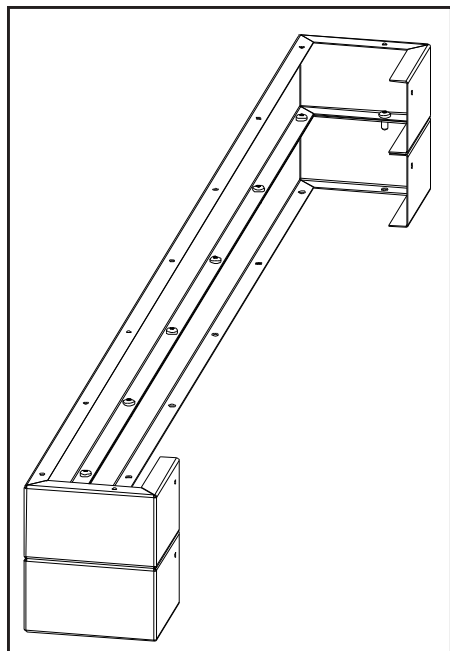


Figure 36: Combining 2 Base Shelf Riser.

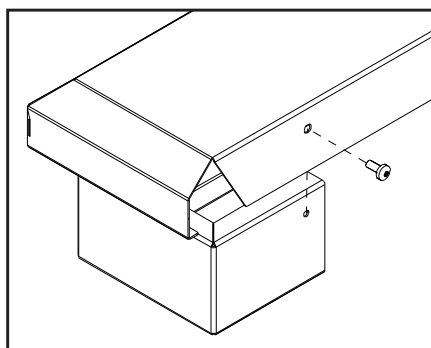


Figure 37: Installing Base Shelf onto Riser.

Installation:

1. If unit is running, turn it off and allow it to cool completely.
2. When using more than one riser each level must be attached using nine (9) #8 T-20 screws provided (see Figure 36).
3. If installing with riser(s) the Base Shelf is to be fastened to the riser(s) with one T-20 screw at each end of the back (see Figure 37).
4. The leveling legs may need to be adjusted to match the height of the riser and shelf.
5. Center the Base Shelf assembly in front of the unit flush with the bottom of the unit.
6. Install surround if required.

SECONDARY INSTALLATION

SURROUND PANEL INSTALLATION:

WARNING: The surround becomes hot when the unit is operating; ensure that the unit is turned off, and that it has cooled to room temperature before beginning this installation.

	Height	Width
3-Sided Surround	25" (635 mm)	39 7/8" (1013 mm)
4-Sided Surround	31 1/2" (800 mm)	39 7/8" (1013 mm)

Table 10: Surround Dimensions.

Please check components supplied with this kit. If components are missing or have been damaged, contact your dealer, distributor or courier company before starting this installation.

IMPORTANT: The panel must not seal ventilation openings in the fireplace.

INSTALLATION (3 and 4 sided Surrounds):

Lift the face upright in front of the fireplace with the four hooks pointing towards the fireplace. Slide the hooks over their corresponding screws (see Figures 38 & 39). Ensure the hooks are secure before releasing the surround. The surround should be wiped with a damp cloth periodically. Screws can be tightened for a more permanent install.

REMOVAL:

Lift the surround straight up in order to unhook the notch on the hooks from the screws. Pull the surround away from the fireplace. Place the surround where it will not be damaged.

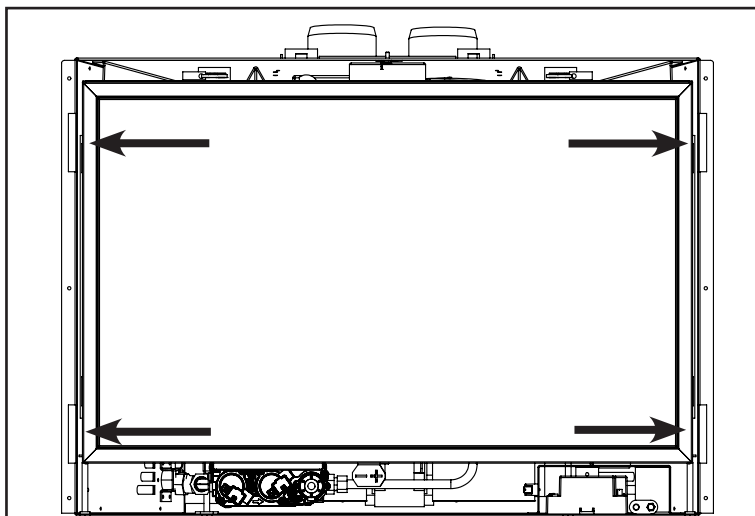


Figure 38: Screw Locations.

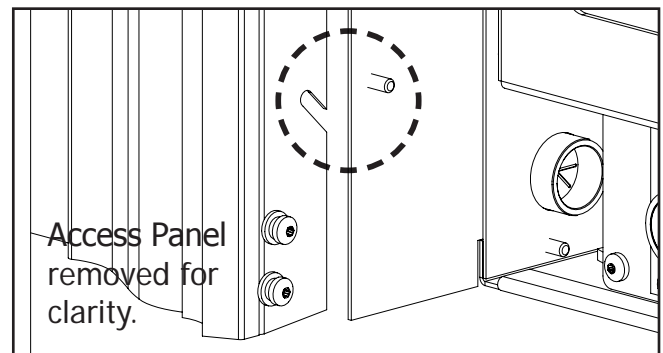


Figure 39: Screw and Hook Close-Up.

Burner Switch Blank INSTALLATION:

The burner switch supplied with the surround comes pre-installed and wired. This fireplace doesn't require a burner switch and it can be removed from the surround. Use the black switch blank supplied with the fireplace manual to fill the hole in the surround panel where burner switch was for a cleaner appearance.

CLEANING:

NEVER CLEAN FACES WHEN THEY ARE HOT. Turn off fireplace and allow to fully cool.

Painted surfaces should be periodically wiped with a damp cloth. Plated surfaces must be free of fingerprints and smudges prior to installation and should be cleaned with a clean soft rag and a small amount of Isopropyl alcohol.

SECONDARY INSTALLATION

OPTIONAL 3 AND 4 SIDED TRIMMABLE PANELS:

Modifying the Surround Panel:

Trimmable Surround Panels are large rectangular panels that may be cut for use in cases that a non-standard fireplace opening (e.g. an arched opening) is to be filled. Optionally this surround can be left uncut and placed in front of the fireplace opening.

1. Measure the fireplace opening and/or make a template of the fireplace opening.
2. Transfer the measurement to the Trimmable Surround.
3. If desired, offset the measurements by approximately $\frac{1}{8}$ " (3mm) to the inside; this will allow for the panel to be placed just inside the fireplace opening for a cleaner appearance.
4. Cut along the preferred line (from direct measurements of offset) and remove any sharp edges.
5. The panel can be touched up with a high temperature metallic black paint available from your dealer.

INSTALLATION:

1. Install the two Trimmable Panel brackets onto the unit using a T-20 Torx screwdriver. See Figures 40-44. for the screw installation locations. There are three sets of hole patterns on cabinet side depending on which Surround Panel is being installed. See Figures 42 and 43.

NOTE: The Extruded and Contemporary Surround Panels use the same holes for mounting the Side Cabinet Extensions. The Regular Surround Panel uses its own set of holes.

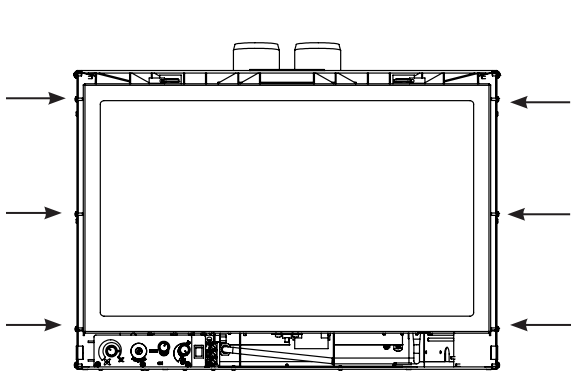


Figure 40: Screw Installation Locations.

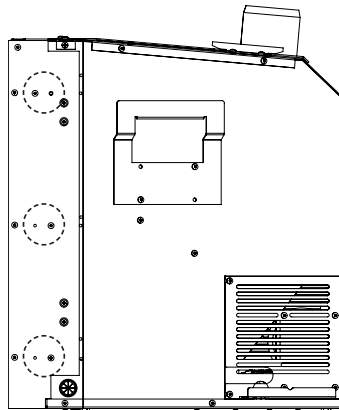


Figure 41: Screw Installation Locations.

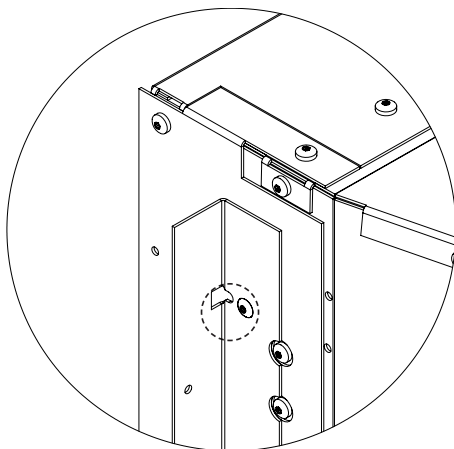


Figure 42: Installation for Contemporary and Extruded Surround.

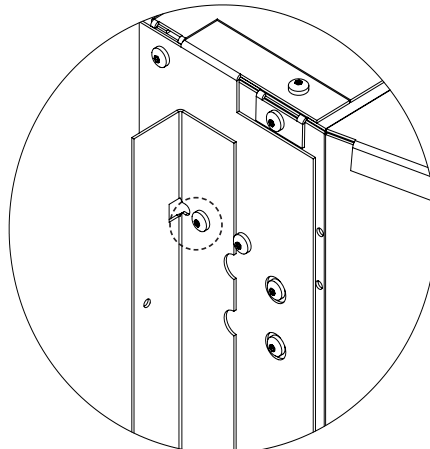


Figure 43: Installation for Regular Surround.

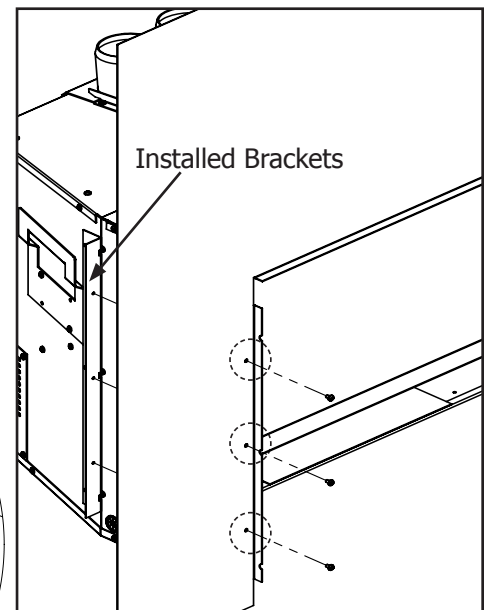


Figure 44: Screw Installation Locations.

SECONDARY INSTALLATION

LOG SET INSTALLATION:

The placement of the logs is not arbitrary. If they are positioned incorrectly, the flames can be “pinched” and will not burn correctly. All of the logs come with either a drilled hole or notch to make alignment easier. Using the pictures provided, carefully set the logs in place (see Figures 45 through 51).

NOTE: The logs are fragile and should be handled gently.

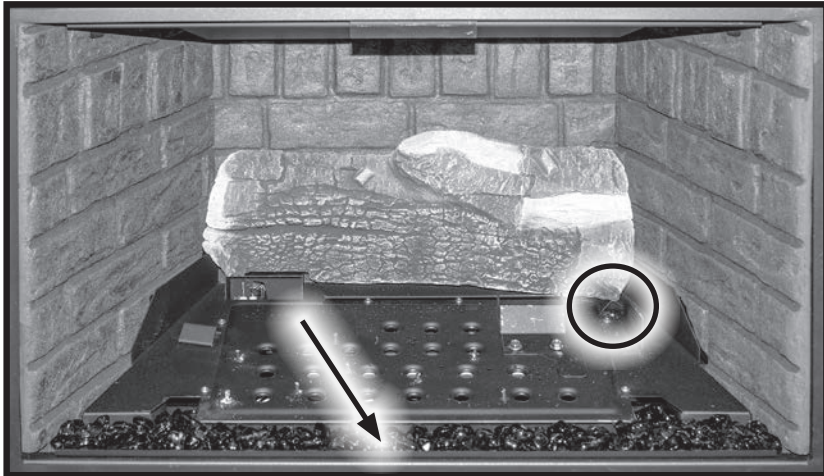


Figure 45. Back Log and Ember Glass.



Figure 46. Rear Ember Logs.

that sits on a corresponding pin on the burner. The opposite ends of the logs will rest on metal supports. Push the ends towards the back of the firebox until they contact the back log

4. Next, Install the front two flat bottommed logs on the burner, as shown in Figure 47. Both logs have two drilled holes on the bottom that sit on the matching burner pins.

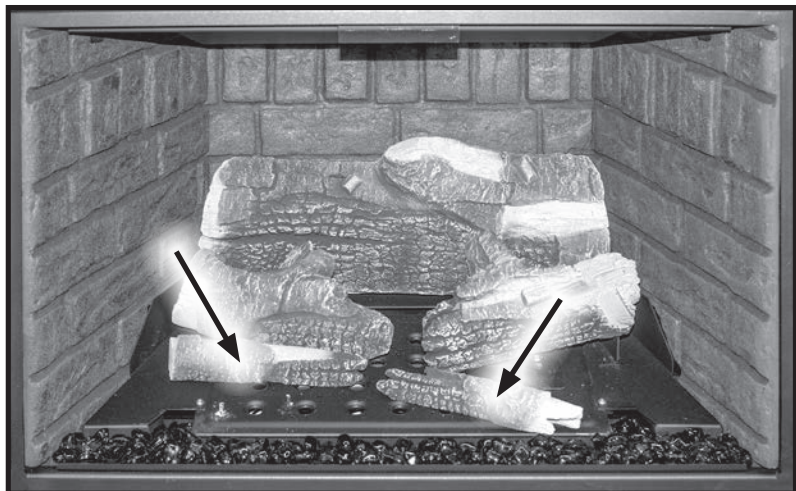


Figure 47. Front Ember Logs.

Please ensure that there is no damage to the log set and all 9 pieces are included prior to installation.

To Install Log Set:

1. Remove the safety screen from the unit. Then remove the glass door by releasing the top spring latches using the provided door tool.
2. Next, install the back log, as shown in Figure 45, and position it all the way to the right. The right front corner will rest on the triangle support when installed correctly. Then fill the front ember tray with the supplied glass media. Save a few pieces for the end of the setup.
3. Install the two large flat bottommed logs in the middle of the ember bed as shown in Figure 46. Both logs have a hole drilled in the bottom

SECONDARY INSTALLATION

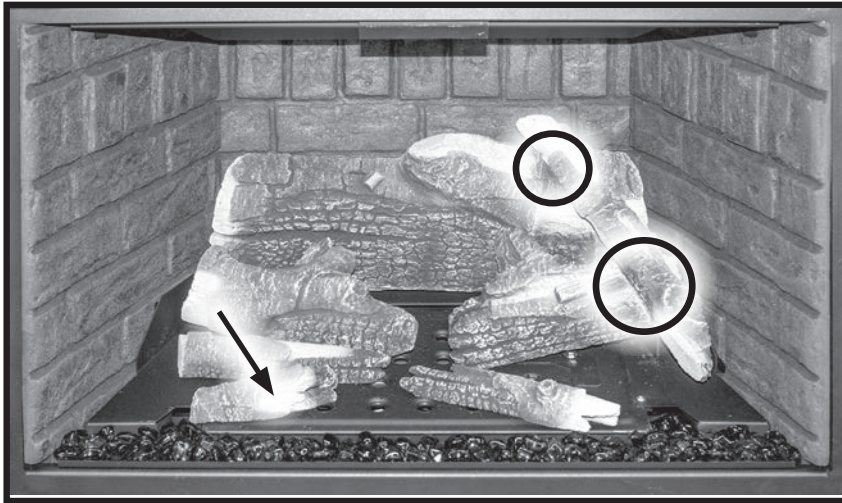


Figure 48. Final Ember Log & First Right Top Log.

6. Next, Install the left and second right top log, as shown in Figure 49. Note the locating notches on the bottom side of both logs (areas highlighted). The opposite ends will rest on the ember tray as shown.



Figure 49. Left and Second Right Top Logs.



Figure 50. Nuggets and Ember Wool.

5. Install the final ember log, as shown in Figure 48, by locating the drilled holes on the burner pins. Then install the first right top log by sitting the depression on the bottom side onto the half-round on top of the back log. The opposite end of the log sits into the notch on top of the right ember log.

7. Finally, use the supplied ember nuggets, wool, and remaining glass media to decorate the burner and ember tray as shown. Avoid covering the burner ports and rear air supply (highlighted) as this will greatly affect the appearance of the flame.

TIP: While the glass is still removed, it is recommended that the gas line be purged by lighting the pilot.

SECONDARY INSTALLATION



Figure 51. Proper Installation & Flame Appearance

8. Re-install the firebox door, then the safety screen.
9. Run the unit for 15 minutes then adjust the venturi as needed using the door tool. Figure 51 above depicts what the burn and flame appearance should look like when the log set is properly installed and venturi adjusted.

When re-lighting the fireplace for the first time since the log set has been installed/replaced, watch for ignition at ALL the burner ports. If a long delay is noticed, turn the appliance off and wait for it to cool down. Then remove the glass and make sure none of the burner ports are blocked.

Maintenance: Once a year, the logs should be removed and checked for deterioration or large amounts of soot. A small amount on the bottom side of the logs is normal. Remove and replace the logs in the same manner described above.

If new logs are required, contact your nearest ENVIRO dealer.

Never operate the fireplace with the glass door removed.

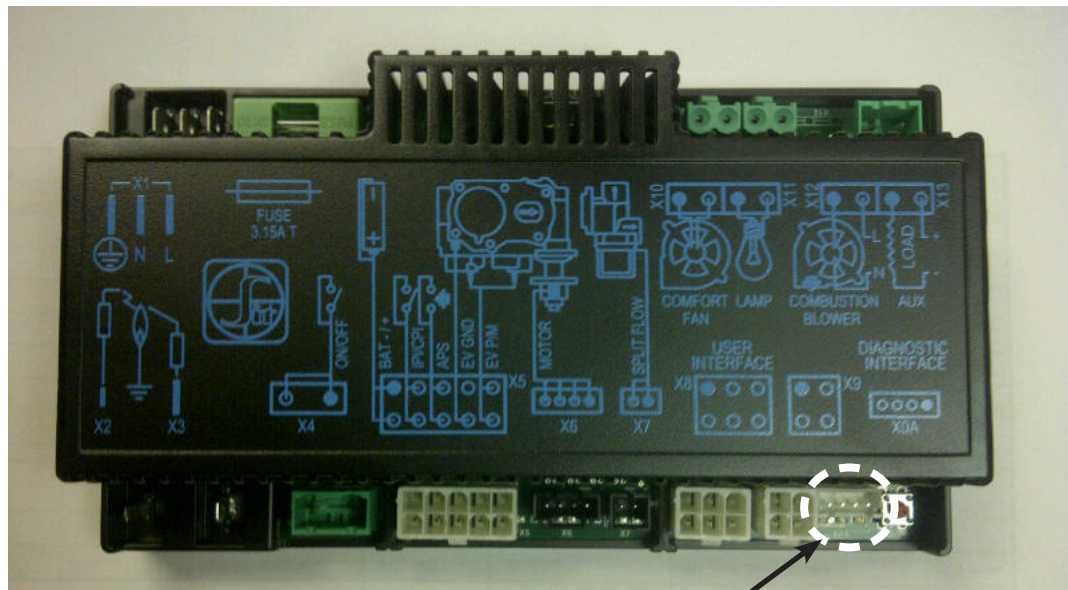
TROUBLESHOOTING

DIAGNOSTIC FLASH CODES:

1. Fail to ignite: If there is no positive ignition, the board will go into lock out and the LED will blink 3 times in intervals until the system is reset.
2. Low battery condition (<4V): the LED indicator will blink one (1) time in intervals.
3. Parasitic Pilot Flame: the LED indicator will blink two (2) times in intervals.
4. System Lock out: the LED indicator will blink three (3) times in intervals.

Additional Ignition Information

1. The Proflame2 IFC will try two (2) times for ignition.
2. Each try for ignition will last approximately 60 seconds.
3. The wait time between the two tries is approximately 35 seconds.



LED Location

Figure 52: IFC LED Location

TROUBLESHOOTING

Problem	Possible Cause	Solution
Thermostat does not work	The pilot flame has gone out	· Turn it ON
	The On/Off switch is turn to OFF	
	The thermostat is set too high	· Set the thermostat to a lower temperature
No spark generation	Spark develops near the pilot assembly or could occur onboard	· Check pilot assembly wiring
		· Check for broken or poor connection from the sparker to the electrode
		· Check for the spark shorting or arcing at other locations
		· Check for defective sparker and spark electrode
No pilot flame ignition	No spark from the igniter	· See "no spark generation"
	Air in the gas line	· It takes a while for all the air to purge out of the pilot before gas can reach the pilot and ignite
	Pilot gas pressure dropout upon main burner gas valve opening	· Check gas mains supply and pressure
	No gas flow out of the pilot burner	· Check gas valve wirings and connections to the board
		· Check the pilot burner for obstruction
· Check the wirings and connections between the pilot assembly and the board		
Pilot will not remain lit	Problem with Flame Sensor circuit	· Check for proper connection of the Flame Sensor to the IFC board
		· Check pilot for full flame impingement around Flame Sensor
		· If flame is too small, check gas pressure, adjust pilot rate screw, check pilot head for damage
		· Ensure the ground wire is properly attached to the pilot mounting bracket and that it is makes a good electrical connection.
	Restrictor setting	· Use the correct restrictor setting for the venting configuration
Remote control (transmitter) does not work	The pilot light has gone out	· See "Pilot will not remain lit"
	The transmitter is too far away from the heater	· Use the transmitter to the heater
	The transmitter batteries are dead	· Replace the batteries
No reaction to command	Transmitter batteries are low	· Replace the batteries
	A maximum number of failed ignitions or flame restorations have been reached.	· Remove any possible blocking conditions. See "locking conditions"
		· See how to reset the board from Lockout
No communication between the remote control and the receiver	No communication between the remote control and the receiver	· Reprogram the transmitter to the receiver.
		· Follow the initializing system for the first time

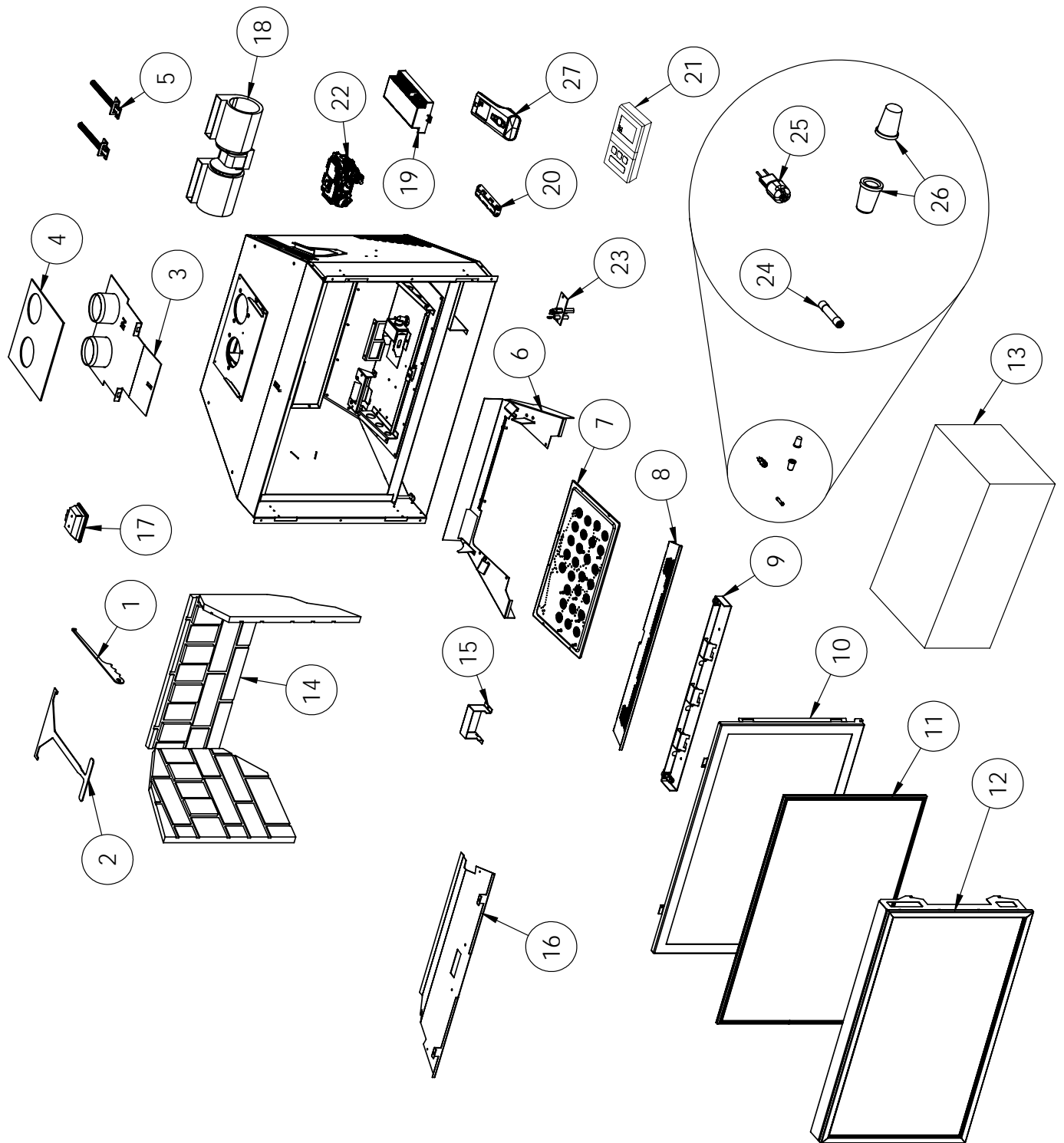
TROUBLESHOOTING

Problem	Possible Cause	Solution
Locking conditions	Reset the Proflame IFC board	· Turn the system off by pressing the ON/OFF button on the transmitter
		· After approximately 2 seconds press the ON/OFF button on the transmitter again.
		· In the manual flame control mode, use the down arrow button to reduce the flame to off, indicated by the word OFF displayed on the transmitter LCD screen.
		· Wait approximately 2 seconds and press the up arrow button, the ignition sequence will start.
		· With the transmitter off, disconnect main power from stove for a few seconds then re-connect power.
		· Wait approximately 2 seconds and press the Reset button on the IFC
Main burners will not start	The pilot flame has gone out	· See "Pilot will not remain lit"
	The remote control is not working correctly	· Replace the batteries
	The thermostat is set too high	· Set the thermostat to a lower temperature
Flame lifting	Leak in vent pipe	· Check for leaks in vent connections
	Improper vent configuration	· Check vent configuration with manual
	Terminal may be re-circulating flue gases	· Check to see if terminal is on correctly
		· May need to install high wind termination cap. · Contact dealer
Blue Flames	The heater has just been started	· Normal during start up: flame will yellow as the fireplace heats up
	Improper air shutter adjustment	· Adjust air shutter – contact your dealer
Glass fogs up	Normal condition: after the appliance warms up the glass will be clear.	**Due to additives in gas, glass may get hazy during operation** Clean as needed.
Flames are burning "dirty" or sooting	The logs or glasses are placed incorrectly	· Check log positioning
		· Check level of glasses layout
	Improper air shutter adjustment	· Increase primary air by opening the air shutter and/or by opening the vent restrictor
		· Check for proper venting and blockage of the vent termination · See also "Burners will not remain lit"
Incorrect rating input	· Check manifold pressure and clock input rating for over-firing	

PARTS LIST

Reference Number	Part Description	Part Number
1	Door Release Tool	50-2510
2	Flue Adapter Tool	50-3505
3	EX32 Flue Adaptor	50-3521
4	EX32 Flue Adaptor Gasket	50-3522
5	Door Spring Latches (set of 2)	50-2507
6	EX32 Log Tray Assembly	50-3523
7	EX32 Burner Pan	50-3524
8	EX32 Light Tray Cover	50-3525
9	EX32/EX35 Light Tray Assembly	50-3512
-	Halogen Socket w/ Wires	50-2028
10	EX32 Door Complete	50-3526
11	Glass C/W Gasket (26.25" x 16")	50-2506
-	Dual Bulb Door Gasket (10ft)	50-634
12	Safety Screen	50-3072
13	Log Set (9 Pcs.)	50-3502
14	Brick Liner Set	50-2509
-	Ledgstone Liner Set	50-2774
-	Porcelain Liner Set	50-2427
15	EX32/EX35 Pilot Shield	50-3514
16	EX32 Stainless Steel Baffle	50-3527
17	Top Light Assembly	50-3516
18	Fan Only	50-2493
19	Proflame 2 IFC (0.584.325)	50-3312
-	Proflame 2 IFC Wire Harnes (0.584.924)	50-3030
20	Battery Holder 4 x AA	50-3027
21	Proflame 2 Transmitter (0.584.045)	50-3028
22	885 Proflame IPI Valve NG	50-2682
23	PSE IPI Pilot Assembly	50-3026
24	2A Glass Fuse	50-2075
25	Replacement Halogen Bulb	50-3291
26	Ceramic Wire Nut (set of 2)	50-3517
27	Proflame 2 Transmitter (0.584.040)	50-3265
-	Power Cord (115V)	EC-042
-	Strain Relief	EC-044
-	EX32 Conversion Kit NG to LP	50-3503
-	EX32 Conversion Kit LP to NG	50-3546
-	Ceramic Wool Embers Only	50-893
-	12 oz. Can of Metallic Black Touch Up Paint	PAINT-12-MB

PARTS DIAGRAM - COMPONENTS



NOTES



Warranty for Enviro Gas Products

Sherwood Industries Ltd. ("Sherwood") hereby warrants, subject to the terms and conditions herein set forth, this product against defects in material and workmanship during the specified warranty period starting from the date of original purchase at retail. In the event of a defect of material or workmanship during the specified warranty period, Sherwood reserves the right to make repairs or to assess the replacement of a defective product at Sherwood's factory. The shipping costs are to be paid by the consumer. All warranties by Sherwood are set forth herein and no claim shall be made against Sherwood on any oral warranty or representation.

Conditions

- A completed warranty registration must be submitted to Sherwood within 90 days of original purchase via the online warranty registration page or via the mail-in warranty registration card provided. Have the installer fill in the installation data sheet in the back of the manual for warranty and future reference.
- This warranty applies only to the original owner in the original location from date of install.
- The unit must have been properly installed by a qualified technician or installer, and must meet all local and national building code requirements.
- The warranty does not cover removal and re-installation costs.
- Sherwood Industries Ltd. reserves the right to make changes without notice.
- Sherwood Industries Ltd. and its employees or representatives will not assume any damages, either directly or indirectly caused by improper usage, operation, installation, servicing or maintenance of this appliance.
- A proof of original purchase must be provided by you or the dealer including serial number.
- This warranty does not cover any discoloration of the safety screen mesh.

Exclusions

An expanded list of exclusions is available at www.enviro.com/help/warranty.html

This warranty does not cover:

- Damage as a result of improper usage or abuse.
- Damage caused from over-firing due to incorrect setup or tampering.
- Damage caused by incorrect installation.

To the Dealer

- Provide name, address and telephone number of purchaser and date of purchase.
- Provide date of purchase. Name of installer and dealer. Serial number of the appliance. Nature of complaint, defects or malfunction, description and part # of any parts replaced.
- Pictures or return of damaged or defective product may be required.

To the Distributor

- Sign and verify that work and information are correct.

Sherwood Industries Ltd.

6782 Oldfield Road, Victoria, BC . Canada V8M 2A3
 Online warranty registration: www.enviro.com/warranty/

Category	One Year	Two Year	Limited Lifetime (7yr)
Parts ^{1,2} (unit serial number required)		✓	
Firebox Liner Panels ³		✓	
Firebox			✓
Heat Exchanger			✓
Burner			✓
Ceramic Logs ⁴			✓
Ceramic Glass ⁵	✓		
Pedestal / Legs (excluding finish)			✓
Door Assembly			✓
Surround Panels (excluding finish)			✓
Exterior Panels (excluding finish)			Up to 5 years
Electrical Components		✓	
Exterior Surface Finishing	✓		
Labour	✓		

¹ Whereas warranty has expired, replacement parts will be warrantied for 90 days from part purchase date. Labour not included. Unit serial number required.

² 50-173 Westport Fan Kit covered for up to 5 years from purchase date. Labour not included. Unit serial required.

³ Excluding damage to the finish caused by improper setup of the appliance, or color changes.

⁴ Log set and panels excludes wear and tear or breakage caused by cleaning or service.

⁴ Glass is covered for thermal breakage. Photos of box, inside of door, and unit serial # must be supplied for breakage due to shipping.

⁶ Exterior Surface finishing covers plating, enamel or paint and excludes colour changes, chipping, and fingerprints. Travel costs not included.

INSTALLATION DATA SHEET

The following information must be recorded by the installer for warranty purposes and future reference.

NAME OF OWNER:

ADDRESS:

PHONE: _____

NAME OF DEALER:

ADDRESS:

PHONE: _____

MODEL: _____
SERIAL NUMBER: _____
DATE OF PURCHASE: _____ (dd/mm/yyyy)
DATE OF INSTALLATION: _____ (dd/mm/yyyy)
 DIRECT VENT
 NATURAL GAS (NAT) PROPANE(LPG)
INLET GAS PRESSURE: _____ in WC
MAIN BURNER ORIFICE: _____ # DMS
PILOT ORIFICE # _____ OR _____ in diam.
INSTALLER'S SIGNATURE:

NAME OF INSTALLER:

ADDRESS:

PHONE: _____

MANUFACTURED BY:
SHERWOOD INDUSTRIES LTD.
6782 OLDFIELD RD. SAANICHTON, BC, CANADA V8M 2A3
www.enviro.com
May 22, 2018
C-15090