

## Features

Easily convert from contemporary to traditional looks while using the same burner

Meets requirements for efficiency rebates

Field propane convertible

Convertible to 4/7

Convertible to co-linear

Mobile home compatible

# DELRAY

SQUARE

# SPECIFICATIONS AND FEATURES

### DELRAY FULL LOAD SQUARE

### DELRAY BASIC SQUARE

## DRSQ38 DRSQ38-2

Single sided  
Direct vent

#### QUICK DIMENSIONS

	DRSQ38	
	UNIT	FRAM.
F.WIDTH	38	40
B.WIDTH	20 <sup>3</sup> / <sub>8</sub>	40
HEIGHT	38	44 <sup>7</sup> / <sub>16</sub>
DEPTH	16 <sup>1</sup> / <sub>2</sub>	18
VIEWING	33 <sup>11</sup> / <sub>16</sub> x 22 <sup>7</sup> / <sub>8</sub>	

#### Standard

Concealed universal burner

Multi-function remote control

Remote controlled fans

Invisimesh screen

Battery backup

Halogen downlighting

#### Options

Heat management

Adjustable trim kit

Traditional logsets

Contemporary scenes

Traditional and contemporary liners

Propane conversion kit

Speckled stones, glass media

#### Standard

Concealed universal burner

#### Options

Heat management

Adjustable trim kit

Remote control

Fans

Invisimesh screen

Traditional and contemporary liners

Propane conversion kit

Battery backup

Traditional logsets

Contemporary scenes

Speckled stones, glass media



#### BTU LISTING

DRSQ38NI / 20,500  
DRSQ38LI / 16,500

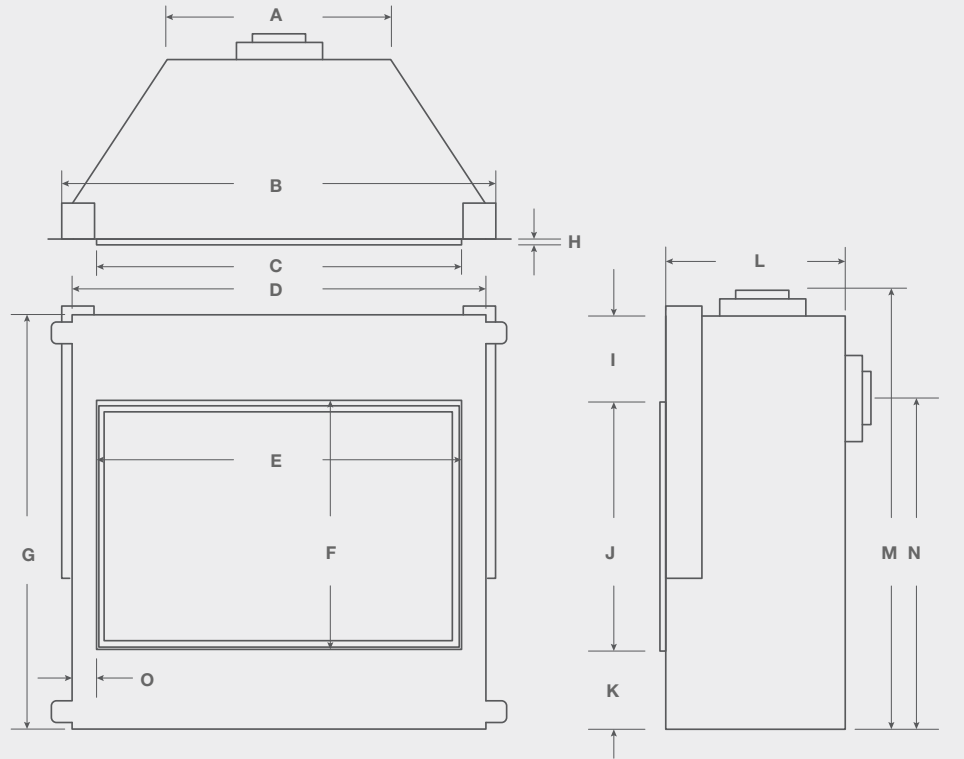
DRSQ38NI-2 / 24,000  
DRSQ38LI-2 / 19,500

#### EFFICIENCY

DRSQ38NI / 63% P.4. 1-15  
DRSQ38LI / 61% P.4. 1-15

DRSQ38NI-2 / 64% P.4. 1-15  
DRSQ38LI-2 / 61% P.4. 1-15

## DELRAY SQUARE DIMENSIONS



	A	B	C	D	E	F	G	H	I	J	K	L	M	N	O
DRSQ38	20 <sup>3</sup> / <sub>4</sub>	39 <sup>1</sup> / <sub>16</sub>	33 <sup>3</sup> / <sub>4</sub>	38	33 <sup>1</sup> / <sub>16</sub>	22 <sup>7</sup> / <sub>8</sub>	38	1/2	8 <sup>3</sup> / <sub>4</sub>	22 <sup>1</sup> / <sub>16</sub>	7 <sup>1</sup> / <sub>4</sub>	16 <sup>1</sup> / <sub>2</sub>	40 <sup>5</sup> / <sub>16</sub>	30 <sup>1</sup> / <sub>2</sub>	2 <sup>1</sup> / <sub>8</sub>



DELRAY / SQUARE / DRSQ38NI-2 / TWILIGHT SCENE



DELRAY / SQUARE / DRSQ38NI-2 / WINTER SCENE



REMOTE<sup>Δ</sup>  
RX200\*\*



WALL REMOTE<sup>†</sup>  
REC1493



DOWNLIGHTING<sup>Δ</sup>



TRADITIONAL  
LOGETS  
LGS\*\*38



CONTEMPORARY  
SCENES  
CS\*38



TRIM KIT  
DRSQT\*\*\*

<sup>Δ</sup> Standard on DRSQ38NI-2  
<sup>†</sup> Optional on DRSQ38NI-2 only

OPTIONS &  
FEATURES



GREY  
HERRINGBONE  
DRSQBK38GH



GREY  
LEDGESTONE  
DRSQBK38GL



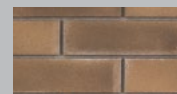
ASH FLUTED  
DRSQBK38AF



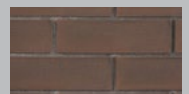
BLACK GLASS  
RBGDRSQ38



VINTAGE BRICK  
DRSQBK38VB



TAN BRICK  
DRSQBK38TB



RED BRICK  
DRSQBK38RB

LINERS

# Cool Wall Advantage

Diverting heat away from the wall, keeping your TV or artwork safe



## TV kits include

Louver

Plenum

Collars

Requires flex venting

## TV KIT CODES

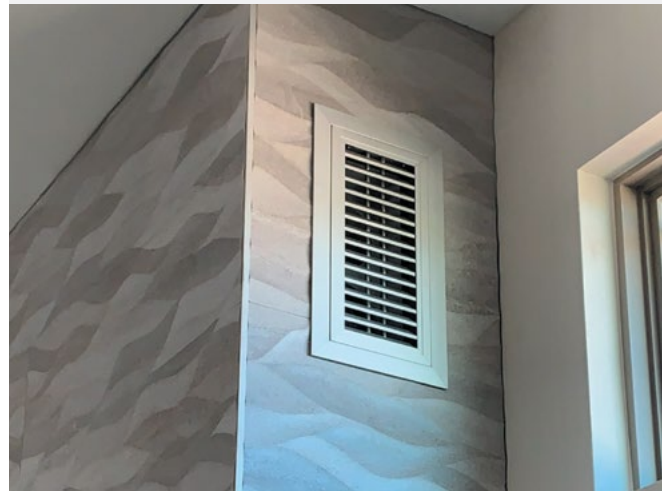
36" WALL KIT / HDKPD36

MONTIGO / COOL WALL ADVANTAGE / SIDEWALL / HORIZONTAL



Cool Wall Advantage TV and sidewall kit plenums are finished with aluminum and are ready to match any interior with your choice of high temperature paint.

MONTIGO / COOL WALL ADVANTAGE / SIDEWALL / VERTICAL



## Sidewall kits include

2 Louvers

2 Plenums

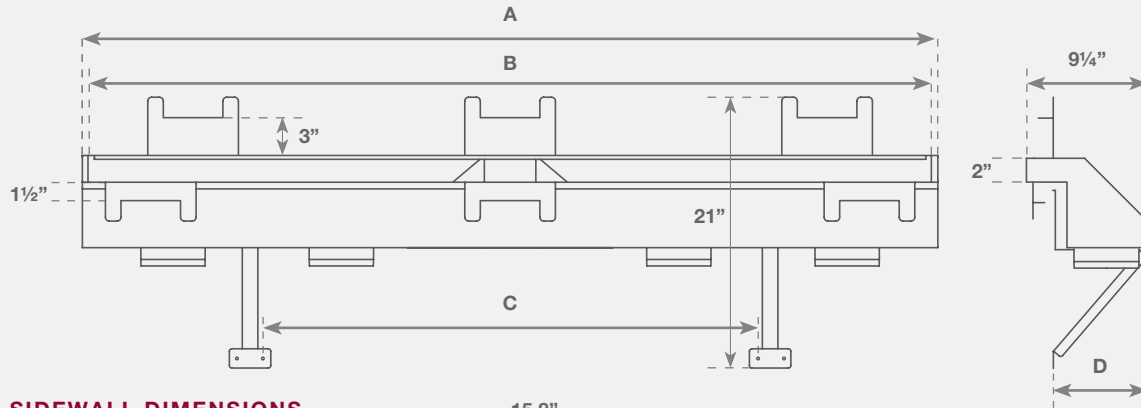
Collars

Requires flex venting

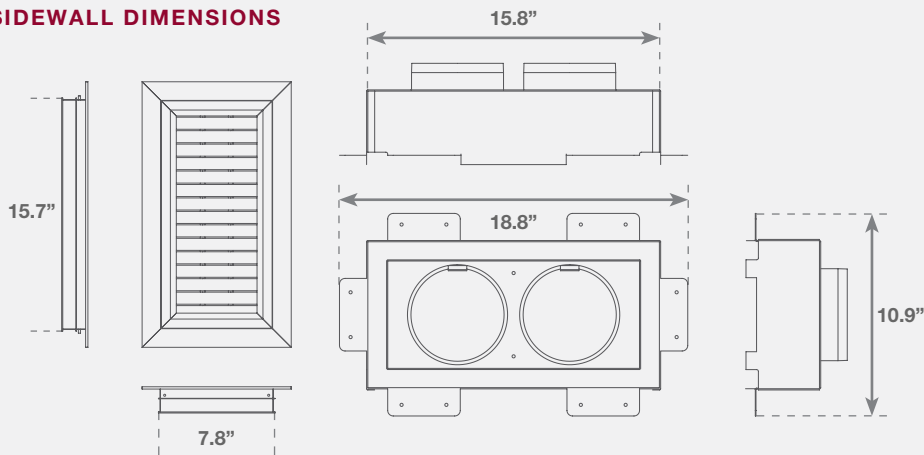
## SIDEWALL KIT CODES

HORIZONTAL WALL KIT / HDKSD  
VERTICAL WALL KIT / HDKSVD

## COOL WALL KIT DIMENSIONS



## SIDEWALL DIMENSIONS



	A	B	C	D
36" TV Kit	39 <sup>15</sup> / <sub>16</sub>	38 <sup>7</sup> / <sub>8</sub>	N/A	7 <sup>1</sup> / <sub>16</sub>



### 170°F / 76°C Heat Vent

Heat is diverted through the Cool Wall Advantage kit, safely bypassing the space above the fireplace.

### 100°F / 37°C Cool Wall†

Wall temperature is cool, creating an area safer for mounting a TV, or hanging artwork. Wood can even be used as a facing material when using the Cool Wall kit or by simply opening up the venting ports.‡

### 510°F / 265°C Glass

Reduced glass temperature, combined with the provided screen creates a safe viewing area.

† 100°F wall temperature is taken at 12" above glass opening.

‡ See manual for restrictions on facing materials



# Unit Specifications

## Icon Legend

AVAILABLE +

NOT AVAILABLE -

DEDICATED ◊

STANDARD ○

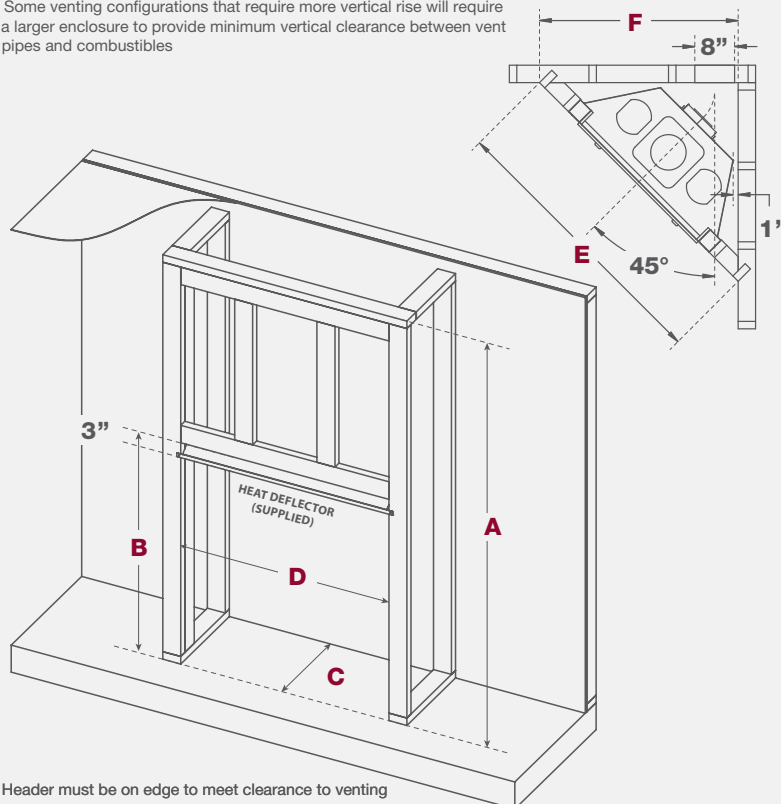
	BTU Natural Gas	BTU Liquid Propane	Venting	Clearance Top - Top Vent	Clearance Rear - Top Vent	Clearance Sides	Clearance Back	Clearance Floor	Clearance Mantel	Front Viewing Area	Front Glass Type	Standard Media	Invisimesh Screen	Powervent	Remote Control	Fans	Up lighting	Down lighting
DRSQ38*I-2	24,000	19,500	5"/8" <sup>a</sup>	21	17	0	1½	0	6	33 <sup>11</sup> / <sub>16</sub> X 22 <sup>7</sup> / <sub>8</sub>	Borosilicate	n/a	○	+	○	○	-	○
DRSQ38*I	20,500	16,500	5"/8" <sup>a</sup>	21	17	0	1½	0	6	33 <sup>11</sup> / <sub>16</sub> X 22 <sup>7</sup> / <sub>8</sub>	Tempered	n/a	+	+	+	+	-	-

<sup>a</sup>Can be reduced to 4"7"

## DELRAY SQUARE FRAMING (MINIMUM DIMENSIONS)

	A*	B	C	D	E	F
DRSQ38	62 <sup>1</sup> / <sub>8</sub>	44 <sup>7</sup> / <sub>16</sub>	18	40 <sup>3</sup> / <sub>16</sub>	56 <sup>1</sup> / <sub>2</sub>	40

\* Some venting configurations that require more vertical rise will require a larger enclosure to provide minimum vertical clearance between vent pipes and combustibles



Header must be on edge to meet clearance to venting

Heat deflector only required on full load units

## DELRAY SQUARE WOOD FACING

