

DELRAY / FROM MINIMALIST TO INDULGENCE



DELRAY

SQUARE

MAKE A STATEMENT

DRSQ42NI
DRSQ42NI-2
DRSQ46NI
DRSQ46NI-2

SINGLE SIDED
DIRECT VENT

DELRAY FULL LOAD SQUARE

Standard

- Concealed universal burner
- Multi-function remote
- Remote Hi-Lo flame
- Remote controlled fans
- Micro mesh safety screen
- Battery backup
- Halogen downlighting

Options

- Heat management
- Adjustable trim kits
- Traditional logsets
- Contemporary scenes
- Traditional and contemporary liners
- Propane conversion kit
- Speckled stones, glass media
- WiFi phone app control

DELRAY BASIC SQUARE

Standard

- Concealed universal burner
- Manual Hi-Lo flame

Options

- Heat management
- Adjustable trim kits
- Remote control
- Fans
- Micro mesh safety screen
- Traditional and contemporary liners
- Propane conversion kit
- Battery backup
- Traditional logsets
- Contemporary scenes
- Speckled stones, glass media

QUICK DIMENSIONS

	DRSQ42		DRSQ46	
	UNIT	FRAM.	UNIT	FRAM.
F.WIDTH	42	45	46	49
B.WIDTH	20 ³ / ₈	45	22 ³ / ₄	49
HEIGHT	43 ³ / ₈	51	47 ³ / ₈	55
DEPTH	19 ¹ / ₂	22	21	22
VIEWING	37 ¹ / ₁₆ X 26 ⁷ / ₈		41 ¹ / ₁₆ X 30 ⁷ / ₈	

BTU LISTING

DRSQ42NI / 32,500
DRSQ42NI-2 / 32,500
DRSQ42LI / 27,000
DRSQ42LI-2 / 27,000

DRSQ46NI / 40,000
DRSQ46NI-2 / 40,000
DRSQ46LI / 34,000
DRSQ46LI-2 / 34,000

EFFICIENCY P.4. 1-15

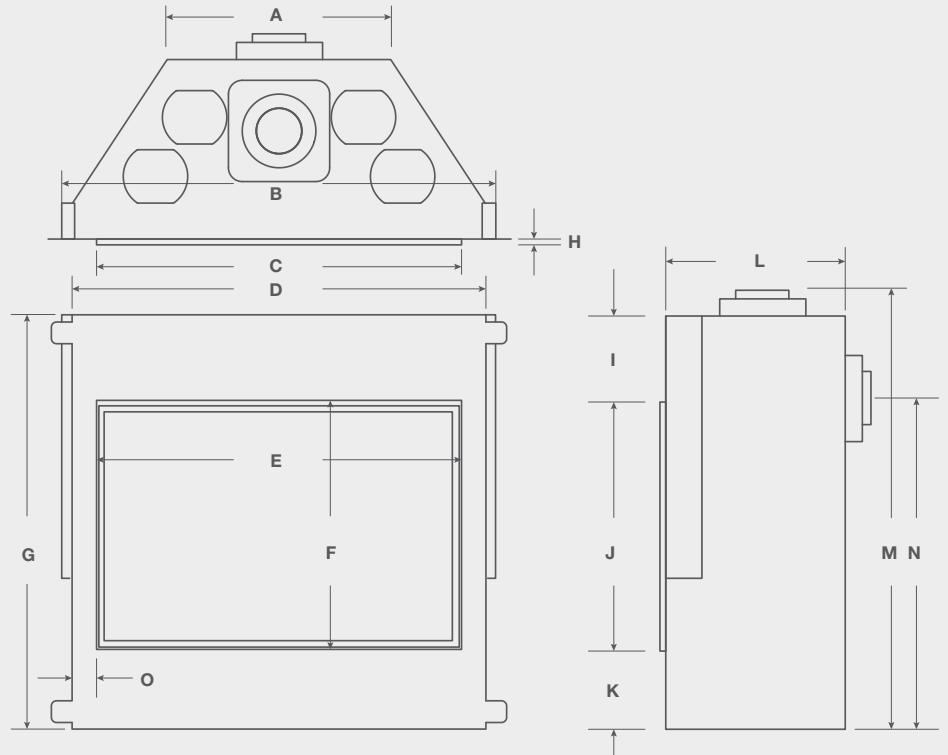
DRSQ42NI / 63.1%
DRSQ42NI-2 / 63.1%
DRSQ42LI / 63%
DRSQ42LI-2 / 63%

DRSQ46NI / 64.1%
DRSQ46NI-2 / 64.1%
DRSQ46LI / 64.7%
DRSQ46LI-2 / 64.7%

^AStandard on DRSQ**NI-2
[†]Optional on DRSQ**NI-2 only
[‡]Full load units only



DELRAY SQUARE DIMENSIONS



	A	B	C	D	E	F	G	H	I	J	K	L	M	N	O
DRSQ42	20 ³ / ₈	43 ¹ / ₁₆	37 ³ / ₄	42	37 ¹ / ₁₆	26 ⁷ / ₈	43 ³ / ₁₆	1/2	9	26 ¹ / ₁₆	7 ¹ / ₄	19 ¹ / ₂	45	34 ³ / ₁₆	2 ¹ / ₈
DRSQ46	22 ³ / ₄	47 ¹ / ₁₆	41 ³ / ₄	46	41 ¹ / ₁₆	30 ⁷ / ₈	47 ³ / ₁₆	1/2	8 ¹ / ₁₆	30 ¹ / ₁₆	7 ¹ / ₄	21	49 ¹ / ₁₆	38 ¹ / ₂	2 ¹ / ₈

DELRAY / SQUARE / DRSQ46NI-2 / SPLIT OAK



DELRAY / SQUARE / DRSQ42NI-2 / DRIFTWOOD

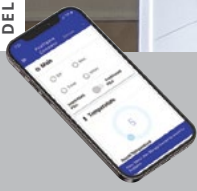
OPTIONS & FEATURES



REMOTE^A
RX200**



WALL REMOTE[†]
EC1550



WIFI PHONE APP CONTROL
SIT-WIFI[‡]



DOWNLIGHTING^A



TRADITIONAL LOGETS
LGS**



CONTEMPORARY SCENES
CS*



TRIM KIT
DRSQT**.*

LINERS



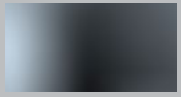
GREY HERRINGBONE
DRSQBK**GH



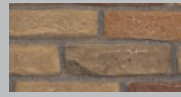
GREY LEDGESTONE
DRSQBK**GL



ASH FLUTED
DRSQBK**AF



BLACK GLASS
RBGDRSQ**



VINTAGE BRICK
DRSQBK**VB



TAN BRICK
DRSQBK**TB



RED BRICK
DRSQBK**RB

Unit Specifications

ICON LEGEND

AVAILABLE	+	NOT AVAILABLE	-
DEDICATED	◊	STANDARD	◦

	BTU NATURAL GAS	BTU LIQUID PROPANE	NG EFFICIENCY	LP EFFICIENCY	VENTING	CLEARANCE TOP - TOP VENT	CLEARANCE REAR - TOP VENT	CLEARANCE SIDES	CLEARANCE BACK	CLEARANCE FLOOR	CLEARANCE MANTEL	FRONT VIEWING AREA	FRONT GLASS TYPE	STANDARD MEDIA	MICRO MESH SAFETY SCREEN	POWERVENT	REMOTE CONTROL	FANS	UPLIGHTING	DOWNLIGHTING
DRSQ34*1-2	18,000	16,000	65.7%	65.7%	4"/7"	21	17	0	1½	0	9	29 ¹¹ / ₁₆ X 18%	HIGH TEMPERATURE	N/A	◦	+	◦	◦	-	◦
DRSQ34*1	15,500	14,000	67.1%	65.4%	4"/7"	21	17	0	1½	0	9	29 ¹¹ / ₁₆ X 18%	HIGH TEMPERATURE	N/A	+	+	+	+	-	-
DRSQ38*1-2	24,000	19,500	65%	61.5%	5"/8" ^Δ	21	17	0	1½	0	6	33 ¹¹ / ₁₆ X 22%	HIGH TEMPERATURE	N/A	◦	+	◦	◦	-	◦
DRSQ38*1	20,500	16,500	63.4%	61.8%	5"/8" ^Δ	21	17	0	1½	0	6	33 ¹¹ / ₁₆ X 22%	HIGH TEMPERATURE	N/A	+	+	+	+	-	-
DRSQ42*1-2	32,500	27,000	63.1%	63%	5"/8"	28	28	½	1½	0	10	37 ¹¹ / ₁₆ X 26%	HIGH TEMPERATURE	N/A	◦	+	◦	◦	-	◦
DRSQ42*1	32,500	27,000	63.1%	63%	5"/8"	28	28	½	1½	0	10	37 ¹¹ / ₁₆ X 26%	HIGH TEMPERATURE	N/A	+	+	+	+	-	-
DRSQ46*1-2	40,000	34,000	64.1%	64.7%	5"/8"	35	35	½	1	0	10	41 ¹¹ / ₁₆ X 30%	HIGH TEMPERATURE	N/A	◦	+	◦	◦	-	◦
DRSQ46*1	40,000	34,000	64.1%	64.7%	5"/8"	35	35	½	1	0	10	41 ¹¹ / ₁₆ X 30%	HIGH TEMPERATURE	N/A	+	+	+	+	-	-

ΔCan be reduced to 4"7"

DELRAY SQUARE FRAMING (MINIMUM DIMENSIONS)

	A*	B	C	D	E	F	G
DRSQ34	49	40½	18	36	52 ² / ₁₆	37 ¹ / ₁₆	1
DRSQ38	62½	44 ⁷ / ₁₆	18	40 ³ / ₁₆	59¼	41 ⁷ / ₈	2
DRSQ42	72	51	21	45	62 ² / ₁₆	44 ¹ / ₈	1
DRSQ46	84	55	22	49	67 ³ / ₈	47 ⁵ / ₈	1

* Some venting configurations that require more vertical rise will require a larger enclosure to provide minimum vertical clearance between vent pipes and combustibles

Header must be on edge to meet clearance to venting

