



DELRAY / FROM MINIMALIST TO INDULGENCE

DELRAY

SQUARE

CONTEMPORARY & TRADITIONAL

DELRAY FULL LOAD SQUARE

DELRAY BASIC SQUARE

DRSQ34
DRSQ34-2
DRSQ38
DRSQ38-2

SINGLE SIDED
DIRECT VENT

Standard

- Concealed universal burner
- Multi-function remote
- Remote Hi-Lo flame control
- Remote controlled fans
- Micro mesh safety screen
- Battery backup
- Halogen downlighting

Options

- Heat management
- Adjustable trim kits
- Traditional logsets
- Contemporary scenes
- Traditional and contemporary liners
- Propane conversion kit
- Speckled stones, glass media
- WiFi phone app control

Standard

- Concealed universal burner
- Manual Hi-Lo flame control

Options

- Heat management
- Adjustable trim kits
- Remote control
- Fans
- Micro mesh safety screen
- Traditional and contemporary liners
- Propane conversion kit
- Battery backup
- Traditional logsets
- Contemporary scenes
- Speckled stones, glass media



QUICK DIMENSIONS

	DRSQ34		DRSQ38	
	UNIT	FRAM.	UNIT	FRAM.
F.WIDTH	34	36	38	40
B.WIDTH	15 ³ / ₈	36	20 ³ / ₈	40
HEIGHT	33 ¹ / ₂	40 ¹ / ₂	38	44 ⁷ / ₁₆
DEPTH	16 ¹ / ₂	18	16 ¹ / ₂	18
VIEWING	29 ¹¹ / ₁₆ X 18 ⁷ / ₈		33 ¹¹ / ₁₆ X 22 ⁷ / ₈	

BTU LISTING

DRSQ34NI / 15,000
DRSQ34NI-2 / 18,000
DRSQ34LI / 14,000
DRSQ34LI-2 / 16,500

DRSQ38NI / 20,500
DRSQ38NI-2 / 24,000
DRSQ38LI / 16,500
DRSQ38LI-2 / 19,500

EFFICIENCY P.4. 1-15

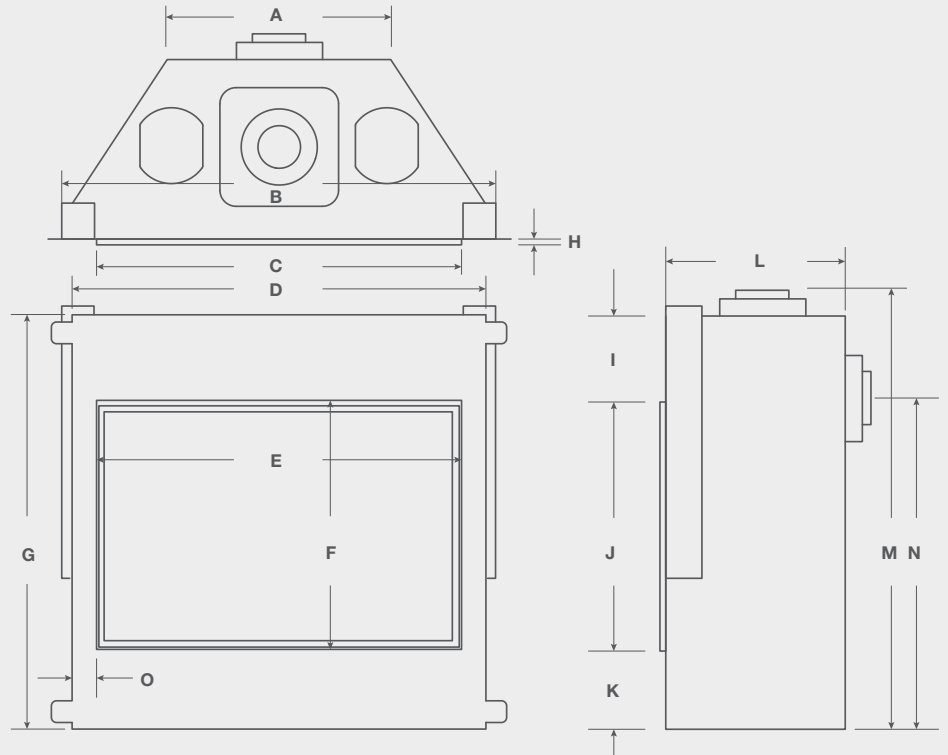
DRSQ34NI / 67.1%
DRSQ34NI-2 / 65.7%
DRSQ34LI / 65.4%
DRSQ34LI-2 / 65.7%

DRSQ38NI / 63.4%
DRSQ38NI-2 / 65%
DRSQ38LI / 61.8%
DRSQ38LI-2 / 61.5%

^A Standard on DRSQ3*NI-2
[†] Optional on DRSQ3*NI-2 only
[‡] Full load units only



DELRAY SQUARE DIMENSIONS



	A	B	C	D	E	F	G	H	I	J	K	L	M	N	O
DRSQ34	16 $\frac{5}{8}$	35 $\frac{1}{16}$	29 $\frac{3}{4}$	34	29 $\frac{1}{16}$	18 $\frac{7}{8}$	32 $\frac{1}{2}$	$\frac{1}{2}$	8 $\frac{3}{4}$	18 $\frac{1}{16}$	5 $\frac{3}{4}$	16 $\frac{1}{2}$	34 $\frac{1}{2}$	25 $\frac{1}{16}$	2 $\frac{1}{8}$
DRSQ38	20 $\frac{3}{4}$	39 $\frac{1}{16}$	33 $\frac{3}{4}$	38	33 $\frac{1}{16}$	22 $\frac{7}{8}$	38	$\frac{1}{2}$	8 $\frac{3}{4}$	22 $\frac{1}{16}$	7 $\frac{1}{4}$	16 $\frac{1}{2}$	40 $\frac{5}{16}$	30 $\frac{1}{2}$	2 $\frac{1}{8}$



DELRAY / SQUARE / DRSQ34NI-2 / SPLIT OAK LOGSET / RED BRICK



DELRAY / SQUARE / DRSQ34NI-2 / DRIFTWOOD

OPTIONS & FEATURES



REMOTE⁴⁺
RX200**



WALL REMOTE¹
EC1550



WIFI PHONE APP
CONTROL¹
SIT-WIFI



DOWNLIGHTING^A



TRADITIONAL
LOGETS
LGS**3*



CONTEMPORARY
SCENES
CS*3*



TRIM KIT
DRSQT**.*

LINERS



GREY
HERRINGBONE
DRSQBK3*GH



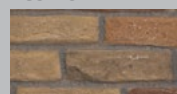
GREY
LEDGESTONE
DRSQBK3*GL



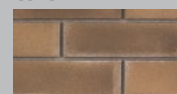
ASH FLUTED
DRSQBK3*AF



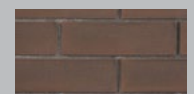
BLACK GLASS
RBGDRSQ3*



VINTAGE BRICK
DRSQBK3*VB



TAN BRICK
DRSQBK3*TB



RED BRICK
DRSQBK3*RB

Unit Specifications

ICON LEGEND

AVAILABLE	+	NOT AVAILABLE	-
DEDICATED	◊	STANDARD	◦

	BTU NATURAL GAS	BTU LIQUID PROPANE	NG EFFICIENCY	LP EFFICIENCY	VENTING	CLEARANCE TOP - TOP VENT	CLEARANCE REAR - TOP VENT	CLEARANCE SIDES	CLEARANCE BACK	CLEARANCE FLOOR	CLEARANCE MANTEL	FRONT VIEWING AREA	FRONT GLASS TYPE	STANDARD MEDIA	MICRO MESH SAFETY SCREEN	POWERVENT	REMOTE CONTROL	FANS	UPLIGHTING	DOWNLIGHTING
DRSQ34*1-2	18,000	16,000	65.7%	65.7%	4"/7"	21	17	0	1½	0	9	29 ¹¹ / ₁₆ X 18%	HIGH TEMPERATURE	N/A	◦	+	◦	◦	-	◦
DRSQ34*1	15,500	14,000	67.1%	65.4%	4"/7"	21	17	0	1½	0	9	29 ¹¹ / ₁₆ X 18%	HIGH TEMPERATURE	N/A	+	+	+	+	-	-
DRSQ38*1-2	24,000	19,500	65%	61.5%	5"/8" ^Δ	21	17	0	1½	0	6	33 ¹¹ / ₁₆ X 22%	HIGH TEMPERATURE	N/A	◦	+	◦	◦	-	◦
DRSQ38*1	20,500	16,500	63.4%	61.8%	5"/8" ^Δ	21	17	0	1½	0	6	33 ¹¹ / ₁₆ X 22%	HIGH TEMPERATURE	N/A	+	+	+	+	-	-
DRSQ42*1-2	32,500	27,000	63.1%	63%	5"/8"	28	28	½	1½	0	10	37 ¹¹ / ₁₆ X 26%	HIGH TEMPERATURE	N/A	◦	+	◦	◦	-	◦
DRSQ42*1	32,500	27,000	63.1%	63%	5"/8"	28	28	½	1½	0	10	37 ¹¹ / ₁₆ X 26%	HIGH TEMPERATURE	N/A	+	+	+	+	-	-
DRSQ46*1-2	40,000	34,000	64.1%	64.7%	5"/8"	35	35	½	1	0	10	41 ¹¹ / ₁₆ X 30%	HIGH TEMPERATURE	N/A	◦	+	◦	◦	-	◦
DRSQ46*1	40,000	34,000	64.1%	64.7%	5"/8"	35	35	½	1	0	10	41 ¹¹ / ₁₆ X 30%	HIGH TEMPERATURE	N/A	+	+	+	+	-	-

ΔCan be reduced to 4"7"

DELRAY SQUARE FRAMING (MINIMUM DIMENSIONS)

	A*	B	C	D	E	F	G
DRSQ34	49	40½	18	36	52 ² / ₁₆	37 ¹ / ₁₆	1
DRSQ38	62½	44 ⁷ / ₁₆	18	40 ³ / ₁₆	59¼	41 ⁷ / ₈	2
DRSQ42	72	51	21	45	62 ² / ₁₆	44 ¹ / ₈	1
DRSQ46	84	55	22	49	67 ³ / ₈	47 ⁵ / ₈	1

* Some venting configurations that require more vertical rise will require a larger enclosure to provide minimum vertical clearance between vent pipes and combustibles

Header must be on edge to meet clearance to venting

