

MONTIGO®

DELRAY SQUARE

DELRAY / THE ART OF FIREPLACES

DRSQ38NI

DRSQ38NI-2



DELRAY / SINGLE SIDED

The DelRay Square Universal Burner

A revolutionary burner system,
creating endless opportunities

Versatility

We have developed a burner system that is not only convertible from natural gas to propane, but can switch from traditional to contemporary burner media without changing the burner system.

Media kits such as logsets and contemporary scenes must be ordered along with the unit.

TRADITIONAL LOGSETS

Hand painted to perfection

Each logset is designed to work with the universal burner system that ensures a realistic flame pattern that fills the firebox

All logsets come standard with a black coal firebed and glowing ember media

SPLIT OAK
LGSSO38

BIRCH
LGSBI38

DRIFTWOOD
LGSDW38

TRADITIONAL COAL BEDS



BLACK COALS
STANDARD



RED COALS
HW1266



GREY COALS
HW1265

Coals must be ordered with a logset, Black coals come standard with every DelRay Square logset system

152

DECORATIVE CONFIGURATIONS

Versatility

Pair any Traditional Logset or contemporary scene with any of our seven liners to create a vision that's completely yours

Go even further and customize with a special coal or glass fuel bed

CONTEMPORARY SCENES



Modern design at its best

Our contemporary scenes have been designed to create the best possible environment for tall, robust flames and pair beautifully with any room

All contemporary scenes come standard with a fuel bed, rocks, and glowing ember media

WINTER
CSW38

TWILIGHT
CST38

BEACH
CSB38

CONTEMPORARY MEDIA BEDS



FIREGLASS
HWXXXX



FIRESTONES
HWXXXX



FIREBEADS
HWXXXX

For best possible flame patterns, Montigo recommends the contemporary scenes over the use of glass media on its own.



Features

- Easily convert from contemporary to traditional looks while using the same burner
- Meets requirements for efficiency rebates
- Field propane convertible
- Convertible to 4/7
- Mobile home compatible

CONTEMPORARY TRADITIONAL

DELRAY SQUARE

DELRAY SQUARE

DELRAY BASIC SQUARE

DRSQ38 DRSQ38-2

Single sided
Direct vent

QUICK DIMENSIONS

	DRSQ38	
	UNIT	FRAM.
F.WIDTH	38	40
B.WIDTH	20 ³ / ₈	40
HEIGHT	38	44 ⁷ / ₁₆
DEPTH	16 ¹ / ₂	18
VIEWING	33 ¹¹ / ₁₆ x 22 ⁷ / ₈	

Standard

- Concealed universal burner
- Full feature Proflame 2 remote control
- Remote controlled fans
- Invisimesh screen
- Battery back up
- Halogen downlighting

Options

- Heat distribution kits
- Trim kits
- Traditional logsets
- Contemporary scenes
- Traditional and contemporary liners
- Propane conversion kit
- Speckled stones, firestones, firebeads or fireglass

Standard

- Concealed universal burner
- **Options**
- Heat distribution kits
- Trim kits
- Remote control
- Fan kit
- Invisimesh screen

- Traditional and contemporary liners
- Propane conversion kit
- Battery back up
- Traditional logsets
- Contemporary scenes
- Speckled stones, firestones, firebeads or fireglass



BTU LISTING

DRSQ38NI / 20,500
DRSQ38LI / 16,500

DRSQ38NI-2 / 24,000
DRSQ38LI-2 / 19,500

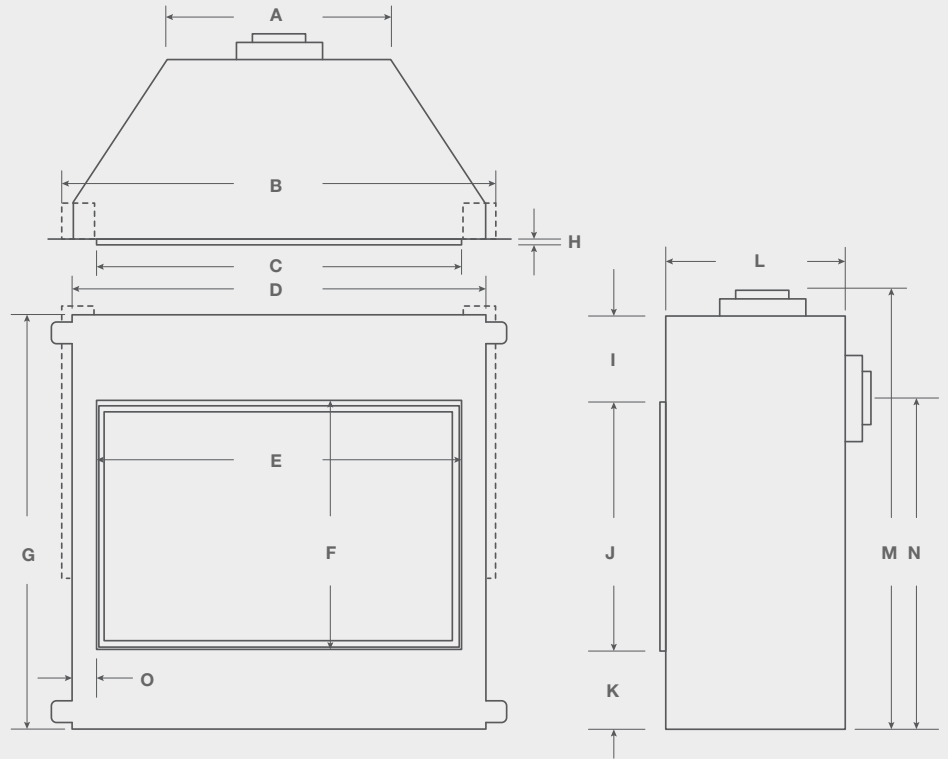
EFFICIENCY

DRSQ38NI / 63% P.4. 1-15
DRSQ38LI / 61% P.4. 1-15

DRSQ38NI-2 / 64% P.4. 1-15
DRSQ38LI-2 / 61% P.4. 1-15



DELRAY SQUARE DIMENSIONS



	A	B	C	D	E	F	G	H	I	J	K	L	M	N	O
DRSQ38	20 ³ / ₄	39 ¹ / ₁₆	33 ³ / ₄	38	33 ¹ / ₁₆	22 ⁷ / ₈	38	1/2	8 ³ / ₄	22 ¹ / ₁₆	7 ¹ / ₄	16 ¹ / ₂	40 ⁵ / ₁₆	30 ¹ / ₂	2 ¹ / ₈

DELRAY / SQUARE / DRSQ38NI-2 / ICE FIREGLASS

DELRAY / SQUARE / DRSQ38NI-2 / WINTER SCENE



OPTIONS & FEATURES



REMOTE^A
RX200**



WALL REMOTE[†]
REC1493



DOWNLIGHTING^A



TRADITIONAL
LOGETS
LGS**38



CONTEMPORARY
SCENES
CS*38



TRIM KIT
DRSQT***

^A Standard on DRSQ38NI-2
[†] Optional on DRSQ38NI-2 only

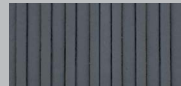
LINERS



GREY
HERRINGBONE
DRSQBK38GH



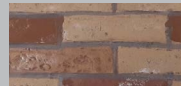
GREY
LEDGESTONE
DRSQBK38GL



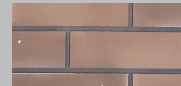
ASH FLUTED
DRSQBK38AF



BLACK GLASS
RBGDRSQ38



VINTAGE BRICK
DRSQBK38VB



TAN BRICK
DRSQBK38TB



RED BRICK
DRSQBK38RB

Cool Wall Advantage

Diverting heat away from the wall, keeping your tv or artwork safe



TV kits include

Louver

Plenum

Collars

Requires flex venting

TV KIT CODES

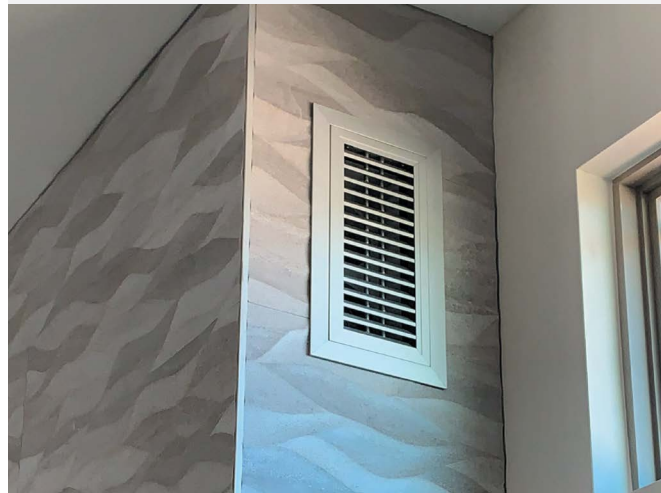
36" WALL KIT / HDKPD36

MONTIGO / COOL WALL ADVANTAGE / SIDEWALL / HORIZONTAL



Cool Wall Advantage TV and sidewall kit plenums are finished with aluminum and are ready to match any interior with your choice of high temperature paint.

MONTIGO / COOL WALL ADVANTAGE / SIDEWALL / VERTICAL



Sidewall kits include

2 Louvers

2 Plenums

Collars

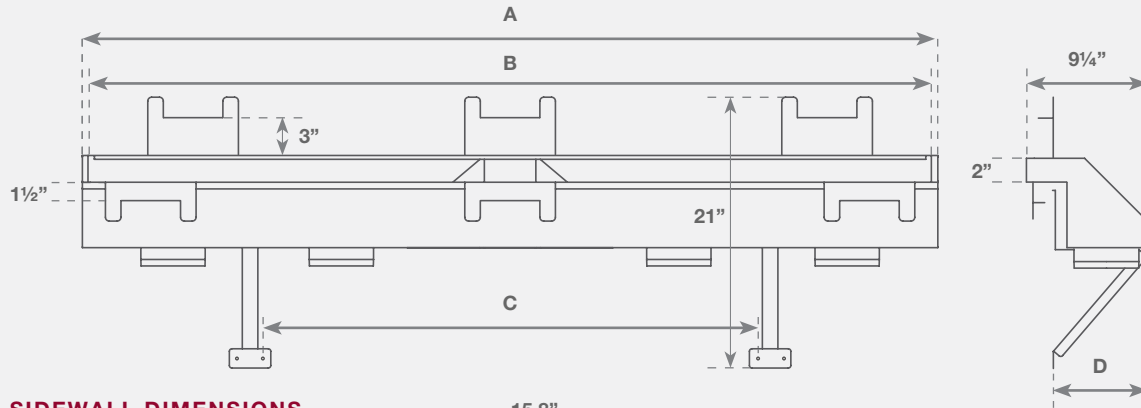
Requires flex venting

SIDEWALL KIT CODES

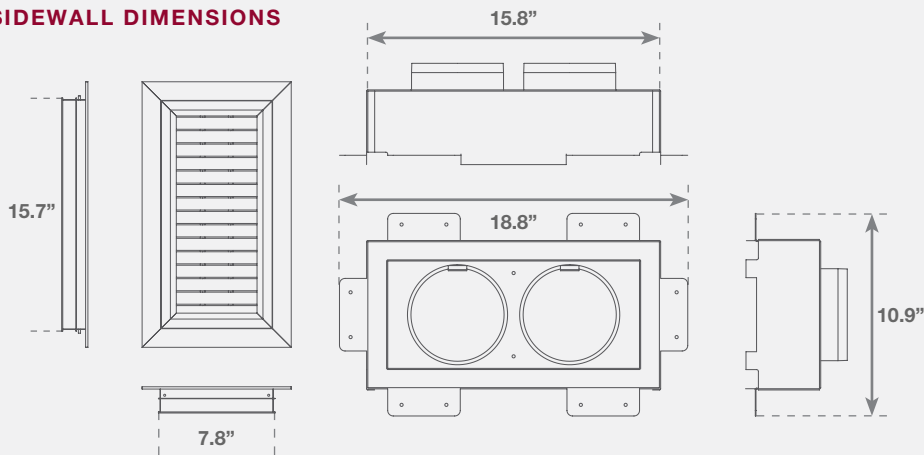
HOR. WALL KIT / HDKSD

VER. WALL KIT / HDKSVD

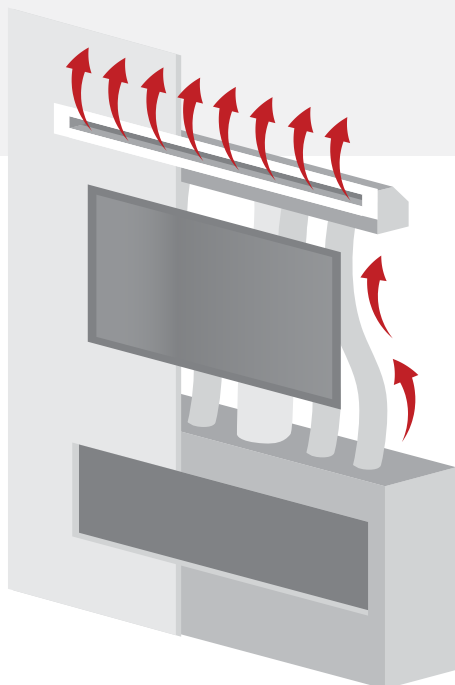
COOL WALL KIT DIMENSIONS



SIDEWALL DIMENSIONS



	A	B	C	D
36" TV Kit	39 ¹⁵ / ₁₆	38 ⁷ / ₈	N/A	7 ¹ / ₁₆



170°F / 76°C Heat Vent

Heat is diverted through the Cool Wall Advantage kit, safely bypassing the space above the fireplace.

100°F / 38°C Cool Wall†

Wall temperature is cool, creating an area safer for mounting a TV, or hanging artwork.

510°F / 265°C Glass

Reduced glass temperature, combined with the provided screen creates a safe viewing area.

†100°F Wall temperature is taken at 12" above glass opening



Unit Specifications

Icon Legend	
AVAILABLE	+
DEDICATED	◊

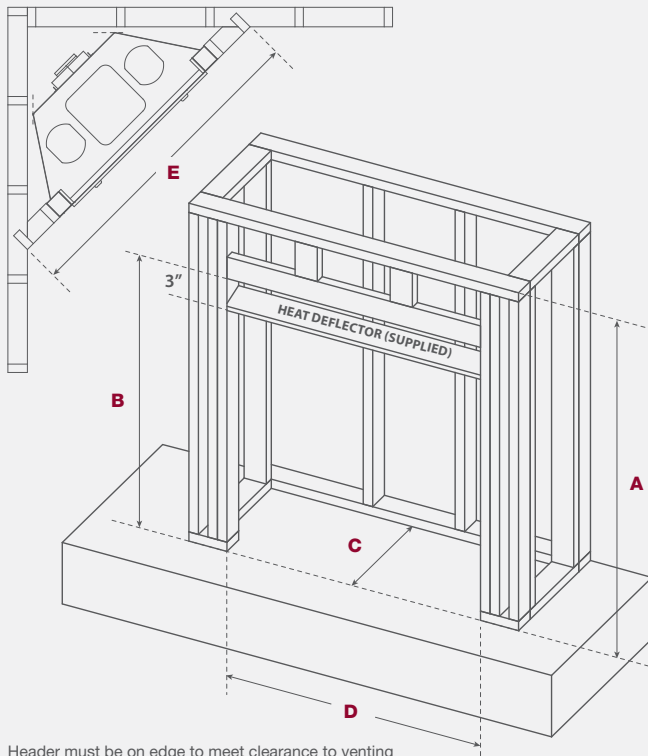
NOT AVAILABLE	-
STANDARD	◦

	BTU Natural Gas	BTU Liquid Propane	Venting	Clearance Top - Top vent	Clearance Rear - Top vent	Clearance Sides	Clearance Back	Clearance Floor	Clearance Mantel	Front viewing area	Front glass type	Standard media	Invisimesh screen	Power vent	Remote control	Fans	Uplighting	Downlighting
DRSQ38*I-2	24,000	19,500	5"/8" [△]	21	17	1	0	0	6	33 ¹ / ₁₆ X 22 ⁷ / ₈	Tempered	n/a	◦	+	◦	◦	-	◦
DRSQ38*I	20,500	16,500	5"/8" [△]	21	17	0	0	0	6	33 ¹ / ₁₆ X 22 ⁷ / ₈	Tempered	n/a	+	+	+	+	-	-

△Can be reduced to 4"7"

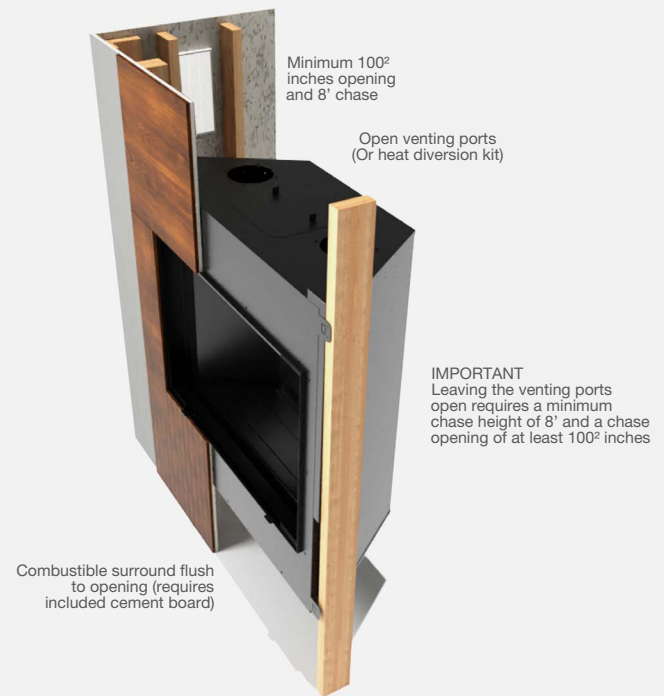
DELRAY SQUARE FRAMING

	Flex	Rigid				
Top vented	A	A	B	C	D	E
DRSQ38	59	62 ¹ / ₈	44 ⁷ / ₁₆	18	40	56 ¹ / ₂
Rear vented	A	B	C	D	E	
DRSQ38	55	44 ⁷ / ₁₆	18	40	56 ¹ / ₂	



Header must be on edge to meet clearance to venting
Heat deflector only required on full load units

DELRAY SQUARE WOOD FACING



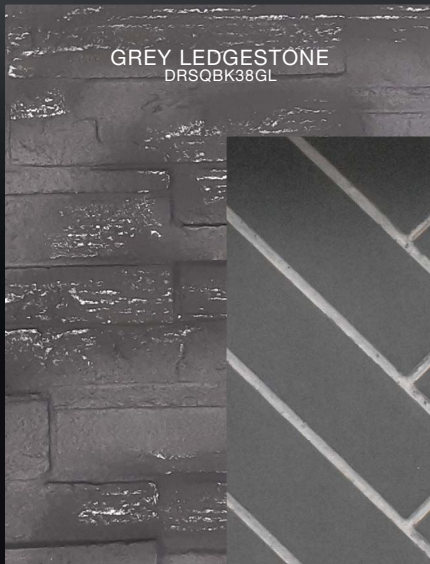


VINTAGE BROWN BRICK
DRSQBK38VB

TAN BRICK
DRSQBK38TB

RED BRICK
DRSQBK38RB

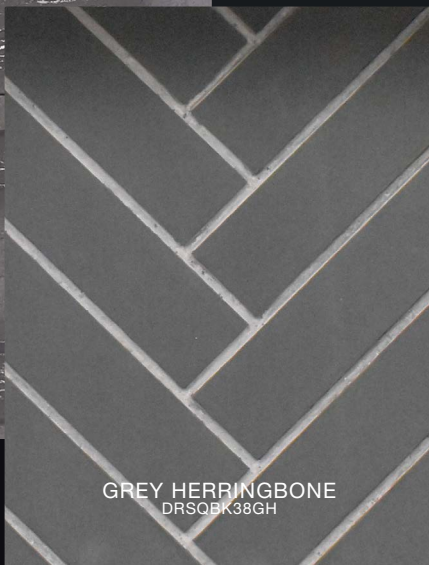
LINERS



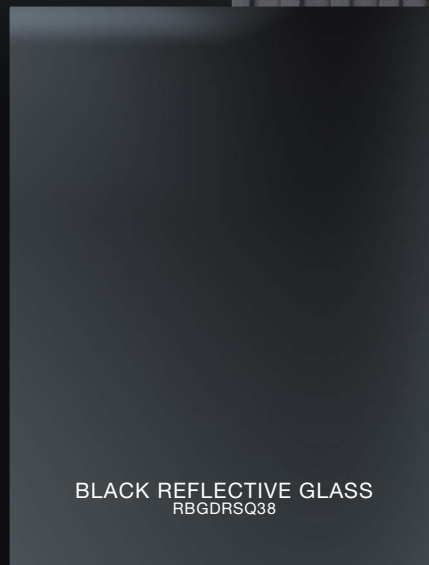
GREY LEDGESTONE
DRSQBK38GL



ASH FLUTED
DRSQBK38AF



GREY HERRINGBONE
DRSQBK38GH



BLACK REFLECTIVE GLASS
RBGDRSQ38



SPECKLED STONES
RR***SS



COPPER
HW1143



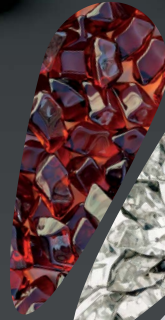
AMBER
HW1261



ICE
HW1157



GLACIER
HW1219B



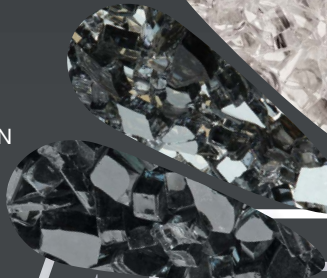
PLATINUM
HW1144



ALABASTER
HW1260



OBSIDIAN
HW1113



ONYX
HW1259



MEDIA



SAGE
HW1082



FROST
HW1112



EBONY
HW1091



QUARTZ
HW1106



1976: The Days Before Gas Fireplaces

In 1976, Montigo president and founder, Dan Binzer, started installing zero-clearance wood burning fireplaces for local builders in Vancouver, BC. Over the years, demand grew for a gas alternative, and Dan engineered and manufactured the first ever sandpan logset. The logset was installed in a zero-clearance wood burning fireplace hell, resulting in one of the first zero-clearance gas fireplaces on the market.

1985: Gas Fireplace Manufacturing Begins

Demand for gas grew rapidly, especially among multi-unit developments so Dan Binzer started a company called Canadian Heating that would offer full service design, engineering and manufacturing for gas fireplaces. Under the Montigo brand, Canadian Heating began manufacturing and selling a wide selection of zero-clearance gas fireplaces throughout Canada and in 1985 development began for the latest and greatest in gas fireplace technology – direct venting.

1994: Manufacturing Excellence is Achieved

Development and advancement of the gas fireplace continued over the years with continual developments to improve the efficiency of the fireplaces and perfected manufacturing processes to deliver an optimum fireplace each and every time – even for completely custom units.

Present: Leading the Way with Modern Fireplace Design

As one of the first to bring a linear designed fireplace to market, Montigo now offers the largest selection of linear fireplaces demanded by designers, architects and homeowners wanting to create a modern and contemporary space and homeowners wanting to create a modern and contemporary space.

for more inspiration go to
www.montigo.com

MONTIGO[®]
the art of **fireplaces**



Our Guarantee

Montigo[®] stands by the craftsmanship and durability of our products by providing a 15 year warranty on the burner and firebox in all our residential fireplaces.

ARCAT
Printed in Canada

XB2218