

# SP41 & SP34

DIRECT VENT FIREPLACES

SP41 with a Standard screen front  
and optional Black Glass panels



QUALITY FIREPLACES FOR LIFE.

KOZY  HEAT  
FIREPLACES



SP34 Prairie Design Overlay  
optional Black Glass panels

## SP41 & SP34 SERIES

### Fronts



**Arched Prairie Design Overlay**  
No Black Glass panels



**Prairie Design Overlay**  
with optional Black Glass panels



**Standard Screen Front**  
with optional Black Glass panels

SP34 Standard Screen Front and optional Black Glass panels



## SP41 & SP34 SERIES

Media Kit Option



Log Set

### Control Options

IPI Control  
*(Standard on SP41-L)*



Komfort Kontrol Remote

### Optional Controls for Millivolt & LE Models



Thermostat Remote or  
Deluxe On/Off Remote



Wired or Wireless Wall  
Mount Thermostat



Wireless  
wall switch

### Burn Video



SP41



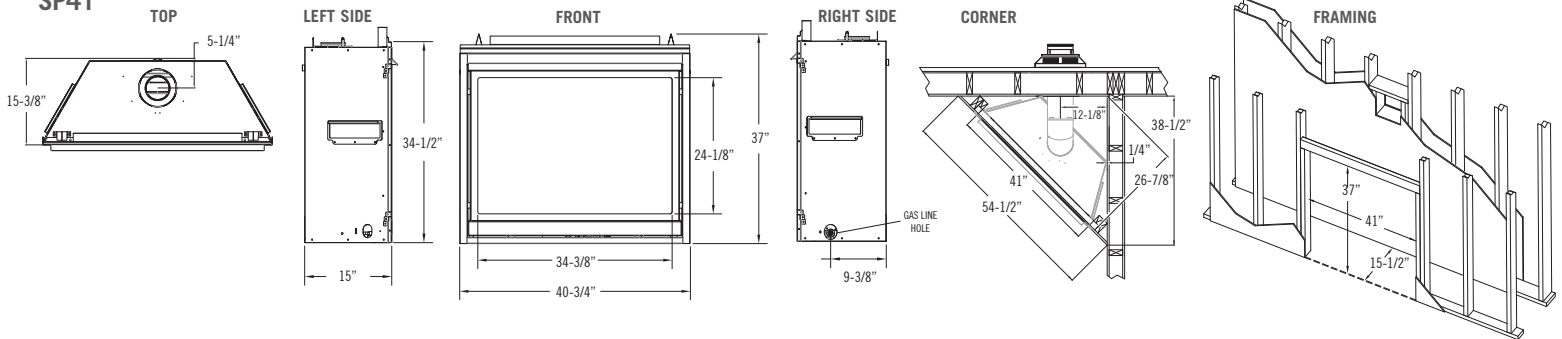
SP34

# SP41 & SP34 SERIES

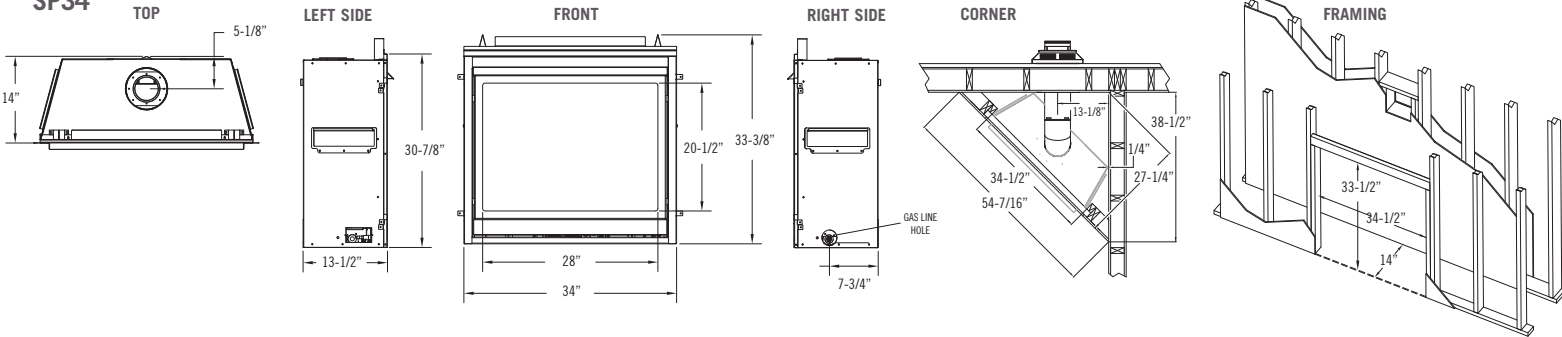
Fireplace brochures are for advertising purposes only.  
Refer to the specific fireplace manual for installation.

## Specifications

### SP41



### SP34



| Model                 | SP41                              | SP34  |
|-----------------------|-----------------------------------|---|
| Height                | 34-1/2"                           | 30-7/8"                                     |
| Width                 | 40-3/4"                           | 34"   |
| Back Width            | 24-1/8"                           | 27"   |
| Depth                 | 15"                               | 13-1/2"                                     |
| Weight                | 179 lbs                           | LE-90 lbs<br>MV-130 lbs                     |
| Viewing Area          | 34-3/8" x 24-1/8"                 | 28" x 20-1/2"                               |
| BTU NG High / Low     | 28,000 / 14,000                   | 20,500 / 14,000                             |
| BTU LP High / Low     | 28,000 / 14,000                   | 20,500 / 15,000                             |
| ENERGUIDE P.4 NG / LP | 74.05% / 74.55%                   | 74.57% / 74.36% (LE)<br>73.74% / 73.3% (MV) |
| Steady State NG / LP  | 77.56% / 77.64%                   | 73.82% / 76.68%                             |
| AFUE % NG / LP        | 71.11% / 71.19%                   | 67.17% / 68.91%                             |
| Ceramic Media         | Standard                          | Standard                                    |
| Valve System          | IPI & Millivolt                   | IPI & Millivolt                             |
| Fan Kit               | Optional in MV<br>Standard in IPI | Optional                                    |
| Screen Front          | Included                          | Included                                    |

Features, Options & Specifications are subject to change.

Each unit factory tested

Certified to ANSI Z21.88 Vented Gas Heaters

## Clearances

| Model   | SP41    | SP34    |
|---|---------|---------|
| From appliance top stand-off bracket          | 0"      | 0"      |
| From facing material 1" (25mm) stand off      | 0"      | 0"      |
| From appliance back stand offs                | 0"      | 0"      |
| From appliance corners                        | 1/4"    | 1/4"    |
| From appliance front                          | 36"     | 36"     |
| From appliance top to ceiling                 | 25"     | 12"     |
| Appliance sides to adjacent sidewall          | 4-1/2"  | 4-1/2"  |
| Fireplace enclosure floor to 3/4" (19mm) trim | 37-1/8" | 33-1/2" |
| Mantel 6" deep from fireplace enclosure floor | 40-1/2" | 37"     |

Refer to the installation manuals for complete installation & venting requirements. See additional mantel clearance configurations in the installation manual.

## Vent System Approval & Requirements

This appliance is equipped for use with a 4" exhaust by 6-5/8" air intake co-axial vent pipe system. This appliance is approved for use with Kozy Heat 4" x 7" #700 Series Flexible Direct Vent System (horizontal terminations only).

Other approved vent manufacturers (horizontal and vertical terminations): American Metal Products (Ameri-Vent), BDM, ICC, Metal Fab, Olympia Chimney Supply, Inc., Selkirk, and Simpson DuraVent.

This appliance can be adapted to use 3" x 3" flexible co-linear vent pipes when used in combination with an existing minimum 6" x 8" ID masonry or 7" class A metal chimney.

Elbows: For each additional 90° elbow used after the first elbow, 3' must be subtracted from the maximum venting allowed. For each additional 45° elbow used after the first elbow, 1 1/2' must be subtracted from the maximum venting allowed. Note: (2) 45° elbows = (1) 90° elbow.

### Horizontal Terminations

Minimum: 90° + 6" + cap

Maximum: See Manual

### Vertical Terminations Co-axial

Minimum: 3' + vent cap

Maximum: 50' + vent cap

### Vertical Terminations Co-linear

Minimum: 10' + vent cap

Maximum: 50' + vent cap

In order to continually provide the highest quality product available, features/options, specifications & dimensions are subject to change. Refer to the unit installation manual for complete installation instructions. Installation must conform with local building codes. In some regions it may be possible that this appliance qualifies for an energy rebate. See your local dealer for details regarding promotions and qualifications.

Manufactured by Husson Mfg. Co., Inc.  
204 Industrial Park Road, Lakefield, MN 56150  
Phone 1-800-253-4904 www.kozyheat.com

8-20



Product Line:



For complete information on the Kozy Heat product line, please contact us at:

FOR CALIFORNIA RESIDENTS ONLY

⚠ California Proposition 65 Warning

WARNING: This product can expose you to chemicals including Carbon Monoxide, that is an externally vented by-product of fuel combustion, which is (are) known to the State of California to cause birth defects or other reproductive harm. For more information, visit www.P65Warnings.ca.gov.