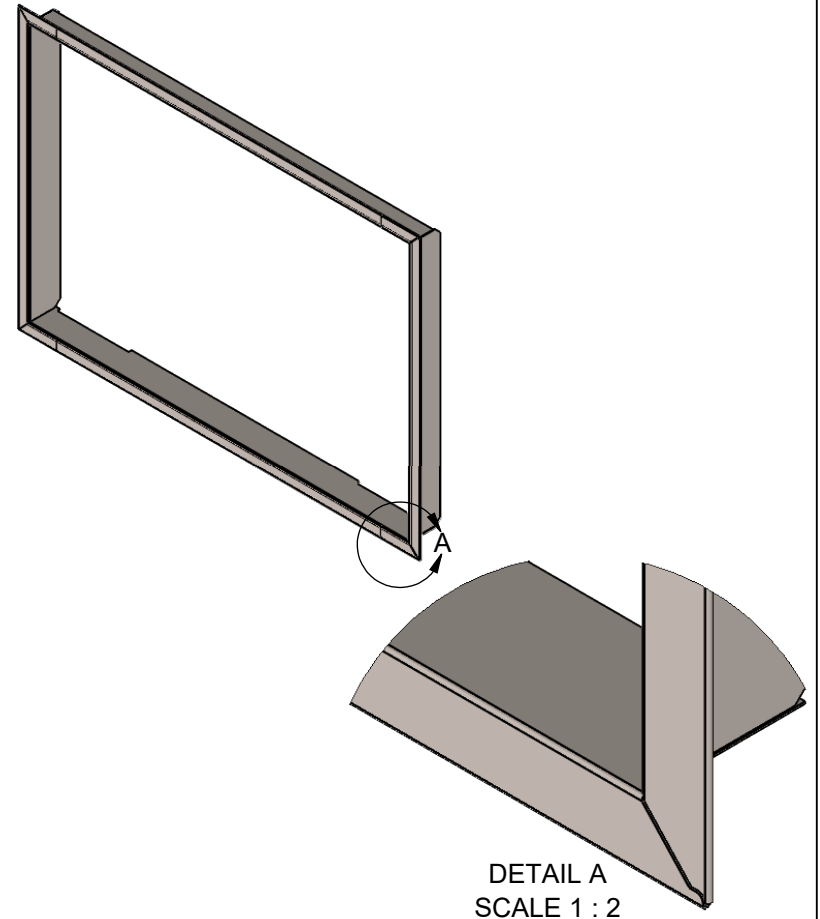
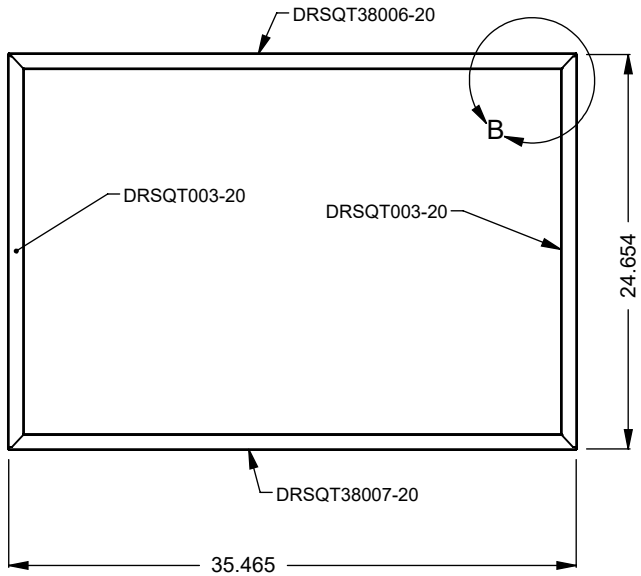
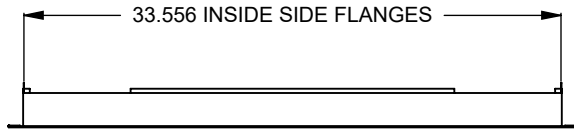
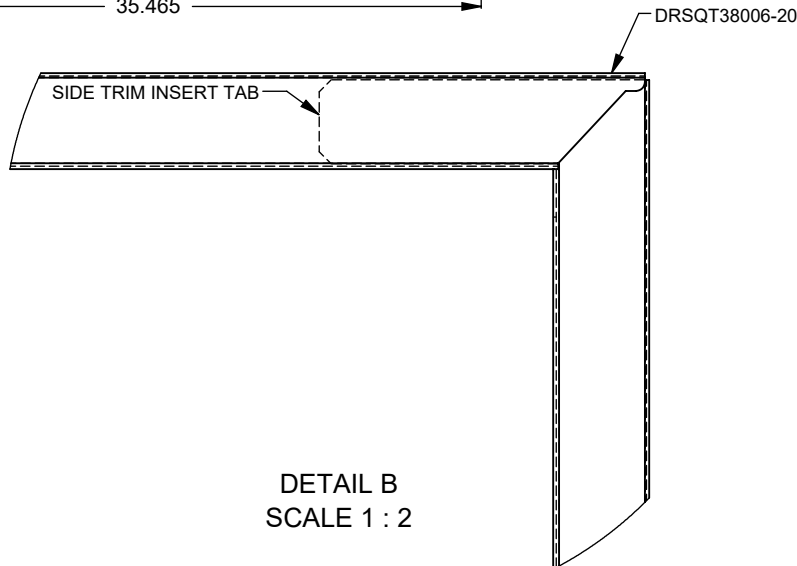


PROPRIETARY AND CONFIDENTIAL

| ITEM NO. | PART NUMBER   | DESCRIPTION | QTY. | REVISION | MATERIAL |
|----------|---------------|-------------|------|----------|----------|
| 1        | DRSQT38007-20 | BOTTOM TRIM | 1    | A        | SATIN/22 |
| 2        | DRSQT38006-20 | TOP TRIM    | 1    | B        | SATIN/22 |
| 3        | DRSQT003-20   | SIDE TRIM   | 2    | B        | SATIN/22 |



DETAIL A  
SCALE 1 : 2



DETAIL B  
SCALE 1 : 2

DRSQ38 1 1/2" - 2" in TRIM FRAME ASSY

DIMENSIONS ARE IN INCHES  
TOLERANCES:  
FRACTIONAL ± 1/32"  
TWO PLACE DECIMAL ± .015"  
THREE PLACE DECIMAL ± .005"  
ALL BENDS ARE ASSUMED  
TO BE 90° UNLESS NOTED  
OTHERWISE.

|            | NAME | DATE      |
|------------|------|-----------|
| DRAWN BY   | DB   | 3/25/2020 |
| CHECKED BY |      |           |
| MATERIAL   | MTK  |           |
| K-FACTOR   |      |           |

|            |                                |              |
|------------|--------------------------------|--------------|
|            |                                | REV.         |
|            |                                | A            |
| SIZE       | DWG. NO.                       |              |
| A          | DRSQ38 1.5-2in TRIM FRAME ASSY |              |
| SCALE 1:12 | WEIGHT:                        | SHEET 1 OF 2 |

Y:\Products\Residential Products\R&D Projects\DeRay Square\DeRay Square\TRIM\DRSQ38 1.5-2in CLEARANCE\DRSQ38 1.5-2in TRIM FRAME ASSY.FAS\$6, 2020 12:39:43 PM