

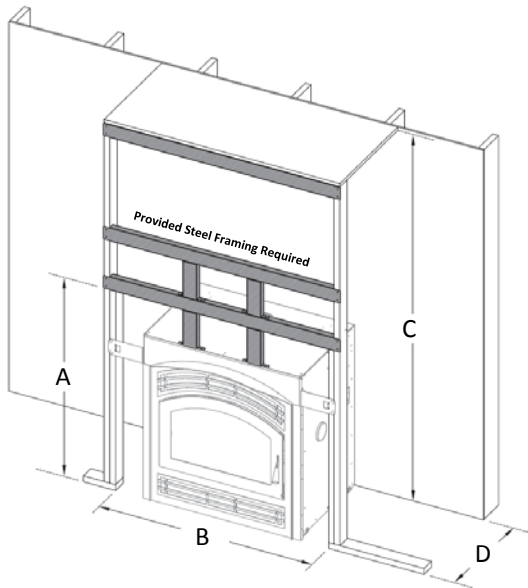
Please leave these reference guides at the installation location until the installation is finished. See owners manual for full installation and finishing instructions before making final decisions as information is subject to change.

Specifications (all measurements are in inches)

• ELECTRICAL ACCESS: LEFT SIDE

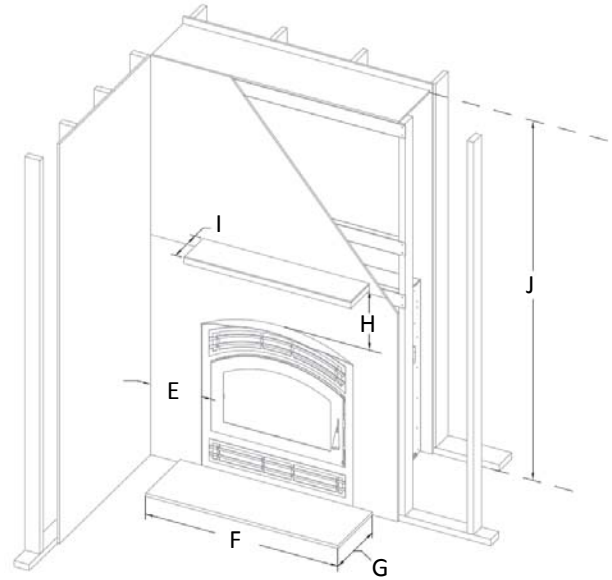
Model	BTU *Peak	Height		Front Width		Back Width		Depth		Glass Viewing Area
		Actual	Framing	Actual	Framing	Actual	Framing	Actual	Framing	
ALB	12,850 - 36,231/*49,133	42	51-1/4	39-3/8	54	39-3/8	54	26-3/16	26-1/4	25 x 15-1/2

Framing Opening



A	B	C	D
51-1/4	54	81	26-1/4

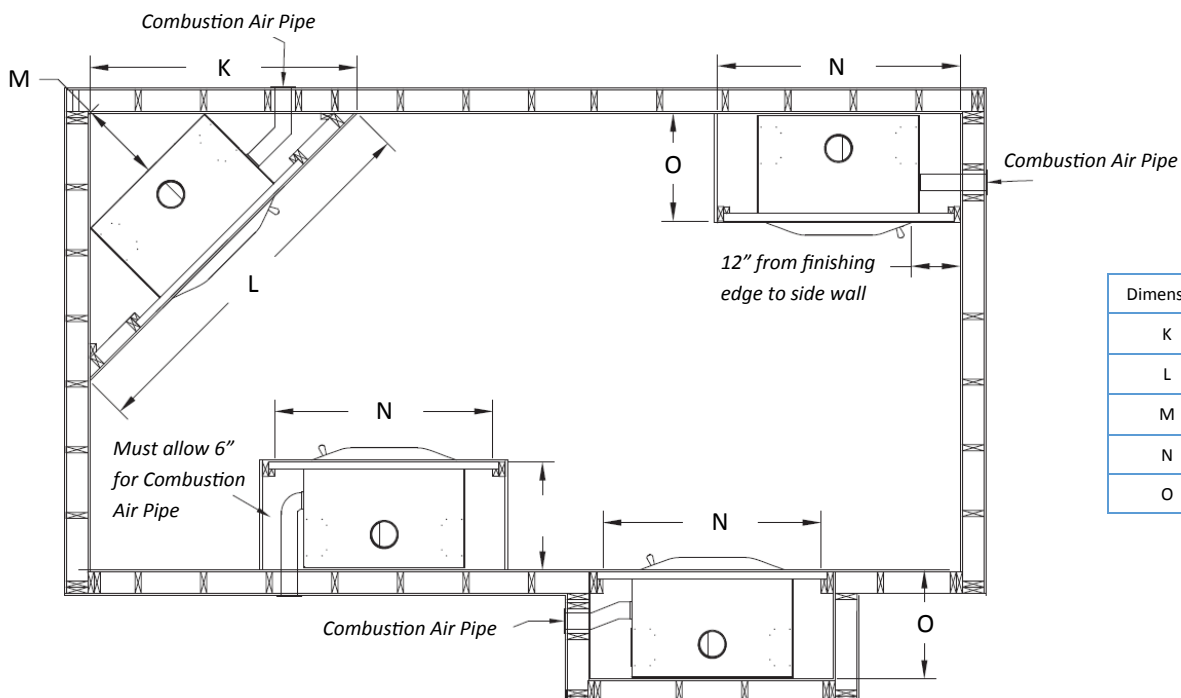
Placement Clearance Requirements



E	F	G	H	I	J
12	48	16	12	8	81

Combustible Mantel

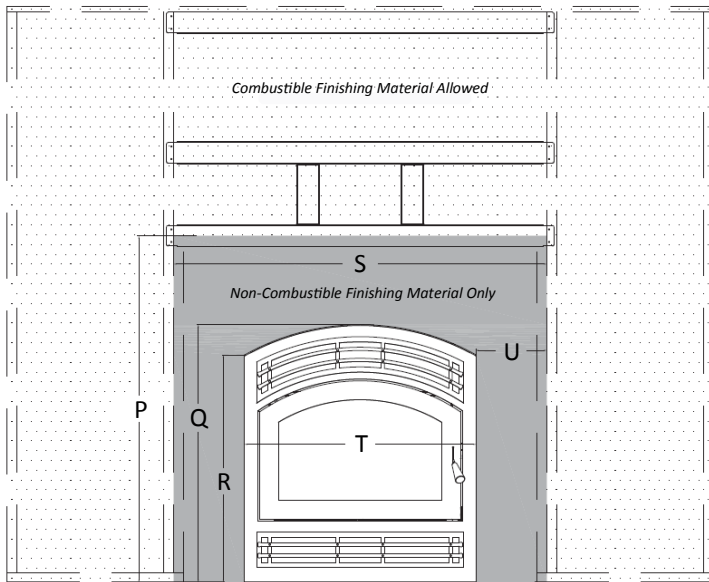
Clearances to Combustibles



Dimension	ALB
K	65-1/4
L	92-1/4
M	20
N	54
O	26-1/4

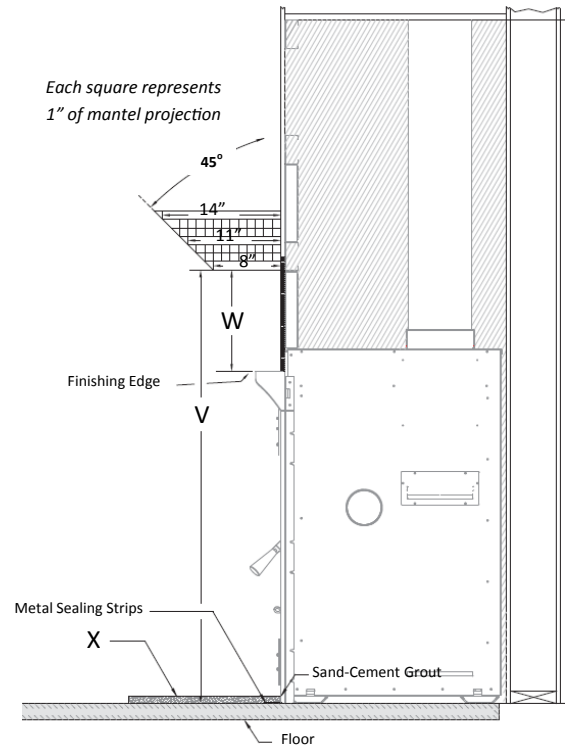
Finishing Dimensions

Combustible Mantel Clearances



Non-Combustible Finishing Material Only
 Combustible Finishing Material Allowed

P	Q	R	S	T	U
53	39-3/8	34-3/4	57	35-1/2	10-3/4



Each square represents 1" of mantel projection

45°

14"

14"

8"

W

Finishing Edge

V

Metal Sealing Strips

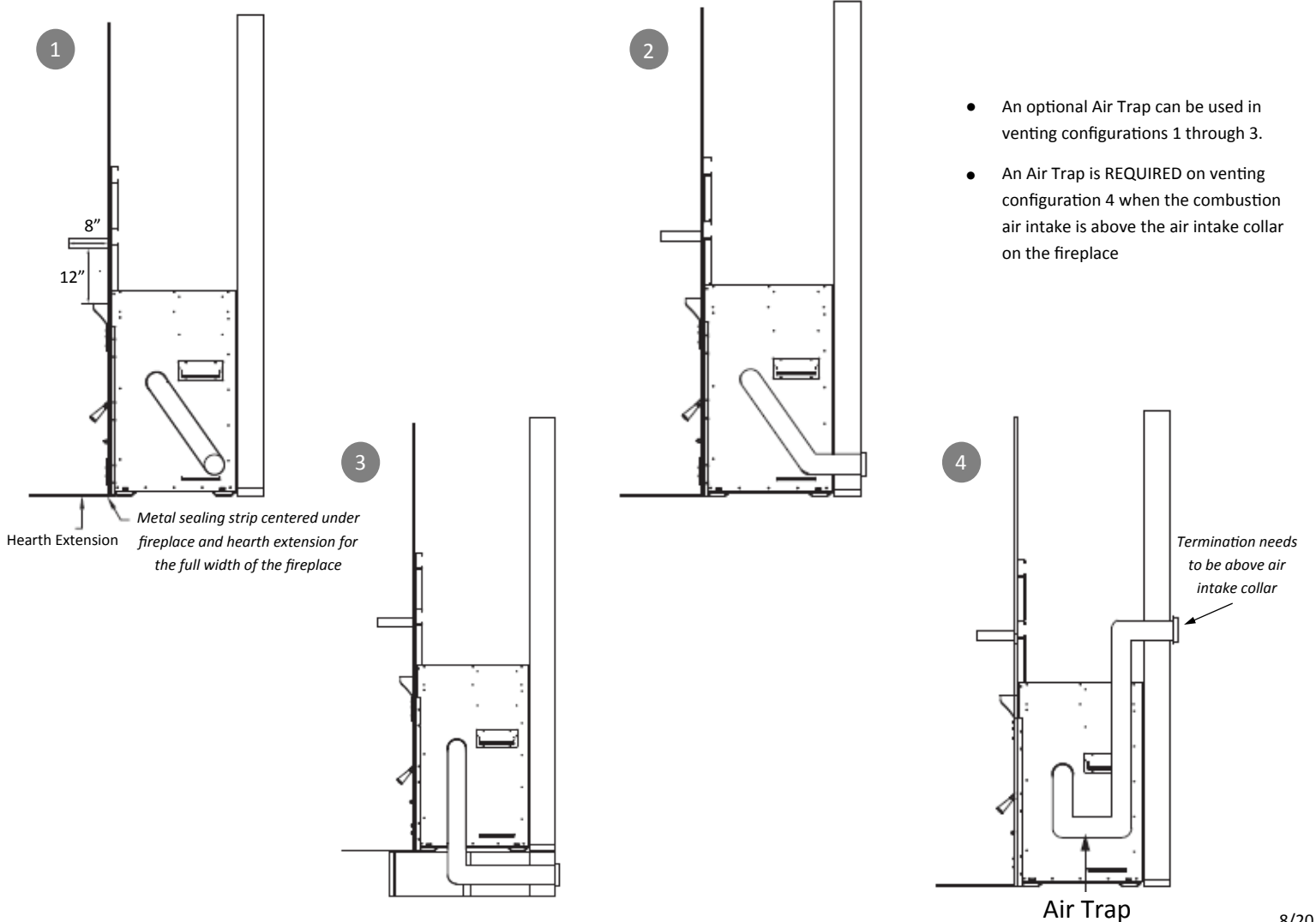
X

Sand-Cement Grout

Floor

V	W	X
51-3/8	12	16 D x 48 W

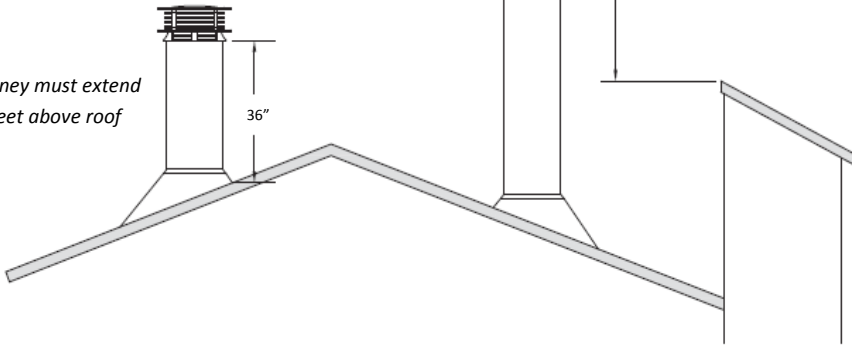
Combustion Air Intake Requirements / Configurations



Chimney Location and Considerations

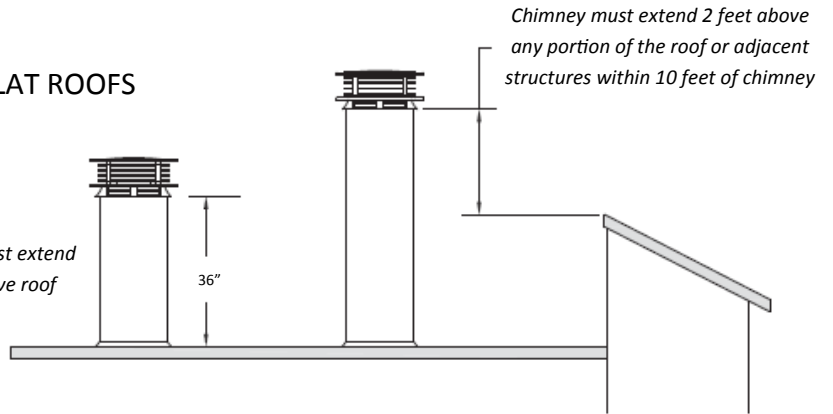
SLANTED ROOFS

Chimney must extend 3 feet above roof

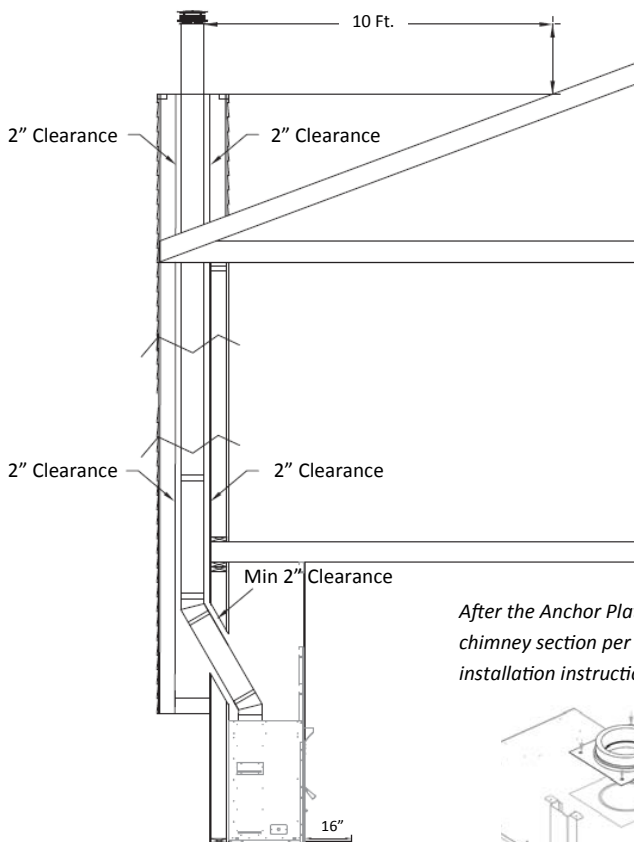


FLAT ROOFS

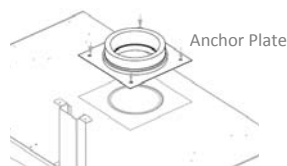
Chimney must extend 3 feet above roof



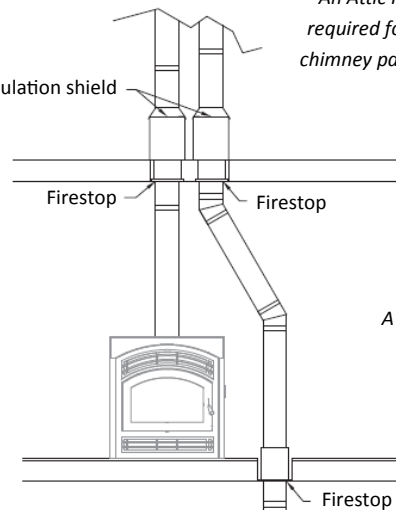
Chimney Installation



After the Anchor Plate, connect the first chimney section per chimney manufacturer's installation instructions



An Attic Insulation Shield is required for protection where chimney passes into attic space



A Firestop must be installed where chimney passes through each floor level