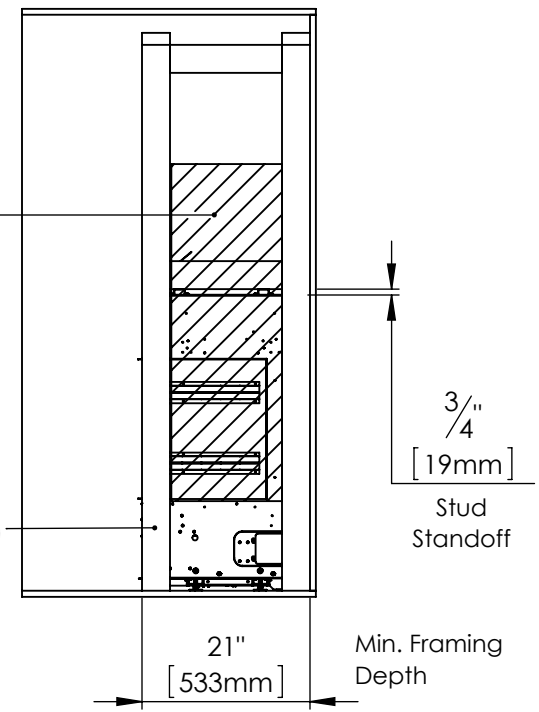


No framing obstructions in this area. Solid wall must be 3" (76mm) away

Front and rear studs can be placed up to triangle standoffs (1.5" or 38mm)



Min. Air Intake Height
165in sq Opening

UNLESS OTHERWISE SPECIFIED ALL DIMENSIONS IN INCHES			
TOLERANCE			
General	Hole Size	Hole Pos.	Angles
+/- .005	+/- .001	+/- .002	+/- .5
DIMENSIONS APPLY AFTER PLATING OR HEAT TREATMENT			
THREADS EXTERNAL CL 2A INTERNAL CL 2B			

MATERIAL		
DRAWN BY	DR	06/12/2019
CHECKED BY		
APPROVAL		

Sherwood Industries Ltd.		
Part Description		
U70 Single Sided Framing		
HEAT TREATMENT	FINISH	REV
SCALE- NOT TO SCALE		SHEET 1 OF 1