

# DreamCast Phantom 72

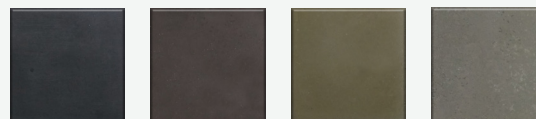
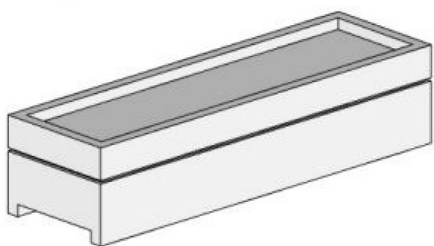
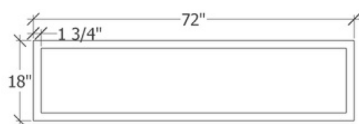
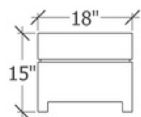
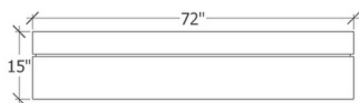
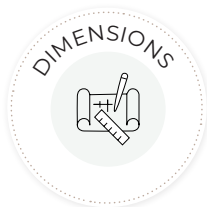


## DRAMATIC FIRE

Our **Phantom** Fire Pit is a stunning addition to any outdoor living area. With the focus entirely on the impressive linear flame, this unit is perfect either for an outdoor entertainment area or to create a space divider.

### Product Features/ Specifications:

- 65K BTU and 250K BTU
- Liquid Propane or Natural Gas
- Complimentary Lava Rocks
- Other media available for purchase
- Manual Lit Ignition (available for upgrade to Electronic Ignition - please contact for further information)
- Weight: 210 lbs.
- Overhead clearance: 84" - 120" (depending on burner) and 36" horizontally to combustibles.



CHARCOAL

CHOCOLATE

PORTOBELLO

HAZE



LONDON FOG

MIST

MOONLIGHT

CHALK

### Min. and Max. Gas Inlet Pressures:

The installer is responsible for using the correct fuel lines and/or regulation to provide gas to the fire feature within the specified minimum and maximum gas inlet pressures.

### Gas Inlet Pressures

Match Light	Minimum	Maximum
Natural Gas	3.5" W.C. (.8718Kpa)	7.0" W.C. (1.7436Kpa)
Liquid Propane	11.0" W.C. (2.7399 Kpa)	13.0" W.C. (3.2381 Kpa)

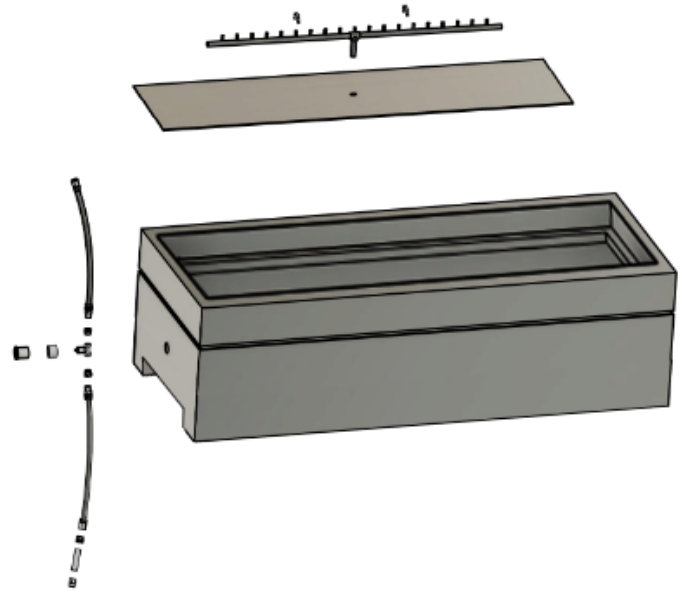
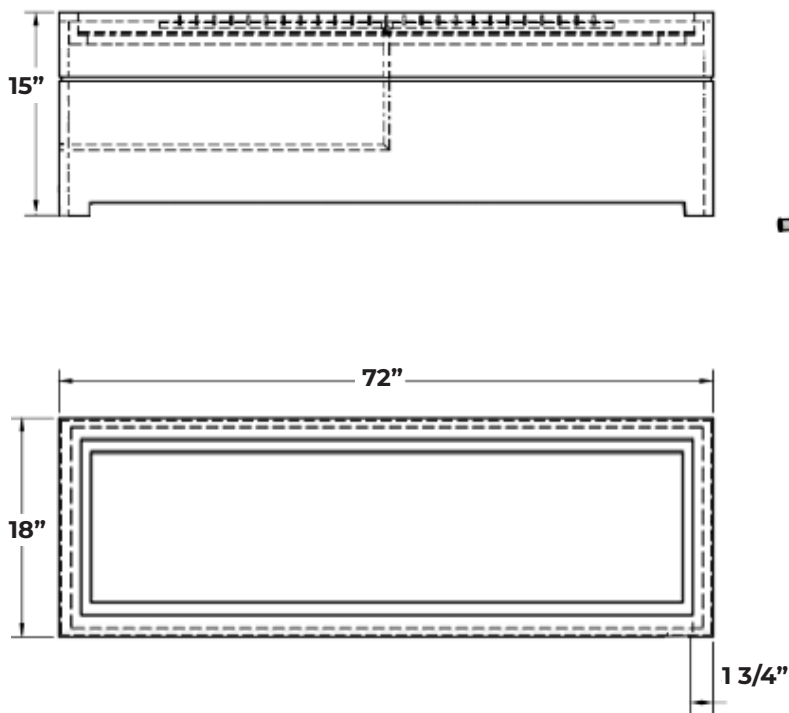
**DreamCast**  
Design & Production

Please contact us at **1-604-278-4939** with any questions. We also encourage you to explore our website at [www.dreamcastdesign.com](http://www.dreamcastdesign.com)

Our experienced team can assist you with product information, installation and design recommendations.

# Phantom 72

DreamCast



Warm up your days with this versatile aura fire bowl. Complete with an 8" rim for greater functionality this stunning fire bowl adds warmth and ambience to any outdoor space. Warm up your days with this versatile aura fire bowl. Complete with an 8" rim for greater functionality this stunning fire bowl adds warmth and ambience to any outdoor space.

**DreamCast**  
Design & Production

Please contact us at **1-604-278-4939** with any questions. We also encourage you to explore our website at [www.dreamcastdesign.com](http://www.dreamcastdesign.com)

Our experienced team can assist you with product information, installation and design recommendations.