

URBANA

LUXURY FIREPLACES

U30 & U30T

INSTALLATION MANUAL



WARNING: If the information in this manual is not followed exactly, a fire or explosion may result causing property damage, personal injury or loss of life. Installation and service must be performed by a qualified installer, service agency or the gas supplier.

CERTIFIED TO: ANSI Z21.88 / CSA 2.33 VENTED GAS FIREPLACE HEATERS
CSA 2.17 GAS FIRED APPLIANCES FOR HIGH ALTITUDES

C-16707

Retain this manual for future reference.

WARNING:

FIRE OR EXPLOSION HAZARD

Failure to follow safety warnings exactly could result in serious injury, death, or property damage.

- Do not store or use gasoline or other flammable vapours and liquids in the vicinity of this or any other appliance.
- **WHAT TO DO IF YOU SMELL GAS**
 - Do not try to light any appliance.
 - Do not touch any electrical switch; do not use any phone in your building.
 - Leave the building immediately.
 - Immediately call your gas supplier from a neighbor's phone. Follow the gas supplier's instructions.
 - If you cannot reach your gas supplier, call the fire department.
- Installation and service must be performed by a qualified installer, service agency or the gas supplier.

This appliance is only for use with the type of gas indicated on the rating plate. This appliance is not convertible for use with other gases.

Massachusetts installations (Warning): This product must be installed by a licensed plumber or gas fitter when installed within the Commonwealth of Massachusetts. Other Massachusetts code requirements: Flexible connector must not be longer than 36in., a shut off valve must be installed; only direct vent sealed combustion products are approved for bedrooms/bathrooms. A carbon monoxide detector is required in all rooms containing gas fired direct vent appliances. The fireplace damper must be removed or welded in the open position prior to installation of a fireplace insert.

- All Urbana gas-fired appliances must be installed in accordance with their instructions. Carefully read all the instructions in this manual first. Consult the building authority having jurisdiction to determine the need for a permit prior to commencing the installation.
- **WARNING:** Failure to follow these instructions could cause a malfunction of the fireplace, which could result in death, serious bodily injury, and/or property damage.
- Failure to follow these instructions may also void your fire insurance and/or warranty.
- Installation and repair should be done by a qualified service person. The appliance should be inspected before the first use and, at least, annually by a qualified service person. More frequent cleaning may be required due to excessive lint from carpeting, bedding material, etc. It is imperative that the control compartments, burners and circulating air passageways of the appliance be kept clean.
- Due to high temperatures, the appliance should be located out of high traffic areas and away from furniture and draperies.
- Children and adults should be alerted to the hazards of high surface temperatures and should stay away to avoid injury.
- Young children should be carefully supervised when in the same room as the appliance. Toddlers, young children and others may be susceptible to accidental contact burns. A physical barrier is required if there is a risk for individuals in the house. To restrict access to a fireplace or stove, install an adjustable safety gate to keep toddlers, young children and other at risk individuals out of the room and away from hot surfaces. Any safety screen, guard, or barrier removed for servicing an appliance must be replaced prior to operating the appliance.
- Clothing or other flammable materials should not be placed on or near the appliance.
- A barrier designed to reduce the risk of burns from the hot viewing glass is provided with this appliance and shall be installed for the protection of children and other at-risk individuals. If the barrier becomes damaged, the barrier shall be replaced with the manufacturer's barrier for this appliance.

FOR YOUR SAFETY

- Installation and service must be performed by a qualified installer, service agency, or gas supplier.
- This installation must conform to local codes or, in the absence of local codes, with the National Fuel Gas Code, ANSI Z223.1/NFPA 54, or the Natural Gas and Propane Installation Code, CSA B149.1.
- To prevent injury, do not allow anyone who is unfamiliar with the fireplace to operate it.
- To prevent injury, if the pilot or pilot and burners have gone out on their own, wait 5 minutes to air out before attempting to re-light the appliance.
- Always keep the area around these appliances clear of combustible material, gasoline and other flammable liquids or vapours.
- These appliances should not be used as a drying rack for clothing or for hanging Christmas stockings/decorations.
- Due to the paint curing on the unit, a faint odor and slight smoking will likely be noticed when the stove is first used. Open some windows until the smoking stops.
- Always connect this gas appliance to a vent system and vent to the outside of the building envelope. Never vent to another room or inside the building. Make sure the specified vent pipe is used, properly sized and of adequate height to provide sufficient draft. Inspect the venting system annually for blockage and signs of deterioration.
- **WARNING:** Failure to position the parts in accordance with the diagrams in this booklet, or failure to use only parts specifically approved with this appliance, may result in property damage or personal injury.
- **WARNING:** Do not operate with the glass front removed, cracked, or broken. Replacement of the glass should be done by a licensed or qualified service person.
- Never use solid fuels such as wood, paper, cardboard, coal, or any flammable liquids, etc., in this appliance.
- Do not use this appliance if any part has been under water. Immediately call a qualified service technician to inspect the appliance and to replace any part of the control system or any gas control which has been under water.
- Do not abuse the glass by striking it or slamming the door shut. If the Urbana unit is pulled out of its installation, and the vent-air intake system is disconnected for any reason, ensure that the vent-air intake pipes are reconnected and re-sealed in accordance to the instructions noted in Initial Installation - Direct Vent


DANGER



**HOT GLASS WILL
CAUSE BURNS**

**DO NOT TOUCH GLASS
UNTIL COOLED.**

**NEVER ALLOW CHILDREN
TO TOUCH GLASS.**

A barrier designed to reduce the risk of burns from the hot viewing glass is provided with this appliance and must be installed for the protection of children and other at-risk individuals.

DIRECT VENT ONLY: This type is identified by the suffix DV. This appliance draws all of its air for combustion from outside the dwelling, through a specially designed vent pipe system.

This appliance has been tested and approved for installations from 0 feet to 4500 feet (1372 m) above sea level.

In the USA: The appliance may be installed at higher altitudes. Please refer to your American Gas Association guidelines which state: the sea level rated input of Gas Designed Appliances installed at elevations above 2000 (610 m) feet is to be reduced 4% for each 1000 feet (305 m) above sea level. Refer also to local authorities or codes which have jurisdiction in your area regarding the de-rate guidelines.

In Canada: When the appliance is installed at elevations above 4500 feet (1372 m), the certified high altitude rating shall be reduced at the rate of 4% for each additional 1000 feet (305 m).

- This appliance has been tested by INTERTEK and found to comply with the established VENTED GAS FIREPLACE HEATER standards in CANADA and the USA as follows:

VENTED GAS FIREPLACE HEATER (U30, U30T; NATURAL GAS, PROPANE GAS)

CERTIFIED TO: ANSI Z21.88 / CSA 2.33 VENTED GAS FIREPLACE HEATERS

CSA 2.17 GAS FIRED APPLIANCES FOR HIGH ALTITUDES

This Urbana Fireplace:

- Has been certified for use with either natural gas or propane (see rating label).
- Is not for use with solid fuels.
- Is approved for a bedroom or bed sitting room. (**IN CANADA:** must be installed with a listed wall thermostat.
IN USA: see current ANSI Z223.1 for installation instructions.)
- Must be installed in accordance with local codes. If none exist, use current installation code CAN/CGA B149.1 in Canada or ANSI Z223.1/NFPA 54 in the USA.
- Must be properly connected to an approved venting system and not connected to a chimney flue serving a separate solid-fuel burning appliance.

IMPORTANT NOTICE (Regarding first fire up): When the unit is turned on for the first time, it should be turned onto high for the first 4 hours. This will cure the paint, logs, gasket material and other products used in the manufacturing process. It is advisable to open a window or door, as the unit will start to smoke and can irritate some people. After the unit has gone through the first burn, turn the unit off including the pilot, let the unit get cold then remove the glass door and clean it with a good gas fireplace glass cleaner, available at your local URBANA dealer.

**NATIONAL
FIREPLACE
INSTITUTE**



CERTIFIED

www.nficertified.org

We recommend that our gas hearth products be installed and serviced by professionals who are certified in the U.S. by the National Fireplace Institute® (NFI) as NFI Gas Specialists.

Contents

Unit Dimensions.....	6
Rating Label Location.....	6

Unpacking & Initial Setup 8

Crate Unpacking	8
Glass Shipping Brace Removal.....	9
Pallet Bracket Removal	9
Lift Handle Assembly	9
Heat Shield Installation	10
Leg Height Adjustment	10
Fireplace Leveling	11
Electrical Connection	11
Gas Connection	12
Gas Supply Varification	14
Valve Access	14

Maintenance and Service 15

Maintenance and Service	15
Fan Removal and Maintenance.....	15
Component Tray Map	16
Fuse Replacement - Fan and Top Light	16
Snap Disc	16
Pilot Light.....	17
Air Shutter (Venturi)	17
Remote Syncing	18
Power Vent (PV) Switch	18
Top Light Replacement	19
Burner Removal	19
Safety Circuit System	20
Safety Circuit Components.....	20
Outer Glass Removal.....	21
Louver Removal	22
Inner Glass Removal	23

Initial Setup 24

Media Placement (LED Unit).....	24
Media Placement (Standard Unit).....	24
Final Firebox Sealing	25
(U30T ONLY) Final Firebox Sealing	25

Framing and Installation 26

Chase Framing	26
Framing Air Gaps	26
Framing Air Options	26
Minimum Framing Clearances	27
Framing Pedestal.....	31
Framing Valance	31

Framing Corner and Extension	33
Crawl Space / Basement Intake	34
HDTV and Recess Clearances	35

Venting 36

Venting Introduction:.....	36
Vent Termination Restrictions.....	37
Vertical Termination.....	38
Horizontal Termination:	39
Venting Clearances	40
Minimum Vent Clearances	40
Wall / Ceiling Thimble.....	41
Approved Rigid Venting	41
Flex Venting:.....	42
Approved Flex Venting:.....	42
Approved Venting Configurations (NG) :	43
Approved Venting Configurations (LP) :.....	44
Exhaust Restrictor Settings:.....	45
Exhaust Restrictor Adjustment:	45

Parts List 46

Troubleshooting 49

Wiring Diagram 51

Installation Reference Guide 52

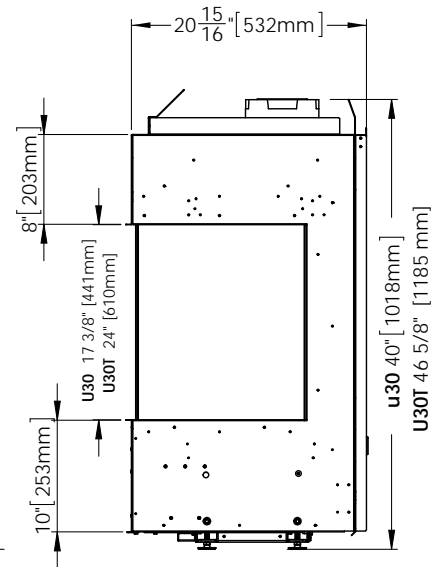
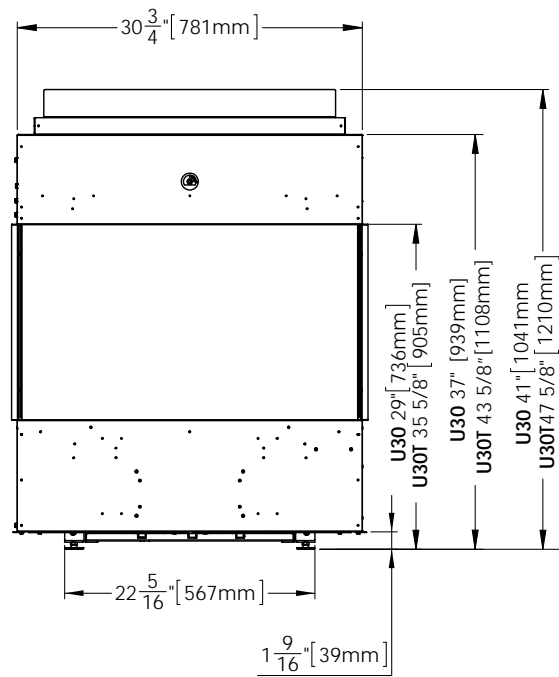
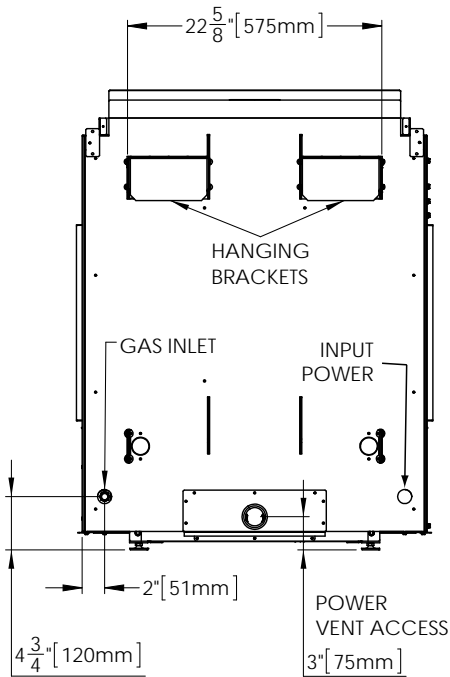
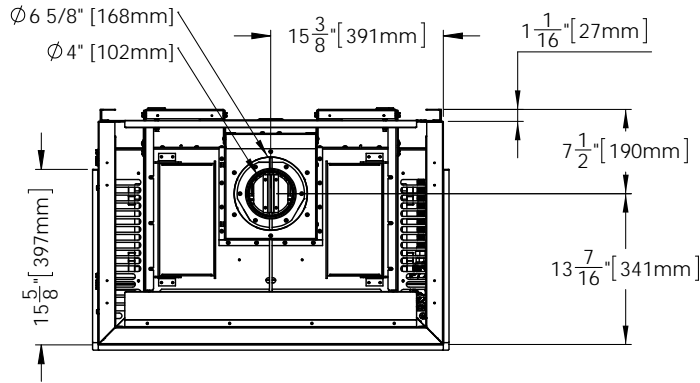
Notes 53

Warranty 55

URBANA

LUXURY FIREPLACES

Unit Dimensions



Rating Label Location

Remove the outer glass barrier to access the rating label and lighting instructions. The label is attached to a length of wire and is never to be tampered with or removed. All important information for your fireplace is on this label such as the model specific serial number which you will need for warranty information. The label is located inside the front right corner of the cabinet behind the cooling fan.

**For Your Safety, Read Safety Precautions And
Lighting Instructions Before Operating**

**WARNING: IF YOU DO NOT FOLLOW THESE INSTRUCTIONS EXACTLY THEN A
FIRE OR EXPLOSION MAY RESULT, CAUSING PROPERTY DAMAGE, PERSONAL
INJURY OR LOSS OF LIFE.**

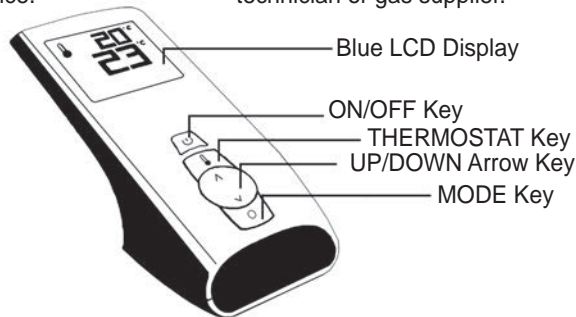
FOR YOUR SAFETY READ BEFORE OPERATING

**WARNING: IF YOU DO NOT FOLLOW THESE INSTRUCTIONS EXACTLY, A FIRE OR EXPLOSION
MAY RESULT CAUSING PROPERTY DAMAGE, PERSONAL INJURY OR LOSS OF LIFE.**

- A. This appliance is equipped with an ignition device which automatically lights the pilot. Do not try to light the pilot by hand.
- B. BEFORE OPERATING smell all around the appliance area for gas. Be sure to smell next to the floor because some gas is heavier than air and will settle on the floor.
- WHAT TO DO IF YOU SMELL GAS:
- Do not try to light any appliance.
 - Do not touch any electrical switch; do not use any phone in your building.
 - Immediately call your gas supplier from a neighbor's phone. Follow the gas supplier's instructions.
 - If you cannot reach your gas supplier, call the fire department.
- C. Use only your hand to push in or turn the gas control knob. Never use tools. If the knob will not push in or turn by hand, don't try to repair it, call a qualified service technician. Force or attempted repair may result in a fire or explosion.
- D. Do not use this appliance if any part has been under water. Immediately call a qualified service technician to inspect the appliance and to replace any part of the control system and any gas control which has been under water.

OPERATING INSTRUCTIONS

1. STOP! Read the safety information above on this label.
2. Read the owner's manual including the section on "Remote Control" operation.
3. Set the thermostat to the lowest setting.
4. Turn off all electric power to the appliance.
5. Do not attempt to light the pilot by hand.
6. Wait five (5) minutes to clear out any gas. Then smell for gas, including near the floor. If you smell gas, STOP! Follow "B" in the safety information above on this label. If you don't smell gas, go to the next step.
7. Turn on all electric power to the appliance.
8. Using the remote control, set thermostat to desired setting, or press the ON/OFF key on the remote. "ON" will be indicated on the display of the remote and an audible "beep" will be heard at the unit to indicate the command has been received.
9. This appliance is equipped with a completely automatic ignition and lighting control. The control will attempt to light the pilot several times if necessary. If it is unsuccessful, it will discontinue operations. If the appliance will not operate, follow the instructions "To Turn Off Gas To Appliance" and call your service technician or gas supplier.

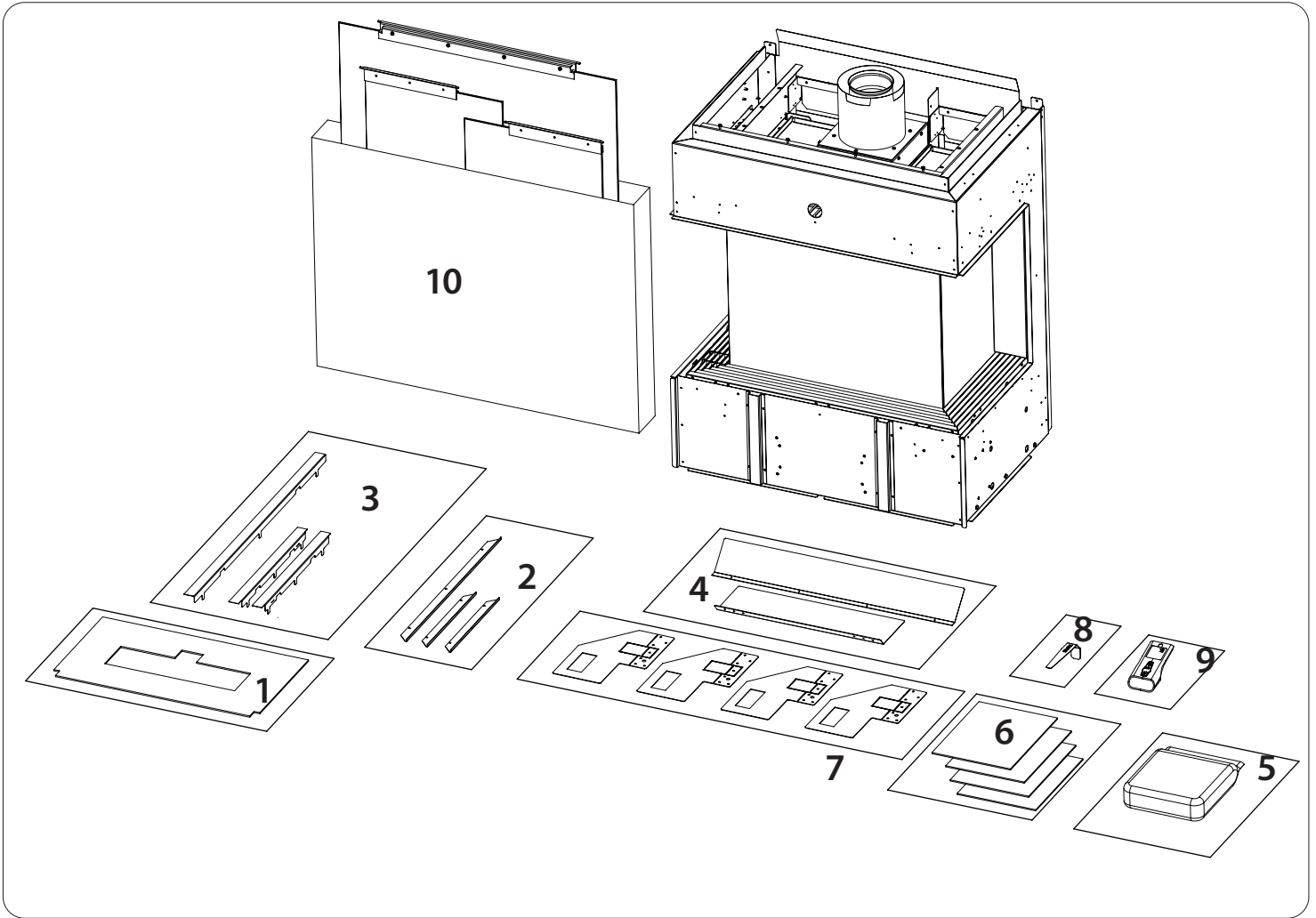


TO TURN OFF GAS TO APPLIANCE

1. Set thermostat to lowest setting, or press the ON/OFF Key. "OFF" will be indicated on the display and an audible "Beep" will be heard at the unit to indicate the command has been received.
2. Turn off all electric power to the appliance if service is to be performed.

C-12455

Crate Unpacking



Unpacking Parts

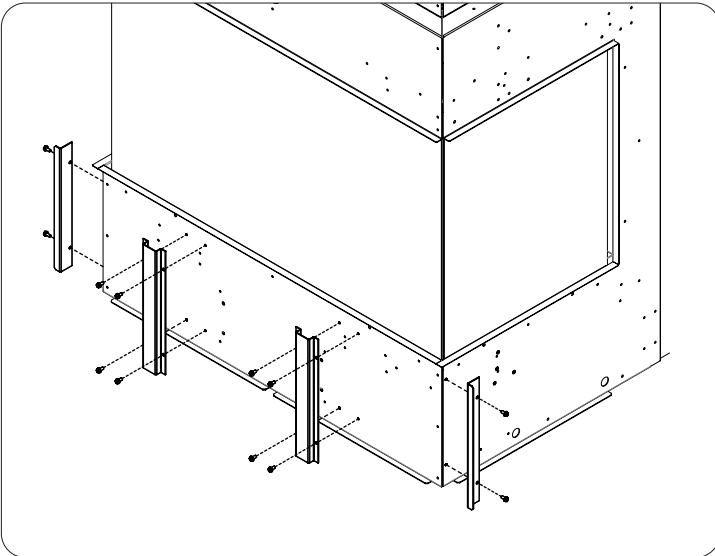
1	Steel Bezel Plate	6	Documentation
2	Media Stops	7	Carrying Handles
3	Finishing Edges	8	Switch Tool
4	Heat Shields	9	Wifi Enabled Remote Control
5	Burner Media (Vermiculite or Glass)	10	Outside Glass

1 - Media stops only required on Non-LED units if an optional media is used instead of the painted steel bezel set. Media stops come pre-installed on LED units.

Glass Shipping Brace Removal

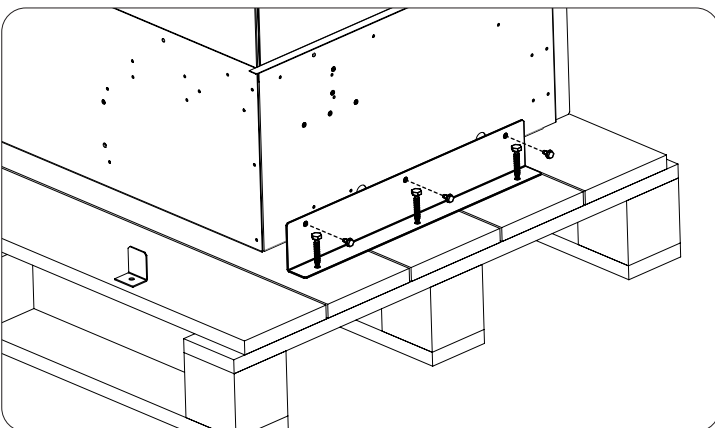
The unit comes with glass shipping brackets to protect the glass while in transit. The brackets need to be removed before installation.

Use a 1/4 socket to remove the fasteners holding brackets on and discard.



Pallet Bracket Removal

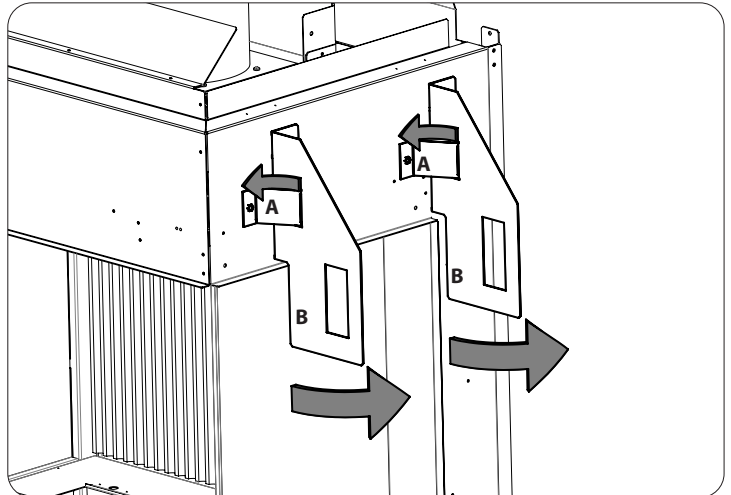
Use a 5/16" socket to remove the pallet brackets on both sides of the unit. These can be discarded.



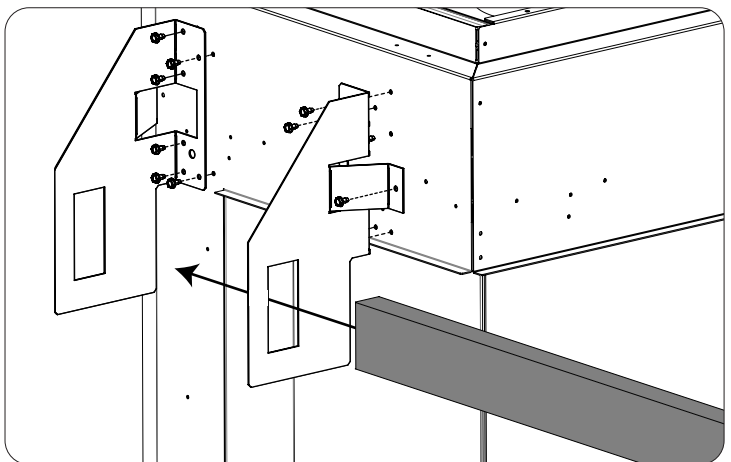
Lift Handle Assembly

The lifting handles come attached to the unit. You will need to assemble the brackets using the bend tabs in order to lift the unit into place. The handles have been designed to be used with 2X4 lumber. Assemble as follows:

1. Cut two 2X4 no shorter than 18" (this is the minimum distance needed to safely span both handles).
2. Bend support leg into position (**labelled A**).



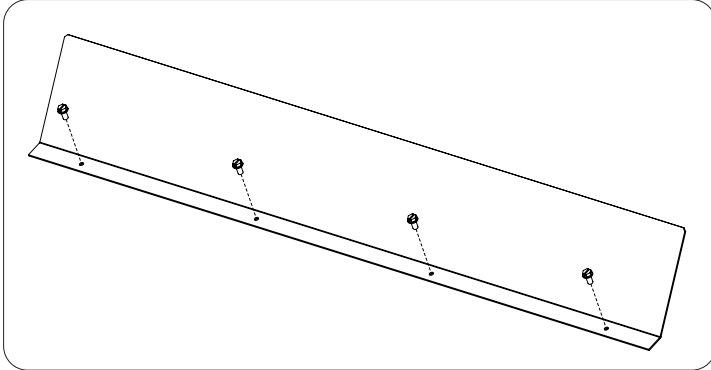
3. Bend handles perpendicular to fireplace as shown in image above (**labelled B**)
4. Use a 5/16 socket to remove lone fastener
5. Line up the support leg hole and secure with lone fastener (**Labelled A**).



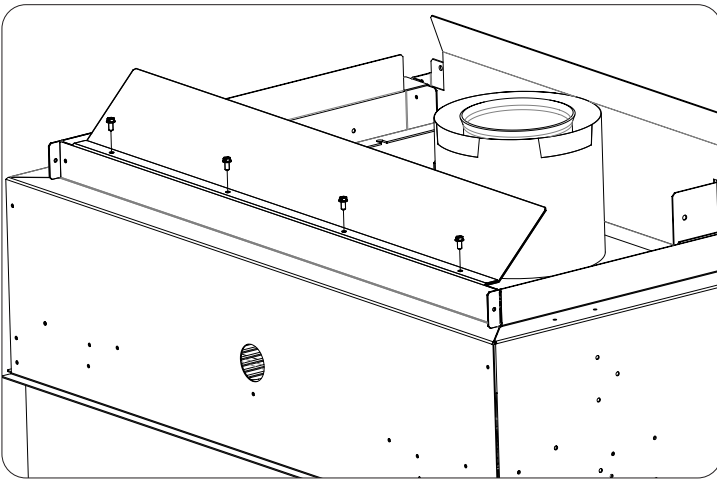
6. Slide 2X4 through handles on each side to create a strong lifting point.
7. Move U30 into position. Remove handles and discard.

Heat Shield Installation

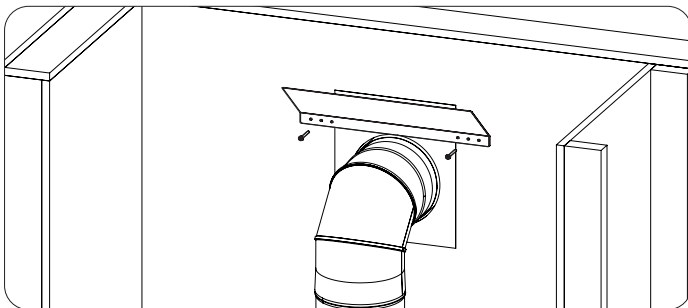
The fireplace comes with two heat shields. The heat shields are necessary for the safe fireplace operation. **The cabinet heat shield is mandatory for all installations, install it as follows:**



1. The fasteners come pre-installed in the shield; use a 1/4" socket to remove.



2. Place heat shield underneath the cabinet lip; resecure fasteners to install.

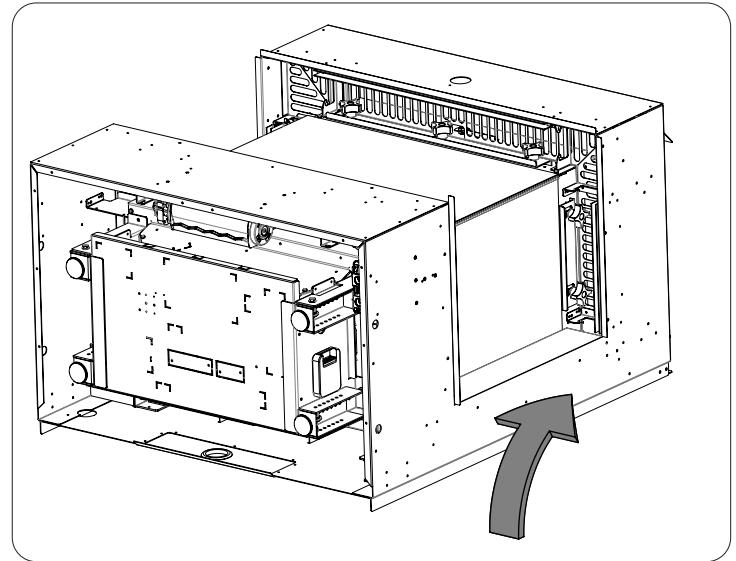


3. (Situational) For later use, install the vent heat shield above first wall pass-through. This only applies to "up and out" venting configurations.

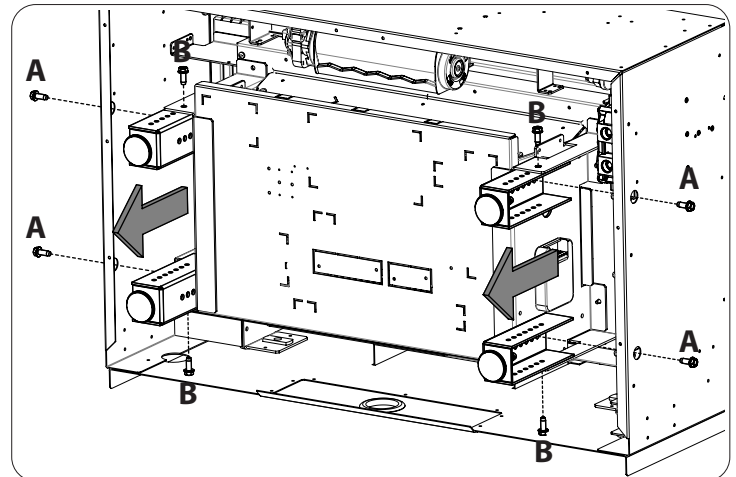
Leg Height Adjustment

(Optional) Urbana units have adjustable legs that can raise the height, in 1/2" increments, up to an additional 3" (76mm). This may be desired depending on the install configuration. Adjust as follows:

1. With help, gently lay the unit on its



back to access the adjustable legs.



2. Use a 3/8 socket with 6" extension (minimum) to access fasteners. Remove side fasteners (Labelled A).

3. Remove end fasteners (Labeled B)

4. Adjust legs to desired height ensuring all 4 legs are equal. Legs adjust in 1/2" increments.

5. Reinstall fasteners and bring unit to its feet.

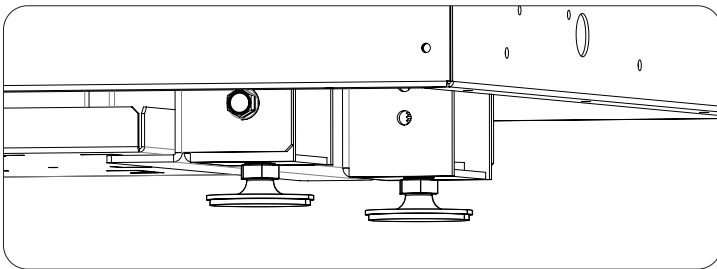
Fireplace Leveling

NOTES:

- 1: It is essential to level the unit from proper operation.**
- 2: This step is not necessary when wall mounting unit.**

All Urbana units come with leveling feet to accommodate uneven surfaces. The leveling feet can also be used to raise the height of the fireplace up an additional 1" (25 mm). Ensure the fireplace is in its final position before proceeding.

Leveling feet come fully inserted; you will need to unscrew the feet to see any adjustment (no lock nut used). Adjust as follows:



1. Use a level on the top of the unit to determine which feet need adjustment.
2. Use a 9/16 wrench to unscrew the feet to make the necessary adjustments.
3. Verify fireplace is level in all 3 planes.

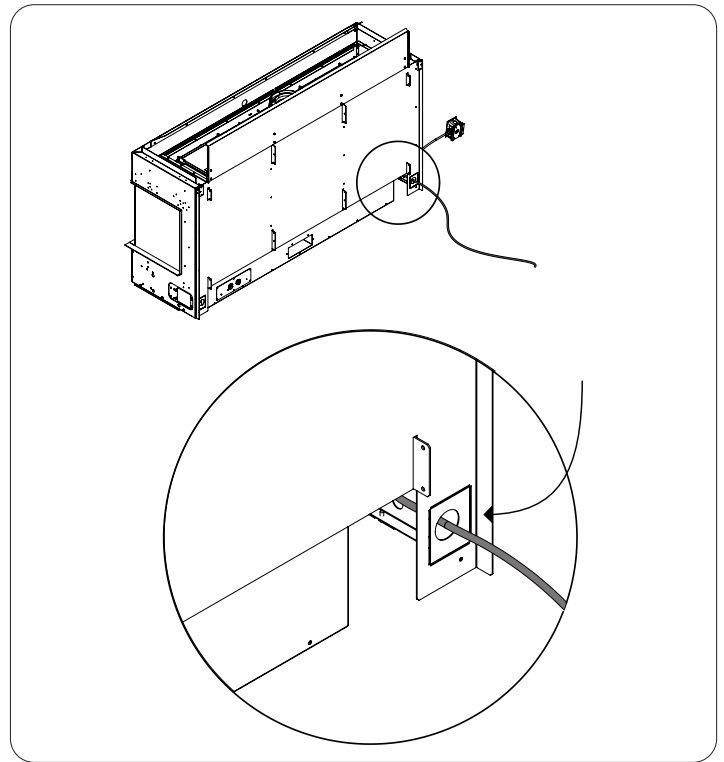
Electrical Connection

WARNING: This fireplace must be electrically connected and grounded in accordance with local codes or, in the absence of local codes, with the current CSA C22.1 Canadian Electrical Code Part 1, Safety Standards For Electrical Installations, or The National Electrical Code ANSI / NFPA 70 in the US.

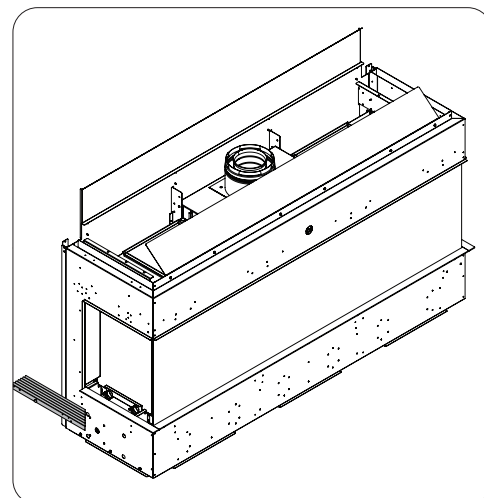
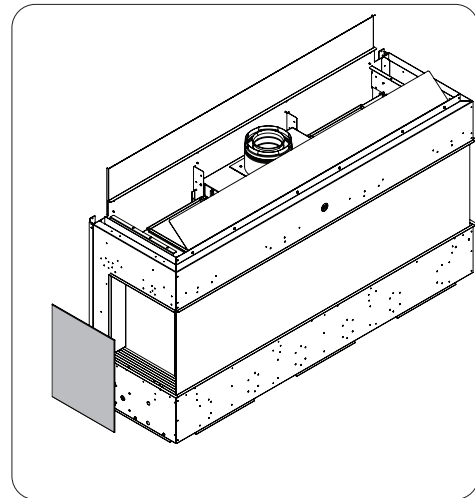
Electrical Requirements:

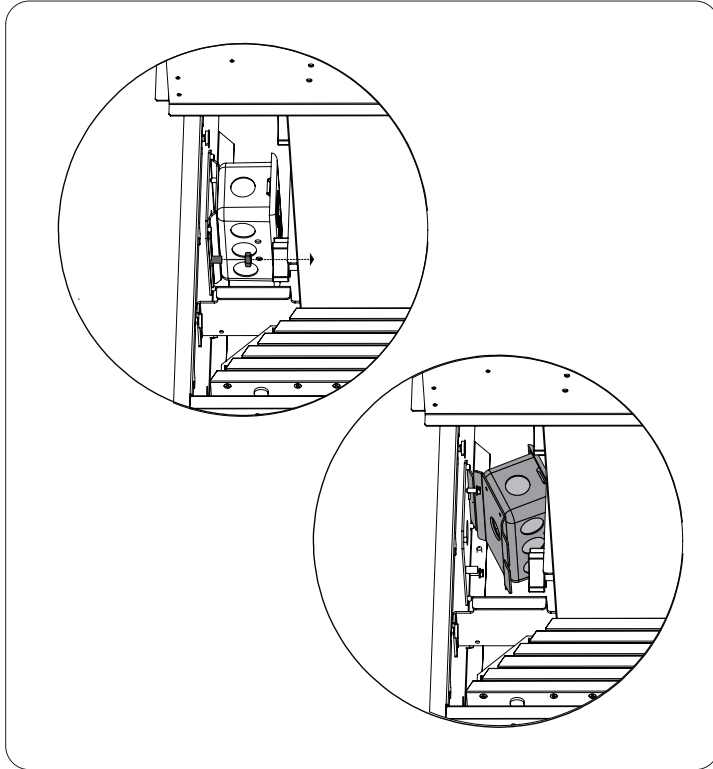
120VAC 15A (dedicated circuit recommended). Appliance receptacle must be hardwired with coated 14/2 AWG (minimum) copper electrical wire such as Lumex or Romex. Consult your electrical code for further details. Wire your unit as follows:

1. Run wire to left rear of unit (see below); be sure wire is NOT live.



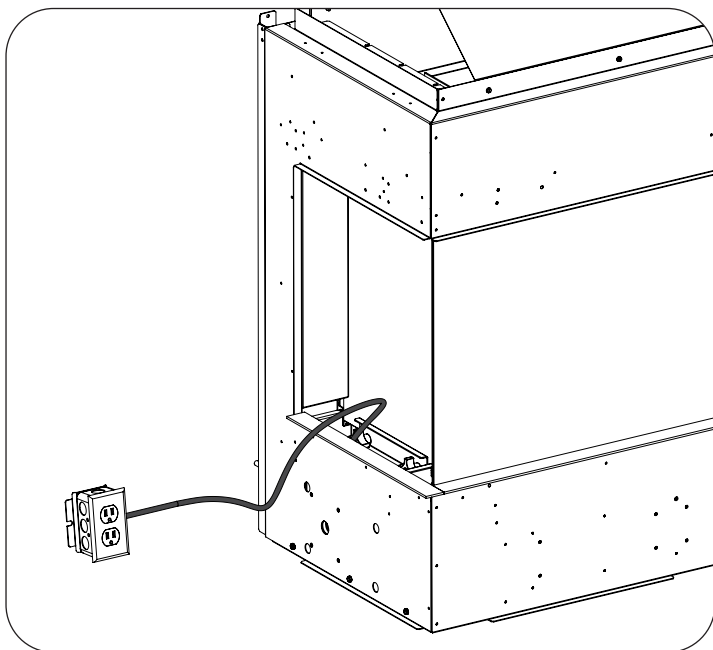
2. Remove the outer glass and left side louver (pages 22-23) and locate the electrical junction box.



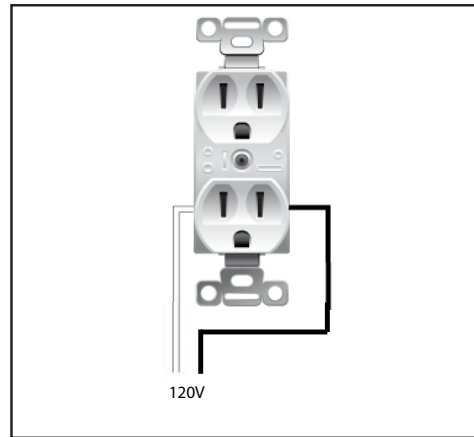


3. Use a 7/16" socket to remove the two 1/4-20 nuts retaining the electrical junction box and unplug the fireplace power cord from the receptacle.

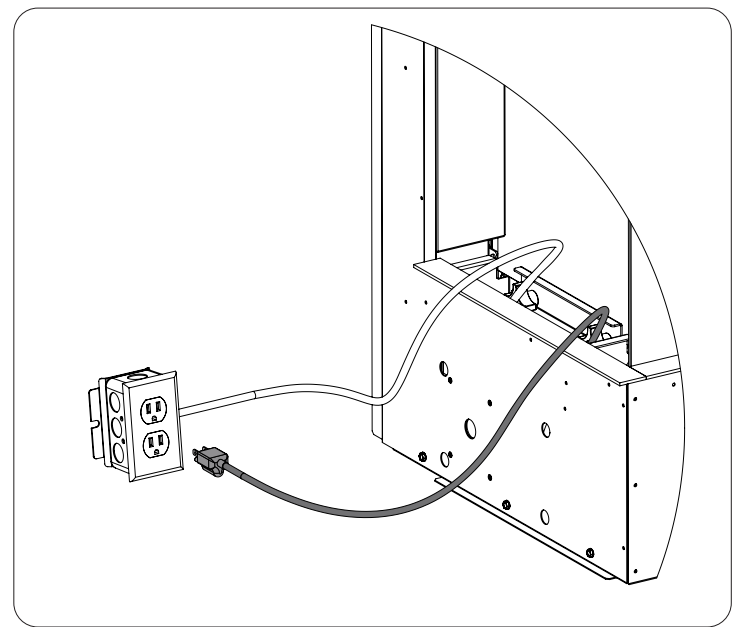
4. Remove the junction box from the fireplace and run the incoming power wire through the desired knock-out and into the box.



5. Wire the receptacle including ground wire.



6. Plug the fireplace power cord back into the receptacle and re-install the junction box.



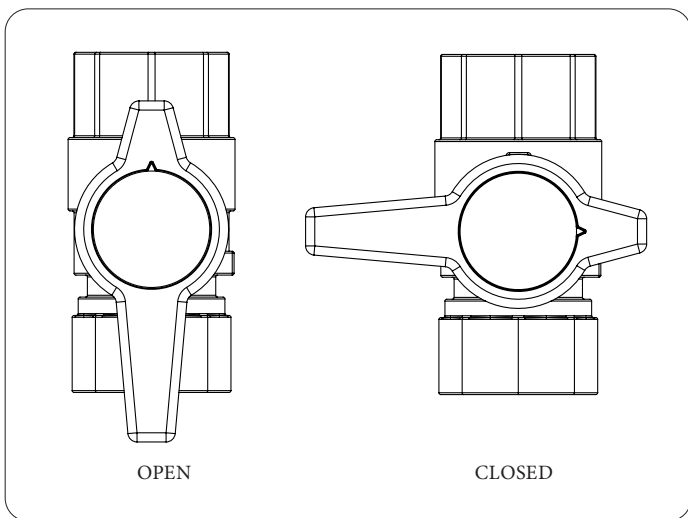
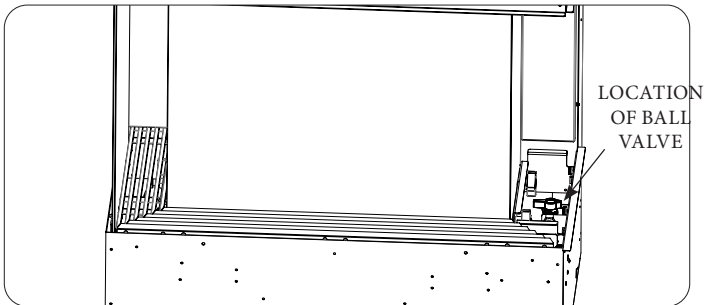
7. Apply power and ensure connection was made successfully.

Gas Connection

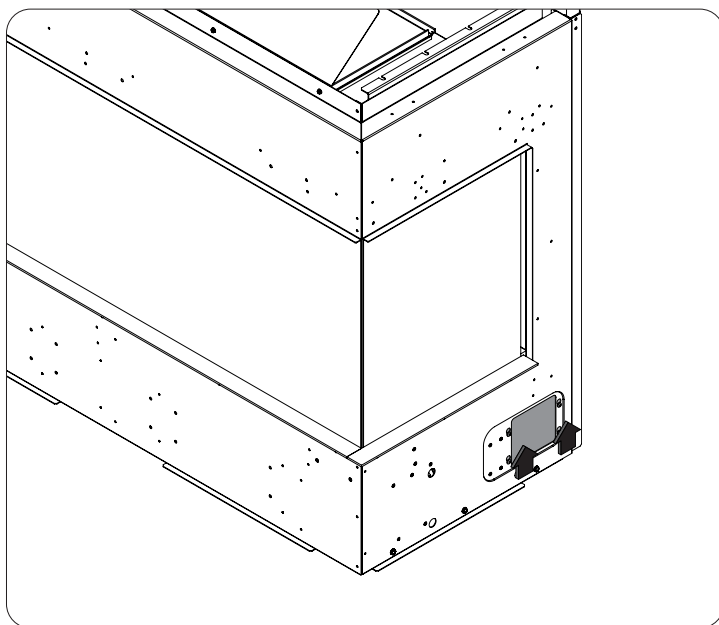
WARNING:
ONLY PERSONS LICENSED TO WORK WITH GAS PIPING MAY MAKE THE NECESSARY GAS CONNECTIONS TO THIS APPLIANCE.

NOTE:
Consult your local authorities codes or the CAN/CGA B 149 (1 or 2) installation code in Canada, or in the USA gas installations follow either local codes or the current edition of the National Fuel Gas Code ANSI Z223.1.

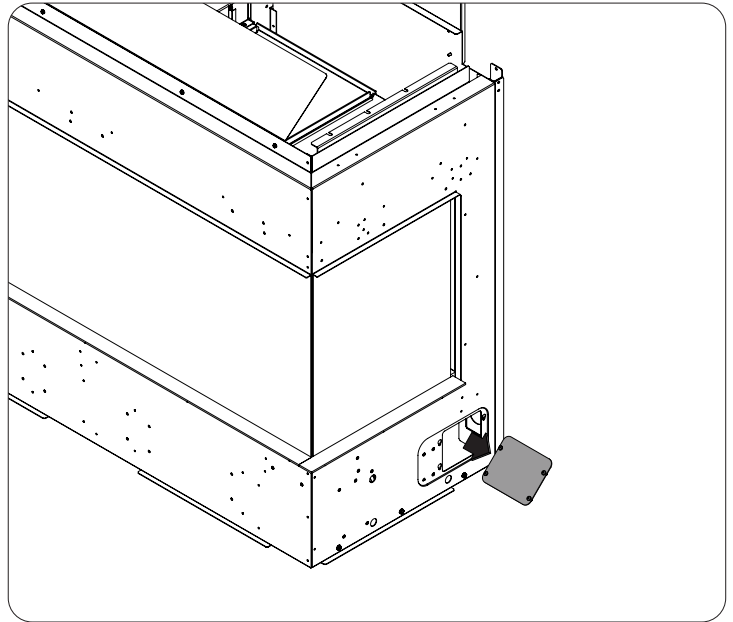
1. Remove outer glass (see page 21).
2. Remove the right louver (see page 22) and locate the gas shut-off valve.
3. Ensure the valve is closed.



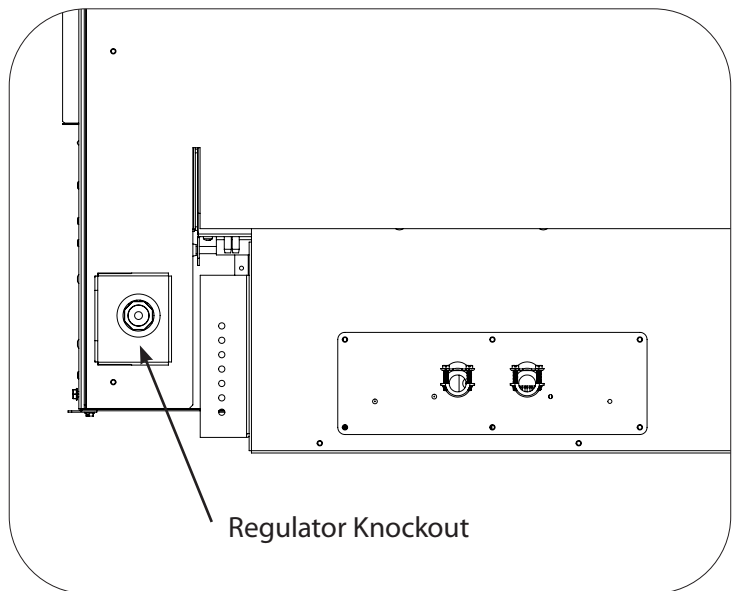
4. Next, locate the recessed access plate near the bottom of the right cabinet side and loosen the 4 screws using a T20 screwdriver.



5. To remove the plate, lift it up off the key slots and tilt it inward and out through the opening.
6. Route the incoming gas line as desired and connect to the 1/2" NPT female fitting of the shut-off valve; use gas approved pipe sealant. Note, the access plate may be left off to allow for side entry of the incoming gas line.



7. If use of a regulator is required the square knockout on the back of the fireplace may be removed for routing purposes and extra room.



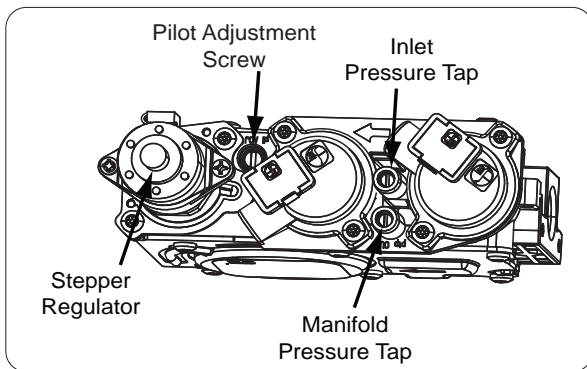
8. Open shut-off valve and check for leaks - NEVER USE AN OPEN FLAME!

Gas Supply Verification

NOTE: Do not spray leak-testing liquid in pressure taps or results will not be accurate.

Ensure the appliance is seeing correct gas pressures and inputs. Verify the following information matches that of the rating label. Pressure taps are located on the valve (see image). A 5/16 (8mm) I.D. hose is required to make the connections. Check gas pressures as follows:

1. Open inlet pressure tap (half turn) and use a manometer to verify inlet pressure with unit running on HI. Pressure cannot exceed 1/2 PSIG (14" W.C.) or valve damage may occur. Adjust inlet pressure as needed and shut pressure tap.
2. Open manifold pressure tap (half turn) and connect manometer. Verify gas pressures are within range while unit is running on HI and LO. Release manometer and shut pressure tap. **Contact your dealer if proper pressures cannot be achieved.**



Note - The fireplace must be isolated from the gas supply piping system by closing its equipment shut-off valve during any pressure testing of that system at test pressures in excess of 1/2 psi (3.5 kPa).

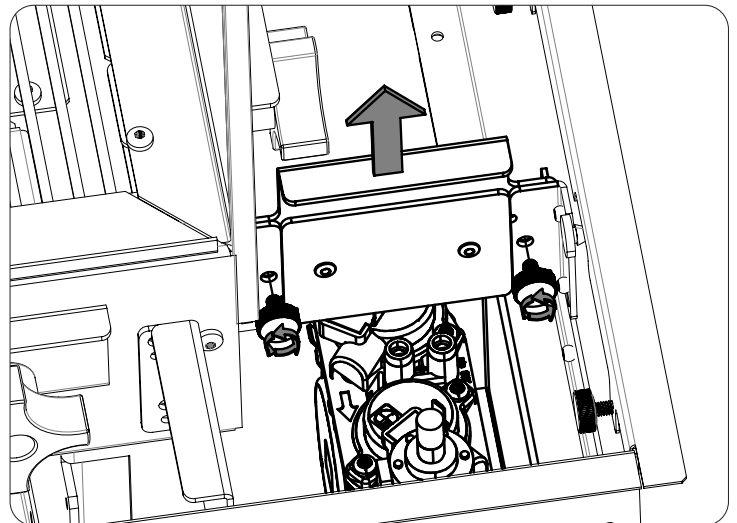
U30	Natural Gas
Main Orifice	#44
Manifold Pressure	3.5" W.C. (0.89 KPa)
Min. Manifold Pressure	1.6" W.C. (0.39 KPa)
Max Supply Pressure	7.0" W.C. (1.74 KPa)
Min. Supply Pressure	4.5" W.C. (1.12 KPa)
Max BTU/hr Input	22,500 BTU/hr (6.59 kWh)
Min. BTU/hr Input	14,000 BTU/hr (4.10 KW)

U30	Propane
Main Orifice	#54
Manifold Pressure	10.0" W.C. (2.49 KPa)
Min. Manifold Pressure	6.4" W.C. (1.59 KPa)
Max Supply Pressure	11.0" W.C. (2.74 KPa)
Min. Supply Pressure	10.4" W.C. (2.59 KPa)
Max BTU/hr Input	22,500 BTU/hr (6.59 KW)
Min. BTU/hr Input	18,000 BTU/hr (5.28 KW)

Valve Access

The valve may need to be accessed for service or maintenance. Access valve as follows:

1. Remove outer glass (see page 21).
2. Remove right louver (see page 22).
3. Remove the thumb screws (x2) to release the support bracket and gain valve access.
4. Replace support bracket securely when finished.



Maintenance and Service

Run through the procedures in this section to ensure the fireplace system is clean and working properly at least once a year.

Inspect the following:

- Check the burner to see if all the ports are clear and clean.
- Check the pilot to make sure it is not blocked by anything. (The pilot flame should be blue with little or no yellow tips.)
- Visually check pressure relief gasket for damage or deterioration (replace if necessary).
- Check fan for debris such as hair, dirt or pet hair (anything that could impede fan performance).
- Clean inner and outer glass (see page 20 for removal instructions). Use a soft, lint free cloth with a mild glass cleaner to ensure no residue is left behind.

Caution: Label all wires prior to disconnection when servicing controls. Wiring errors can cause improper and dangerous operation. Verify operation after servicing.

WARNING

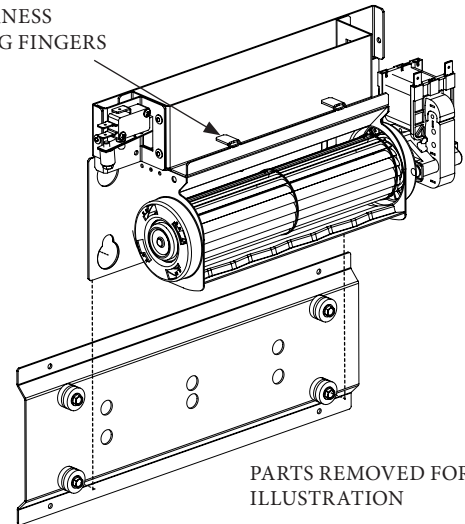
Failure to reposition parts in accordance with this manual, or failure to use only parts specifically approved with this appliance may result in property damage or personal injury.

Fan Removal and Maintenance

Remove fan assembly/assemblies as follows:

1. Turn power off at breaker.
2. Remove outer glass (see page 21).
3. Remove louvers (see page 22).
4. Disconnect BLACK and WHITE power leads, pull wires out from under the bent metal fingers on the fan housing
5. Fan assembly is mounted on a keyslot bracket; lift up and out.
6. Clean any debris from fan blades or axle. Ensure proper keyslot engagement upon reinstallation.

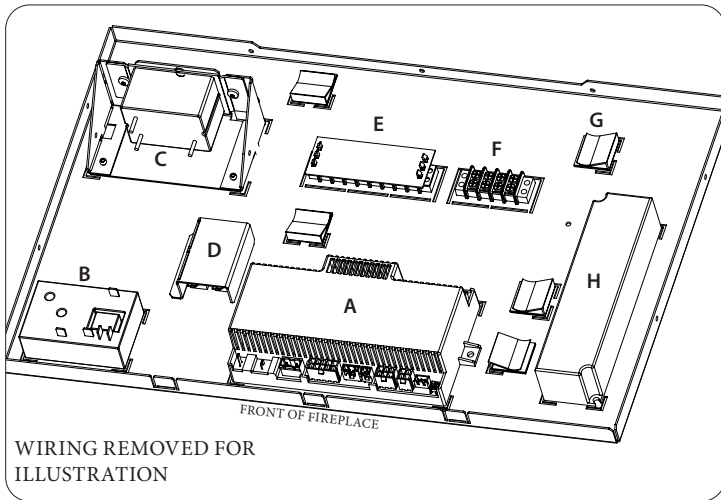
WIRE HARNESS
RETAINING FINGERS



Bench Test (120VAC): If fan operates very slow, not at all, or has abnormally high resistance replace with P/N 50-3901.

Component Tray Map

The component tray is fixed underneath the firebox. All components are affixed to the tray using velcro for servicing ease. Remove cooling fan assembly to gain access.



WARNING
ELECTRIC SHOCK RISK!

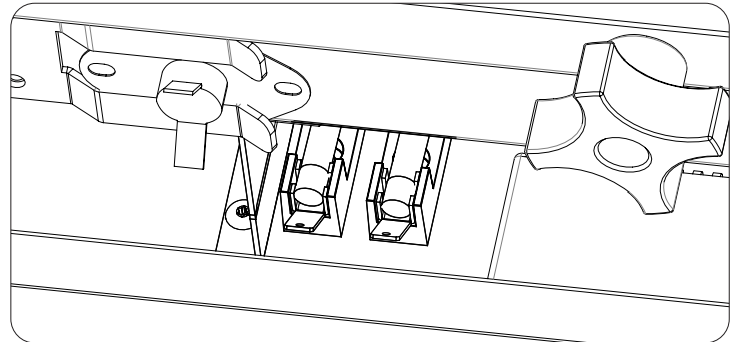
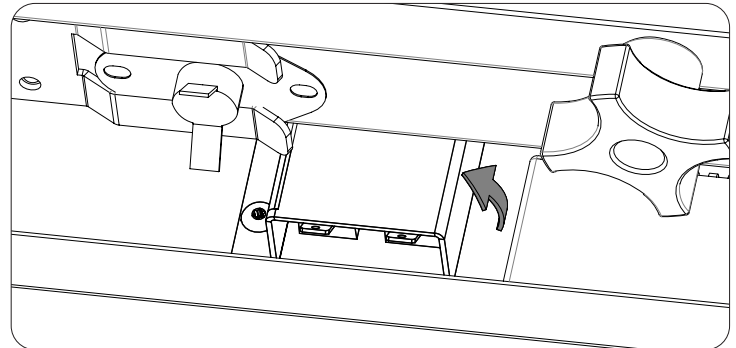
DISCONNECT POWER FROM BREAKER BEFORE ACCESSING COMPONENT TRAY

- A** - Proflame 2 IFC Control Board #50-3887
- B** - Timing Relay #50-3899
- C** - Fan Rheostat #50-3900
- D** - Fuse Cover
 - Left 4A Fuse - Fan Circuit #50-2076
 - Right 4A Fuse - Top Light #50-2076
- E** - Power Terminal Bar (Covered) TILT UP FOR ACCESS
- F** - Ground Terminal Bar TILT UP FOR ACCESS
- G** - Wiring Clip
- H** - LED Driver (If equipped) - #50-3890

Fuse Replacement - Fan and Top Light

Determine what caused fuse to blow before replacement. Replace fuse as follows:

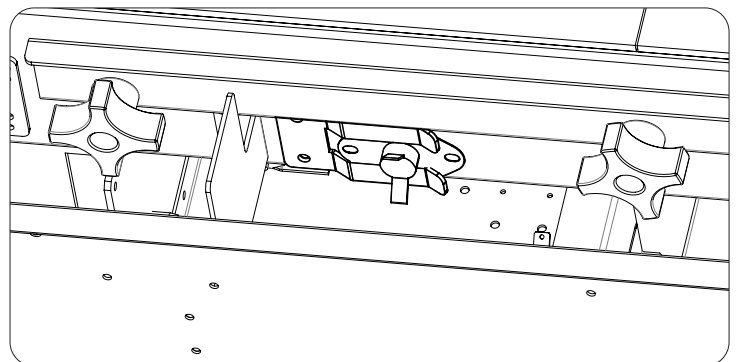
1. Disconnect power at circuit breaker.
2. Remove outer glass (see page 21).
3. Remove louvers (see page 22).
4. Remove fan assembly (see page 15).



5. Lift cover up for fuse access

- Left - Cooling Fan Circuit
- Right - Top Light Circuit

Snap Disc

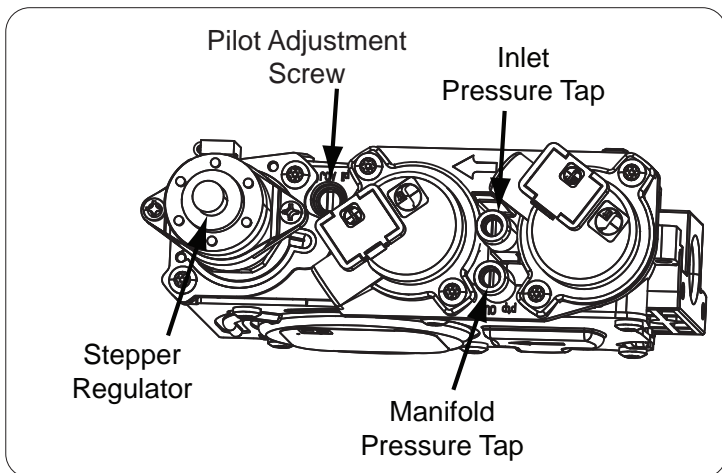
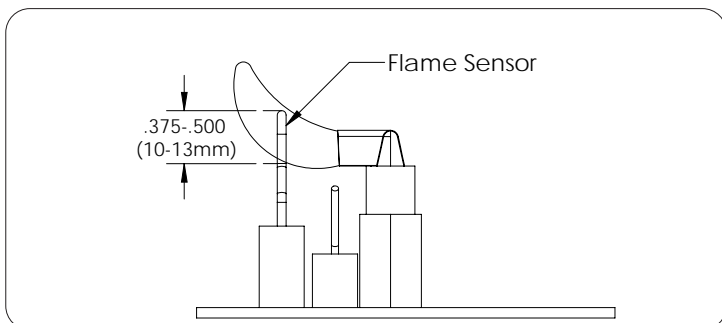


The snap disc is part of the safety circuit system; see page 19 for more details. The sensor is located on the lower firebox face. Disconnect unit power at the circuit breaker before handling.

Pilot Light

The pilot flame should cover 1/4" to 1/2" (7 to 13mm) of the flame sensor (see photo). The pilot flow adjustment is set to maximum from the factory and should not need adjustment. However, should the need arise, adjust pilot flame as follows:

1. Remove outer right glass (see page 21).
2. Remove right louver (see page 22).
3. Locate the pilot adjustment screw on the valve (see photo).
4. Turn the adjustment screw to alter the pilot gas flow as needed.



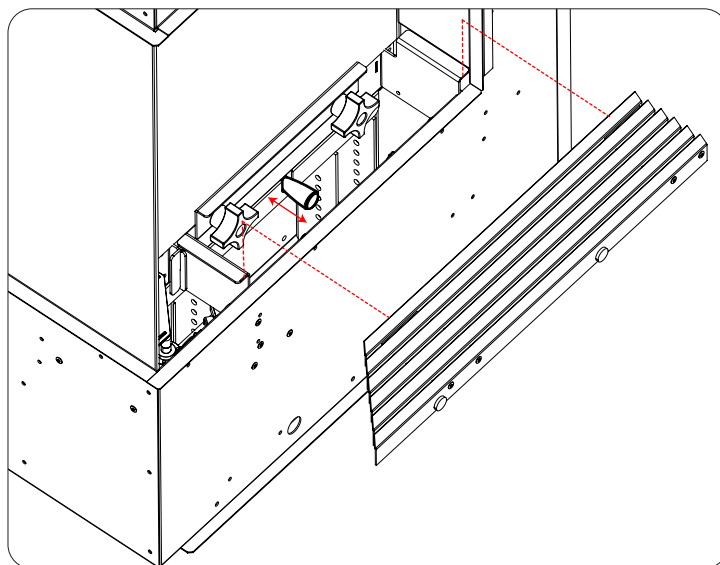
Air Shutter (Venturi)

The air shutter plays a very important role in flame appearance and combustion quality. The shutter adjusts how much air gets mixed with the gas before it ignites. We recommend starting the fireplace and allowing it to heat up for 15 minutes before making final adjustments. Adjust the shutter as follows:

1. Remove outer right glass(see page 21).
2. Remove right louver (see page 22).
3. Locate air shutter linkage knob (see photo) and adjust as needed.

Lean (more primary air): Pull knob outward to make flame appear more blue and low.

Rich (less primary air): Push knob inward to make flame appear more yellow and tall. Flame will continue to richen up during operation creating a potential for gradual soot build-up.



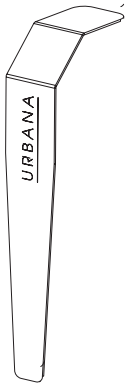
Notes:

- If you cannot attain a healthy flame by making air shutter adjustments, you may have the incorrect restrictor setting or a venting problem.
- Propane units have very little to no adjustment.
- More details can be found in the venting section of this manual.
- Caution: Wear heat resistant gloves when making adjustments to the air shutter. Perform final adjustments after 15 minutes.

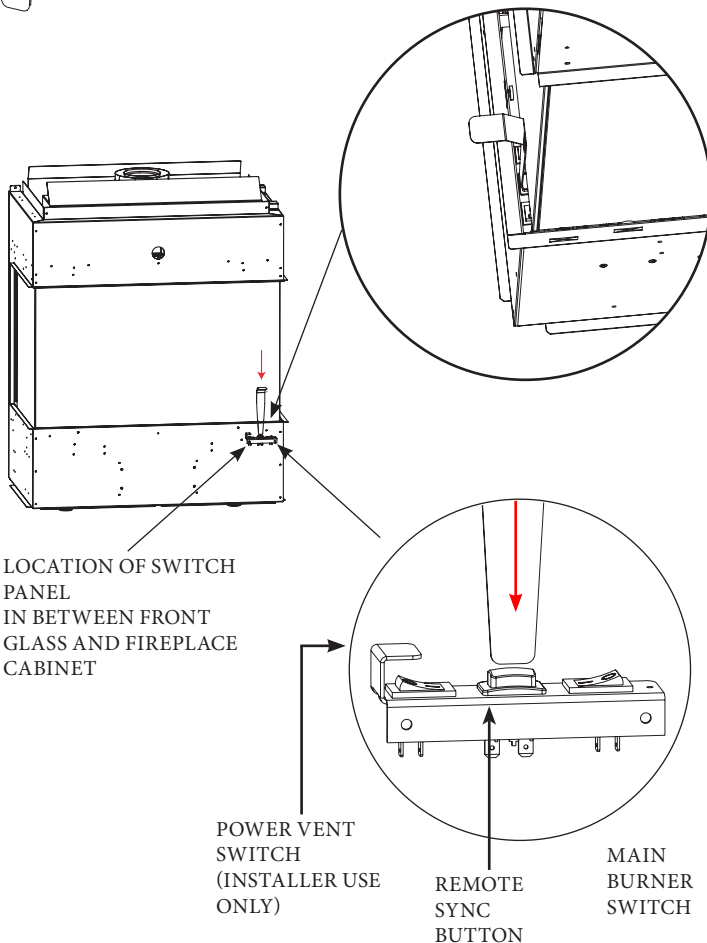
Remote Syncing

The remote should be synced to your fireplace by your installer during installation.

Your remote may gradually lose its RF connection strength over time. Resync the remote if this happens or if the batteries have been changed. Resync remote as follows:



1. Locate the switch tool supplied with your fireplace (see photo).
2. Locate the hidden switch panel mounted on inner fireplace cabinet.
3. Slip the tool in between the front glass and cabinet and press the middle switch. You will hear 3 beeps from the IFC.



4. On hearing the 3 beeps, press the ON/OFF key on your remote; you will hear 3 more beeps to acknowledge successful remote syncing.

5. Press the ON/OFF key again to turn off the remote. The remote is now ready to use.

Power Vent (PV) Switch

For convenience, the fireplace comes pre-wired for power vent applications. If needed, to switch into power vent (PV) mode locate the PV switch next to the Remote Sync Button. The far left rocker switch with the cover above it controls the mode setting of the fireplace's IFC. From the factory the - symbol is down, press the rocker switch so that the O symbol is down. To clarify:

- symbol down = Direct Vent (DV) mode
- O symbol down = Power Vent (PV) mode

If for some reason the IFC needs to be switched back to DV mode simply press the switch again **with main power disconnected**.

IMPORTANT - Main power **must not** be connected to the fireplace prior to switching between DV and PV modes. If power is connected the IFC will remain in the previous mode until power is removed. Turning the fireplace on and off via the remote will not correct this.

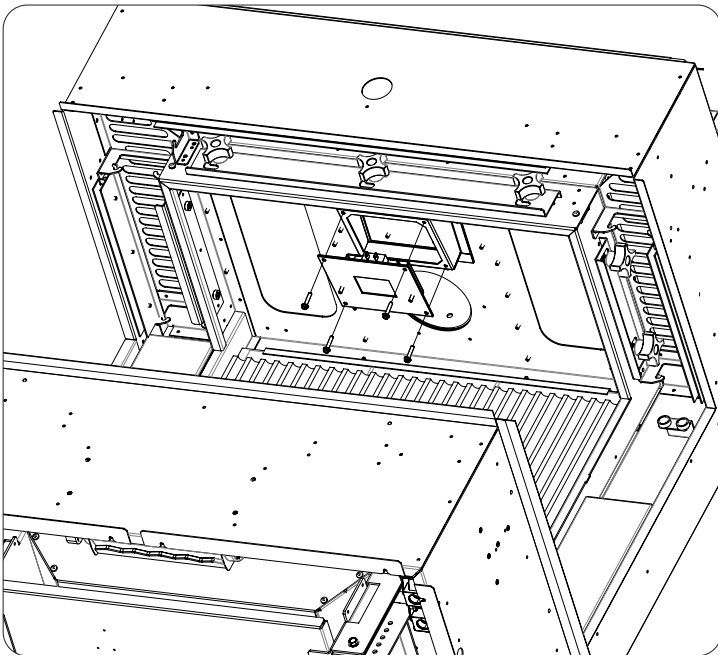
Quick Tip - A typical symptom of the fireplace being inadvertently switched to PV mode is a responsive remote with full control of the Light and AUX circuits but no pilot ignition sequence.

Top Light Replacement

Occasionally the top light bulb(s) will need to be replaced.

Replace the top light as follows:

1. Disconnect electrical power to the unit.
2. Remove outer glass (see page 21).
3. Remove inner glass (see page 23).
4. Use a 5/16 socket to remove the 4 fasteners securing top light assembly; let assembly drop slowly.
5. Grab connectors firmly at the base and disconnect from bulb assembly; remove assembly from unit.
6. Use a T20 screwdriver to remove light



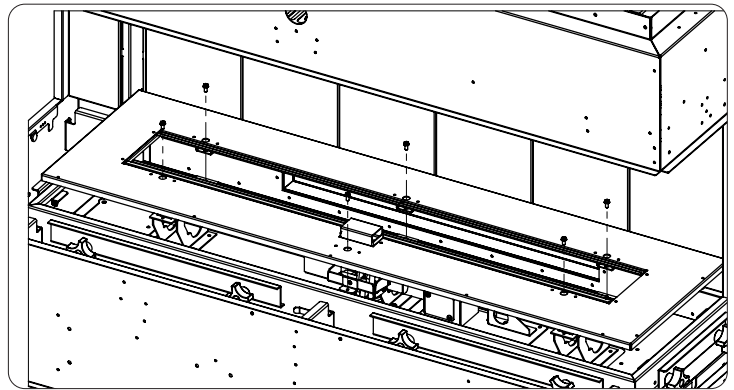
cover. Replace light gasket if damaged.

7. Replace light assembly (50-3516) or replace bulb with 120V, Halogen G9, 25W and assemble back into unit.
8. Reconnect electrical power.

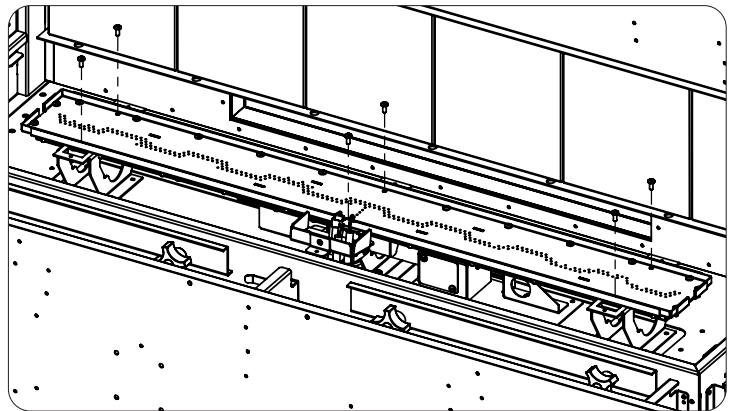
Burner Removal

The burner may need to be replaced if defected or damaged. Replace burner as follows:

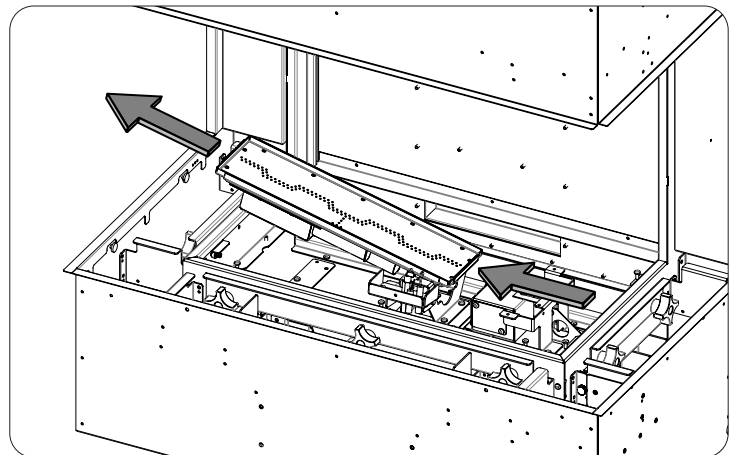
1. Remove outer glass (see page 21).
2. Remove louvers (see page 22).
3. Remove inner front glass (see page 23).
4. Remove all media from burner platform.



5. Use a 1/4 socket (magnetized) to remove the fasteners securing burner platform.



6. Use a T20 screwdriver to remove the fasteners securing the burner.



7. DO NOT remove remaining burner screws.

Safety Circuit System

Your fireplace has a safety circuit system designed to protect you and your home from damage due to unmanaged heat. This section outlines the safety components, how they work, and how to test them in the event of malfunction.

The safety system is activated after 15-20 minutes.

The safety system is integrated with the IFC ON/OFF circuit. The burner will not operate unless the circuit is satisfied (also a closed burner switch).

Start-up mode: Safety system is not activated yet; circuit is in bypass mode through the timing relay (normally closed).

Operating mode: Snap disc (normally open) will close when it reaches operating temperature (120F); this will send 120VAC to the cooling fan system (see below) and timing relay.

Cooling fan system rheostat resists the input to 90-91VAC; this is a set input and should be confirmed during installation via the open center terminals in the fan harness. **DO NOT attempt to adjust the rheostat lower than 90VAC.**

The timing relay switches safety system out of bypass mode and the circuit is now dependant on the sensing switch circuit. There is a 5 second delay to allow cooling fan to reach operating speed.

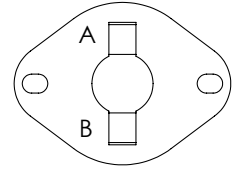
The sensing switch monitors the fan circuit, once activated, to confirm the fan is operational. In the event the fan circuit becomes disabled or the fan is disconnected the sensing switch automatically turns off the fireplace.

Power will continue to run through the cooling fan system with the fireplace turned off. Only when the snap disc falls below its set temperature will the fan turn off.

Safety Circuit Components

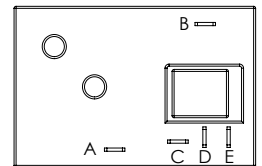
Snap Disc: Activates safety system when fireplace is sufficiently hot.

Testing:
AB (cool): NO continuity
AB (hot 120F+): YES continuity



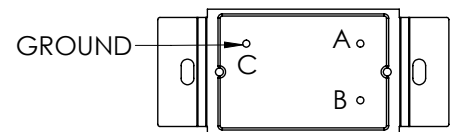
Timing Relay: Switches system from bypass mode to operating mode when powered via snap disc. There is a 5 second delay to give the fan time to build speed.

Testing:
CE (no power at AB): YES continuity
CE (120VAC at AB): NO continuity
Terminal D is irrelevant



Cooling Fan Rheostat: Resists input power to cooling fan for optimal speed and noise reduction.

Testing:
AB: 70-75VAC on lowest setting



Cooling Fan: Draws air from the lower framing gap to create an airwash through the inner and outer glass barrier; the heat is released at upper framing gap.

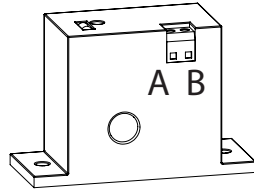


Testing:
AB: 14-15 ohms is good
AB: 105-110V when running is optimal

Sensing Switch: The sensing switch monitors the cooling fan circuit to confirm the fan is operational.

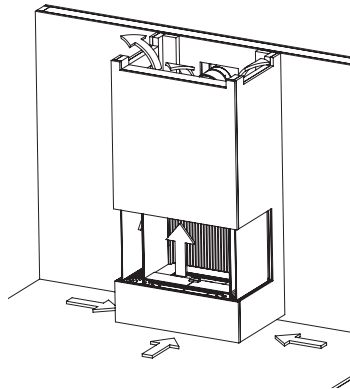
Testing:

AB: NO continuity (no air flow)
 AB: YES continuity (with air flow)
 (red light will be on)



Breathable Framing:

Provides the air wash needed for the cooling fan to do their job. Framing must be constructed in accordance with this manual; failure to do so will result in property damage or personal injury.



Outer Glass Removal

Initial paint curing of the appliance can leave a slight film on the glass. The glass will need cleaning after the fireplace has cooled off from the first burn and about two weeks after first burn. Use a mild glass cleaner and a soft cloth. Depending on the amount of use, the glass should require cleaning no more than two or three times a season.

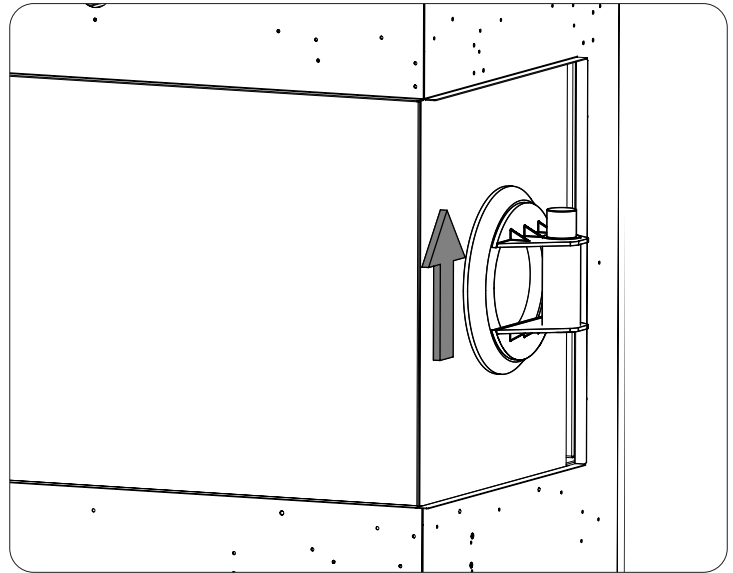
CAUTION: Abrasive cleaners will damage the glass and painted surfaces. **Do not clean the glass when it is hot.**

The 5mm thick outer glass is tempered. Handle glass with care; breaking will result in a dangerous mess. Use a shop vacuum to clean if a break occurs. All glass should be handled with quality suction cups such as 50-3837. Two suction cups must be used for larger glass segments. Remove outer glass as follows:

1. Familiarize yourself with the glass hooking method in the following steps before proceeding.

NOTE:

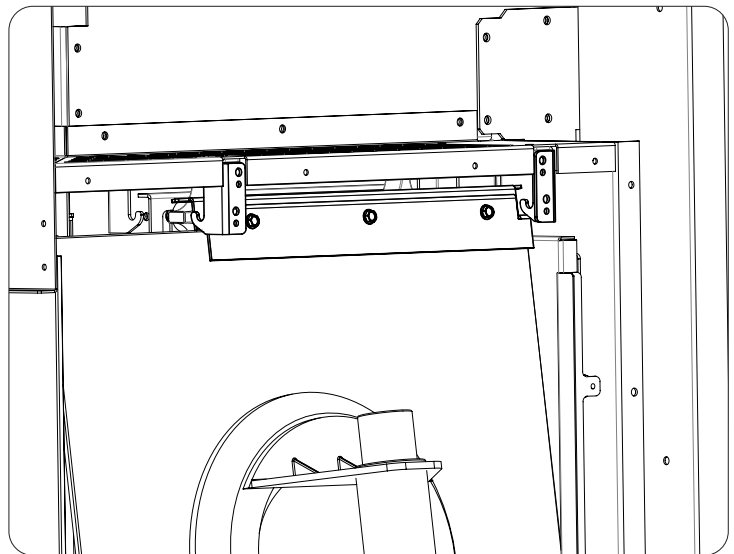
Left and right side glass must be removed before front glass.



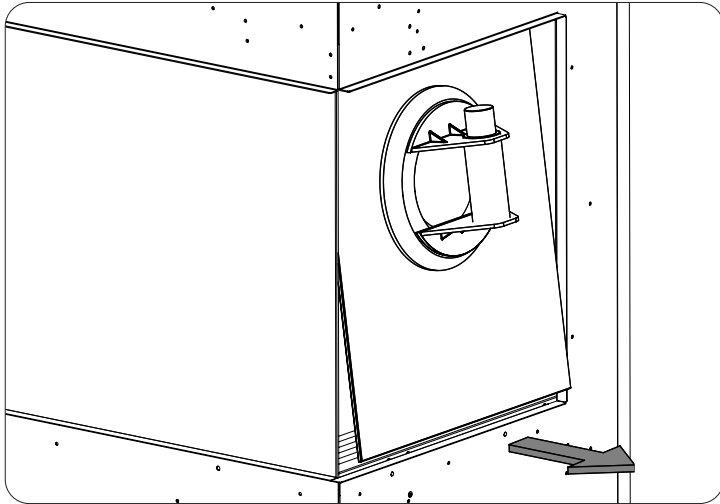
2. Attach suction cup to center of either side glass. Pump plunger to build suction; a disappearing red line will indicate if adaqet seal is made.

3. Lift glass up, tip top inward and pull bottom outward until hook disengaged. Lower glass and continue to remove leading with bottom. Be sure to clear lower cabinet.

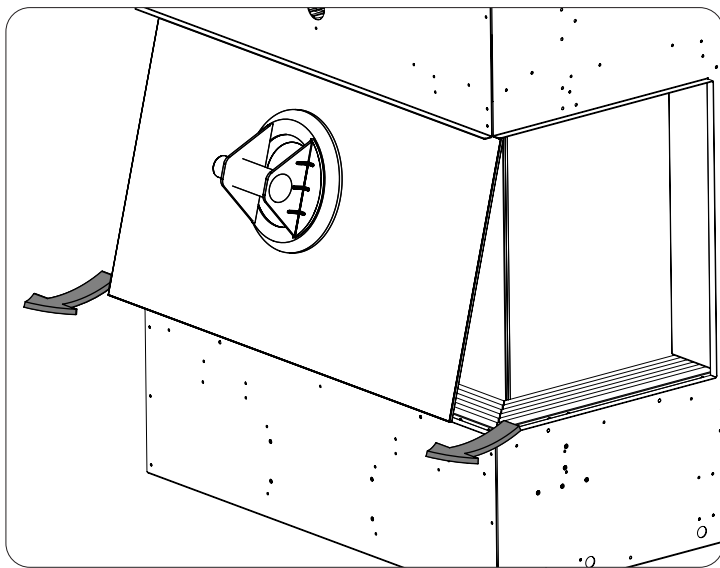
DO NOT force the glass if binding. Uneven glass pressure can cause breakage. Use a helper for larger glass segments to distribute weight.



PARTS REMOVED FOR ILLUSTRATION PURPOSE

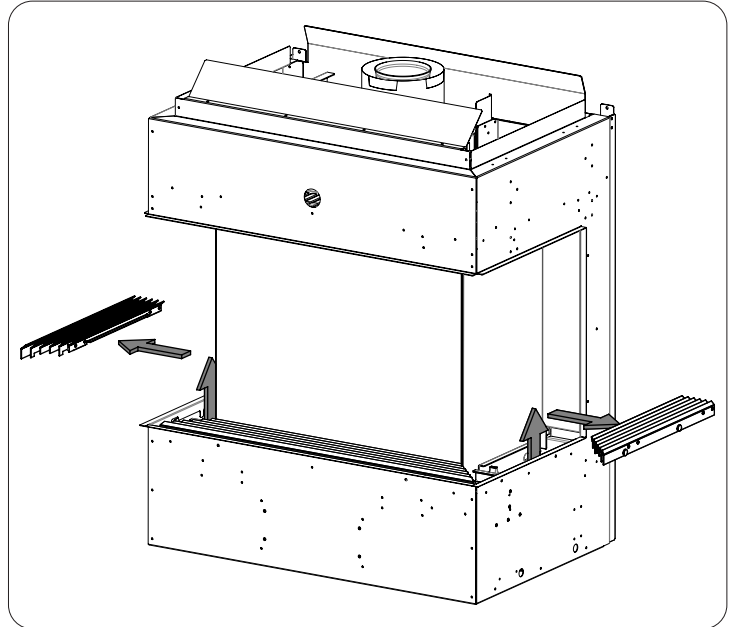


4. Remove front glass using same method after both side glass sections have been removed.

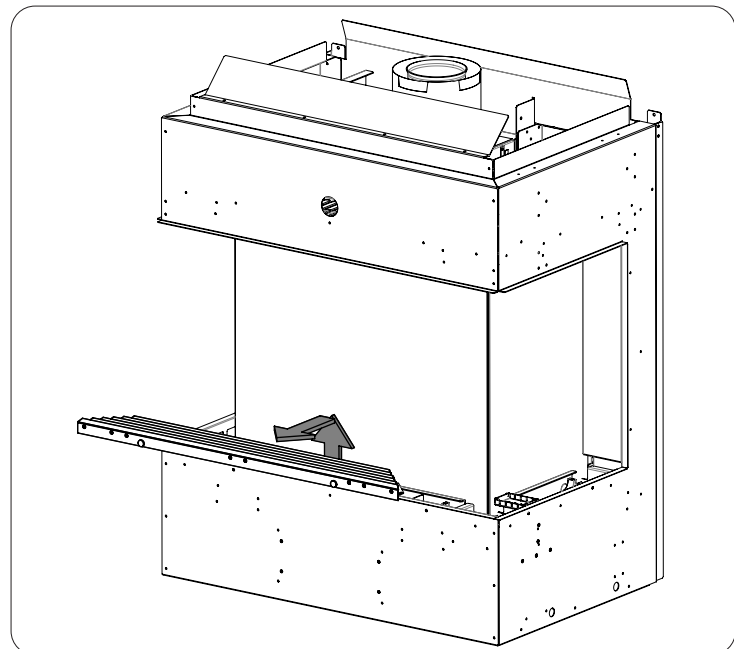


Louver Removal

Louver assemblies will need to be removed to access components and firebox. There are two side louver assemblies and one front; the sides need to be removed first. Remove louvers as follows:



1. Remove outer glass as needed (see page 21).



2. The louvers are not secured into place, simply lift up and out. Remove side louvers first (as needed).

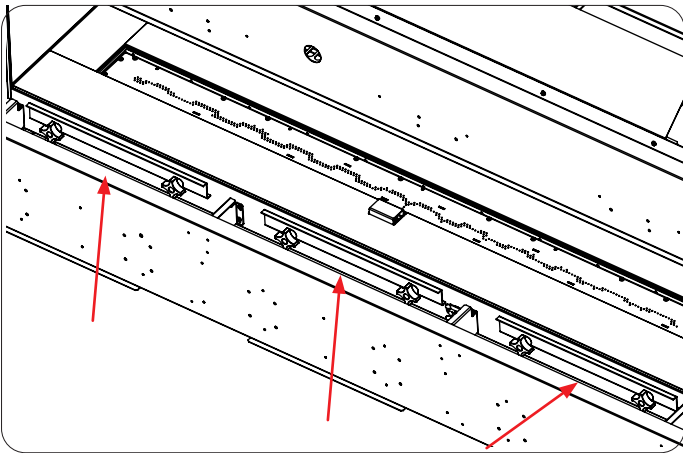
Reverse to this procedure by lining up tabs and slots when reinstalling.

Inner Glass Removal

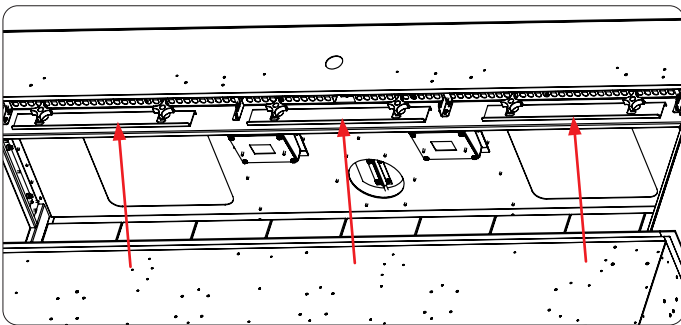
The 5mm thick inner glass is ceramic. Handle glass with care; breaking will result in a dangerous mess. Use a shop vacuum to clean if a break occurs. All glass should be handled with quality suction cups such as 50-3837. Two suction cups must be used for larger glass segments.

ONLY the front inner glass needs to be removed for firebox access. Remove side glass only if necessary. Side glass uses adjustable back stops to maintain seal on front glass. If side glass is removed be sure back stops are adjusted correctly. Remove the front inner glass as follows:

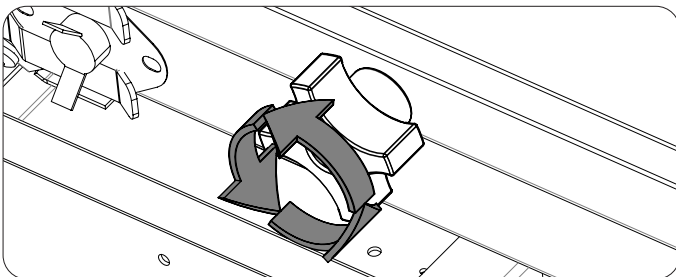
1. Remove outer glass (see page 21).



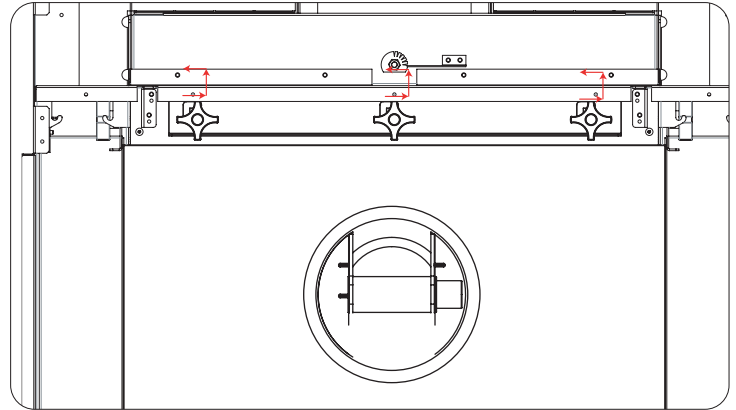
2. Remove louvers (see page 22).



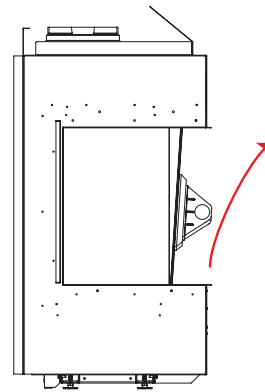
3. Loosen the 3 sets of knobs at the bottom of the glass.



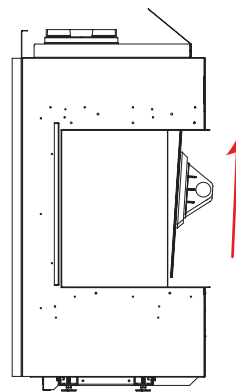
4. Loosen the 3 sets of knobs at the top of the glass. Each retainer has a slotted "dog-leg" profile, shift each retainer right-up-left to clear the glass.



MAKE SURE all three retainer brackets are in final position during assembly for even sealing pressure.

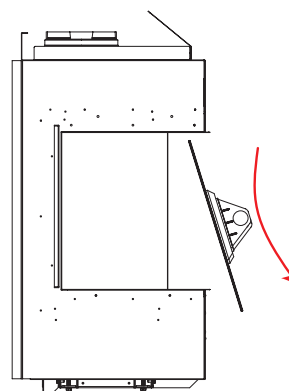


5. Attach suction cup to the glass ensuring



strong engagement.

6. Allow glass to fall forward some.



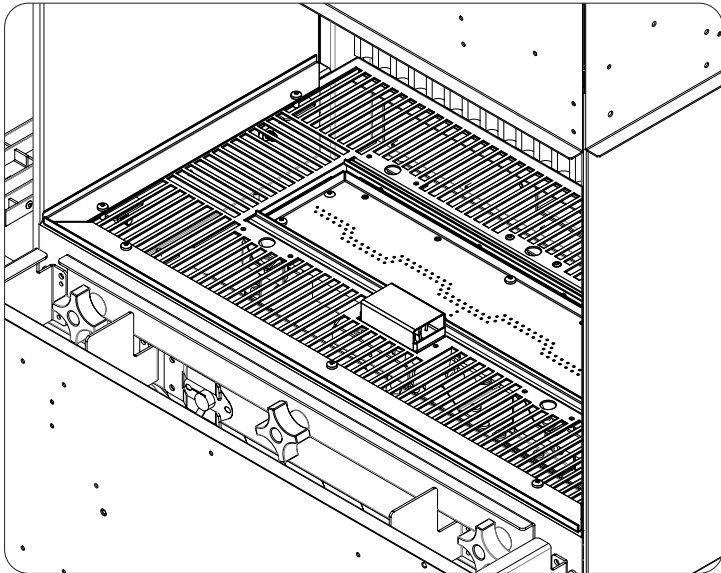
7. Lift glass up until bottom is higher than fireplace edge.

8. Swing glass bottom outward, removing it from the unit.

Media Placement (LED Unit)

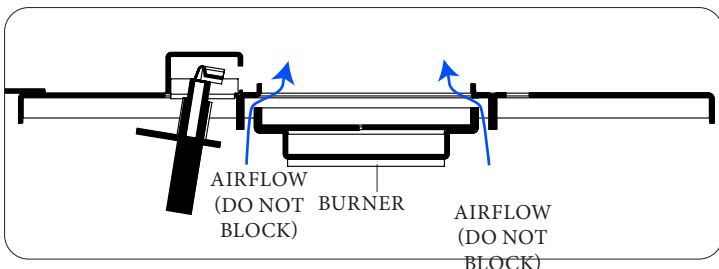
The unit comes with a measured amount of clear diamond glass to cover the burner and the burner platform. Install media as follows:

1. Remove outer glass (see page 21).
2. Remove louvers (see page 22).
3. Remove front inner glass (see page 23).
4. Evenly spread out clear diamond glass onto burner and burner platform.
5. Pat down media to create 1 even layer. **DO NOT block air flow to burner.**



CAUTION:

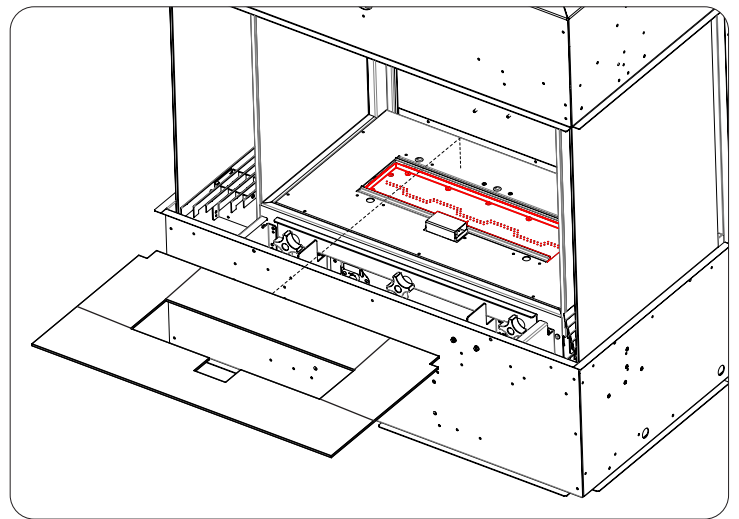
**DO NOT BLOCK AIR SLOTS AROUND BURNER PERIMETER;
POOR FLAME WILL RESULT.**



Media Placement (Standard Unit)

The unit comes with a painted steel bezel set and a measured amount of vermiculite to cover the burner. Install media as follows:

1. Remove outer glass (see page 21).
2. Remove louvers (see page 22).
3. Remove front inner glass (see page 23).
4. Evenly spread out vermiculite onto burner.
5. Insert the steel bezel onto the burner platform; make sure it's sitting flat.

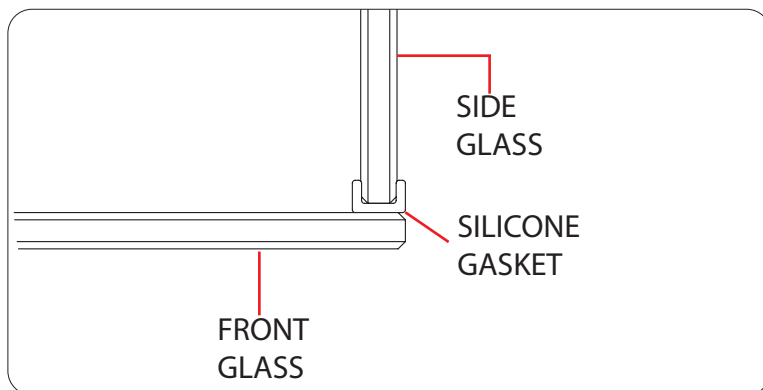


6. Add any additional options such as rocks or logs and reassemble unit.

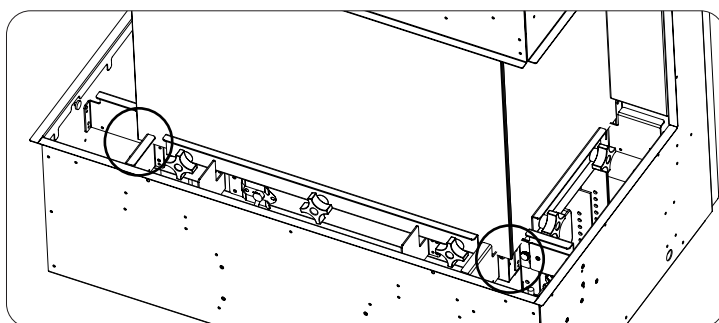
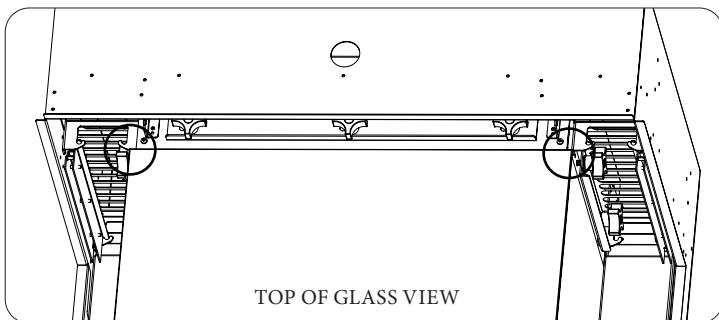
Final Firebox Sealing

Sealing the firebox is essential for safety and proper flame characteristics. **The firebox requires liquid silicone at the top and bottom inner glass corners after initial set up is complete.** Make sure all log and media placement is satisfied before proceeding. Seal the firebox as follows:

1. Confirm fireplace log (if used) and media placement (see page 24).
2. Reinstall front inner glass, ensure glass is sealed at the corner edging. If not, massage silicone strip gasket - inner side glass should not need adjustment. Test fire for 15 minutes for an established flame and make adjustments if necessary.



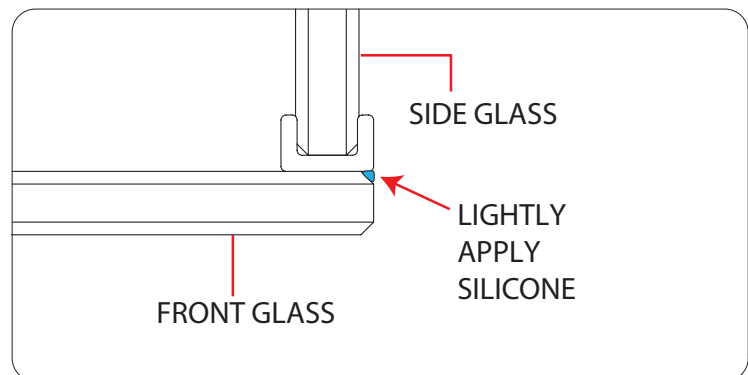
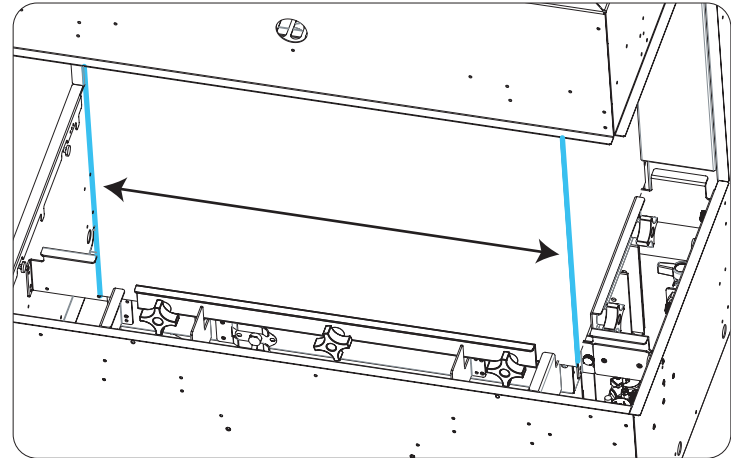
3. When unit has cooled, blob some clear high-temp silicone (not included) around the 4 corners of the front glass. Make sure you fill up any space between the glass and firebox.



(U30T ONLY) Final Firebox Sealing

The Urbana Tall units require 1 additional step too seal the firebox. Follow the instructions on the left first, then;

Apply a light application of silicone along the edge where the front and side glass meet (shown in bold below)



Note

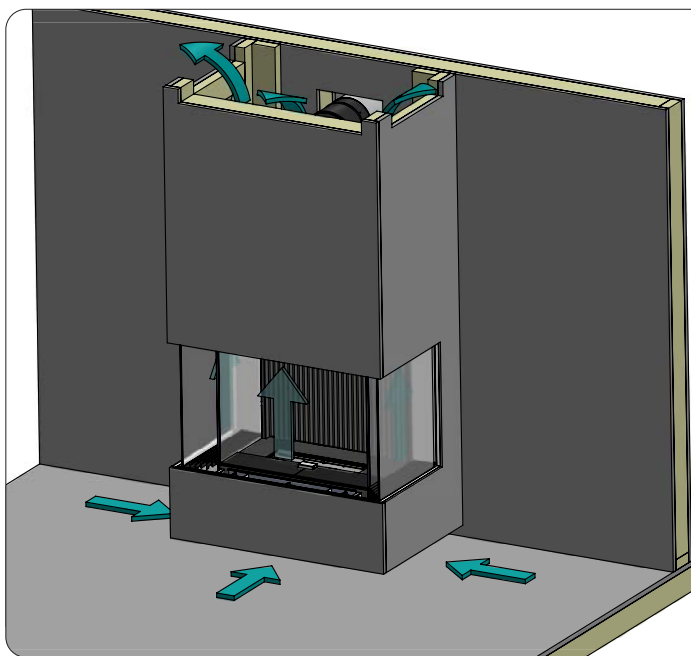
If required, masking tape can be applied to the glass before applying the silicone. The tapes acts as a guide to ensure that the silicone does not accidentally get transferred to either the front or side glass. Remove tape when silicone is dry.

Chase Framing

WARNING

IT IS ESSENTIAL THAT THE CHASE IS VENTED IN A MANNER THAT RELIEVES THE ADDITIONAL HEAT ENTERING THE CHASE. ENSURE ONE OF THE AVAILABLE FRAMING OPTIONS HAVE BEEN CONSTRUCTED IN ACCORDANCE WITH THIS MANUAL. FAILURE TO DO SO CAN CREATE AN OVERHEATING SITUATION THAT COULD LEAD TO BUILDING FIRE.

Ensure your chase has been constructed in a manner that vents the chase into the same room. It is not permitted to vent the chase into an adjoining room. The fireplace cooling system bleeds heat into the chase as opposed to climbing up the front face. This dramatically lowers the front wall temperatures allowing the placement of delicate objects above the fireplace. Review the following guidelines to ensure your install is in accordance with the framing specifications.



Framing Air Gaps

Your fireplace uses an air wash to cool the outer glass and maintain safe temperatures inside the chase. This air wash runs through the two layers of glass and is powered by a cooling fan that requires an inlet and outlet for air to flow. These air gaps must be created in framing and the minimum areas must be adhered to.

The air gap needed for the air inlet and outlet are based on minimum open area requirements:

Air Inlet (Minimum): 90in² (580 cm²)
Gap Height Minimum: 1 ½in (38mm)
Air Outlet (Minimum): 120in² (774 cm²)
Gap Height Minimum: 2in (51mm)

Ex. 1" x 120" is not permitted

There is no maximum air gap surface area.

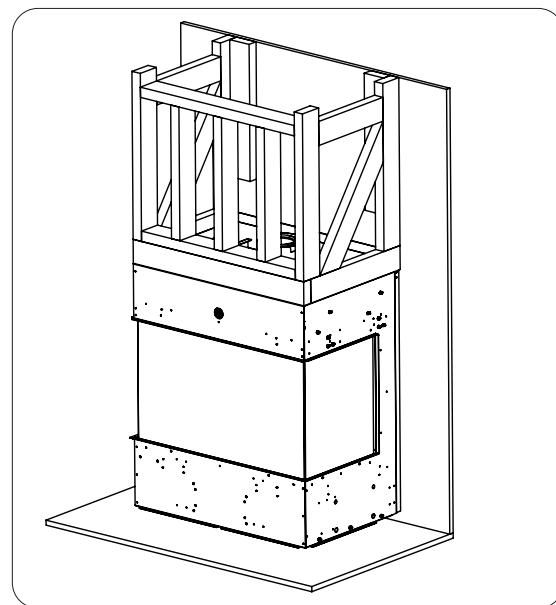
Framing Options

All framing may be wood 2X4 construction or the like, no steel stud or concrete board required. Wood framing around the top of the fireplace cabinet is zero clearance and permitted to contact the cabinet.

The following diagrams are common ways to frame your fireplace. Other forms can also be used as long as minimum clearances and air gaps are maintained.

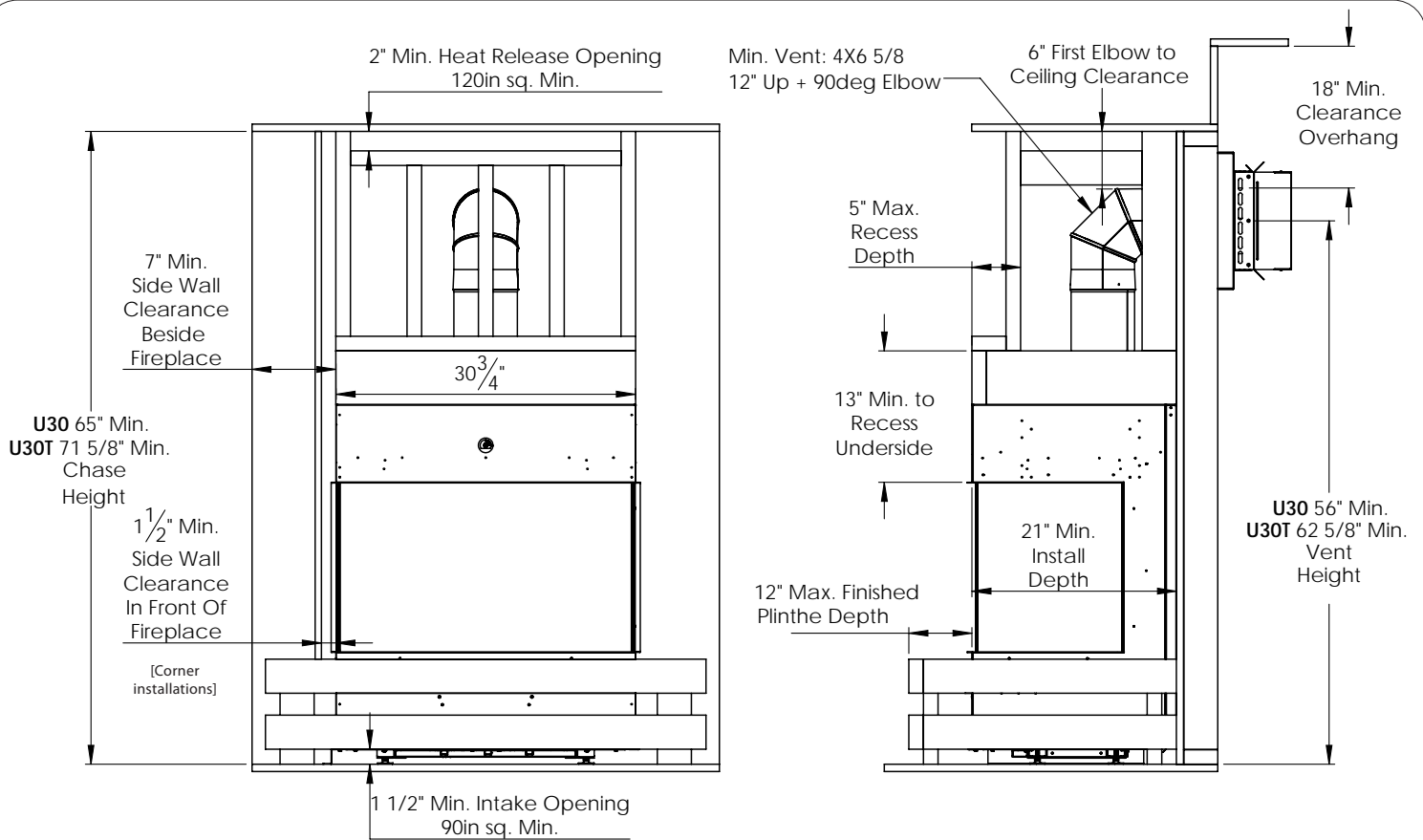
NOTES:

- Chase may be framed beyond minimum framing for taller ceilings, overhangs etc.
- Chase cannot be open to joists or rafters above.
- The fireplace is not load bearing so the chase must be constructed to fully support finishing materials.



IMPORTANT NOTE: Framing above the fireplace CANNOT be constructed prior to fireplace installation, the fireplace and it's required shielding WILL NOT FIT!

Minimum Framing Clearances



*See page 33 for Corner Framing dimensions

Minimum Framing Clearances

All framing may be wood 2X4 construction or the like, no steel stud or concrete board required. Wood framing around the top of the fireplace cabinet is zero clearance and permitted to contact the cabinet.

Using wood framing is a result of meticulous design and testing practices. We ask that the restrictions be followed in order for the fireplace to be enjoyed safely.

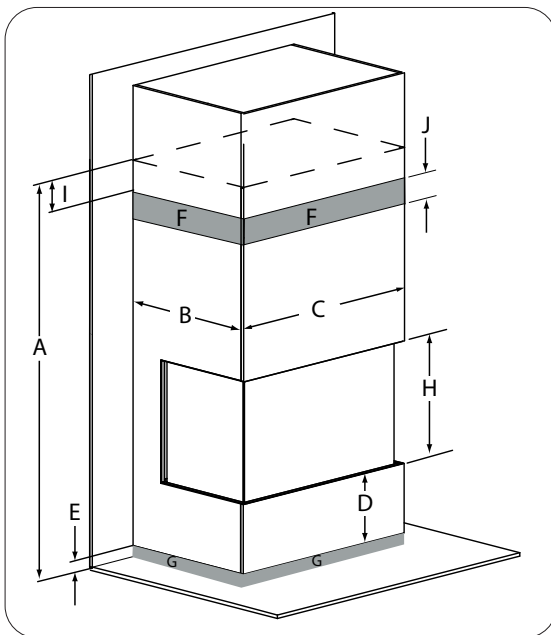
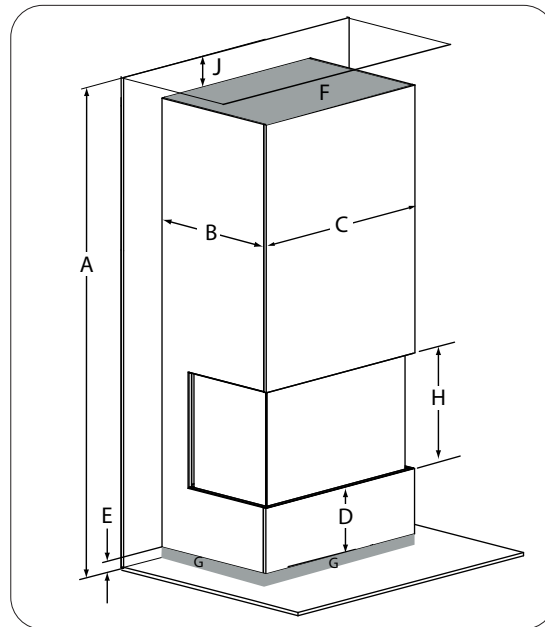
NOTES:

- Chase may be framed beyond minimum framing for taller ceilings, overhangs etc.
- Chase cannot be open to joists or rafters above.
- Chase heat release(s) must be at least 60" (152 cm) away from the nearest fire sprinkler head.
- The fireplace is not load bearing so the chase must be constructed to fully support finishing materials.
- Minimum intake dimensions must be taken at the fireplace cabinet, not the end of the hearth/plinth.
- Less restricted air flow will always breathe more efficiently maintaining cooler surface temperatures.

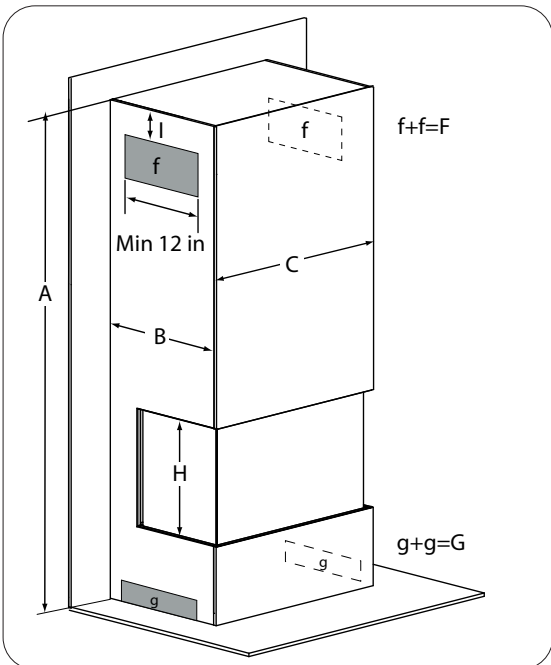
The following diagrams are common ways to frame your fireplace. Other forms can also be used as long as minimum clearances and air gaps are maintained. Use the diagrams and table on the following page as a baseline to design your enclosure. Framing illustrations are for example only and are not necessarily meant to be followed exactly.

LETTER MIN. DIMENSION

A	U30 65" (1651 mm) U30T 71 5/8" (1819)
B	21" (533 mm)
C	30 3/4" (788 mm)
D	9 15/16" (253 mm)
E	Minimum 1 1/2" (38 mm)



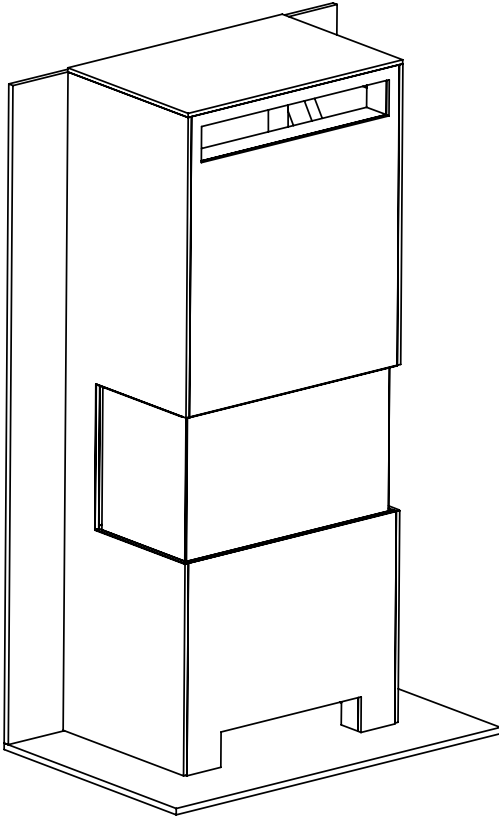
F	Minimum 120 in ² (774 cm ²)
G	Minimum 90 in ² (580 cm ²)
H	U30 17 3/8" (441 mm) U30T 24" (610MM)
I	Max 0 - 1 1/2" (0-38 mm)
J	Minimum 2" (51 mm)



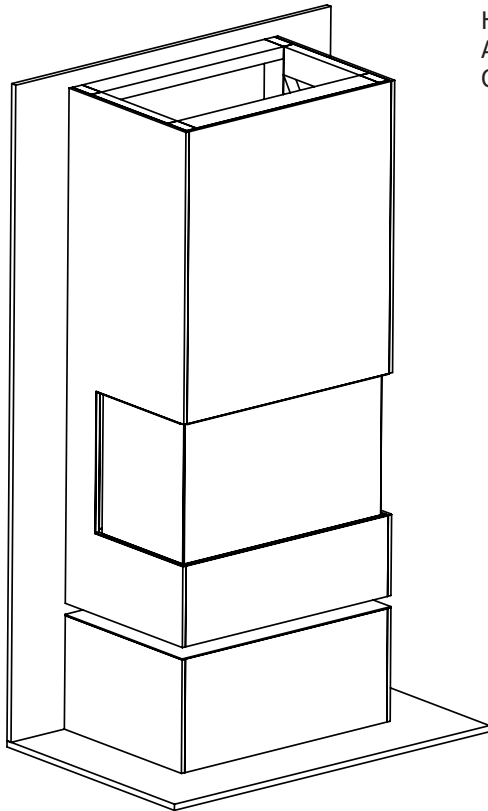
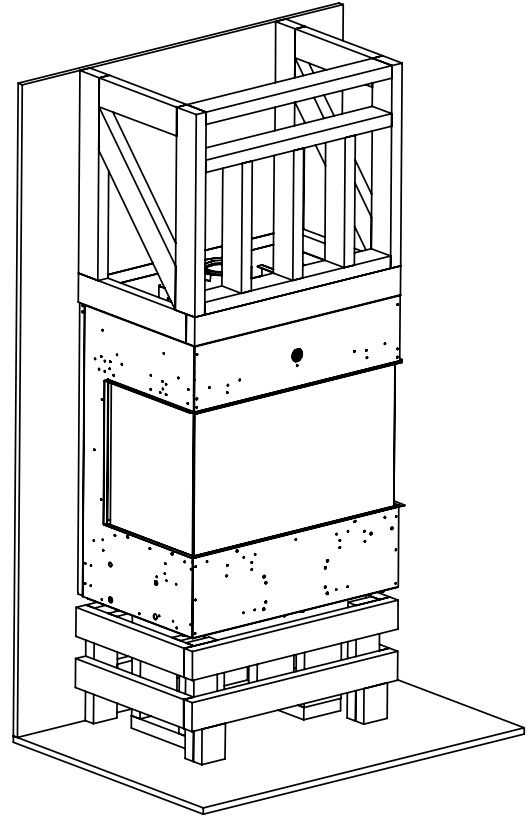
A = Height from unit base to enclosure ceiling
 B = 2X4 framing depth (doesn't include facing material) - Additional framing can be attached for wider enclosures
 C = 2X4 framing width (doesn't include facing material) - Additional framing can be attached for wider enclosures
 D = Distance spanning both finishing edges
 E = Surface area calculations do not apply to dimensions less than min.
 F = Total required surface area for heat release (min. 12" [305mm] wide)
 G = Total required surface area for air intake
 H = Distance spanning both finishing edges
 I = Distance Heat release must be from enclosure ceiling or a false ceiling will be required
 J (Open Top) = Height from open enclosure heat release to ceiling
 J (Closed Top) = Surface area calculations do not apply to dimensions less than min.

Minimum intake dimensions must be taken at the fireplace cabinet, not the end of the hearth/plinth.

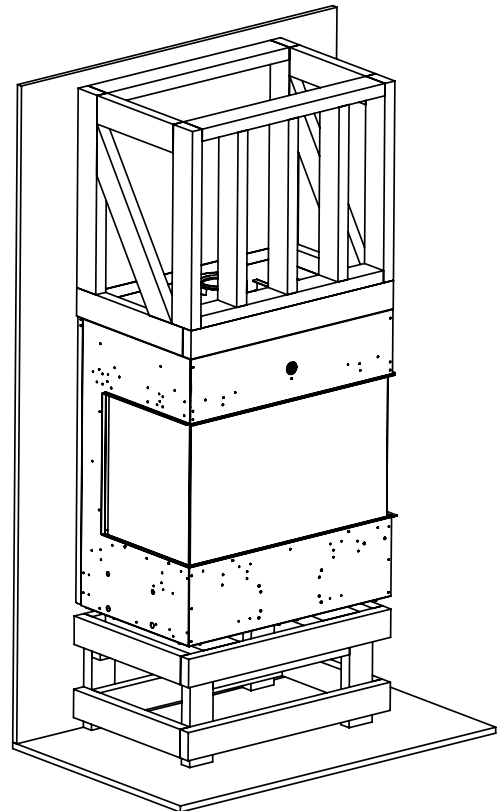
*Framing illustrations are for example only and are not necessarily meant to be followed exactly.



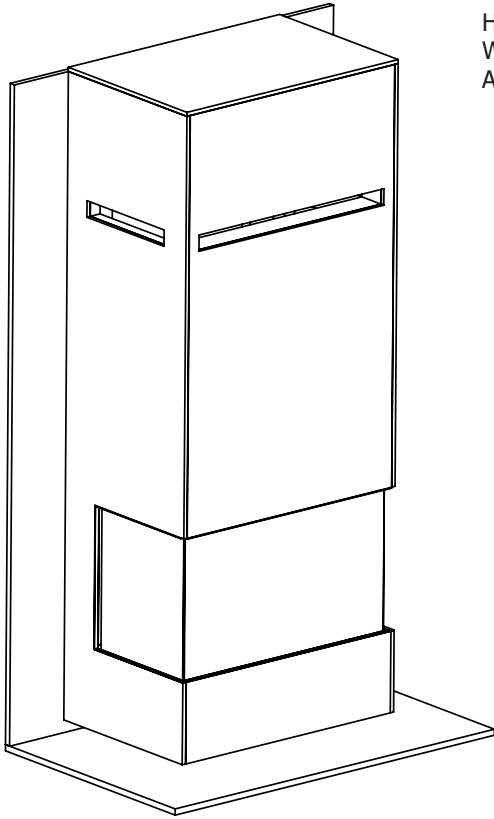
HEAT RELEASE: FRONT
AIR INTAKE: FRONT
WITH PEDESTAL



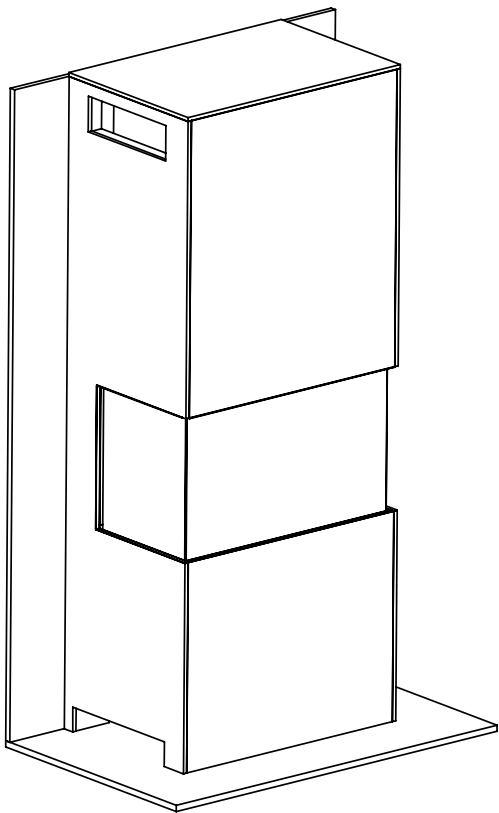
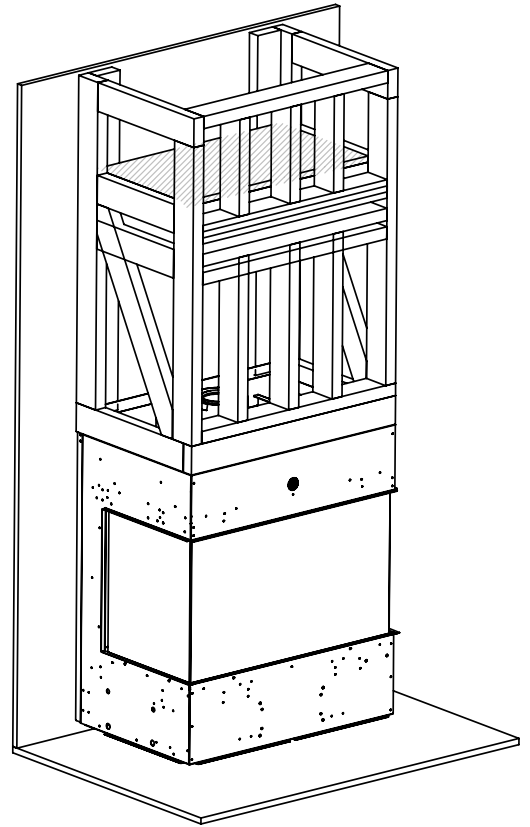
HEAT RELEASE: OPEN
AIR INTAKE: TRADITIONAL
ON PEDESTAL



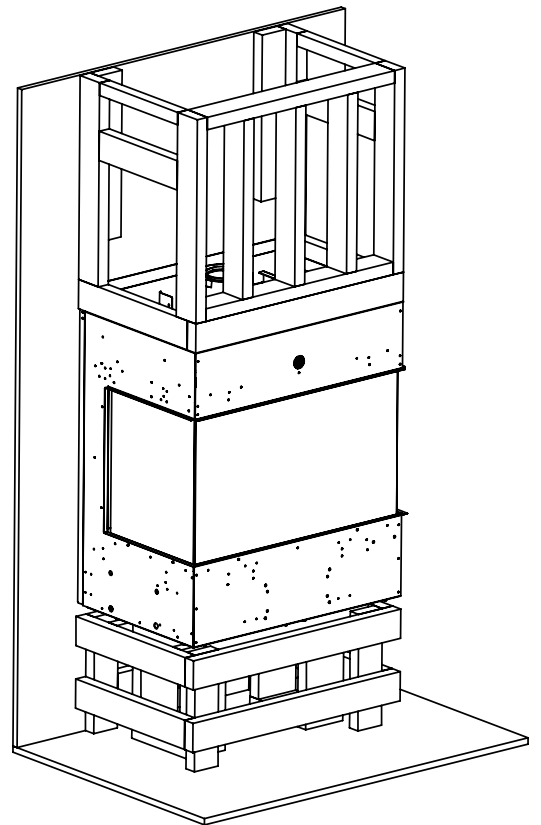
*Framing illustrations are for example only and are not necessarily meant to be followed exactly.



HEAT RELEASE: TRADITIONAL
WITH FALSE CEILING
AIR INTAKE: TRADITIONAL

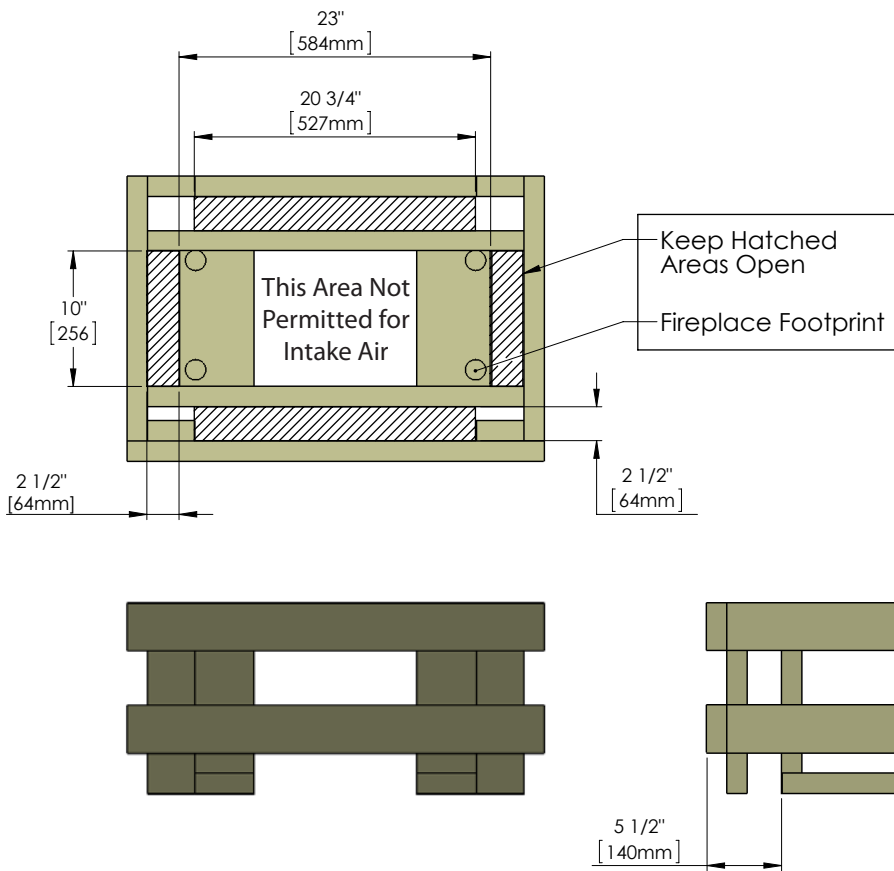


HEAT RELEASE: SIDES ONLY
AIR INTAKE: SIDES ONLY
WITH PEDESTAL



Framing Pedestal

An optional pedestal can be added to any installation to raise the unit further off the floor. Minimum opening and pedestal dimensions must be followed to ensure safe heat dissipation. Combustible material is acceptable when constructing the pedestal.



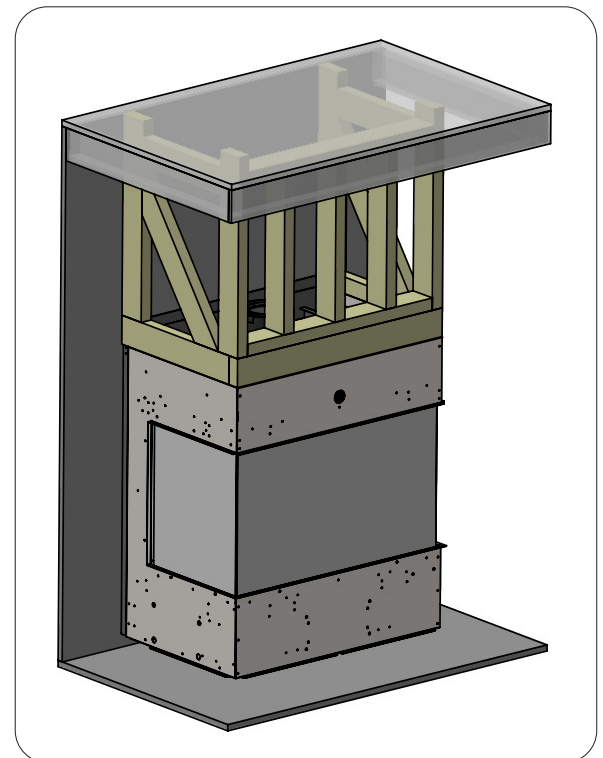
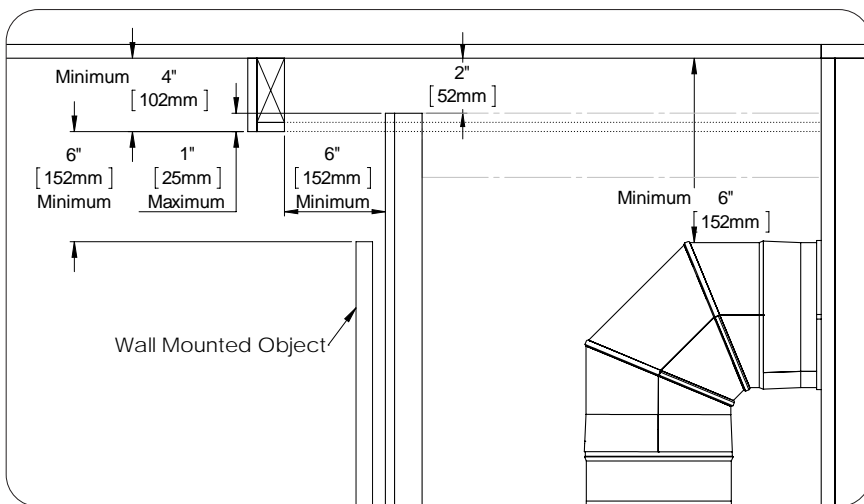
The hatched area(s) must be left unobstructed in order for proper unit cooling. Do not cover these areas for any reason. Unit must sit on center blocks to hold the weight. The center portion can be a solid block, the space within the fireplace footprint can be used for support. Air cannot be drawn from the center area directly underneath. Hatched area(s) must add up to minimum required open area:

90sq in² (580 cm²)

Framing shown is an example and can be constructed differently.

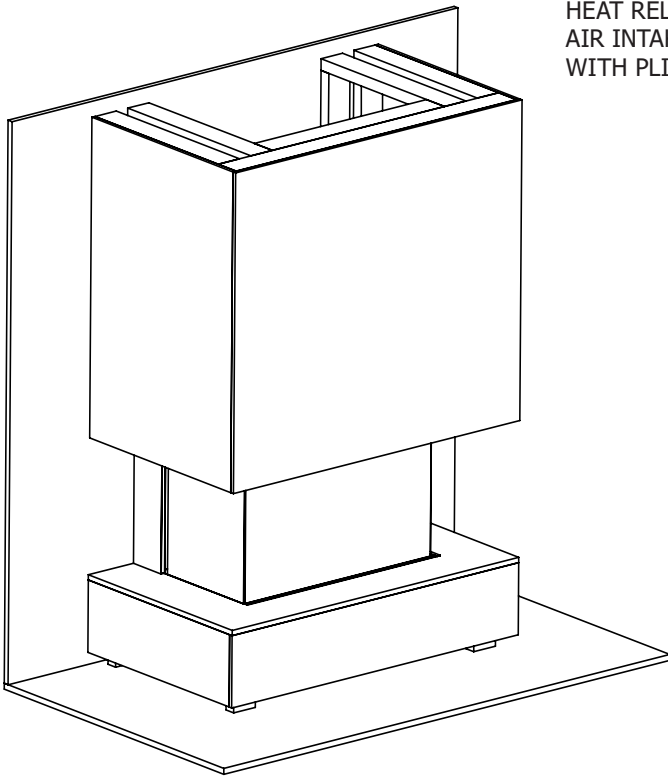
Framing Valance

An optional valance can be added to any installation to help conceal the heat release gap. Minimum opening and valance dimensions must be followed to ensure safe heat dissipation. Combustible material is acceptable when constructing the valance. Follow the minimum dimensions below

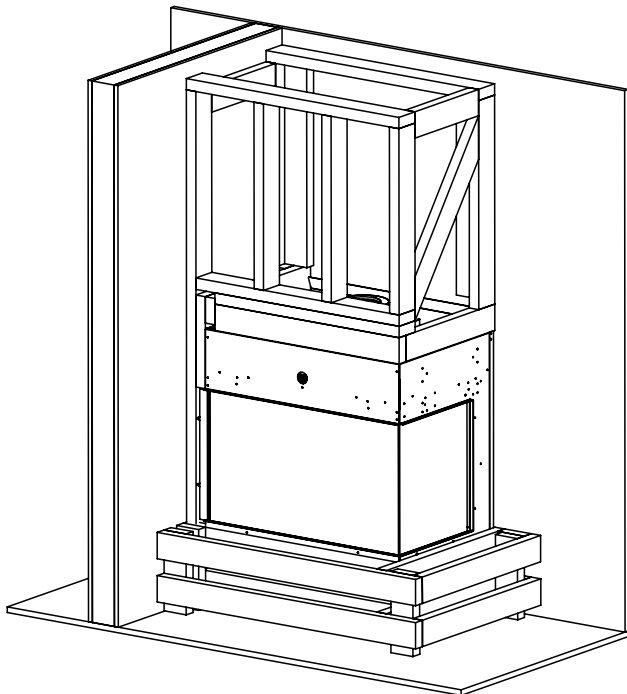
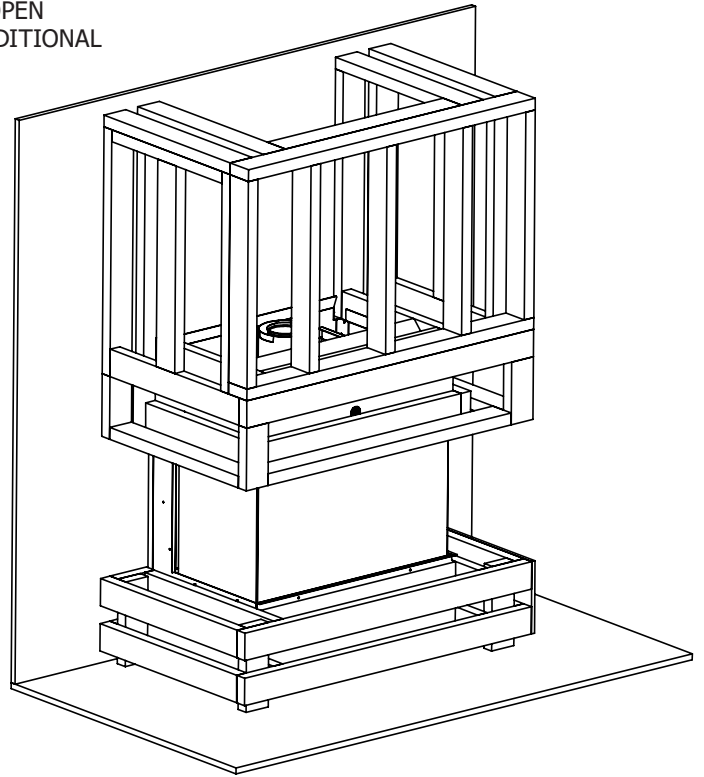


*Framing illustrations are for example only and are not necessarily meant to be followed exactly.

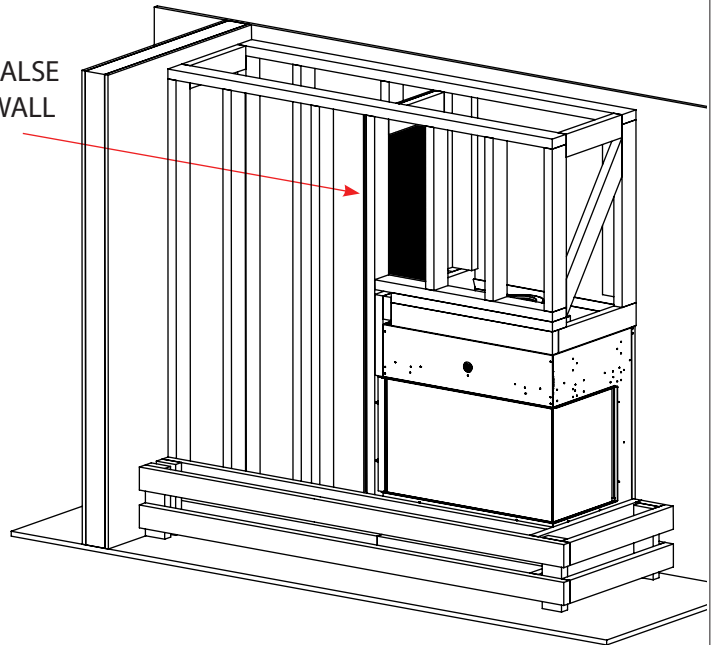
Minimum intake dimensions must be taken at the fireplace cabinet, not the end of the hearth/plinth.



HEAT RELEASE: OPEN
AIR INTAKE: TRADITIONAL
WITH PLINTH



FALSE
WALL

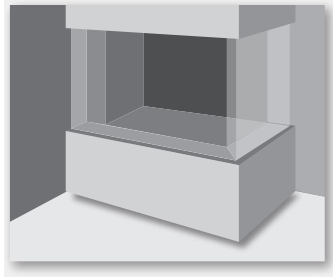


Framing Corner and Extension

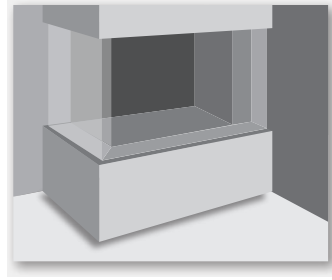
Your fireplace can be framed into a corner using an optional kit. The kit will block off the side corresponding to the designation. Ex. left corner kit will block off the left side of fireplace (shown below). The framed side wall can be adjacent to the unit, or it can extend indefinitely. **If a side wall extension beyond 12" (305mm) is desired, an internal "false wall" (see previous page) must be constructed beside the unit within the enclosure to maintain chase draft geometry.** All minimum air gaps must be adhered to. Air gaps that extend past the unit are NOT counted. This same logic applies to a hearth/plinth extended past the fireplace for a shelf or sitting area.

Corner kits have **mandatory standoffs** that must be installed. See corner kit instruction manual for further information.

Left Corner Install



Right Corner Install



Right and Left Corner Kit Minimum Framing Dimensions

Note: The U30/U30T is not permitted for framed in single sided installations

R/L Corner Min. Framed Width

U30/U30T 32 1/4" [819mm]

U30(T) 3 3/4" [95mm] 120 in² Min. Open Area
Min. Heat Release Height [Front Only]

3" [76mm] Min. Solid Wall Clearance

Min. Ceiling Height

U30: 65" [1651mm]
U30T: 71 5/8" [1819mm]

No framing obstructions in this area. Solid wall must be 3" (76mm) away

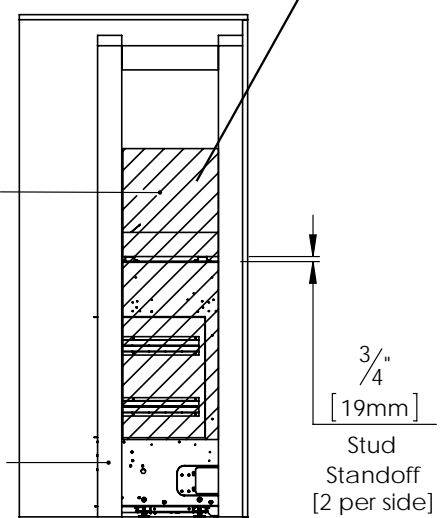
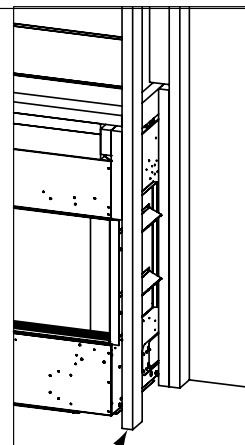
Front and rear studs can be placed up to triangle standoffs (1.5" or 38mm)

3/4" [19mm] Stud Standoff [2 per side]

U30/U30T: 3" [76mm] 90 in² Min. Open Area
Min. Air Intake Height [Front Only]

1 1/2" [38mm] Min. Stud Clearance

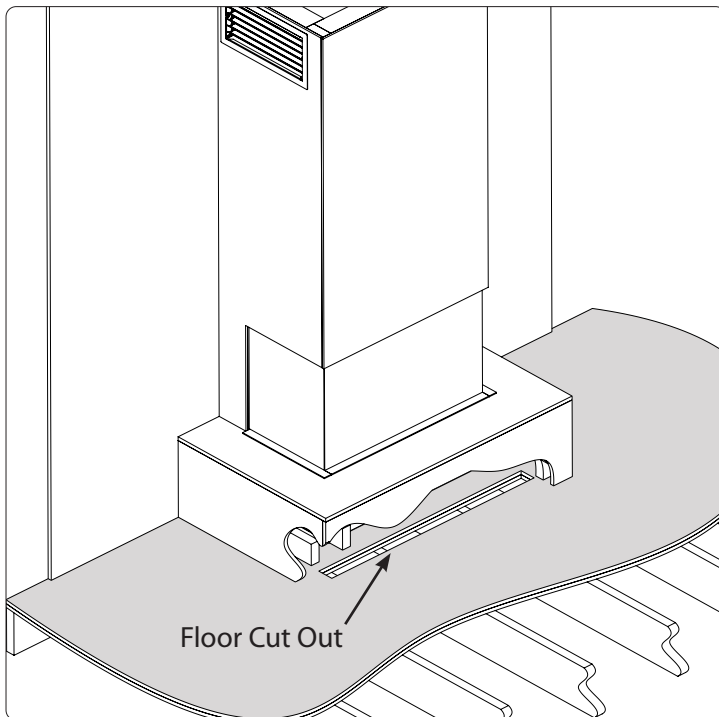
21" [533mm] Min. Framing Depth



Crawl Space / Basement Intake

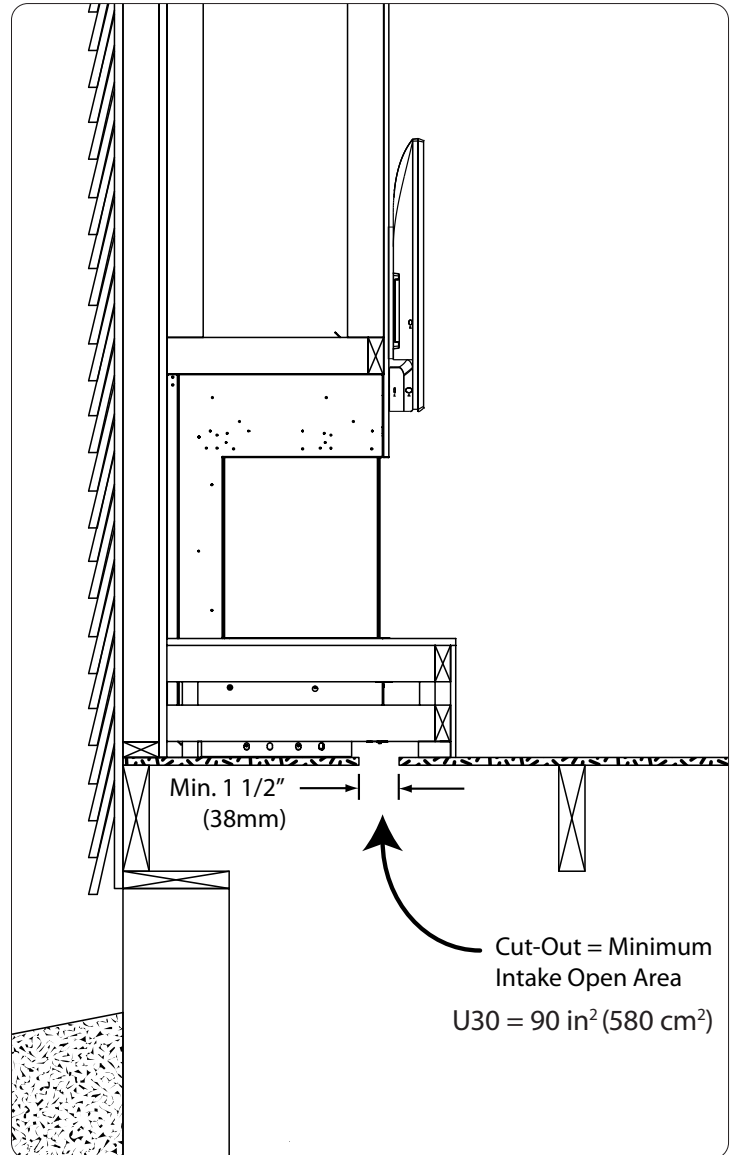
Where approved by local codes and the house's HVAC supplier, the chase intake air may be supplied from a basement or conditioned crawl space below to achieve a hidden intake at the bottom of the chase.

- The basement or crawl space must be sealed from the outside and serviced by the house's HVAC system.
- No other appliances or fans within the house can be vented to the basement or crawl space.
- All direct vent appliances must be vented outside
- Floor cut out size must be at least minimum required open area.
- Floor cut out cannot be less than 1 1/2" (38mm) in width
- Floor cut out must be located directly below front fan. Two equally sized side cut outs are **not permitted**.
- The intake air must be directly supplied from the cut out below.
- Intake air **cannot** be supplied using venting and **cannot** be connected to existing HVAC ducting
- This installation **is not permitted** if a B-Vent or solid



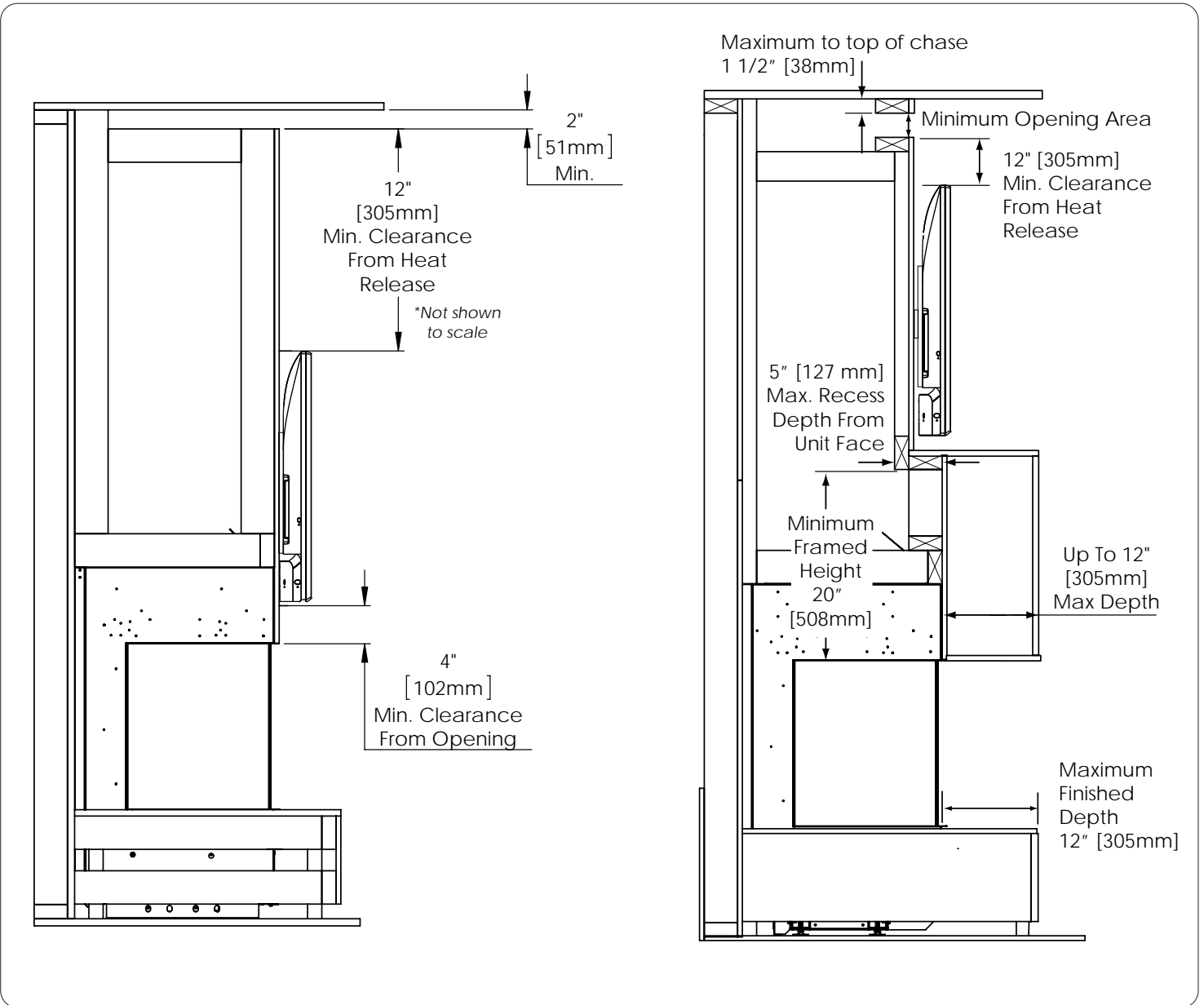
fuel appliance/fireplace is installed in the same area the intake is drawing air from.

- This installation **is not permitted** for non-conditioned crawl spaces or basements vented to the outside.



HDTV and Recess Clearances

If you're planning to mount a TV or artwork above the fireplace than some considerations must be made to ensure delicate objects are protected from heat. During testing temperatures did not exceed 50°F over ambient on the front exterior wall. There is no guarantee that these temperatures will not harm the longevity of your TV. Make sure to consult your TV manufacture's specifications to find the maximum allowable operating temperature. Since every home and installation is unique, temperatures should be verified at the time of install. The minimum permitted TV height may need to be increased to prevent the mounting screws from penetrating the fireplace cabinet.



Note on Media Cable Routing - All wiring and cables should be routed along the inside front and side walls of the chase, well clear of venting or any part of the fireplace. During testing internal side and front wall surface temperatures, at least 20" above the top of the fireplace opening, did not exceed the rated temperature limits of rigid PVC conduit or System 636® CPVC.

Venting Introduction:

Your fireplaces can operate using a natural vent or power vent system (50-3883).

Natural Vent (Rigid): 4" x 6 5/8" venting system

Natural Vent (Flex): 4" X 7" aluminum flex venting system

Power Vent: 4" x 6 5/8" rigid vent or 3" x 5" Duravent CVS

See power vent kit for further information.

Follow the venting instructions for safe and proper operation of the appliance. Deviation from the minimum vertical length can create difficulty in burner start-up and sooting.

Allow several minutes for the flame to stabilize after ignition under extreme vent configurations. It is recommended for vent lengths that pass through unheated spaces (garages, attics, crawl spaces) be insulated to minimize condensation. Use at least 3 screws at each vent connection. Check periodically that the vents are unrestricted, especially the exterior vent cap.

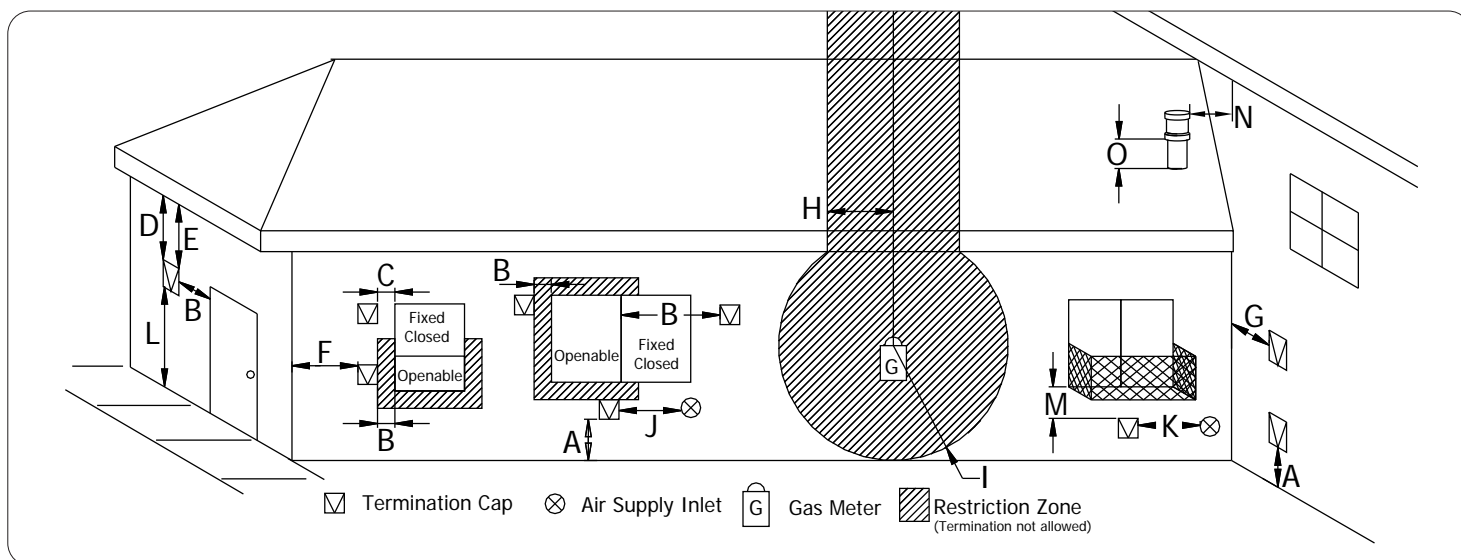
Venting Considerations:

1. A power vent system should be considered for extreme weather areas (wind, cold).
2. 12" minimum vertical rise before an elbow does not apply to power vent units.
3. Flex venting is intended for use with simple vent configurations.
4. Use a snorkle termination for more draft (if needed).

WARNING:

- **Follow venting instructions exactly for safe and proper appliance operation.**
- **Use aluminum tape for all venting connections.**
- **Risk of fire, explosion, or asphyxiation if improper venting setup.**
- **Risk of fire, do not allow loose materials or insulation to contact vent pipe. Remove insulation to allow installation of thimble and maintain clearances to combustible materials.**

Vent Termination Restrictions



	Canadian Installation ¹	US Installation ²	Description
A	12 in (30 cm)		Clearance above grade, verandah, porch, deck, or balcony.
B	12 in (30 cm)	9 in (23 cm)	Clearance from window or door that may be opened.
C	12 in (30 cm)*		Clearance from permanently closed window (to prevent condensation).
D	24 in (60 cm)*		Vertical clearance to ventilated soffit located above the terminal, within a horizontal distance of 2 ft (60 cm) from center line of terminal.
E	18 in (45 cm)*		Clearance to unventilated soffit.
F	12 in (30 cm)*		Clearance to outside corner.
G	12 in (30 cm)*		Clearance to inside corner.
H	3 ft (91 cm) within a height of 15 ft (4.5 m) above the meter/regulator assembly	3 ft (91 cm) within a height of 15 ft (4.5 m) above the meter/regulator assembly*	Clearance to each side of center line extended above meter/regulator assembly.
I	3 ft (91 cm)	3 ft (91 cm)*	Radial clearance around service regulator vent outlet.
J	12 in (30 cm)	9 in (23 cm)	Clearance to non-mechanical air supply inlet to building, or the combustion air inlet to any other appliance.
K	6 ft (1.83 m)	3 ft (91 cm) above if within 10 ft (3 m) horizontally	Clearance to mechanical air supply inlet.
L	7 ft (2.13 m) [‡]	7 ft (2.13 m) ^{*‡}	Clearance above paved sidewalk or paved driveway located on public property.
M	18 in / 45 cm ⁺	18 in / 45 cm ^{*+}	Clearance under verandah, porch, deck, or balcony.
N	12 in (30 cm)*		Clearance horizontally to any surface (such as an exterior wall) for vertical terminations.
O	12 in (30 cm)		Clearance above roof line for vertical terminations.

¹ In accordance with the current CSA B149.1, Natural Gas and Propane Installation Code.

² In accordance with the current ANSI Z223.1 NFPA 54, National Fuel Gas Code.

* These numbers are only estimates.

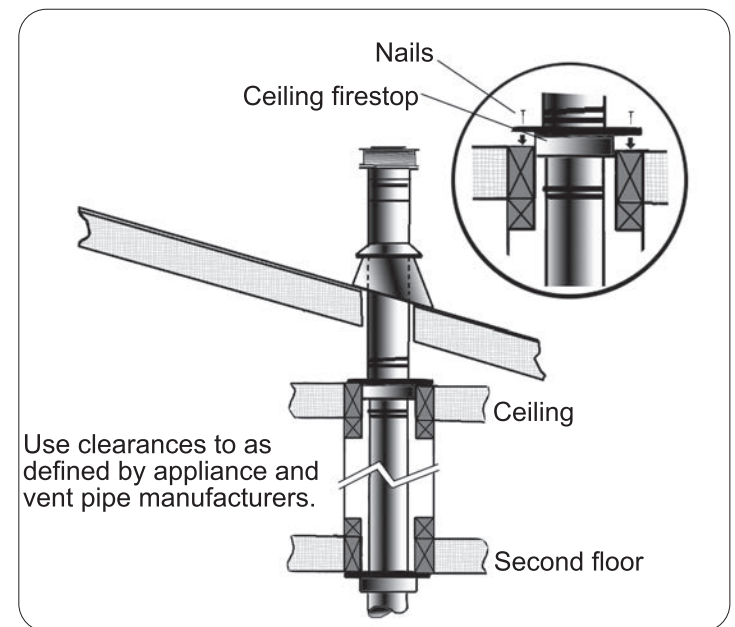
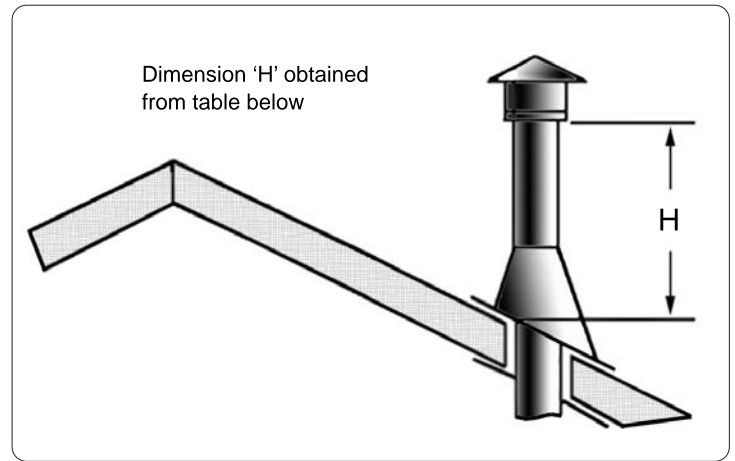
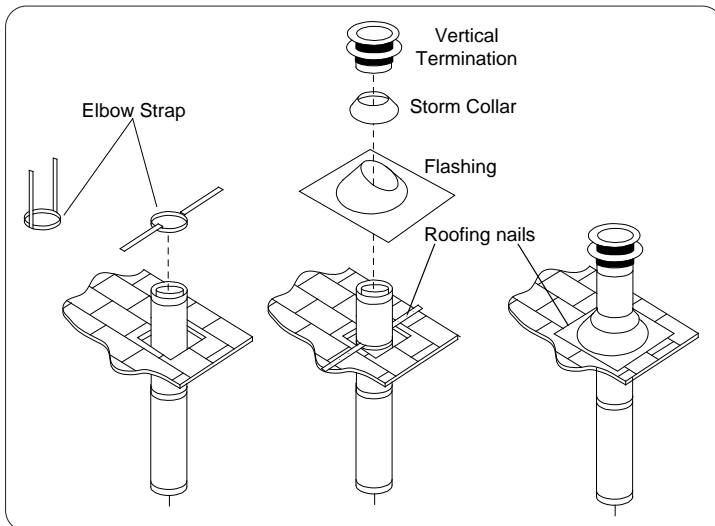
[‡] A vent shall not terminate directly above a side walk or paved driveway that is located between two single family dwellings and it serves both dwellings.

⁺ Permitted only if verandah, porch, deck, or balcony is fully open on a minimum of two sides beneath the floor.

Vertical Termination

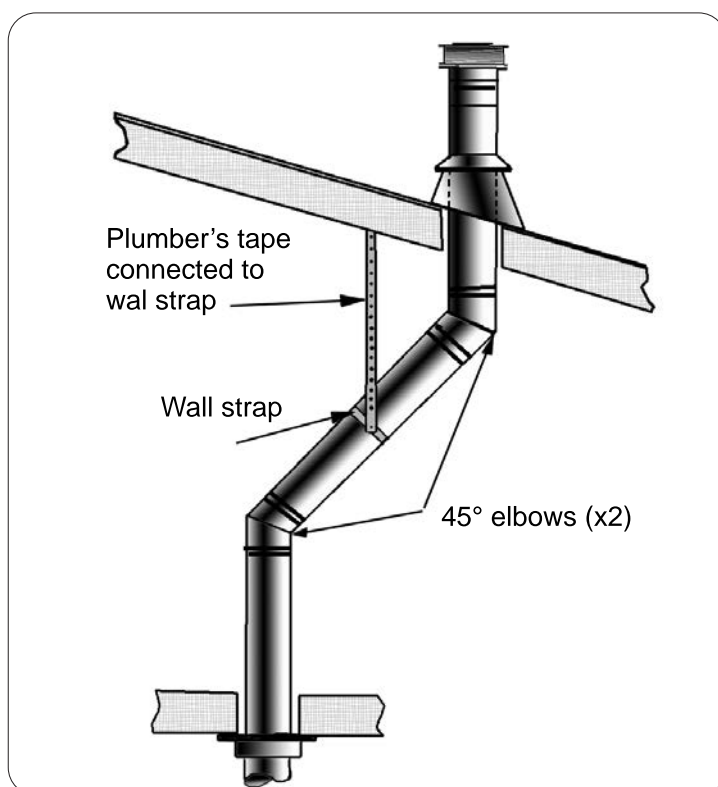
1. Check venting clearances and termination restrictions for required clearances to combustibles when passing through ceilings, walls, roofs, enclosures, attic rafters, or other nearby combustible surfaces. Do not pack air spaces with insulation.
2. Set the fireplace in the desired location. Drop a plumb bob down from the ceiling to the fireplace flue exit and mark the location where the vent will penetrate the ceiling. Drill a small hole at this point. Next, drop a plumb bob from the roof to the hole and mark the spot where the vent will penetrate the roof. Determine if ceiling joists, roof rafters, or other framing will obstruct the venting system. Relocate the fireplace or offset the venting to avoid cutting load bearing members.
3. To determine the length of pipe required, measure room height, ceiling thickness, and vertical rise in an attic or second story. Firestops are required at each floor level beyond the first floor ceiling support/wall thimble cover or cathedral ceiling support box. If an offset is required to avoid obstructions, use a pair of 45 degree elbows. For proper support, use elbow straps with offsets. Use wall straps for long vertical runs. Attic insulation shield is required in attic.
4. Measure roof pitch. Select the proper flashing and storm collar and determine the height above the roof (see Table). A non-corrosive pipe material must be used for all exterior pipe lengths. Seal nail heads with silicone.

Roof Pitch	Minimum Height (H)	
	Feet	Meters
Flat to 7/12	1	0.3
Over 7/12 to 8/12	1.5	0.46
Over 8/12 to 9/12	2	0.61
Over 9/12 to 10/12	2.5	0.76
Over 10/12 to 11/12	3.25	0.99
Over 11/12 to 12/12	4	1.22
Over 12/12 to 14/12	5	1.52
Over 14/12 to 16/12	6	1.83
Over 16/12 to 18/12	7	2.13
Over 18/12 to 20/12	7.5	2.29
Over 20/12 to 21/12	8	2.44



NOTES:

1. If an offset is necessary in the attic to avoid obstructions, it is important to support the vent pipe every 3' (914 mm) using wall straps to avoid excessive stress on the elbows.
2. Use 45° degree elbows instead of 90° degree elbows when ever possible. The 45° degree elbow offers less restriction to the flow of flue gases and intake air.

**Horizontal Termination:**

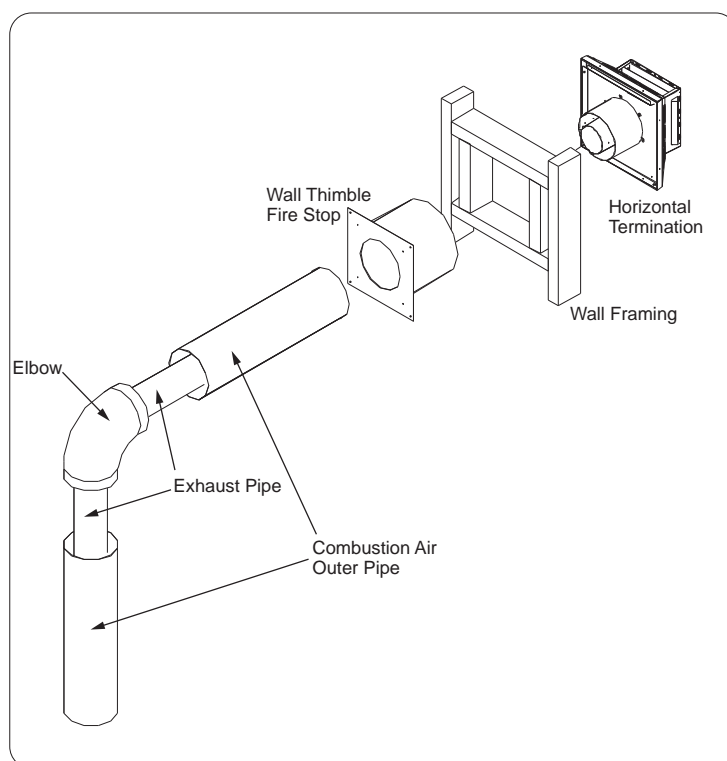
1. A minimum 3ft vertical section before an elbow is required when horizontally terminating with an approved venting cap.

2. Horizontal pipes must not be level. For every 12" (305 mm) of horizontal travel there should be at least ¼" (6.4 mm) of vertical rise. Never allow the vent to run downward, as this could cause high temperatures or even present the possibility of a fire.

3. The exterior of the horizontal vent termination must not be blocked or obstructed.

4. If the vent termination is not being attached to wood, the four wood screws provided should be replaced with material appropriate fasteners.

5. For buildings with vinyl siding, a vinyl standoff should be installed between the vent cap and the exterior wall. Attach the vinyl siding standoff to the horizontal termination. The termination attaches to the flat portion of the standoff which provides an air space between the wall and the vent termination. The air gap prevents excessive heat from possibly melting the vinyl siding.



6. Horizontal pipes must be supported every 3' (914 mm). Plumber's "all round" strap will suffice.

7. Clearances to combustibles must be maintained when running horizontal pipe. 1" (25 mm) sides, 1" (25 mm) bottom, 3" (76 mm) top, and 3" (76 mm) above elbows outside the immediate chase.

8. Set the fireplace in the desired location. Check to determine if wall studs will be in the way when the venting system is attached. If this is the case, the location of the fireplace may have to be adjusted or the venting may have to be offset.

9. Many direct vent pipe sections are designed with special twist-lock connections. Dry fit the desired combination of pipe and elbows to the appliance adaptor.

10. With the pipe in the correct position and attached to the fireplace, mark the wall for a hole as directed by specified wall thimble dimensions. Cut and frame the hole in the exterior wall where the vent will be terminated. If the wall being penetrated is made of a non-combustible material (i.e. masonry or concrete) a minimum **7 1/2" (191mm)** hole is acceptable.

Venting Clearances

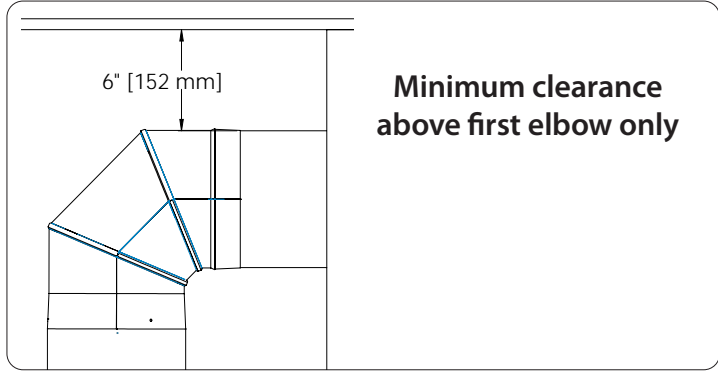
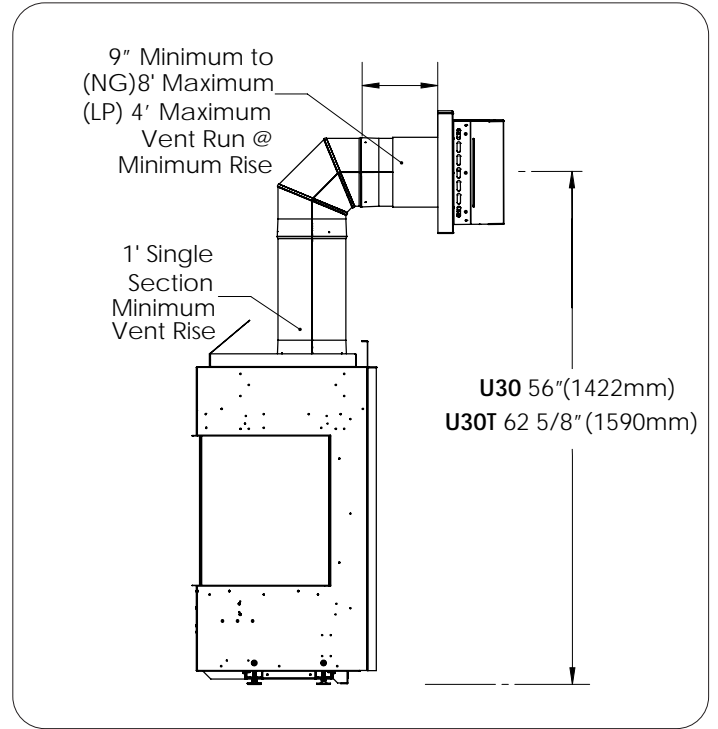
Clearances must be in accordance with local installation codes and requirements of the gas supplier.

NOTE: Venting terminals shall not be recessed into walls or siding.

-This gas appliance must be direct vented and can't be connected to a chimney flue serving a separate solid-burning appliances.

Clearances to combustibles must be maintained around all vent pipes.

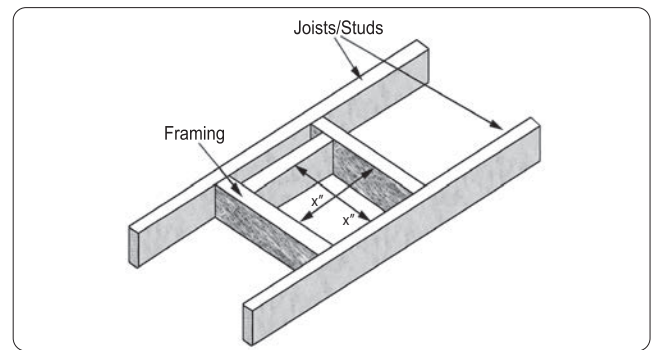
Minimum Vent Clearances	
Vertical Pipe to Studs	1" (25mm) all around
Above Horizontal Pipe	3" (76 mm)
Horizontal Pipe Sides & Bottom	1" (25 mm)
Above First Elbow	See below
Above Additional Elbows	3" (76 mm)



Wall / Ceiling Thimble

Use a wall thimble when passing through an exterior wall or ceiling. Typically the framing hole will be 10 1/2" x 10 1/2" but each thimble manufacturer may vary. Installations in Canada require a wall thimble be used but they are recommended for all installations. All sealing and vapour barriers must comply with local building codes.

Use a firestop when passing through interior joints of subsequent floors.



Approved Rigid Venting

Manufacturer	Trade Name	Nominal Sizes
ICC	EXCELDirect	4" - 6 5/8"
M&G Dura-Vent	Direct Vent Pro	4" - 6 5/8"
Selkirk	DIRECT-TEMP	4" - 6 5/8"
Sekirk	AMP DV	4" - 6 5/8"
Metal-Fab Inc.	Sure-Seal	4" - 6 1/2"

Refer to the table (left) for part numbers of commonly used parts for approved venting systems. Please visit the respective manufacturers' website for more information.

WARNING: Do not mix parts from different vent manufacturers' systems.

EXCEPTION TO WARNING: This product has been evaluated by Intertek using a DirectVent Pro starting collar in conjunction with other venting manufacturers. Using the DirectVent Pro starting collar is deemed acceptable and does not affect the Intertek listing of the appliance.

Table 7: Vent Part Numbers (must state if galvanized or black wanted)

M&G Duravent Direct Vent Pro	ICC EXCELDirect	Selkirk DIRECT-TEMP	Amerivent AMV DV	Metal-Fab Sure-Seal DV	Description
46DVA-06	4DL6	4DT-06		4D6	6" pipe length
			4D7		7" pipe length
46DVA-09	4DL9	4DT-09			9" pipe length
46DVA-12	4DL1	4DT-12	4D12	4D12	12" pipe length
46DVA-18		4DT-18		4D18	18" pipe length
46DVA-24	4DL2	4DT-24	4D2	4D24	24" pipe length
46DVA-36	4DL3	4DT-36	4D3	4D36	36" pipe length
46DVA-48	4DL4	4DT-48	4D4	4D48	48" pipe length
46DVA-60					60" pipe length
46DVA-E30					30° elbow
46DVA-E45	4DE45	4DT-EL45	4D45L	4D45L	45° elbow
46DVA-E90	4DE90	4DT-EL90	4D90L	4D90A, 4D90L	90° elbow
46DVA-VSS, DVA-BVS	VSS	4DT-VS/VSK	4DHVS, DVSK	4DVS	Vinyl siding standoff/sheild
46DVA-WT, 46DVA-WTU	4WT	4DT-WT	4DWT	4DWT, 4DWT11	Wall thimble
46DVA-SC	SQSC, SC	4DT-SC	4DSC	4DSC	Storm collar
46DVA-WFS		4DT-FS		4DFSH	Wall Fire stop
46DVA-FS	4CS	4DT-FS	4DFSP	4DFS, 4DSPFS	Ceiling Fire stop
46DVA-IS	4AS	4DT-AIS	4DAIS12, AIS36	4DIS	Attic Insulation Shield
46DVA-WS	4WS	4DT-WS/B	4DWS	4DWS	Wall strap/support/band
46DVA-VCH	4SVT			4DVT	High wind vertical termination
46DVA-HC	4HT	4DT-HC	4DHCS	4DHT	High wind horizontal termination
46DVA-WG	4HTS		4DHWS	8DVTS	Horizontal Wind / Heat Guard
46DVA-VWG	4SVTS				Vertical Wind Guard
				5DAL	3" to 10" pipe, adjustable
46DVA-17TA					11" to 17" pipe, adjustable
46DVA-24TA					17" to 24" pipe, adjustable
	4DLA30				16.5" to 29" pipe , adjustable
	4DLS1				1 7/8" to 9" slip length pipe
	4DLS2				1 7/8" to 21" slip length pipe
46DVA-F6	6EFA	4DT-AF6	4DF	5DF	Flashing, 0/12 to 6/12 roof pitch
46DVA-F12	6EFB	4DT-AF12	4DF12	5DF-12	Flashing, 7/12 to 12/12 roof pitch
46DVA-FF	6EF			5DFT	Flat Roof Flashings
46DVA-CFK	4MF				Masonry Flashing
46DVA-KCT	MA	4DT-MCK	4DRCKM		Masonry Conversion Kit [USA only]

A snorkel is permitted for use on installations where additional vertical rise is required on the exterior of the building. Refer to the table below for the approved models. Note, the use of a snorkel does not reduce the minimum required venting or termination clearances.

Manufacturer	Trade Name	Model #
ICC	EXCELDirect	ST14 ST36
M&G Dura-Vent	Direct Vent Pro	46DVA-SNK14 46DVA-SNK36
Selkirk	DIRECT-TEMP	4DT-ST14 4DT-ST36

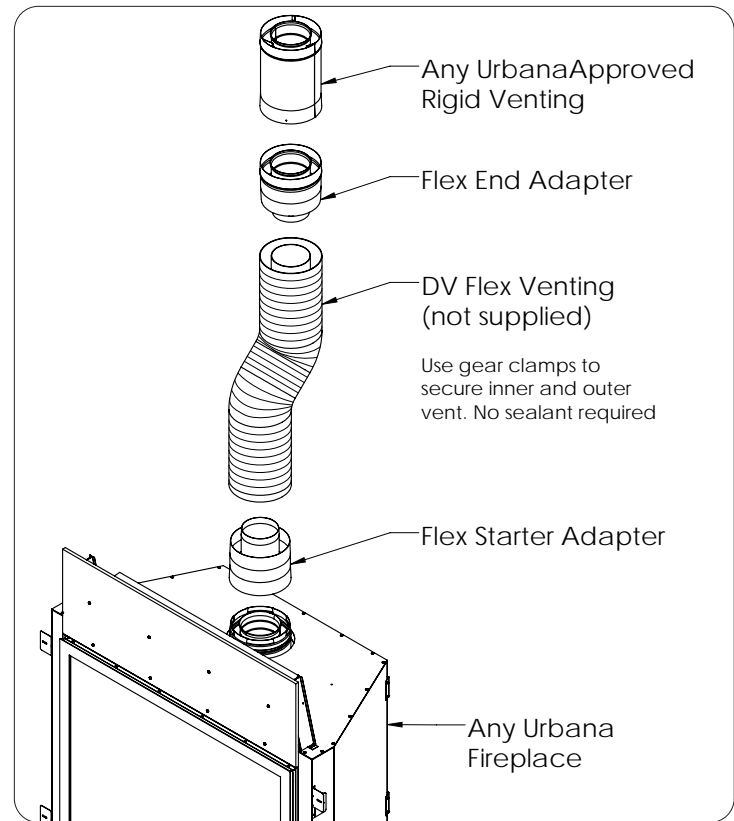
Flex Venting:

This fireplace is certified to work with aluminium co-axial flex venting. Flex venting can be used in the same configurations as rigid pipe, see venting diagram for details. Flex venting is only to be used for the run, it must be adapted to rigid piping for exterior wall penetration and termination. **Note: Adhere to all rigid venting safety measures and clearances.**

Use 4X7 Flex Adapter Kit [50-3788]: This kit will allow you to adapt co-axial flex to the fireplace, make your vent run, then adapt back to rigid venting (**flex not included**).

NOTES:

- Do not bend flex vent over 90 degrees.
- All horizontal runs should have a minimum 1/4" (6mm) rise per foot for optimal performance.
- Do not allow the inner flex pipe to contact the outer pipe, keep it pulled tight and use spacer springs.
- Spacers are required at the start, middle, and end of each elbow to ensure gap is maintained.
- Do not add any extensions to the preset kits, if more length is required, use rigid pipe.
- No need for liquid sealant; secure flex venting with aluminum vent tape and apply sufficient self-tapping screws.



Approved Flex Venting:

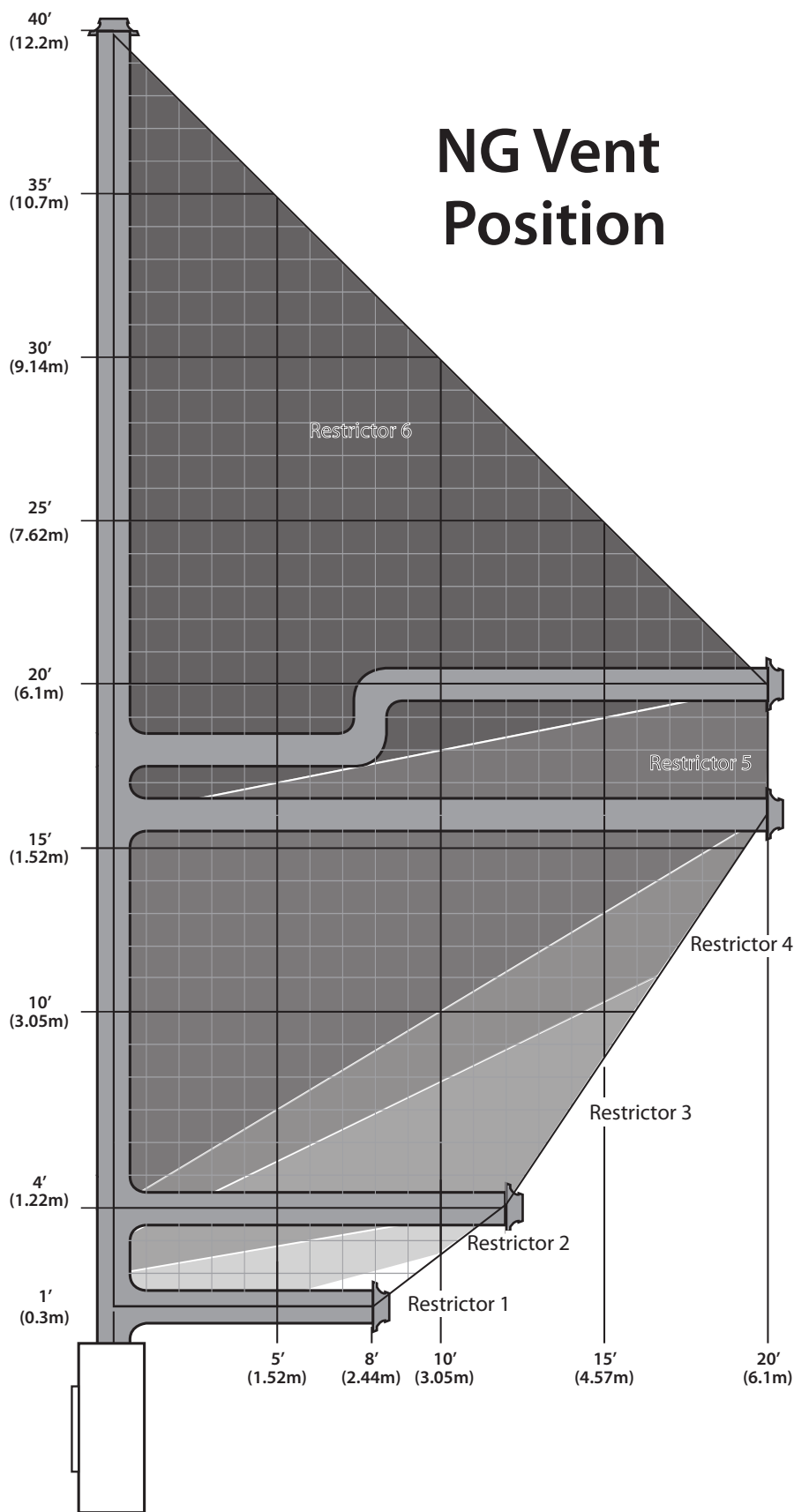
Any 4X7 CSA or UL flue gas certified aluminum or stainless steel flex is acceptable. Proper spacers must be used to keep pipes from contacting each other. Proper venting spacers must be used. Nothing makeshift. Examples of allowable flex pipe brands include, but are not limited to the following:

- M&G Duravent
- Selkirk Corp
- ICC
- Z-Flex
- Flexmaster
- Chim Flex
- Olympia
- BDM
- Metal-Fab

Only the flex venting and spacers are needed. You must use the flex adapter kit and a certified rigid pipe termination cap.

Approved Venting Configurations (NG) :

NG Vent Position



This shows the range of venting options using either vertical or horizontal terminations; any layout that remains within the shaded area is acceptable. Having the fewest number of elbows is ideal as they restrict air movement.

Any combination of rise and run can be used as long as it lays within the shaded area.

A maximum of three (3) 90° elbows or six (6) 45° elbows can be used.

90° elbows in the horizontal plane account for 3 horizontal feet (91.4cm) to your venting run. 45° elbows account for 1½ feet (45.7cm).

Restrictor Setting: Find the point on the graph where your vent configuration will terminate.

Remember to consider elbows in the HORIZONTAL plane account for horizontal distance as stated above.

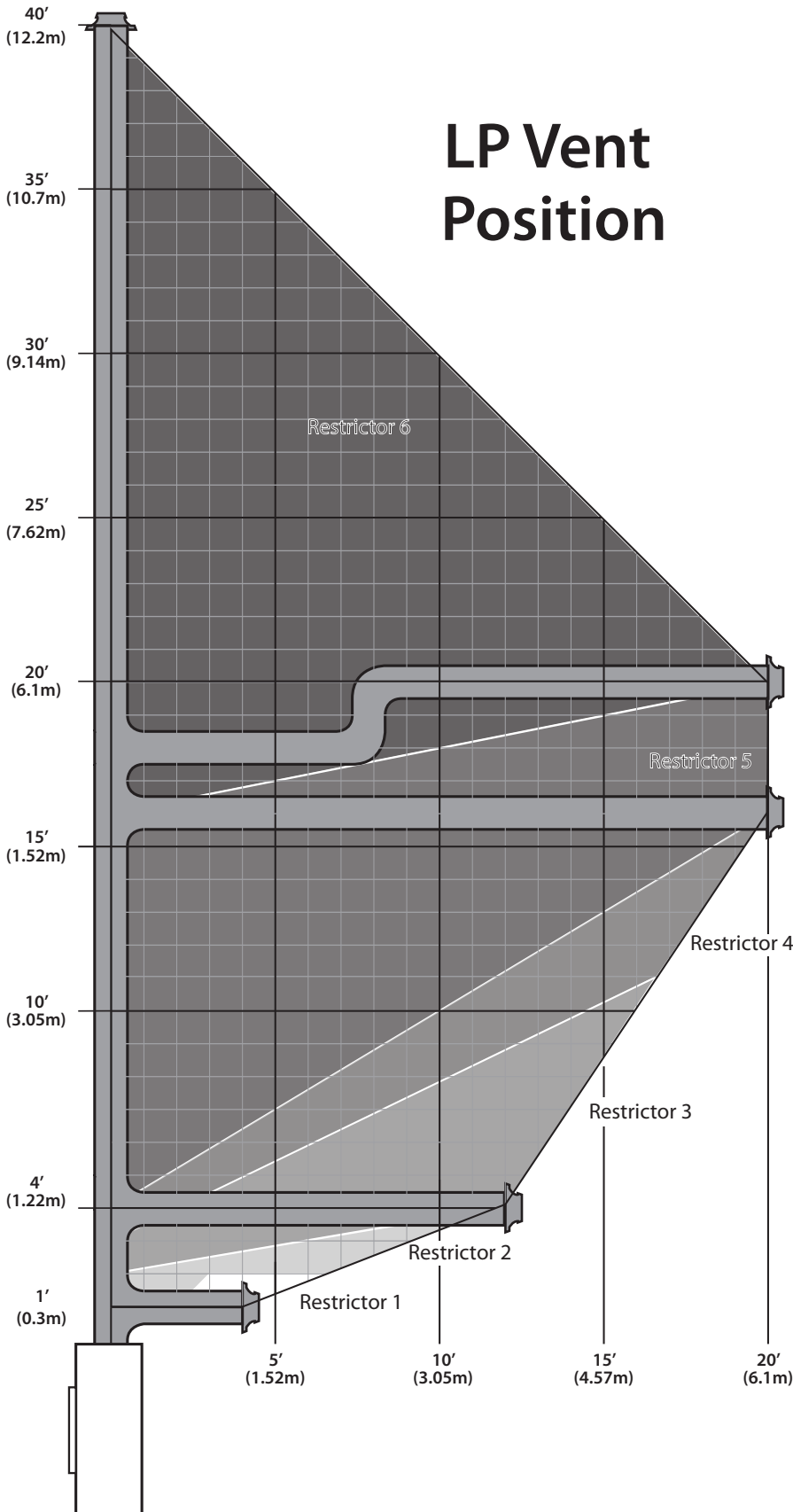
Use the corresponding exhaust restrictor setting indicated on the graph. See the following section in this manual for restrictor details. Your climate and altitude may alter what restrictor is required for your particular application.

Note - LED models may require a lower restrictor setting than what is shown on the vent graph. Adjust as needed for desired flame appearance.

Does your vent configuration fall outside the limits? Use our power vent kit (50-3883) for a much broader venting range.

Approved Venting Configurations (LP) :

LP Vent Position



This shows the range of venting options using either vertical or horizontal terminations; any layout that remains within the shaded area is acceptable. Having the fewest number of elbows is ideal as they restrict air movement.

Any combination of rise and run can be used as long as it lays within the shaded area.

A maximum of three (3) 90° elbows or six (6) 45° elbows can be used.

90° elbows in the horizontal plane account for 3 horizontal feet (91.4cm) to your venting run. 45° elbows account for 1½ feet (45.7cm).

Restrictor Setting: Find the point on the graph where your vent configuration will terminate.

Remember to consider elbows in the HORIZONTAL plane account for horizontal distance as stated above.

Use the corresponding exhaust restrictor setting indicated on the graph. See the following section in this manual for restrictor details. Your climate and altitude may alter what restrictor is required for your particular application.

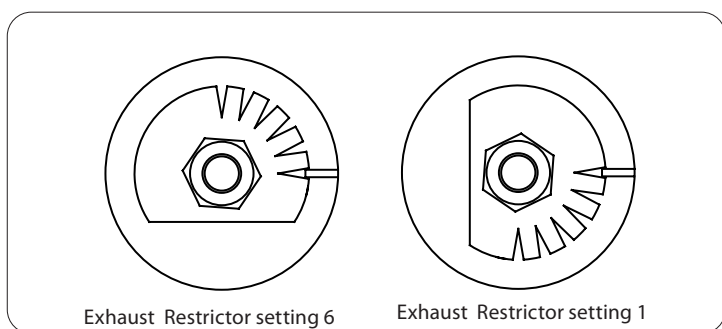
Note - LED models may require a lower restrictor setting than what is shown on the vent graph. Adjust as needed for desired flame appearance.

Does your vent configuration fall outside the limits? Use our power vent kit (50-3883) for a much broader venting range.

Exhaust Restrictor Settings:

The restrictor disk is used to regulate draft and combustion air that leads to proper flame quality and appearance.

Climate, altitude, fuel-type, and vent configuration will depict which restrictor setting should be used. Use the vent graph to establish a starting point and adjust as necessary. The proper setting is crucial for an efficient burn and best possible flame appearance. Final adjustments should be made after running for 15-20 minutes. Consider that the flame will continue to grow as more time passes. Tune the air shutter (venturi) in conjunction with restrictor.

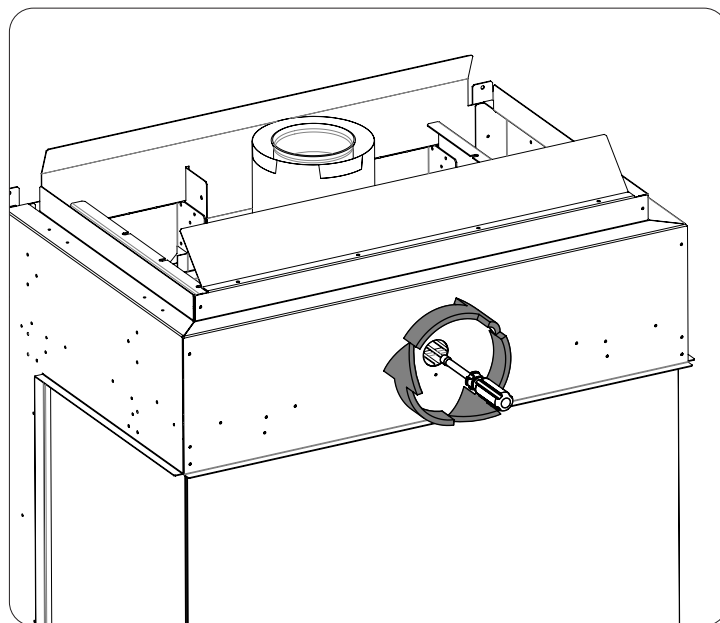


Rotate the dial counter-clockwise to increase the restriction level successively until the appropriate setting is achieved. When the flat edge is horizontal the restrictor level is at its maximum.

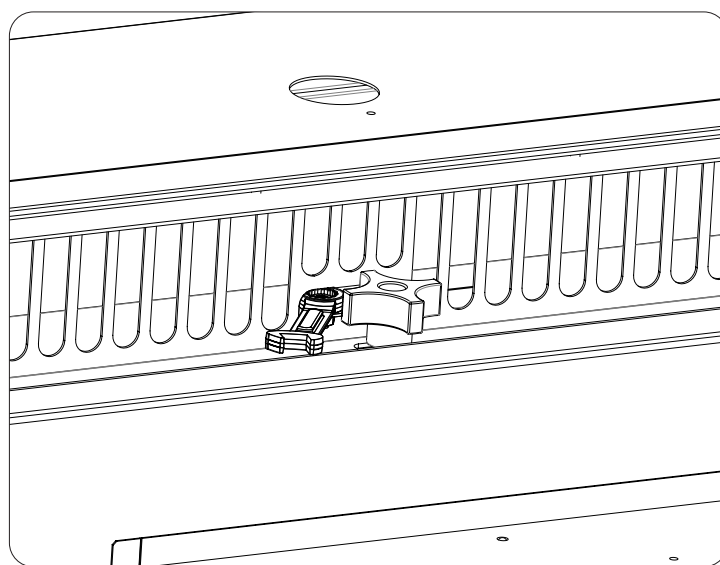
WARNING: Improperly set restrictor setting can cause overheating issues which can lead to building fire.

Exhaust Restrictor Adjustment:

To adjust the exhaust restrictor, locate the access hole on the front of the unit.

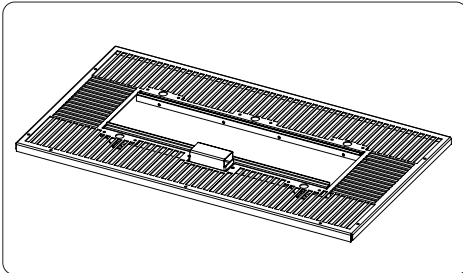
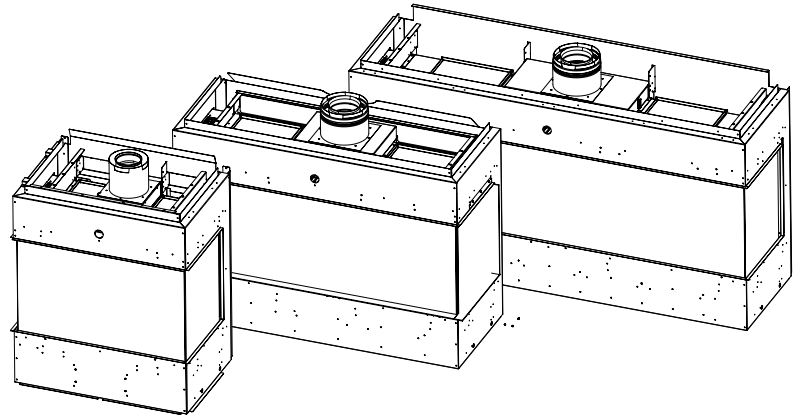


Use a 7/16 " socket with long extension to adjust the restrictor dial to desired setting. Allow unit to warm up sufficiently and make adjustment as needed.

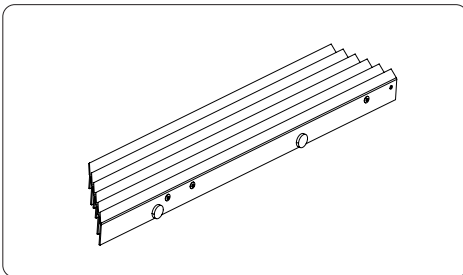


The restrictor dial can be accessed by removing the outer glass if the unit has already been finished into the wall.

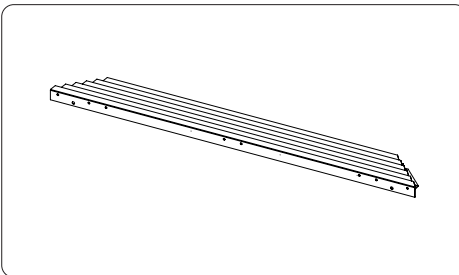
1. Remove outer glass (see page 21).
2. Look up to see the cut-out in the steel to access the nut above the top glass clamp. Use a 7/16 wrench to make adjustments.



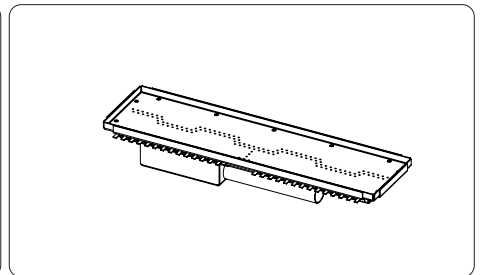
#50-3909 - U30 BURNER PLATFORM



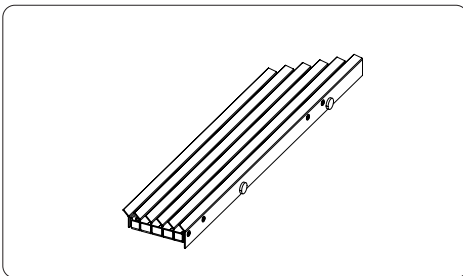
#50-3903 - RIGHT LOUVER ASSEMBLY
PART USED IN ALL UNITS



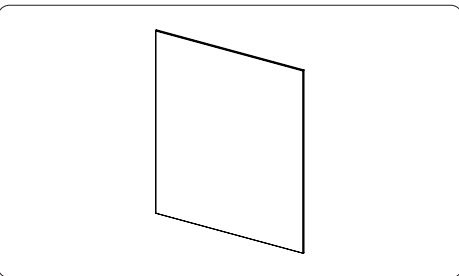
#50-3915 - U30 FRONT LOUVER ASSEMBLY (1
PCE)



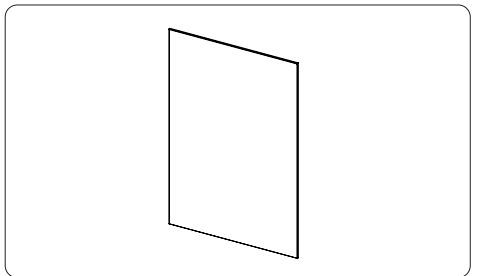
#50-3906 - U30 BURNER PAN
(NG & LP)



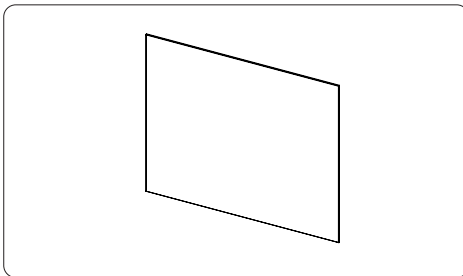
50-3902 - LEFT LOUVER ASSEMBLY
PART USED IN ALL UNITS



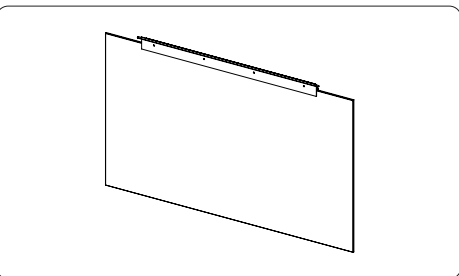
#50-3895 - URBANA OUTER SIDE GLASS
#50-4062 - URBANA TALL OUTER SIDE GLASS



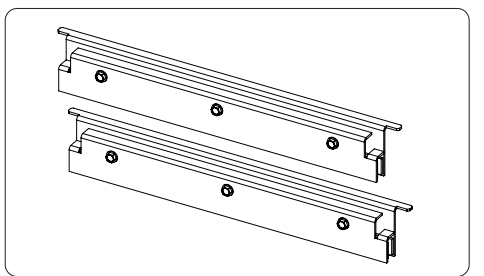
#50-3894 - URBANA INNER SIDE GLASS
#50-4066 - URBANA TALL INNER SIDE GLASS



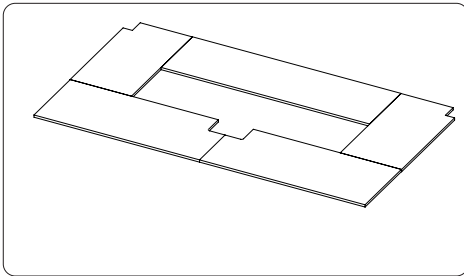
50-3913 - U30 INNER FRONT GLASS (1 PCE)
50-4063 - U30T INNER FRONT GLASS (1 PCE)



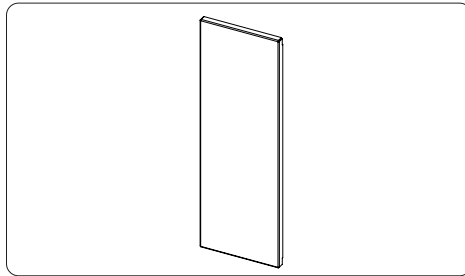
#50-3914 - U30 OUTER FRONT GLASS
ASSEMBLY (1 PCE)
#50-4059 - U30T OUTER FRONT GLASS
ASSEMBLY (1 PCE)



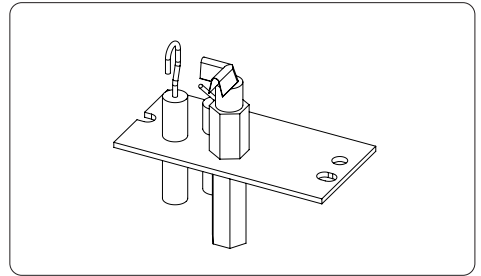
#50-4452 OUTER SIDE GLASS CLAMPS
PART USED IN ALL UNITS



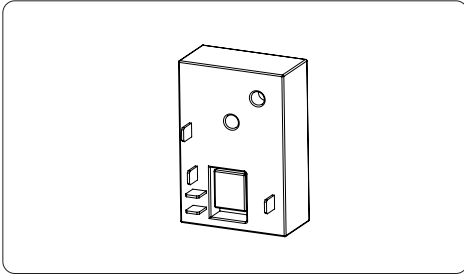
#50-3812 U30 INFINITY GLASS BEZEL (4 PCES)



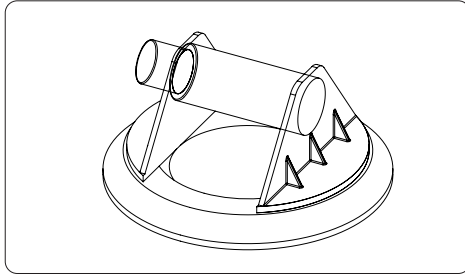
#50-3905 - STEEL SEGMENTED LINER (1 PCE.)
#50-4067 - STEEL SEGMENTED LINER - TALL (1 PCE.)



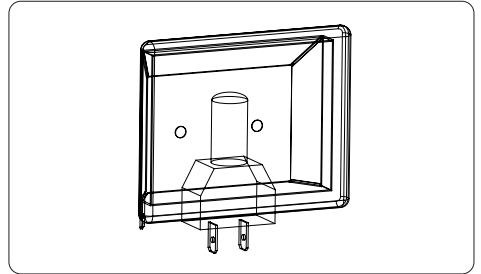
#50-4056 URBANA IPI PILOT ASSEMBLY
PART USED IN ALL UNITS



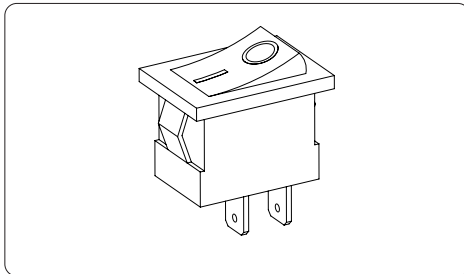
#50-3899 - TIMING RELAY
PART USED IN ALL UNITS



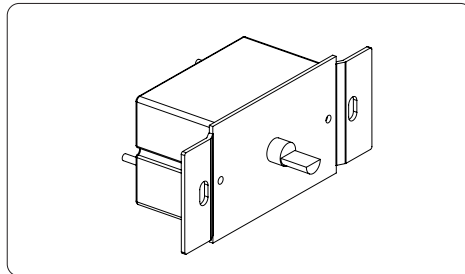
#50-3837 - SUCTION CUP HANDLE (1 PC)
PART USED IN ALL UNITS



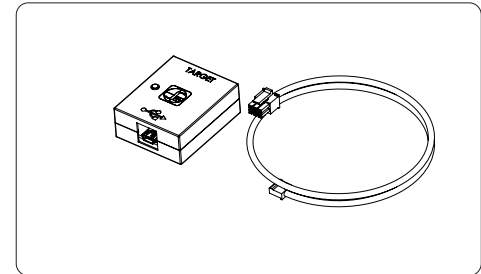
#50-3516 - TOP LIGHT ASSEMBLY
PART USED IN ALL UNITS



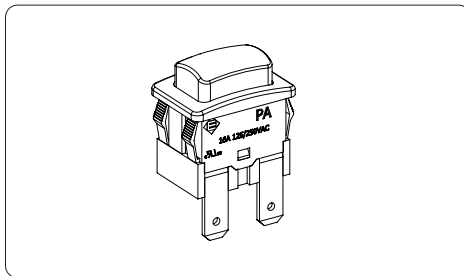
#50-3892 - URBANA ROCKER SWITCH
PART USED IN ALL UNITS



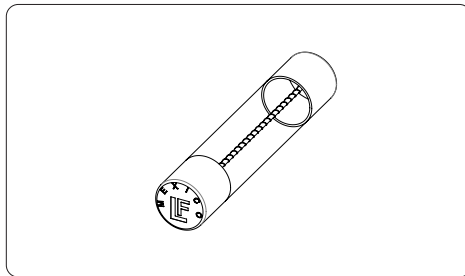
#50-3900 - FAN CONTROL RHEOSTAT
PART USED IN ALL UNITS



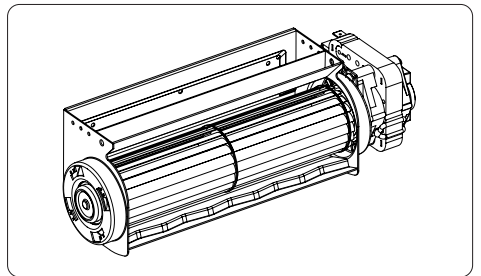
#50-3805 URBANA WIFI MODULE
PART USED IN ALL UNITS



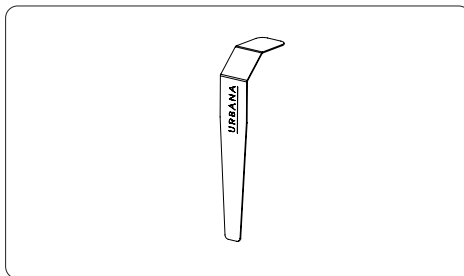
#50-3518 URBANA RESET BUTTON
PART USED IN ALL UNITS



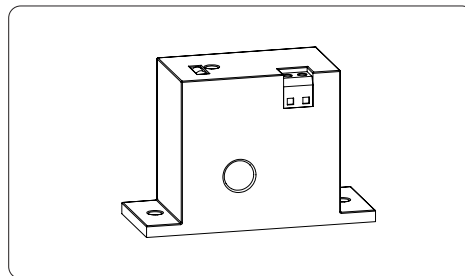
#50-2076 - 4 AMP FUSE
PART USED IN ALL UNITS



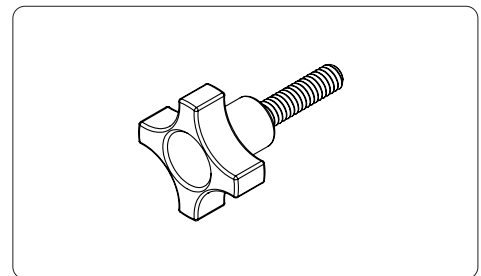
50-3901 - URBANA FAN
PART USED IN ALL UNITS



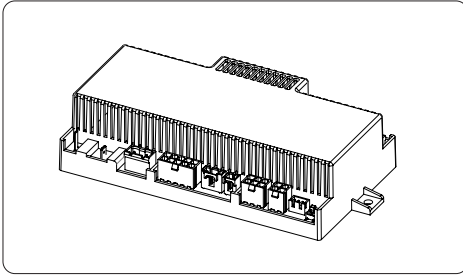
#50-4081 SWITCH TOOL
PART USED IN ALL UNITS



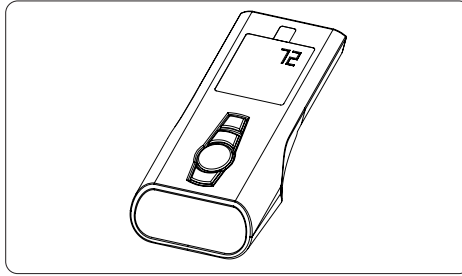
#50-4311 - CURRENT SENSING SWITCH
PART USED IN ALL UNITS



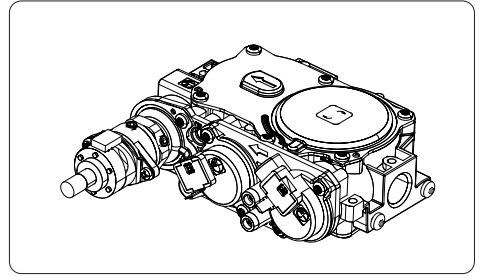
#50-4279 - GLASS HAND KNOB (METAL)
PART IN ALL UNITS



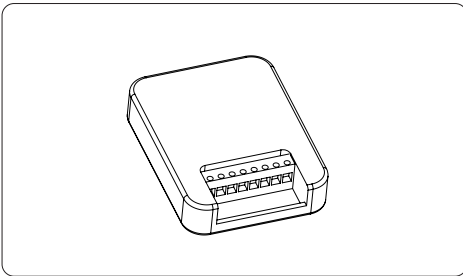
#50-3887 - PF2 WIFI READY IFC
PART USED IN ALL UNITS



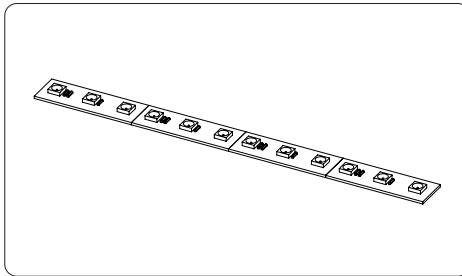
#50-3888 - PF2 WIFI READY TRANSMITTER
PART USED IN ALL UNITS



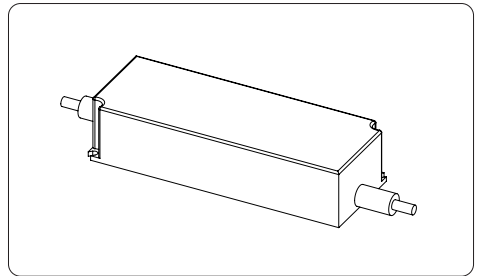
#50-2682 - SIT 885 VALVE W/ STEPPER MOTOR
(NG)
PART USED IN ALL UNITS



#50-3889 - LED WIFI CONTROLLER
PART USED IN ALL LED UNITS



#50-3891 - LED LIGHTING STRIP
PART USED IN ALL LED UNITS



#50-3890 - LED DRIVER
PART USED IN ALL LED UNITS

Gaskets	Part numbers
U Series Firebox Glass Gasket (20ft)	50-3896
U Series Silicone Glass Gasket (4ft)	50-3897
U30 Relief Gasket (2 pcs)	50-3910

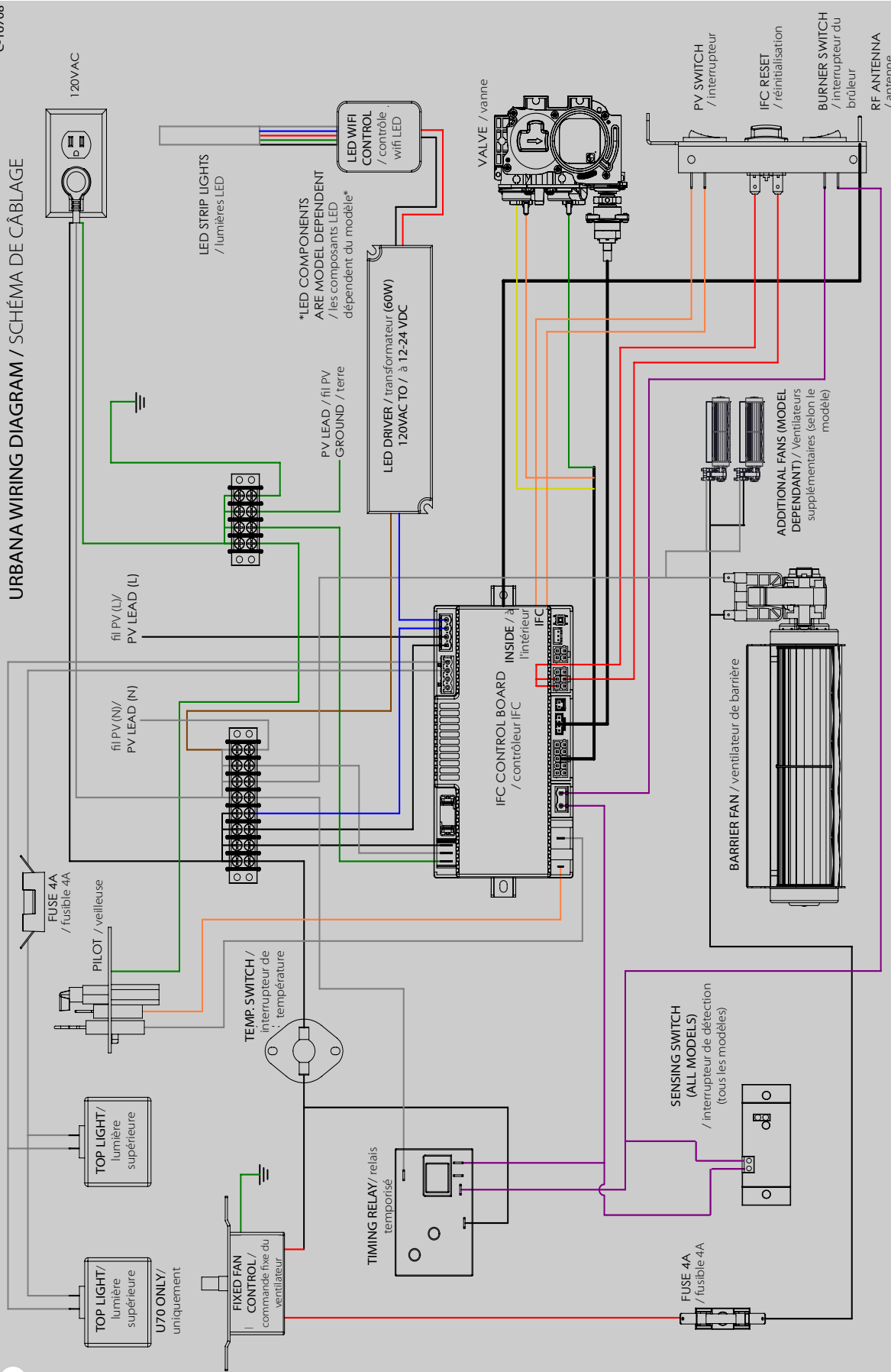
Wire Harnesses	Part Numbers
ProFlame 2 IFC Wire Harness	50-3030
U Series On/Off Switch Harness	50-3893

Problem	Cause	Solution	Check
Burner doesn't turn on	IFC ON/OFF circuit is OPEN	Ensure ON/OFF circuit is complete (check with multimeter)	Check the ON/OFF switch, confirm "-" symbol is pressed down Check for continuity across burner switch Check for continuity across timing relay terminal A and B (see "Safety Circuit System")
	Remote signal not being received	Ensure IFC is receiving remote commands (beeping) **Remote commands may need to be repeated	Re-sync remote Weak or dead remote batteries Check receiver antenna is in correct location (see "Fireplace Control Panel") Check for red blinking light on IFC (see "IFC locked out" below)
	No call for heat	Ensure heat has been called for	Check thermostat setting is below set point Check third party fireplace control
	Unresponsive IFC	Ensure IFC is working correctly *audible beeps confirms IFC is getting power	Check circuit breaker Check for 120VAC at IFC Check IFC fuse Check for red blinking light on IFC (see "IFC error" troubleshooting section)
	Problem with pilot	Ensure pilot flame is operational	See "Pilot flame not lighting.." below
Pilot not attempting to spark	No call for heat	Ensure heat has been called for	Check thermostat setting is below set point Check third party fireplace control
	Locked out IFC	Reset IFC	See "Unresponsive fireplace" below
	Spark signal interrupted	Ensure complete sparker circuit	Check electrode rod not shorting out on burner platform - adjust rod only if necessary Check electrode wire not shorting out (especially at aluminum pilot line) Check orange electrode wire has firm connection at IFC Check pilot electrode orientation to pilot hood - should be no more than 1/4" away
	Natural vent Power vent (PV) circuit is OPEN	Ensure PV circuit is closed (check with multimeter)	Check the PV switch, confirm "-" symbol is pressed down (see "Fireplace Control Panel") Ensure the IFC PV jumper hasn't come loose inside the IFC (orange wires)
	Power vent Power vent (PV) circuit is CLOSED	Ensure PV system is working	See "Fireplace unresponsive" below
Pilot flame not lighting or weak flame (has spark at hood)	Air in pilot gas line	Purge pilot gas line	May take a few ignition cycles for gas to self-purge (may need to hard reset IFC after cycles)
	Not enough gas pressure	Ensure gas is reaching pilot	Check gas inlet supply and pressure (see "Gas Connections") Check for complete wiring connections at valve (look for faux connections) Check pilot is set-up for correct fuel-type Check for pilot flame obstructions (typically burner media) Check for debris in pilot line at pilot head (typically propane units) Check pilot flame adjustment screw on valve Check for pilot line leak - do you smell gas?
Pilot flame not staying lit	7 continuous days with no burner operation	Re-start fireplace using remote	This is normal
	Problem with flame sensor circuit	Ensure healthy flame rectification	Ensure sensor hook is glowing bright red Check for healthy pilot; ensure sensor hook is fully engulfed in flame Check sensor hook is not touching pilot hood Check white sensor wire has firm connection with IFC Check sensor hook for corrosion, film, or debris Check pilot for healthy ground (check pilot hood continuity)
Flame dropping out (visual flame problems)	Improper fireplace settings	Ensure proper fireplace settings	See "Venting Configuration" Check exhaust restrictor setting; see "Venting Configuration" Check venting configuration is approved Check for venting obstructions (including at termination cap) Check primary air setting; see "Primary Air Adjustment"
	Weak or erratic pilot flame	Ensure pilot flame is healthy	Check flame sensor circuit; see "Pilot flame not staying lit"
	Environmental conditions (windy)	Fireplace adjustment may be necessary	Check for approved high-wind termination cap Check for proper fireplace settings (see above) Adjust exhaust restrictor only if necessary
Flame dropping out (no visual flame problems)	Environmental conditions (extreme cold)	Use "Continuous Pilot" mode (CPI)	This will help the fireplace establish draft when freshly turned on
Flame dropping out (no visual flame problems)	Problem with safety circuit	Ensure safety system is functioning correctly	Review safety system; see "Safety Circuit System" Check all fan(s) are functioning at a decent speed Check for sensor switch operation. Red light should be on when fans are running. Check for continuity across sensor switch terminals A and B (see "Safety Circuit System")
	Not enough gas supply	Ensure proper gas flow and pressure Ensure pilot is operational	Check fuel supply and gas test ports (see "Gas Connections") See "Pilot flame not staying lit"
Flame cycling on/off (15-20 min)	No sensor switch signal	Ensure proper sensor switch operation	Ensure the sensor switch is activating when cooling fans turn on (approx 15-20min) There should be continuity across sensor switch terminals when fan operating Ensure purple wires are properly connected
	Dead or weak fan	Ensure fan(s) are running at a decent speed Ensure all fans are seeing at least 90VAC	Check for blown fan fuse Check for dust, debris, or pet hair at fan axles There should be continuity across fan terminals (check when off) If fan is weak but free of debris then replace If all fans are weak, check for voltage output across fan rheostat
Flame lifting	Too much primary air	Decrease primary air by closing air shutter (venturi)	See "Adjusting Primary Air Setting"
	Exhaust restrictor setting	Improper exhaust restrictor setting	See "Venting Configuration"; adjust only if necessary
	Problem with venting system	Ensure venting system is properly set-up	Check for approved high-wind termination cap Check venting configuration is approved Check for leaks in venting system
	Input rate too high	Ensure correct gas orifice size and manifold pressure	See rating label for details
Flame weaving, bending or uneven (some is normal)	Trouble establishing draft (weather related)	Use "Continuous Pilot" mode (CPI)	This will help the fireplace establish draft when freshly turned on
Flame weaving, bending or uneven (some is normal)	Poor firebox seal	Ensure complete seal at glass silicone strips Ensure firebox sealed	Massage silicone strips to fill in sliver gaps and voids Ensure all hand knobs are tight - ensure upper clamps are in correct slot location Check for dirt or particles sticking to strips; use denatured alcohol to clean Side glass may need adjustment (see "Inner Glass Installation") Ensure top and bottom glass corners are sealed with liquid silicone (not included) Check for damaged fiberglass perimeter tape Check for damaged or misalignment of pressure relief door gaskets
	Uneven secondary air distribution	Ensure burner platform is secured Ensure even air slot height around burner (U70 NG models) Back and forth warping of diffuser mesh	Check for missing or stripped screws Check for warping in burner platform (when installed) Check for unsettled burner platform (sitting on a screw, liner clip, or weld build up) This is normal
	Incorrect media placement	Ensure secondary air slots are cleared	Check for piled up burner media covering air slots (vermiculite/glass media)

	Incorrect media placement	Ensure secondary air slots are cleared	Check for piled up burner media covering air slots (vermiculite/glass media) Check for logs/rocks covering air slots Check for excessive burner media (no more than 1 layer thick) Check for foreign burner media	
	Leaking burner	Ensure burner is sealed	Visually inspect burner for leaks; replace if necessary - DO NOT TEST WITH OPEN FLAME	
Blue flames (excessive)	Fireplace is warming up	Flames will yellow as fireplace heats up	This is normal	
	Too much primary air	Decrease primary air by closing air shutter (venturi)	See "Adjusting Primary Air Setting" Poor air shutter seal on venturi box	
	Exhaust restrictor setting	Improper exhaust restrictor setting	See "Venting Configuration"; adjust only if necessary	
Rich flames (excessive)	Not enough primary air	Increase primary air by opening air shutter (venturi) (NG) Remove venturi box covers for even more primary air	See "Adjusting Primary Air Setting" Check that the venturi box covers are removed (LP)	
	Improper exhaust restrictor setting	Adjust exhaust restrictor setting	See "Venting Configuration"; adjust only if necessary	
	Problem with venting system	Ensure venting system is properly set-up	Check for approved high-wind termination cap Check venting configuration is approved Check venting system for leaks	
	Incorrect media placement	Adjust burner media	Check log positioning Check burner media quantity (should be one layer deep) Check for obstructed secondary air slots around burner	
	Incorrect gas input rate	Ensure gas input spec's match rating label	Check gas inlet pressure Check gas manifold pressure (with unit running) Check gas orifice matches rating label for correct fuel type	
Glass fogs on start-up	Condensation is formed on start up	Use "Continuous Pilot" mode (CPI)	This is normal, more so in damper climates	
Glass gets hazy over time	Additives in gas accumulates on glass	Use "Continuous Pilot" mode (CPI)	This will reduce the build-up rate; clean as necessary	
Fireplace gets excessively hot	Temp sensor is faulty	Ensure temp sensor is working	Sensor terminals should be opened when switch is cool (under 100F) Sensor terminals should be closed when switch is cool (over 120F)	
	Timing relay is faulty	Ensure timing relay is working	There should be no power at relay when temp sensor is open (cool) There should be continuity across purple wires only when temp sensor is closed (5s delay) There should be 120VAC at timing relay only when temp sensor is closed	
	Dead or weak fan(s)	Ensure all fans are running at a decent speed	Check for blown fan fuse Check for dust, debris, or pet hair at fan axles There should be continuity across fan terminals (disconnect from circuit)	
		Ensure all fans are seeing at least 100VAC	If fan is weak but free of debris then replace If all fans are weak, check for voltage output across fan rheostat	
	Sticking sail switch(s) (coupled with weak/dead fan)	Ensure proper sail switch operation	There shouldn't be continuity across sail switch without fan operating Check for binding sail switch counterweight	
	Chase construction obstruction	Ensure all installation spec's are met Ensure no air flow obstructions Ensure all appropriate heat shields are installed	Ensure air intake and heat release areas are at or above minimum spec Check for foreign objects blocking air intake and heat release (even a relaxing pet) Check installation section for further details	
	Material encroaching on minimum clearances	Ensure all installation spec's are met	Check installation section for further details Ensure there're no foreign objects on or above the unit within the chase	
	Problem with venting system	Ensure venting system is properly set-up	Check venting configuration is approved Check for venting obstructions	
	Exhaust restrictor setting	Exhaust restrictor setting too high	Reduce exhaust restriction	
	Incorrect gas input rate	Ensure gas input spec's match rating label	Check gas inlet pressure Check gas manifold pressure (with unit running) Check gas orifice matches rating label for correct fuel type	
Top light not working	Burnt out light bulb	Replace light bulb assembly (50-3516)	Visually inspect bulb for signs of damage, confirm continuity with multimeter	
	Blown top light fuse	Replace top light fuse (50-2076)	Visually inspect bulb for signs of damage, confirm continuity with multimeter	
	Faulty wiring	Ensure complete top light circuit	Check for wire chaffing inside light box Check top light circuit with multimeter	
LEDs not working (if equipped)	Faulty LED wiring	Ensure all LED wiring connections are secured <i>If red operating light is on LED controller</i>	Use wiring diagram for details Ensure "AUX" feature is activated on remote transmitter LED controller input wires may have come disconnected (red and black wires) Wiring at LED strip may have come disconnected (access from under burner) Check for "AUX" circuit operation using a multimeter	
	Faulty LED components	Ensure LED controller is working Ensure LED driver is working <i>*LED driver is working if LED controller operating light is on</i> (Discolouring is OK)	Check for red operating light on LED controller Check for 12-24VDC at LED controller input Check for 120VAC at LED driver input (blue and brown wires) Wiring at LED strip may have come disconnected (access from under burner)	
LED dead section	Damaged LED in section	Replace LED strip (access from under burner)	LEDs sections are 8" long; one damaged LED will kill the whole section	
LEDs work but not responding	No command signal to LED controller	Ensure commanding device is linked to LED controller Reset LED controller with supplied pin (or paper clip)	Check that mobile device (or third party system) is pair to LED controller Check for red operating light on LED controller	
IFC locked out (flashing red light)	Flame sensor signal lost during burner operation	Ensure healthy burner operation	See "Flame dropping out."	
	Pilot ignition sequence timed out	Ensure healthy pilot operation	See "Pilot not lighting."	
	Fireplace lost gas supply	Ensure proper gas flow and pressure	Check gas inlet supply and pressure	
	Problem with safety circuit system (flame shuts off after 10-20 minutes)	Ensure safety system is functioning correctly	Check monitored fan(s) are functioning at a decent speed Check for complete sail switch operation (U50/U70 models have 2) Check for continuity across sail switch terminals (see "Safety Circuit System") Check for correct timing relay switch operation (see "Safety Circuit System")	
	IFC confused	Soft reset IFC Hard reset IFC	Press reset button on fireplace switch panel and re-sync remote (tool may be required) Cut power to IFC (could use circuit breaker) and reconnect	
Fireplace unresponsive	No power to fireplace	Ensure the fireplace is seeing 120VAC	Check circuit breaker Do any fireplace features work? If so, fireplace has power Check for 120VAC at the IFC	
	Blown IFC fuse	Replace IFC fuse with exact replacement	Check for bare electrical connections Check for electrical short in top light box Was there a recent power surge?	
	IFC locked out	Reset IFC	See "IFC locked out" for possible causes	
	Natural vent Power vent	Power vent mode activated	PV switch in incorrect position PV jumper came loose inside IFC	Check the position of PV switch - the "v" should be down if operating with natural vent Ensure the IFC PV jumper hasn't come loose inside the IFC (orange wires)
	Natural vent mode activated	PV switch in incorrect position	Check the position of PV switch - the "o" should be down if operating with power vent	Ensure secure wiring interconnector connections at IFC (yellow wires) Check for continuity across vacuum signal while in start-up mode Check for PV fan operation during start-up mode (can you hear it?) If the sparkler is activating then PV start-up mode is functioning, problem lies elsewhere
	IFC not receiving vacuum switch signal	Ensure vacuum switch signal reaching IFC		

C-16708

URBANA WIRING DIAGRAM / SCHEMA DE CÂBLAGE



Please fill in and retain this information card for your future reference.

Go to www.urbanafireplaces.com/warranty to fill in your warranty registration card.

NAME OF DEALER:

ADDRESS:

PHONE:

NAME OF INSTALLER:

ADDRESS:

PHONE:

MODEL:

SERIAL NUMBER:

DATE OF PURCHASE:

_____ (dd/mm/yyyy)

DATE OF INSTALLATION:

_____ (dd/mm/yyyy)

NATURAL GAS (NAT)

PROPANE(LPG)

INLET GAS PRESSURE:

_____ in wc

MAIN BURNER ORIFICE:

_____ # DMS

PILOT ORIFICE #

_____ OR _____ in diam.

INSTALLER'S SIGNATURE:

URBANA LUXURY FIREPLACES

WARRANTY INFORMATION

Sherwood Industries Ltd. ("Sherwood") hereby warrants, subject to the terms and conditions herein set forth, this product against defects in material and workmanship during the specified warranty period starting from the date of original purchase at retail. In the event of a defect of material or workmanship during the specified warranty period, Sherwood reserves the right to make repairs or to assess the replacement of a defective product at Sherwood's factory. The shipping costs are to be paid by the consumer. All warranties by Sherwood are set forth herein and no claim shall be made against Sherwood on any oral warranty or representation.

Conditions

- ☞ A completed warranty registration must be submitted to Sherwood within 90 days of original purchase via the online warranty registration page or via the mail-in warranty registration card provided. Have the installer fill in the installation data sheet in the back of the manual for warranty and future reference.
- ☞ This warranty applies only to the original owner in the original location from date of install.
- ☞ The unit must have been properly installed by a qualified technician or installer, and must meet all local and national building code requirements.
- ☞ The warranty does not cover removal and re-installation costs.
- ☞ Sherwood Industries Ltd. reserves the right to make changes without notice.
- ☞ Sherwood Industries Ltd. and its employees or representatives will not assume any damages, either directly or indirectly caused by improper usage, operation, installation, servicing or maintenance of this appliance.
- ☞ A proof of original purchase must be provided by you or the dealer including serial number.

Exclusions

An expanded list of exclusions is available at www.urbanafireplaces.com/warranty.html

This warranty does not cover:

- ☞ Damage as a result of improper usage or abuse.
- ☞ Damage caused from over-firing due to incorrect setup or tampering.
- ☞ Damage caused by incorrect installation.

To the Dealer

- ☞ Provide name, address and telephone number of purchaser and date of purchase.
- ☞ Provide date of purchase. Name of installer and dealer. Serial number of the appliance. Nature of complaint, defects or malfunction, description and part # of any parts replaced.
- ☞ Pictures or return of damaged or defective product may be required.

To the Distributor

- ☞ Sign and verify that work and information are correct.

Sherwood Industries Ltd.

6782 Oldfield Road, Victoria, BC . Canada V8M 2A3
Online warranty registration: www.urbanafireplaces.com/warranty/

Category	One Year	Two Year	Limited Lifetime (7yr)
Parts ¹ (unit serial number required)		✓	
Firebox Liner Panels ²		✓	
Firebox			✓
Burner			✓
Ceramic Logs ³			✓
Ceramic Glass ⁴	✓		
Door Assembly			✓
Exterior Panels (excluding finish) ⁵			Up to 5 years
Electrical Components		✓	
Labour	✓		

¹ Whereas warranty has expired, replacement parts will be warranted for 90 days from part purchase date. Labour not included. Unit serial # required.

² Excluding damage to the finish caused by improper setup of the appliance, or color changes.

³ Log set and panels excludes wear and tear or breakage caused by cleaning or service.

⁴ Glass is covered for thermal breakage. Photos of box, inside of door, and unit serial # must be supplied for breakage due to shipping.

⁵ Exterior Surface finishing covers plating, enamel or paint and excludes colour changes, chipping, and fingerprints. Travel costs not included.

MANUFACTURED BY:
SHERWOOD INDUSTRIES LTD.
6782 OLDFIELD RD. SAANICHTON, BC, CANADA V8M 2A3
www.urbanfireplaces.com
May 2024
C-16707