

BELLINGHAM 52

DIRECT VENT GAS FIREPLACE



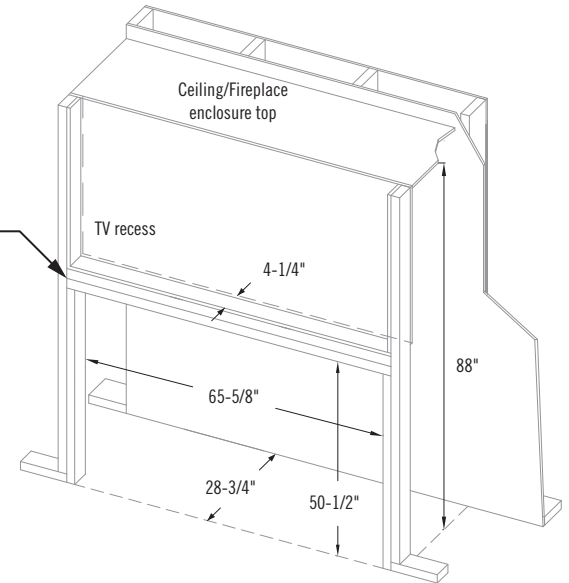
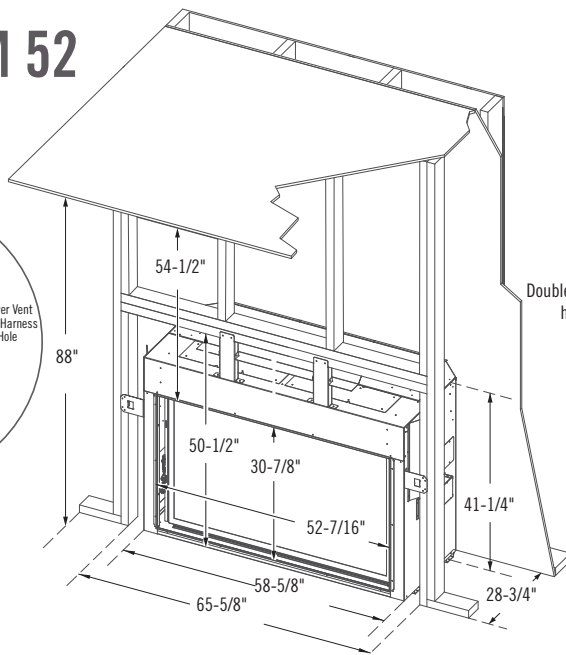
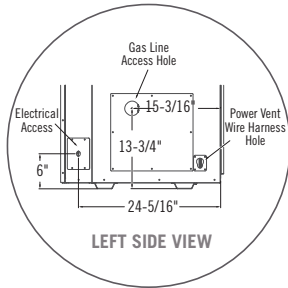
Bellingham 52 with Black glass panels
and a Vented Cavity with a 4 piece
Optional Exterior Trim Kit

QUALITY FIREPLACES FOR LIFE.

KOZY  HEAT
FIREPLACES

BELLINGHAM 52

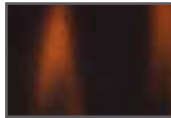
Specifications



Burn Video



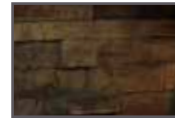
Refractory Options



Black Glass



Chicago Brick



Ledgestone



Herringbone

Clearances to Combustibles

Model	Bellingham 52
From appliance top, left & right, and back stand-off brackets	0"
From appliance corners	2"
From appliance front	36"
From finishing edge to adjacent sidewall	6"
Fireplace finishing edge to 3/4" trim	8"
Mantel 6" deep from fireplace finishing edge	11-1/2"
Minimum rough opening height	50-1/2"
Minimum rough opening width	65-5/8"
Minimum rough opening depth	28-3/4"
Minimum height of fireplace enclosure	88"
Base of the fireplace to ceiling	88"
Fireplace finishing edge to ceiling	54-1/2"
Any venting to enclosure top for horizontal terminations	11"

Model	Bellingham 52
Height	41-1/4"
Width	58-5/8"
Depth	26-9/16"
Weight	510 lbs.
Viewing Area	52-7/16" x 30-7/8"
BTU NG High/Low	59,500 / 18,500
BTU LP High/Low	59,500 / 21,500
ENERGUIDE P.4 NG / LP	65.20% / 65.80%
Steady State NG / LP	67.58% / 66.58%
AFUE % NG / LP	65.91% / 66.61%
Valve System	IPI
Required Panels/Refractory	Black Glass, Chicago, Ledgestone, Herringbone
Ceramic Glass	Standard
Fan Kit	Standard
Split-Flow Burner	Standard
Screen Front	Standard
Light Kit	Standard
Horizontal Power Vent	Optional

Features, Options & Specifications are subject to change.

Each unit factory tested

Refer to the installation manuals for complete installation & venting requirements. See additional mantel clearance configurations in the installation manual.

Vent System Approval & Requirements

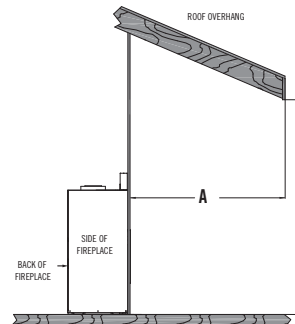
See Install Manual for details.

Approved 5" x 8" venting with the ability to reduce down. The appliance may be reduced from 5" x 8" to 4" x 6-5/8" vent system using a vent reducer from an approved vent system. Refer to the vent pipe manufacturers' installation manual for more information.

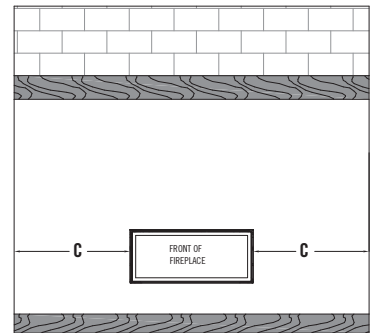
This appliance can be adapter to use 3" x 3" flexible co-linear vent pipes with a 4" x 6-5/8" reducer when used in combination with an existing minimum 6" x 8" ID masonry or 7" ID Class A metal chimney. Refer to Section 7.6 Coaxial to Co-Linear Chimney Conversion - PROPANE ONLY

Outdoor Covered Fireplace Install

- Fireplace operation is approved from 40 degrees F to 110 degrees F
- All wiring connections shall be in accordance with outdoor requirements of NECA NFPA 70
- All clearances and requirements in your appliance manual must be adhered to



The overhang (A) must be a minimum of 1/2 or greater of the roofline elevation (B) above the base of the fireplace.



The width of the overhang to each side of the appliance (C) must be a minimum of 1/2 or greater of the roofline elevation (B) above the base of the fireplace.

EXAMPLE: If roofline (B) is 10 ft. above the base of the fireplace, the overhang (A) must be 5 ft. or greater. The width of the overhang to EACH side of the fireplace (C) must be 5 ft. or greater.

Heat Management Options

Model	Bellingham 52
Komfort Zone Kit	Optional
Vented Cavity	Optional
Heat Transfer Kits	Optional

In order to continually provide the highest quality product available, features/options, specifications & dimensions are subject to change. Refer to the unit installation manual for complete installation instructions. Installation must conform with local building codes. **In some regions it may be possible that this appliance qualifies for an energy rebate. See your local dealer for details regarding promotions and qualifications.**

Manufactured by Husson Mfg. Co., Inc.
204 Industrial Park Road, Lakefield, MN 56150
Phone 1-800-253-4904 www.kozyheat.com

6-20



Product Line:



For complete information on the Kozy Heat product line, please contact us at:

FOR CALIFORNIA RESIDENTS ONLY

⚠ California Proposition 65 Warning

WARNING: This product can expose you to chemicals including Carbon Monoxide, that is an externally vented by-product of fuel combustion, which is [are] known to the State of California to cause birth defects or other reproductive harm. For more information, visit www.P65Warnings.ca.gov.