

Please leave these reference guides at the installation location until the installation is finished. See owners manual for full installation and finishing instructions before making final decisions as information is subject to change.

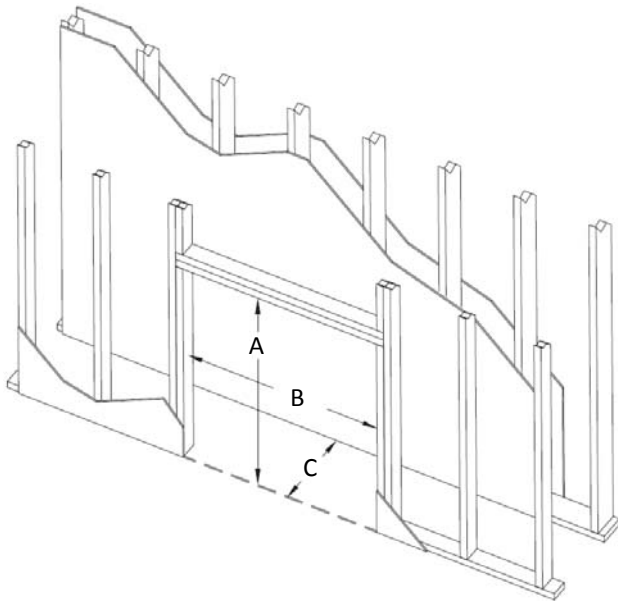
## Specifications (all measurements are in inches)

• ELECTRICAL ACCESS: LEFT SIDE

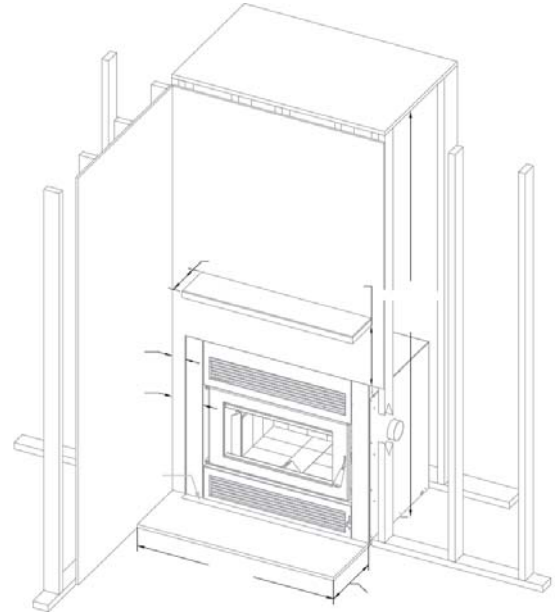
Model	BTU *Peak	Height		Front Width		Back Width		Depth		Glass Viewing Area
		Actual	Framing	Actual	Framing	Actual	Framing	Actual	Framing	
Z-42/Z-42-CD	12,850 - 36,231/*49,133	38	38-1/4	42	42-1/2	42	42-1/2	25-15/16	26-1/4	25 x 15-1/2

## Wall Enclosure Rough Opening

## Placement Clearance Requirements



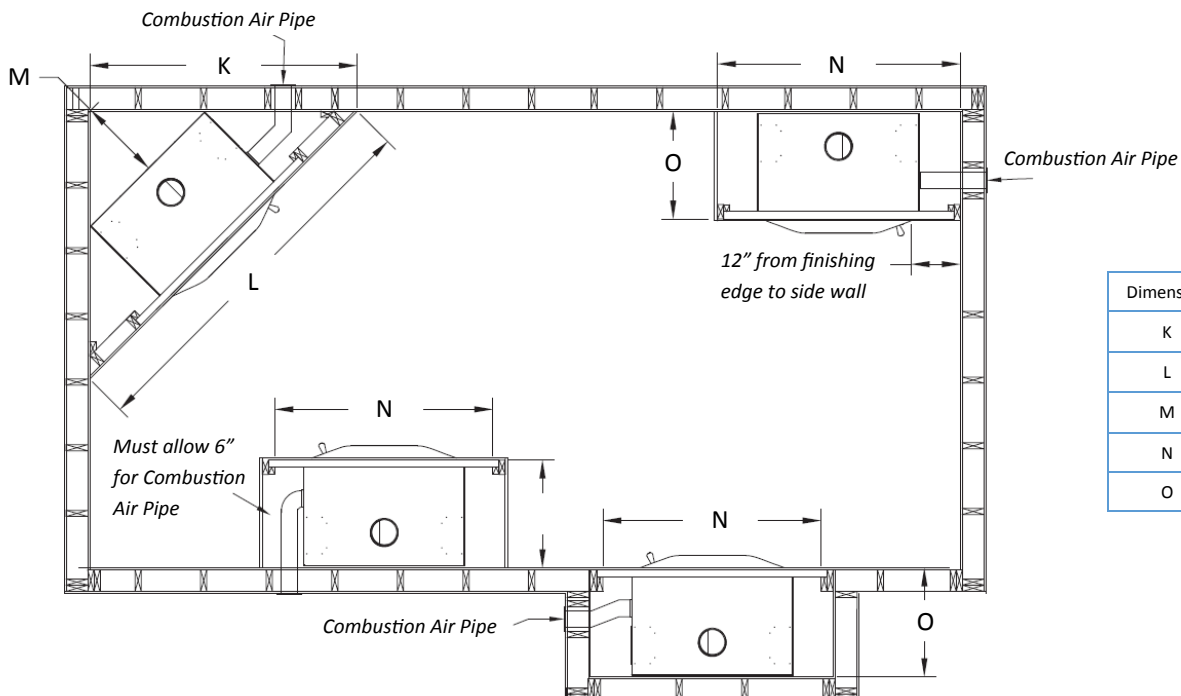
A	B	C
38-1/4	42-1/2	26-1/4



E	F	G	H	I	J
12	48	16	12	8	81

Combustible Mantel

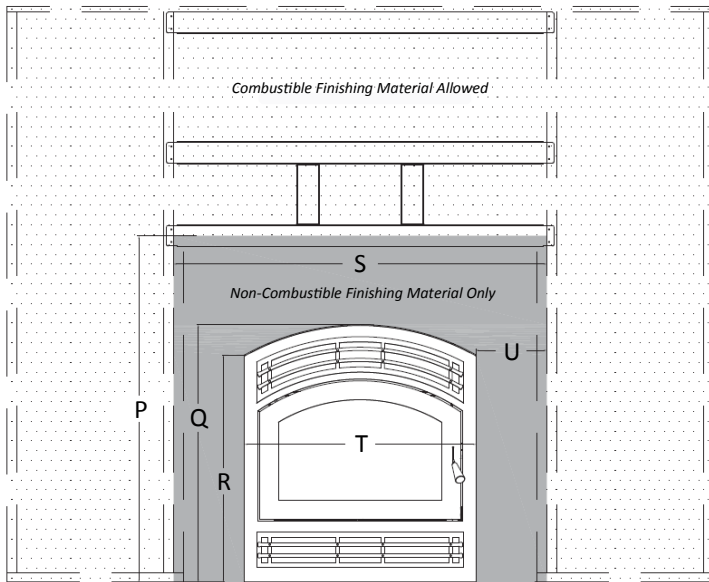
## Clearances to Combustibles



Dimension	ALB
K	65-1/4
L	92-1/4
M	20
N	54
O	26-1/4

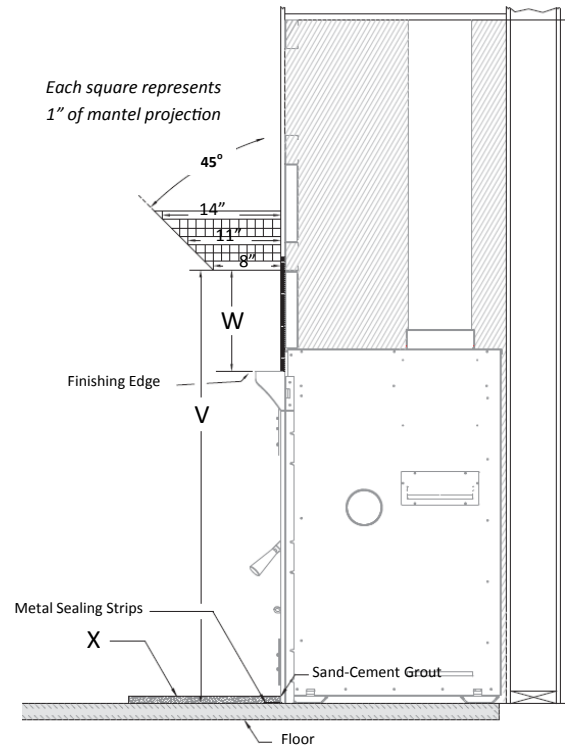
# Finishing Dimensions

# Combustible Mantel Clearances



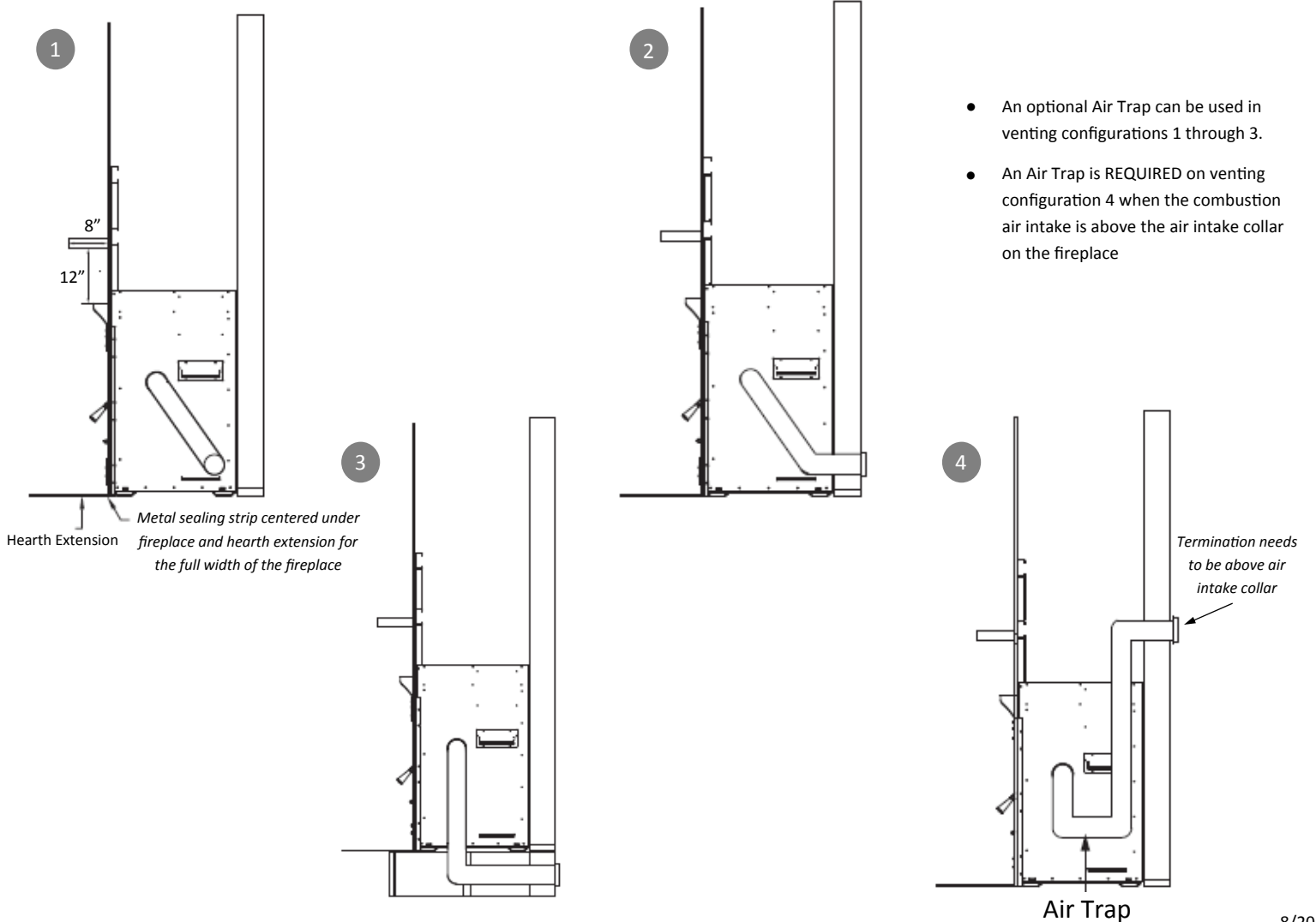
Non-Combustible Finishing Material Only
  Combustible Finishing Material Allowed

P	Q	R	S	T	U
53	39-3/8	34-3/4	57	35-1/2	10-3/4



V	W	X
51-3/8	12	16 D x 48 W

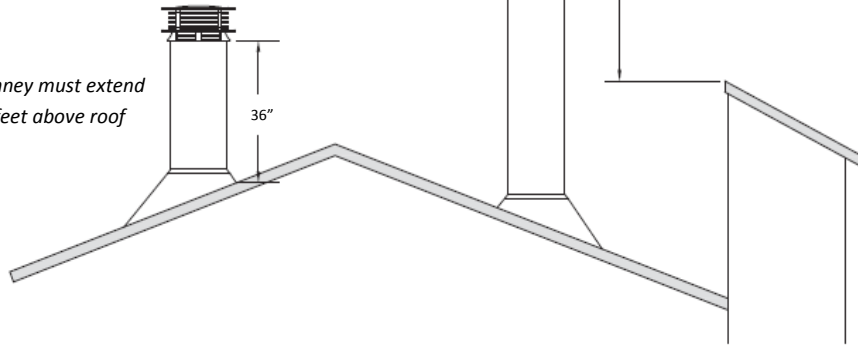
# Combustion Air Intake Requirements / Configurations



# Chimney Location and Considerations

## SLANTED ROOFS

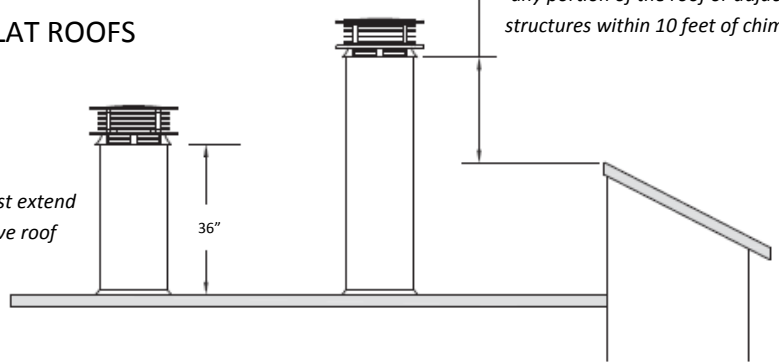
Chimney must extend 3 feet above roof



Chimney must extend 2 feet above any portion of the roof or adjacent structures within 10 feet of chimney

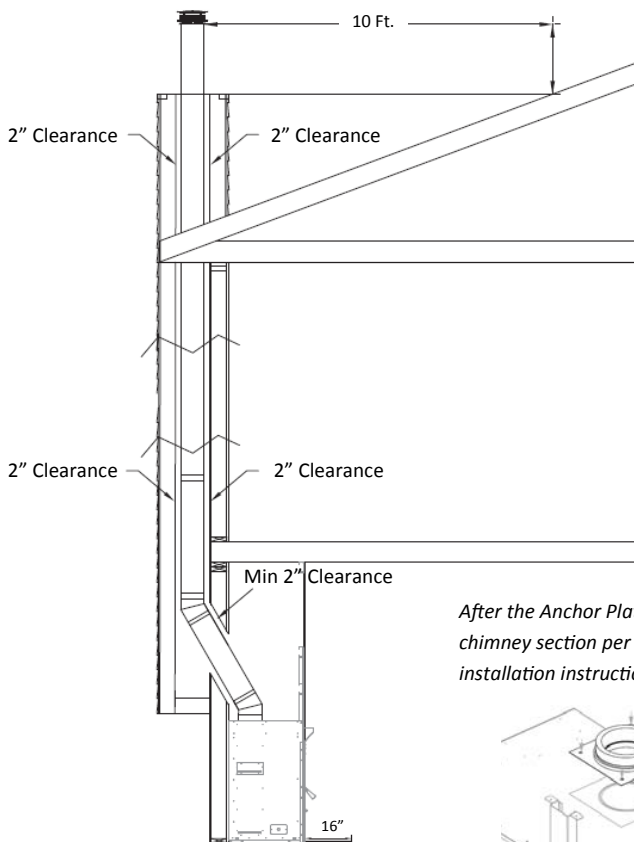
## FLAT ROOFS

Chimney must extend 3 feet above roof



Chimney must extend 2 feet above any portion of the roof or adjacent structures within 10 feet of chimney

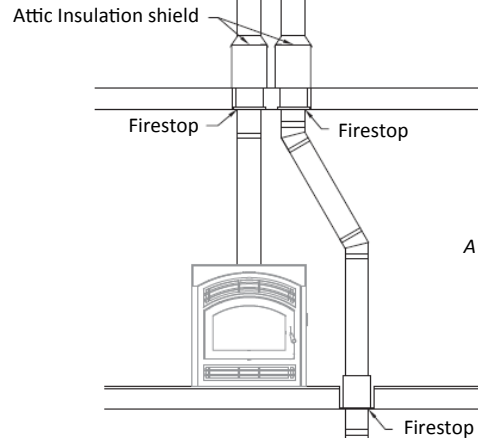
# Chimney Installation



After the Anchor Plate, connect the first chimney section per chimney manufacturer's installation instructions



An Attic Insulation Shield is required for protection where chimney passes into attic space



A Firestop must be installed where chimney passes through each floor level