

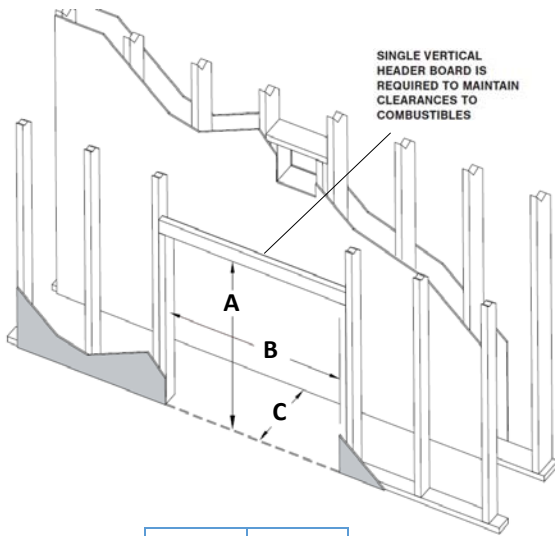
Please leave these reference guides at the installation location until the installation is finished. See owners manual for full installation and finishing instructions before making final decisions as information is subject to change.

Specifications (all measurements are in inches)

• GAS LINE OPENING: RIGHT SIDE • ELECTRICAL ACCESS: LEFT SIDE

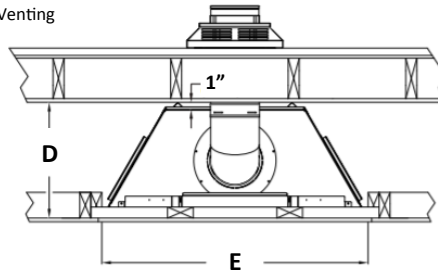
Model	BTU	Height		Front Width		Back Width		Depth		Glass Viewing Area
		Actual	Framing	Actual	Framing	Actual	Framing	Actual	Framing	
BAY-36 (all versions)	26,500	32	42	35-3/4	36-1/4	18-7/8	36-1/4	15-13/16	15-7/8	29-1/4 x 23-3/4

Framing Opening

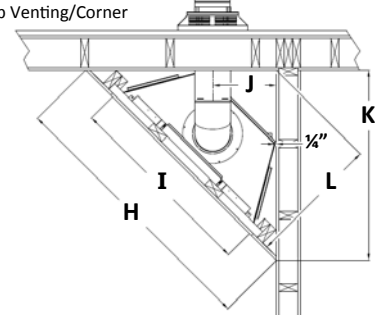


Dimension	BAY-36
A	42
B	36-1/4
C	15-7/8

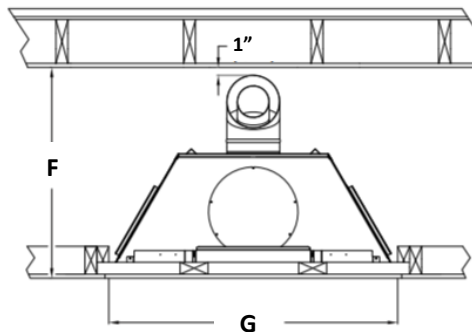
Top Venting



Top Venting/Corner

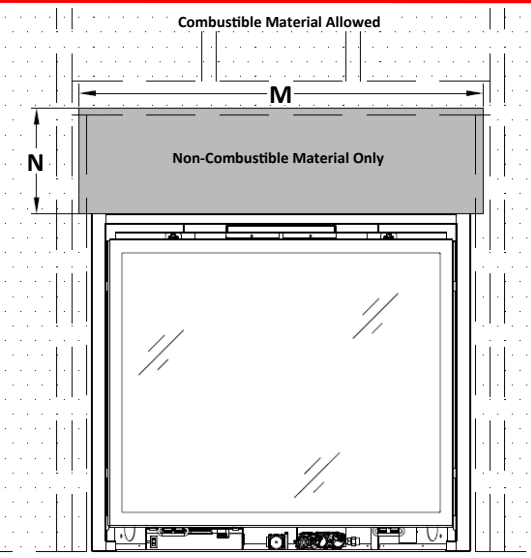


Rear Venting



Dimension	BAY-36
D	16-1/4
E	36-1/4
F	26-1/2
G	36-1/4
H	50-7/16
I	36-1/4
J	11-7/8
K	35-5/8
L	24-11/16

Finishing Clearances



Dimension	BAY-36
M	37-3/4
N	10-1/2

Finish Trim Kit



Important! If you are finishing around the fireplace with tile or stone make sure that you install the **Finishing Trim Kit** at the framing stage.

The trim kit allows for your finishing board and your tile/stone to finish up against, creating a shadowbox for the face to sit inside.

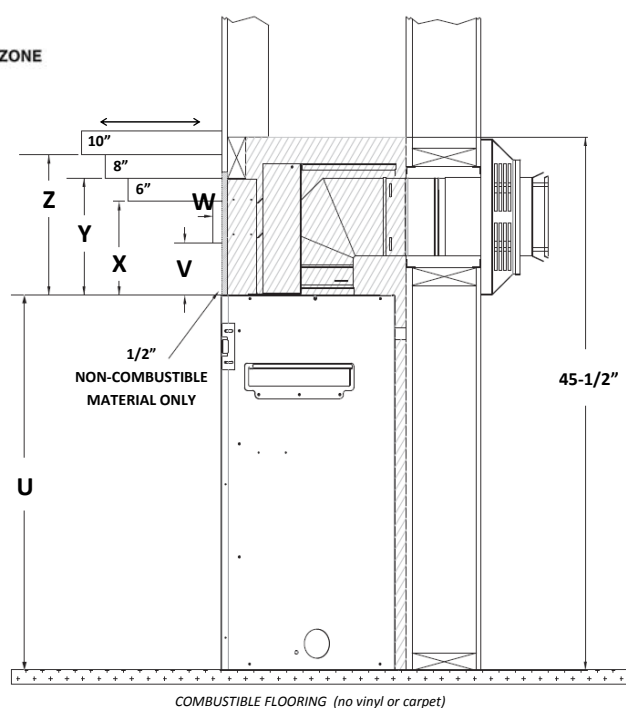
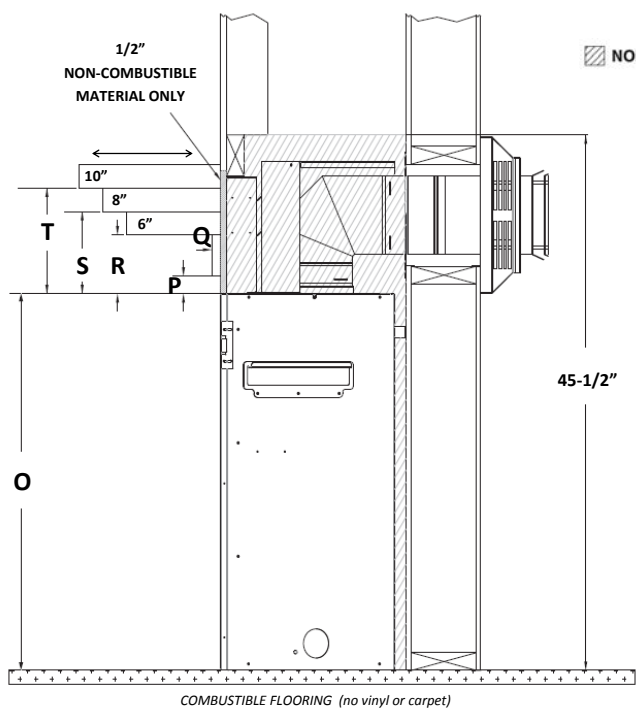
Do not use with *RSF* fronts, all other fronts apply.

Mantel Clearances

*NOTE: The clearances allowed here are ONLY for Safety Screen Fronts with part numbers that include **the number 2** (Example: #B36-PSF2)*

Clearances outlined in this drawing are for installations with screen front
#B36-RSF2 ONLY

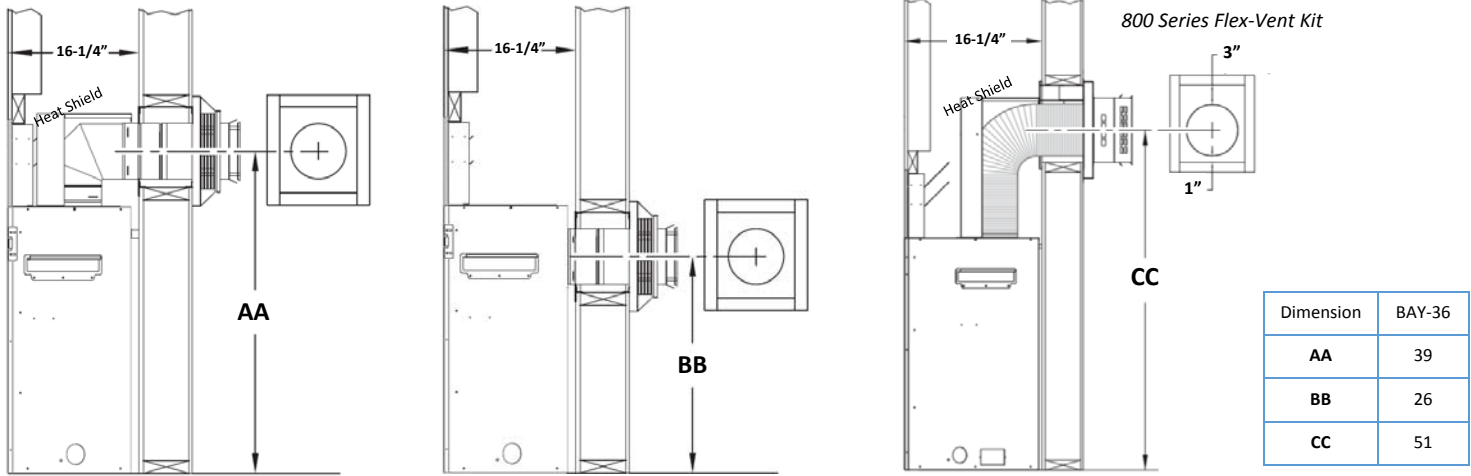
All other screen front installations must follow the clearances outlined here



Dimension	BAY-36
O	32
P	1-1/2
Q	3/4
R	5
S	7
T	9

Dimension	BAY-36
U	32
V	4-1/2
W	3/4
X	8
Y	10
Z	12

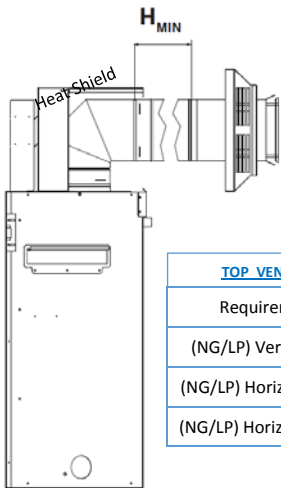
Horizontal Termination Framing



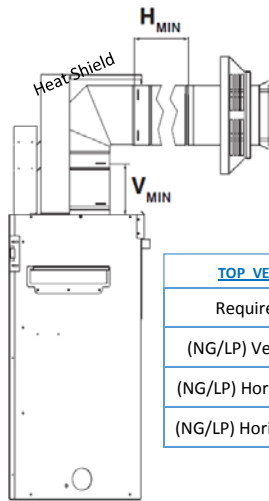
Horizontal Venting Minimum Requirements

H = Horizontal
V = Vertical

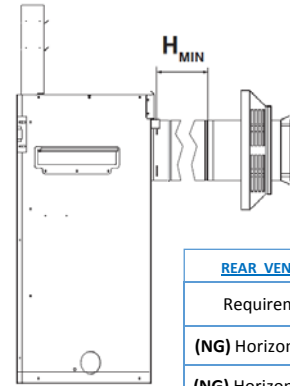
Note specific gas type minimums



TOP VENTING	LOG MODEL
Requirement	BAY-36-L
(NG/LP) Vertical Min	90° Elbow
(NG/LP) Horizontal Min	6
(NG/LP) Horizontal Max	8 ft.



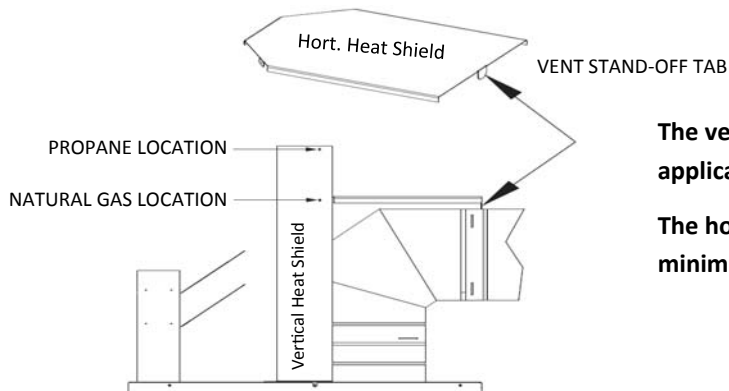
TOP VENTING	GLASS MODEL
Requirement	BAY-36-G
(NG/LP) Vertical Min	6 + 90° Elbow
(NG/LP) Horizontal Min	6
(NG/LP) Horizontal Max	8 ft.



REAR VENTING	BOTH MODELS
Requirement	BAY-36-L/G
(NG) Horizontal Min	6
(NG) Horizontal Max	48
(LP) Horizontal Min	6
(LP) Horizontal Max	12

Consult venting chart in the manual for all options above minimum requirements

Heat Shield Requirements



The vertical vent heat shield must be installed for EVERY type of venting application.

The horizontal vent heat shield must be installed when incorporating minimum horizontal venting and is positioned according to the gas type.