

# WOODBURNING | Z42 & Z42CD

ZERO CLEARANCE WOOD FIREPLACE

Z42 shown with a Single door and Black Grills



QUALITY FIREPLACES FOR LIFE.

KOZY  HEAT  
FIREPLACES



# WOODBURNING | Z42 & Z42CD (CAST DOORS)

Fronts



Z42CD with Black Grills



Z42CD with Mission Design Grills



Z42CD with Prairie Design Grills



Z42 with Black Grills



Z42 with Mission Design Grills

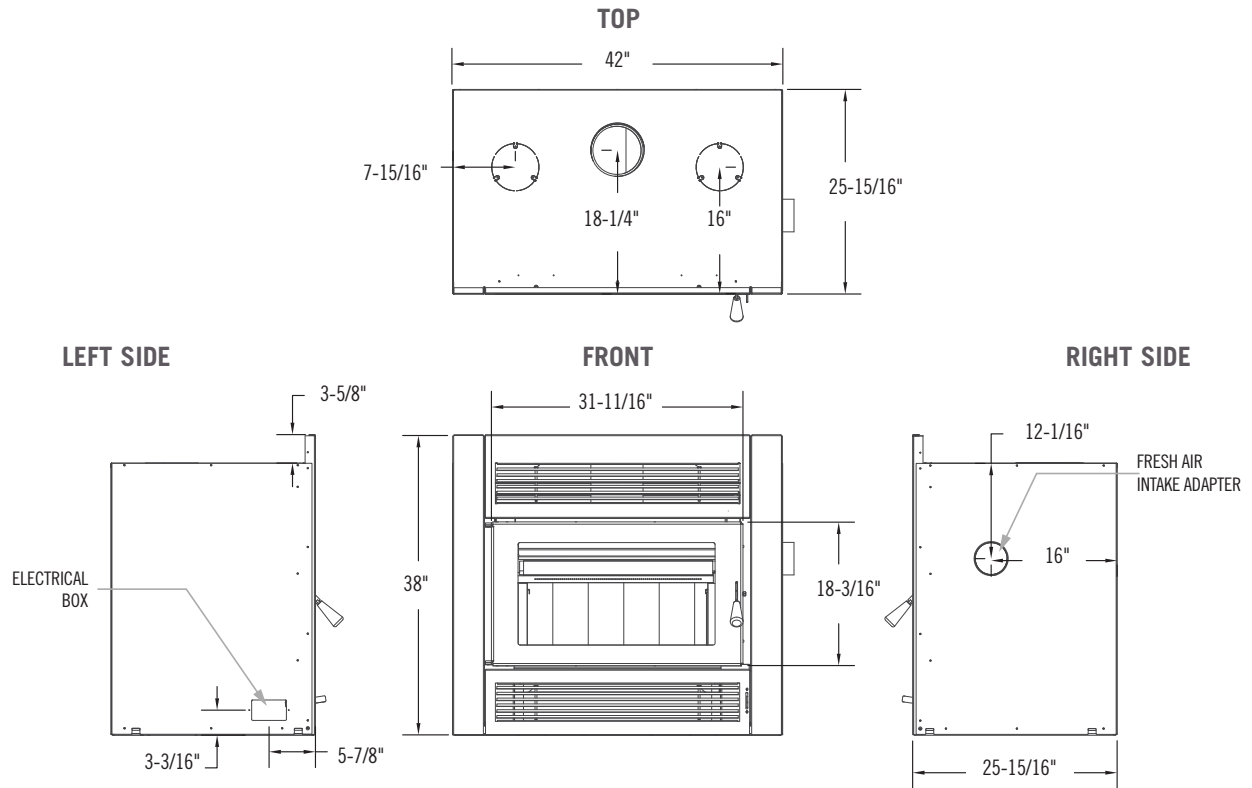


Z42 with Prairie Design Grills

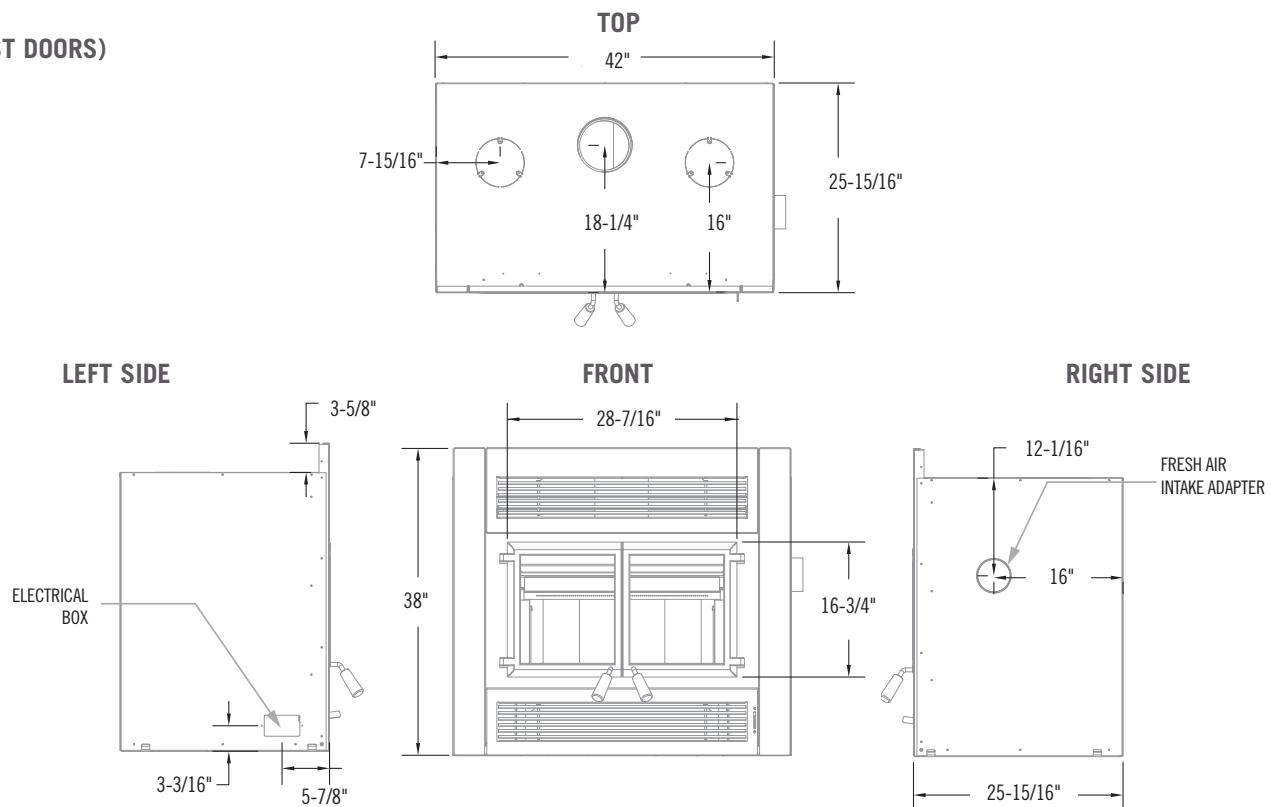
# WOODBURNING | Z42 & Z42CD

## Specifications

Z42



Z42CD (CAST DOORS)

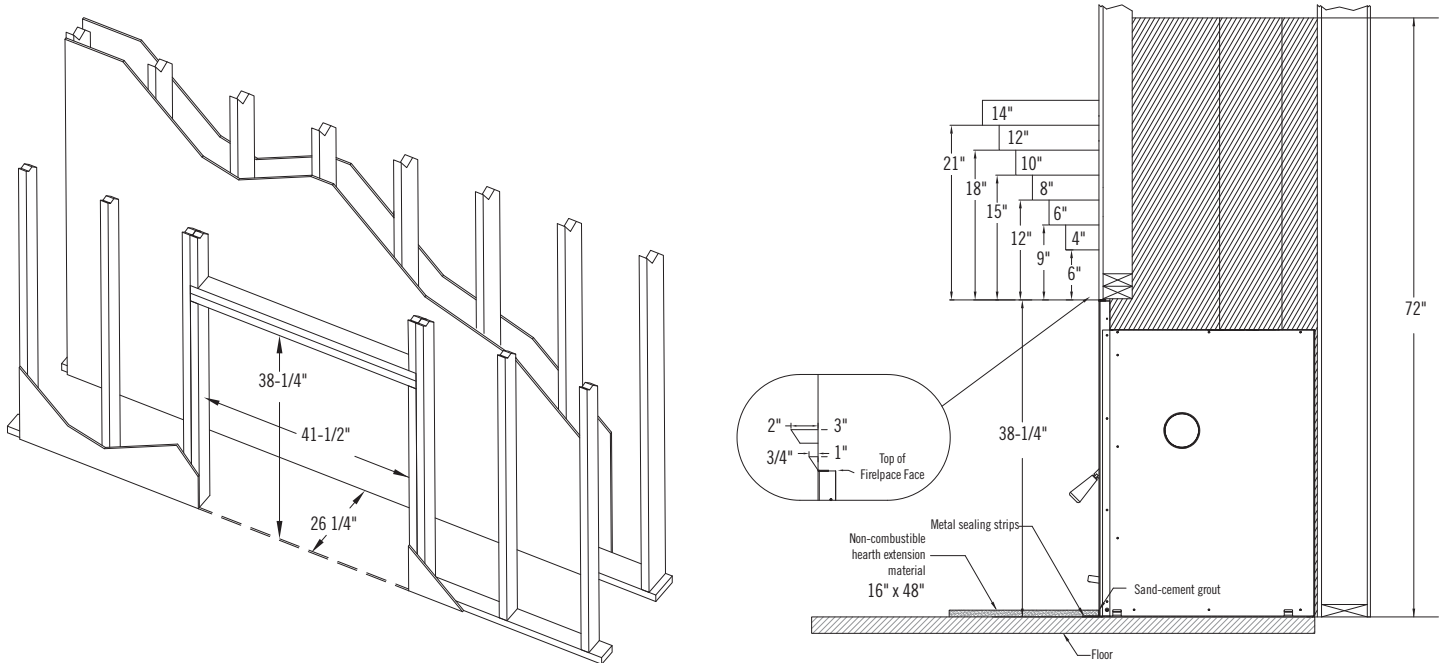


# WOODBURNING | Z42 & Z42CD

Fireplace brochures are for advertising purposes only. Refer to the specific fireplace manual for installation.

## Specifications

For a wood-fired hearth that's a 'home anywhere', look no further than Kozy Heat's Z42 & Z42CD EPA Certified fireplace. Kozy Heat's Z42 Non-Catalytic fireplace decreases flammable creosote within the chimney and burns less fuel. The end result is a clean burn, more warmth with less wood. So relax, kick back and enjoy the flames, knowing you've done your part, not just for the environment, but for your fuel budget.



## Clearances

Model	Z42	Z42CD
Height	38"	38"
Width	42"	42"
Depth	25-15/16"	25-15/16"
Weight	525 lbs.	525 lbs.
Firebox	3.0 cu. ft.	3.0 cu. ft.
Glass Size	Single Door: 25"x13"	Dual Cast Door: 11.5" x 13.5" per door
Optimum Efficiency*	73.32	73.32
Efficiency	LHV: 70.6%/HHV: 66%	LHV: 70.6%/HHV: 66%
EPA Emissions Rate	1.22 g/hr	1.22 g/hr
Peak BTU Output	49,133 BTU/hr	49,133 BTU/hr
EPA BTU Output	36,231 – 12,850 BTU/hr	36,231 – 12,850 BTU/hr
Air-Seal Doors	10 ga. steel	Dual Cast Doors
Decorative Grills	Required	Required
Fan Kit	Optional	Optional
Heat Duct Kit(s)	Optional	Optional

Model	Z42 & Z42CD
<b>Within Enclosure Area:</b>	
Unit to back wall	0"
Unit to side wall	0"
Duct boots to framing	0"
Top stand-off to header	0"
Minimum height of fireplace enclosure from the fireplace base	72"
<b>Exposed Area:</b>	
Wallboard to faceplate top edge/sides	0"
Fuel door opening to sidewall	8"
Front of fireplace	36"
Top of fireplace to an 8" mantel	12"
Air duct vent to ceiling	2"

Refer to the installation manuals for complete installation & venting requirements. See additional mantel clearance configurations in the installation manual.

\*Optimum efficiency is calculated using the medium fire test burn data, BTU content of the cordwood, and the best case moisture content of the cordwood.

## Features

- Large burning area - fits up to 22" logs
- 20 year limited warranty
- Air-wash system (keeps viewing area cleaner)\*
- \*Although the air wash system assists in keeping the glass cleaner, regular cleaning and maintenance are required.
- Adjustable fresh air intake

## Certification & Safety

- EPA NSPS Phase 2 Certified
- U.S. ENVIRONMENTAL PROTECTION AGENCY Certified to comply with 2020 particulate emission standards using cord wood.
- UL 127-2015 (R2016) and Can/ULC S610-87 Safety Standards for U.S. and Canadian installations.
- Approved with all UL 103 HT or CAN/ULC S629 - 6" Insulated Chimney Systems
- Non-catalytic
- Sealed combustion chamber
- Uses 100% outside air for combustion
- High quality pyro-ceram glass
- Tested by PFS®

## Burn Video



Features, Options & Specifications are subject to change.

In order to continually provide the highest quality product available, features/options, specifications & dimensions are subject to change. Refer to the unit installation manual for complete installation instructions. Installation must conform with local building codes. **In some regions it may be possible that this appliance qualifies for an energy rebate. See your local dealer for details regarding promotions and qualifications.**

Manufactured by Hussong Mfg. Co., Inc.  
204 Industrial Park Road, Lakefield, MN 56150  
Phone 1-800-253-4904 www.kozyheat.com

1-20



Product Line:



For complete information on the Kozy Heat product line, please contact us at:

FOR CALIFORNIA RESIDENTS ONLY

⚠ California Proposition 65 Warning

**WARNING:** This product can expose you to chemicals including Carbon Monoxide, that is an externally vented by-product of fuel combustion, which is [are] known to the State of California to cause birth defects or other reproductive harm. For more information, visit www.P65Warnings.ca.gov.