



## Opti-myst® Pro 1500

60" Built-in Electric Firebox

GBF1500-PRO

Impressive flames, completely customizable and versatile.



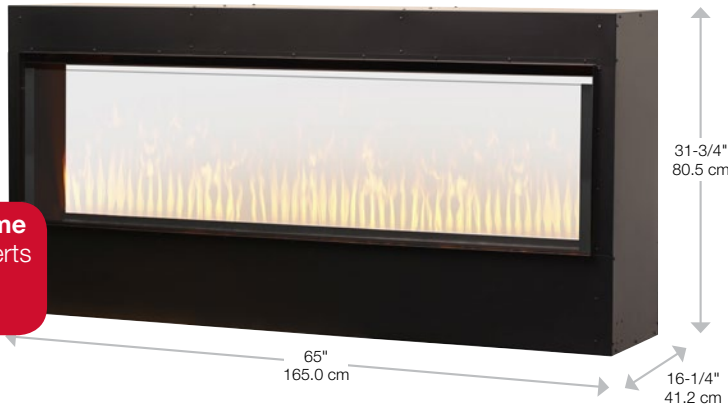
Easily turn fireplace design concepts into reality with the Opti-myst Pro 1500 Built-in Electric Firebox. Install as a single-sided unit, or remove the included backer panel and convert to a see-through design that opens the view between rooms. The discrete heater completes the functionality and ensures perfect comfort in addition to the dazzling Opti-myst flame and smoke effect.



## Opti-myst® Pro 1500 60" Built-in Electric Firebox

## GBF1500-PRO

Shown with backer panel removed, optional glass pane (GBF1500-GLASS), and included front glass kit (FG1500) installed.



**Customizable Flame**  
Shown with slot inserts for a contemporary ribbon of flame.



**Customizable Flame**  
Shown with spacer inserts for a more organic flame.

Optional Pro 1500 Log Kit (CDFILOG-KIT)



120 Volts | 1,460 Watts | 4,981 BTU

### Optional Media Kits



CDFI1500-BLKCRCK



CDFI1500-RVRCK



CDFI1500-DWSKIT

### Features

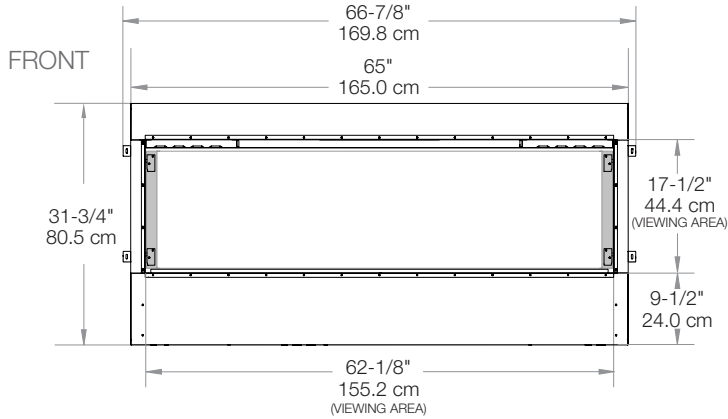
- Opti-myst® Flame Effect**  
Revolutionary ultrasonic technology produces a fine mist that creates the illusion of flames and smoke.
- Customizable Flame Width**  
Includes spacers and slots for customizable flame width and pattern.
- Single or Double-sided**  
Includes removable high-gloss backer panel for easy conversion.
- Adjustable Flame Intensity**  
Control the desired volume of flame.
- Supplemental Heat**  
Includes an effective fan-forced heater to warm up to 400 sq. ft.; heater heats one side, even with backer panel removed.
- Continuous Water Supply**  
Optional plumbed water supply kit (CDFIPLUMB-KIT) provides continuous operation without refilling water tanks.
- Media Options**  
Includes media tray that can be customized with media (not included). Optional inner glow logs also available.
- Crackling Sound Effects**  
Enjoy a more complete sensory experience with the sound of natural wood fire.
- Frame, Wire and Finish**  
Basic installation requires fewer tradespeople, no gas lines, venting or chimney.
- Zero Emissions**  
The most sustainable fireplace option; no emissions and 100% efficient.
- Energy Efficient**  
Uses low-energy LED lights for low-cost operation.
- Sight and Sound Remote**  
Control the flames, heater and sound at the touch of a button.

Model #	Description	Lbs/Kg	UPC	Wty.	Carton Dimensions (WxHxD)		Cube	
					inches	cm	Ft³	M³
Package consists of four cartons including (1) Pro 1500 Built-in Firebox, (1) Pro 1000 Cassette, (1) Pro 500 Cassette and (1) Front Glass Kit.								
CDFI-BX1500	Opti-myst® Pro 1500 Built-in Firebox	111.5 / 50.6	781052 133709	2 yr.	68-3/4 x 36-3/4 x 18-1/8	174.5 x 93.5 x 46.0	18.8	0.53
CDFI1000-PRO	Opti-myst® Pro 1000 Cassette	35 / 15.9	781052 112612	2 yr.	44-1/2 x 13-3/8 x 18-1/8	113.0 x 34.0 x 46.0	6.2	0.18
CDFI500-PRO	Opti-myst® Pro 500 Cassette	24.2 / 10.9	781052 113053	2 yr.	24-3/8 x 13-7/8 x 17-3/4	62.0 x 34.0 x 45.0	3.5	0.09
FG1500	Front Glass Kit		781052 133716	1 yr.	71-3/8 x 21-5/8 x 5-1/4	181.5 x 55.0 x 13.5	4.7	0.13
CDFILOG-KIT	Pro 1500 Log Kit (3 log sets)	28 / 12.7	781052 104754	1 yr.	23-1/2 x 17-3/4 x 22	60.0 x 45.1 x 55.9	5.3	0.15
CDFI1500-BLKCRCK	Black Rock Media	24.2 / 11	781052 121065	1 yr.	(3) 14 x 3-1/4 x 6-1/4	(3) 6.34 x 1.44 x 2.82	0.16	0.00
CDFI1500-RVRCK	River Rock Media	23 / 10.4	781052 121072	1 yr.	(3) 14 x 3-1/4 x 6-1/4	(3) 6.34 x 1.44 x 2.82	0.16	0.00
CDFI1500-DWSKIT	(1) Driftwood Media - 1000	1.76 / 0.79	781052 121027	1 yr.	25-1/8 x 5-3/8 x 5-5/8	62.7 x 13.7 x 14.3	0.43	0.01
	(1) Driftwood Media - 500	0.99 / 0.44	781052 121034	1 yr.	17-5/8 x 3-7/8 x 5-3/4	44.5 x 9.60 x 14.3	0.22	0.00
GBF1500-GLASS	Rear Glass Pane	20.9 / 9.5	781052 133723	1 yr.	71-3/8 x 5-1/4 x 22-3/8	181.5 x 13.5 x 57	4.9	0.13
CDFIPLUMB-KIT	Plumb Kit	0.7 / .32	781052 103221	1 yr.	15-1/2 x 3-1/2 x 6-1/2	39.4 x 8.9 x 16.5	0.2	0.01

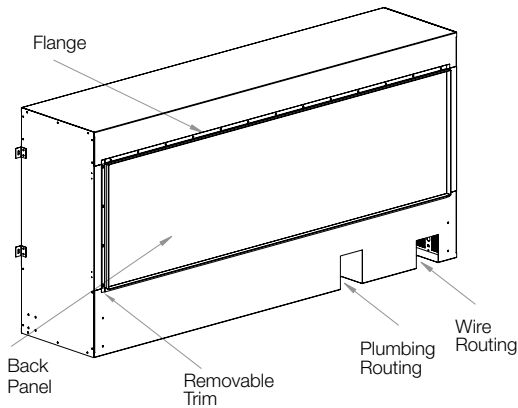
## Opti-myst® Pro 1500 60" Built-in Electric Firebox

GBF1500-PRO

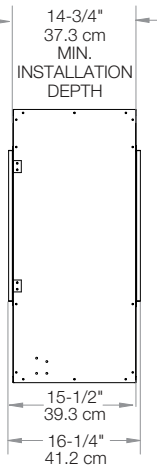
### Product Dimensions:



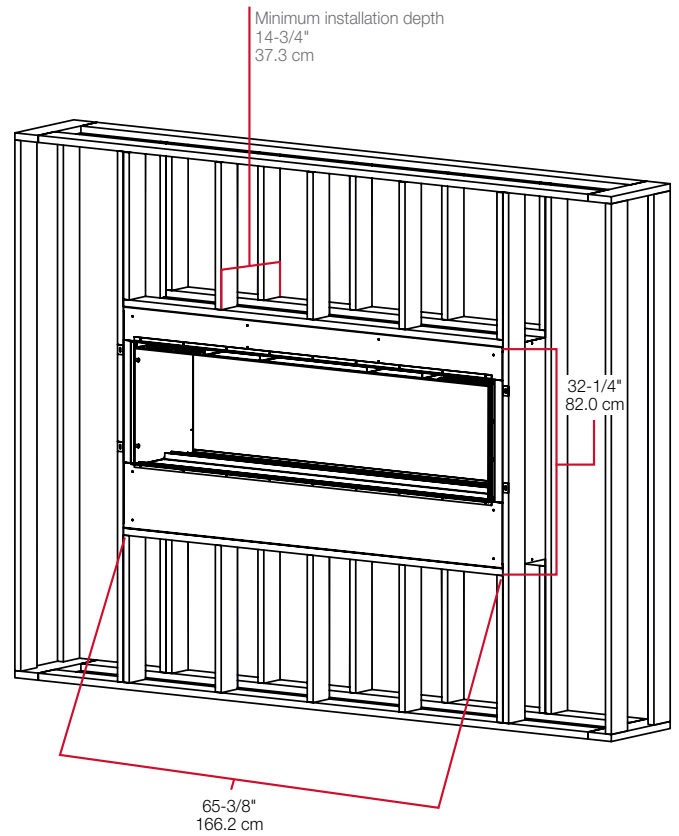
REAR



SIDE



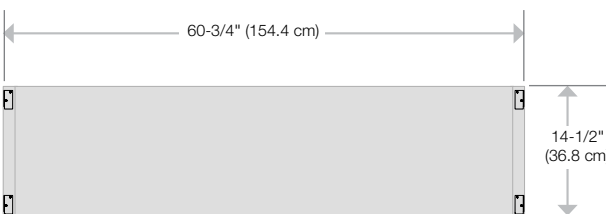
### Framing Dimensions:



#### Bluetooth Receiver

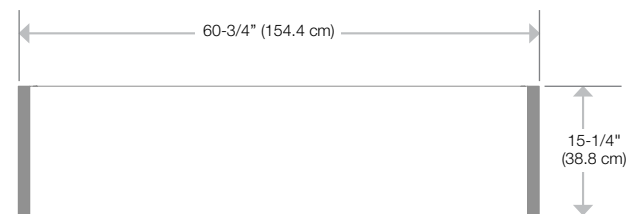
Must be connected for operation. Can be recessed inside the wall or installed for remote control accessibility.

#### FRONT GLASS KIT - FG1500



Depth with hinge - 1-5/8" (4.1 cm)

#### OPTIONAL REAR GLASS PANE - GBF1500-GLASS



Depth with hinge - 1-5/8" (4.1 cm)



Remote Control