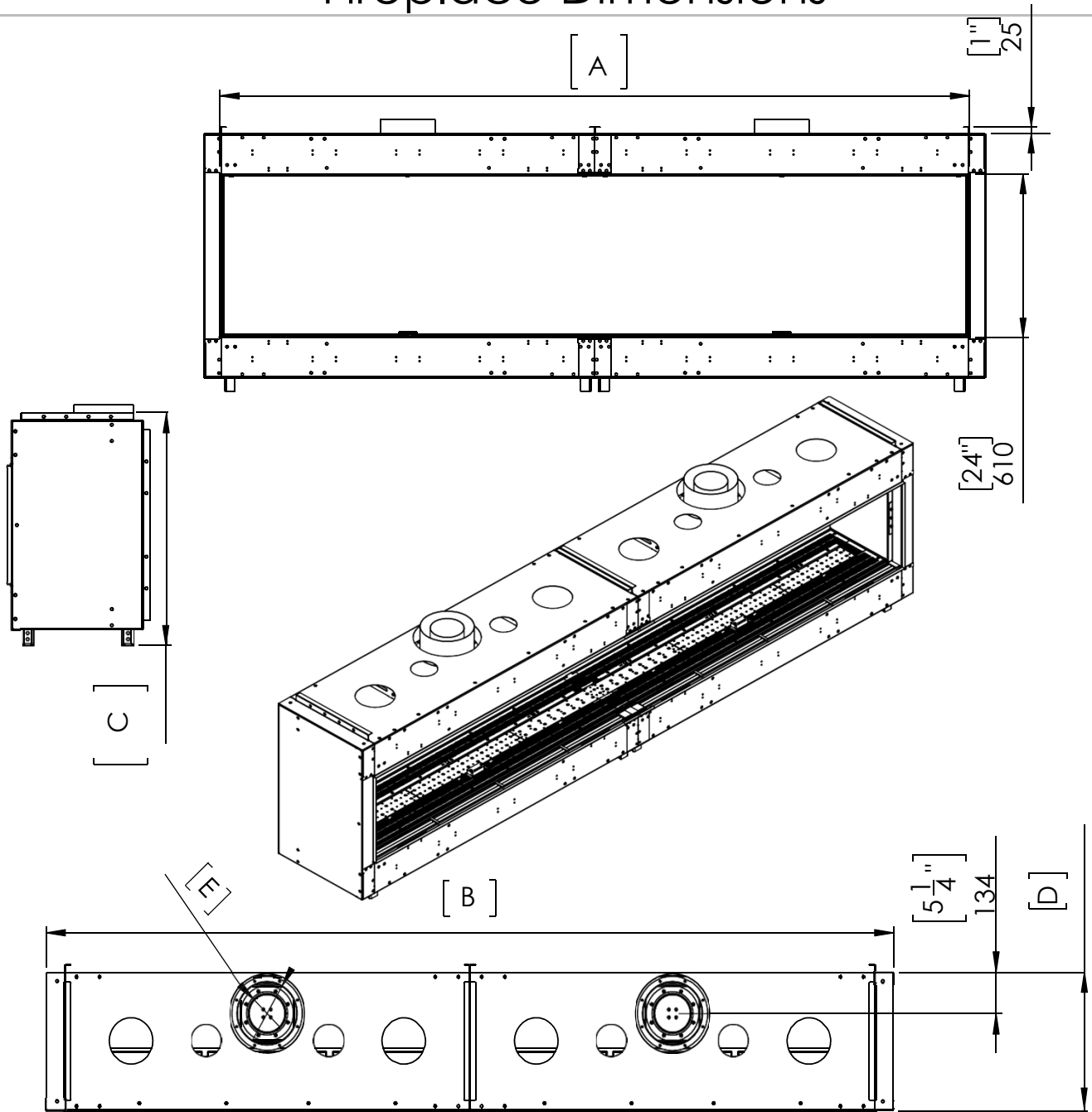




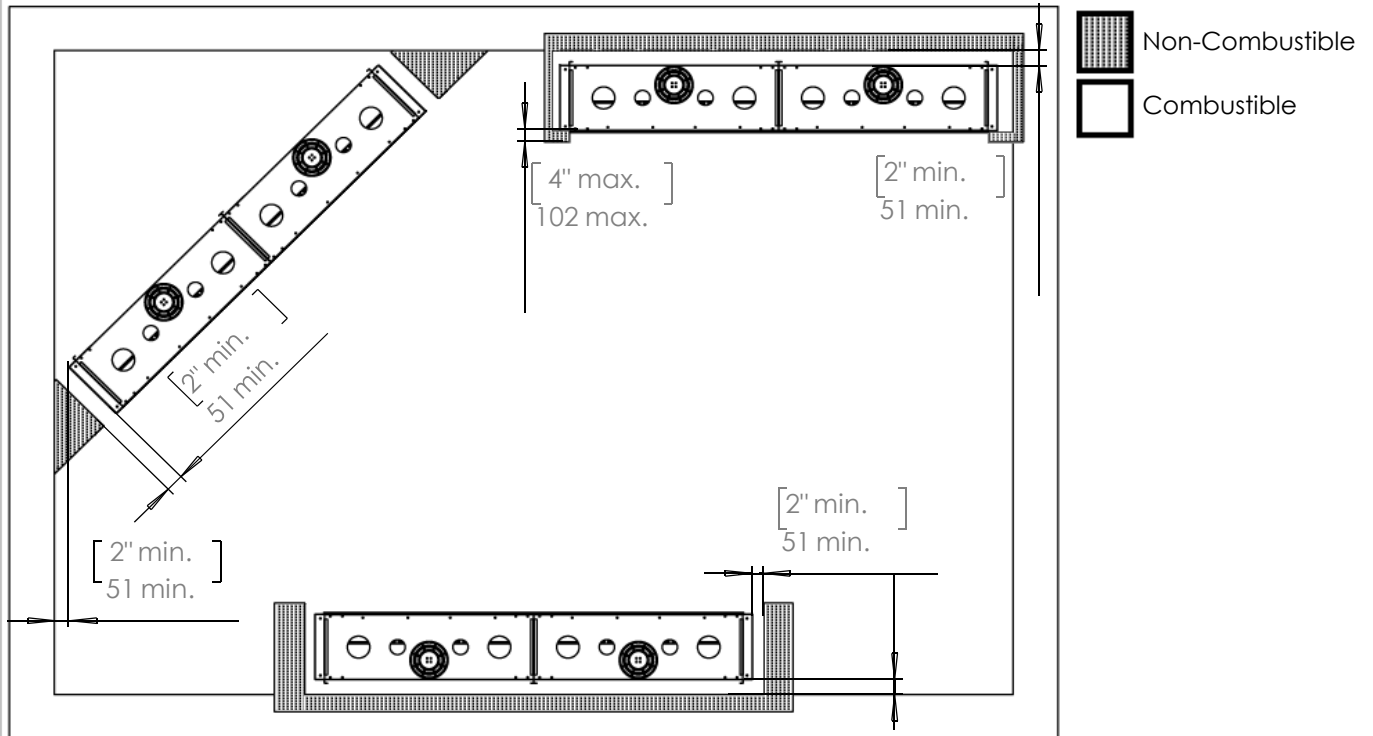
Flare Front Long Unit Metal Frame- High Glass

Fireplace Dimensions



Model	120	140	160	200
A- Inch	110 ⁵ / ₁₆	130	155 ⁵ / ₁₆	189 ¹ / ₁₆
B- Inch	115 ¹ / ₁₆	134 ¹² / ₁₆	159 ¹⁵ / ₁₆	193 ¹² / ₁₆
C- Inch	38 ¹⁵ / ₁₆	38 ¹⁵ / ₁₆	38 ¹⁵ / ₁₆	38 ¹⁵ / ₁₆
D- Inch	17 ⁹ / ₁₆	17 ⁹ / ₁₆	17 ⁹ / ₁₆	17 ⁹ / ₁₆
E- Inch	5x8	5x8	5x8	5x8

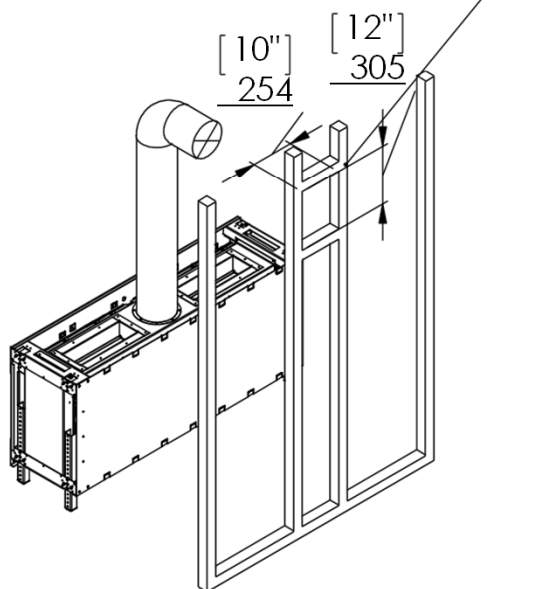
Clearances to Finishing Materials



Chimney Installation

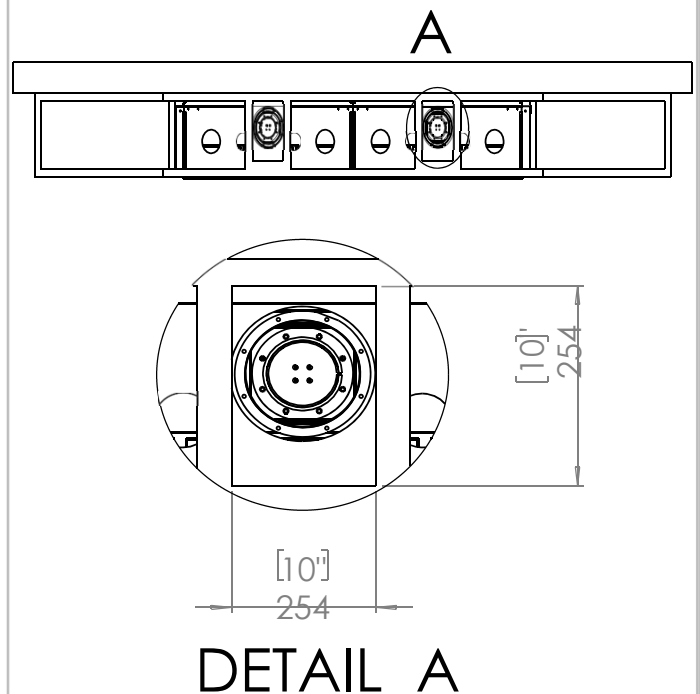
Horizontal Termination

For 5 x 8 vent size create 10" x 12" vent termination opening

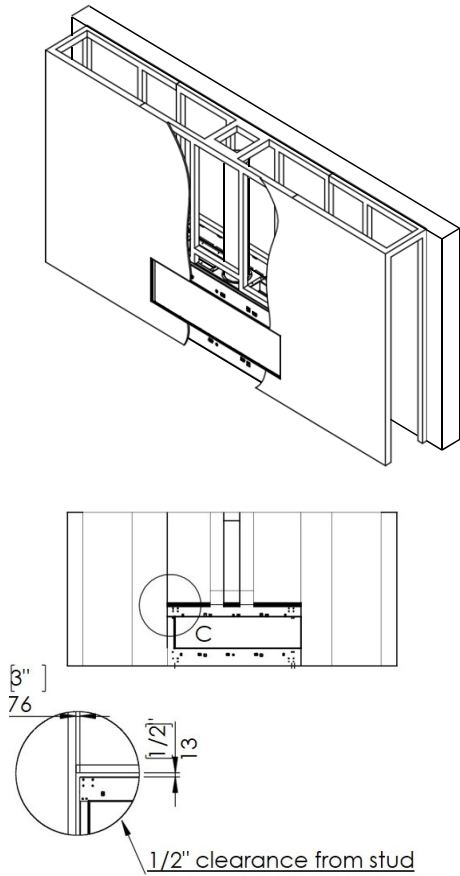


Vertical Termination

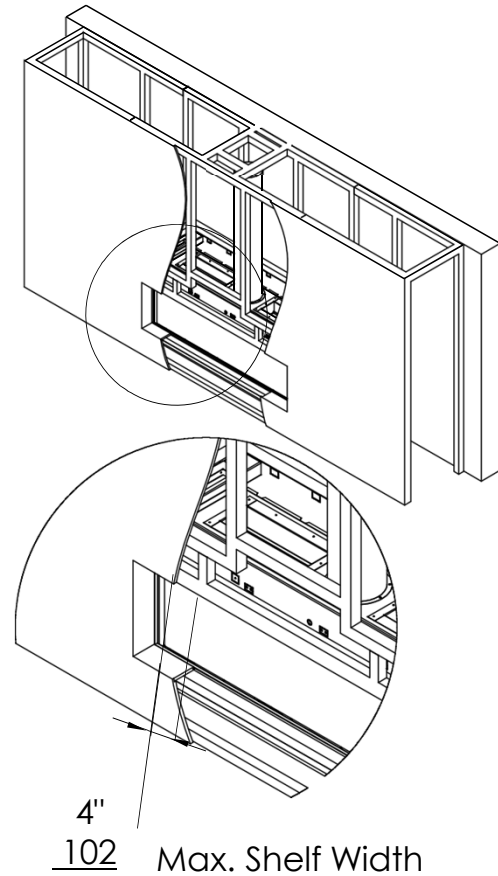
For 5 x 8 vent size, create 10" x 12" vent termination openings



Flat Installation Example



L Shape Installation Example



Heat Release and Air Intakes

The following sizes MUST be maintained for the upper heat release:

For fireplaces **160" & 200"** – open vent area must be at least **400 square inches**.

For fireplaces **120" & 140"** – open vent area must be at least **280 square inches**.

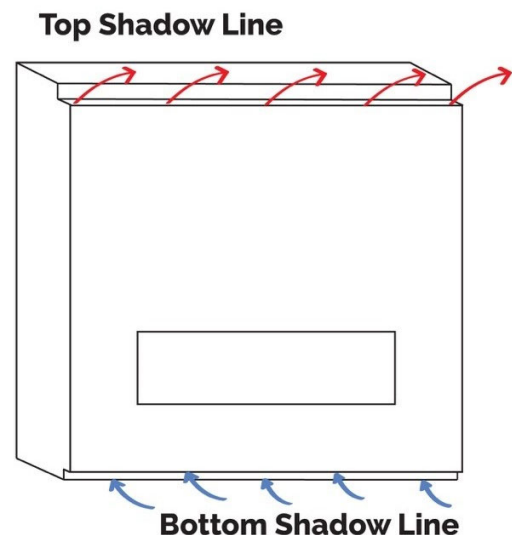
The following sizes MUST be maintained for the lower air intake:

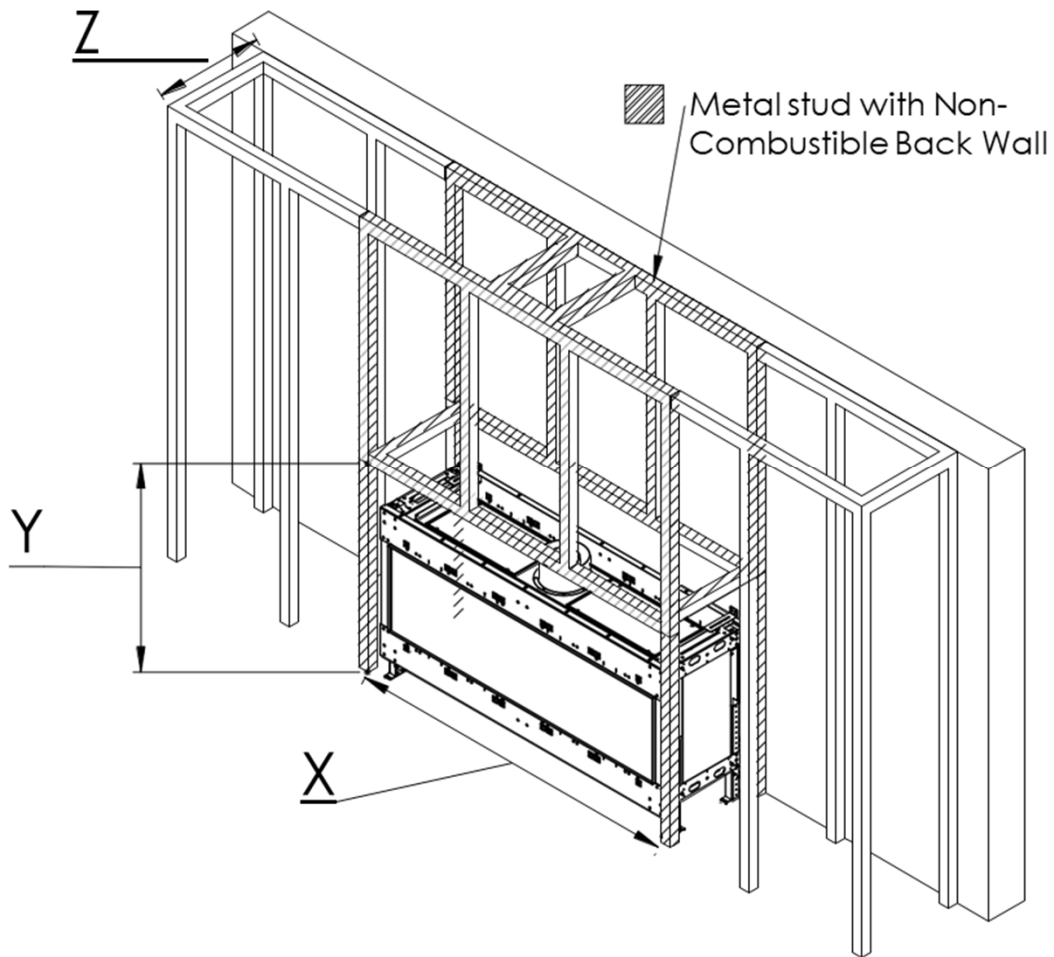
For fireplaces **160" & 200"** – open vent area must be at least **200 square inches**.

For fireplaces **120" & 140"** – open vent area must be at least **140 square inches**.

NOTE: Openings above for Heat Release and Air Intake are measured for open air space. **BE SURE TO CALCULATE FOR RESTRICTIONS IN GRATING.**

NOTE: For cooler operating wall temperature and Double Glass Safety Barrier, it is recommended to exceed the minimum requirements above.





NOTE: Dimension 'Y' uses fireplace at default lowest height with glass viewing window beginning 10" above the floor. Any higher viewing windows must have a platform created to raise fireplace off the floor and increase the value of 'Y' to accommodate any increase.

		X	Y	Z	
				Flat Installation	Recess Installation (4" Max)
120	Inch	116 ¹ / ₁₆	38 ⁷ / ₁₆	19 ⁹ / ₁₆	23 ⁹ / ₁₆
	mm	2913	976	497	598
140	Inch	135 ² / ₁₆	38 ⁷ / ₁₆	19 ⁹ / ₁₆	23 ⁹ / ₁₆
	mm	3448	976	497	598
160	Inch	160 ¹⁵ / ₁₆	38 ⁷ / ₁₆	19 ⁹ / ₁₆	23 ⁹ / ₁₆
	mm	4088	976	497	598
200	Inch	194 ² / ₁₆	38 ⁷ / ₁₆	19 ⁹ / ₁₆	23 ⁹ / ₁₆
	mm	4947	976	497	598