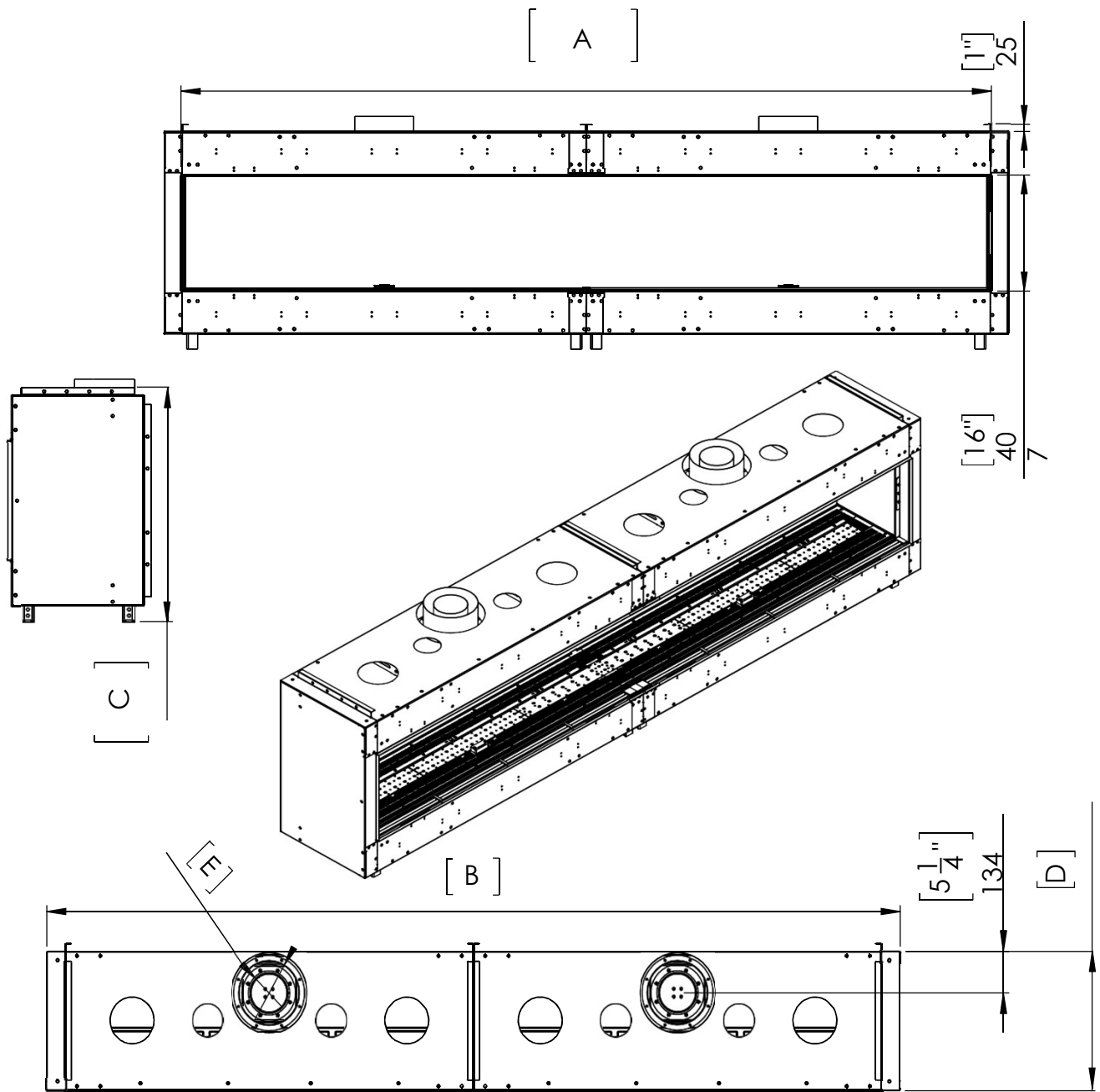
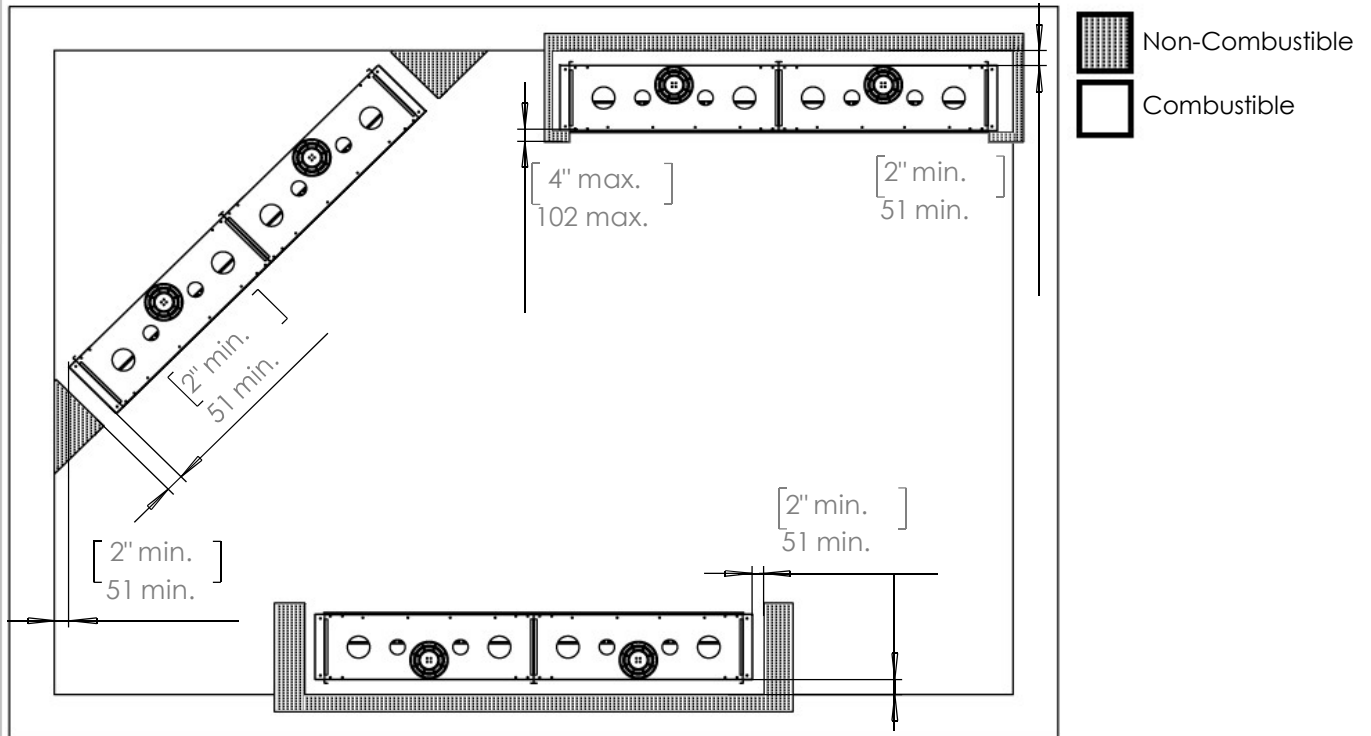


Fireplace Dimensions



Model	120	140	160	200
A- Inch	110 5/16	130	155 3/16	189 1/16
B- Inch	115 1/16	134 12/16	159 15/16	193 12/16
C- Inch	31 1/16	31 1/16	31 1/16	31 1/16
D- Inch	17 9/16	17 9/16	17 9/16	17 9/16
E- Inch	5x8	5x8	5x8	5x8

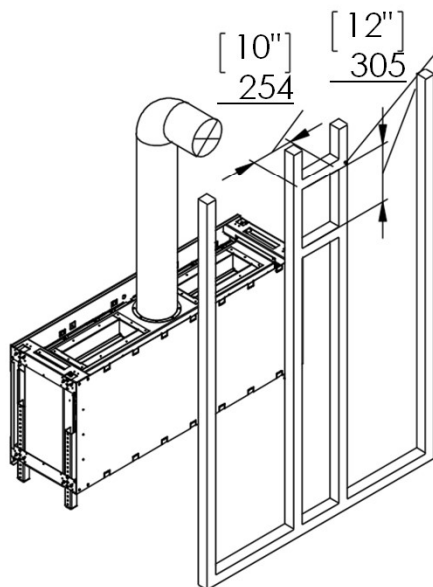
Clearances to Finishing Materials



Chimney Installation

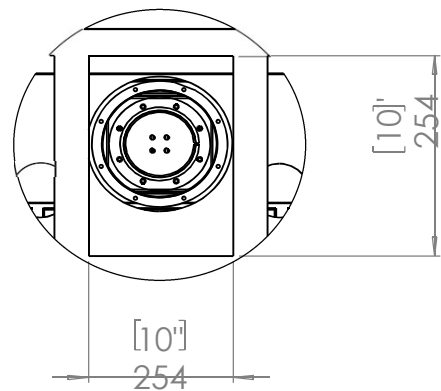
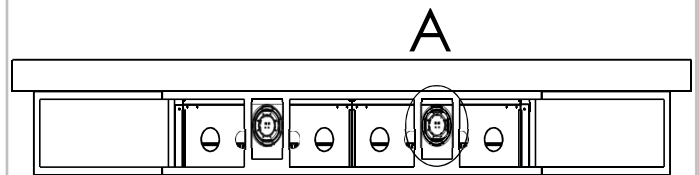
Horizontal Termination

For 5 x 8 vent size create 10" x 12" vent termination opening



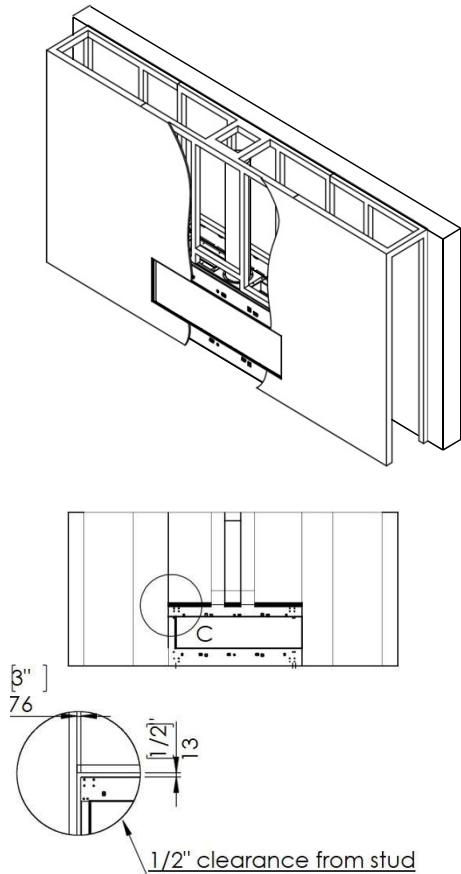
Vertical Termination

For 5 x 8 vent size, create 10" x 12" vent termination openings

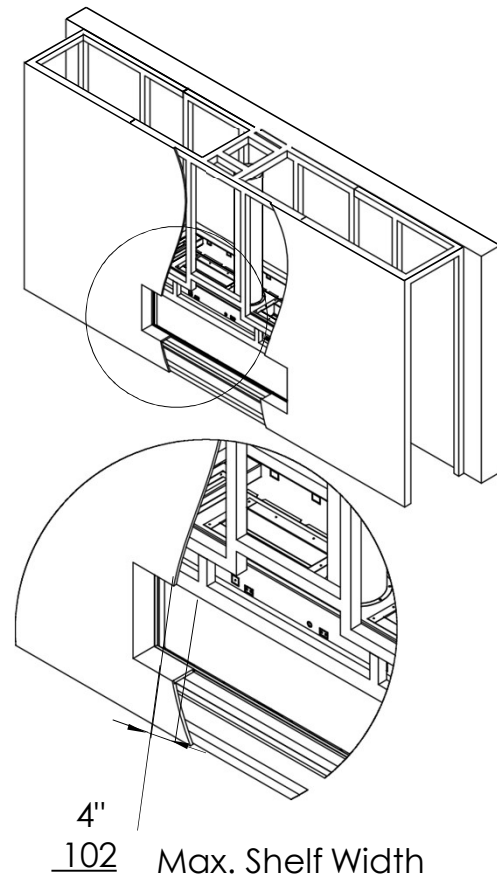


DETAIL A

Flat Installation Example



L Shape Installation Example



Heat Release and Air Intakes

The following sizes MUST be maintained for the upper heat release:

For fireplaces **160" & 200"** – open vent area must be at least **400 square inches**.

For fireplaces **120" & 140"** – open vent area must be at least **280 square inches**.

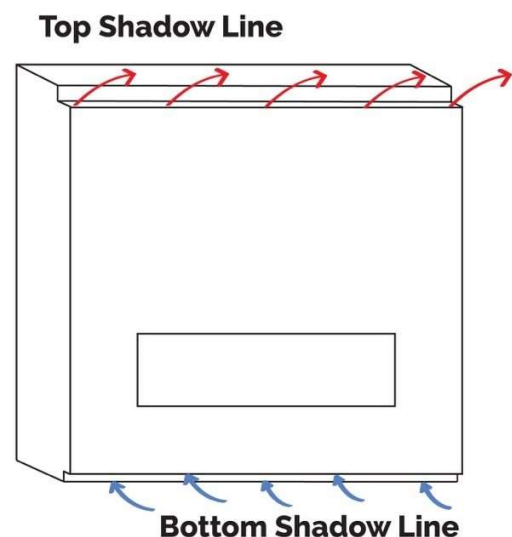
The following sizes MUST be maintained for the lower air intake:

For fireplaces **160" & 200"** – open vent area must be at least **200 square inches**.

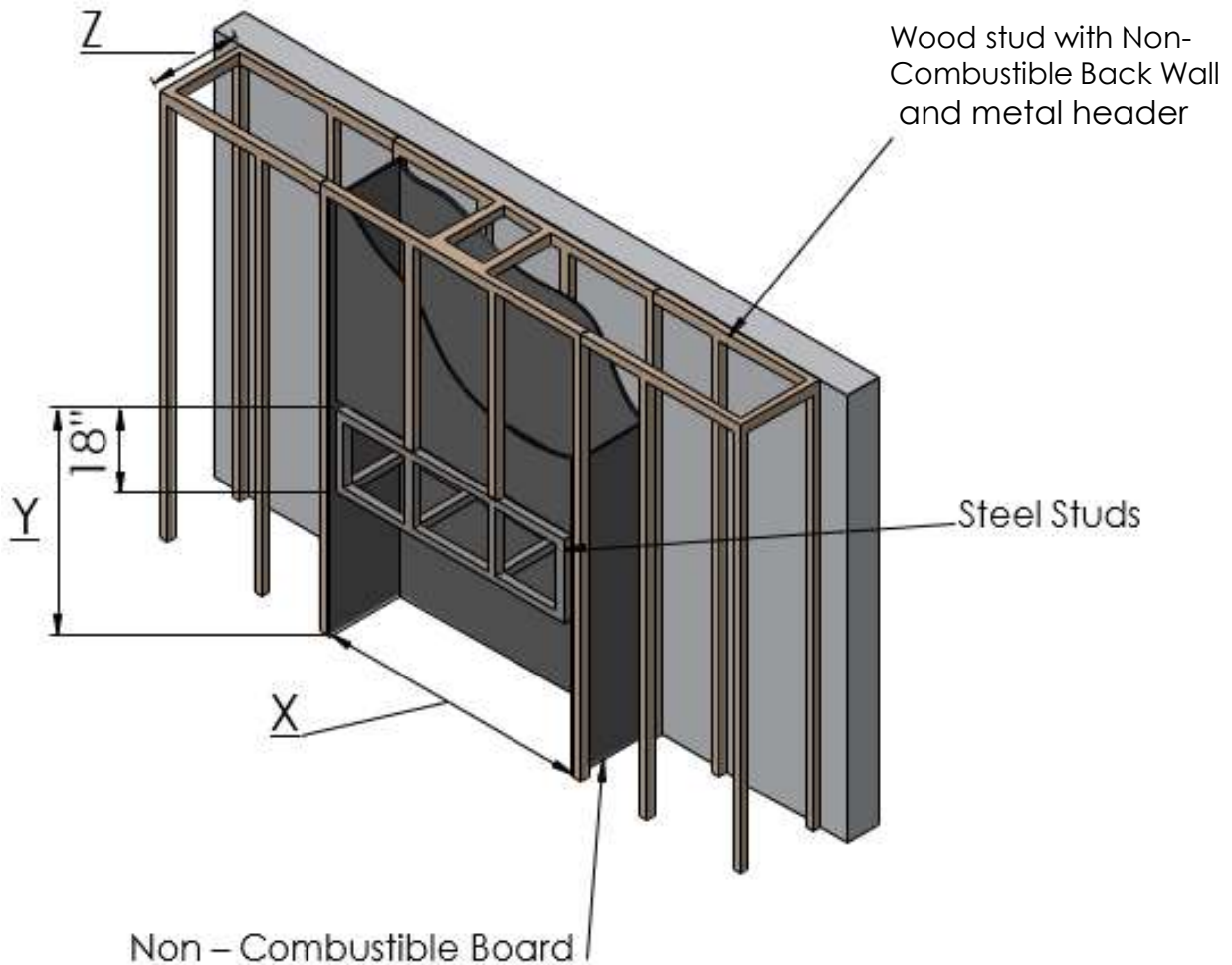
For fireplaces **120" & 140"** – open vent area must be at least **140 square inches**.

NOTE: Openings above for Heat Release and Air Intake are measured for open air space. **BE SURE TO CALCULATE FOR RESTRICTIONS IN GRATING.**

NOTE: For cooler operating wall temperature and Double Glass Safety Barrier, it is recommended to exceed the minimum requirements above.



Wood Framing Dimensions



NOTE: Dimension 'Y' uses fireplace at default lowest height with glass viewing window beginning 10" above the floor. Any higher viewing windows must have a platform created to raise fireplace off the floor and increase the value of 'Y' to accommodate any increase.

		X	Y	Z	
				Flat Installation	Recess Installation (4" Max)
120	Inch	121 ¹ / ₁₆	49 ¹⁰ / ₁₆	20 ⁹ / ₁₆	24 ⁹ / ₁₆
	mm	3039	1260	522	624
140	Inch	140 ¹² / ₁₆	49 ¹⁰ / ₁₆	20 ⁹ / ₁₆	24 ⁹ / ₁₆
	mm	3575	1260	522	624
160	Inch	165 ¹⁵ / ₁₆	49 ¹⁰ / ₁₆	20 ⁹ / ₁₆	24 ⁹ / ₁₆
	mm	4215	1260	522	624
200	Inch	199 ¹² / ₁₆	49 ¹⁰ / ₁₆	20 ⁹ / ₁₆	24 ⁹ / ₁₆
	mm	5074	1260	522	624