

**Jøtul GI 635 DV IPI
Newcastle**
Direct Vent Fireplace Insert

Installation and Operation Instructions



INSTALLER: Leave this manual with the appliance.
CONSUMER: Retain this manual for future reference.

WARNING:

FIRE OR EXPLOSION HAZARD. Failure to follow safety warnings exactly could result in serious injury, death, or property damage.

- Do not store or use gasoline or other flammable vapors and liquids in the vicinity of this or any other appliance.
- **WHAT TO DO IF YOU SMELL GAS**
 - Do not try to light any appliance.
 - Do not touch any electrical switch; do not use any phone in your building.
 - Immediately call your gas supplier from a neighbor's phone. Follow the gas supplier's instructions.
 - If you cannot reach your gas supplier, call the fire department.
- Installation and service must be performed by a qualified installer, service agency or the gas supplier.
- In the Commonwealth of Massachusetts, a carbon monoxide (CO) detector shall be installed in the same room as the appliance.

This appliance may be installed in an aftermarket, permanently located, manufactured home or mobile home, where not prohibited by local codes.

This appliance is only for use with the types of gas indicated on the rating plate. A conversion kit is supplied with the appliance.

DANGER



**HOT GLASS WILL
CAUSE BURNS.
DO NOT TOUCH GLASS
UNTIL COOLED.
NEVER ALLOW CHILDREN
TO TOUCH GLASS.**

A barrier designed to reduce the burn hazard from the glass viewing area is provided with this appliance and shall be installed for the protection of children and other at-risk individuals.

THIS OWNER'S MANUAL PROVIDES INFORMATION TO ENSURE SAFE INSTALLATION AND EFFICIENT, DEPENDABLE OPERATION OF YOUR FIREPLACE INSERT. PLEASE READ THESE INSTRUCTIONS IN THEIR ENTIRETY AND MAKE THEM AVAILABLE TO ANYONE USING OR SERVICING THIS GAS INSERT.

DO NOT ATTEMPT TO ALTER OR MODIFY THE CONSTRUCTION OF THIS APPLIANCE OR ITS COMPONENTS. ANY MODIFICATION OR ALTERATION WILL VOID THE WARRANTY, CERTIFICATION AND LISTING OF THIS APPLIANCE.

THIS HEATER MUST BE INSTALLED AND MAINTAINED BY A QUALIFIED SERVICE AGENCY.



PLEASE NOTE:

It is normal for smoke and odor to occur during the initial stages of operation, depending upon temperatures generated over time. This "curing" condition can be alleviated by promoting fresh air circulation within the immediate vicinity of the appliance.

IMPORTANT GLASS NOTE:

It is necessary to clean the inside of the glass panel after the first few fires. A white powdery residue will be evident which results from the burner media curing. Use a non-abrasive household glass cleaner or warm water. IF THE GLASS IS NOT CLEANED, THIS RESIDUE CAN CAUSE THE GLASS TO BECOME PERMANENTLY ETCHED. DO NOT USE AMMONIA-BASED CLEANERS.

Suggested Tools for Installation and Service

- External regulator (for Propane only)
- Piping which complies with local code
- Manual shut-off valve - T-Handle required in Massachusetts
- Sediment trap - if required by code
- Tee joint
- Pipe wrench
- Pipe sealant
- 10 mm open end wrench
- 1/2", 7/16" open end wrench
- Phillips head screwdriver
- Flat head screwdriver
- 1/4" nut driver
- Work Gloves
- Safety glasses
- Torx T-20 screwdriver
- Tin snips

Installation Requirements for the Commonwealth of Massachusetts

THIS PRODUCT MUST BE INSTALLED BY A LICENSED MASTER OR JOURNEYMAN PLUMBER OR GAS-FITTER WHEN INSTALLED IN THE COMMONWEALTH OF MASSACHUSETTS.

1. If there is not one already present, on each floor level where there are bedroom(s), a carbon monoxide detector and alarm shall be placed in the living area outside the bedroom(s). The carbon monoxide detector shall comply with NFPA 720 (2005 Edition).
2. A carbon monoxide detector shall:
 - a) Be located in the room that houses the appliance or equipment;
 - b) Be either hard-wired or battery powered or both; and
 - c) Shall comply with NFPA 720 (2005 Edition).
3. A Product-approved vent terminal must be used, and if applicable, a Product-approved air intake must be used. Installation shall be in strict compliance with the manufacturer's instructions. A copy of the installation instructions must remain with the appliance or equipment at the completion of the installation.

NATIONAL FIREPLACE INSTITUTE



CERTIFIED
www.nficertified.org

We recommend that our gas products be installed and serviced by professionals who are certified in the U.S. by the National Fireplace Institute® (NFI) as NFI Gas Specialists.

Canada

ENERGUIDE

Gas Fireplace Energy Efficiency Rating

66.44%	67.85%
Natural Gas	Propane

Based on CSA P.4.1-02

Model No. Jøtul GI 635 DV IPI



Table of Contents

Installation & Service Tools	2
Unpacking the Fireplace	3
Specifications	4
General Information	5
Safety Information	6
Installation	7
Fireplace Requirements	8
Hearth Protection	8
Clearances	9
Vent Guidelines.....	10
Masonry Fireplaces	11
Factory-built Fireplaces.....	12
Vent Connection	13
Fireplace Assembly	14
Gas Connection.....	14
Gas Pressure Test.....	14
Fuel Conversion.....	16
High Altitude Adjustment.....	18
Final Positioning	19
Brick Panel Kits.....	19
Reflective Glass Panel Kit	20
Log Set Installation	21
Backer Plate Installation.....	25
Trimmable Backer Plate Installation.....	25
Hidden Hanger Bracket Kit	26
Front Cast Iron Overlay	26
Operation	27
Initial System Check.....	27
Fireplace Operation	29
Remote Control Functions.....	30
Maintenance	34
General and Annual Cleaning	34
Accent Lamp Bulb Replacement	34
Battery Replacement	34
Glass Care and Replacement	35
Illustrated Part Breakdowns	36
Appendix	41
Approved Vent Manufacturers.....	41
Burner Re-installation	41
Wiring Diagram	42
Warranty Statement	43
Lighting Instructions	47

Unpacking the Fireplace Insert

1. Thoroughly inspect the appliance for shipping damage and immediately contact the dealer if any is found.
2. A Miscellaneous Hardware Kit is packed within the firebox crate with this manual. Confirm these contents:
 - Fuel Conversion Kit, LP
 - Fireplace Conversion Notice Plate
 - Rock Wool
 - Remote Transmitter
 - Transmitter Wall Bracket
 - Four, 1.5v AA IFC Back-up Batteries
 - Three, 1.5v AAA Remote Transmitter Batteries
 - Safety Screen Barrier Guidelines
3. Detach the firebox from the pallet with removal of the attachment bracket screws at each side of the firebox base.
4. Remove the Latch Tool from the shipping pallet. Use it to disengage the two spring latches from the glass frame as shown in fig. 1. Engage the tool prong with the latch receiver hole and pull the latch hook forward and up to detach it from the glass frame slot. Pivot the top of the frame forward to disengage it from the bottom corners of the firebox. Set the glass frame out of the way.
5. The Log Set is inside the firebox. Remove and set it out of the way until you are ready to install it.
6. **PRE-INSTALLATION FIT UP:** Leveling bolts are located at each corner of the firebox base to allow a maximum 1/2" adjustment to correct hearth irregularities. **Before assembly**, locate the firebox in its final position within the fireplace and adjust the leveling bolts as necessary to level and plumb the unit. Front bolts are accessible in each side compartment through the fireplace front. Tip the firebox forward to adjust the rear bolts out of the base.

Pull the unit back out of the fireplace and read the installation requirements in this manual before proceeding with assembly and installation.
7. The remote control IFC and hand-held Transmitter have been synchronized at the factory before the batteries are removed for shipping. See page 27 for complete installation instructions.

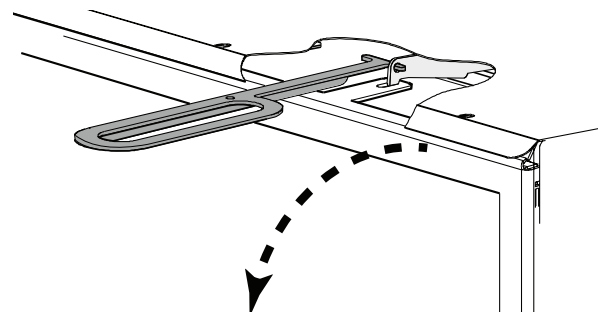


Figure 1. Pull each Spring Latch out and down to disengage it from the Glass Frame.



Jøtul GI 635 DV IPI Newcastle Direct Vent Gas Fireplace Insert

Manufactured and Distributed by:
Jøtul North America
Gorham, Maine USA

Jøtul AS
Fredrikstad, Norway



Test Standards

This appliance complies with National Safety standards and is tested and listed by Intertek Testing Services NA Inc. of Middleton, Wisconsin.

In addition, the Jøtul GI 635 DV IPI gas fireplace insert has been tested and listed as a direct vent gas fireplace heater and listed to ANSI z21.88-2014 • CSA 2.33-2014 “Standard for Vented Gas Fireplace Heaters”, CAN/CSA 2.17-M91 “Standard for Gas-Fired Appliances for use at High Altitudes”, and CSA P.4.-01.2 “Standard for Measuring Annual Fireplace Efficiency”.

Specifications

Input Rates:

Natural Gas

40,000 BTU/hr. maximum input
10,000 BTU/hr. minimum input

Propane

40,000 BTU/hr. maximum input
8,700 BTU/hr. minimum input

Inlet Pressure:	MIN.	MAX.
Natural Gas:	4.0 WC (1.00 kPa)	7.0 WC (1.74 kPa)
Propane:	12.0 WC (3.00 kPa)	14.0 WC (3.48 kPa)

Manifold Pressure:	MIN	MAX.
Natural Gas:	1.10 WC (0.27 kPa)	3.8 WC (0.95 kPa)
Propane:	2.9 WC (0.72 kPa)	11.0 WC (2.74 kPa)

Orifice Sizes:

Altitude:	NG	LP
0 - 2000 ft. (0-610 m)		
Front Burner, Left:	2.25 mm	1.40 mm
Rear Burner, Right:	#47	1.20 mm
Altitude: 2000 - 4500 ft. (610-1370 m)		
Front Burner, Left:	2.20 mm	1.35 mm
Rear Burner, Right:	1.95 mm	1.15 mm

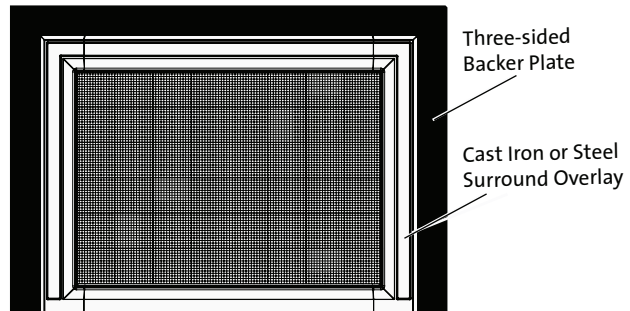
	NG	LP
Steady State Efficiency:	70.38%	72.28%
A.F.U.E. Efficiency:	69.3%	71.9%
CSA P4.1-02 Fireplace Efficiency:	66.44%	67.85%
Electronic Ignition (IPI) or Continuous Pilot (CPI)		

Accessories

- Traditional Red Brick Panel Kit..... #157686
 - Brownstone Brick Panel Kit..... #157798
 - Reflective Glass Panel Kit #157803
 - Cast Iron Surround Overlay, Matte Black #157725
 - Cast Iron Surround Overlay, Brown Majolica Enamel #157726
 - Steel Surround Overlay, Black Power Coat #157925
 - Steel Surround Overlay, Bronze Powder Coat \$157926
 - Steel Surround Overlay, Jøtul Iron Powder Coat #157927
 - Fuel Conversion Kit - NG to LP (included) #157821
 - Fuel Conversion Kit - LP to NG..... #157822
 - High Altitude Adjustment Kit - LP..... #157823
 - High Altitude Adjustment Kit- NG..... #157824
 - Hidden Hanger Bracket Kit #157802
- Required if no Backer Plate is needed*

Backer Plate Options

All Backer Plates include Hanger Brackets for the Surround Overlay

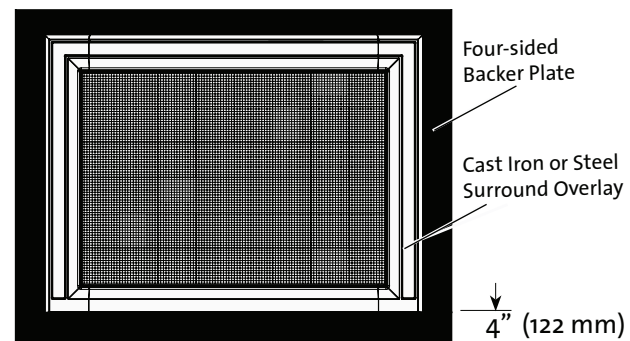


Three-sided Backer Plate

- 40" W x 28 1/4" H #157799
- 42" W x 31" H #157800
- 46" W x 34" H #157801

Three-sided Trimmable Backer Plate

- 47 3/4" W x 38" H #157826



Four-sided Trimmable Backer Plate

- 47 3/4" W x 38.63" H #157827

General Information

THIS HEATER MUST BE INSTALLED AND MAINTAINED BY A QUALIFIED SERVICE AGENCY. DO NOT ATTEMPT TO ALTER OR MODIFY THE CONSTRUCTION OF THIS APPLIANCE OR ITS COMPONENTS. ANY MODIFICATION OR ALTERATION WILL VOID THE WARRANTY, CERTIFICATION AND LISTING OF THIS APPLIANCE.

IMPORTANT: SAVE THESE INSTRUCTIONS.

1. The installation and repair of this appliance must be done by a qualified service person. Failure to properly install and maintain this heater could result in an unsafe or hazardous installation, which may result in a fire, explosion, property damage, personal injury or loss of life.
2. This appliance should be inspected before use and at least annually. More frequent cleaning may be required due to excessive lint from carpeting, bedding material, pet hair, dander, etc. It is imperative that control compartments, burners and circulating air passageways of the appliance be kept clean.
3. This appliance may be installed in an aftermarket permanently located, manufactured (mobile) home, where not prohibited by local codes. This appliance is only for use with the type(s) of gas indicated on the rating plate. This appliance is not convertible for use with other gases, unless a certified kit is used.
4. The installation must conform to local codes. Your local Jøtul authorized dealer can assist you in determining what is required in your area for a safe and legal installation. Some areas require a permit to install a gas burning appliance. Always consult your local building inspector or authority having jurisdiction to determine what regulations apply in your area.

In the absence of local codes, the installation requirements must comply with the current National codes. In the U.S., these requirements are established in the National Fuel Code, ANSI-Z223.1.(NFPA 54). In Canada, the codes have been established in CAN/CGA B149 Fuel Installation Code.

5. Do not operate this fireplace if any part of it has been under water. Immediately call a qualified service technician to inspect the heater and to replace any part of the control system and any gas control which has been under water.

6. Do not operate the fireplace with the glass front removed, cracked, scratched, or broken. Replacement of the glass should be done by a licensed or qualified service person. Only remove glass for routine service. Always handle glass carefully.
7. Notify your insurance company before proceeding with installation of this fireplace.

Your fireplace insert has a unique serial number stamped on the rating plate which is located in the right side compartment. Please record the serial number in the space below. You may also wish to attach your purchase receipt to this page for future reference.

MODEL NAME: Jøtul GI 635 DV IPI Gas Fireplace Insert

SERIAL NUMBER: _____

DATE OF PURCHASE: _____

AUTHORIZED DEALER: _____

ADDRESS _____

PHONE: _____

INSTALLER: _____

FUEL TYPE: _____

FUEL CONVERSION: NO _____ YES _____

NOTES: _____

Safety Information

- Due to the high operating temperatures this appliance should be located out of traffic and away from furniture, draperies, etc. Maintain proper clearance to combustible mantels and fireplace trim.
- Children and adults should be alerted to the hazards of high surface temperatures and should stay away to avoid burns or clothing ignition.
- Young children should be supervised while they are in the same room as the appliance. Toddlers, young children and others may be susceptible to accidental contact burns. A physical barrier, such as a child guard, is recommended to be used if there are at-risk individuals in the house. To restrict access to a fireplace or stove, install an adjustable safety gate to keep toddlers, young children and other at-risk individuals out of the room and away from hot surfaces.
- A safety barrier is provided with this appliance designed to reduce the risk of burns from the hot viewing glass and shall be installed for the protection of children and other at-risk individuals.
- If the barrier becomes damaged, the barrier shall be replaced only with the Jøtul barrier part number 225672.
- Any safety screen, glass panel, guard, or barrier removed for servicing an appliance must be replaced prior to operating the appliance.
- Clothing or other flammable materials should not be placed on or near the fireplace.
- Never allow anyone to use the fireplace if they are unfamiliar with its operation.
- NEVER store or use gasoline or any other flammable vapors or liquids in the vicinity of the fireplace.
- Never burn any solid materials (wood, cardboard, paper, coal, etc.) in this gas fireplace. Use with natural gas or propane fuel ONLY.
- Do not slam or strike the glass panel.
- This appliance is NOT for use with aftermarket glass doors. This appliance is approved for use only with the surround panel options listed on page 4 of this manual.
- Wear gloves and safety glasses while installing or performing maintenance procedures on this appliance.
- This fireplace insert is specifically designed for use with 3" Type B vent pipe components or Listed flexible gas liners.



Electrical Hazards

- Be aware of electrical wiring locations when cutting holes in walls and ceilings for termination.
- The blower must be electrically grounded in accordance with local codes or, in the absence of local codes, with the current ANSI/NFPA 70, National Electrical Code or CSA C22.1-Canadian Electrical Code.
- The Blower is supplied with a three-prong (grounding) plug for protection against shock hazard and should be plugged directly into a properly grounded three-prong receptacle. **DO NOT CUT OR REMOVE THE GROUNDING PRONG FROM THE PLUG.**
- Always disconnect the power supply when performing any service on the fireplace, including battery replacement.

Power Requirement

This appliance requires 120 VAC power to operate the blowers, accent lamps, and electronic ignition.

Four, AA batteries provide back-up power to operate the burner in case of a power outage. The Blowers and Accent Lamp will not function with loss of power.

Leg Leveling Note:

This appliance is equipped with four leveling bolts; the front two are adjusted from inside the firebox, and the rear bolts are adjusted by tipping the firebox and unscrewing them from the base.

Also note that use of the leveling bolts may affect required minimum clearance to combustible top trim and mantle construction. See the figures and tables on pages 8 and 9.

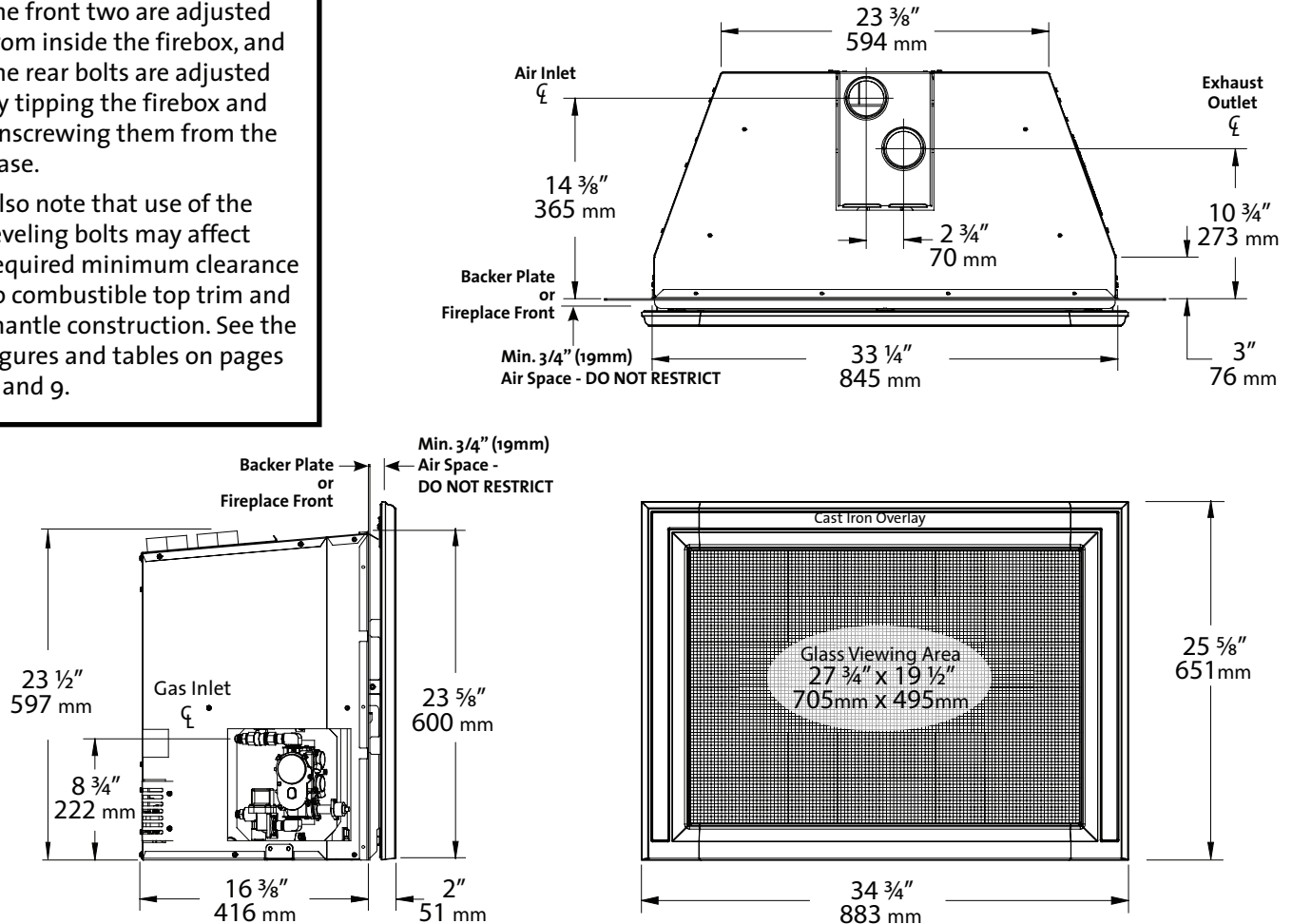


Figure 2. Firebox dimensions.

Installation Requirements

This insert can be installed in most solid fuel burning fireplaces of either masonry construction or a prefabricated factory built fireplace.

Prior to any installation, the existing chimney flue must be thoroughly cleaned and given a NFPA 211, Level II inspection by a qualified chimney sweep or fireplace service person.

Do not install this appliance into a chimney that is damaged or contains combustible construction materials. Any repairs must be made prior to installing the insert. The chimney and fireplace must be in good working order. Chimney cleanouts must be accessible and fit properly. If you are unsure of the condition of your fireplace and chimney, contact a professional fireplace technician or your local authorized Jøtul dealer for professional assistance.

DO NOT REMOVE BRICKS OR MORTAR FROM THE FIREPLACE OR CHIMNEY STRUCTURE. However, masonry or steel may be removed from the smoke shelf and adjacent damper frame area to accommodate installation of a chimney liner, provided that their removal will not weaken the structure of the fireplace or chimney, and will not reduce protection for combustible materials.

If the fireplace has been modified to accommodate installation, use anchors or masonry nails to attach the metal Fireplace Conversion Notice Plate to the back wall of the masonry fireplace firebox where it will be readily seen should the insert be removed.

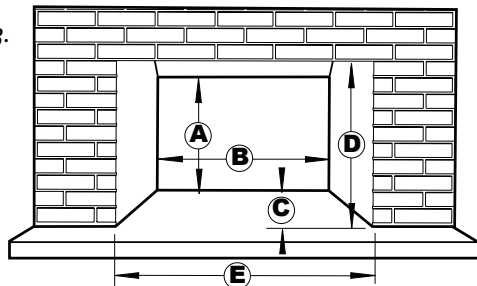
THIS APPLIANCE MUST NOT BE CONNECTED TO A CHIMNEY OR FLUE SERVING ANY OTHER APPLIANCE OF ANY KIND. All venting components must be installed in accordance with the terms of their listing and manufacturer's instructions. Refer to the pipe manufacturer's instructions for proper pipe clearances.

Minimum Fireplace Requirements

This appliance is approved for installation into a solid fuel-burning, factory-built fireplace, or a code-approved, solid fuel-burning masonry fireplace with a tile flue liner. An acceptable fireplace cavity must have the minimum dimensions specified in fig. 3.

Do not modify or alter the construction of the gas insert or any of its components to enable it to fit into a fireplace. Any modification of the insert will void the warranty, certifications and approvals of the unit and could be dangerous.

Figure 3.



Minimum Fireplace Dimensions

- A - Inside Height = 24" (61 cm)
- B - Inside Width = 23 1/2" (59.7 cm)(at 16 1/2" of depth)
- C - Inside Depth = 16 1/2" (42 cm)
- D - Opening Height = 24" (61 cm)
- E - Opening Width = 33 3/4" (85.7 cm)

Maximum Fireplace Opening

Cast Iron Overlay:

Will cover a maximum fireplace opening 25 3/8" high x 34 1/2" wide.

NOTE: If a Backer Plate will not be used, Backerless Overlay Hanger Kit 157802 must be installed on the insert firebox in order to attach the Overlay assembly.

Backer Plate Options

The Backer Plate functions to neatly cover the fireplace opening between the insert shell and the fireplace walls.

Standard Backer Plates are fabricated of 12 gauge, aluminized steel, finished in high-temperature Matte Black powder coating.

Trimmable Backer Plates are fabricated of 22 ga. aluminized steel finished in Matte Black paint.

Choose an overall size that is at least 1 inch larger than your fireplace opening.

- 157799 3-Sided Backer Plate - 28 1/4" H x 40" W
- 157800 3-Sided Backer Plate - 31" H x 42" W
- 157801 3-Sided Backer Plate - 34" H x 46" W
- 157826 3-Sided Trimmable Backer Plate - 38" H x 47 3/4" W
- 157827 4-Sided Trimmable Backer Plate - 38.63" H x 47 3/4" W

Intended for flush-faced fireplace installations.

Clearance Requirements

The following clearances and hearth specifications are the minimum requirements for installing this appliance into a solid fuel-burning fireplace. See figs. 4 - 6.

A combustible surface is anything that can burn (i.e. sheet rock, wallpaper, wood, fabrics etc.). These surfaces are not limited to those that are visible and also include materials that are behind non-combustibles.

If you are not sure of the combustible nature of a material, consult your local fire officials. Remember, "Fire Resistant" materials are considered combustible; they are difficult to ignite, but will burn. Also, "fire-rated" sheet rock is considered combustible.

Always maintain the proper clearances to allow for the flow of ventilation air around the insert.

Hearth Requirements

Hearth protection in front of the GI 635 DV IPI must be composed of masonry material extending at least 4 1/8" (10.5 cm) to each side of the fireplace opening and 12" (30.5 cm) forward from the fireplace facing material.

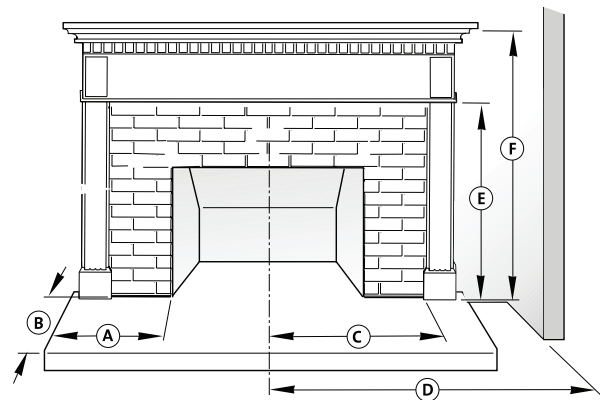


Figure 4. Hearth, Trim and Wall clearances.

A: Hearth Protection Width:

- Unit flush or raised: Min. 4 1/8" (10.5 cm) from fireplace opening

B: Hearth Protection Depth:

- Unit flush with hearth: 12" (30.5 cm)
- Unit raised minimum 6" off floor: 0"

C: Side Trim Clearance:

- Up to 6" (15.2 cm) depth, from fireplace center line: 21" (53.3 cm)

D: Side Room Wall Clearance:

- From the fireplace center line: 24" (61 cm)

E: Top Trim Clearance from hearth: 37" (94 cm)

F: Mantel Clearance from hearth: See fig. 6.

NOTE - Raised Hearth: Forward hearth protection may be reduced by two inches (5.08 cm) for every inch of fireplace floor elevation. Fig. 5.

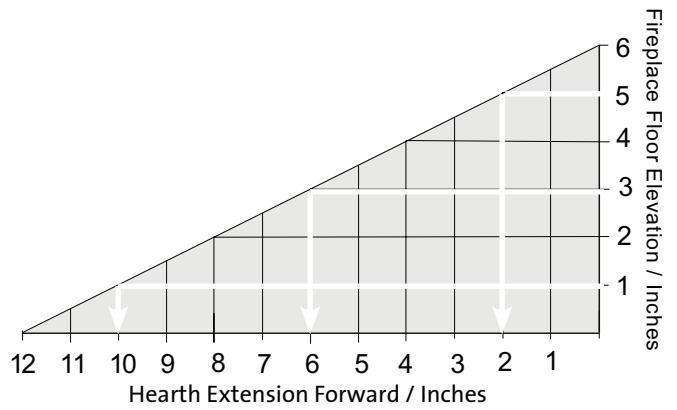


Figure 5. Hearth reduction slope.

Mantel and Ceiling Clearances

Measure clearances from the finished floor of the fireplace opening. See fig. 6.

	Floor to Mantel	Mantel Projection
A:	41" (104 cm)	12" (30.5 cm)
B:	40" (102 cm)	10" (25.4 cm)
C:	39" (99 cm)	8" (20.3 cm)
D:	38" (97 cm)	6" (15.2 cm)
E:	37" (94 cm)	4" (10.2 cm)

Minimum Ceiling Height from fireplace floor:
55 1/4" (140.3 cm)

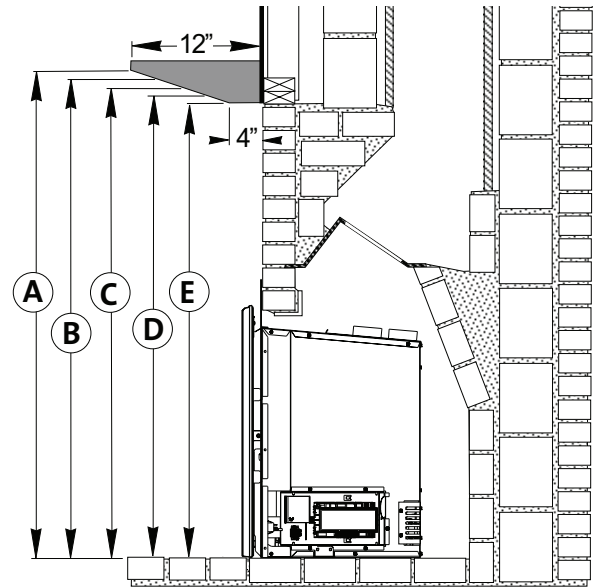


Figure 6. Baseline Mantel and Trim clearance requirements.

NOTE: For raised hearths, add the fireplace elevation to the baseline clearance data specified above.

Vent Guidelines

- All vent components must be installed in accordance with the terms of their listing and manufacturer’s instructions. See the Appendix on page 44 for a listing of approved vent manufacturers.
- The minimum height of termination cap from the top of the unit shall be no less than 10 ft.(3.05 m), and the maximum height shall be no more than 35 ft. (10.67 m). See figures 7 and 8.
- Steep roofs, nearby trees, or predominantly windy conditions can promote weak draft or occasional downdrafts. In such cases, increasing the height of the vent or installation of high wind termination caps may alleviate the condition.
- HORIZONTAL RUNS are not permitted anywhere in the venting system.
- Venting liners CANNOT be less than 3” in diameter, nor greater than 3” in diameter.
- Any unused flue or masonry enclosure can be used as a passageway for venting PROVIDED the flue is relined using 3” Listed Flexible Gas Liner.
- The remaining space around the liner in a masonry or factory-built flue CANNOT be used to vent any other appliance.
- Listed Flexible Gas Liners may not be exposed to any living space.
- Installation of any components not manufactured or approved by Jøtul or failure to meet all clearance requirements will void all warranties and could result in property damage, bodily injury, or loss of life.
- Never modify any venting component, or use any damaged venting product.
- THE GAS APPLIANCE AND VENT SYSTEM MUST BE VENTED DIRECTLY TO THE OUTSIDE OF THE BUILDING, AND NEVER ATTACHED TO A CHIMNEY SERVING A SOLID FUEL OR GAS BURNING APPLIANCE.
- The minimum vent height above the roof or adjacent walls is specified by building codes. A general guide to follow is the Gas Vent Rule below.

GAS VENT RULE	
ROOF SLOPE	Minimum Height From Roof
Flat to 6/12	1’0” 0.3M
Over 7/12 to 9/12	2’0” 0.6M
Over 10/12 to 12/12	4’0” 1.2M
Over 13/12 to 16/12	6’0” 1.8M
Over 17/12 to 21/12	8’0” 2.4M

Vent Installation Procedure

This appliance must be vented through the chimney by a pair of 3 inch flexible aluminum liners listed for use with gas appliances. One duct is attached to the exhaust port on the top of the unit and will carry the exhaust gases to the outside of the house. This exhaust liner must run the full length of the chimney and be directly connected to the chimney termination cap. See figure 7 and 8.

The other 3 inch liner will be attached to the air intake port and will provide fresh air for combustion to the unit. This liner must extend through the damper area of the fireplace and at least into the first tile liner of the chimney. (U.S. ONLY). This liner can also extend the full length of the chimney and connect to the termination cap. See NOTICE below. See also figures 7 and 8.

NOTICE

If the intake flex does not extend the full length of the chimney and connect to the unit and the termination cap - **A METAL BLOCK OFF PLATE MUST BE CONSTRUCTED AND INSTALLED ABOVE THE UNIT BELOW THE END OF THE INTAKE DUCT** (normally at the damper area). See figure 7.

To avoid cross venting the insert, label the duct to be used for the exhaust conduit at both the top and bottom ends. This ensures that the exhaust duct will be attached to the correct collar on the insert and on the chimney termination kit.

CANADA NOTE: Both Intake and Exhaust ducts must extend the full length of the chimney and be connected to both the unit and the termination kit.

NOTICE

THE USE OF AN EXISTING CHIMNEY AS AN AIR INTAKE IS NOT COVERED UNDER THE ANSI Z21.88-2014-CSA 2.33-Mo4 TEST METHODS AND RESULTING ITS/WHI PRODUCT CERTIFICATION. THE CODE AUTHORITY HAVING JURISDICTION MUST BE CONSULTED PRIOR TO PROCEEDING WITH THIS INSTALLATION METHOD.

Venting through a Masonry Fireplace

1. Measure height of the chimney to fireplace opening. Determine if both the intake and exhaust will be extended to the top of the chimney. In Canada, both liners must extend the full length of the chimney and be connected to both the unit and the termination kit.
2. Cut the appropriate lengths of flex duct for both the intake and exhaust. **Label both ends of the Exhaust duct to ease identification inside the house.**
3. Follow the manufacturer's instructions to attach the ends of the duct(s) to the chimney termination kit as appropriate.
4. Drop the liners down the chimney from the top and rest the termination kit atop the chimney.
5. Seal the chimney termination kit to the top of the chimney flue with high temperature sealant.
6. Secure the appropriate direct vent cap to the termination kit.
7. Inside the fireplace, fully extend the duct and trim any excess so that the ends hang approximately 15" from the floor of the fireplace.
8. If the Intake duct is not attached to the chimney termination kit:
 - A. Install a length of flex duct that extends at least into the first flue tile.
 - B. The fireplace chimney flue must be permanently sealed-off from the room.
 - C. A direct vent cap is required to allow fresh air into the chimney flue and ultimately into the intake duct to the insert.
 - D. Attach the Fireplace Conversion Notice to the back of the fireplace if appropriate.
9. Remove the Vent Adaptor from the unit by pushing it to the rear. Connect both ducts to the appropriate collars.
10. Position the insert **without Backer Plate** half-way inside the fireplace and start the Vent Adaptor onto the top of the firebox. As you face the front of the insert, the Intake collar is on the left and the Exhaust is on the right.
11. Secure the ducts to the appropriate collars on the Vent Adaptor with sheet metal screws or duct clamps. No sealant is required. See Vent Connection instructions on page 13.

WARNING: FAILURE TO POSITION THE PARTS IN ACCORDANCE WITH THIS DIAGRAM OR FAILURE TO USE ONLY PARTS SPECIFICALLY APPROVED WITH THIS APPLIANCE MAY RESULT IN PROPERTY DAMAGE OR PERSONAL INJURY.

IMPORTANT NOTICE:
INSTALLATION OF A HIGH-WIND TERMINATION CAP IS RECOMMENDED FOR ALL IPI APPLIANCES TO HELP INCREASE PERFORMANCE.

We Recommend:

- ICC EXCEL DIRECT - Use TM-CT₃ with TM-CTS Cap Shield
- M&G Duravent - Use Wind Screen #46DVA-VWG.

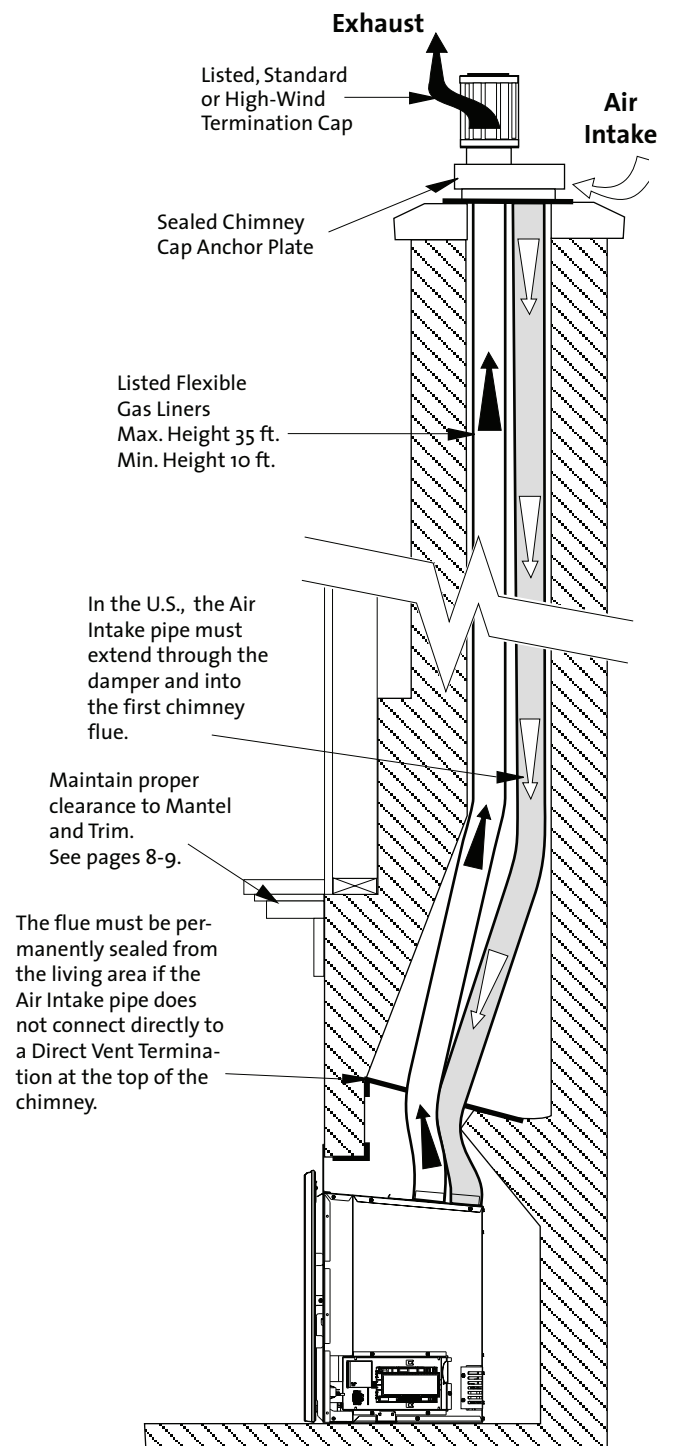


Figure 7. Masonry Fireplace Venting Configuration.
 IN CANADA: Air intake must connect to chimney cap.

Factory-built Fireplace Installation

IMPORTANT:

BEFORE STARTING THIS INSTALLATION, MAKE SURE THAT A GAS LINE CAN BE INSTALLED OR IS INSTALLED TO THE FIREBOX. THIS SHOULD ONLY BE DONE BY A QUALIFIED OR LICENSED PLUMBER OR GAS FITTER.

A factory-built fireplace will require modification prior to installation of the insert.

Modification

1. Remove any factory-built glass doors, screen rails, screen mesh, fuel grates and other components attached to the firebox. Smoke shelves, shields, fuel grates and baffles may be removed if attached by mechanical fasteners.
Do not cut out any sheet metal parts of the fireplace into which the insert will be installed.
If the factory-built fireplace has no gas access hole(s) provided, an access hole of 1 1/2" (37.5 mm) or less may be drilled through the lower sides or bottom of the firebox in a proper workmanship-like manner. This access hole must be sealed with noncombustible insulation after the gas supply has been installed.
2. Remove the damper assembly. This includes the damper blade, handle and any linkage. Two 3" liners must be able to pass through the damper area.
3. Remove any fire screen or door assembly. This is usually accomplished with removal of a support rod on the inside of the fireplace frame.
4. Remove the metal ash lip, if appropriate, to allow the insert to sit flat within the fireplace. Be sure to reinstall any screws removed.
5. Attach the fireplace conversion notice to the back of the factory-built fireplace.

VENT NOTICE:

If the intake flex does not extend the full length of the chimney and connect to the unit and the termination cap - A METAL BLOCK OFF PLATE MUST BE CONSTRUCTED AND INSTALLED ABOVE THE UNIT BELOW THE END OF THE INTAKE DUCT (normally at the damper area). See fig. 8.

To avoid cross venting the insert, label the duct to be used for the exhaust conduit at both the top and bottom ends. This ensures that the exhaust duct will be attached to the correct collar on the insert and on the chimney termination kit.

CANADA NOTE: Both Intake and Exhaust ducts must extend the full length of the chimney and be connected to both the unit and the termination kit.

**IMPORTANT NOTICE:
INSTALLATION OF A HIGH-WIND TERMINATION CAP IS RECOMMENDED FOR ALL IPI APPLIANCES TO HELP INCREASE PERFORMANCE.**

We Recommend:

- ICC EXCEL DIRECT - Use TM-CT3 with TM-CTS Cap Shield
- M&G Duravent - Use Wind Screen #46DVA-VWG.

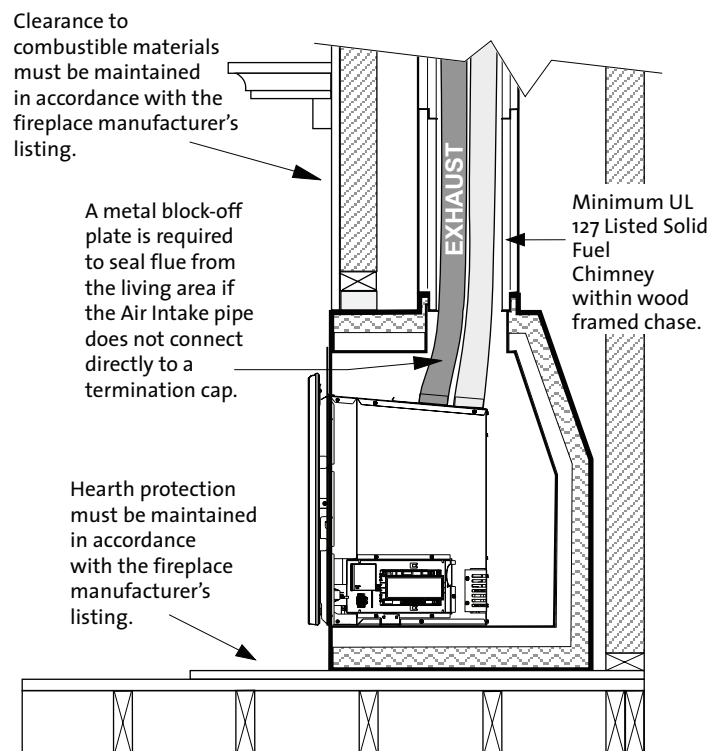
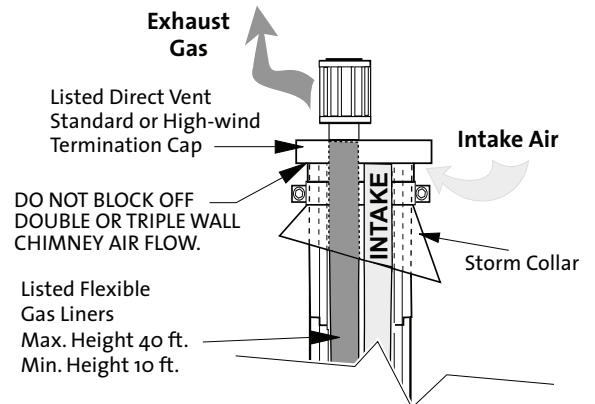


Figure 8. Venting through prefabricated fireplace chimney.

IMPORTANT NOTICE:

THE USE OF AN EXISTING CHIMNEY AS AN AIR INTAKE IS NOT COVERED UNDER THE ANSI Z21.88-1999-CSA 2.33-Mo4 TEST METHODS AND RESULTING ITS/WHI PRODUCT CERTIFICATION. THE CODE AUTHORITY HAVING JURISDICTION MUST BE CONSULTED PRIOR TO PROCEEDING WITH THIS INSTALLATION METHOD.

Prefabricated Fireplace Vent Procedure

1. Measure height of the chimney to fireplace opening. Determine if both the intake and exhaust will be extended to the top of the chimney.
2. Cut the appropriate lengths of flex for both the intake and exhaust.
3. **If the intake flex will be attached to the chimney termination kit:** Attach the appropriate ends of the flex to the chimney termination kit.
CAUTION: AVOID CROSS-VENTING THE FLEX PIPE. Label the end of the exhaust pipe to ease identification inside the house.
4. Drop the liners down the chimney from the top and rest the termination kit atop the chimney.
5. Seal the chimney termination kit to the top of the chimney pipe with high temperature sealant.
6. Secure the appropriate DIRECT VENT CAP to the termination kit.
7. Inside the fireplace, fully extend the flex duct and cut off any excess so that the liners extend approximately 15" from the floor of the fireplace.
8. **If the intake flex is NOT attached to the chimney termination kit:** See VENT NOTICE on page 12.
 - A. It is necessary to install a minimum 6 foot length of flex pipe into the flue for the intake air.
 - B. A METAL damper block off plate must be constructed and installed in the damper area to completely seal off the flue from the room. Cut holes for both the intake and exhaust liners in the block off plate.
 - C. A direct vent cap is still required to allow fresh air into the chimney flue and ultimately into the intake flex and insert.
 - D. Attach the Fireplace Conversion Notice to the back of the fireplace if appropriate.
9. Backer Plates or the Cast Iron Overlay panel must not block or seal any ventilation openings on the prefabricated fireplace.

Vent Connection

Wear Safety Gloves!

1. Remove the Lock Screw from the Vent Adaptor Panel and to detach the panel from the firebox. Retain the screw for reinstallation.
2. Attach the ends of the flex liners to the appropriate collars on the Vent Panel and secure each with screws or duct clamps. Sealant is unnecessary. See Fig. 9.
3. Position the firebox under the vent collar panel and use the Latch Tool to engage the panel with the associated pins on the firebox Vent Manifold. Fig. 9.
4. Reinstall the Lock Screw to secure the adaptor panel to the firebox.
5. Push the insert firebox fully into the final position.
Do not install the Backer Plate or Overlay Frame until all other assembly and system checks are completed.

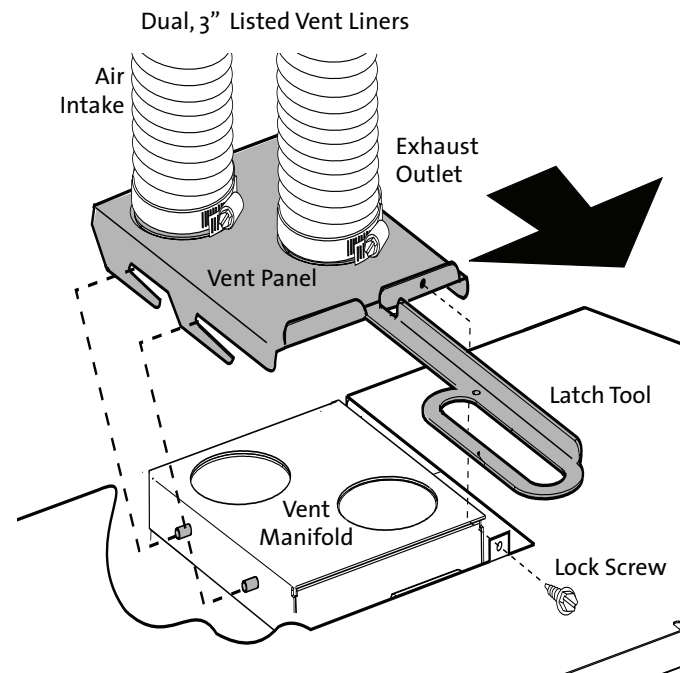


Figure 9. Vent connection.

WARNING: FAILURE TO POSITION THE PARTS IN ACCORDANCE WITH THESE DIAGRAMS OR FAILURE TO USE ONLY PARTS SPECIFICALLY APPROVED WITH THIS APPLIANCE MAY RESULT IN PROPERTY DAMAGE OR PERSONAL INJURY.

Fireplace Assembly

Before beginning final assembly, push the insert into the fireplace and adjust the leveling bolts located at each corner as appropriate to achieve a level and plumb installation.

Complete the assembly procedures in this order:

1. Gas Connection and Leak Test
2. Gas Pressure Test
3. Fuel Conversion
4. High Altitude Adjustment
5. Brick Panel or Reflective Glass Panel Kits
6. Log Set
7. Air Shutter Adjustment

NOTE: IN ORDER EASE ACCESS TO COMPONENTS, COMPLETE PROCEDURES 1-4 ABOVE BEFORE PLACING THE INSERT WITHIN THE FIREPLACE.

Gas Supply Connection

The gas supply line connection is made to the valve on the left side of the unit facing the front. The gas supply line should be a minimum of 3/8" in diameter, or the appropriate size to provide sufficient gas pressure to the valve regardless of the input setting. See fig. 10-11.

The GI 635 DV IPI is shipped a 36" length of flexible gas 3/8" gas line. Jøtul recommends the use of the flexible gas line for ease of installation and service. However, for those areas where flexible gas lines are not permitted, use of a 3/8" iron nipple and union is recommended. See fig. 10.

The use of Flexible Gas Appliance Connectors is acceptable in many areas in the U.S., however, Canadian methods vary depending on local code.

ALL INSTALLATIONS MUST COMPLY WITH LOCAL CODE OR IN THE ABSENCE OF LOCAL CODE, MUST COMPLY WITH THE MOST RECENT EDITION OF THE NATIONAL FUEL GAS CODE ANSI Z223.1/NFPA 54 OR CAN-B149.

An integrated gas cock is built into the fuel supply line just upstream of the valve. This feature conforms to building codes requiring a shut-off valve be located within the same room as the appliance. The gas cock allows for the disconnection of the insert for servicing and maintenance. See figs. 11-a and 11-b.

Secure all joints tightly using appropriate tools and sealing compounds (for propane units, be sure to use compounds that are propane resistant). Turn on gas supply and test for gas leaks using a soapy water solution or electronic gas sensor. Never use an open flame to check for leaks. Tighten or reconnect the leaking joint and retest for any gas leaks.

INSTALLATION OF A T-HANDLE GAS COCK IS REQUIRED IN MASSACHUSETTS IN COMPLIANCE WITH CODE 248 CMR.

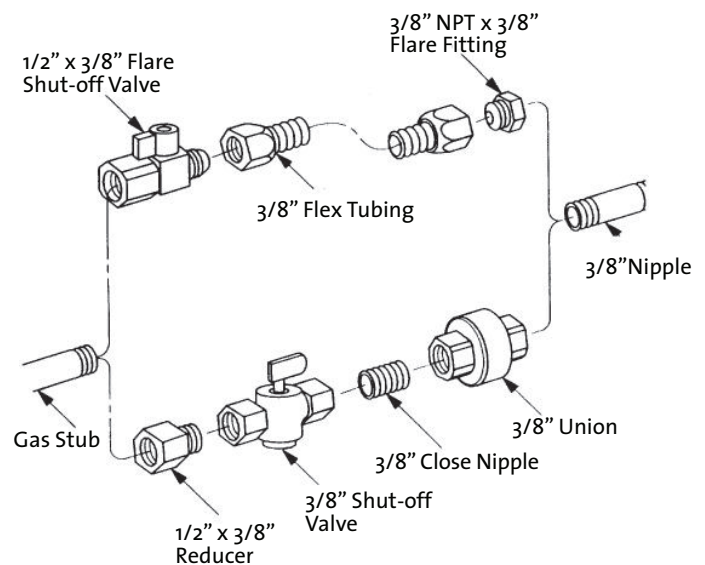


Figure 10. External gas connection components.

Gas Pressure Test

Correct gas pressure is essential for efficient and safe operation of the gas insert. It is important that the correct pressure is established at the time of the installation.

The appliance must be isolated from the gas supply line by closing its internal manual gas shut-off valve (gas cock) during any pressure testing of the gas supply piping system that is equal to, or less than pressures of 1/2 psig (3.5kPa).

1. Use the Glass Frame Latch Tool to open and close the internal gas cock located on the supply line in the valve compartment. See fig. 11-a.
2. Connect a manometer to the Inlet and Manifold test connection points located on the face of the Control Valve. See fig. 12. Adjust the pressure to the appropriate specifications indicated in the chart below.

INLET or supply pressure (the amount of gas coming to the valve.) Indicated by the arrow embossed on the valve.

OUT - for manifold pressure (the amount of gas that is coming out of the valve to the burner.)

REQUIRED INLET GAS PRESSURES (inches water column)

	MIN	MAX
NATURAL GAS	4.0 WC	7.0 WC
PROPANE	12.0 WC	14.0 WC

REQUIRED MANIFOLD PRESSURES (inches water column)

	MIN	MAX
NATURAL GAS	1.1 WC	3.8 WC
PROPANE	2.9 WC	11.0 WC

ALWAYS TEST PRESSURE WITH THE VALVE REGULATOR ADJUSTED TO THE HIGHEST SETTING.

Figure 11-a. Insert the Latch Tool into the receiver hole in the gas cock.

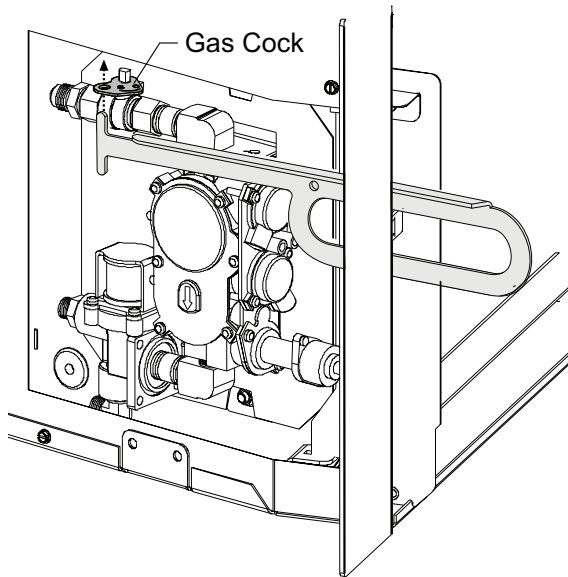


Figure 11-b. Pull the tool forward toward you to open the gas cock. Push it back to close the gas cock.

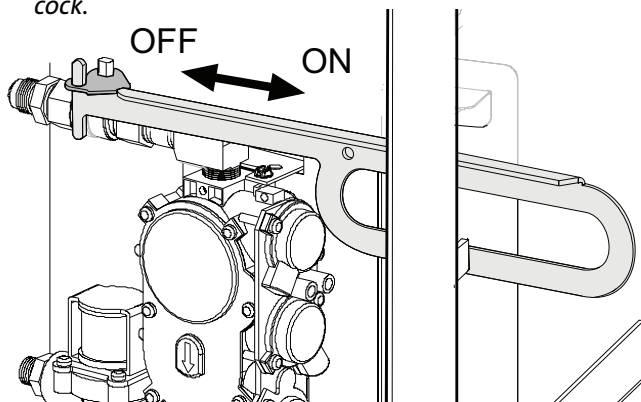
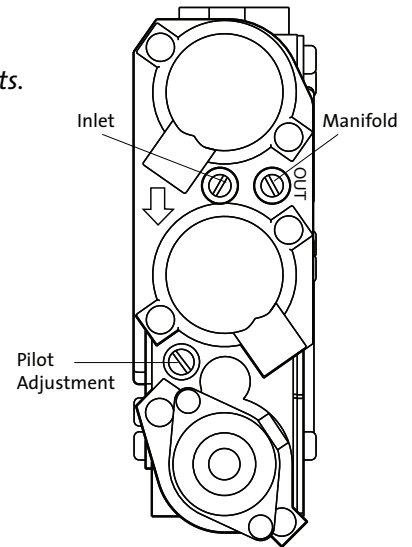


Figure 12. Pressure test points.



Symptoms of incorrect gas pressure include:

Insufficient gas pressure:

- Small pilot flame which can result in poor pilot rectification and/or frequent burner outages.
- Little variation in flame picture between HI and LO regulator settings.
- Insufficient gas to support more than one appliance causing nuisance outages or gas surges.

Excessive gas pressure:

- Permanent damage to valve causing complete appliance shut down.
- Too large a pilot flame resulting in overheating of the flame sensor and consequent shut down.
- Sooting due to impingement and/or incorrect fuel to air mix.

WARNING

DO NOT ALLOW THE INLET GAS PRESSURE TO EXCEED 14.0" WC (OR 1/2 PSIG) AS SERIOUS DAMAGE TO THE VALVE MAY RESULT.

Fuel Conversion

NOTE: IN ORDER TO ACCESS THE STEPPER MOTOR COMPONENTS, COMPLETE THE FUEL CONVERSION PROCEDURE BEFORE PLACING THE INSERT WITHIN THE FIREPLACE.

The Jøtul GI 635 DV IPI is shipped from the factory equipped to burn Natural gas. Propane Fuel Conversion Kit 157821 is included with this appliance. Use Fuel Conversion Kit 157822 to convert back to Natural Gas. The kits contain all the necessary components, including labels that must be applied to the insert.

WARNING:

THE CONVERSION KIT IS TO BE INSTALLED BY AN AUTHORIZED JØTUL SERVICE TECHNICIAN IN ACCORDANCE WITH THE MANUFACTURER'S INSTRUCTION AND ALL CODES AND REQUIREMENTS OF THE AUTHORITY HAVING JURISDICTION. FAILURE TO FOLLOW THESE INSTRUCTIONS COULD RESULT IN SERIOUS INJURY OR PROPERTY DAMAGE. THE QUALIFIED AGENCY PERFORMING THIS WORK ASSUMES RESPONSIBILITY FOR THIS CONVERSION.

IN CANADA:

THE CONVERSION SHALL BE CARRIED OUT IN ACCORDANCE WITH THE REQUIREMENTS OF THE PROVINCIAL AUTHORITIES HAVING JURISDICTION AND IN ACCORDANCE WITH THE REQUIREMENTS OF THE CAN1-B149.1 AND .2 INSTALLATION CODE.

LP Conversion Kit

Tools required:

- 1/2" & 13 mm open end wrench or deep-well socket
- Torx T20 driver
- 1/4" nut driver
- 7/16" open end wrench

LP Conversion Kit Contents:

- 1 Regulator Motor labeled for the appropriate fuel
- 2 Regulator Torx screws
- 1 Left Injector, 1.40 mm (Front Burner)
- 1 Right Injector, 1.20 mm (Rear Burner)
- Label A - to be completed and applied to the base of the valve compartment
- Label B - apply to the rating plate in the space indicated on the plate.
- Small valve label - apply to valve body
- Conversion instructions

SIT Proflame 880 Valve Rating Specifications:	BTU/hr.	
	NG	LP
Min. Input Rate, 0 - 2000 ft.	10,000	8,700
Max. Input Rate, 0 - 2000 ft.	40,000	40,000
Max. Input Rate, up to 4500 ft.	38,000	38,000

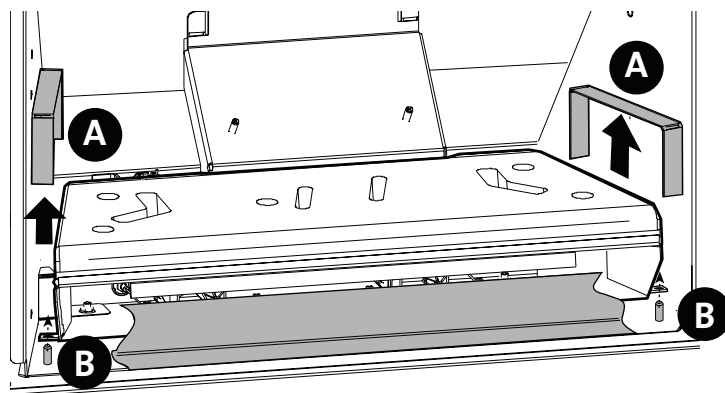
See High Altitude specifications, pg. 18.



CAUTION: WEAR SAFETY GLOVES WHILE WORKING WITHIN THE FIREBOX.

Fuel Conversion Procedure

1. **TURN OFF THE ELECTRICAL AND GAS SUPPLY** to the appliance.
2. **REMOVE THE GLASS FRAME** using the Latch Tool. See fig. 1.
3. **RETRACT THE AIR SHUTTERS:** Two Air Shutter cables are located at the floor of each side compartment. Push each cable fully in. This action retracts the shutters and allows the burner to be disengaged from the firebox. See figs. 16 and 58.
4. **REMOVE THE BURNER:**
First lift out the two steel support shelves (A) located at each side of the burner. Grasp the burner assembly at the two large ports. Lift it straight up, tilting it back to disengage it from the injectors and front locator studs (B). Pull the assembly out of the firebox.



5. **CHANGE THE BURNER INJECTORS:** Use a 1/2" open end wrench or deep-well socket to remove the burner injectors from the brass elbows at the rear of the firebox. See fig. 14. Install the injectors from this conversion kit into the appropriate left and right locations and tighten securely.
6. **CHANGE THE INTEGRATED DUAL-FUEL PILOT ORIFICE:**
Use the 7/16" wrench to just loosen the pilot head enough to push in the orifice lever. See fig. 15.
LP: push lever to the Right to expose the red indicator.
NG: push lever to the Left.
Retighten the pilot base nut, but do not over-tighten. Be certain the pilot hood directs flame to the flame sensor.
7. **CHANGE THE VARIABLE REGULATOR TOWER** on the gas control valve. See fig. 16.
 - **Remove the heat shield from the valve compartment to access the Regulator Tower.**
 - Disconnect the IFC lead from the regulator lead.
 - Remove the original regulator tower with removal of two Torx mounting screws.
 - Install the new regulator tower from the kit using the screws previously removed. Tighten screws securely. Reconnect the Regulator lead to the IFC lead.
 - Reinstall the Regulator Heat Shield and screw.

Figure 14. Fuel Conversion Components.

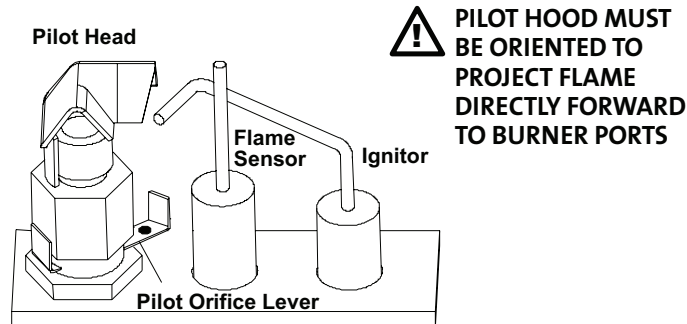
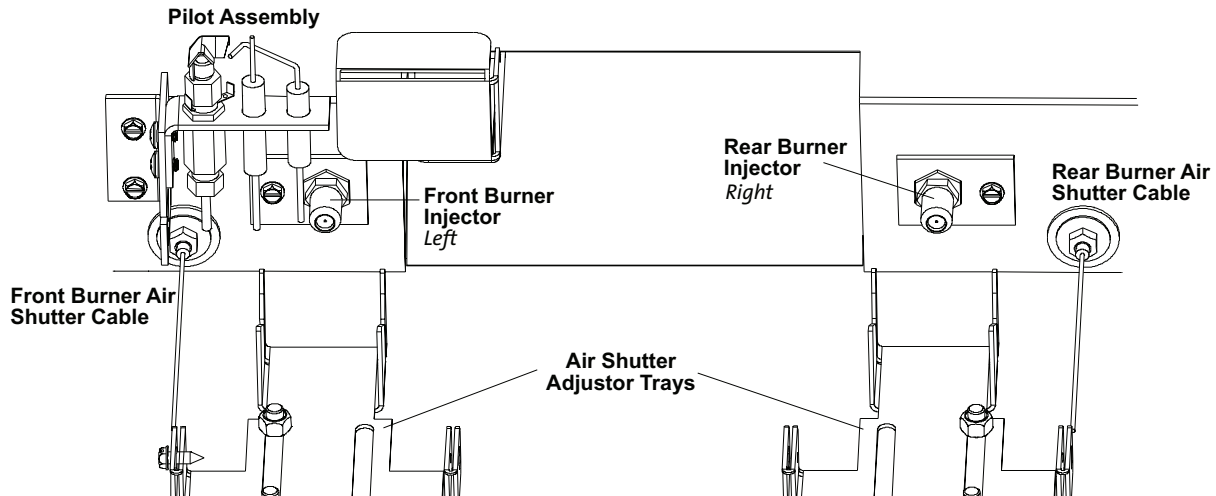


Figure 15. Pilot Conversion to Propane.

8. **APPLY THE INCLUDED CONVERSION NOTICE LABELS** to the appliance where they will be visible to any person who may be servicing the unit.
 - Label "A": Apply to the right side compartment adjacent to the Rating Plate.
 - Label "B": Apply to the Rating Plate.
 - Small valve sticker: Apply to valve body.
9. **REINSTALL THE BURNER ASSEMBLY.** Refer to the instructions and illustration in the **Appendix** on page 41.
10. **GAS LEAK CHECK:** Use an electronic gas detector or soap solution to test for leaks at the pilot head and all gas line joints.
NEVER USE AN OPEN FLAME TO CHECK FOR GAS LEAKS.
11. **PRESSURE TEST:** Conduct a pressure test of the valve following the guidelines on page 14 of this manual.
12. **BURNER CONFIRMATION:** Follow Steps 1 -5 under **Initial System Check** on page 30 before final assembly of accessory, log set, and surround components.

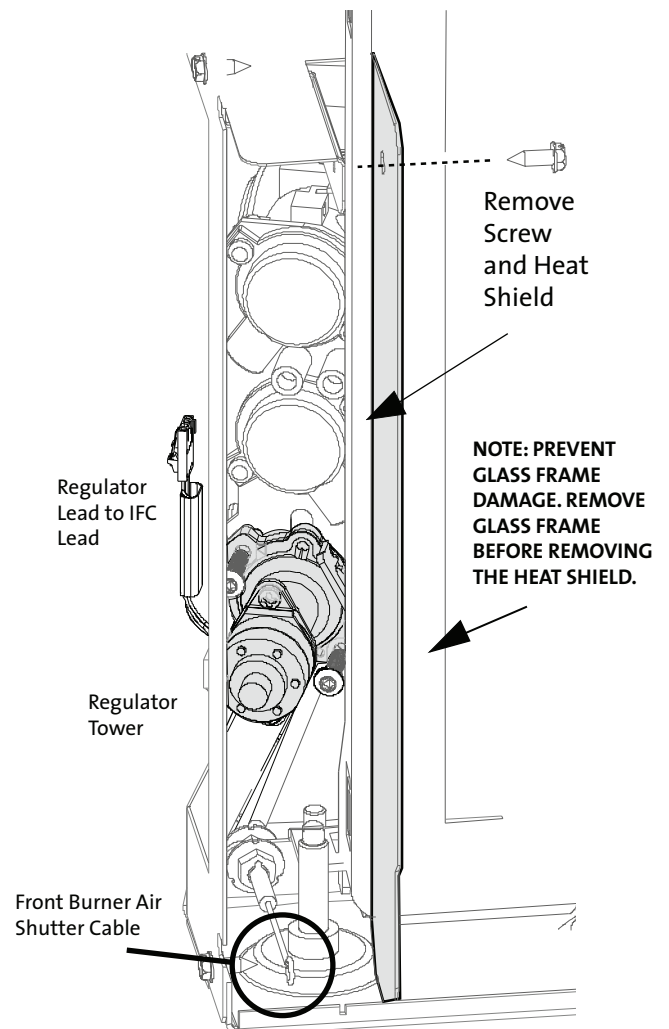


Figure 16. Replace the Regulator Tower.

High Altitude Adjustment

When installing this appliance at altitude above 2000 feet, it is necessary to compensate for the thinner air (less volume of air per cubic foot). Higher altitudes affect the atmospheric pressure and heat value of gaseous fuels. The lower oxygen content in the air and the lower gas viscosity require the use of a different orifice to achieve efficient, clean combustion at the burner.

In the U.S.

THE DERATING KIT MUST BE INSTALLED BY AN AUTHORIZED SERVICE TECHNICIAN IN ACCORDANCE WITH THE MANUFACTURER'S INSTRUCTIONS AND ALL CODES AND REQUIREMENTS OF THE AUTHORITY HAVING JURISDICTION. THE INFORMATION STICKER MUST BE FILLED OUT BY THE INSTALLER AND APPLIED TO THE APPLIANCE AT THE TIME OF THE CONVERSION. THE QUALIFIED SERVICE AGENCY PERFORMING THIS WORK ASSUMES RESPONSIBILITY FOR THIS DE-RATING.

In Canada

This unit has been tested for installation at high altitudes in accordance with Canadian test standard CAN/CGA-2.17. THE DERATING SHALL BE CARRIED OUT IN ACCORDANCE WITH THE REQUIREMENTS OF THE PROVINCIAL AUTHORITIES HAVING JURISDICTION AND IN ACCORDANCE WITH THE REQUIREMENTS OF THE CAN1-B-149.1 AND .2 INSTALLATION CODE.

High Altitude Installations:

2000 ft. to 4500 ft. installations (or 610 m - 1370 m)
See Table 1.

For high altitude installations consult the local gas distributor or the authority having jurisdiction for proper rating methods. If the installer must convert the unit to adjust for varying altitudes, the information label must be completed by the installer and applied to the appliance at the time of the conversion. See fig. 19.

Derating procedure

1. Install the appropriate orifice as specified in the High Altitude Chart, Table 1 above.
2. Follow the burner removal procedure detailed on page 16.
3. Use a 1/2" deep well socket or open end wrench to remove each original orifice and replace with the appropriate ones from the high altitude adjustment kit. Use Table 1 above to identify the correct locations for each orifice.
4. Attach the high altitude conversion sticker provided to the rating plate on the appliance. See figure 19.
5. **Follow the burner installation procedure detailed on pages 17-18.**
6. It may be necessary to adjust the air shutters. See the Flame Picture / Air Shutter Adjustment on the page 31 for more details.

GAS	ORIFICE SIZE	ELEVATION	JØTUL PART NO.
NATURAL GAS	2.20 mm - L 1.95 mm - R	2001' - 4500' (611 - 1170 m)	225762 - Left 225840 - Right
PROPANE	1.35 mm - L 1.15 mm - R	2001' - 4500' (611 - 1170 m)	223792 - Left 225538 - Right

Table 1. High Altitude Orifice Chart.

<p>THIS APPLIANCE HAS BEEN CONVERTED FOR USE AT AN ALTITUDE OF _____</p> <p>Orifice Size: _____ Manifold Press: _____</p> <p>Input, BTU/Hr: _____ Fuel Type: _____</p> <p>Date of Conversion: _____ / _____ / _____</p>

Figure 19. High Altitude Conversion Notice Label

Final Positioning

1. CLEAN THE FIREPLACE.

Use a vacuum to thoroughly clean all debris from the firebox. This will eliminate the potential for the insert fans to blow dust and debris back into the room.

2. BLOWER POWER CORD LOCATION:

Extend the blower power cord out forward of the fireplace, routing it to the nearest power source. The cord can extend approximately 8 feet (2,44 cm) to the right or 5 feet (154 cm) to the left. A compatible 10 foot extension cord is available from your dealer, Jøtul PN 223253.

3. BACKER PLATE OPTIONS.

Follow the procedures for installation of the various backer plates detailed on pages 28-29.

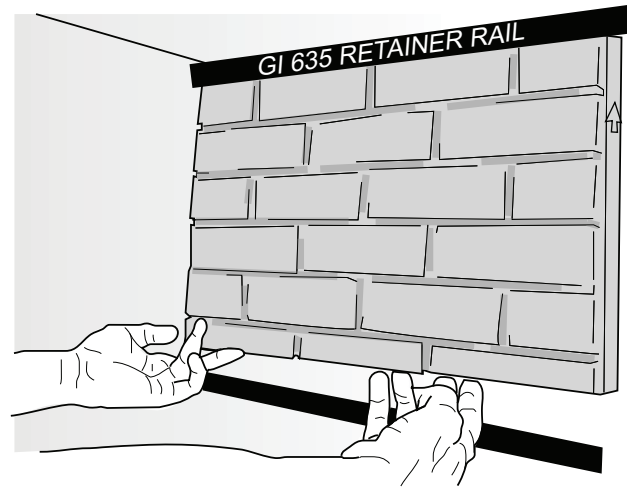


Figure 22 a. Install rear panel behind upper rail.

Install Optional Brick Panels

157686 Traditional Red

- Rear Panel - 225793
- Left Side Panel - 225794
- Right Side Panel - 225795

Tools Required

Flat Head Screwdriver

157798 Brownstone

- Rear Panel - 225514
- Left Side Panel - 225517
- Right Side Panel - 225516

! CAUTION !
THE PANELS ARE VERY FRAGILE. HANDLE GINGERLY, BEING CAREFUL TO AVOID DAMAGING THE EDGES OR CORNERS FROM CONTACT WITH OTHER PARTS OF THE FIREPLACE.

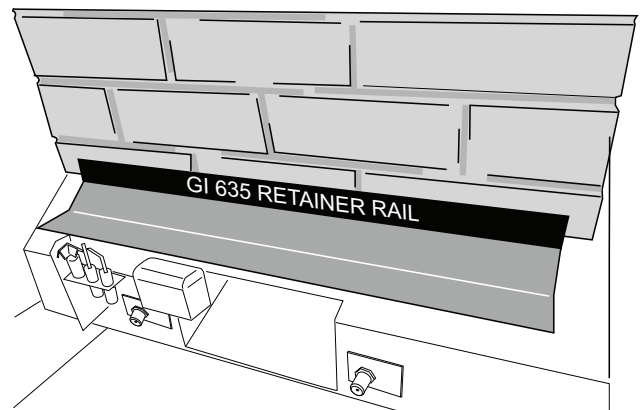


Figure 22 b. Brick panel lower retainer rail.

1. INSTALL THE REAR BRICK PANEL

Locate the small embossed arrow at the right side edge of the panel, fig. 22, a. Orient the panel with the arrow pointing up.

Engage the panel behind the upper retainer rail and seat the bottom behind the lower retainer rail on the burner skirt shelf. Figs 22 a and 22 b.

2. INSTALL THE SIDE BRICK PANELS.

Slide each Side Panel (D) into position flat against the firebox side, resting the bottom edge on the support shelf. Fig. 23. **BE CAREFUL TO AVOID PINCHING THE CORNERS OF THE PANELS AGAINST ADJACENT FIREBOX COMPONENTS.** The fibrous, ceramic material can be easily chipped.

Locate the panel retainer tab at the top of the firebox (E) and use the screwdriver to bend it down just enough to secure the panel in place.

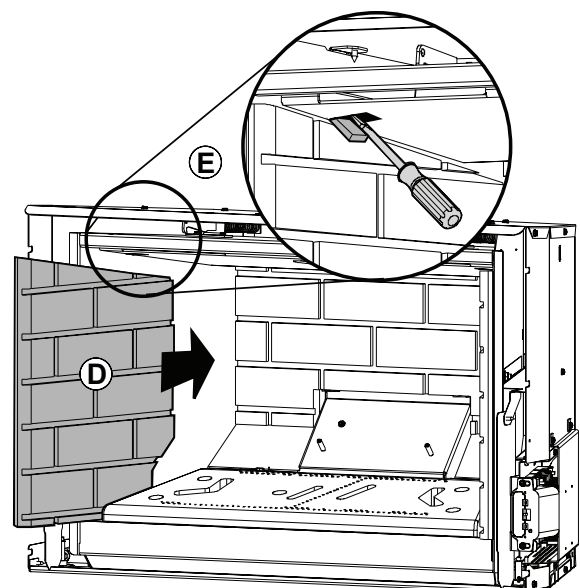


Figure 23. Side panel installation.

Install Optional Reflective Glass Panels

157803 Kit Contents

- Left Side Panel - 225768
- Rear Panel - 225769
- Right Side Panel - 225770
- Side Panel Shelves, (2) - 225929
- Cotton Gloves

Tools Required

- Flat head Screwdriver
- Pliers
- Safety Gloves

SKIN OIL IS DIFFICULT TO REMOVE FROM THE GLASS SURFACES. USE THE GLOVES PROVIDED TO PROTECT THE PANELS FROM FINGERPRINTS.

1. Carefully unpack the panels and set each on carpet or other protective material. **The panels will be installed with the textured surface facing against the firebox walls and the smooth facing side out.**
2. Engage the Rear Panel up behind the Upper Retainer rail and set it on the Lower Shelf. Fig. 24.
Use pliers to bend the end tabs (A) up to retain the panel in place. Fig. 25.
3. Place each Side Panel Shelf (B) on top of the steel spacer brackets between the burner and the side walls. Fig. 26.
4. Slide each Side Panel (C) into position flat against the firebox side, resting on the support shelf as in fig. 27. Push the side panel back against the rear panel.
Locate the Retainer Tabs (D) at the top of the firebox and use the screwdriver to pry each down just enough to secure the side panels in place.

CAUTION !
DO NOT OVER-BEND THE TABS AS TOO MUCH PRESSURE CAN DAMAGE THE GLASS. BEND THE TABS ONLY ENOUGH TO KEEP THE PANELS FROM FALLING FORWARD.

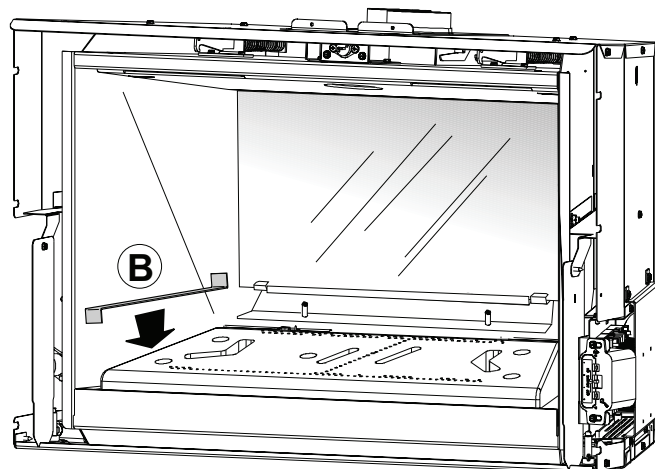


Figure 26. Install side panel shelves.

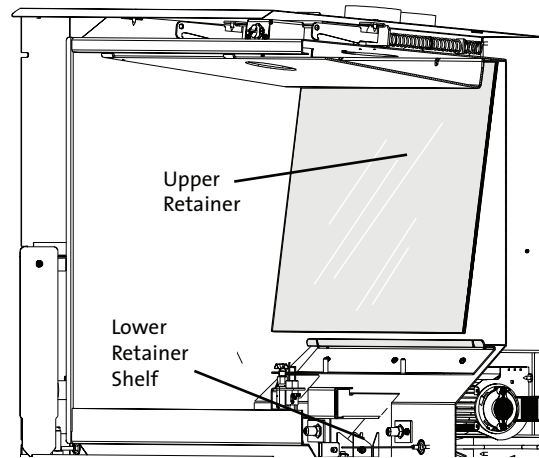


Figure 24.
Engage the rear panel behind the upper and lower retainers.

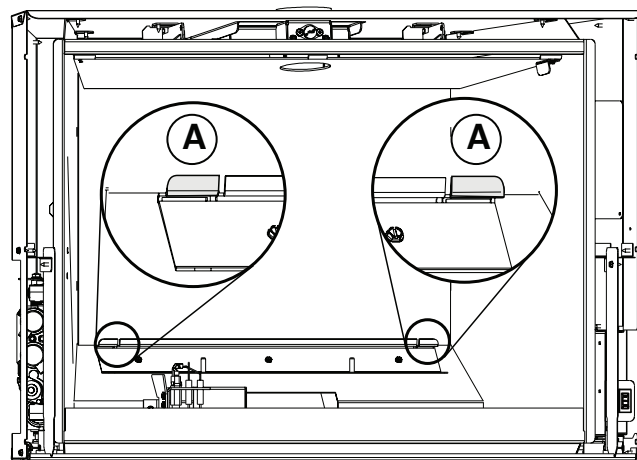


Figure 25. Bend retainer tabs up to secure the panel.

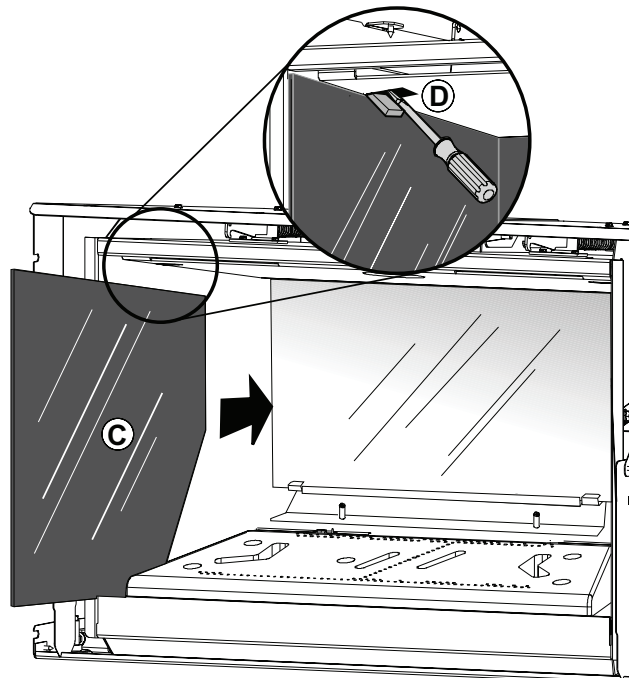


Figure 27. Install side glass panels.

Install the Log Set

NOTE: Install the optional Brick Panels before installing the Log Set.

Install the log set in the order presented here. Fig. 53 shows the final arrangement.

Figure 30..



- | | |
|--------------------------|--------|
| #1 Rear Log | 225771 |
| #2 Left Lower Log | 225772 |
| #3 Chunk Burner Log | 225773 |
| #4 Right Lower Log | 225774 |
| #5 Right Front Cross Log | 225775 |
| #6 Right Upper Cross Log | 225777 |
| #7 Left Upper Cross Log | 225776 |

Figure 31. #1 Log. Engage the two pegs located on rear burner skirt with the holes in the underside of the log.



Figure 32. #2 Log: The flat pads on the underside of the log rest on the flat landings in the burner base.

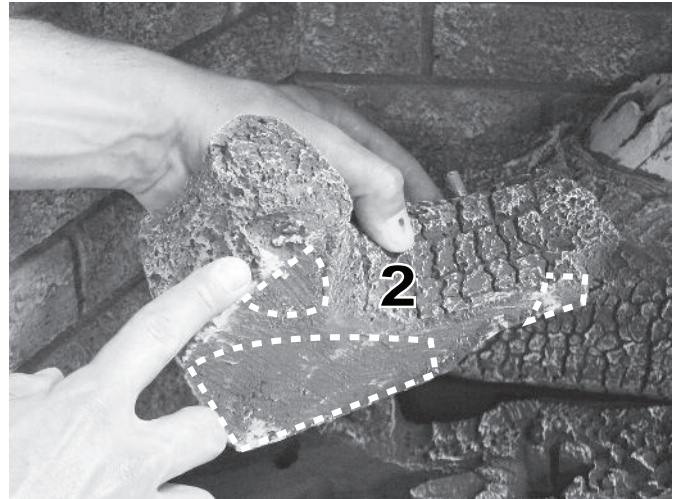


Figure 33.

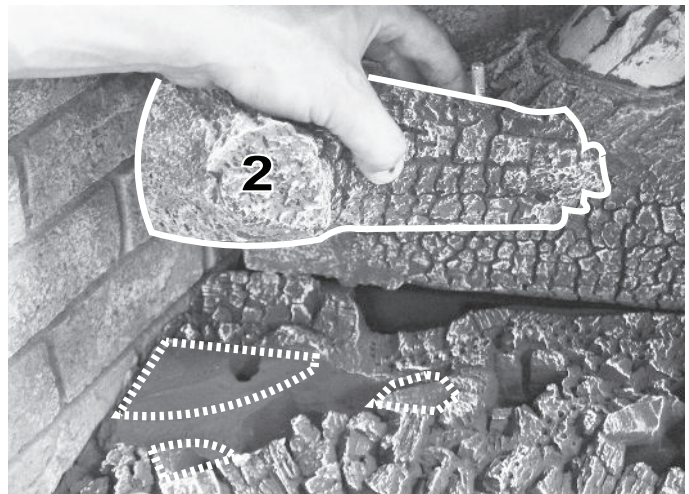


Figure 34.

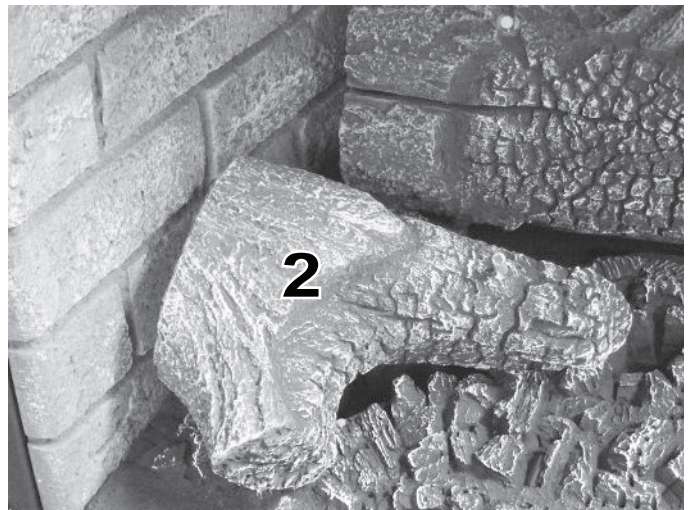


Figure 35. #3 Log: Two rounded notches in the bottom of the log align with matching nubs in the right side of the burner base.

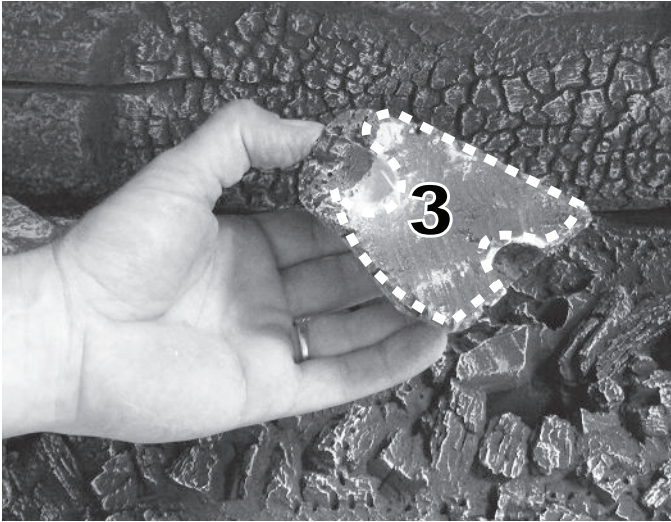


Figure 38. #4 Log: The ceramic stub in the base of the log sets into the back of the slot in right side of the burner base. Push the log all the way to the rear. See figs. 30-40.

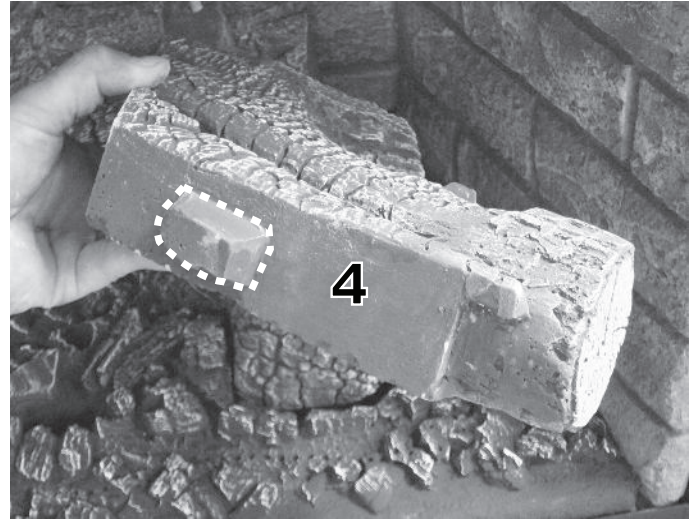


Figure 36.

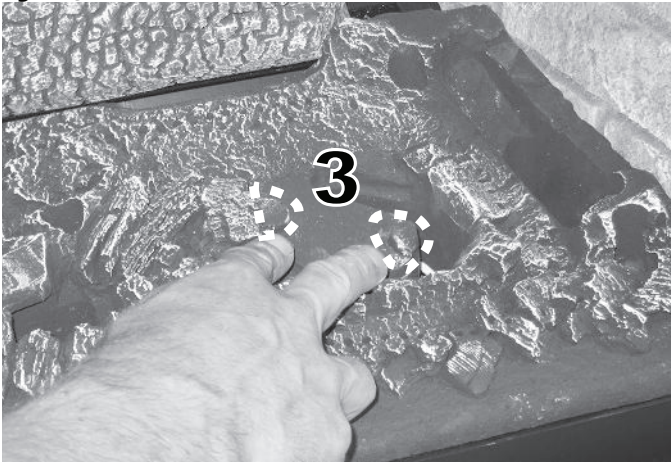


Figure 39.

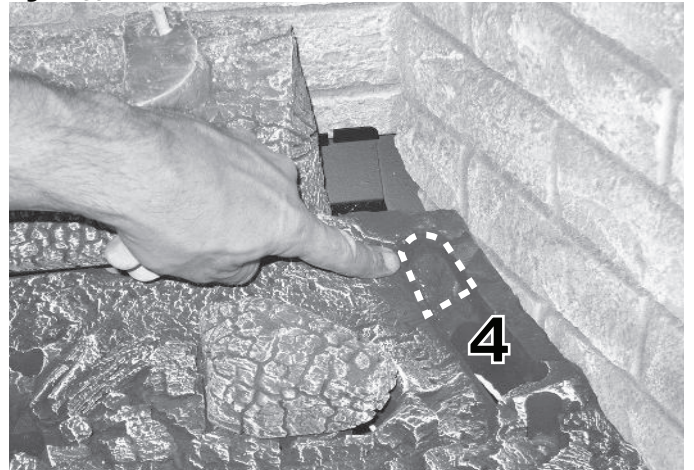


Figure 37.



Figure 40.



Figure 41. #5 Log: The notch [A] at the upper end mates with the stub [A] protruding from Log #4.
The flat pad [B] at the lower end rests on the matching flat [B] in the burner base.

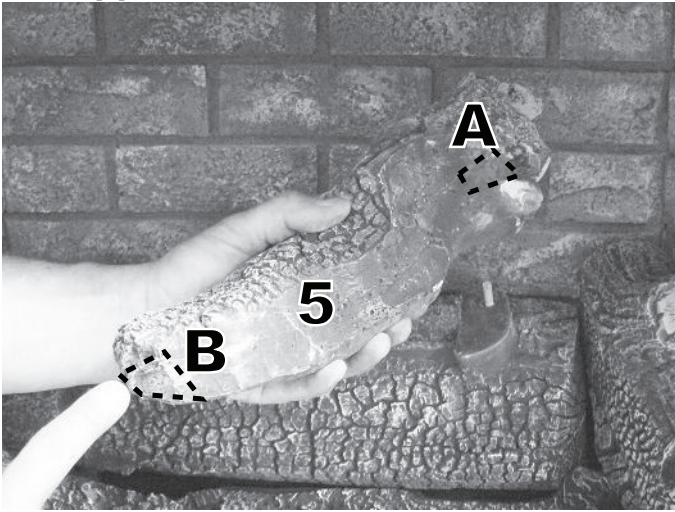


Figure 44.

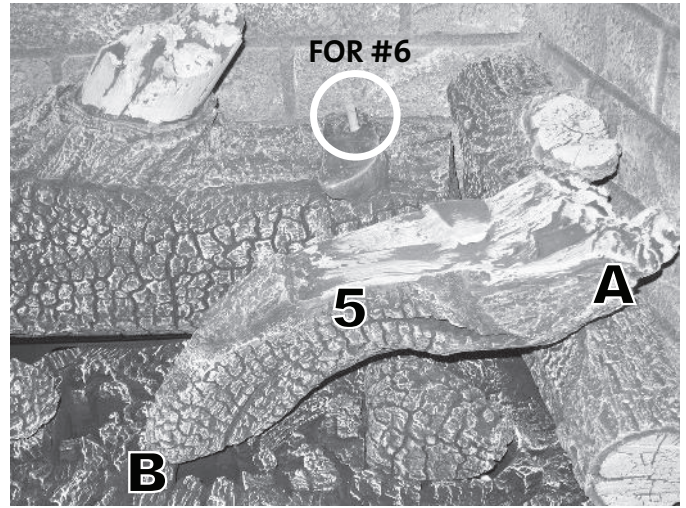


Figure 42.

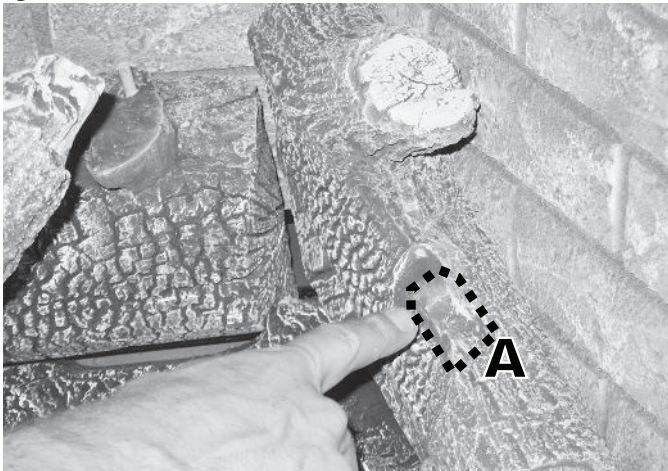


Figure 45 a. Properly positioned, the lower end of the log should be adjacent to the large port, - not blocking it.

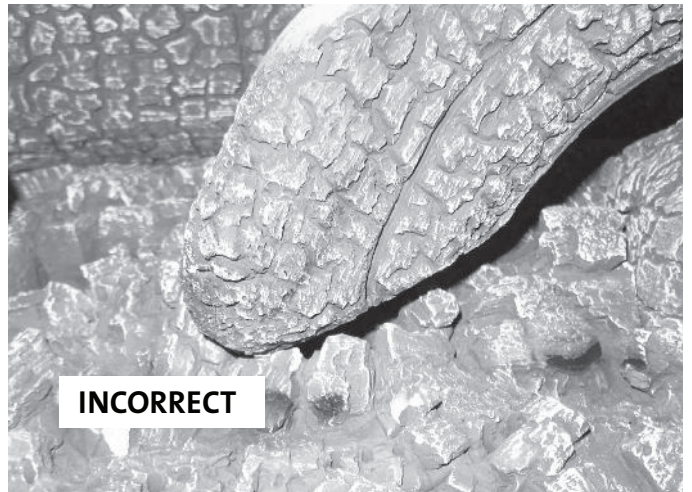


Figure 43.

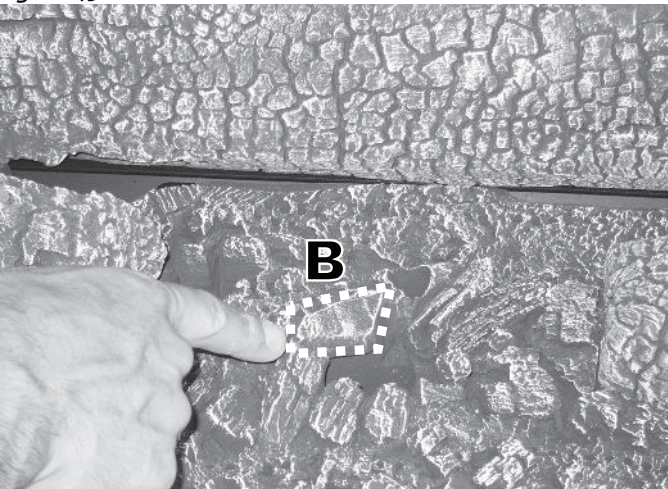


Figure 45 b.

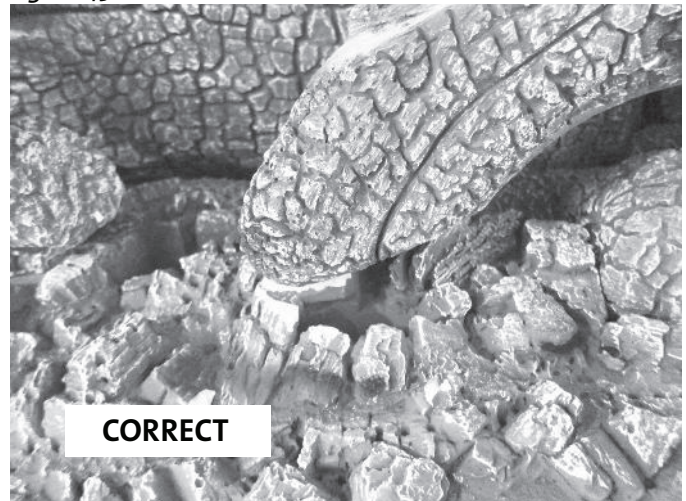


Figure 46. #6 Log: Engage the underside hole with the right peg on Log #1. Rest the forward end of the log in the shallow groove on top of Log #5.

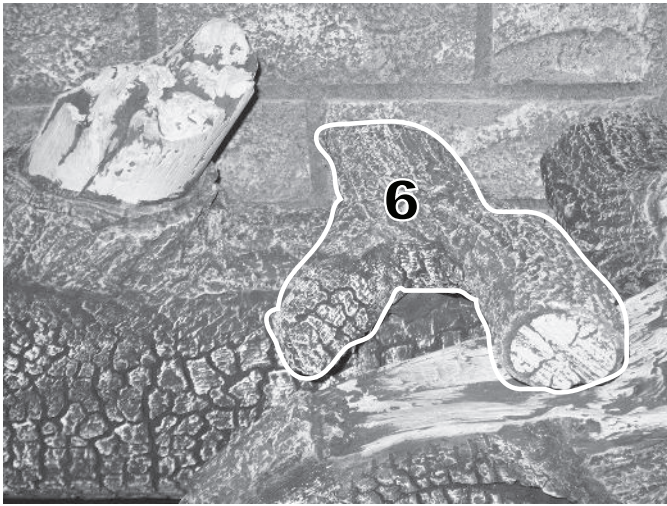


Figure 49. Use tweezers to pinch small tufts of Rock Wool very sparsely around the burner base.

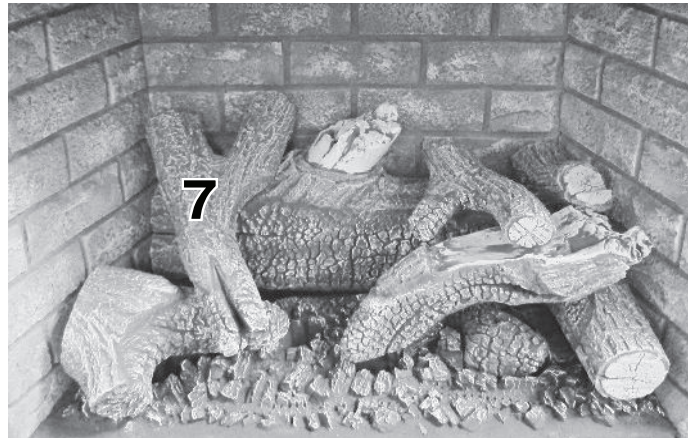


Figure 47. #7 Log: Engage the underside holes with the pins in Log #1 and Log #2.



Figure 50. DO NOT BLOCK ANY PORTING HOLES. KEEP FIBERS AWAY FROM THE PILOT CARRY-OVER PORTS.

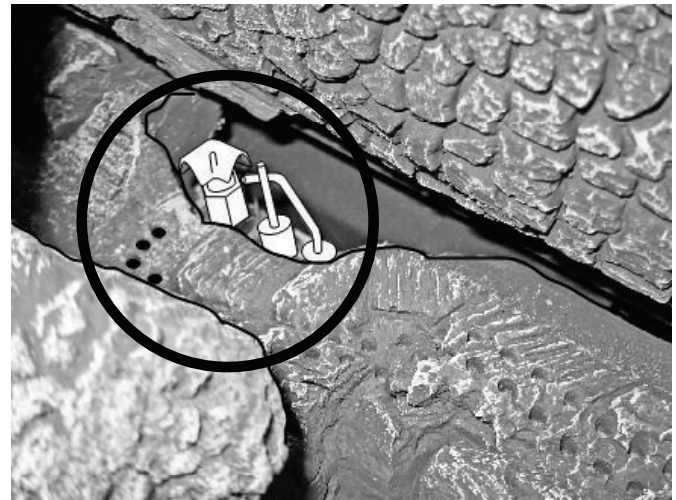
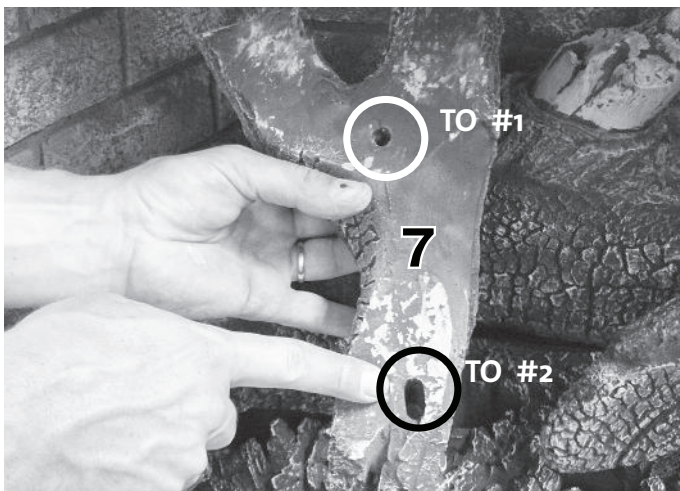


Figure 48.



WARNING: FREQUENTLY INSPECT THE PILOT AREA AND KEEP IT CLEAR OF MISPLACED LOGS OR DEBRIS. DO NOT ALLOW ANY MATERIAL TO OBSTRUCT PILOT CARRY-OVER PORTS.

NOTE: COMPLETE FUEL CONVERSION, HIGH ALTITUDE ADJUSTMENT, AND BRICK OR GLASS PANEL INSTALLATION BEFORE ASSEMBLING BACKER PLATES.

Standard Backer Plate Installation

The standard Backer plates each incorporate hanger brackets to which the Front Cast Iron Overlay Assembly will be attached.

Tools Required

- phillips screwdriver
- safety glasses and gloves

Procedure

1. Loosely attach the Backer Plate to the insert firebox using the ten, M6 x 8 phillip head screws as shown in Fig. 51. Tighten the screws in an alternating pattern.

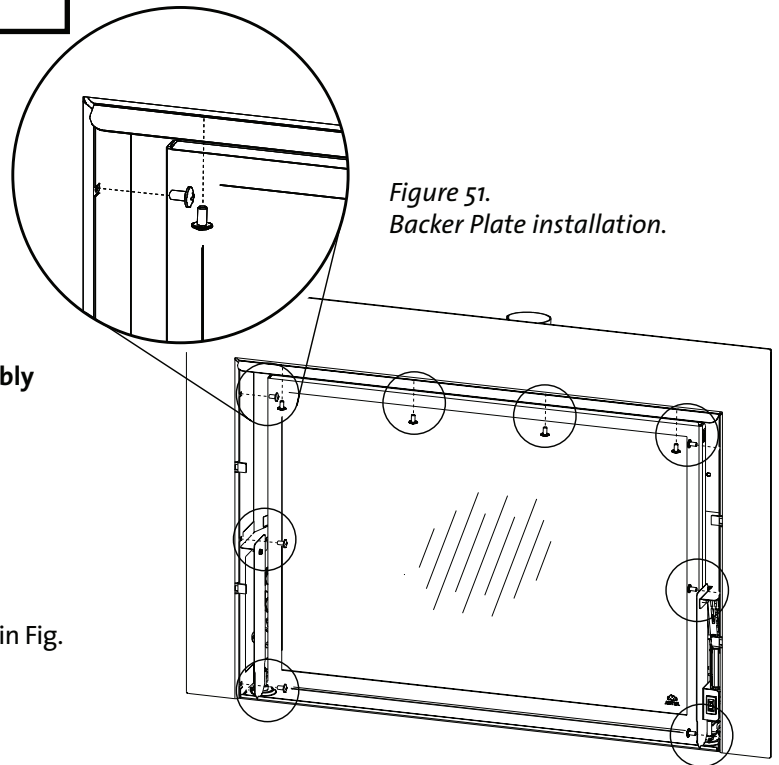


Figure 51.
Backer Plate installation.

Three or Four-Sided Trimmable Backer Plate Installation

Tools Required

- zip wheel or other sheet metal cutting tool
- phillips screwdriver
- safety glasses and gloves

Trimmable Backer Plates include Hidden Hanger Bracket Kit 157802 which must be installed in order to attach the Cast Iron Overlay assembly.

An assistant will be helpful in aligning the backer panel with the hanger brackets and firebox.

Procedure

1. Scribe and trim the 22 ga. sheet steel surround panel as appropriate for the fireplace face.
2. Very loosely attach the three Hidden Surround Hanger Brackets to the insert firebox using the ten, M6 x 8 phillips head screws as shown in Fig. 52.
3. Engage the backer plate panel inner flanges between the hanger bracket screws and the inner firebox shroud.
4. Tighten the screws securely.

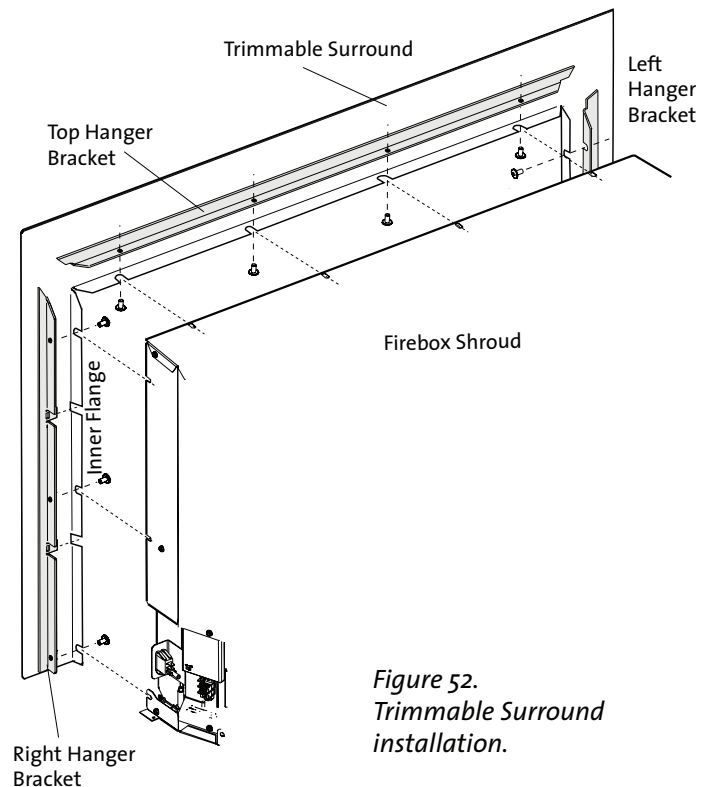


Figure 52.
Trimmable Surround installation.

Hidden Hanger Bracket Kit Installation

The Hidden Hanger Brackets are used for installations in which a Backer Plate is not needed. The brackets provide a means of attachment for the Front Cast Iron or Steel Surround Overlay assemblies.

- Left Bracket 225765 Right Bracket 225766
- Top Safety Bracket 225767
- M6 x 8 phillips truss head screws, 10

1. Attach each bracket using the 10 M6 x 8 phillips head screws provided, as shown in fig. 52a.

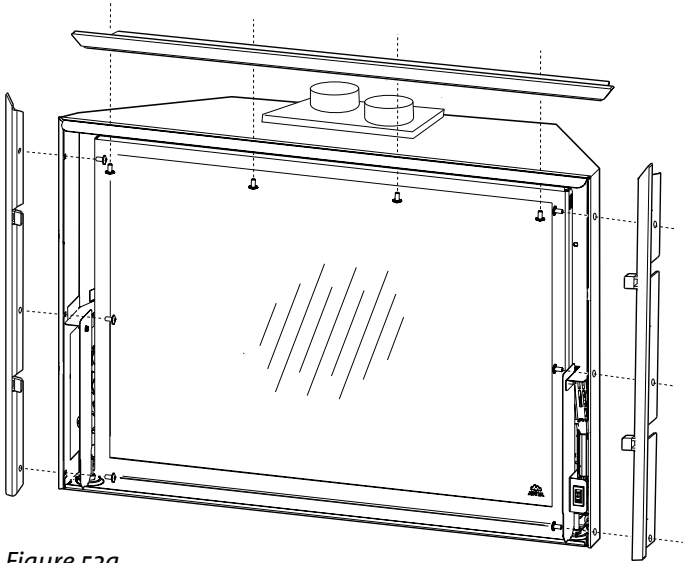


Figure 52a.

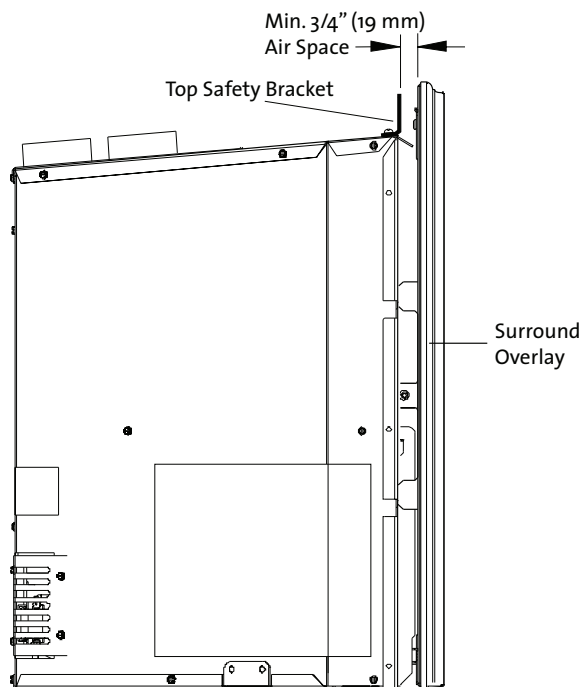


Figure 52b.

WARNING! See Fig. 52b below.

- A MINIMUM 3/4" (19 mm) AIR SPACE MUST BE MAINTAINED BETWEEN THE SURROUND OVERLAY ASSEMBLY AND BACKER PLATE OR FIREPLACE FACE.**
- DO NOT RECESS THE FIREBOX UNIT INTO THE FIREPLACE BEYOND THE FRONT LIP OF THE TOP SAFETY BRACKET.**
- DO NOT MODIFY THE HANGER BRACKET POSITIONS OR REDUCE THE OVERLAY AIR SPACE IN ANY WAY. DOING SO MAY OVERHEAT THE APPLIANCE AND VOID THE WARRANTY.**

Surround Overlay Assembly

Both the Cast Iron and the Steel Overlays are shipped fully assembled, including the integrated Safety Barrier Screen.

- Remove and discard the four plastic joint shims from the front of the Brown Majolica enamel frame assembly. The other cast iron and steel overlay assemblies do not ship with joint shims.

Installation

The Cast Iron overlay assembly is heavy - assistance may be helpful. Handle the enameled assembly carefully to avoid inadvertent damage.

To install either type of overlay, simply engage the side mounting brackets with the steel support tabs on either the Hidden Hanger Brackets or Standard Backer Plate, whichever is appropriate.

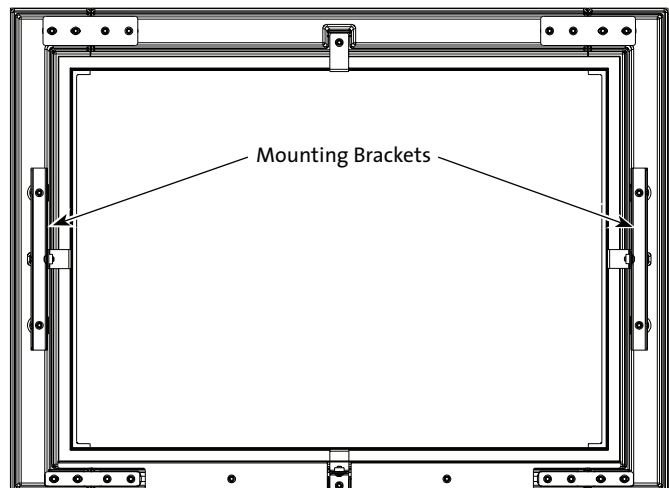


Figure 53. Overlay mounting brackets.

Operation

Initial System Check and General Operation

WARNING:

READ AND UNDERSTAND ALL OPERATING INSTRUCTIONS BEFORE ATTEMPTING TO OPERATE THIS APPLIANCE. DO NOT ALLOW ANYONE TO OPERATE THIS APPLIANCE WHO HAS NOT READ AND UNDERSTOOD THESE INSTRUCTIONS. KEEP THE REMOTE CONTROL TRANSMITTER WHERE CHILDREN CANNOT REACH IT.



WARNING:

SEVERE INJURY. THIS APPLIANCE CAN BE SET TO OPERATE THERMOSTATICALLY. BE AWARE THAT THE APPLIANCE MAY BE VERY HOT EVEN WHEN THE BURNER IS NOT APPARENTLY OPERATING. KEEP CHILDREN AWAY FROM THE APPLIANCE.

WARNING:


OBSERVE CAUTION NEAR THE GLASS PANEL. THE GLASS MAY SHATTER IF STRUCK BY AN OBJECT. ALWAYS HANDLE THE GLASS PANEL WITH CARE. REMOVE GLASS ONLY FOR SERVICE.

This appliance is designed to be operated with use of the Remote Control System. Run the following procedure to test basic burner function before completing the installation into the fireplace.

- Battery Installation:** In the event of a power failure, install the four, 1.5v AA batteries into the IFC Back-up battery box in the right side firebox compartment. See Fig. 54. Do not leave them in the battery box permanently as the box will corrode.
Install three 1.5v AAA batteries into the Remote Transmitter. The transmitter and receiver have already been synchronized at the factory. (If synchronization is lost, follow instructions on page 31.)
- Connect the appliance to 120 VAC house current.**
- Initial System Purge:** When lighting the appliance for the first time, or after a long period of disuse, it will take a few moments to clear the gas line of air. Once this purge is complete, the appliance will operate as described in the lighting instructions located on the rating plate and back cover of this manual.
- Place the Burner Switch in the REMOTE position. With the transmitter OFF** (dark display), press the Mode  button to select the pilot mode. Press the UP/DOWN  button to toggle between IPI and CPI modes.
In CPI mode, the pilot will light immediately and remain lit. **In IPI mode**, the pilot will light before the main burner ignition, and then extinguish after each heat cycle.

PILOT ADJUSTMENT

Each flame should be steady - not lifting or floating. The flames should be blue in color at the pilot hood, with traces of yellow toward the outer edges. It is important that the pilot flame fully engulf the top 1/4" of the flame rectifier / sensor. Both pilot flames should project one inch out of the pilot hood. See Fig. 58, page 29. The pilot flames may be adjusted if necessary using the adjustment screw located on the gas valve body, Fig. 12, page 15. **Adjustments should be made only by a qualified gas technician.**

- Set the Burner switch to REMOTE, then press the remote Power button  once to turn on the burner. It will ignite at the HI setting.
See pages 30 - 33 for detailed Remote Control function instructions.
- For the first few hours of operation, it is common to detect some odor as the metal and manufacturing materials cure under heat. This condition is temporary and can be alleviated by allowing fresh air to circulate through the area.

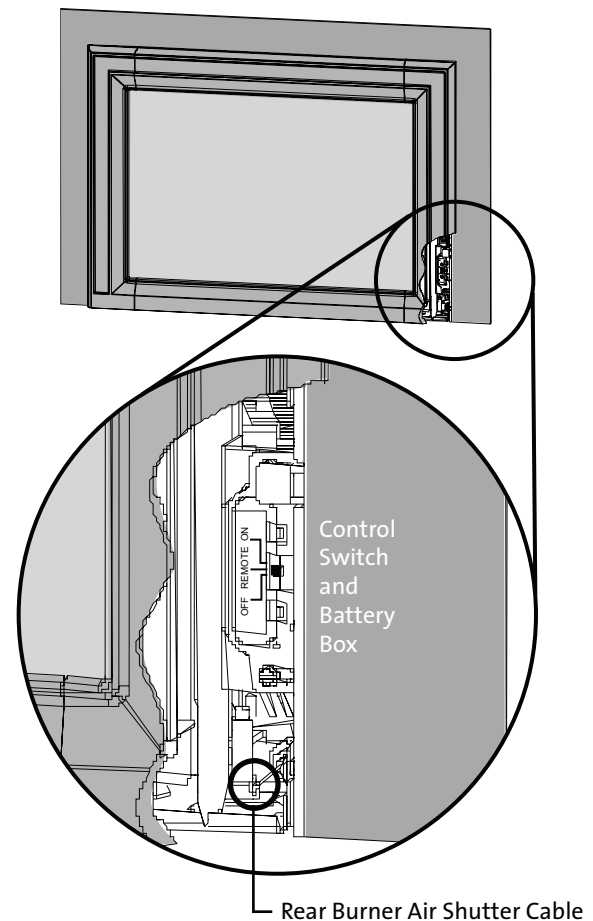


Figure 54. Fireplace Control Switch / Battery Box location.

- Condensation will develop on the glass upon each lighting of the appliance. This “fog” will dissipate as the glass heats. Using CPI mode will minimize condensate.

8. IMPORTANT: It will be necessary to clean the inside of the glass panel after the first few fires. A white powdery residue will be evident which results from the burner media curing. Use a non-abrasive household glass cleaner or warm water. IF THE GLASS IS NOT CLEANED, THIS RESIDUE CAN CAUSE THE GLASS TO BECOME PERMANENTLY ETCHED. DO NOT USE AMMONIA-BASED CLEANERS.

- Keep the control compartments free of dust and debris. Always keep the appliance area clear and free from combustible materials, or flammable liquids.
- This appliance can be operated with a continuously burning pilot flame. Exercise caution when using household products containing combustible vapors.
- CAUTION: DO NOT OPERATE THIS APPLIANCE WITH THE GLASS PANEL REMOVED, CRACKED OR BROKEN. REPLACEMENT OF THE GLASS SHOULD BE DONE BY A LICENSED OR QUALIFIED SERVICE PERSON. USE ONLY REPLACEMENT GLASS PROVIDED BY YOUR AUTHORIZED JØTUL DEALER. NEVER SUBSTITUTE ANY OTHER TYPE OF GLASS.**

Flame Picture / Air Shutter Adjustment

WARNING:

AIR SHUTTER ADJUSTMENTS SHOULD ONLY BE PERFORMED BY A QUALIFIED PROFESSIONAL SERVICE TECHNICIAN.

The volume of air supplied to the front and rear burners is regulated by individual air shutters which are controlled in turn by cables located at the each side of the firebox. The right cable controls the Rear Burner air (fig. 54) and the left cable controls the Front Burner air (fig. 55).

- PUSH the cable IN to OPEN the air shutter and increase air volume.
- PULL the cable OUT to decrease air volume.

The air shutter adjustment allows you to achieve the desired flame appearance. Generally, flame appearance is a matter of personal preference, however most people enjoy warm, yellowish flames of medium proportions. The simple air shutter adjustment feature allows you to dial-in the burners to acquire a flame picture “sweet spot” that combines efficient combustion with pleasing aesthetics.

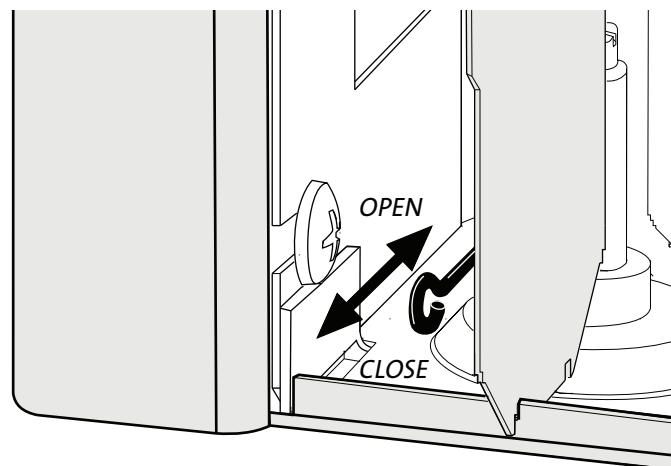


Figure 55. Front Burner Air Shutter Cable location - Left-side Compartment.

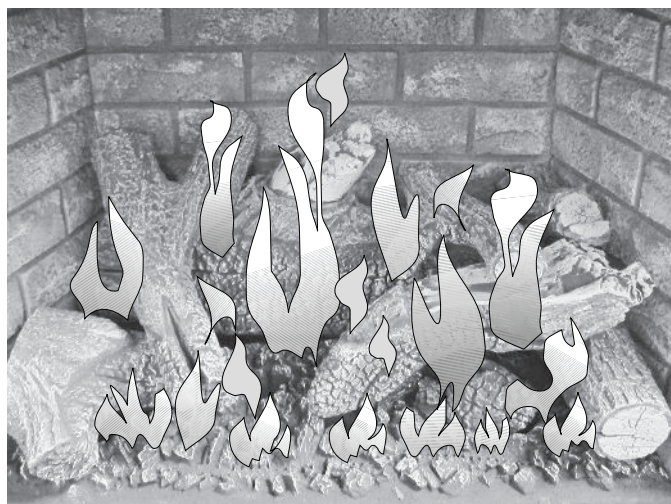


Figure 56. Correct flame picture.

Adjusting Air Supply Settings

On first firing, push each Air Shutter cable in to fully open the air shutters. Place the Mode Control to ON and operate both burners set on HIGH for a minimum of 15 - 20 minutes to allow the insert components to come up to stable operating temperature.

The burners are very sensitive to air supply volume. Make air adjustments in 1/8” - 1/4” increments, waiting a few minutes to observe the flame pattern changes before making subsequent adjustments. Repeat the process until a satisfactory flame picture is achieved.

Insufficient combustion air will promote inefficient combustion resulting in very long yellow flames and soot. Sooting produces black deposits on the logs, on the firebox walls, and potentially on the termination cap.

Very blue, transparent, or weak “anemic” flames are indications of too much air which, although efficient, are not very attractive.

Generally, Propane will require a more open air shutter setting than will Natural Gas.

Fireplace Operation

Burner Switch

- **ON** : Power is available to the Burner(s) only. They will ignite at the last previous flame level setting.
- **REMOTE** : Power is available for all appliance features.
- **OFF**: The Burner will not operate.

Pilot Modes

- **Continuous Pilot Ignition (CPI)**
This permits the pilot to continue burning even when there is no call for heat. This feature allows the burner to function properly under a variety of adverse conditions. For example, it can be difficult to establish positive draft through a very long vent system, particularly in very cold weather. In such cases, the entire system will benefit as the heat generated by a continuous pilot flame will help establish a positive draft. CPI mode will also reduce glass condensation upon start-up.

Exercise caution when operating with a continuous pilot. **DO NOT USE CLEANING PRODUCTS HAVING COMBUSTIBLE VAPORS AROUND THE OPERATING FIREPLACE.**

- **Intermittent Pilot Ignition (IPI)**

This feature allows the pilot flame to go out when there is no call for heat. Ideal for use with thermostatic or manual remote control, the Integrated Fireplace Control module ignites the pilot flame only when there is a call for heat. A battery back-up permits continued functionality in the event of a power failure.

Flame Picture

- **NO SMOKE OR SOOT SHOULD BE PRESENT. CHECK LOG PLACEMENT IF ANY SOOT OR SMOKE IS APPARENT. IF SOOT OR SMOKE PERSIST, THE AIR SHUTTER MAY REQUIRE ADJUSTMENT TO ALLOW MORE AIR TO SUPPORT EFFICIENT COMBUSTION. See Adjusting Air Supply Settings on page 28.**

Accent Lamp

The Accent Lamp is controlled by the hand-held remote transmitter. See figs. 76-77, page 33.

Heat generated from the accent lamp may assist in maintaining draft in very long vent runs and thereby help ensure consistent IPI start-up performance.

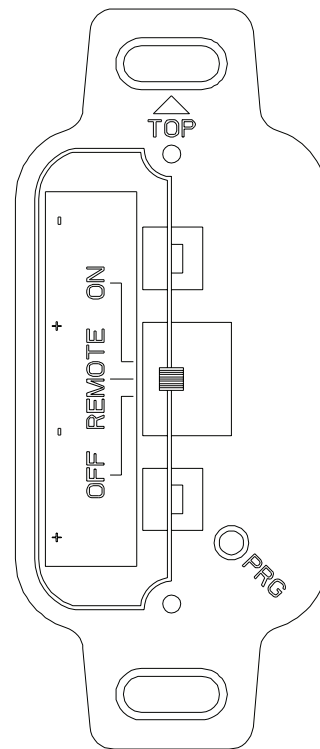


Figure 57.
Burner Control Switch and remote initialization button.

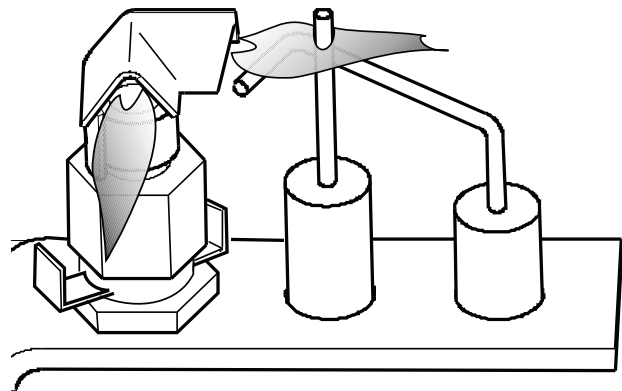


Figure 58. Correct Pilot Flame Pattern.

Blower Function

Two heat-activated, 95 cfm blowers assist in moving heat into the living environment. Power is supplied through the same circuit used by the other fireplace components. The blowers must be electrically grounded in accordance with local codes, or, in the absence of local codes, with the current NFPA 70 - National Electrical Code or CSA C22.1 - Canadian Electrical Code.

The blower is controlled by the hand-held remote transmitter. See Fan Control, page 33.

Proflame 2 Remote Control

Features Overview

The Proflame 2 Integrated Fireplace Control (IFC) module incorporates electronic remote control of the Jøtul GI 635 functions. Together with the hand-held transmitter, the IFC controls front and rear burner operation both manually and thermostatically. It will also control flame modulation, blower functions, and accent lighting.

The system utilizes an IPI system (Intermittent Pilot Ignition) and may also be switched to keep the pilot lit continuously if desired (CPI - Continuous Pilot Ignition). Power is provided to the IFC by 120V house current and is backed-up by a 6V battery pack (four, 1.5V AA) for operation during a power failure.

Remote Control Transmitter

The hand-held remote transmitter has all controls available on its face for reliable, ease of use. It gives room temperature readout, set temperature readout, all function abilities as well as childproof lockout and low battery indicator. Icons appear on the screen indicating which mode of operation you are controlling. The four button controls are easy to learn and simple to operate. The transmitter is powered by 3, 1.5V AAA batteries.

Remote Control Receiver

The receiver is integrated with the IFC board which is located within the valve compartment.

Integrated Fireplace Control (IFC)

The IFC is the electrical heart of the system. It provides power to all components and converts to 6.5v DC in the event of power failure. The IFC also sends power to the fan system and the accent light, however, when no line power is available, these features will not operate. The battery back-up only allows continued remote control of burner functions.

Sit 886 Modulating Valve

This valve has the ability to be stepped down in six increments between high and low. It can be done manually or by setting the remote control to the Smart thermostat modulation mode. Automatic modulation means that as the room temperature approaches the limit set for shut down, the valve gradually decreases or “steps-down” the fire intensity. Conversely, as room temperature cools, the valve gradually increases flame intensity. The overall result is more comfortable, even heating that minimizes temperature peaks and valleys.

Pilot Assembly

The pilot assembly consists of a pilot hood, electrode, and a flame sensor. The electrode sends a spark to the pilot hood which ignites the gas. The sensor is then engulfed by the pilot flame, flame rectification occurs, and the pilot remains lit.

Intermittent Pilot Flame Rectification Process

When there is a call for heat, the pilot will automatically make two attempts to light the burner before locking out.

On the first attempt, the pilot will spark for up to sixty (60) seconds. If rectification occurs within that time, the burner will light. If rectification does not occur, the pilot will extinguish.

If the main burner ignites and rectification is lost, the system will extinguish the burner and immediately ignite the pilot and attempt to relight the burner three (3) more times. On the fourth attempt, the system will again light the pilot and then sit idle with only the pilot burning for sixty (60) seconds in order to establish draft to support combustion air flow.

If rectification still does not occur to keep the main burner lit, the system will “lock-out”.

To clear a lock-out condition:

1. In either IPI or CPI mode, key to OFF for 5 seconds.
2. Key to ON for 5 seconds.
3. Key back OFF again and wait for the audible IFC signal indicating the lock-out has been cleared. If no signal is heard, repeat these steps until a signal is heard.

INSTALLER / OPERATOR NOTE

Under certain conditions wherein draft is unstable or weak, it is advisable to run the system in Continuous Pilot mode (CPI). Warm weather, extreme cold weather, a long vent run, or high wind conditions are all contributing factors that can interfere with IPI functionality. A continuously running pilot can generate sufficient heat to help establish and maintain the draft strength required for rectification to occur.

WARNING:

OBSERVE CAUTION NEAR THE GLASS PANEL.
THE GLASS MAY SHATTER IF STRUCK BY AN OBJECT.
ALWAYS HANDLE THE GLASS PANEL WITH CARE.

ATTENTION:

- FOR INSTALLATION OR MAINTENANCE, CLOSE THE SUPPLY GAS COCK, SET BURNER SWITCH “OFF”, AND DISCONNECT POWER FROM THE FIREPLACE.

Remote Control Functions

Pilot Mode Control

- The IPI/CPI functionality will be fully controlled by the remote transmitter. See Pilot Mode, page 35.
- **ON** - Set the insert burner switch to ON to enable the remote control burner operation.
- **OFF** - Turns off burner functionality. Switch to OFF when the fireplace will not be used for an extended period of time. The accent lamp and blower functionality will continue to be available with the remote set to OFF.

Remote Transmitter

The Transmitter features a simple button layout and informative display screen. See figs. 59-60.

LCD DISPLAY - graphically indicates temperature settings and status of the Thermostat, Burner, Fan, and Accent Lamp.

ON / OFF Key - controls Burner, Fan, and Lamp functions.

THERMOSTAT Key - Used to set either Manual or Thermostatic Control and index through thermostatic functions.

UP / DOWN Arrow Key - Selects thermostat temperature range, fan speed, and flame height.

MODE Key - used to select the component to be controlled: CPI/IPI, Front Burner, Blowers, and Accent Lamp.

The included Wall Mount Bracket can be used for convenient Transmitter storage away from curious children.

IFC / Transmitter Mode Synchronization

1. Install three fresh AAA batteries into the Transmitter.
2. Set the fireplace Burner Switch to REMOTE.
3. Press the black initialization button (PRG) at the lower right of the battery box faceplate (fig. 57, page 29). The board will “beep” three times signalling a 10-second synchronization time limit.
4. **Within the 10-second time frame**, push the ON button on the Transmitter. The IFC will “beep” three times to indicate that it has acknowledged the transmitter command and sets to the particular code of that transmitter.
5. **After initialization, the burner switch should be left in the REMOTE position for normal operation.**

For Manual Only functionality, hold the battery box initialization button (PRG) down until it “beeps” three or four times. Within 10 seconds, push the button again until it signals acknowledgement that the Remote function is off.

NOTE: In Manual functionality, there is no control over the blower, lamp, or pilot modes. **The pilot defaults to CPI mode.**

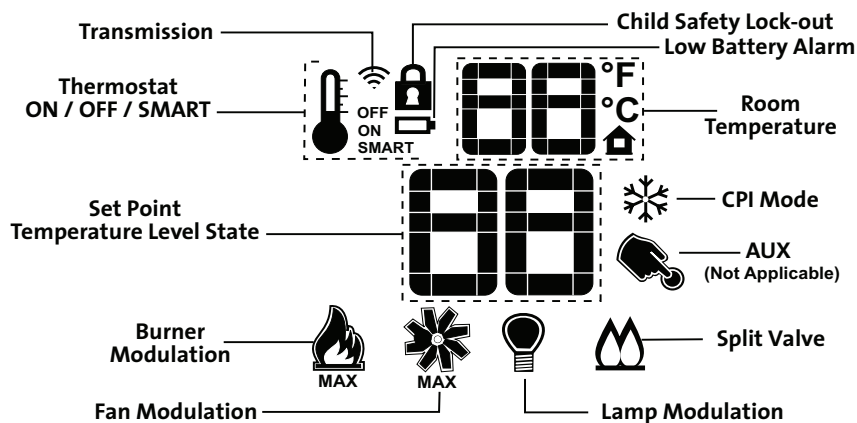
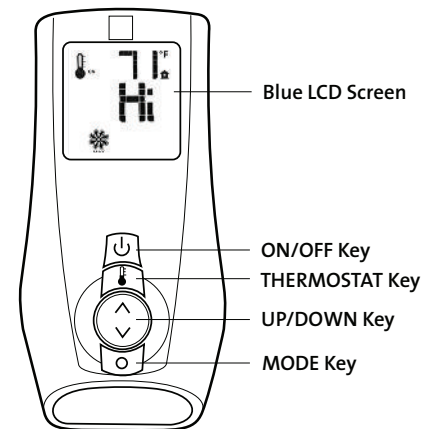


Figure 60. Remote transmitter display data.

Figure 59. Remote transmitter function keys.



Remote Transmitter Controls

Temperature Indication Display

- With the transmitter in the OFF position, press the Thermostat Key and the Mode Key at the same time. The display screen will show the current room temperature cycling between Fahrenheit and Celsius indicators each time the keys are pressed simultaneously. See fig. 61.

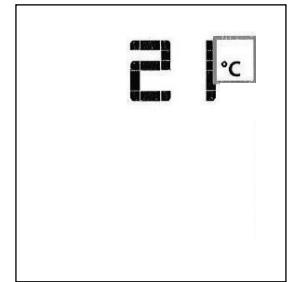
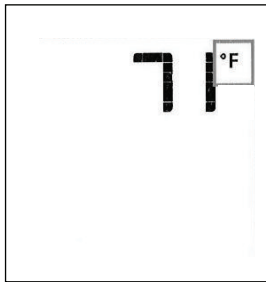


Figure 61. Room temperature readings

Pilot Mode

- With the transmitter in the OFF position, press the transmitter Mode key - IPI is the default mode. Fig. 62. Press the Up arrow to index to the CPI icon and activate the Continuous Pilot Ignition mode. Fig. 63. Pressing the Down Arrow Key will return to Intermittent Pilot Ignition. A single “beep” will confirm reception of the command.

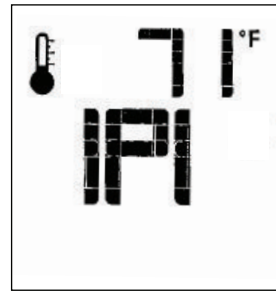


Figure 62. IPI is the default position.

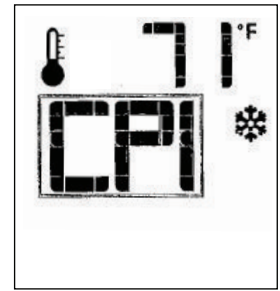


Figure 63. CPI ON.

Turn on the Burner

- Press the ON/OFF Key on the Transmitter. The display will show all the active icons. At the same time, the Receiver will activate the Pilot Ignitor. First the pilot will ignite, followed shortly by the burner. A single “beep” from the Receiver will confirm reception of the command.

Turn off the Burner

- Press the ON/OFF Key. The display will show only the room temperature and icon. At the same time, the Receiver will deactivate the call for heat and the burner will shut down. Fig. 64. A single “beep” from the Receiver will confirm reception of the command.

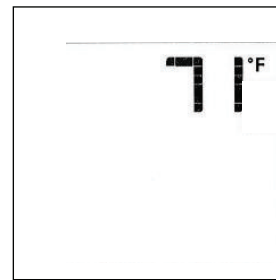


Figure 64. Burner shut-down



Figure 65. Burner OFF.

Remote Burner Control

There are six flame levels available.

- With the system ON, and the burner flame level at maximum, press the Down Arrow Key once to reduce the flame height by one step. Each time the Down Key is pressed, the flame will step down until the burner is finally turned off. Fig. 65.
- The Up Arrow Key will increase the flame height each time it is pressed. If the Up Arrow Key is pressed while the system is on but the flame is off, the flame will come on in the High position as in figs. 66-68. A single “beep” will confirm reception of the command.
- The Front and Rear Burners are activated by using the Mode Key to index to the Split Flow icon. Press the Up Arrow Key to turn it ON. Fig. 69. Press the Down Arrow Key to turn it OFF. A single “beep” will confirm reception of the command.

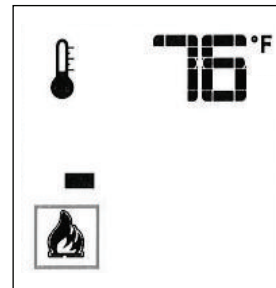


Figure 66. Flame Level 1.

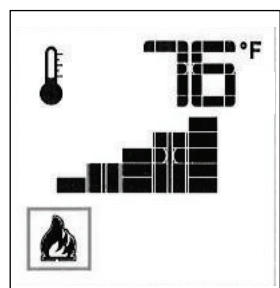


Figure 67. Flame Level 5.



Figure 68. Flame Level 6.

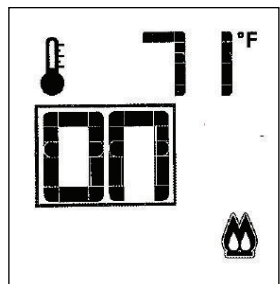


Figure 69. Split Flame.

Room Thermostat (Transmitter Operation)

The Remote Control can operate as a room thermostat. The thermostat can be set to a desired temperature to control the comfort level in a room.

- To activate this function, press the Thermostat Key. The display will indicate that the room thermostat is “ON” and the current Set Temperature is now displayed. Fig. 70.
- To adjust the Set Temperature, press the Up or Down Arrow Keys until the desired Set Temperature is displayed. Fig. 71.

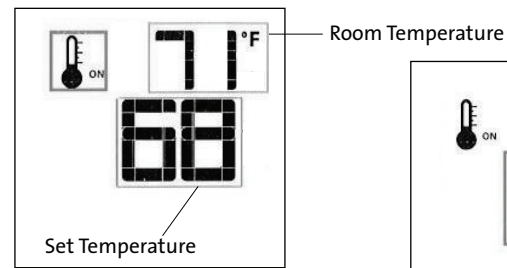


Figure 70. Thermostat ON.

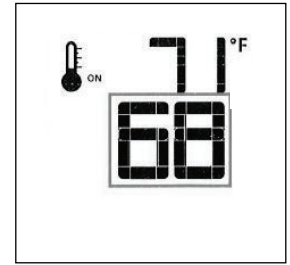


Figure 71. Change Set Temperature.

SMART Thermostat Function

This function adjusts the flame intensity according to the difference in the Set Point temperature and the actual room temperature. As the room temperature gets closer to the Set Point, the Smart Function will modulate flame intensity down.

- To activate this function, press the Thermostat Key until the word “SMART” appears to the right of the thermometer bulb icon. Fig. 72.
- To adjust the temperature, press the Up or Down Arrow Keys until the desired Set Temperature is displayed. Fig. 73.

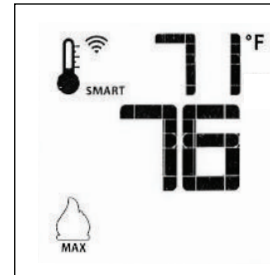


Figure 72. Smart Mode

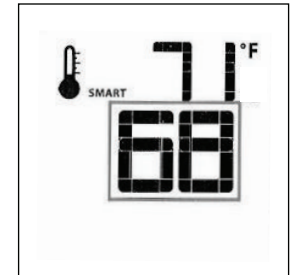


Figure 73. Smart Set Temp.

Fan Control

The fan speed can be adjusted through six settings. To activate this function, press the Mode Key to index to the Fan Control icon. See fig. 74. The fan will not function at all if it is not first set to ON.

- Use the Up/Down Arrow Keys to turn ON, OFF, or adjust the fan speed. Fig. 75. A single “beep” will confirm reception of the command. After a 5 minute interval, the fan will power up to its highest speed and then modulate down to the established fan speed setting. The fan will continue to operate for 12 minutes after the burner is turned off. Manual speed control is not available when the SMART Thermostat is ON.



Figure 74. Fan Mode.

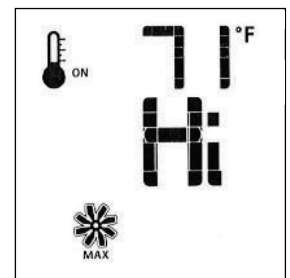


Figure 75. Fan Speed.

Accent Lamp Control

- With the Remote ON, press the Mode Key to index to the Lamp icon. Figs. 76-77.
- Pressing the Up Arrow Key will turn the Lamp ON. Press the arrow keys to adjust the brightness.
- Pressing the Down Arrow Key will turn the Lamp OFF.

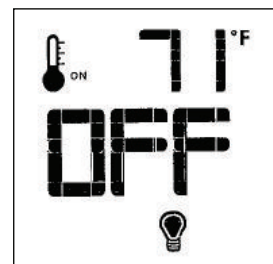


Figure 76. Lamp Control.

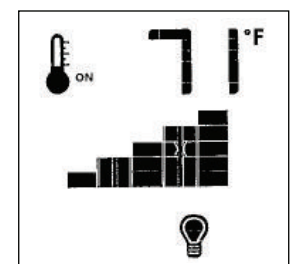


Figure 77. Lamp ON.

Child Safety Lock

This function will lockout the Transmitter to prevent unsupervised operation.

- To activate the Lock, press the Mode key and UP Key at the same time. Fig. 78.
- To de-activate the Lock, press the Mode Key and UP Key at the same time.

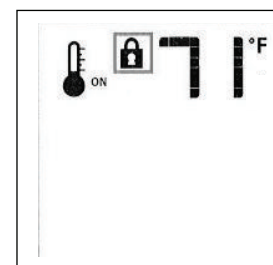


Figure 78. Lock ON.

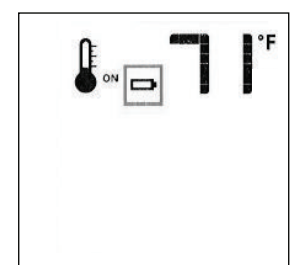


Figure 79. Low Battery. See page 34.

Maintenance

CAUTION:

THE IGNITION SYSTEM OF THIS APPLIANCE CARRIES LIVE VOLTAGE. ALWAYS TURN OFF THE GAS SUPPLY TO THE INSERT AND DISCONNECT THE POWER SOURCE BEFORE ANY SERVICE WORK IS PERFORMED, INCLUDING BATTERY REPLACEMENT.

With proper care and maintenance, your appliance will provide you with years of enjoyment. If you experience any problem with your fireplace insert, contact your Jøtul Authorized Dealer for assistance.

KEEP THIS MANUAL FOR REFERENCE AND MAKE IT AVAILABLE TO ANYONE USING OR SERVICING THE INSERT.

This appliance and venting system should be inspected before use and at least annually by a qualified service technician

General Cleaning

- Vacuum the front and back of the Safety Screen whenever dust or pet hair may be evident.
- Vacuum the controls area under the firebox at least monthly or more frequently if pet hair is in the environment. Always keep the appliance area clear and free from combustible materials, gasoline and other flammable liquids. ALWAYS be sure the insert is cold and NO hot embers or sparks are present before using a vacuum cleaner.
- The firebox should be vacuumed annually. Inspect the pilot assembly for corrosion and have any damaged components replaced by a qualified service technician. Remove any debris from burner ports, particularly the pilot carry-over ports. See fig. 50, page 24. Use a brush attachment to vacuum the log set.

Gasket Inspection

- Inspect the glass gasket annually. Examine the gasket for signs of deterioration or stiffness and confirm that the gasket maintains a positive seal. This is important to prevent combustion gases escaping into the room. Replace the gasket if necessary. Refer to the replacement process on page 35 and the parts list on page 40, fig. 87.

Accent Lamp Replacement

1. Remove the cast iron overlay assembly, backer plate, and glass frame.,
2. Remove the lamp fixture and bulb receptacle (three screws). See fig. 88, pg. 40. Replace with 222943 130V, 50W light bulb.
3. **Handle the new bulb with gloves. Skin oils will cause the bulb to fail prematurely.** If you touch the bulb with your bare skin, wipe it clean with a soft cloth.
4. Replace components previously removed.

Battery Replacement

A Low Battery condition is indicated by an audible “double beep” signal from when a command is transmitted.

1. Disconnect electrical power from the appliance.
2. Remove the cast iron overlay.
3. The battery box located in the right side control compartment. Depress the cover plate tabs to open the box. Install four new AA batteries noting the polarity indicated on the front of the box.

CAUTION:

ALWAYS DISCONNECT ELECTRICAL POWER WHEN SERVICING THIS APPLIANCE.

LABEL ALL WIRES PRIOR TO DISCONNECTION WHEN SERVICING THE CONTROLS. WIRING ERRORS CAN CAUSE IMPROPER AND DANGEROUS OPERATION. ALWAYS VERIFY PROPER OPERATION AFTER SERVICING THE APPLIANCE.

Glass Care

Moisture condensation is a normal occurrence with gas appliances and particulate accumulation may appear on the inside surface to the glass. Use a dampened, soft cloth to clean the glass and polish with a dry, soft towel. Specially-formulated ceramic glass cleaner may also be used.

DO NOT CLEAN GLASS WHEN IT IS HOT.

DO NOT USE ABRASIVE OR AMMONIA-BASED CLEANING SOLUTIONS. TAKE CARE TO NOT SCRATCH THE GLASS SURFACE.

Glass Replacement

To remove the glass panel or glass gasket:

1. Use the Latch Tool to release the two glass frame latches on top of the firebox.
2. Swing the bottom of the glass frame out and lift up to disengage it from the firebox.
3. Lay the assembly on a flat surface and use a flat blade screwdriver or pliers to pry up the four steel tabs that secure the glass panel at the corners of the frame.
4. Install the new glass panel and gasket in the glass frame and secure with the steel tabs. Do not over-tighten the tabs as that could break the glass.

ALWAYS USE JØTUL AUTHORIZED PARTS. NEVER SUBSTITUTE ANY OTHER PARTS.

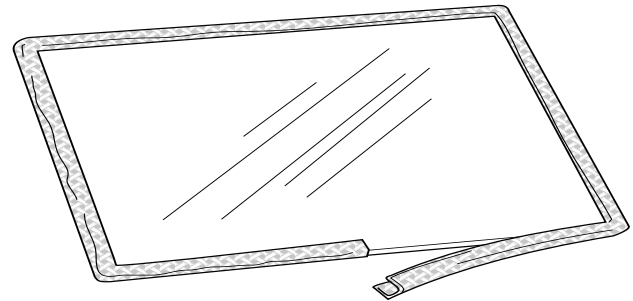


Figure 80. Gasket application, PN 129124.

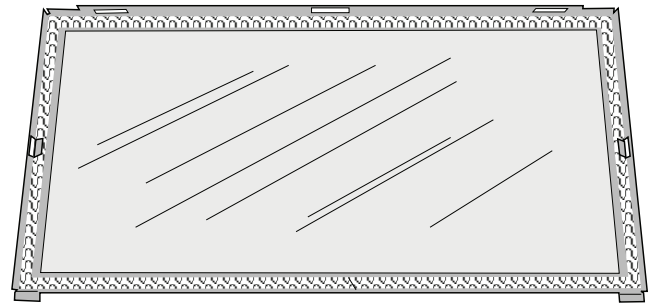


Figure 81. Glass Replacement. Bend tabs to secure panel.

WARNING:

OBSERVE CAUTION NEAR THE GLASS. THE GLASS PANEL MAY SHATTER IF STRUCK WITH AN OBJECT. ALWAYS HANDLE THE GLASS PANEL WITH CARE.

WARNING:

INSPECT THE GLASS SURFACE FOR SCRATCHES AS THESE CAN WEAKEN THE PANEL TENSILE STRENGTH. REPLACE THE PANEL IF ANY SCRATCHES ARE EVIDENT. USE ONLY JØTUL PN 157834. DO NOT USE ANY OTHER TYPE OF GLASS.

REPLACEMENT OF THE GLASS SHOULD BE DONE BY A LICENSED OR QUALIFIED SERVICE PERSON. USE ONLY REPLACEMENT GLASS PROVIDED BY YOUR AUTHORIZED JØTUL DEALER. NEVER SUBSTITUTE ANY OTHER COMPONENTS.

Jøtul GI 635 DV IPI Replacement Parts

**ONLY USE
REPLACEMENT PARTS
PROVIDED BY AN
AUTHORIZED
JØTUL DEALER.**

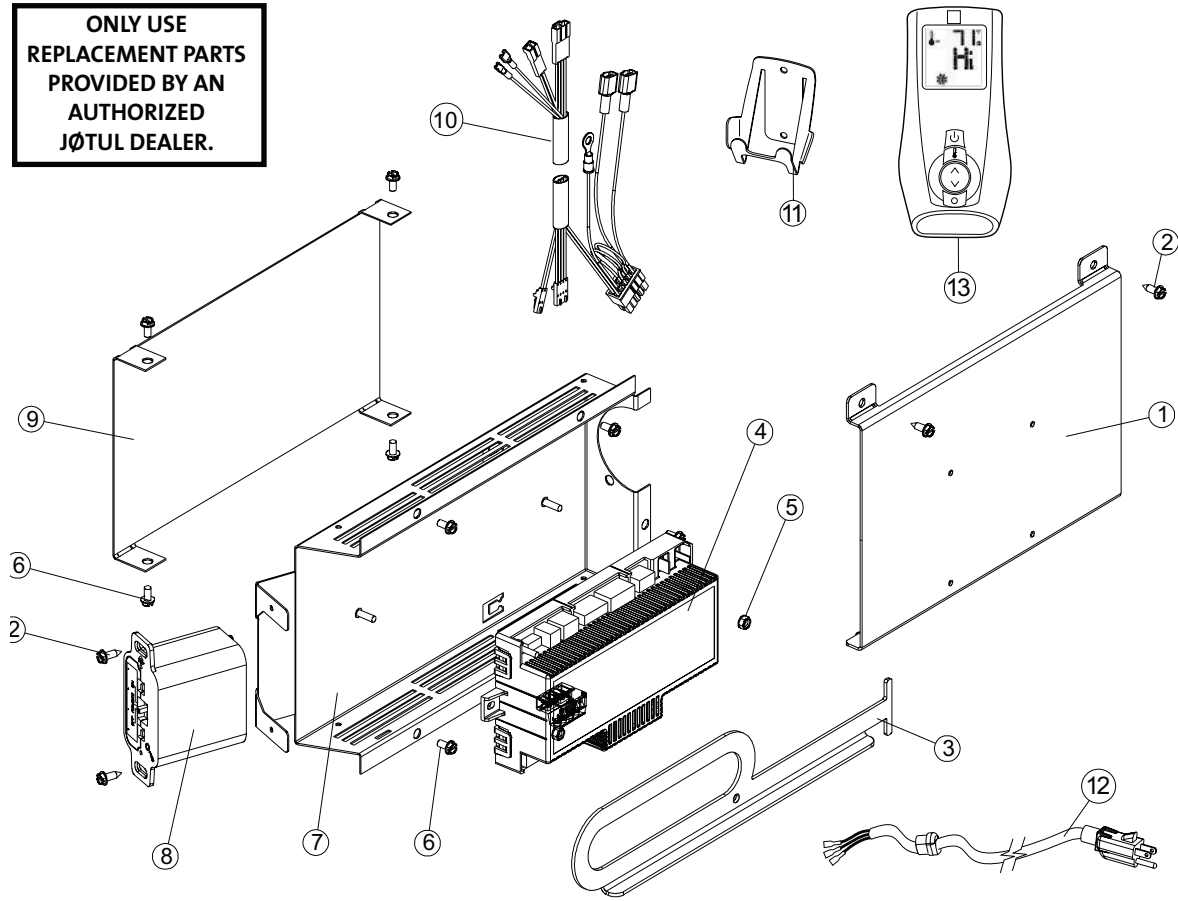


Figure 82.
Controls components, right side compartment.

No.	Part Number	Description
1	225797	Controls, Skid Plate
2	117917	Screw, HWH SMA #8 x 1/2" SL Blk Oxide
3	225694	Latch Handle
4	157634	Replacement Proflame 2 Board w/ labels
5	118055	Kepnut, M4 Ext. Tooth Lock washer
6	117999	Screw, #8 x 3/8", SL SMA Type B, Zinc
7	225495	IFC Bracket
8	225917	Proflame 2 Battery Box
9	225497	IFC Heat Shield
10	225682	Ext. Wire Harness, Proflame 2, Split Flow
11	223951BKP	Replacement Remote Wall Bracket / Blk PC
12	157492	Replacement Power Cord, 18 AWG - 10 ft.
13	157495	Replacement Multifunction Remote Transmitter
14.	157907	Replacement Battery Wire Harness - not illustrated

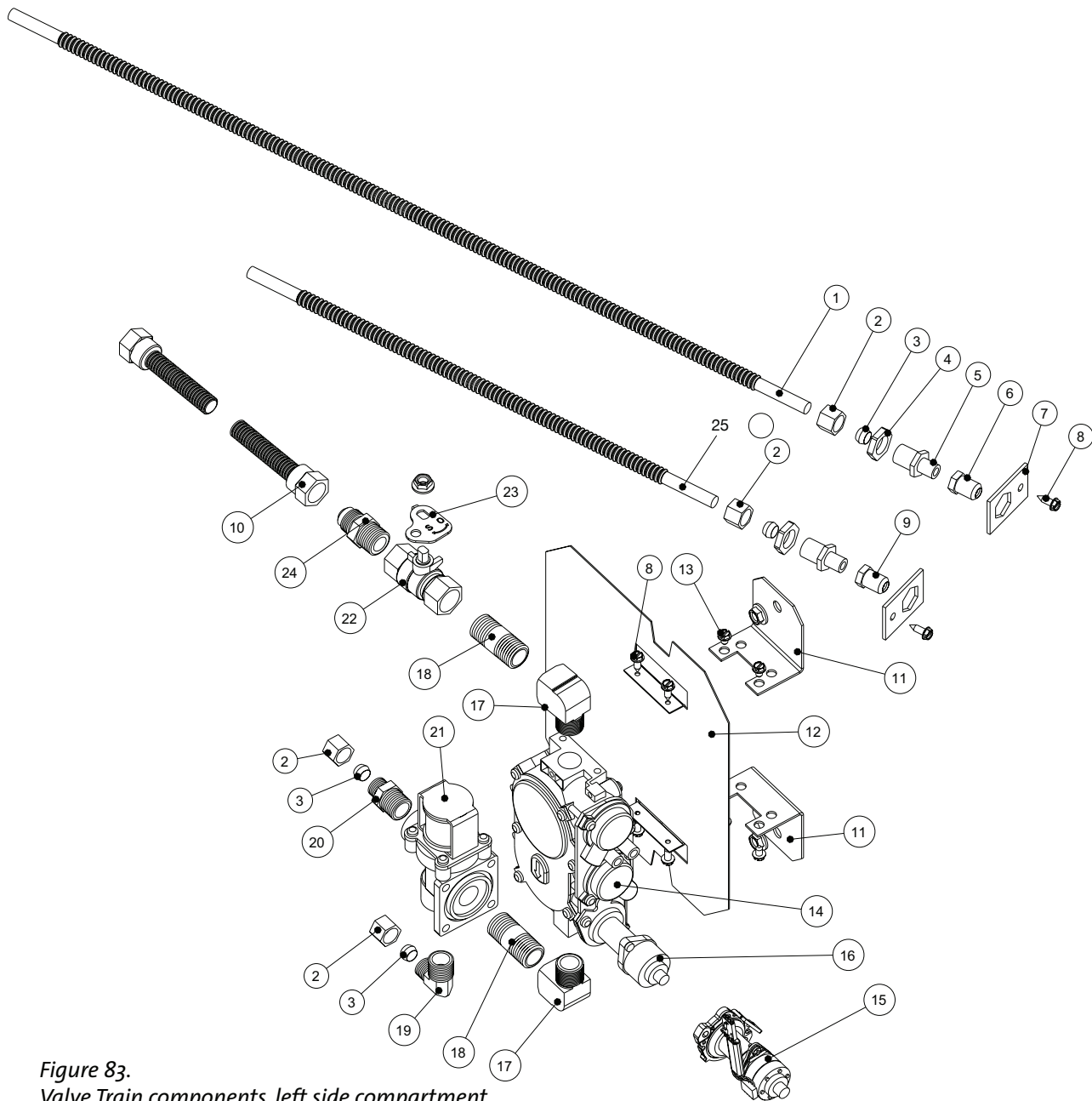


Figure 83.
Valve Train components, left side compartment.

No.	Part Number	Description
1	225676	Flex Tube, Main Gas - 5/16" OD x 24"
2	129464	Compression Nut - 5/16"
3	129463	Compression Sleeve - 5/16"
4	129152	Jam Nut - Orifice Holder Assembly
5	220643	Orifice Holder, Straight
6	220976	Right Orifice, #47, NG (Rear Burner)
	22185	Right Orifice, 1.20 mm, LP (Rear Burner)
7	225663	Retainer, Orifice Holder
8	117917	Screw, #8 x 1/2" HWH SMA Black Oxide
9	225762	Left Orifice, 2.25 mm, NG (Front Burner)
	129804	Left Orifice, 1.40 mm, LP (Front Burner)
10	129707	Flex Tube w/ Connectors - 3/8" OD x 36"
11	225526	Valve Bracket

No.	Part Number	Description
12	225527	Valve Heat Shield
13	118214	Screw, #8 x 1/4", Taptite, SLHWH, SZPL
14	225792	Valve, NG / 50% TD, Proflame w/ Stepper Motor
15	157821	Fuel Conversion Kit, Motorized / LP 50% TD
16	157822	Fuel Conversion Kit, Motorized / NG 50% TD
17	222941	Elbow, Brass, Street, 90° 3/8" NTP
18	223214	Nipple, Iron, 3/8" NTP x 1.5" Long
19	129129	Elbow, 90° Brass, 3/8" NTP to 5/16" Dia. Compression
20	220044	Adaptor, Brass, 3/8" NPT to 5/16" Dia. Compression
21	222923	Proflame Splitflow Solenoid Valve
22	222407	Valve, Straight 3/8" FIP x 3/8" FIP
23	225498	Valve Handle
24	223215	Adaptor, Straight, Brass, 3/8" NTP x 3/8" Flare
25	129390	Flex Tube, Main Gas - 5/16" OD x 14"

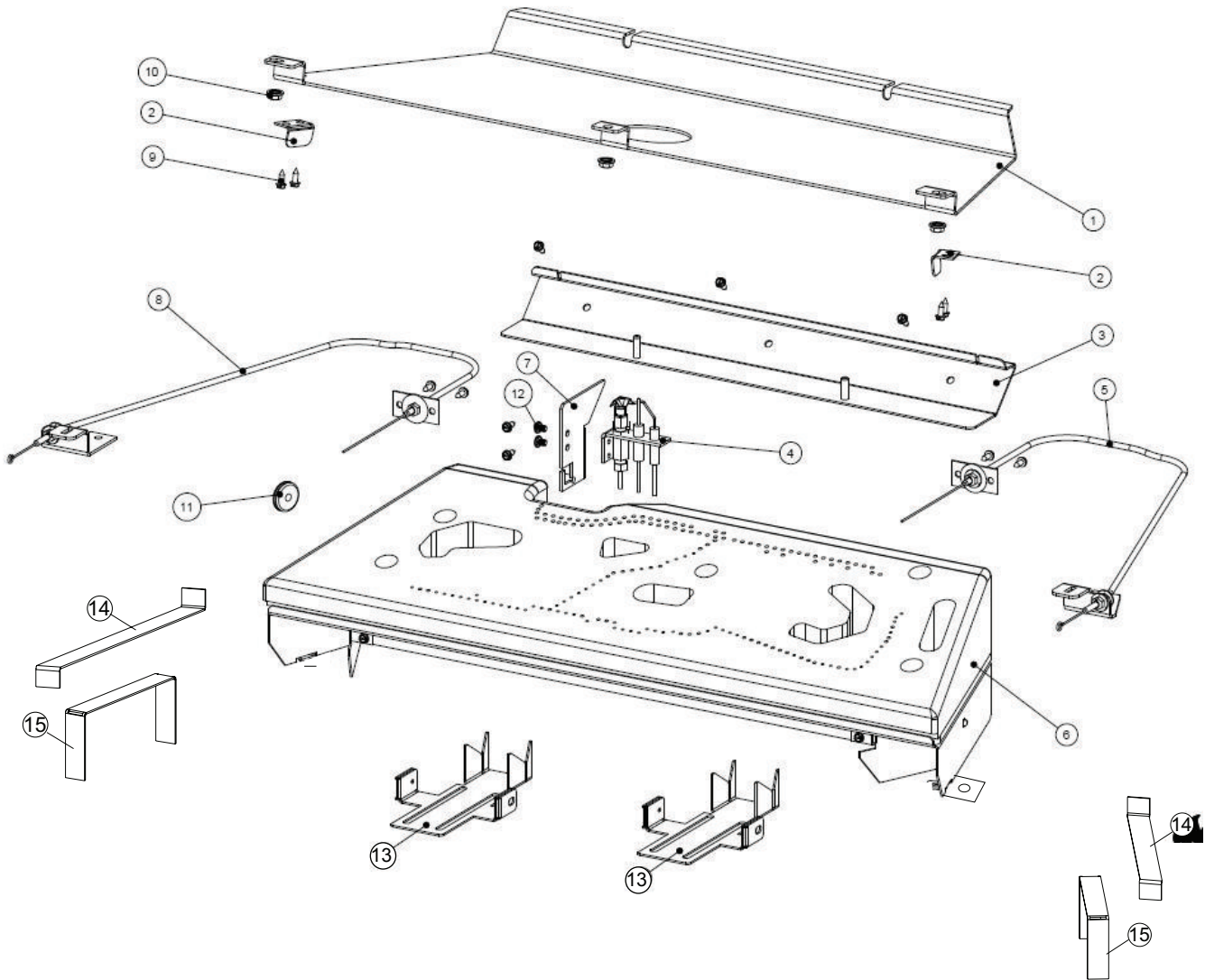


Figure 84. Internal firebox components.

No.	Part Number	Description
1	22549092	Baffle
2	225693	Side Panel Retainer
3	22551192	Rear Log Support
4	225681	Pilot Assembly / Integrated Dual Fuel
5	157831	Right Cable Assembly
6	157744	Burner Assembly
7	225648	Pilot Bracket
8	157830	Left Cable Assembly
9	117917	Screw, #8 x 1/2" HWH SMA
10	117968	Hex Nut, M6 Serrated Flange
11	225525	Pilot Grommet, Silicone
12	118279	Screw, 10-32 x 1/4" Pan Head
13	225970	Air Shutter Tray (Handle)
14	22592992	Glass Support Shelf, 2
15	22592292	Brick Panel Shelf, 2

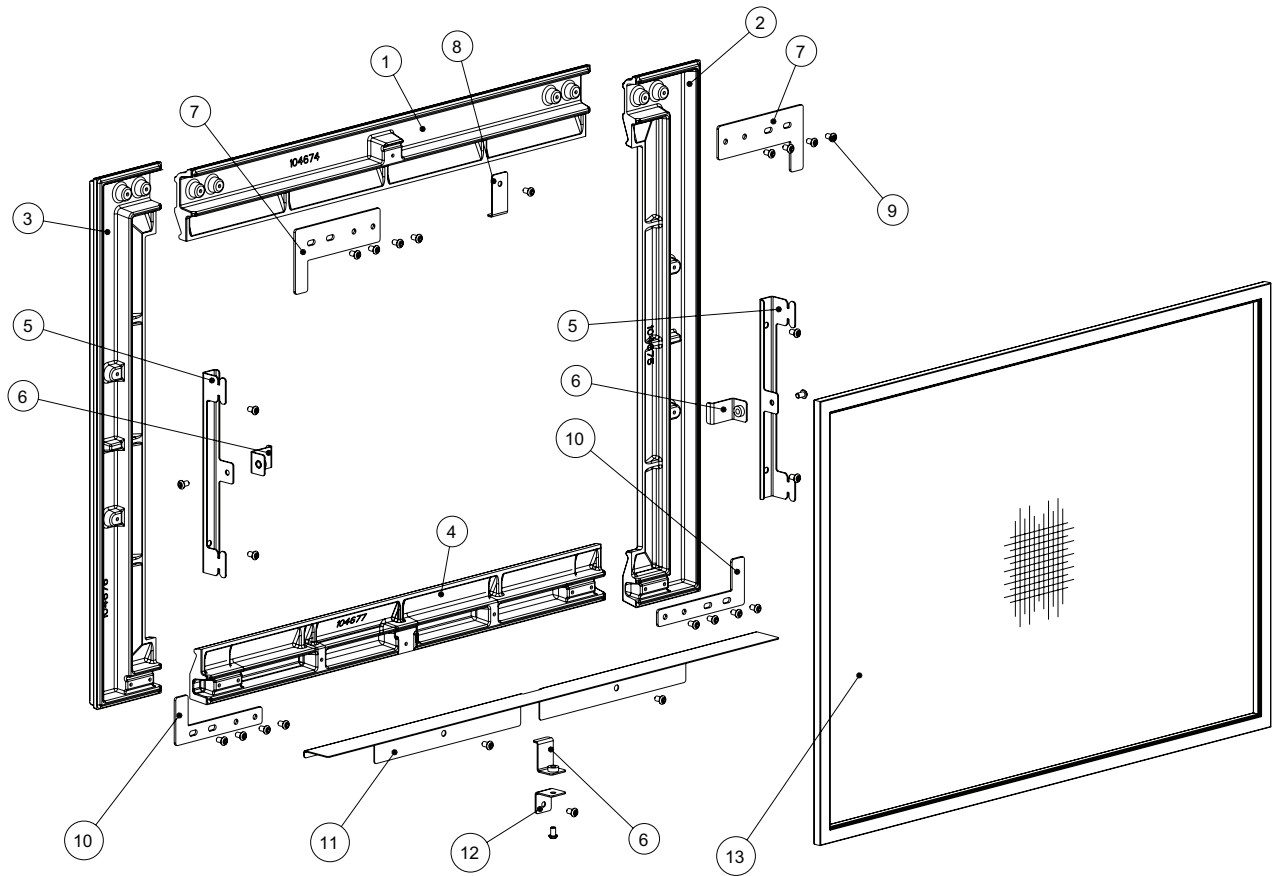
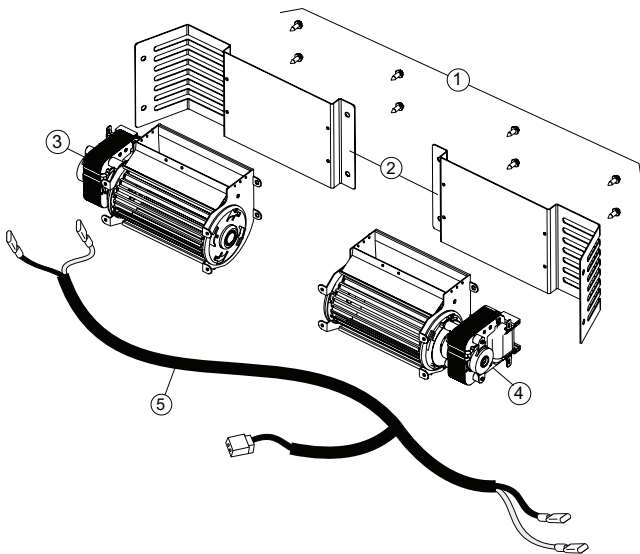


Figure 85. GI 635 Cast Iron and Steel Overlay and Safety Screen Assembly

No.	Part Number	Description
1	10467492	Replacement Overlay Frame, Top, MB
	157847	Replacement Overlay Frame, Top, BRM
2	10467592	Replacement Overlay Frame, Left, MB
	157848	Replacement Overlay Frame, Left, BRM
3	10467692	Replacement Overlay Frame, Right, MB
	157849	Replacement Overlay Frame, Right, BRM
4	10467792	Replacement Overlay Frame Bottom, MB
	157850	Replacement Overlay Frame Bottom, BRM
5	22578392	Hanging Bracket (2)
6	22578592	Adjustable Screen Retainer (3)
	22585692	Adjustable Screen Retainer, Enamel (3)
7	225786	Top Corner Bracket, (2)
	225851	Top Corner Bracket, Enamel
8	22578492	Top Screen Retainer
9	117978	Screw, M6 x 10 Button Head (29)
10	225787	Bottom Corner Bracket (2)
	225852	Bottom Corner Bracket, Enamel (2)
11	22578892	Bottom Shade
12	22578292	Bulkhead Screen Adjustor
13	225672	Safety Screen Frame

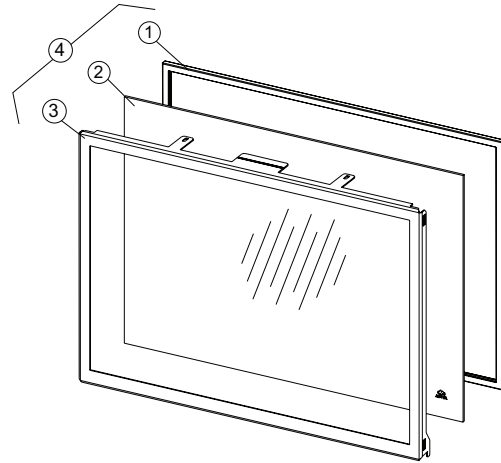
No.	Part Number	Steel Overlay Parts
	225988BKP	Replacement Steel Overlay, Black Powder Coat
	225988BZP	Replacement Steel Overlay, Bronze Powder Coat
	225988JIP	Replacement Steel Overlay, Jotul Iron Powder Coat
5	225989	Hanging Bracket
	225991	Screen Retainer, Top
6	225992BKP	Adjustable Screen Retainer, Black Powder Coat
	225992BZP	Adjustable Screen Retainer, Bronze Powder Coat
	225992JIP	Adjustable Screen Retainer, Jotul Iron Powder Coat
11	225993	Bottom Shade
13	225987	Screen, Quanex InvisiMesh

Figure 86. Blower Assembly



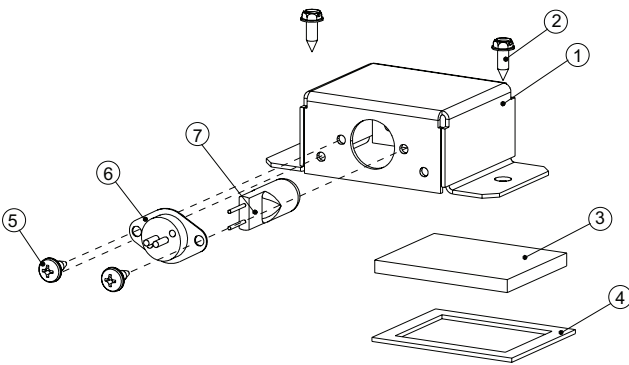
No.	Part Number	Description
1	117917	Screw, HWH SMA 8 x 1/2 SL Blk Oxide
2	225494	Blower Bracket, Left and Right
3	157964	Blower, 95 cfm Crossflow, Left
4	157963	Blower, 95 cfm Crossflow, Right
5	157832	Blower Wire Harness

Figure 87. Glass components.



No.	Part Number	Description
1	129124	Gasket, Fiber Glass w/ Graphite, .25" x 1.25", 8.5 ft.
2	157834	Glass Panel w/ Gasket
3	22548292	Glass Frame, Matte Black
4	157739	Replacement Frame w/ Glass Assembly (inc. 1,2,3)

Figure 88. Lamp Assembly



No.	Part Number	Description
1	225491	Light Fixture, Matte Black
2	117917	Screw, HWH SMA #8 x 1/2" SL Blk Oxide
3	222974	Glass, Ceramic, Light Fixture
4	222977	Gasket, Light Fixture
5	117967	Screw, Pan Head, SMA #7 x 3/8"
6	157601	Replacement Holder Harness Connector
7	222943	Light Bulb, 130V, 50 Watt

Appendix

Approved Vent Manufacturers

The Jøtul GI 635 DV IPI fireplace insert is approved for installation with listed 3-inch diameter flexible vent components supplied by the manufacturers listed below.

Use parts of one manufacturer only - DO NOT MIX VENT COMPONENTS FROM DIFFERENT MANUFACTURERS IN THE SAME SYSTEM.

MG DuraVent, Inc.

P.O. Box 1510
Vacaville, CA 95696-1510 800-835-4429

Selkirk Corporation

1301 W. President George Bush Hwy, Suite 330
Richardson, TX 75080-1139 800-992-8368

American Metal Products (Amerivent)

8601 Hacks Cross Rd.
Olive Branch, MS 38654 800-423-4270

Security Chimneys International Limited

2125 Monterey, Laval, Québec
Canada, H7L 3T6 450-973-9999

Metal-Fab, Inc.

P.O. Box 1138
Wichita, KS 67201 316-943-2351

Industrial Chimney Corp. (Excel Direct Vent)

400 J-F Kennedy
St. Jerome, (Quebec)
Canada, J7Y 4B7 450-565-6336

Bernard Dalsin Manufacturing Co. (Pro Form)

5205 208th Street West
Farmington, MN 55024 651-460-1080

Re-installing the Burner Assembly

Follow this procedure any time the burner assembly has been removed from the firebox.

1. **CONFIRM AIR SHUTTER AND TRAY POSITIONS:**
Be certain that each air shutter on the underside of the burner is pushed fully forward (toward the front). Also check that the shutter trays on the firebox floor, (fig 14, A) are pushed fully forward (toward the front).
2. Tilt the burner assembly back as shown in below to engage it with the injectors in the back wall and the shutter trays on the firebox floor. Settle the assembly on the floor engaging the front retainer brackets (A) with the adjacent floor studs (B) at each side.
Properly positioned, the burner assembly will be level across the front and back and locked in place.
3. Operate each side air shutter cable to confirm that both shutters move freely through the full range of travel. See fig. 16, pg. 17 and fig. 54, pg. 27.
4. Replace the two Side Panel Shelves between the burner and the walls.

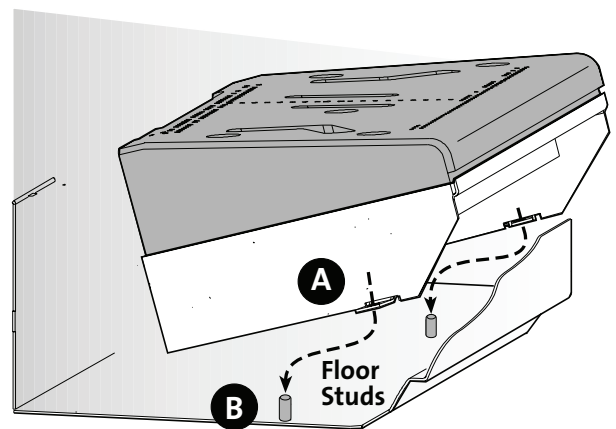


Figure 89. Burner installation.

Proflame 2 Wiring Diagram

CAUTION:

ALWAYS DISCONNECT ELECTRICAL POWER WHEN SERVICING THIS APPLIANCE.

LABEL ALL WIRES PRIOR TO DISCONNECTION WHEN SERVICING THE CONTROLS. WIRING ERRORS CAN CAUSE IMPROPER AND DANGEROUS OPERATION. ALWAYS VERIFY PROPER OPERATION AFTER SERVICING THE APPLIANCE.

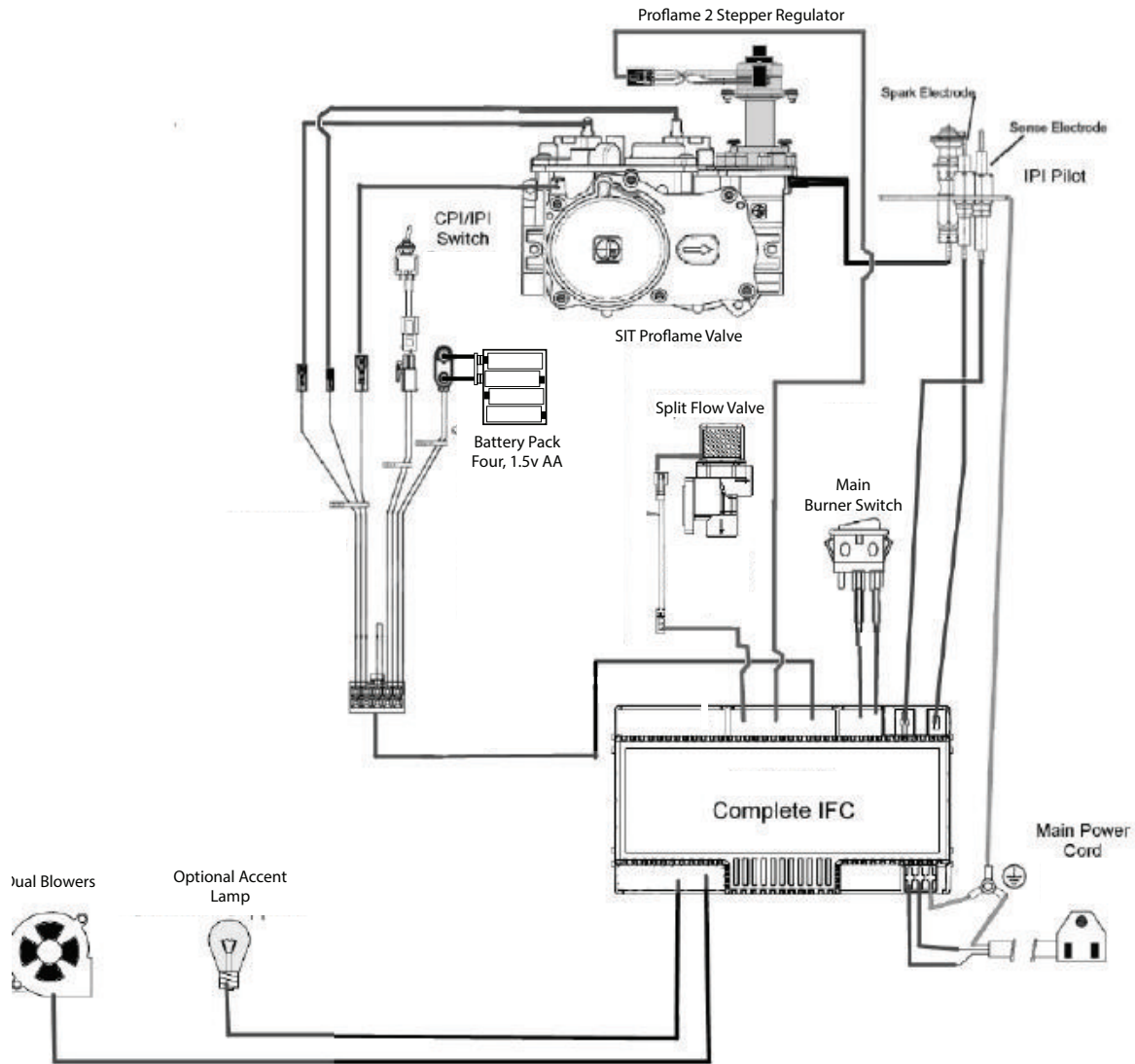


Figure 90. GI 635 DV IPI Proflame 2 Wiring Diagram.

Jøtul GI 635 DV IPI Fireplace Insert Limited Warranty

Effective January 1, 2013.

This warranty policy applies to gas products identified by Jøtul trade names, as set forth below.

A. LIMITED FIVE YEAR WARRANTY - Cast Iron, Steel Doors, Surround Components, Firebox:

Jøtul North America Inc. (JØTUL) warrants, to the original retail purchaser, that those components of the Jøtul Gas Stove or Fireplace Insert specified above will be free of defects in material and workmanship for a period of five (5) years from the date of purchase. This warranty is subject to the terms, exclusions and limitations set forth in the following text.

B. LIMITED TWO YEAR WARRANTY - Burner, Burner Treatments, Firebox Panels:

JØTUL warrants, to the original retail purchaser, that those components of the Jøtul Stove or Fireplace Insert specified above will be free of defects in material and workmanship for a period of two (2) years from the date of purchase. This warranty is subject to the terms, exclusions, and limitations set forth in the following text.

C. LIMITED TWO YEAR WARRANTY - Enamel Finish:

JØTUL warrants, to the original retail purchaser, the enamel finish on cast iron components of the Jøtul Stove or Fireplace Insert specified above against peeling or fading for a period of two (2) years from the date of purchase. This warranty is subject to the terms, exclusions and limitations set forth below.

D. LIMITED ONE YEAR WARRANTY - Gas & Electrical Components (controls, plumbing, valve, blower):

JØTUL warrants, to the original retail purchaser, that those components of the Jøtul Gas Stove or Fireplace Insert specified above will be free of defects in material and workmanship for a period of one (1) year from the date of purchase. This warranty is subject to the terms, exclusions, and limitations set forth in the following text.

JØTUL will repair or replace (including parts & labor), at its option, any of the above components determined by JØTUL to be covered by this warranty. You must, at your own expense, arrange to deliver or ship the component to an authorized Jøtul dealer and arrange for pickup or delivery of the component after repairs have been made. If, upon inspection, JØTUL determines that the component is covered by this warranty, the repair or replacement will be made as set forth above. This warranty is not transferable and is extended only to, and is solely for the benefit of, the original retail purchaser of the Jøtul Gas Stove or Fireplace Insert. This paragraph sets forth the sole remedy available under this warranty in the event of any defect in the Jøtul Gas Stove or Fireplace Insert.

The warranty period for any replaced component will be the remaining unexpired portion of the warranty period for the original component.

Please retain your dated sales receipt in your records as proof of purchase.

EXCLUSIONS AND LIMITATIONS

NOTICE: This warranty is void if installation or service is performed by someone other than an authorized installer, service agency or gas supplier, or if installation is not in conformance with the installation and operating instructions contained in this owner's manual or local and/or national fire and building regulations. A listing of local authorized installers, service agencies and gas suppliers can be obtained from the National Fireplace Institute at <http://www.nficertified.org/>.

This warranty does not cover the following:

1) Repair or replacement of parts that are subject to normal wear and tear during the warranty period or to parts that may require replacement in connection with normal maintenance. These parts include gaskets and glass (except to the extent such parts suffer damage from thermal stress).

2) Damage due to incorrect installations not in conformance with the installation instructions contained in this owner's manual or local and/or national fire and building regulations.

3) Damage due to service performed by an installer, service agency or gas supplier, unless otherwise agreed to in writing by JØTUL.

4) Labor or other costs associated with the repair of gas controls, plumbing, burners, log set, or sheet metal firebox beyond the warranty period.

5) Damage caused by unauthorized modification, use or repair.

6) Damage to enameled surfaces caused by improper operation or misuse, including use that is not in conformance with the operating instructions contained in this owner's manual. Such damage can typically be identified by bubbling, cracking, or discoloration of the enamel finish.

7) Costs incurred by travel time and/or loss of service.

8) Damage incurred while the Jøtul Gas Stove or Fireplace Insert is in transit.

IN NO EVENT SHALL JØTUL, ITS PARENT COMPANY, SHAREHOLDERS, AFFILIATES, OFFICERS, EMPLOYEES, AGENTS OR REPRESENTATIVES BE LIABLE OR RESPONSIBLE TO YOU FOR ANY SPECIAL, INDIRECT, INCIDENTAL, CONSEQUENTIAL, PUNITIVE OR OTHER SIMILAR DAMAGES, INCLUDING, BUT NOT LIMITED TO, LOST PROFITS, LOST SALES, INJURY TO PERSON OR PROPERTY, OR DAMAGES TO A STRUCTURE OR ITS CONTENTS, ARISING UNDER ANY THEORY OF LAW WHATSOEVER. ALL IMPLIED WARRANTIES, INCLUDING THE IMPLIED WARRANTIES OF MERCHANTABILITY AND FITNESS FOR A PARTICULAR PURPOSE, OR OTHERWISE, ARE LIMITED IN DURATION TO THE LENGTH OF THIS WRITTEN WARRANTY. EXCEPT AS EXPRESSLY SET FORTH HEREIN, JØTUL MAKES NO ORAL, WRITTEN OR OTHER WARRANTY WITH RESPECT TO JØTUL GAS STOVES OR FIREPLACE INSERTS.

Some states do not allow the exclusion or limitation of incidental or consequential damages, or limitations on the length of implied warranties. Therefore, the above exclusions or limitations may not apply to you. This warranty gives you specific legal rights, and you may have other rights, which vary from state to state.

JØTUL reserves the right to discontinue, modify or change the materials used to produce the Jøtul, Scan, or Atra Gas Stove or Fireplace. JØTUL shall have the right to replace any defective component with substitute components determined by JØTUL to be of substantially equal quality and price.

The dollar value of JØTUL's liability for breach of this warranty shall be limited exclusively to the cost of furnishing a replacement component. JØTUL shall not in any event be liable for the cost of labor expended by others in connection with any defective component. Any costs or expenses beyond those expressly assumed by JØTUL under the terms of this warranty shall be the sole responsibility of the owner(s) of the Jøtul Gas Stove or Fireplace Insert. No dealer, distributor, or other person is authorized to modify, augment, or extend this limited warranty on behalf of JØTUL. NO MODIFICATION OR CHANGE TO THIS WARRANTY WILL BE EFFECTIVE UNLESS IT IS MADE IN A WRITTEN DOCUMENT MANUALLY SIGNED BY AN AUTHORIZED OFFICER OF JØTUL.

An authorized installer may have been provided with certain information related particularly to the Jøtul Gas Stove or Fireplace Insert; however, no authorized installer or other person who may service the appliance is an agent of JØTUL. No inference should be made that JØTUL has tested, certified, or otherwise pronounced any person as qualified to install or service the appliance. JØTUL shall not be liable or otherwise responsible for any error or omission by a person installing or servicing a Jøtul Gas Stove or Fireplace Insert.

If you believe your Jøtul Gas Stove or Fireplace Insert is defective, you should contact your nearest authorized Jøtul dealer, who will process a warranty claim. IN ORDER TO QUALIFY FOR WARRANTY COVERAGE, JØTUL MUST RECEIVE NOTICE OF A POSSIBLE DEFECT WITHIN SIXTY (60) DAYS OF THE DATE THE DEFECT IS FIRST DISCOVERED, OR REASONABLY COULD HAVE BEEN DISCOVERED.

This warranty is given by Jøtul North America, Inc.,
55 Hutcherson Drive, Gorham, Maine 04038 USA

This page is intentionally blank.

This page is intentionally blank.

This page is intentionally blank.

LIGHTING INSTRUCTIONS FOR YOUR SAFETY, READ BEFORE LIGHTING.


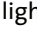
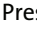
WARNING:
IF YOU DO NOT FOLLOW THESE INSTRUCTIONS EXACTLY, A FIRE OR EXPLOSION
MAY RESULT CAUSING PROPERTY DAMAGE, PERSONAL INJURY, OR LOSS OF LIFE.

- A. This appliance is equipped with an ignition device which automatically lights the pilot. Do **not** try to light the pilot by hand.
- B. **BEFORE LIGHTING**, smell all around the appliance area for gas. Be sure to smell next to the floor because some gas is heavier than air and will settle to the floor.

WHAT TO DO IF YOU SMELL GAS:

- Extinguish any open flame.
 - Open windows.
 - Do not light any appliance.
 - Do not touch any electrical switches.
 - Do not use any phone in your building.
 - Immediately call your gas supplier from outside of the house.
 - If your gas supplier cannot be reached, call the fire department.
- C. Do not use this appliance if any part has been under water. Immediately call a qualified service technician to inspect the appliance and to replace any part of the control system and any gas control which has been under water.

LIGHTING INSTRUCTIONS

1. **STOP!** Read the safety information above.
2. Set the Burner Switch to the "OFF" position.
3. **NOTE:** This appliance is equipped with an ignition device which automatically lights the pilot. **Do not try to light the pilot by hand.**
4. Wait five (5) minutes to clear out any gas. Then smell for gas, including near the floor. If you smell gas, **STOP!** Follow "B" in the safety information above. If you do not smell gas, go to the next step.
5. This appliance is intended to be operated by remote control. Set the Burner Switch to "REMOTE" to enable remote communication.
6. With the Remote Transmitter OFF, press the Mode button  then toggle UP/DOWN  to CPI mode. The pilot will light.
7. Press the Power button  to light the burner.
8. If the appliance will not operate, follow the instructions below "To Turn Off Gas To Appliance", and call your service technician or gas supplier.
9. See the Owner's Manual for more detailed remote control instructions.

BURNER SWITCH



REMOTE CONTROL KEYS



ON / OFF -
Press once, hear tone, backlight is ON.
Press again, hear tone backlight is OFF.



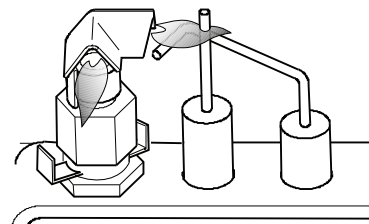
THERMOSTAT - Press for 3 choices:
ON: Manual thermostat control.
OFF: Manual burner control. T-stat is OFF.
Smart: automatic burner modulation.



UP / DOWN - Press UP arrow or
DOWN arrow to adjust thermostat,
flame, fan, and lamp.



MODE - Press to cycle between CPI
and IPI operation.



Pilot Light Assembly

TO TURN OFF GAS TO THE APPLIANCE:

1. Set the Remote thermostat to the lowest setting.
2. Set the Burner Switch to the "OFF" position.
3. Disconnect electric power to the appliance if service is to be performed.

CAUTION: Do not operate this appliance with the glass removed, cracked or broken. Replacement of the glass panel shall be done by a licensed or qualified service person.

ATTENTION: Ne pas utiliser l'appareil si la vitre est retirée, fissurée ou cassée. Confiez le remplacement de la vitre à un technicien d'entretien qualifié.

November 2016
139712_R06

This appliance must be installed in conformance with local and national building regulations. Before beginning the installation, it is important that these instructions be carefully read and understood. Jøtul maintains a policy of continuous product development. Consequently, products may differ in specification, color or type of accessories from those illustrated or described in various publications.



Jøtul North America
55 Hutcherson Drive
Gorham, Maine 04038-2634

Jøtul ASA
P.O. Box 1411
N-1602 Fredrikstad
Norway

www.jotul.us