

# EXTERIOR HEAT TRANSFER KIT

## #HTK-EXT

For use with models #CLW-40 & #CLW-72



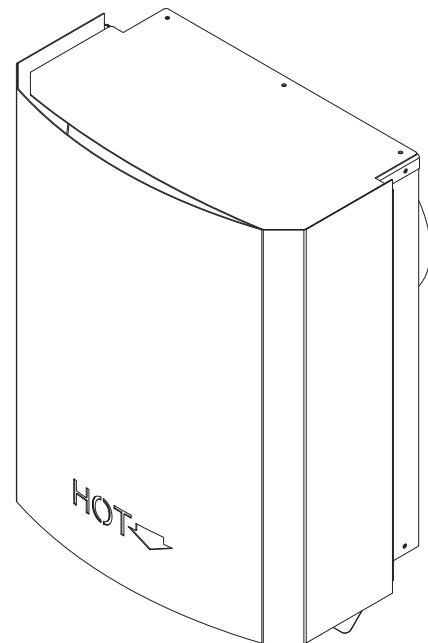
**INSTALLER:** Leave this manual with the appliance.  
**CONSUMER:** Retain this manual for future reference.

English and French installation manuals are available through your local dealer. Visit our website [www.kozyheat.com](http://www.kozyheat.com).

Les manuels d'installation en français et en anglais sont disponibles chez votre détaillant local. Visitez [www.kozyheat.com](http://www.kozyheat.com).



We suggest that our gas hearth products be installed and serviced by professionals who are certified in the U.S. by the National Fireplace Institute® (NFI) as NFI Gas Specialists.



### TABLE OF CONTENTS

1.0 INTRODUCTION.....	3
1.1 Introduction.....	3
1.2 Approvals.....	3
1.3 Installation.....	3
1.4 Replacement Parts.....	4
2.0 INSTALLATION .....	5
2.2 Termination Cap Framing.....	5
2.1 Rooftop Termination.....	5
2.3 Horizontal Termination Cap Clearances .....	6
2.4 Installation Instructions.....	7
3.0 ELECTRICAL REQUIREMENTS.....	11
3.1 Electrical Requirements .....	11
3.2 Electrical Installation.....	11

**READ ALL THESE STEPS BEFORE STARTING INSTALLATION. LEAVE THESE INSTRUCTIONS WITH THE APPLIANCE.**

This kit must be installed by a qualified installer, service agency, or gas supplier at the time of the heater installation. These instructions must be used in conjunction with the installation and operation manual provided with the appliance. Please read the appliance owner's manual completely before performing any procedures in these instructions.



# 1.0 INTRODUCTION

## 1.1 Introduction

The #HTK-EXT Exterior Heat Transfer Kit is designed to remove unwanted heat from your home.

The following model(s) allow a maximum installation of two heat transfer kits: #CLW-72

The maximum of two heat transfer kits can consist of up to (2) #HTK-INT, (2) #HTK-EXT, or one of each.

## 1.2 Approvals

The flexible ducts used with the #HTK-EXT feature are manufactured and marked to the requirements of UL-181, Class 1 air duct.

## 1.3 Installation

### 1.3.1 Installation Precautions

This device must be installed by a qualified installer in accordance with these instructions and in accordance with local codes, if any, and with National Electrical Code ANSI/NFPA 70, current edition.

The #HTK-EXT fan will generate sound during operation. The effects of the increased sound level can be minimized with careful planning during installation of the system.

**CAUTION:** Wear protective gloves and safety glasses during installation. Sheet metal edges are sharp.

Disconnect electrical power supply before performing any maintenance, repair, or electrical wiring.

**WARNING:** Failure to install, operate, and maintain the heat transfer system - exterior in accordance with manufacturer's instructions will result in conditions which may produce bodily injury and/or property damage.

### 1.3.2 Installation Guidelines

The discharge outlet of the #HTK-EXT must be directed down to prevent water infiltration.

Minimum Duct Run Length: 3 ft (914mm)

Maximum Duct Run Length: 25 ft (7.8m)

Clearance to flexible duct: 0 in

**IMPORTANT:** The insulated flexible pipe is zero clearance to combustibles but CANNOT be compressed into a smaller diameter.

**NOTE:** Support duct at intervals of no greater than 4 feet, with no more than 1/2" sag between supports as required by local code. Do not substitute any other duct work as a replacement for the provided insulated flexible duct.

### 1.3.3 Painting Requirements

The #HTK-EXT may be painted to a desired color, as long as the paint selected has sufficient temperature and environmental ratings.

- Thoroughly sand the existing coating prior to painting with sandpaper or steel wool.
- The front of the cap cover may be field-painted and cured up to 400 degrees Fahrenheit (204° C). All remaining parts of the cap may be painted but they may not be cured beyond 190°F (88°C) due to gaskets and components overheating.
- Certain areas of the cap surface may reach up to 600° F (316°C). Paints selected should have sufficient temperature ratings.
- Cap contains silicone sealant which could affect adherence of paint. Please advise local painter of silicone content.

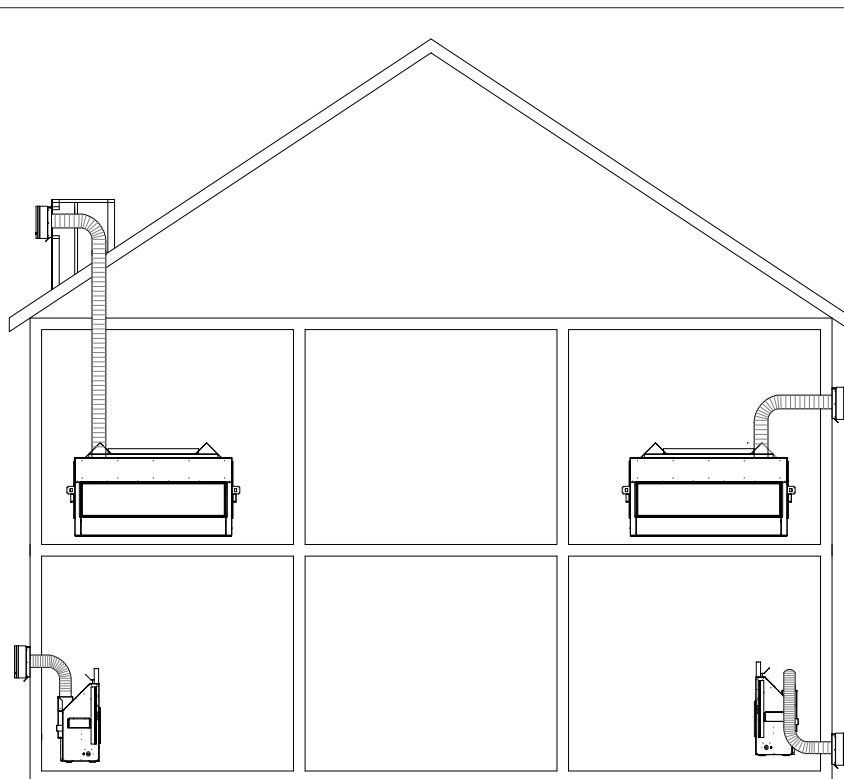


Figure 1.1, Possible Air Duct Locations/Terminations

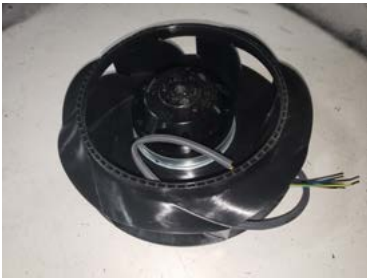
## 1.4 Replacement Parts

Fan Assembly	HTK-EXT-101
Cover Assembly	HTK-EXT-102
Vinyl Siding Shield	HTK-EXT-103
Electrical Box	HTK-EXT-104
Capacitor	HTK-EXT-105
Terminal Block	HTK-EXT-106
Speed Control Assembly	HTK-EXT-107
6" Insulated Flex Pipe	HTK-EXT-108
Band Clamp	HTK-EXT-109
HTK 6" Collar	HTK-EXT-110

### 1.4.1 Heat Transfer Kit Air Chute

- The HTK air chute is required when installing a #HTK-EXT.
- (1) air chute is needed per heat transfer kit.
- Order model specific air chute. Yours may look different than what is shown.

HTK-EXT-101



HTK-EXT-102



HTK-EXT-103



HTK-EXT-104



HTK-EXT-105



HTK-EXT-106



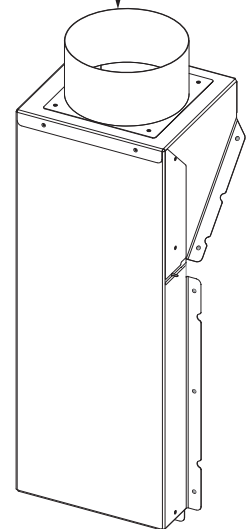
HTK-EXT-107



HTK-EXT-108



HTK 6" COLLAR  
#HTK-EXT-110



HTK-EXT-109



HTK-EXT-110



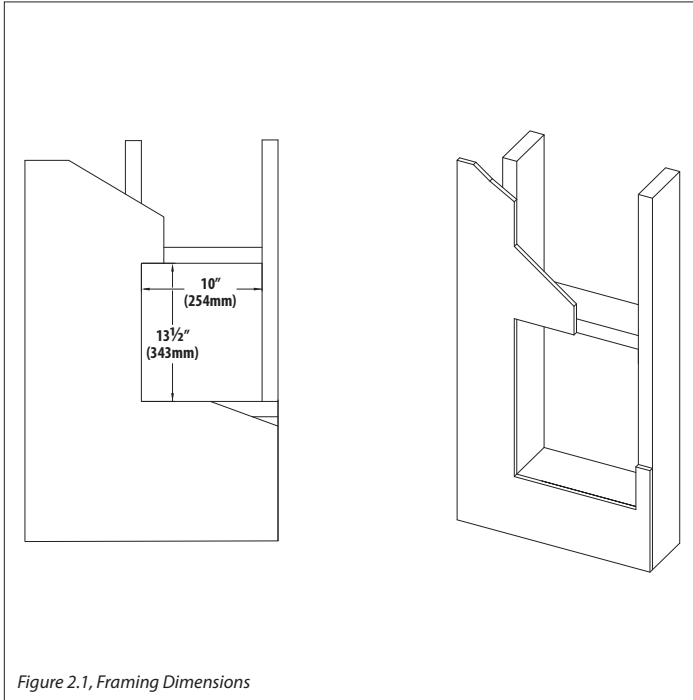
HTK AIR CHUTE (required for #HTK-EXT)

## 2.0 INSTALLATION

### 2.1 Termination Cap Framing

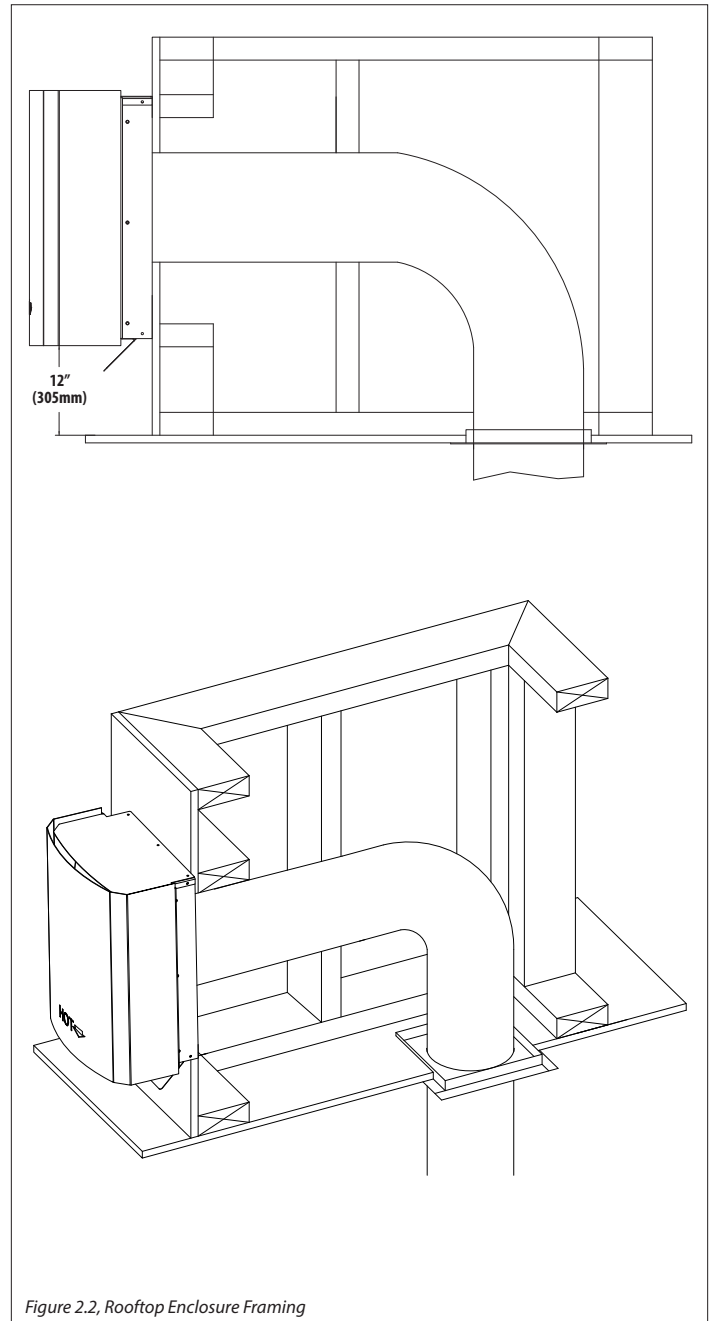
**IMPORTANT:** Termination framing **MUST** be level so the termination cap is level upon installation. This is required so precipitation does not build up inside the termination cap.

Find desired location of exterior heat transfer kit termination. For horizontal termination cap clearances, see Figure 2.3.



### 2.2 Rooftop Termination

If the #HTK-EXT is going to terminate on a flat roof, an enclosure similar to the one shown in Figure 2.2 will need to be constructed.



## 2.3 Horizontal Termination Cap Clearances

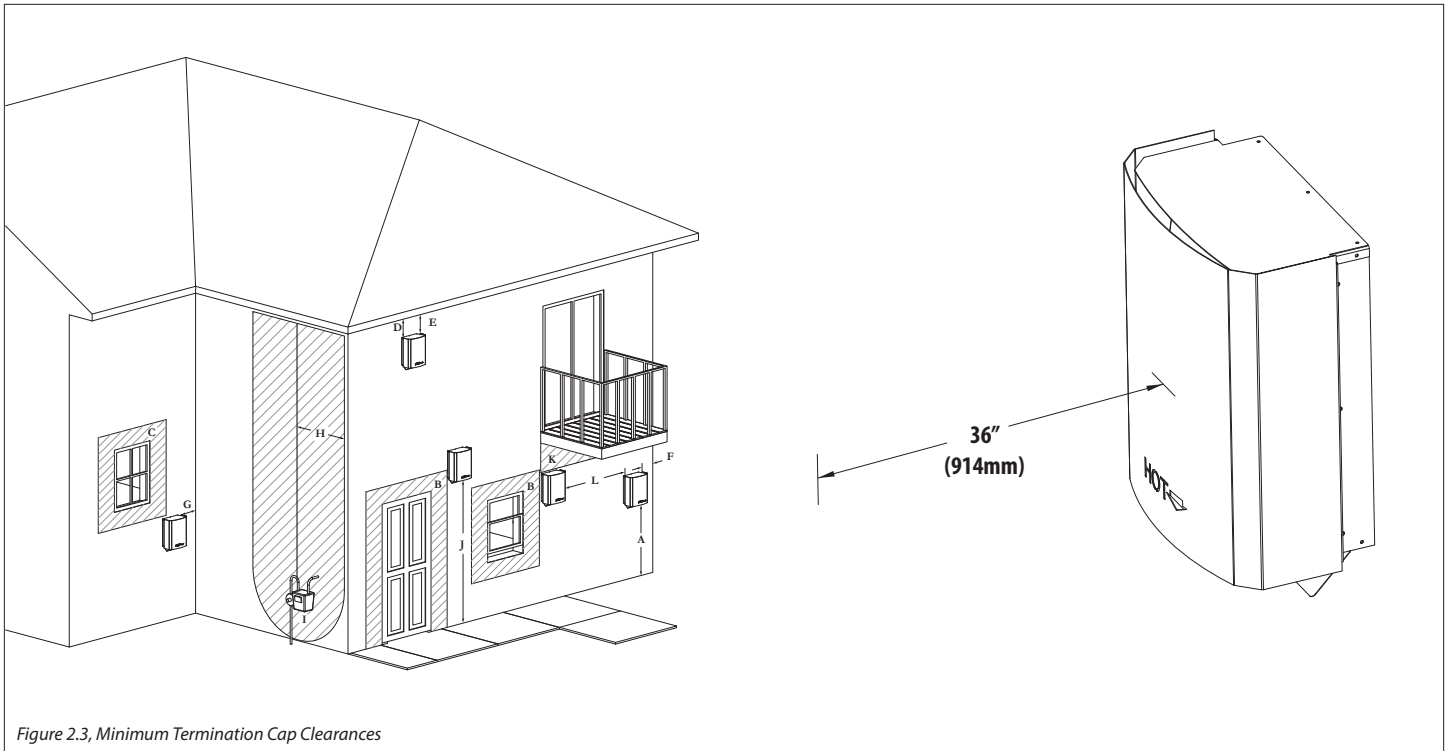


Figure 2.3, Minimum Termination Cap Clearances

		Canadian installations	US installations
<b>A</b>	Clearance above grade, veranda, porch, deck, or balcony	12 in (30 cm)	12 in (30 cm)
<b>B</b>	Clearance to window or door that may be opened	12 in (30 cm)	9 in (23 cm)
<b>C</b>	Clearance to permanently closed window (recommended to prevent condensation on window)	12 in (30 cm)*	12 in (30 cm)*
<b>D</b>	Vertical clearance to ventilated soffit located above the terminal within a horizontal distance of 2 feet (61 cm) from the center line of the terminal	0 in (0 cm)*	0 in (0 cm)*
<b>E</b>	Clearance to unventilated soffit	0 in (0 cm)*	0 in (0 cm)*
<b>F</b>	Clearance to outside corner	0 in (0 cm)*	0 in (0 cm)*
<b>G</b>	Clearance to inside corner	12 in (30 cm)*	12 in (30 cm)
<b>H</b>	Clearance to each side of center line extended above meter/regulator assembly	3 ft (91 cm) within a height 15 ft (4.5 m) above the meter/ regulator assembly	*
<b>I</b>	Clearance to service regulator vent outlet	3 ft (91 cm)	*
<b>J</b>	Clearance above paved sidewalk or paved driveway located on public property	7 ft (2.13 m)†	*
<b>K</b>	Clearance under veranda, porch deck, or balcony	0 in (0cm)‡	0 in (0 cm)
<b>L</b>	Clearance between two horizontal terminations	12 in (30 cm)	12 in (30 cm)

\* Clearance in accordance with local installation codes and the requirements of the gas supplier.

† A vent shall not terminate directly above a sidewalk or paved driveway that is located between two single family dwellings and serves both dwellings.

‡ Permitted only if veranda, porch, deck, or balcony is fully open on a minimum of two sides beneath the floor.

VINYL SOFFIT, VINYL CEILING, AND VINYL OVERHANG DISCLAIMER: Clearances to heat resistant material (i.e. wood, metal). This does not include vinyl. Hussong Manufacturing Co., Inc. will not be held responsible for heat damage caused from terminating under vinyl overhangs, vinyl ceilings, or vinyl ventilated/unventilated soffits.



## 2.4 Installation Instructions

**NOTE: A #HTK-FEK Finishing Extension Kit will be needed for installations with exterior finishing materials greater than 1" thick. Order with the appliance and venting system. It will be used to ensure that the finishing is done to appropriate size for the #HTK-FEK to be installed properly.**

1. Remove the cover assembly (6) screws for installation of the #HTK-EXT base. See Figure 2.4.
2. Remove the shipping bracket by removing (2) screws on the backside of the assembly (Figure 2.5). Remove the two screws that attach the bracket to the inside of the HTK-EXT assembly (Figure 2.6). Discard shipping bracket (Figure 2.7).

**NOTE: If you are using exterior finishing material thicker than 1" (such as stone) then you will need to use #HTK-EXT-FEK Heat Transfer Finishing Extension Kit. Start with Step 3. If installing the #HTK-EXT with 1" or less finishing material, proceed to Step 8 on the next page.**

3. Place FEK box over the framed opening in the wall. Ensure the FEK is level to ensure precipitation does not build up in the HTK-EXT termination cap when it is installed. Attach it to the building. Verify the box remains square so the HTK-EXT can be installed correctly. See Figure 2.8.
4. Seal all corners, joints, and bend lines with silicone (with a minimum 300°F continuous exposure rating) caulk. Ensure all gaps and holes are filled so a sealed envelope is formed. See Figure 2.9 and Figure 2.10.
5. The wall is now ready to be finished. Finishing materials such as stone, marble, or brick can then be applied up to the flanges of the #HTK-FEK that protrude perpendicular to the wall. This will ensure that the cap will fit into the opening after finishing has been completed.
6. **NOTE:** Outside flanges of the #HTK-FEK must not have any pressure on them from the finishing materials. This could cause the opening left after finishing to be too small.
7. After the #HTK-FEK has been installed and the finishing of the wall is completed, apply a bead of silicone (with a minimum of 300°F continuous exposure rating) to the #HTK-FEK around the entire metal flange where it would make contact with the #HTK-EXT.



Figure 2.5, Remove (2) Screws on Backside of Assembly

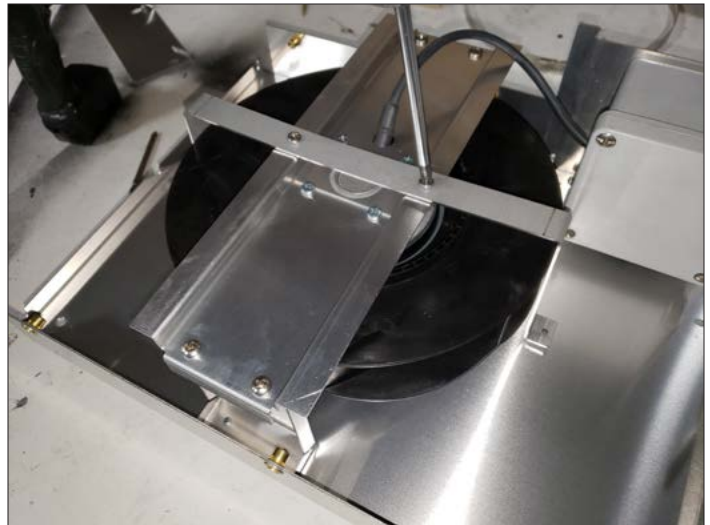


Figure 2.6, Remove (2) Screws Securing Bracket on the Inside



Figure 2.4, Remove Cover Assembly

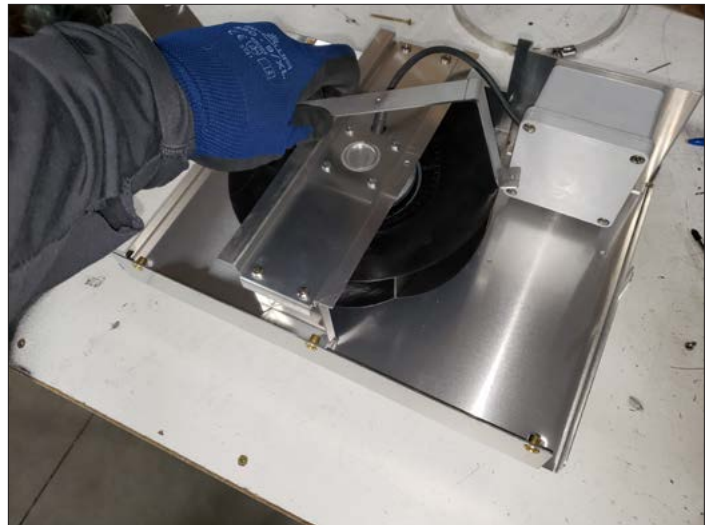


Figure 2.7, Discard Shipping Bracket

8. —If you are using a FEK, align the #HTK-EXT base with FEK ensuring the cap is level. Apply a bead of silicone (with a minimum 300°F continuous exposure rating) around the entire metal flange of the #HTK-EXT. See Figure 2.11 and Figure 2.12. —If you are securing the HTK-EXT base directly to the wall, place a bead of silicone (with a minimum 300°F continuous exposure rating) on the backside of the mounting flange for the HTK-EXT. See Figure 2.11 and Figure 2.12. Attach the HTK-EXT base to the wall with the screws provided.
9. Remove (4) sheet metal screws securing the HTK cover plate. Figure 2.13 is an example of a HTK cover plate on the CLW-72. The location of the HTK cover plate might vary depending on the model. Refer to your fireplace manual for this information.
10. Install the unit specific heat transfer kit air chute. Use the metal screws provided in the kit to install the air chute to the fireplace. Reference the included instructions in the unit specific HTK air chute for your model.  
When the air chute is installed, make sure the damper lays against the outer shell of the fireplace when in resting position. Ensure the damper will move freely when the fan is engaged. See Figure 2.14.
11. Install the collar provided with the air chute using (4) sheet metal screws. **Instructions continue on page 10.**



Figure 2.9, Silicone Corners



Figure 2.10, Silicone Perimeter



Figure 2.11, Silicone Rear

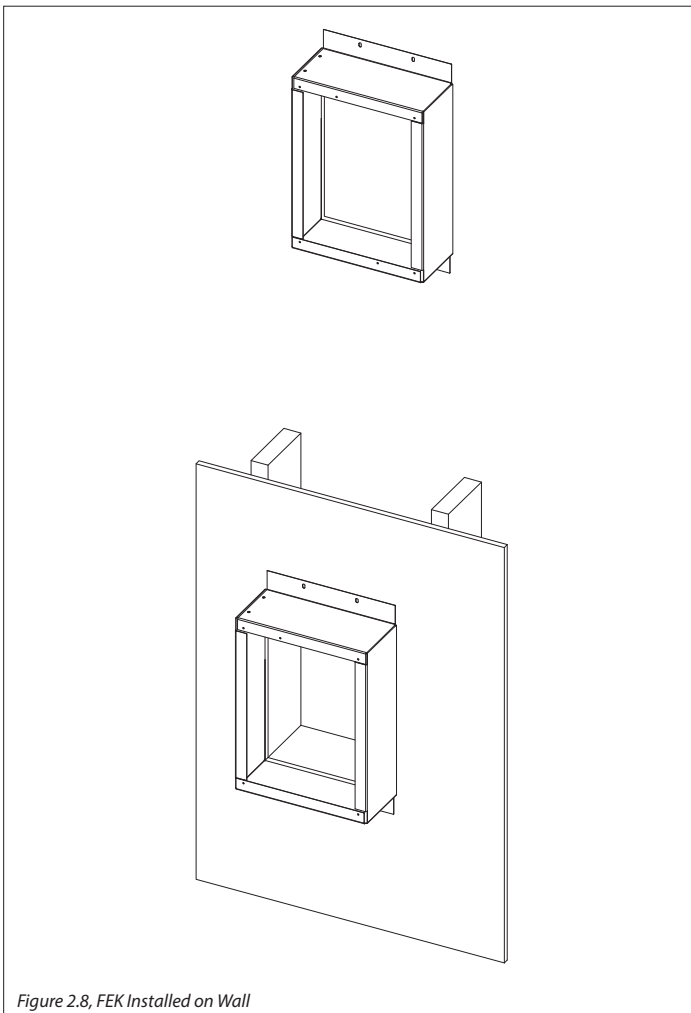


Figure 2.8, FEK Installed on Wall



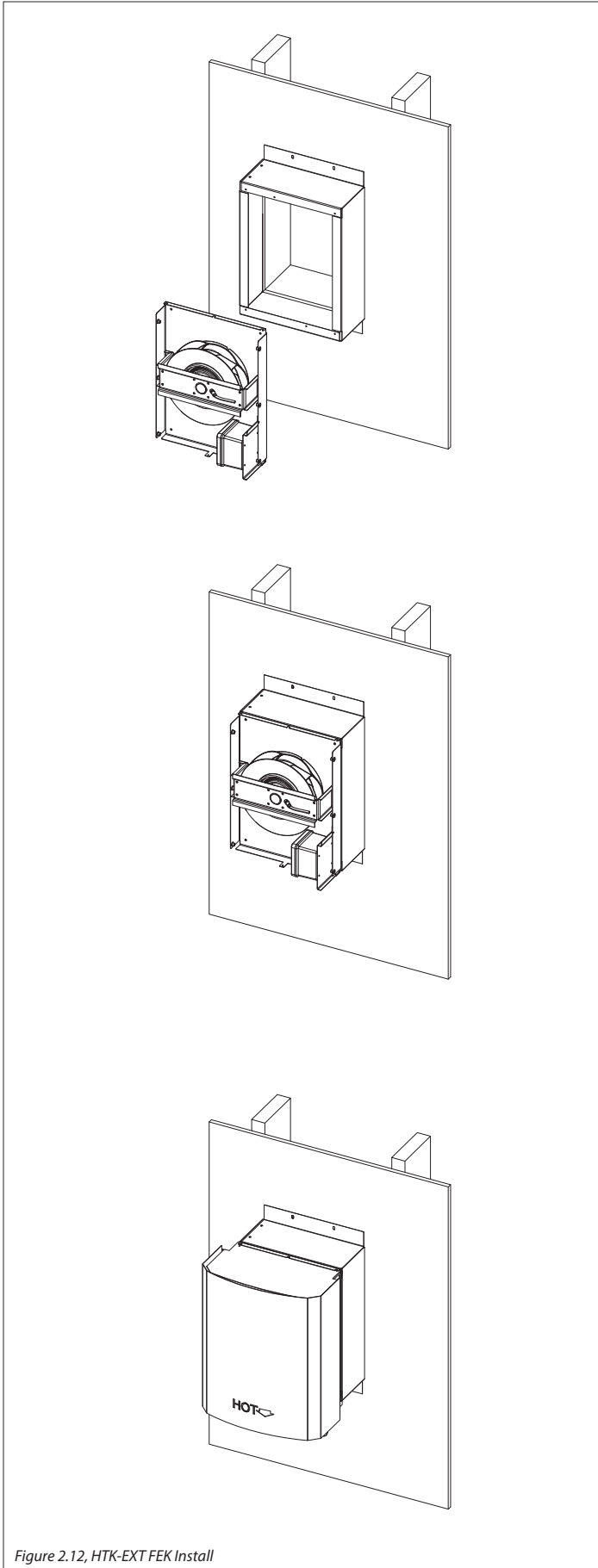


Figure 2.12, HTK-EXT FEK Install

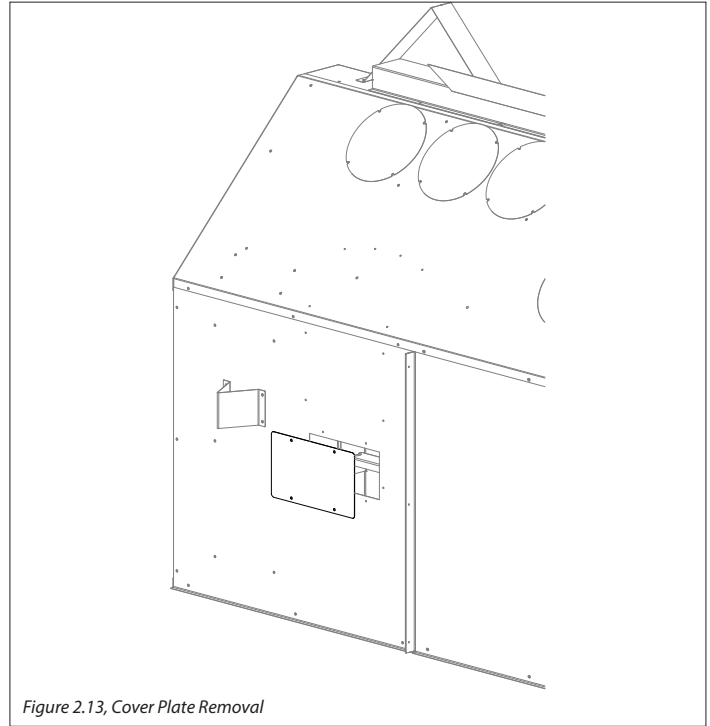


Figure 2.13, Cover Plate Removal

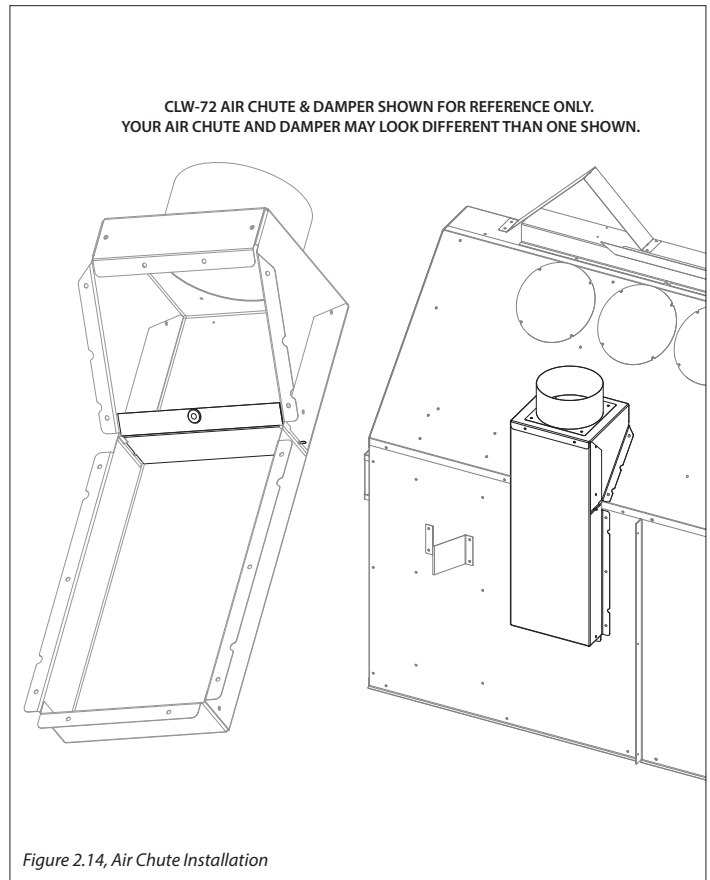


Figure 2.14, Air Chute Installation

12. Lay the band clamp over the 6" collar as shown in Figure 2.15. Attach the inside 6" liner to the collar with (3) sheet metal screws. Use the band clamp to attach the outer insulated liner over the top of the inner liner to the collar. See Figure 2.16.
13. Cut insulated flex pipe to desired length to reach from the collar on the air chute to the collar on the exterior heat transfer kit.
14. Slide the band clamp over the remaining unattached insulated liner. Use (3) sheet metal screws to attach the inner liner to the HTK-EXT. See Figure 2.17.
15. Secure flexible pipe. Support the duct at intervals of no greater than 4 feet.
16. Run the wiring into the #HTK-EXT. See Section 3.0 on page 11.
17. After you complete the necessary wiring, reinstall the cover assembly using (6) screws previously removed.
18. Use (3) provided screws to attach the vinyl siding shield. See Figure 2.18.



Figure 2.17, Liner Installed with Band Clamp



Figure 2.15, Band Clamp



Figure 2.18, Vinyl Siding Installed



Figure 2.16, Screws in Inner Liner

## 3.0 ELECTRICAL REQUIREMENTS

### 3.1 Electrical Requirements

#HTK-EXT operates on 120VAC, 60hz electrical service. The current draw of this device is 1.72A.

### 3.2 Electrical Installation

- The point of entry for electrical wiring into the #HTK-EXT is on the rear of the termination cap assembly. If you are mounting the termination cap before electrical work can be completed, verify there is enough space for access to the back side of the termination cap to run the wiring through the grommet and into the electrical box.
- The provided on/off fan speed control switch is the only

approved speed control switch for this device. If you choose to not use the provided fan speed control switch, you may wire in an on/off switch of your choice, but you cannot wire in any other fan speed control. Ensure any other chosen switch meets the electrical requirements of the system listed in Section 3.1.

- #HTK-EXT fan will generate sound during operation. The effects of the increased sound level can be minimized with careful planning during installation of the system.
- When wiring the provided on/off fan speed control, the leads coming out the switch will intercept with the hot wire leading from the power source to the #HTK-EXT. Inside the #HTK-EXT electrical box there will be (1) black, (1) white, and (1) green wire leads to attach to the wiring ran from the power source.

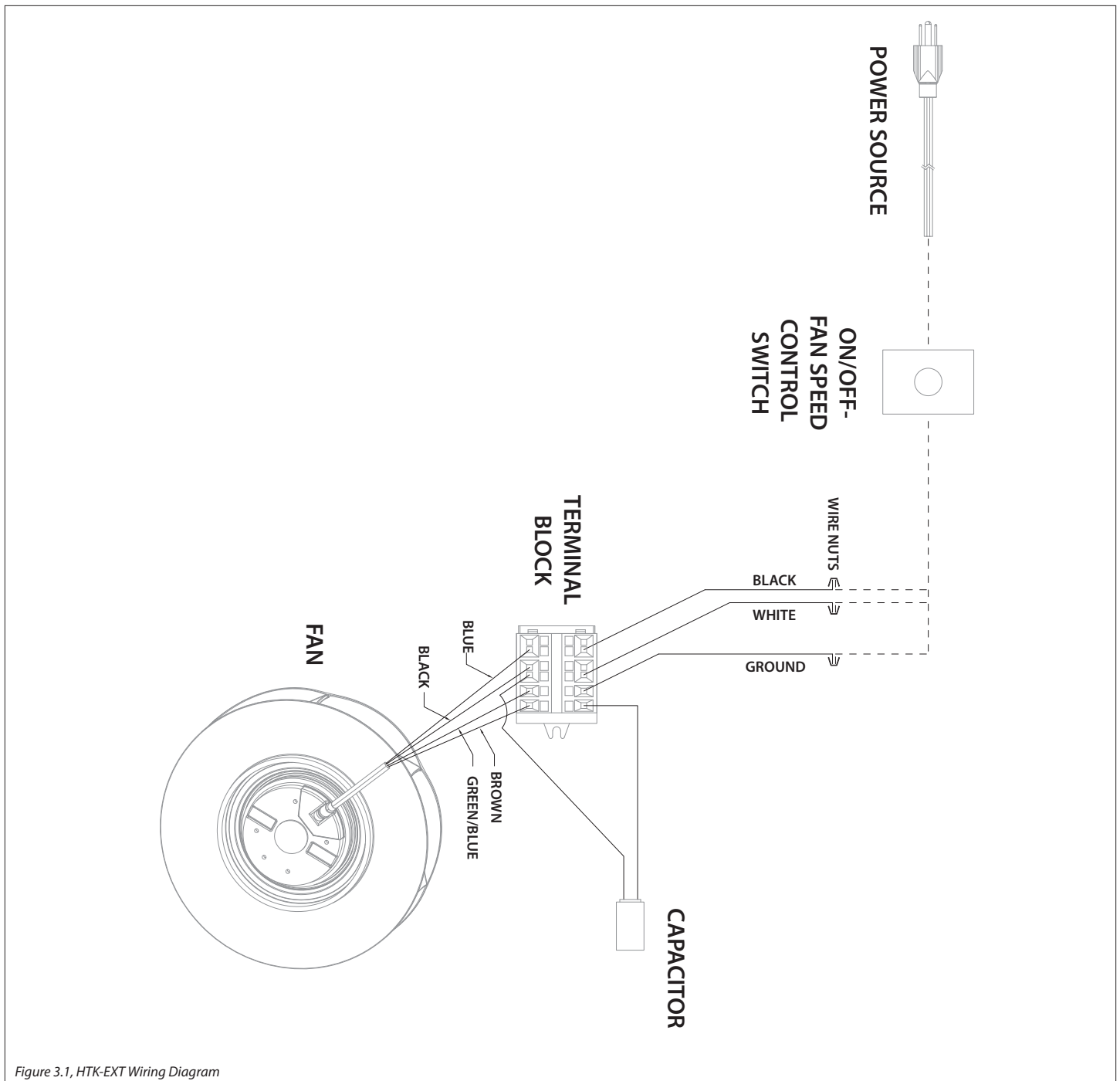


Figure 3.1, HTK-EXT Wiring Diagram



# KIT DE TRANSFERT DE CHALEUR EXTÉRIEUR n° HTK-EXT

Pour utilisation avec modèles CLW-40 et CLW-72

**KOZY HEAT**  
FIREPLACES  
HUSSONG MANUFACTURING CO., INC.

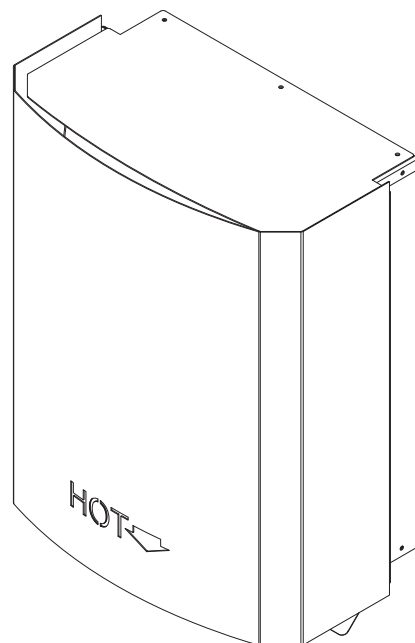
**INSTALLATEUR : Laissez ce manuel avec l'appareil.  
PROPRIÉTAIRE : Conservez ce manuel pour le consulter.**

English and French installation manuals are available through your local dealer. Visit our website [www.kozyheat.com](http://www.kozyheat.com).

Les manuels d'installation en français et en anglais sont disponibles chez votre détaillant local. Visitez [www.kozyheat.com](http://www.kozyheat.com).



We suggest that our gas hearth products be installed and serviced by professionals who are certified in the U.S. by the National Fireplace Institute® (NFI) as NFI Gas Specialists.



<b>1.0 INTRODUCTION</b> .....	<b>3</b>
1.1 Introduction.....	3
1.2 Produit approuvé.....	3
1.3 Installation.....	3
1.4 Pièces de rechange.....	4
<b>2.0 INSTALLATION</b> .....	<b>5</b>
2.1 Encadrement de terminaison d'évacuation.....	5
2.2 Terminaison d'évacuation au toit.....	5
2.3 Dégagements du chapeau d'évacuation horizontal.....	6
2.4 Instructions d'installation .....	7
<b>3.0 INSTALLATION ÉLECTRIQUE</b> .....	<b>11</b>
3.1 Alimentation électrique .....	11
3.2 Installation électrique .....	11

**LISEZ TOUTES CES ÉTAPES  
AVANT DE COMMENCER L'INSTALLATION.  
LAISSÉZ CE MANUEL AVEC L'APPAREIL.**

Ce kit doit être installé par un centre de service ou un installateur qualifié, ou par le fournisseur de gaz, au moment d'installer l'appareil de chauffage. Ces instructions doivent être utilisées conjointement avec le manuel d'installation et d'utilisation fourni avec l'appareil. Veuillez lire complètement le manuel d'installation de l'appareil avant de commencer les procédures de ce manuel d'instructions.





# 1.0 INTRODUCTION

## 1.1 Introduction

Le Kit de transfert de chaleur extérieur HTK-EXT est conçu pour évacuer la chaleur indésirable de votre maison.

Le modèle de foyer suivant permet une installation maximale de deux kits de transfert de chaleur : CLW-72

Le maximum de deux kits de transfert de chaleur peut comporter : (2) kits HTK-INT, ou (2) kits HTK-EXT, ou un de chaque.

## 1.2 Produit approuvé

Les conduits flexibles utilisés avec le HTK-EXT sont fabriqués et marqués aux exigences de la norme UL-181, Conduits d'air de Classe 1.

## 1.3 Installation

### 1.3.1 Précautions d'installation

Ce système doit être installé par un installateur qualifié selon ces instructions et les codes locaux, et le Code canadien de l'électricité CSA C22.1 (ou le National Electrical Code ANSI/NFPA 70, aux É.-U.).

Le ventilateur du HTK-EXT fera du bruit, une fois en marche. Les effets du niveau sonore accru peuvent être minimisés en planifiant avec soin l'installation du système.

**ATTENTION:** Porter des gants protecteurs et lunettes de sécurité pour l'installation. Les bords en tôle métallique ont des arêtes coupantes.

Débranchez l'alimentation électrique avant d'effectuer tout entretien, réparation ou câblage électrique.

**AVERTISSEMENT:** Le non-respect des instructions d'installation, d'utilisation et d'entretien de ce système de transfert de chaleur extérieur pourrait créer des conditions dangereuses avec risques de blessures et de dommages matériels.

### 1.3.2 Directives d'installation

La sortie d'évacuation du HTK-EXT doit être dirigée vers le bas pour éviter une infiltration d'eau.

Longueur minimale de course du conduit:	3 pi (914mm)
Longueur maximale de course du conduit:	25 pi (7,8m)
Dégagement au conduit flexible:	0 pouces (0mm)

**IMPORTANT:** Le conduit flexible isolé est à dégagement zéro aux matériaux combustibles mais NE PEUT PAS être comprimé à un diamètre inférieur.

**NOTE:** Le conduit doit être supporté à des intervalles ne dépassant pas 4 pieds (122 cm), avec pas plus de 1/2 po (13 mm) de déflexion entre les supports, tel qu'exigé par les codes locaux. Ne remplacez pas le conduit flexible isolé fourni par aucun autre type de conduit.

### 1.3.3 Exigences de peinture

Le HTK-EXT peut être peinturé à la couleur désirée, pourvu que la peinture choisie ait une résistance suffisante aux températures et conditions ambiantes extérieures (intempéries).

- Avec du papier sablé ou de la laine d'acier, sablez bien le revêtement existant, avant d'appliquer la peinture.
- Le devant du couvercle du chapeau d'évacuation peut être peinturé sur place en faisant sécher la peinture à 400°F (204°C). Toutes les autres pièces du chapeau peuvent être peinturées, mais on ne doit pas les faire sécher à plus de 190°F (88°C) pour ne pas surchauffer les joints d'étanchéité et autres composants.
- Certaines surfaces du chapeau peuvent atteindre jusqu'à 600°F (316°C). Les peintures choisies doivent avoir une résistance thermique suffisante.
- Le chapeau d'évacuation contient un scellant à base de silicone, qui peut affecter l'adhérence de la peinture. Veuillez informer le peintre local que ce scellant contient du silicone.

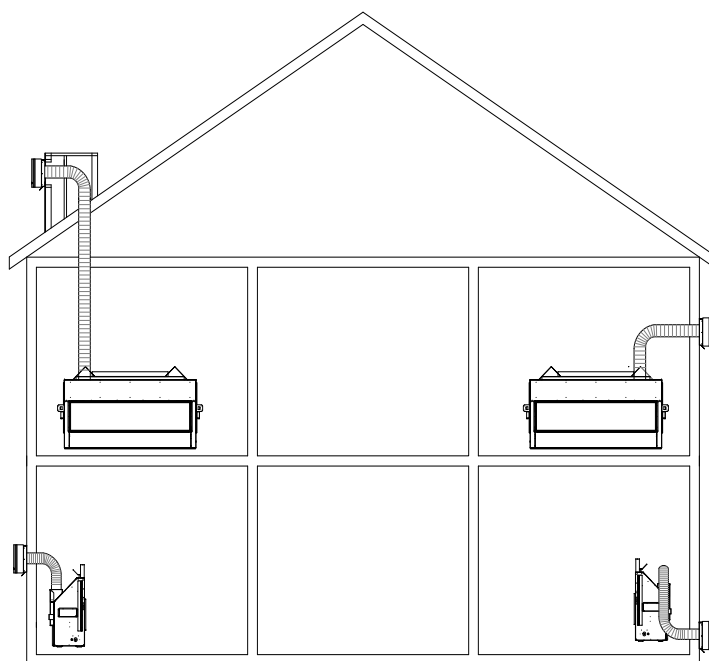


Figure 1.1, Emplacements possibles des conduits d'air et des chapeaux d'évacuation

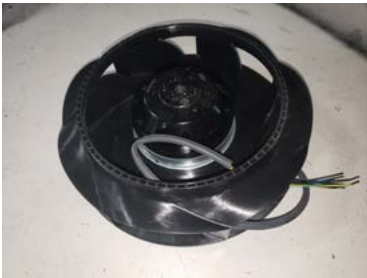
## 1.4 Pièces de rechange

Ensemble de ventilateur	HTK-EXT-101
Couvercle	HTK-EXT-102
Protecteur de revêtement de vinyle	HTK-EXT-103
Boîte électrique	HTK-EXT-104
Condensateur	HTK-EXT-105
Bornier de connexion	HTK-EXT-106
Contrôle de vitesse	HTK-EXT-107
Conduit flexible isolé 6 po	HTK-EXT-108
Collier de serrage	HTK-EXT-109
Raccord 6 po du HTK	HTK-EXT-110

### 1.4.1 Heat Transfer Kit Air Chute

- The HTK air chute is required when installing a #HTK-EXT.
- (1) air chute is needed per heat transfer kit.
- Order model specific air chute. Yours may look different than what is shown.

HTK-EXT-101



HTK-EXT-102



HTK-EXT-103



HTK-EXT-104



HTK-EXT-105



HTK-EXT-106



HTK-EXT-107



HTK-EXT-108



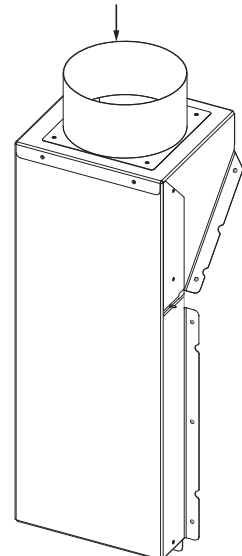
HTK-EXT-109



HTK-EXT-110



RACCORD 6 po HTK  
#HTK-EXT-110



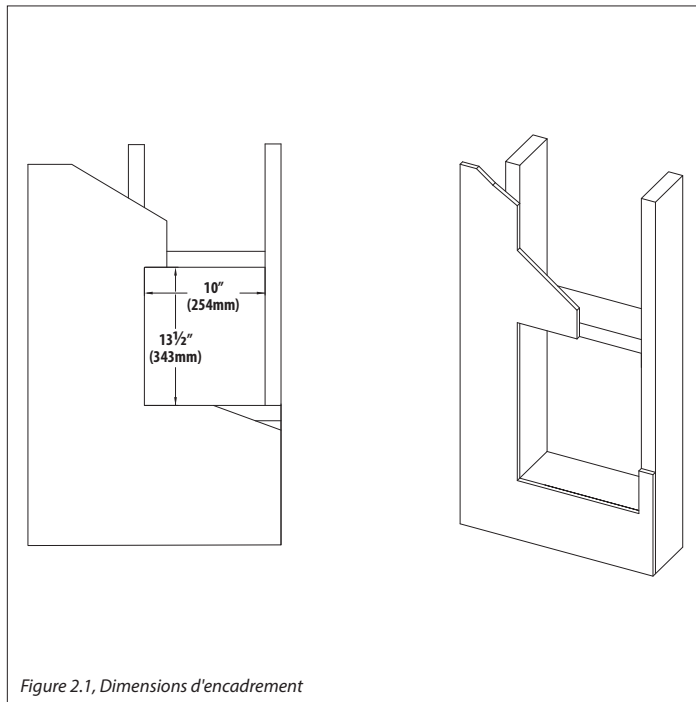
CHUTE D'AIR DU HTK  
(requisse pour HTK-EXT)

## 2.0 INSTALLATION

### 2.1 Encadrement de terminaison d'évacuation

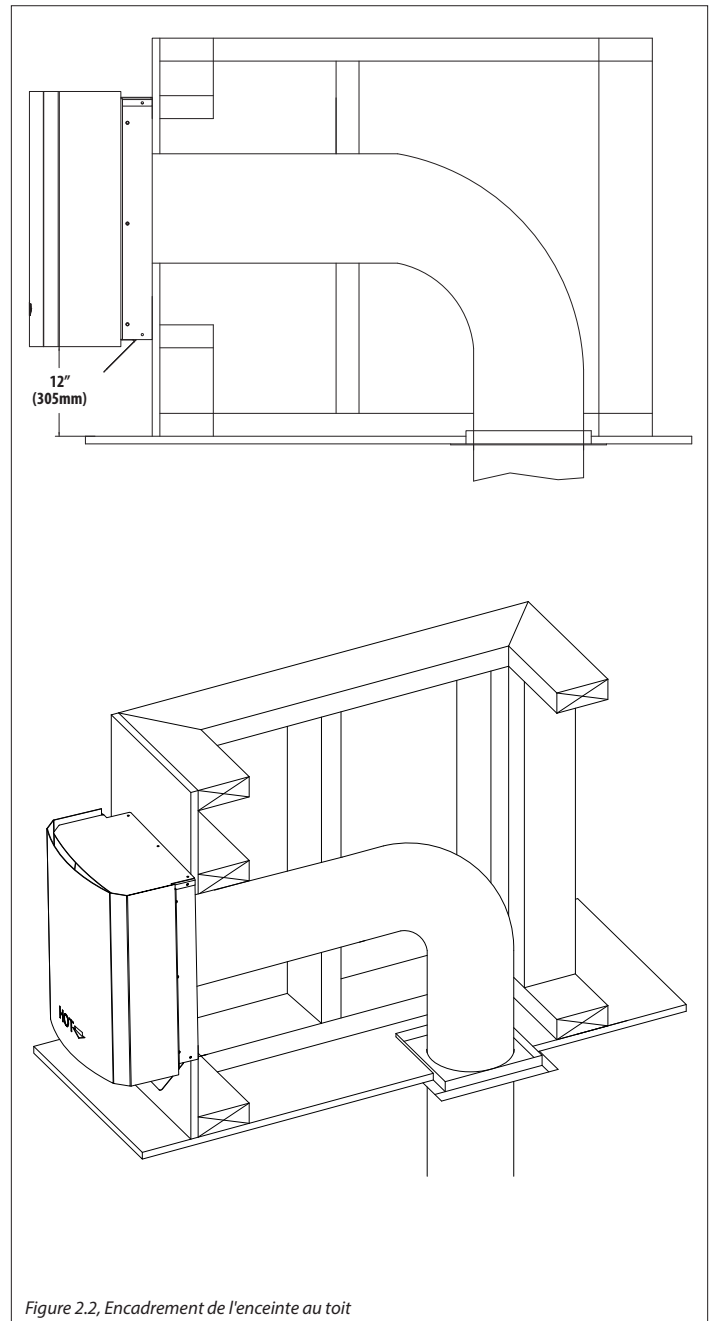
**IMPORTANT:** L'encadrement de la terminaison d'évacuation DOIT être de niveau pour que le chapeau installé soit de niveau. Ceci pour éviter que de l'eau de pluie ne s'accumule à l'intérieur du chapeau d'évacuation.

Déterminez l'emplacement désiré du chapeau d'évacuation du kit de transfert de chaleur extérieur. Pour les dégagements du chapeau d'évacuation horizontal, voir la Figure 2.3.



### 2.2 Terminaison d'évacuation au toit

Si le chapeau d'évacuation du HTK-EXT sera situé sur un toit plat, une enceinte similaire à celle illustrée à la Figure 2.2 devra être construite.



## 2.3 Dégagements du chapeau d'évacuation horizontal

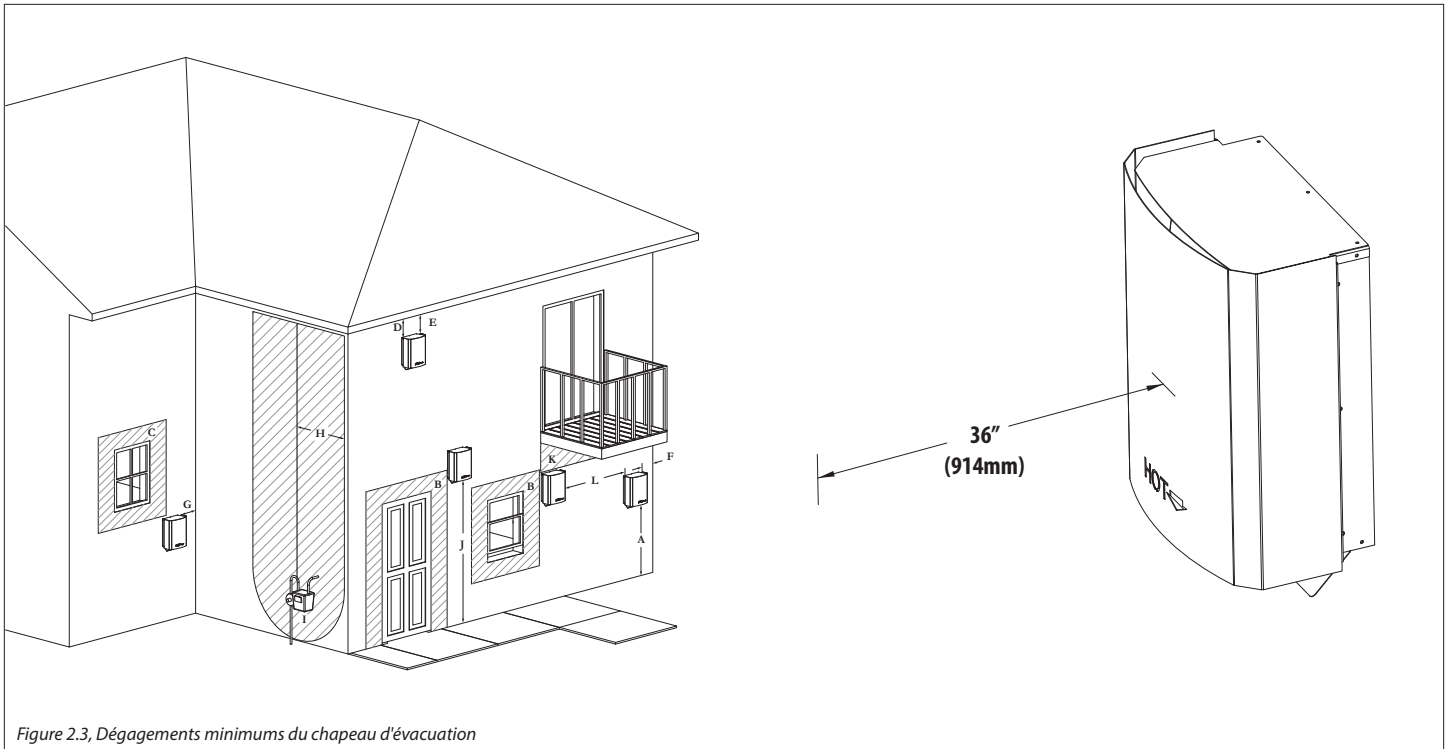


Figure 2.3, Dégagements minimums du chapeau d'évacuation

	Installations au Canada	Installations aux É.-U.
<b>A</b> Dégagement au-dessus d'un terrain, véranda, galerie, terrasse ou balcon	12 po (30 cm)	12 po (30 cm)
<b>B</b> Dégagement à une porte ou fenêtre ouvrante	12 po (30 cm)	9 po (23 cm)
<b>C</b> Dégagement à une porte ou fenêtre fermée en permanence (pour éviter de la condensation sur la fenêtre)	12 po (30 cm)*	12 po (30 cm)*
<b>D</b> Dégagement vertical à un soffite ventilé situé au-dessus du chapeau d'évacuation en-deçà d'une distance horizontale de 2 pieds (61 cm) du centre du chapeau d'évacuation	0 po (0 cm)*	0 po (0 cm)*
<b>E</b> Dégagement à un soffite non ventilé	0 po (0 cm)*	0 po (0 cm)*
<b>F</b> Dégagement à un coin extérieur	0 po (0 cm)*	0 po (0 cm)*
<b>G</b> Dégagement à un coin intérieur	12 po (30 cm)*	12 po (30 cm)
<b>H</b> Dégagements de chaque côté du centre projeté au-dessus d'un compteur/régulateur de gaz	3 pieds(91 cm) du centre à une hauteur de 15 pieds (4,5m) au-dessus du compteur/rég.	*
<b>I</b> Dégagement à la sortie d'évent du régulateur de gaz	3 pi (91 cm)	*
<b>J</b> Dégagement au-dessus d'un trottoir pavé ou entrée d'auto pavée, situés sur un terrain public	7 pi (2.13 m)†	*
<b>K</b> Dégagement sous un(e) véranda, galerie, terrasse ou balcon	12 po (30 cm)‡	12 po (30 cm)
<b>L</b> Dégagement entre deux terminaisons d'évacuation horizontales	12 po (30 cm)	12 po (30 cm)

\* Les dégagements doivent être conformes aux codes d'installation locaux et aux exigences du fournisseur de gaz.

† L'évacuation ne peut pas se terminer au-dessus d'un trottoir ou entrée d'auto pavée situés entre (2) habitations familiales implés et desservant les 2 habitations

‡ Permis seulement si la véranda, la galerie, la terrasse ou le balcon sont complètement ouverts au moins aux deux côtés sous le plancher

AVIS DE NON-RESPONSABILITÉ - SOFFITES EN VINYLE, PLAFONDS EN VINYLES ET AVANT-TOITS EN VINYLE : Dégagements aux matériaux résistant à la chaleur (ex. bois, métal). Ceci n'inclut pas le vinyle. Hussong Manufacturing Co., Inc. pas responsable des dommages dus à la chaleur si la terminaison (conduit) d'évacuation aboutit sous un avant-toit (ex. corniche) en vinyle, un plafond en vinyle ou un soffite (ventilé ou non ventilé) en vinyle



## 2.4 Instructions d'installation

**NOTE:** Un kit d'extensin de finition HTK-FEK sera nécessaire si l'installation comporte des matériaux de finition extérieure dont l'épaisseur est supérieure à 1 po (25mm). Commandez-le avec le kit HTK et le système d'évacuation. Cela permettra d'assurer les dimensions de finition adéquates pour installer le HTK.

1. Retirez les (6) vis du couvercle pour l'installation de la base du HTK-EXT. Voir Figure 2.4.
2. Pour retirer la bride d'expédition, commencez par retirer les (2) vis à l'arrière du HTK-EXT (Figure 2.5). Puis, retirez les (2) vis retenant la bride à l'intérieur du HTK-EXT (Figure 2.6). Jetez la bride d'expédition (Figure 2.7).

**NOTE:** Si vous utilisez un matériau de finition extérieure d'une épaisseur supérieure à 1 po (25 mm) (p.ex. de la pierre), vous devrez utiliser le Kit d'extension de finition de transfert de chaleur HTK-EXT-FEK. Commencez à l'étape 3. Si vous installez le HTK-EXT avec un matériau de finition de moins de 1 po (25mm), sautez à l'étape 8 (à la page suivante)

3. Placez la boîte du kit d'extension de finition (FEK) par-dessus l'ouverture encadrée dans le mur. Vérifiez que le kit FEK est de niveau pour s'assurer que l'eau de pluie ne s'accumule pas dans le chapeau d'évacuation du HTK-EXT installé. Fixez-la au bâtiment. Vérifiez que la boîte reste perpendiculaire pour que le HTK-EXT puisse être installé correctement. Voir Figure 2.8.
4. Calfeutrez tous les coins, joints et lignes de contour avec du scellant à base de silicone (ayant une résistance minimale de 300°F en exposition continue). Vérifiez que tous les trous et fentes sont remplis pour former une enveloppe scellée étanche. Voir les Figure 2.9 et 2.10.
5. Le mur est maintenant prêt à recevoir les matériaux de finition (ex. pierre, marbre ou brique), qui peuvent être appliqués jusqu'aux brides du HTK-FEK qui dépassent perpendiculairement du mur. Ceci permet de s'assurer que le chapeau d'évacuation s'insérera bien dans l'ouverture, une fois le mur fini.
6. **NOTE:** Les matériaux de finition ne doivent exercer aucune pression sur les brides extérieures du HTK-FEK, pour éviter que les matériaux de finition installés ne rétrécissent trop l'ouverture.
7. Après avoir installé le HTK-FEK et terminé la finition du mur, appliquez un joint de silicone (d'une résistance minimale de 300°F en exposition continue) au HTK-FEK sur tout le pourtour de la bride en métal, aux points de contact avec le HTK-EXT.

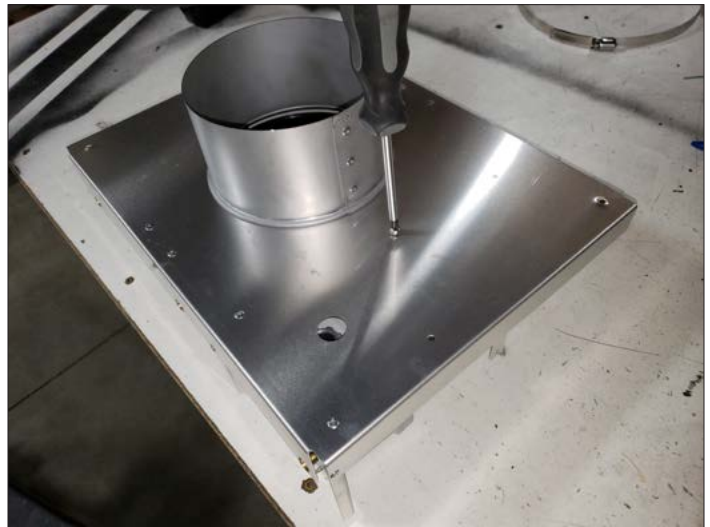


Figure 2.5, Retirez les (2) vis à l'arrière du couvercle (du chapeau)

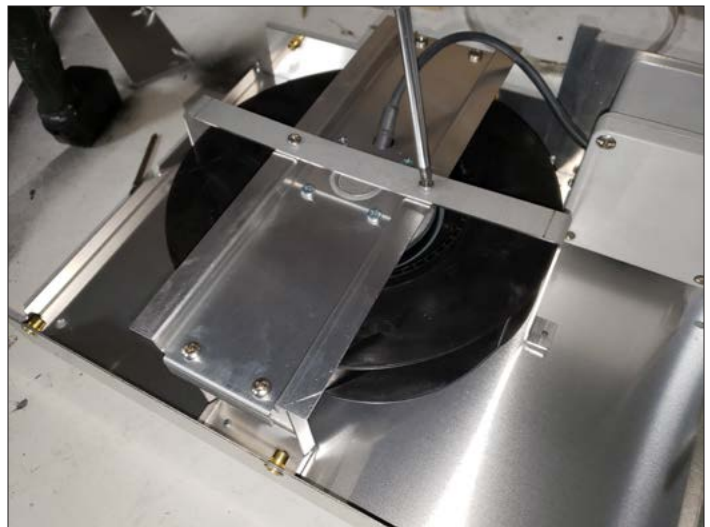


Figure 2.6, Retirez les (2) vis retenant la bride à l'intérieur



Figure 2.4, Retirez le couvercle

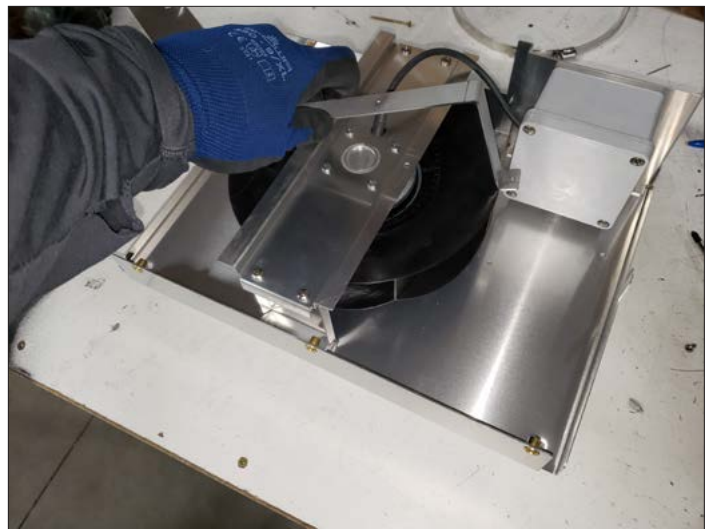


Figure 2.7, Jetez la bride d'expédition

8. —Si vous utilisez un kit FEK, alignez la base du HTK-EXT avec le kit FEK en vérifiant que le chapeau est de niveau. Appliquez un joint de silicone (résistance minimale de 300°F en exposition continue) tout autour de la bride en métal du HTK-EXT. Voir les Figures 2.11 et 2.12.  
—Si vous fixez la base du kit HTK-EXT directement au mur, appliquez un joint de silicone (résistance minimale de 300°F en exposition continue) sur la face arrière de la bride de fixation pour le HTK-EXT. Voir les Figures 2.11 et 2.12. Fixez au mur la base du kit HTK-EXT avec les vis fournies.
9. Retirez les (4) vis à tôle retenant la plaque-couvercle pour HTK. La Figure 2.13 montre cette plaque-couvercle installée sur le foyer CLW-72. L'emplacement de la plaque-couvercle pour HTK peut varier avec le modèle de foyer. Voir le manuel d'installation du foyer pour plus de détails.
10. Installez la chute d'air du kit de transfert de chaleur spécifique à votre foyer. Utilisez les vis à tôle fournies dans le kit pour installer la chute d'air au foyer. Voir les instructions fournies avec la chute d'air du HTK spécifique à votre modèle de foyer.  
Une fois la chute d'air installée, vérifiez que le registre (volet) appuie contre l'enveloppe extérieure du foyer lorsque le registre est en position de repos. Vérifiez que le registre peut se déplacer librement lorsque le ventilateur est engagé. Voir Figure 2.14.
11. Installez le raccord fourni avec la chute d'air en utilisant (4) vis à tôle. **Suite des instructions à la page 10.**



Figure 2.9, Appliquez le scellant silicone aux coins



Figure 2.10, Appliquez le scellant silicone tout autour (en périphérie)



Figure 2.11, Appliquez le scellant silicone sur la face arrière

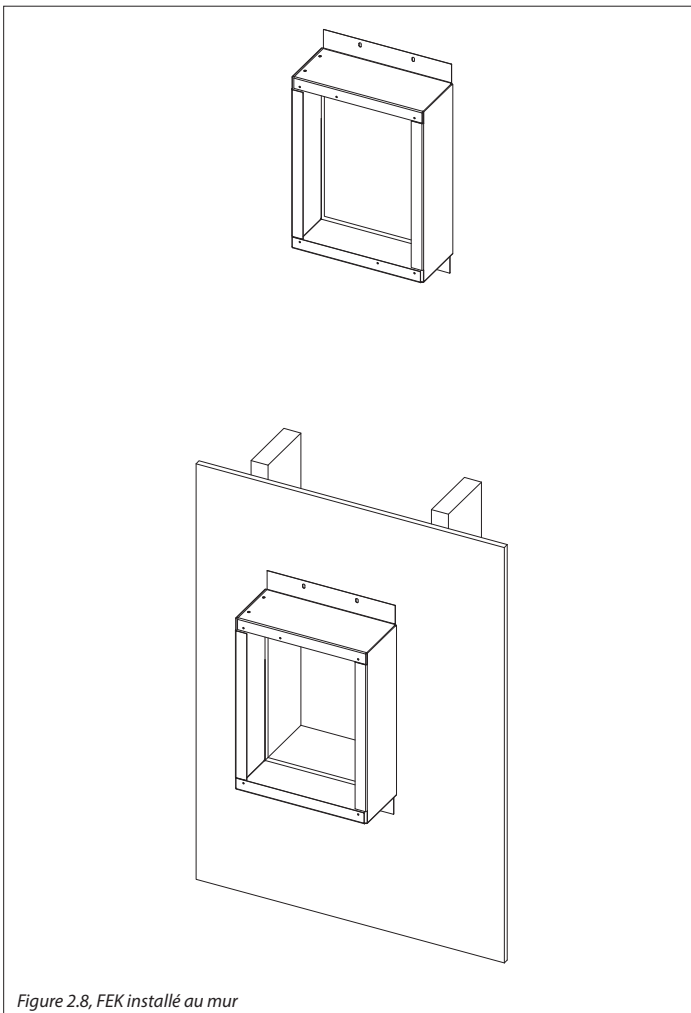


Figure 2.8, FEK installé au mur

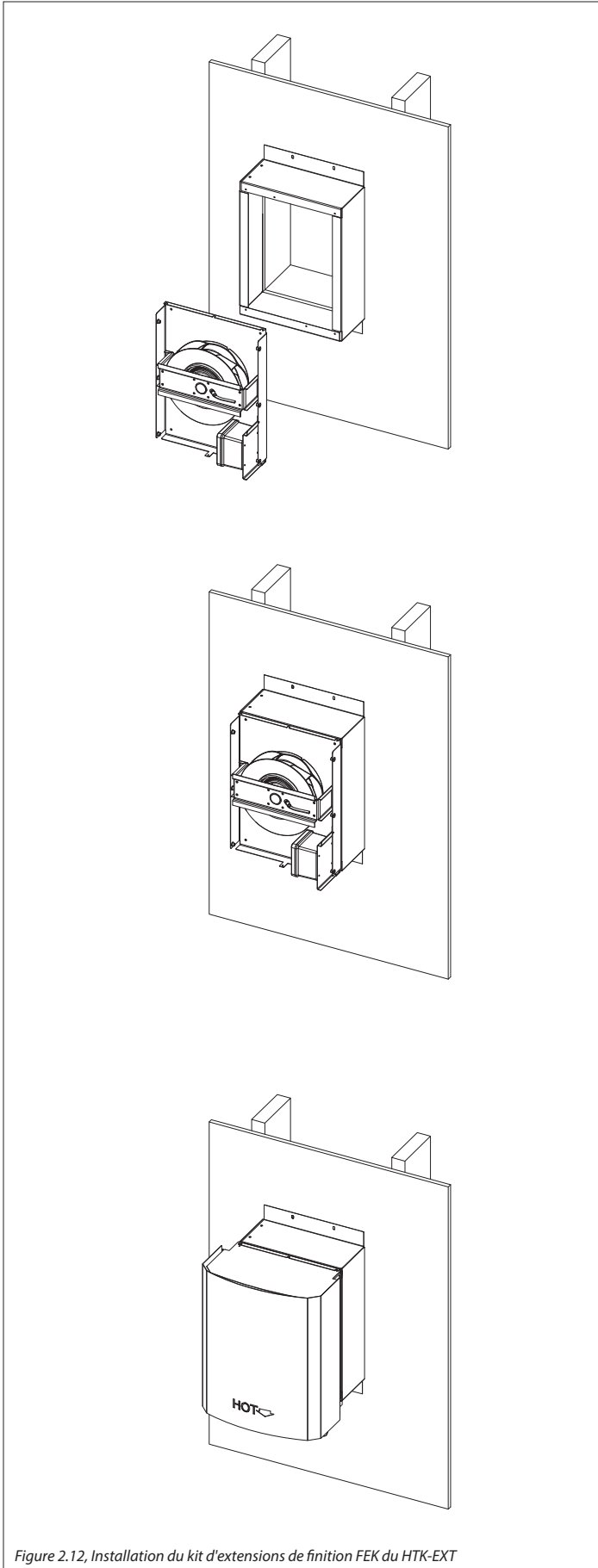


Figure 2.12, Installation du kit d'extensions de finition FEK du HTK-EXT

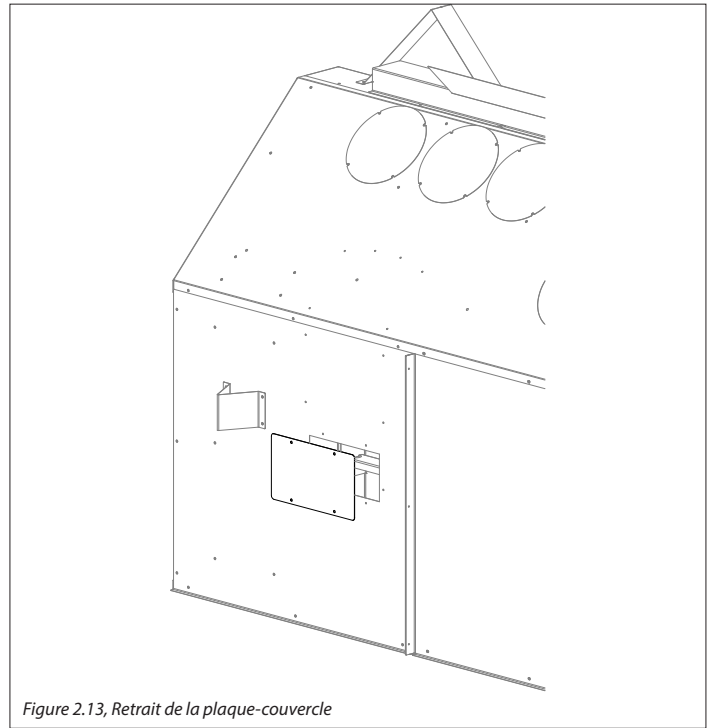


Figure 2.13, Retrait de la plaque-couvercle

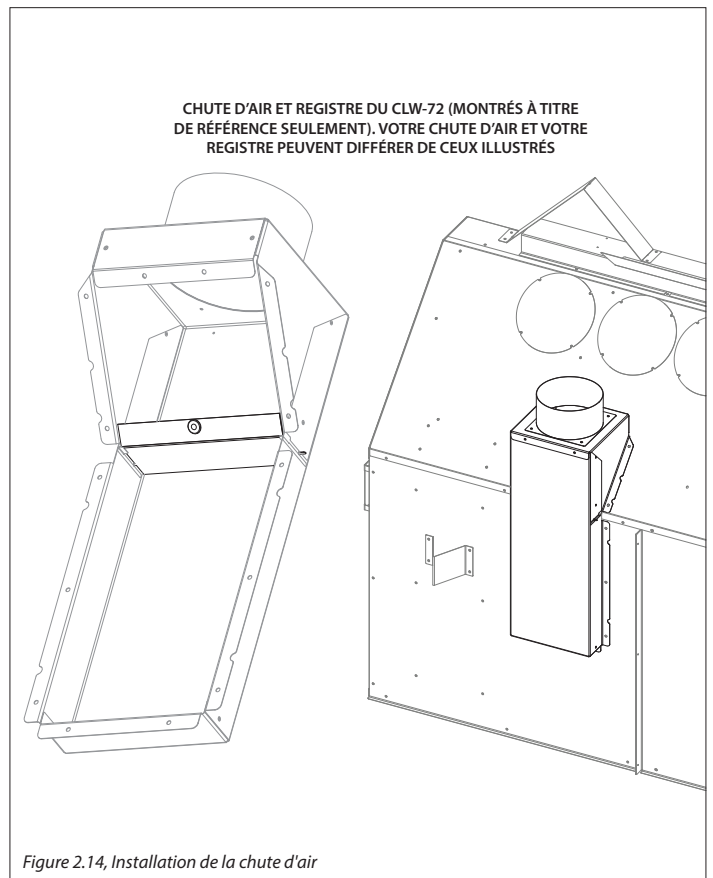


Figure 2.14, Installation de la chute d'air



12. Posez le collier de serrage sur le raccord de 6 po, comme à la Figure 2.15. Fixez le revêtement intérieur de 6 po au raccord avec (3) vis à tôle. Utilisez le collier de serrage pour fixer le revêtement isolant extérieur par-dessus le revêtement intérieur au raccord. Voir Figure 2.16.
13. Coupez le conduit flexible isolé à la longueur requise pour aller du raccord de chute d'air au raccord du kit de transfert de chaleur extérieur.
14. Glissez le collier de serrage sur la partie non fixée du revêtement isolant. Utilisez (3) vis à tôle pour fixer le revêtement intérieur au kit HTK-EXT. Voir Figure 2.17.
15. Attachez solidement le conduit flexible. Soutenez le conduit à des intervalles ne dépassant pas 4 pieds (122 cm).
16. Insérez le câble dans le HTK-EXT. Voir la Section 3.0, à la page 11.
17. Après avoir installé tout le câblage nécessaire, réinstallez le couvercle (du chapeau d'évacuation) en utilisant les (6) vis retirées précédemment.
18. Utilisez les (3) vis fournies pour fixer le protecteur de revêtement de vinyle. Voir Figure 2.18.



Figure 2.16, Vis dans le revêtement intérieur



Figure 2.15, Collier de serrage



Figure 2.17, Revêtement installé avec collier de serrage



Figure 2.18, Revêtement de vinyle installé

## 3.0 INSTALLATION ÉLECTRIQUE

### 3.1 Alimentation électrique

Le HTK-EXT utilise une alimentation électrique de 120V c.a., (60 Hz). L'appel de courant de cet appareil est de 1,26 Ampère.

### 3.2 Installation électrique

- Le point d'entrée du câble électrique alimentant le HTK-EXT est situé à l'arrière du chapeau d'évacuation. Si vous installez le chapeau d'évacuation avant d'avoir terminé l'installation électrique, vérifiez qu'il y a assez d'espace d'accès à l'arrière du chapeau d'évacuation, pour insérer le câble dans l'oeillet passe-câble et la boîte électrique.
- Le commutateur on/off du contrôle de vitesse du ventilateur (fourni) est le seul commutateur de contrôle de vitesse approuvé pour cet appareil. Si vous choisissez de ne pas utiliser le contrôle

de vitesse fourni, vous pouvez connecter un commutateur on/off de votre choix, mais vous ne pouvez pas y connecter aucun autre contrôle de vitesse de ventilateur. Vérifiez que le commutateur que vous choisirez est conforme aux exigences d'alimentation électrique spécifiées à la Section 3.1, pour ce système.

- Le ventilateur du kit HTK-EXT fera un bruit, une fois en marche. Les effets du niveau sonore accru peuvent être minimisés en planifiant avec soin l'installation du système.
- Au moment d'effectuer le câblage du contrôle de vitesse on/off du ventilateur (fourni), les fils sortant du commutateur devront intercepter le fil chargé (porteur de tension) sortant du câble d'alimentation du HTK-EXT. À l'intérieur de la boîte électrique du HTK-EXT, il y a trois fils conducteurs à connecter aux fils du câble d'alimentation : (1) noir, (1) blanc et (1) vert.

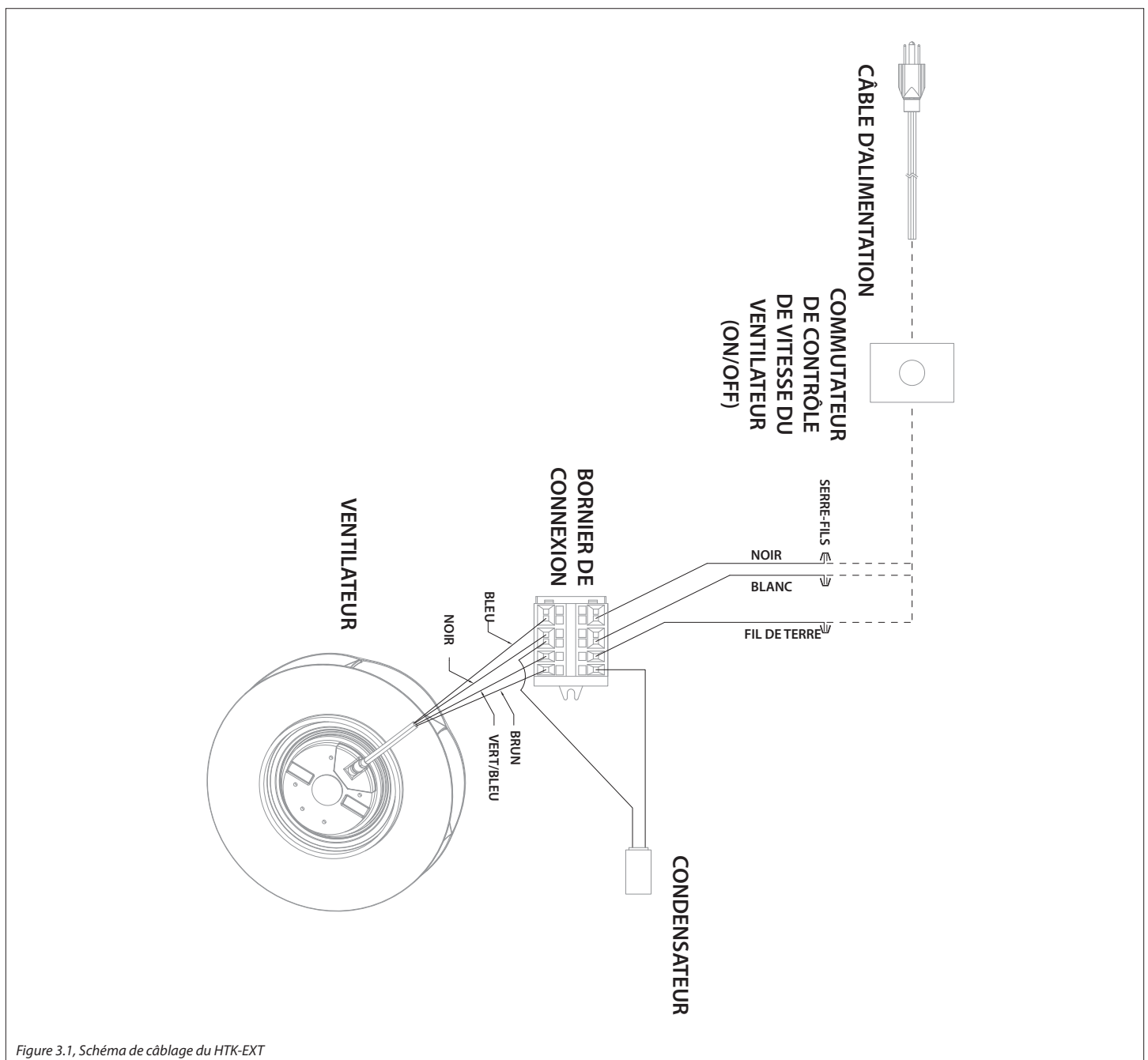


Figure 3.1, Schéma de câblage du HTK-EXT



