

SPEC SHEET

# H Series

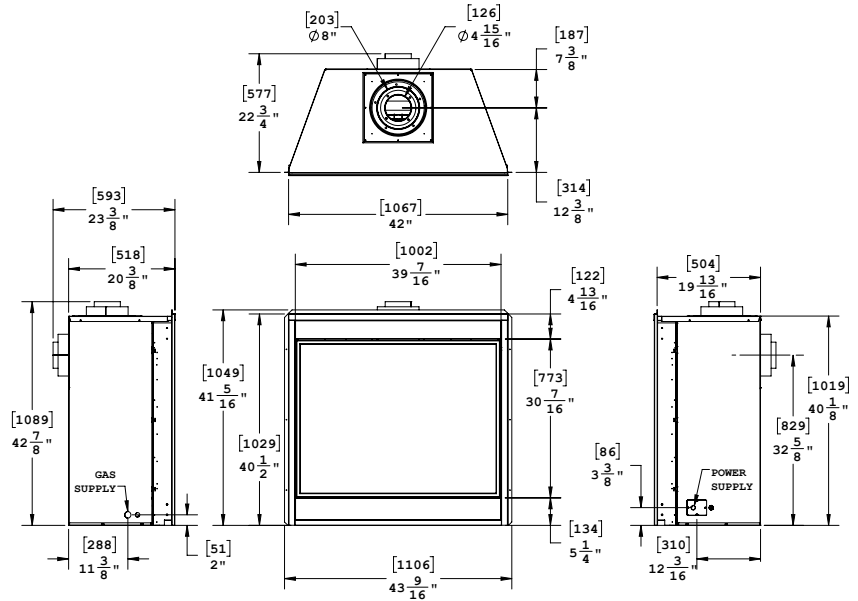
H42 & HW42

# MONTIGO®

TRADITIONAL GAS FIREPLACE

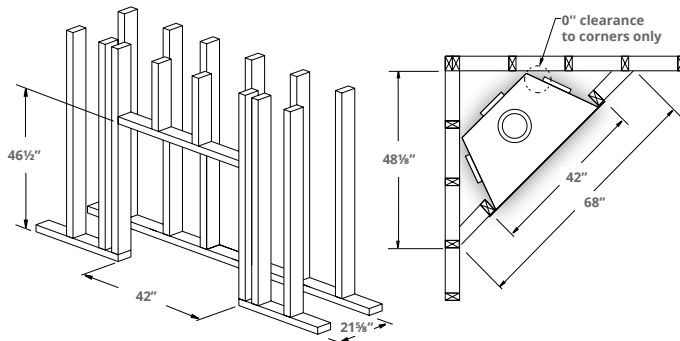
DIMENSIONS

PART	ACTUAL	FRAMING
FRONT WIDTH	43 <sup>9</sup> / <sub>16</sub> "	42"
BACK WIDTH	28 <sup>1</sup> / <sub>8</sub> "	42"
HEIGHT	41 <sup>5</sup> / <sub>16</sub> "	46 <sup>1</sup> / <sub>2</sub> "
DEPTH	20 <sup>3</sup> / <sub>8</sub> "	21 <sup>1</sup> / <sub>8</sub> "
VIEWING AREA	39 <sup>1</sup> / <sub>2</sub> " X 28 <sup>3</sup> / <sub>4</sub> "	N/A



## FEATURES

- Snap-lock door for access to firebox
- Clean face design
- Snap-lock door for access to the firebox
- Hi/lo control to adjust flame level
- Convertible to top or rear flue vent



## TECHNICAL SPECIFICATIONS

### H42 Comes standard with:

- Door screen
- Hi/lo control to adjust flame level
- 34,000 BTU Traditional burner + fiber logset

### H42 Options:

- Designer river rock kit (for natural gas only)
- Wrought iron grate
- Remote control
- Fireplace surround in satin black or stainless steel
- Traditional brick refractory and porcelain panels

### HW42 Comes standard with:

- Door screen
- Hi/lo control to adjust flame level
- 34,000 BTU Wildfire burner + logset
- Herringbone fiber brick refractory
- Wrought iron grate
- Remote control

### HW42 Options:

- Fireplace surround in satin black or stainless steel