

Installation & Maintenance Manual

MONTIGO®

the art of **fireplaces**

H34, HL34, H38, HL38, HW38, H42, HL42, HW42

INDOOR DIRECT VENT GAS FIREPLACE

H34DFN NG Traditional
H34DFL Propane Traditional
H34DFNI NG Traditional
H34DFLI Propane Traditional
HLB34DFNI NG Linear
HLB34DFLI Propane Linear
HLB34DFNI-2 NG Linear
HLB34DFLI-2 Propane Linear
H38DFN NG Traditional
H38DFL Propane Traditional
H38DFNI NG Traditional
H38DFLI Propane Traditional
HL38DFN NG Linear

HL38DFL Propane Linear
HL38DFNI NG Linear
HL38DFLI Propane Linear
HW38DFNI-2 NG Wildfire
HW38DFLI-2 Propane Wildfire
H42DFN NG Traditional
H42DFL Propane Traditional
H42DFNI NG Traditional
H42DFLI Propane Traditional
HL42DFNI NG Linear
HL42DFLI Propane Linear
HW42DFNI-2 NG Wildfire



- The installation of this fireplace must be done by a qualified and certified gas appliance installer.
- Check local codes and read all instructions prior to installation.

⚠ WARNING:
FIRE OR EXPLOSION HAZARD
Failure to follow safety warnings exactly could result in serious injury, death, or property damage.

- Do not store or use gasoline or other flammable vapors and liquids in the vicinity of this or any other appliance.
- WHAT TO DO IF YOU SMELL GAS
 - Do not try to light any appliance.
 - Do not touch any electrical switch; do not use any phone in your building.
 - Leave the building immediately.
 - Immediately call your gas supplier from a neighbour's phone. Follow the gas supplier's instructions.
 - If you cannot reach your gas supplier, call the fire department.
- Installation and service must be performed by a qualified installer, service agency or the gas fitter.

⚠ DANGER



HOT GLASS WILL CAUSE BURNS.
DO NOT TOUCH GLASS UNTIL COOLED.
NEVER ALLOW CHILDREN TO TOUCH GLASS.

A barrier designed to reduce the risk of burns from the hot viewing glass is provided with this appliance and shall be installed for the protection of children and other at-risk individuals.

NOTICE

Installer: Leave this manual with the appliance.
Consumer: Retain this manual for future reference.

⚠ CAUTION

Installation and service must be performed by a qualified installer, service agency or the gas fitter.

⚠ DANGER

Read and understand this manual. Improper installation, adjustment, alteration, service or maintenance can cause serious injury, property damage or even death. For assistance or additional information consult a qualified installer, service agency or the gas supplier.

⚠ WARNING

Some materials used in the manufacturing process of this product can expose you to Benzene which is known in the State of California to cause cancer and birth defects or other reproductive harm. For more information go to www.P65warnings.ca.gov

Safety Alert Key

DANGER

Indicates a hazardous situation which, if not avoided, WILL result in death or serious injury or property damage.

WARNING

Indicates a hazardous situation which, if not avoided, COULD result in death or serious injury or property damage.

CAUTION

Indicates a hazardous situation which, if not avoided, WILL result in minor or moderate injury.

NOTICE

Indicates practices that are important, but not related to personal injury.

Introduction

Congratulations on your purchase of a Montigo Fireplace.

With over 30 years of experience, Montigo is committed to providing you with a gas fireplace that is not only a beautiful addition to your space, but that is also designed and manufactured to the highest safety, reliability and engineering standards.

We strongly encourage you to read and carefully follow the instructions laid out in this Installation, Operation and Maintenance Manual and retain it for your future reference. Pay special attention to all cautions, warnings, and notices throughout this manual intended to ensure your safety.

This manual covers installation, operation and maintenance. Lighting, operation and care of this fireplace can be easily performed by the homeowner. All installation and service work should be performed by a qualified or licensed installer, plumber or gas fitter as certified by the state, province, region or governing body where the fireplace is being installed.

This installation, operation and maintenance manual is applicable to the models described in Table 1. Refer to your rating plate to verify included options.

Warranty and Installation Information: (See Appendix B)

The Montigo warranty will be voided by, and Montigo disclaims any responsibility for, the following actions:

- Modification of the fireplace and/or components including Direct-Vent assembly or glass doors.
- Use of any component part not manufactured or approved by Montigo in combination with this Montigo fireplace system.
- Installation other than as instructed in this manual.
- Consult your local Gas Inspection Branch on installation requirements for factory-built gas fireplaces. Installation & repairs should be done by a qualified contractor.

MODEL	Natural Gas	Propane	Gas Rating (BTU hr)	Traditional Burner /Logset	Linear Burner	Wildfire burner	SIT Electronic Ignition	Standing pilot
H34DFN	X		18,000	X				X
H34DFNI	X		18,000	X			X	
H34DFL		X	18,000	X				X
H34DFLI		X	18,000	X			X	
HLB34DFNI	X		18,000		X		X	
HLB34DFLI		X	18,000		X		X	
HLB34DFNI-2	X		18,000		X		X	
HLB34DFLI-2		X	18,000		X		X	
H38DFN	X		26,000	X				X
H38DFL		X	26,000	X				X
H38DFNI	X		26,000	X			X	
H38DFLI		X	26,000	X			X	
HL38DFN	X		25,000		X			X
HL38DFL		X	25,000		X			X
HL38DFNI	X		25,000		X		X	
HL38DFLI		X	25,000		X		X	
HW38DFNI-2	X		34,000			X	X	
HW38DFLI-2		X	30,000			X	X	
H42DFN	X		34,000	X				X
H42DFL		X	32,000	X				X
H42DFNI	X		34,000	X			X	
H42DFLI		X	32,000	X			X	
HL42DFNI	X		34,000		X		X	
HL42DFLI		X	32,000		X		X	
HW42DFNI-2	X		34,000			X	X	

Figure 1 H34, H38, H42 Specifications

Contents

Safety Alert Key	2	H42.....	28
Introduction	2	Finishing around the fireplace.....	29
Section A: Before You Begin.....	4	Section 7: Screen Installation and Removal	30
Installation Checklist.....	4	Removing the Screen.....	30
Standard Installation Checklist.....	5	To Install Screens.....	30
Section 1: Product Dimensions	7	Replacement Screens.....	30
H34 Dimensions.....	7	Section 8: Installing & Removing the Door	31
H38 Dimensions.....	8	Removing the door.....	31
H42 Dimensions.....	8	Reinstalling the door.....	31
Section 2: Framing	9	Section 9: Installing the Accessories	32
In Wall and Corner Dimensions.....	9	HLB34, HL38, HL42 Installing the Firestones or optional Fireglass.....	32
Shelf over the fireplace, Rear vent.....	9	HLB34-2 Installing Speckled Stones.....	32
Shelf over the fireplace, Top vent.....	9	HLB34-2 Installing Driftwood.....	32
Alcove above the fireplace.....	9	Traditional Logset Installation H34DF.....	33
Clearances.....	10	River Rock Kit H34DF.....	34
Installing The Standoffs.....	10	Traditional Logset Installation H38DF.....	37
Installing the Nailing Flange Extension.....	10	Traditional Logset Installation H42DF.....	37
Section 3: Venting	11	Wildfire Logset Installation HW38DF.....	38
Section 3-1: Converting top/rear vent.....	11	Wildfire Logset Installation HW42DF.....	38
Section 3-1-1: Air Baffle for H38DF & H42DF Only.....	11	H38 Designer River Rocks Installation.....	39
Section 3-2: Installing a Roof Mounted Direct Vent Termination	12	H42 Designer River Rocks Installation.....	39
Section 3-2-1: Venting Layout.....	12	Section 10: Start up Sequence	40
Section 3-3-1: Venting Layout: Wall Mounted Termination	13	Standing (Continuous) Pilot Ignition (SIT 820).....	40
H34 Top Venting Graph.....	13	SIT Proflame 2 Electronic Ignition.....	41
H34 Rear Venting Graph.....	14	Remote Operation	42
H38 Top Venting Graph.....	15	Initializing the System for the first time.....	43
H42 Top Venting Graph.....	16	Operating the System for the first time.....	43
H38 Rear Venting Graph.....	17	Temperature Indication Display.....	43
H42 Rear Venting Graph.....	18	Turn On the Fireplace.....	43
45° Corner Installation 4" / 7".....	19	Turn Off the Fireplace.....	43
45° Corner Installation 5" / 8".....	19	Remote-Flame Control.....	43
45° or less Corner Installation 4" / 7".....	19	Room Thermostat (Remote Control Operation).....	44
45° or less Corner Installation 5" / 8".....	19	Smart Thermostat (Remote Control Operation).....	44
Section 3-3: Installing a Wall Mounted Termination	20	Disabling Thermostat.....	44
Section 3-3-2.2: Duravent DirectVent Pro 4" x 6 3/8" Venting Components.....	21	Fan Speed Control.....	44
Section 3-3-2: 5" / 8" Venting Components.....	22	Section 10: Cleaning and Maintenance	45
Section 3-3-3: Heat Shields	23	General.....	45
Section 4: Wiring	24	Cleaning.....	45
SIT Nova 820 wiring.....	24	Hi-Lo Burner Adjustment: (SIT 820).....	45
CPI [Continuous Pilot Ignition] / IPI [Intermittent Pilot Ignition] Jumper Cable Installation	26	Hi-Lo Burner Adjustment: (Proflame 2).....	45
"Why use CPI mode?".....	26	Pilot Burner Adjustment.....	45
The difference between IPI and CPI:.....	26	Troubleshooting SIT 820.....	46
Installing the CPI Jumper Cable.....	26	Troubleshooting SIT Proflame 2.....	46
Section 5: Installing the gas line	27	Replacement Parts	47
Section 5-1: Fuel Conversion.....	27	Replacement Parts List - Standing Pilot.....	47
Section 5-2: Gas Pressure.....	27	Replacement Parts List - SIT IPI Proflame 2.....	47
Section 5-3: GAS CONNECTION.....	27	Appendix A: Venting Terminations	48
H34 Gas line access.....	27	Appendix B: Warranty	49
H38 Gas line access.....	27	Appendix B: Warranty Continued	50
H42 Gas line access.....	27	Appendix C: Amendment (Gas Fireplace / Equipment sold in the State of Massachusetts).....	51
Section 6: Finishing	28		
Mantels & Surrounds.....	28		
Fireplace Facing.....	28		
H34.....	28		
H38.....	28		
Flush Finishing the Fireplace.....	28		

Section A: Before You Begin

IMPORTANT MESSAGE: SAVE THESE INSTRUCTIONS

This fireplace must be installed in accordance with these instructions. Carefully read all the instructions in this manual first. Consult the Local Gas Branch to determine the need for a permit prior to starting the installation. It is the responsibility of the installer to ensure this fireplace is installed in compliance with the manufacturers instructions and all applicable codes.

NOTICE

Do not use this appliance if any part has been under water. Immediately call a qualified service technician to inspect the appliance and to replace any part of the control system and any gas control that has been under water

NOTICE

Due to high temperatures, the appliance should be located out of traffic and away from furniture and draperies

NOTICE

Children and adults should be alerted to the hazards of high surface temperature and should stay away to avoid burns or clothing ignition

NOTICE

A barrier designed to reduce the risk of burns from the hot viewing glass is provided with this appliance and shall be installed for the protection of children and other at-risk individuals

Installation Checklist

- Determine the desired install location of your fireplace.
- See Section 1, Dimensions and refer to the Framing Section 2 for details.
- Select the location of your termination and resulting vent run.
- Your selected termination location must be the highest point in the Direct Vent installation.
- Should it be impossible to meet the venting requirements laid out in Section 3: Venting, please contact a local Montigo dealer regarding the use of a Montigo Power Vent.
- Lay out the Vent run; calculating the required elbows and straight runs of 4"/7" or 5"/8" flex and/or rigid pipe.
- Layout Electrical Requirements Refer to Section 4: Wiring, for Details.
- Refer to Section 5: Installing the Gas Line, for details on the gas connection and access.
- Refer to local codes and guidelines for installation requirements.
- Installation and repairs should be done by a qualified contractor and must conform to:
 - Installations in Canada must conform to the local codes or in the absence of local codes to the current version of Natural Gas and Propane Installation Code, CSA B149. Electrical installations must conform to the local codes or, in the absence of local codes, to the current version of Canadian Electrical Code, CSA C22.1.1
 - Installations in the USA must conform to the local codes or in the absence of local codes to the current version of National Fuel Gas Code, ANSI Z223.1/NFPA 54. Electrical installations must conform to the local codes or, in the absence of local codes, to the current version of the National Electrical Code, ANSI/NFPA 70. See Appendix C for installation within the State of Massachusetts

NOTICE

Clothing or other flammable material should not be placed on or near the appliance

NOTICE

Installation and repair should be done by a qualified service person. The appliance should be inspected before use and at least annually by a professional service person. More frequent cleaning might be required due to excessive lint from carpeting, bedding material, etc. It is imperative that control compartments, burners, and circulating air passageways of the appliance be kept clean

Standard Installation Checklist

This standard installation checklist is to be used by the installer in conjunction with, not instead of, the instructions contained within this installation manual.

Customer _____	Date Installed: _____
Install Address: _____	Location of Fireplace: _____
	Installer: _____
Model (circle one): H34DFNI, HLB34DFNI, HLB34DFNI-2, H38DFN, H38DFL, H38DFNI, H38DFLI, HL38DFN HL38DFL, HL38DFNI, HL38DFLI, HW38DFNI-2, HW38DFLI-2, H42DFN H42DFL, H42DFNI, H42DFLI, HL42DFNI, HL42DFLI, HW42DFNI-2	Dealer Phone: _____
	Serial #: _____

	YES	NO	IF NO, WHY NOT?
Appliance Install: Section 2			
Framing complies with install manual.			
Standoffs have been installed.			
Proper clearances have been maintained.			
Venting: Section 3			
Venting configuration complies with vent diagrams.			
Venting installed, fastened, and secured in place maintaining proper clearance.			
Firestops installed.			
Exterior wall/roof flashing installed and sealed in compliance with local building code.			
Terminations installed and sealed in compliance with local building code.			
Direct vent termination is highest point in vent assembly.			
Wiring/Electrical: Section 4			
Unswitched power provided to the appliance PPO box.			
Low voltage wire connected to dry contact wall switch (non-powered)*			
Gas: Section 5			
Proper appliance for fuel type.			
Was a conversion performed?			
Leak check performed & inlet pressure verified.			
Finishing: Section 6			
Only non-combustible materials installed in non-combustible areas.			
Clearances meet installation manual requirements			
Mantels and/or projections comply with install manual			
Appliance Setup: Section 7 through 9			
Media, door, and screen installed according to install manual			
Manual given to home owner.			
Started appliance and verified no gas leaks exist.			
Comments:			



**Do Not Remove
This Label**
**N'enlevez Pas
Cette Étiquette**

Type: **Vented Gas Fireplace Heater** **For Indoor Use Only**
Not for use with solid fuel. / Pas pour l'usage avec le combustible solide.
Not for use with air filters. / Pas pour l'usage avec des filtres à air.

Model No. Modèle. H34DF-F
Serial No.: 2-170911-000000

Manufacturer / Fabricant: Canadian Heating Products Inc., Langley BC, (www.montigo.com)
Montigo DelRay Corp., Ferndale, WA. (www.montigo.com)

Tested To / Examiné À: **ANSI Z21.88-2016 / CSA 2.33-2016**
Electrical Rating / Estimation Électrique: With Elec. Ign or Fans, 115V / 1 Ph./ 60 Hz./less than 12A
Altitude Rating / Estimation D'Altitude: N & H (0 - 4500 ft. / 0 - 1371 m.)

Fuel Type / Type De Carburant:

- Natural Gas / Gaz Naturel**
 Propane / Gaz Propane

Max. Input Max. Entrée BTU/H	Min. Input Min. Entrée BTU/H	Output / Rendement BTU/H	Orifice Size / Taille D'Orifice Front/Avant Rear/Derrière	Gas Manifold Pressure / Pression D'Admission Du Gaz	Min. Gas Supply Pressure/ Min. Pression D'Alimentation Du Gaz
18,000	14,000	N/A	1.95 mm / N/A	3.5" W.C.	5.5" W.C.
18,000	14,000	N/A	56 dms / N/A	10" W.C.	11" W.C.

FOR USE WITH GLASS DOORS AND SCREENS CERTIFIED WITH THE APPLIANCE ONLY
Pour utilisation avec portes de verre and écrans de certifiés avec l'appareil seulement

***Refer to installation manual for more information.**

***Référez-vous au manuel d'installation pour plus d'information.**

LBA123-V5.2 SIT IPI -with screen AUG 17, 2015

***Clearance to Combustibles
*Degagements Aux Combustibles**

Sides/Côtés:	1"
Back/Derrière:	2"
Top-Top Vent/Du Haut-Évent Du Haut:	17 1/2"
Top-Rear Vent/Du Haut-Évent Arrière:	9"
Floor/Plancher:	0"
Mantel/Manteau:	6"
Recess Depth/ Profondeur D'Encadrement:	20"
:	

Figure 1.1 Rating Plate for H34 IPI electronic ignition



**Do Not Remove
This Label**
**N'enlevez Pas
Cette Étiquette**

Type: **Vented Gas Fireplace Heater** **For Indoor Use Only**
Not for use with solid fuel. / Pas pour l'usage avec le combustible solide.
Not for use with air filters. / Pas pour l'usage avec des filtres à air.

Model No. Modèle. H42DF
Serial No.: 2-170811-XXXXXX

Manufacturer / Fabricant: Canadian Heating Products Inc., Langley BC, (www.montigo.com)
Montigo DelRay Corp., Ferndale, WA. (www.montigo.com)

Tested To / Examiné À: **ANSI Z21.88-2016/CSA 2.33-2016**
Electrical Rating / Estimation Électrique: With Elec. Ign or Fans, 115V / 1 Ph./ 60 Hz./less than 12A
Altitude Rating / Estimation D'Altitude: N & H (0 - 4500 ft. / 0 - 1371 m.)

Fuel Type / Type De Carburant:

- Natural Gas / Gaz Naturel**
 Propane / Gaz Propane

Max. Input Max. Entrée BTU/H	Min. Input Min. Entrée BTU/H	Output / Rendement BTU/H	Orifice Size / Taille D'Orifice Front/Avant Rear/Derrière	Gas Manifold Pressure / Pression D'Admission Du Gaz	Min. Gas Supply Pressure/ Min. Pression D'Alimentation Du Gaz
34,000	24,000	N/A	1.95 mm / 1.95 mm	3.5" W.C.	5.5" W.C.
32,000	25,000	N/A	56 DMS / 56 DMS	10" W.C.	11" W.C.

FOR USE WITH GLASS DOORS AND SCREENS CERTIFIED WITH THE APPLIANCE ONLY
Pour utilisation avec portes de verre and écrans de certifiés avec l'appareil seulement

***Refer to installation manual for more information.**

***Référez-vous au manuel d'installation pour plus d'information.**

LBA120x Distinction Series no CSA 27-02-2017

***Clearance to Combustibles
*Degagements Aux Combustibles**

Sides/Côtés:	1"
Back/Derrière:	1"
Top-Top Vent/Du Haut-Évent Du Haut:	17 1/2"
Top-Rear Vent/Du Haut-Évent Arrière:	9"
Floor/Plancher:	0"
Mantel/Manteau:	4"
Recess Depth/ Profondeur D'Encadrement:	21"
:	

Figure 1.1 Rating Plate for H38 IPI electronic ignition



**Do Not Remove
This Label**
**N'enlevez Pas
Cette Étiquette**

Type: **Vented Gas Fireplace Heater** **For Indoor Use Only**
Not for use with solid fuel. / Pas pour l'usage avec le combustible solide.
Not for use with air filters. / Pas pour l'usage avec des filtres à air.

Model No. Modèle. H38DF-F
Serial No.: 2-170811-XXXXXX

Manufacturer / Fabricant: Canadian Heating Products Inc., Langley BC, (www.montigo.com)
Montigo DelRay Corp., Ferndale, WA. (www.montigo.com)

Tested To / Examiné À: **ANSI Z21.88-2016/CSA 2.33-2016**
Electrical Rating / Estimation Électrique: With Elec. Ign or Fans, 115V / 1 Ph./ 60 Hz./less than 12A
Altitude Rating / Estimation D'Altitude: N & H (0 - 4500 ft. / 0 - 1371 m.)

Fuel Type / Type De Carburant:

- Natural Gas / Gaz Naturel**
 Propane / Gaz Propane

Max. Input Max. Entrée BTU/H	Min. Input Min. Entrée BTU/H	Output / Rendement BTU/H	Orifice Size / Taille D'Orifice Front/Avant Rear/Derrière	Gas Manifold Pressure / Pression D'Admission Du Gaz	Min. Gas Supply Pressure/ Min. Pression D'Alimentation Du Gaz
26,000	20,000	N/A	42 DMS /	3.5" W.C.	5.5" W.C.
26,000	20,000	N/A	53 DMS / N/A	10" W.C.	11" W.C.

FOR USE WITH GLASS DOORS AND SCREENS CERTIFIED WITH THE APPLIANCE ONLY
Pour utilisation avec portes de verre and écrans de certifiés avec l'appareil seulement

***Refer to installation manual for more information.**

***Référez-vous au manuel d'installation pour plus d'information.**

LBA120x Distinction Series no CSA 27-02-2017

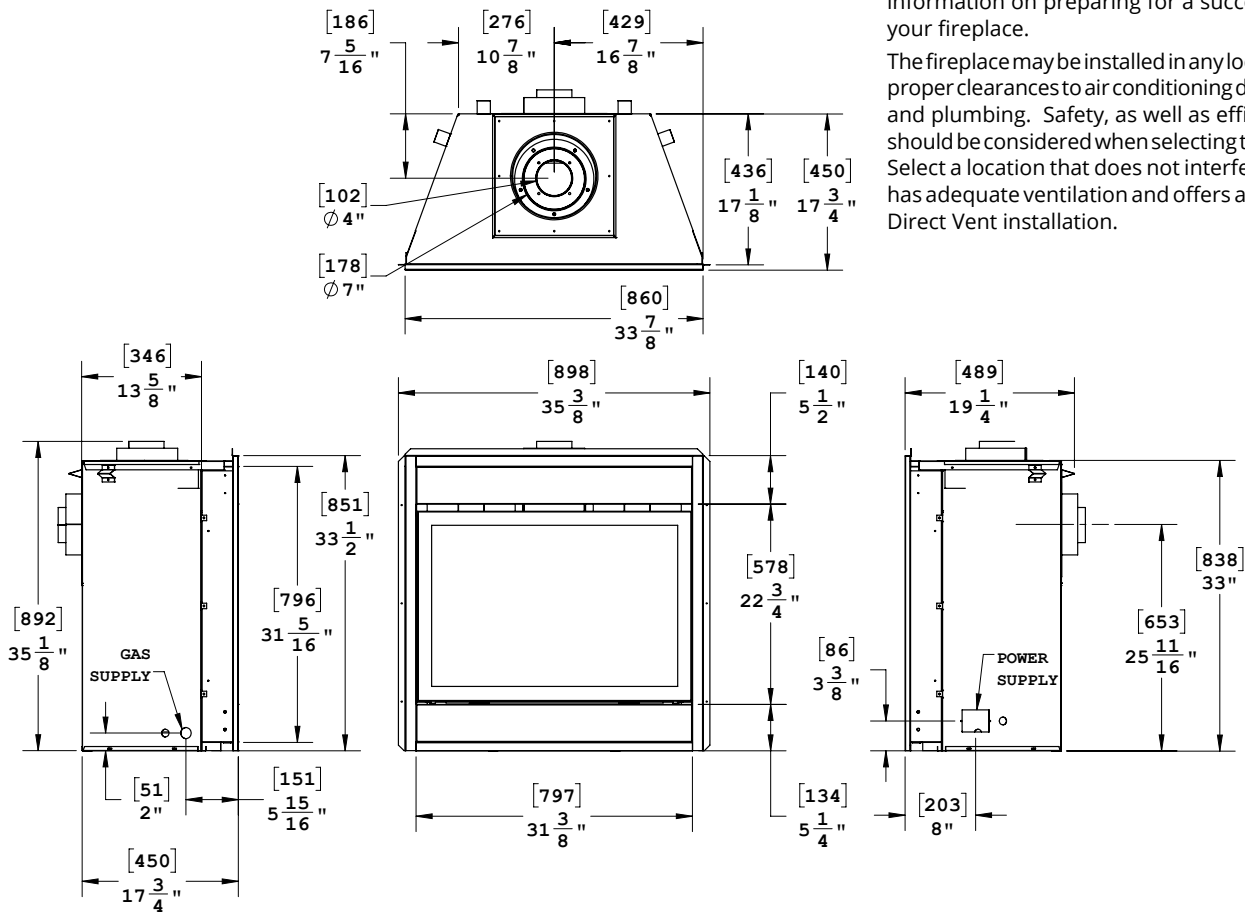
***Clearance to Combustibles
*Degagements Aux Combustibles**

Sides/Côtés:	1"
Back/Derrière:	1"
Top-Top Vent/Du Haut-Évent Du Haut:	17 1/2"
Top-Rear Vent/Du Haut-Évent Arrière:	9"
Floor/Plancher:	0"
Mantel/Manteau:	6"
Recess Depth/ Profondeur D'Encadrement:	20 1/2"
Flue:	1"

Figure 1.2 Rating Plate for H42 IPI electronic ignition

Section 1: Product Dimensions

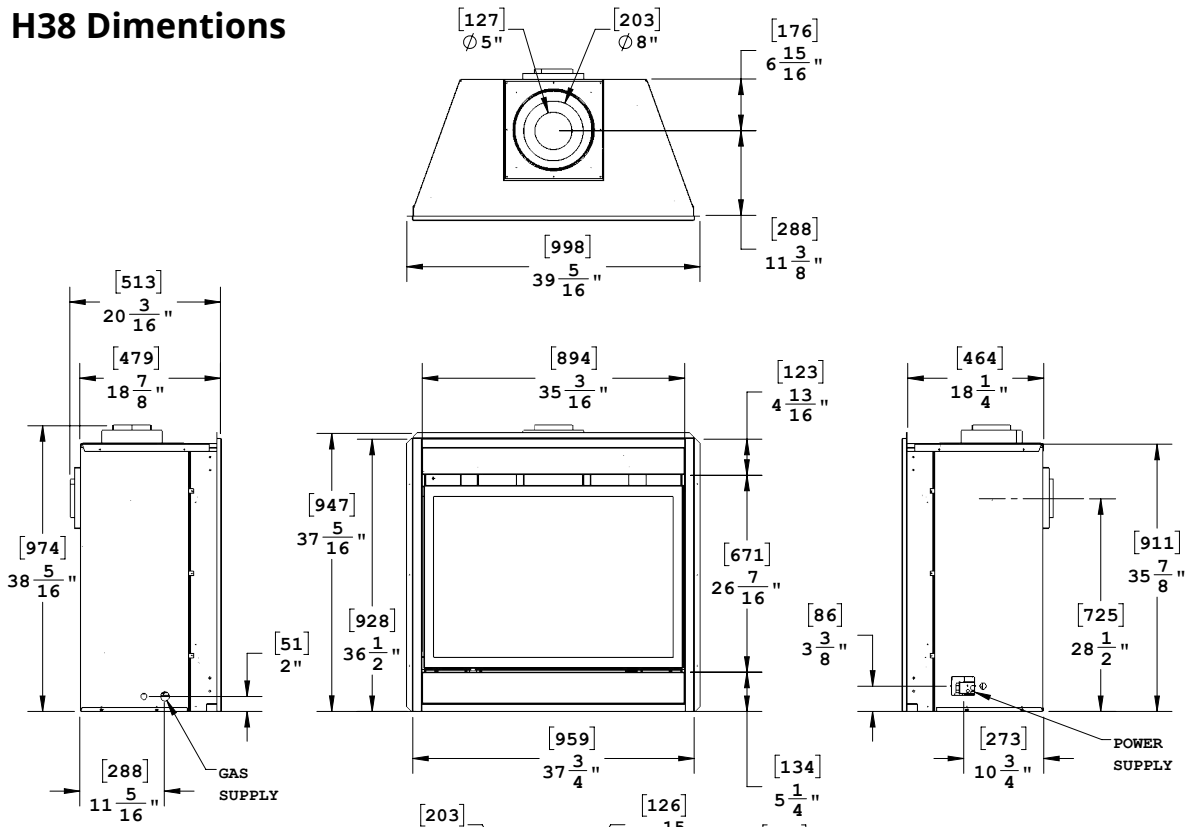
H34 Dimensions



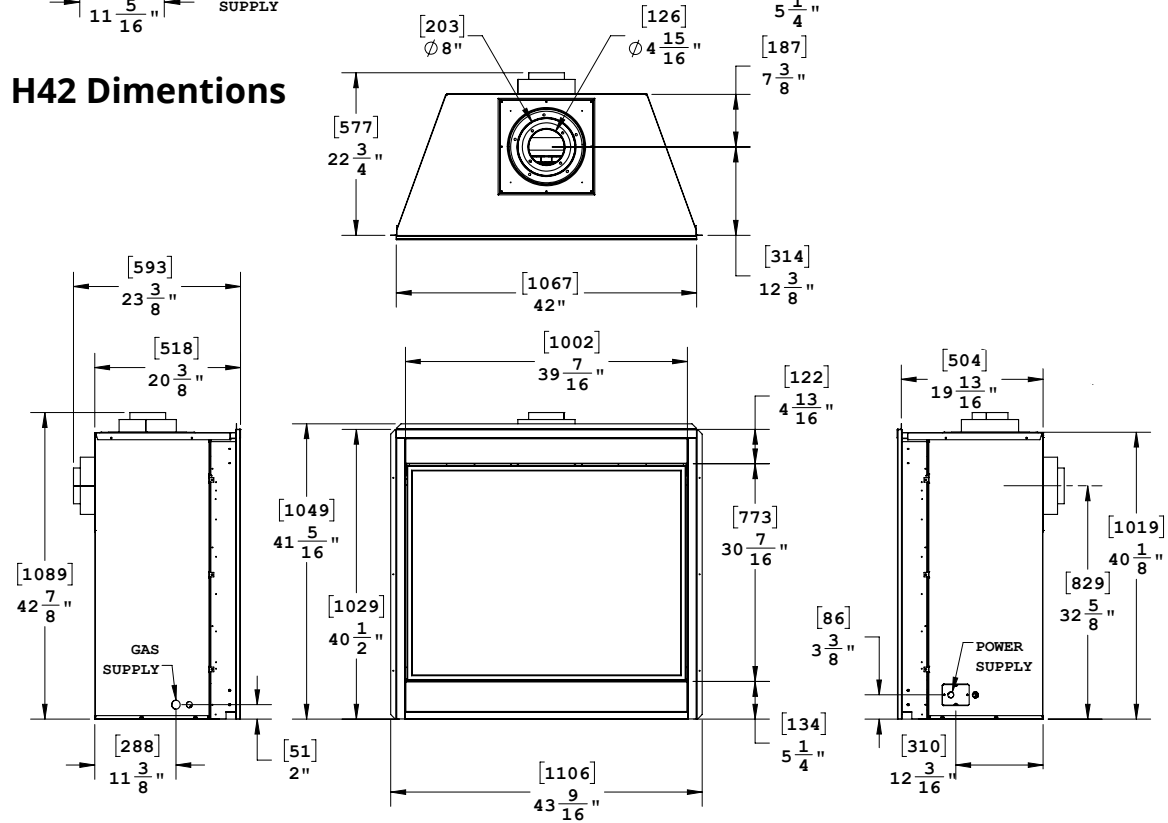
Please review the Installation Checklist for general information on preparing for a successful installation of your fireplace.

The fireplace may be installed in any location that maintains proper clearances to air conditioning ducts, electrical wiring and plumbing. Safety, as well as efficiency of operation, should be considered when selecting the fireplace location. Select a location that does not interfere with room traffic, has adequate ventilation and offers an accessible path for Direct Vent installation.

H38 Dimensions



H42 Dimensions

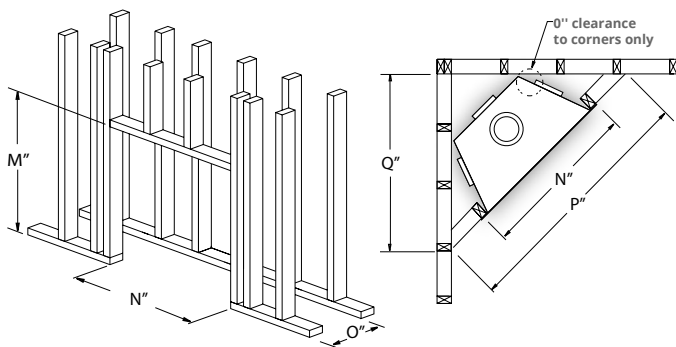


Section 2: Framing

In Wall and Corner Dimensions

1). Frame in the enclosure for the unit with framing materials.

NOTE: When constructing the framed opening, please ensure there is access to install the gas line when the unit is installed



* When sheetrock is not used behind the fireplace, framing depth "O" may be reduced by 5/8".

	M	N	O	P	Q	R	S	T	U
H34	39"	33 ³ / ₈ "	20"	56 ¹ / ₄ "	40"	N/A	33"	26"	41 ¹ / ₂ "
H38	42"	37 ³ / ₄ "	21 ¹ / ₈ "	62"	43 ³ / ₈ "	N/A	35 ³ / ₈ "	28 ³ / ₄ "	45"
H42	46 ¹ / ₂ "	42"	21 ¹ / ₈ "	68"	48 ¹ / ₈ "	N/A	40 ¹ / ₈ "	33"	49"

Figure 3. Framing dimensions (Straight wall & Corner Installation).

⚠ WARNING

When this appliance is installed directly on ANY combustible other than wood flooring (carpet, vinyl, etc.). It must be installed on an equivalent wood or metal panel. This material must extend the full width and depth of the appliance.

NOTICE

Clearances must be in accordance with local installation codes and the requirements of the gas supplier

Shelf over the fireplace, Rear vent

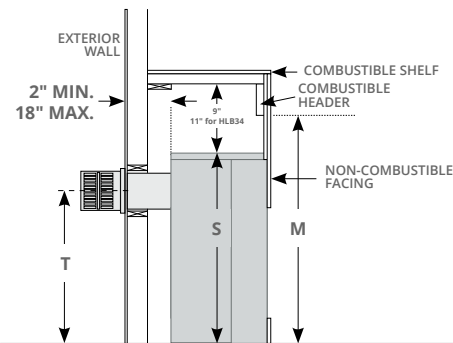


Figure 3.b Combustible Framing for shelves over the fireplace, Rear vent.

Shelf over the fireplace, Top vent

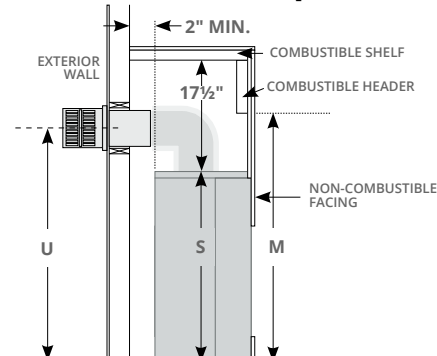


Figure 3.c Combustible Framing for shelves over the fireplace, Top vent.

Alcove above the fireplace

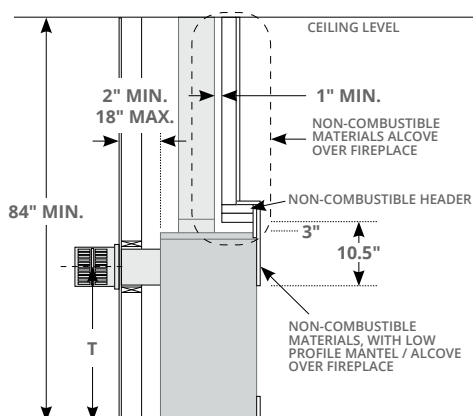


Figure 3.d Non Combustible Framing with alcove above fireplace

Clearances

When installing a shelf over the top of the fireplaces, the following guidelines must be adhered to:

For Rear Vent applications, the minimum clearance is 1" from the rear of the fireplace to a wall, or any combustible materials, and 11" clearance from the top of the fireplace to the underside of any combustible shelf materials.

For Top Vent applications, the minimum clearance is 1" from the rear of the fireplace to a wall, or any combustible materials, and 17 1/2" to the underside of any combustible shelf materials.

1" clearance is maintained on sides and bottom of vent runs and 2" above horizontal vent runs to any combustible material.

MODEL	Top - Rear vent †	Top - Top vent †	Sides	Rear	Floor
H34DF*	9"	17½"	1"	2"	0"
HLB34DF*	11"	17½"	1"	2"	0"
H*38DF*1-2	9"	17½"	1"	2"	0"
HW38DF*1-2	9"	17½"	1"	3"	0"
H*42DF*1-2	9"	17½"	1"	1"	0"

Figure 4. Combustible Wall Clearances

† Note: Clearance from top of fireplace to a ceiling within the fireplace enclosure.

** Note: For mantel clearance, please refer to Section 6: Finishing

Installing The Standoffs

To avoid elevated mantel temperatures, all H-Series gas fireplaces are required to have the supplied standoffs installed. The fireplace is supplied with two standoffs. Bend and install these standoffs on top of the fireplace ensuring that the height of the standoff maintains a 8" clearance.

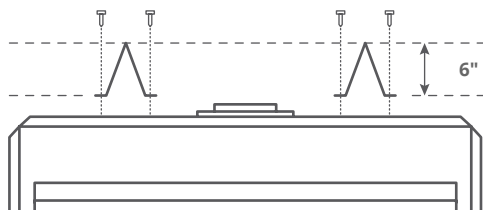


Figure 4.b Installing standoffs

Installing the Nailing Flange Extension

Note: The nailing flange extension can be substituted with a piece of NON-Combustible material of the same size and thermal characteristics, ie: cement board or equivalent. This is recommended in applications where the facing materials will not adhere to the metal nailing flange.

Once the fireplace is placed into the rough framed opening, the supplied Nailing Flange Extension must be fasten securely into place, with nails or wood screws.

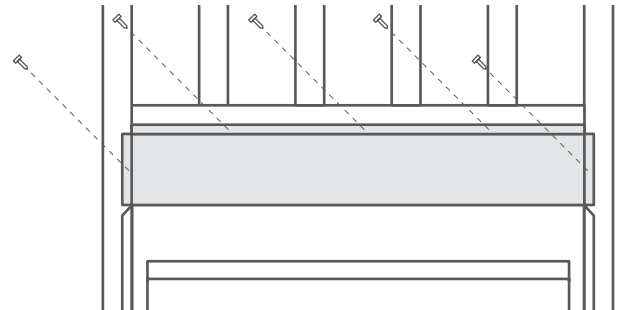


Figure 4.c Installing standoffs

The Supplied nailing extension must be placed along the top edge of the fireplace and securely fastened in place to the non combustible header and combustible wood framing.

Section 3: Venting

Montigo supplies a variety of direct venting and termination options. The direct vent termination location **MUST** be selected such that it is the highest point in the venting assembly. It should also be selected such that it provides the shortest vent run possible. Should it be impossible to ensure that the termination is the highest point or to meet the venting guidelines laid out below please contact your Montigo dealer to discuss power venting options.

Notes For Planning Venting:

- Venting can originate from the unit through the top or through the rear
- Venting can terminate through the roof or through an exterior wall.
- Refer to Appendix A - Termination Locations to ensure the planned termination location is acceptable.
- Once the termination location has been established, refer to the appropriate section below for installation details
- All fireplaces shipped from the factory are top vent.
- **Silicone** application is **NOT** required when joining Montigo vent pipes and components.

Section 3-1: Converting top/rear vent

Use the following instructions to convert a unit for side vent use:

- Remove the rear flue cover and gasket on the flue outlet.
- Next, Remove the Top flue collar's on the flue outlet.
- Install the (removed) rear flue cover and gasket material, to the Top vent outlet. Fasten the cover with included hardware.
- Install the collars to the rear vent outlet using the included hardware.

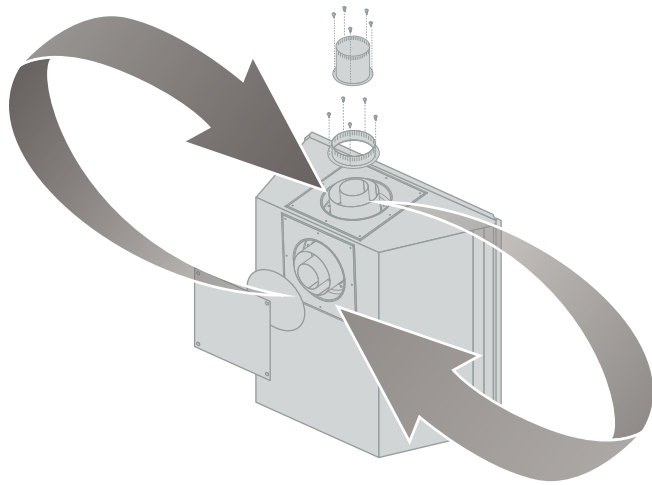


Figure 5. Flue cover and collar removal and install, Top Vented fireplace.



NOTICE

Under no circumstances can Montigo flex venting be cut to accommodate an installation. Use an alternative length to complete your vent run.

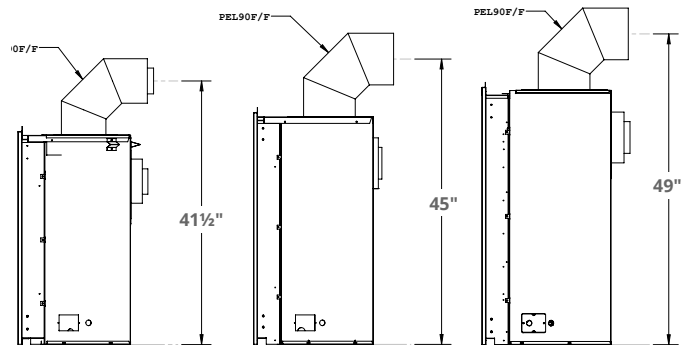


Figure 5.b Vent centers for top venting.

Section 3-1-1: Air Baffle for H38DF & H42DF Only

- NOTE: Air Baffle is shipped open. If you are top venting, the air baffle should be closed following these steps:

STEP 1: Pull the air baffle forward as far as possible and screw the air baffle closed.



Section 3-2: Installing a Roof Mounted Direct Vent Termination

This section applies to installations where the direct vent termination will be roof mounted.

Section 3-2-1: Venting Layout

Selection of components and details of venting lay out should adhere to the following guidelines:

- The maximum termination point is 32' above the fireplace (NOTE: if the maximum termination height is used, the flame pattern may be affected).
- The Vertical termination must be a minimum 2' higher than where the termination exits the roofing materials, (asphalt shingles, cedar shakes, etc). This distance should be measured from the high side of the roof slope where the flue flashing intersects the roofing materials. (see Figures 8 to 8c).
- See Appendix A for termination locations.
- For a more detailed diagram of allowed termination locations, see Appendix A.
- A maximum of two offsets (each offset is made up of 2-90° bends) may be made for vertical vent runs.
- Firestops must be installed as required by National & local codes.
- Ensure all horizontal runs are supported with a minimum of 3 supports per 10' of venting.
- Install all roof flashing and storm collars as shown.

Roof mounted terminations

The following details are some possible configurations for roof mounted terminations. See below.

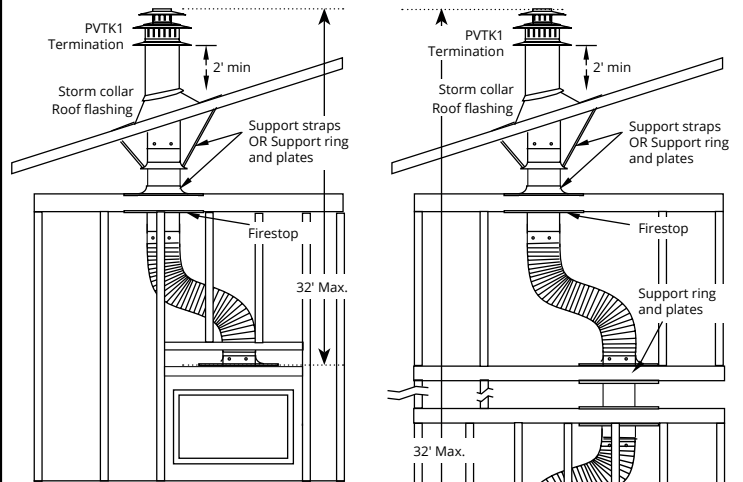


Figure 6.b Top vent, Roof mounted with 1 offset (1 offset= two 90° bends).

Figure 6.c Top vent, Roof mounted with 2 offsets (1 offset= two 90° bends).

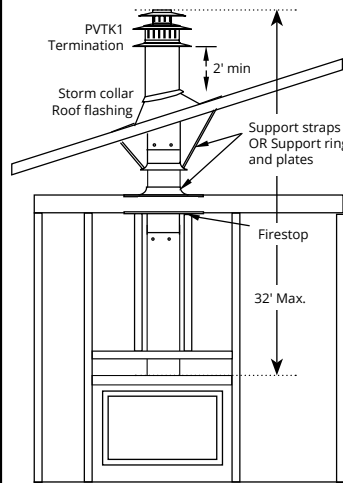


Figure 6. Top vent, roof mounted termination with no offset in vent run.

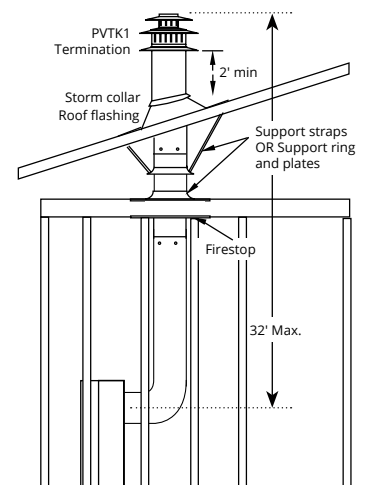
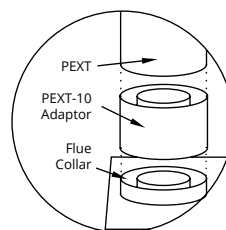


Figure 6.d Side vent, Roof mounted venting (1 = 90° bend).



Section 3-3-1: Venting Layout: Wall Mounted Termination

H34 Top Venting Graph

Measure the vertical height from the fireplace hearth to the centre of the termination and the horizontal run from the fireplace flue collar to the wall flange of the termination. Plot on the Venting Graph with an 'X'. If the 'X' falls on or above the top boundary of the shaded area, the installation is acceptable.

Selection of components and details of venting layout should adhere to the following guidelines:

- Vent terminations must not be recessed in walls or siding.
- For Heat Shield requirements see Section 3-3.
- Once the proposed venting layout has been determined refer to graph to ensure the layout is acceptable.

Notes Wall Mounted Terminations: TOP VENT

- All measurements for vertical or horizontal runs are measured from center of the vent pipe.
- Venting runs must fall within the limits set by the venting graph.

Wall mounted Terminations:

The following details are some possible configurations for Wall mounted terminations. See below.

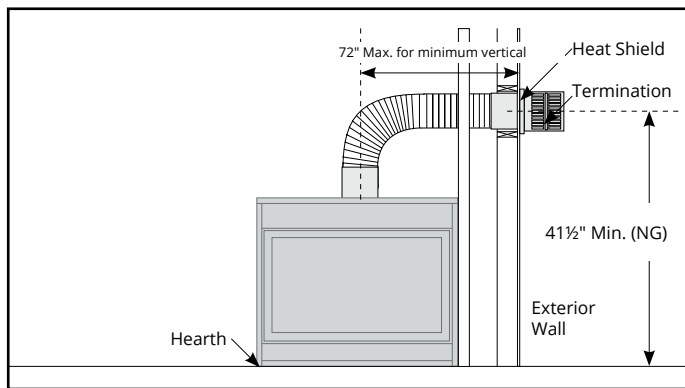


Figure 8. Top Vented, wall mounted installation with 1 elbow (1 one 90° bend). The vent run must comply with Venting Graph for Top vent, wall mounted terminations

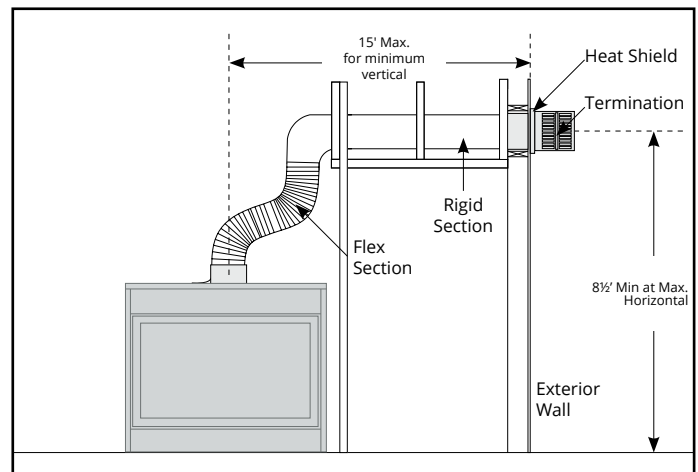


Figure 8.d Top Vented, wall mounted Multi-elbow installation. The vent run must comply with Venting Graph for Top vent, wall mounted terminations,

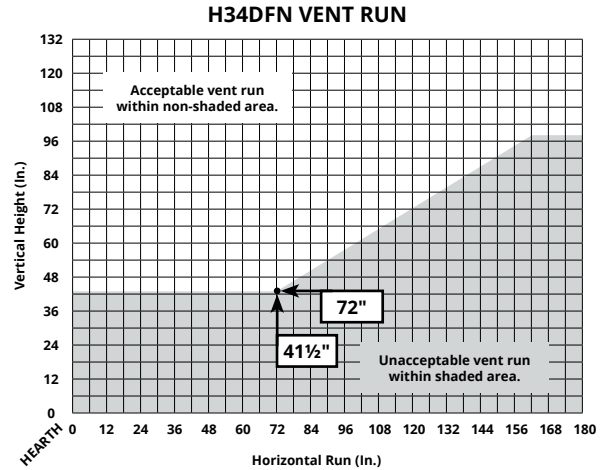


Figure 8.b H34DFN Top Vent Venting Graph for wall mounted terminations

H34 Rear Venting Graph

Measure the vertical height from the fireplace hearth to the centre of the termination and the horizontal run from the fireplace flue collar to the wall flange of the termination. Plot on the Venting Graph with an 'X'.

If the 'X' falls on or above the top boundary of the shaded area, the installation is acceptable.

Example A: (Acceptable Installation)

If the vertical dimension from the hearth is 60" and the horizontal run to the wall flange of the vent termination is 24", this would be an acceptable installation.

Example B: (Acceptable Installation)

If the vertical dimension from the hearth is 78" and the horizontal run to the wall flange of the vent termination is 60", this would be an acceptable installation.

Example C: (Unacceptable Installation)

If the vertical dimension from the floor of the fireplace is 60" and the horizontal run to the wall flange of the vent termination is 120", this would NOT be an acceptable installation.

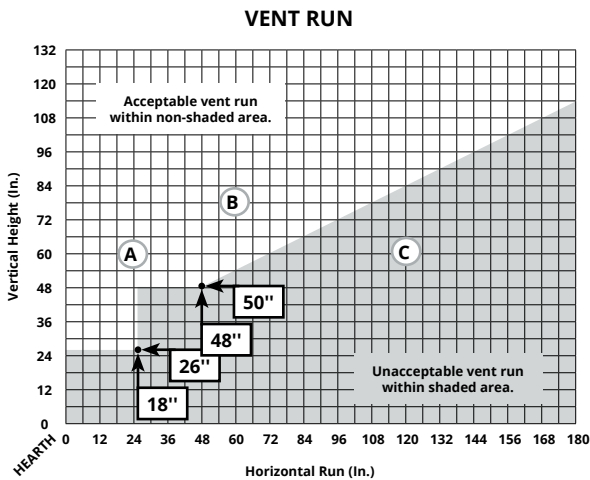


Figure 9. H*34DF* Rear Vent Venting Graph for wall mounted terminations

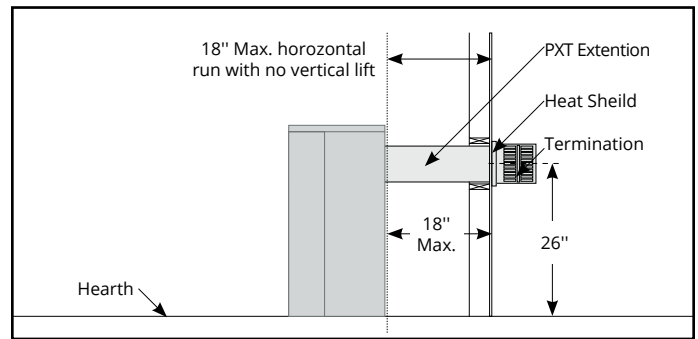


Figure 9.b Straight run, Rear Vented, wall mounted termination.

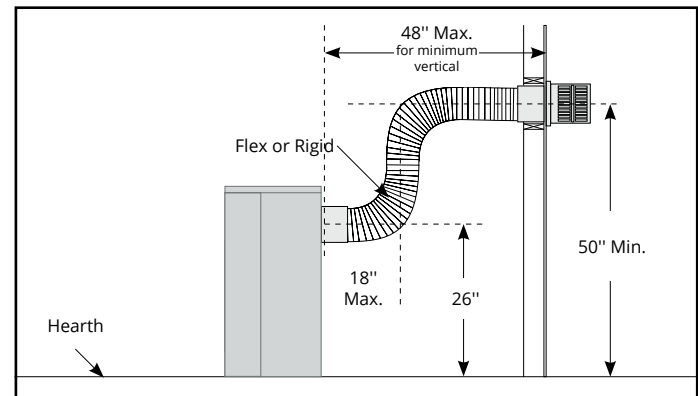


Figure 9.c Rear Vented, wall mounted Multi-elbow termination installation. Multi-elbow venting installation for H*34DF* must have a minimum vertical rise of 50". The vent run must comply with the Venting Graph

H38 Top Venting Graph

Measure the vertical height from the fireplace hearth to the centre of the termination and the horizontal run from the fireplace flue collar to the wall flange of the termination. Plot on the Venting Graph with an 'X'. If the 'X' falls on or above the top boundary of the shaded area, the installation is acceptable.

Selection of components and details of venting layout should adhere to the following guidelines:

- Vent terminations must not be recessed in walls or siding.
- For Heat Shield requirements see Section 3-3.
- Once the proposed venting layout has been determined refer to graph to ensure the layout is acceptable.

Notes Wall Mounted Terminations: TOP VENT

- All measurements for vertical or horizontal runs are measured from center of the vent pipe.
- Venting runs must fall within the limits set by the venting graph.

Example A: (Acceptable Installation)

If the vertical dimension from the hearth is 114" and the horizontal run to the wall flange of the vent termination is 168", this would be an acceptable installation.

Example B: (Unacceptable Installation)

If the vertical dimension from the hearth is 36" and the horizontal run to the wall flange of the vent termination is 84", this would not be an acceptable installation.

Example C: (Unacceptable Installation)

If the vertical dimension from the floor of the fireplace is 60" and the horizontal run to the wall flange of the vent termination is 144", this would not be an acceptable installation.

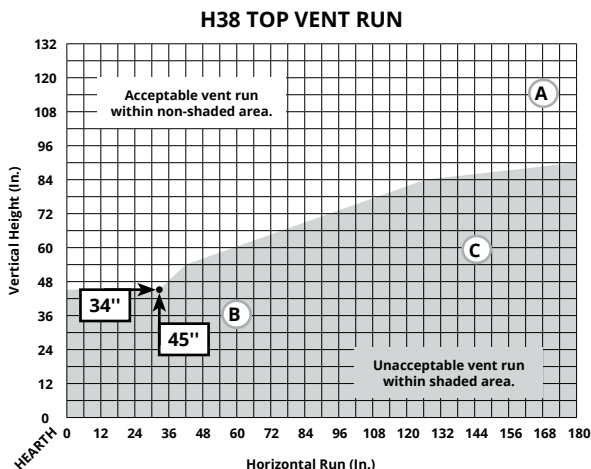


Figure 8. Top Vent Venting Graph for wall mounted terminations

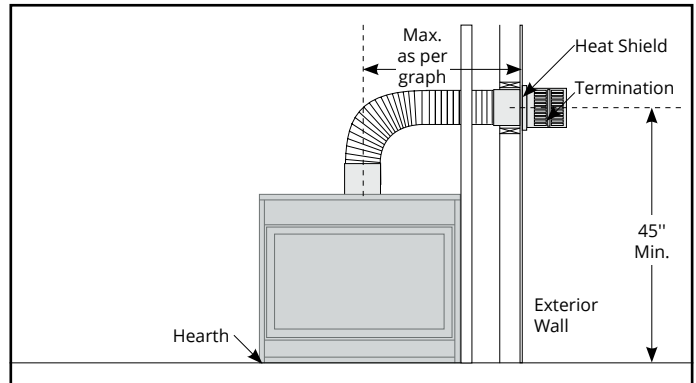


Figure 8.b Top Vented, wall mounted installation with 1 elbow (1 one 90° bend). The vent run must comply with Venting Graph for Top vent, wall mounted terminations

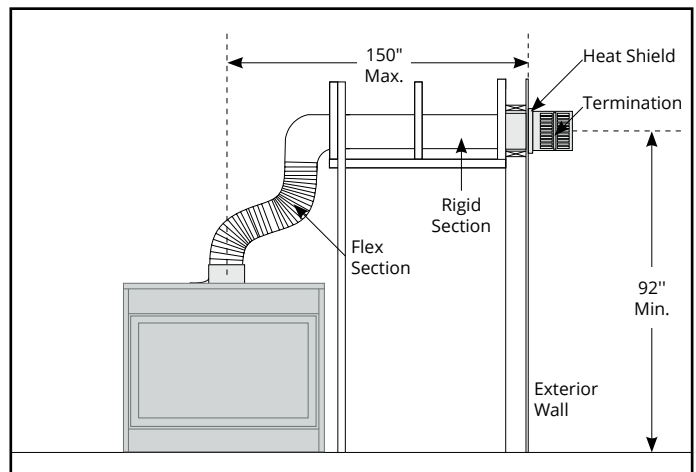


Figure 8.c Top Vented, wall mounted Multi-elbow installation. See Venting Graph for Top vent, wall mounted terminations

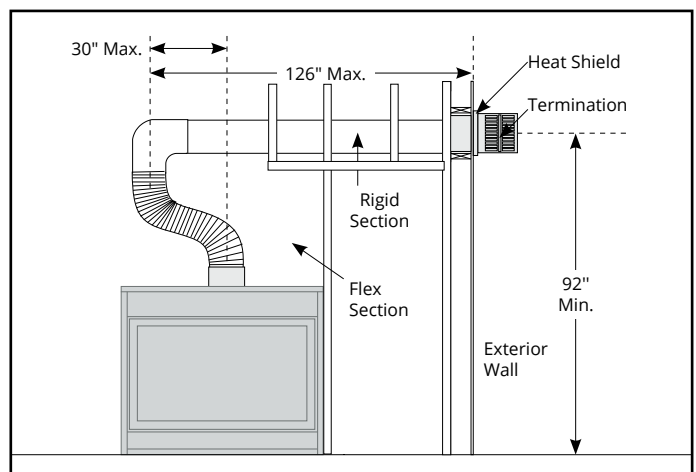


Figure 8.d Top Vented, wall mounted Retracted Multi-elbow installation

H42 Top Venting Graph

Measure the vertical height from the fireplace hearth to the centre of the termination and the horizontal run from the fireplace flue collar to the wall flange of the termination. Plot on the Venting Graph with an 'X'. If the 'X' falls on or above the top boundary of the shaded area, the installation is acceptable.

Selection of components and details of venting layout should adhere to the following guidelines:

- Vent terminations must not be recessed in walls or siding.
- For Heat Shield requirements see Section 3-3.
- Once the proposed venting layout has been determined refer to graph to ensure the layout is acceptable.

Notes Wall Mounted Terminations: TOP VENT

- All measurements for vertical or horizontal runs are measured from center of the vent pipe.
- Venting runs must fall within the limits set by the venting graph.

Example A: (Acceptable Installation)

If the vertical dimension from the hearth is 84" and the horizontal run to the wall flange of the vent termination is 36", this would be an acceptable installation.

Example B: (Unacceptable Installation)

If the vertical dimension from the hearth is 72" and the horizontal run to the wall flange of the vent termination is 66", this would be an acceptable installation.

Example C: (Unacceptable Installation)

If the vertical dimension from the floor of the fireplace is 72" and the horizontal run to the wall flange of the vent termination is 108", this would not be an acceptable installation.

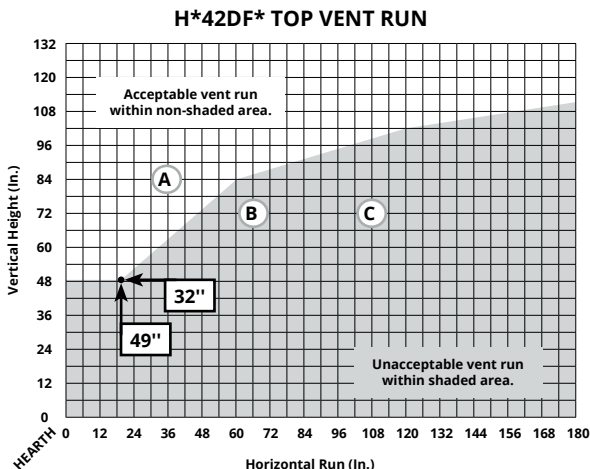


Figure 8.f Top Vent Venting Graph for wall mounted terminations

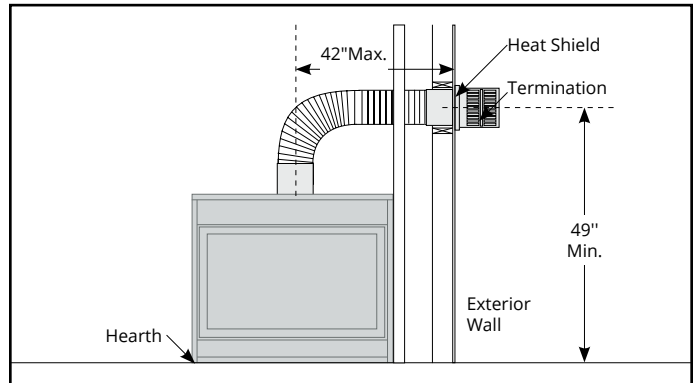


Figure 8.g Top Vented, wall mounted installation with 1 elbow (1 one 90° bend). The vent run must comply with Venting Graph for Top vent, wall mounted terminations

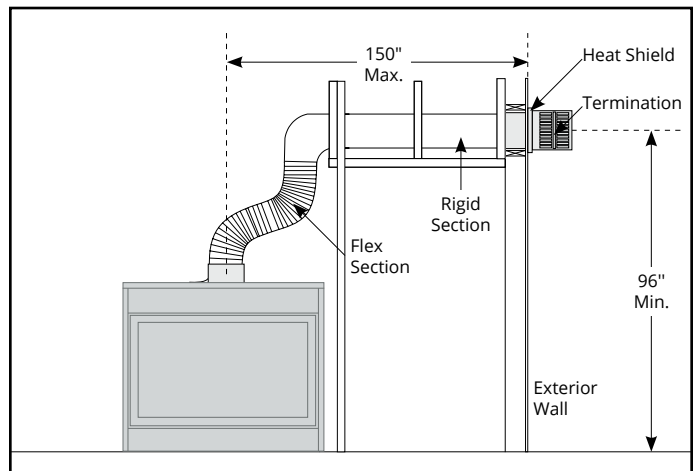


Figure 8.h Top Vented, wall mounted Multi-elbow installation. See Venting Graph for Top vent, wall mounted terminations

H38 Rear Venting Graph

Measure the vertical height from the fireplace hearth to the centre of the termination and the horizontal run from the fireplace flue collar to the wall flange of the termination. Plot on the Venting Graph with an 'X'. If the 'X' falls on or above the top boundary of the shaded area, the installation is acceptable.

Selection of components and details of venting layout should adhere to the following guidelines:

- Vent terminations must not be recessed in walls or siding.
- For Heat Shield requirements see Section 3-3.
- Once the proposed venting layout has been determined refer to graph to ensure the layout is acceptable.

Notes Wall Mounted Terminations: REAR VENT

- All measurements for vertical or horizontal runs are measured from center of the vent pipe.
- Venting runs must fall within the limits set by the venting graph.

Example A: (Acceptable Installation)

If the vertical dimension from the hearth is 120" and the horizontal run to the wall flange of the vent termination is 138", this would be an acceptable installation.

Example B: (Unacceptable Installation)

If the vertical dimension from the hearth is 48" and the horizontal run to the wall flange of the vent termination is 96", this would not be an acceptable installation.

Example C: (Unacceptable Installation)

If the vertical dimension from the floor of the fireplace is 72" and the horizontal run to the wall flange of the vent termination is 120", this would not be an acceptable installation.

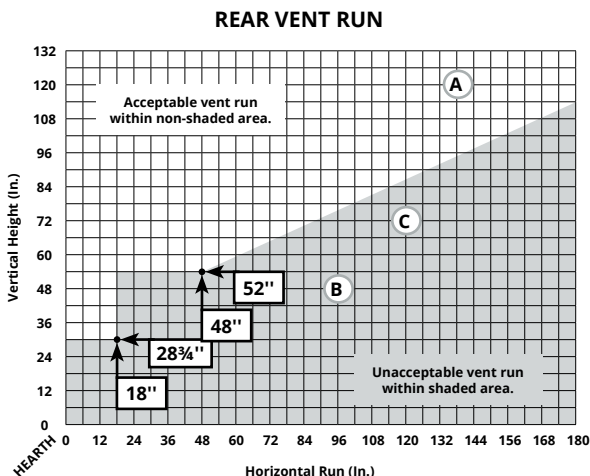


Figure 8.i Rear Venting Graph for wall mounted terminations

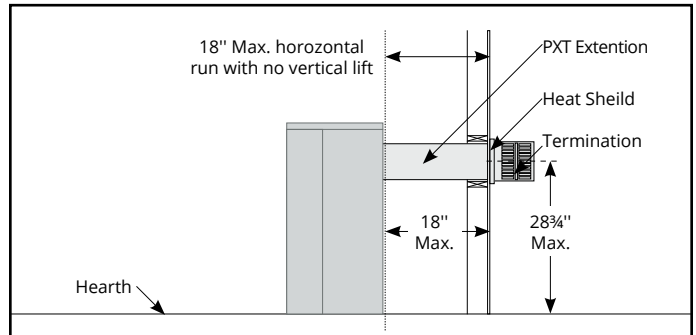


Figure 8.j Straight run, Rear Vented, wall mounted termination

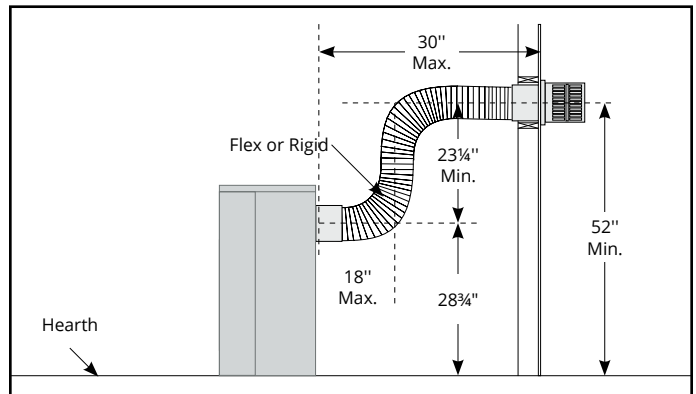


Figure 8.k Rear Vented, wall mounted Multi-elbow termination installation. must have a minimum vertical rise of 26"

H42 Rear Venting Graph

Measure the vertical height from the fireplace hearth to the centre of the termination and the horizontal run from the fireplace flue collar to the wall flange of the termination. Plot on the Venting Graph with an 'X'. If the 'X' falls on or above the top boundary of the shaded area, the installation is acceptable.

Selection of components and details of venting layout should adhere to the following guidelines:

- Vent terminations must not be recessed in walls or siding.
- For Heat Shield requirements see Section 3-3.
- Once the proposed venting layout has been determined refer to graph to ensure the layout is acceptable.

Notes Wall Mounted Terminations: REAR VENT

- All measurements for vertical or horizontal runs are measured from center of the vent pipe.
- Venting runs must fall within the limits set by the venting graph.

Example A: (Acceptable Installation)

If the vertical dimension from the hearth is 120" and the horizontal run to the wall flange of the vent termination is 138", this would be an acceptable installation.

Example B: (Unacceptable Installation)

If the vertical dimension from the hearth is 48" and the horizontal run to the wall flange of the vent termination is 96", this would not be an acceptable installation.

Example C: (Unacceptable Installation)

If the vertical dimension from the floor of the fireplace is 72" and the horizontal run to the wall flange of the vent termination is 120", this would not be an acceptable installation.

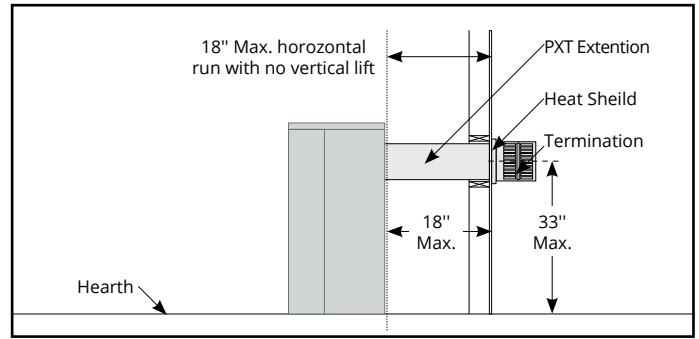


Figure 8.m Straight run, Rear Vented, wall mounted termination

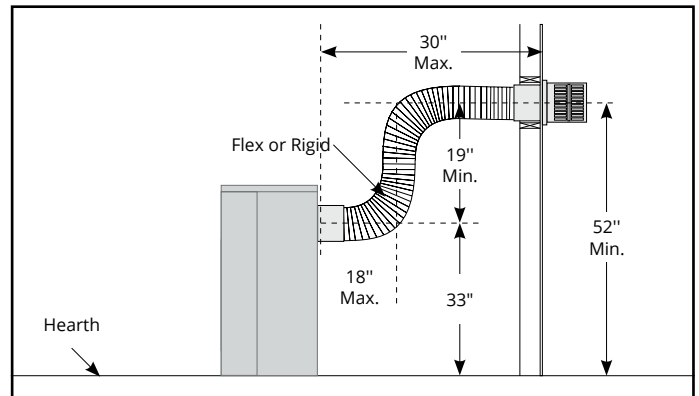


Figure 8.n Rear Vented, wall mounted Multi-elbow termination installation. must have a minimum vertical rise of 26"

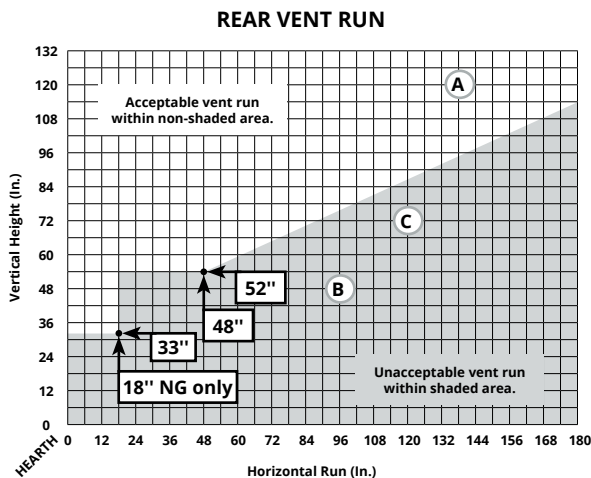
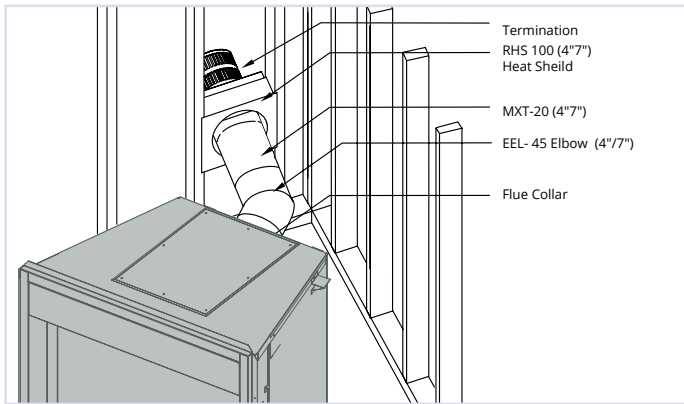


Figure 8.1 Rear Venting Graph for wall mounted terminations

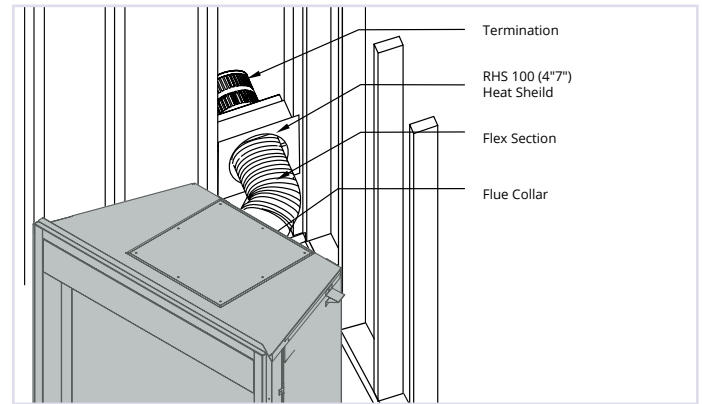
45° Corner Installation 4"/7"

Attach an EEL-45 (45° elbow) directly onto the flue collar and attach it to the MXT-20, cut the MXT-20 to suit. Slide the fireplace into position and attach to the termination.



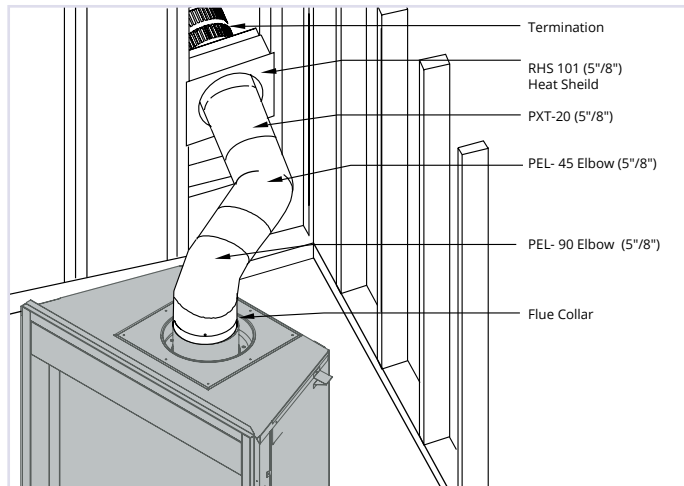
45° or less Corner Installation 4"/7"

Use an MTO-4 termination and an MFL-1 or MFL-2/MFL-2 (12" or 24" compressed length) and a frame, if appropriate. Flex may be turned to obtain desired degree of angle required but must not exceed 45°.



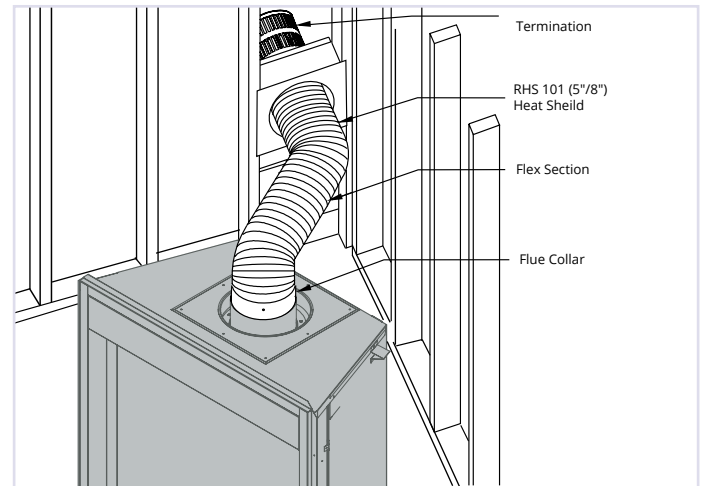
45° Corner Installation 5"/8"

Attach an PEL-90 (90° elbow) directly onto the flue collar and attach it to the PEL-45, cut the PXT-20 to suit. Slide the fireplace into position and attach to the termination.



45° or less Corner Installation 5"/8"

Use an PTO-4 termination and an PFL-1 or PFL-2/PFL-2 (12" or 24" compressed length) and a frame, if appropriate. Flex may be turned to obtain desired degree of angle required but must not exceed 45°.



NOTICE

Corner Installation is available for **NATURAL GAS UNITS ONLY**

NOTE: The PFVK01 / PFVK01F kit is available for top vent corner FLEX application (NG only). The Kit includes a heat shield, a PFL-18 (f/f) flexible pipe, and a termination with or without a mounting frame.

Section 3-3: Installing a Wall Mounted Termination

This section applies to installations where the direct vent termination will be wall mounted. **NOTE:** If subject to a highly corrosive environment i.e. Seaside, Montigo recommends using Stainless Steel Termination.

Installation of termination with built in frame

A termination with a built-in frame is installed during framing of a structure.

1. Frame the termination opening to 11" x 11".
2. Install exterior sheathing to the structure framing.
3. Fasten the termination to the sheathing using a minimum of 4 screws.

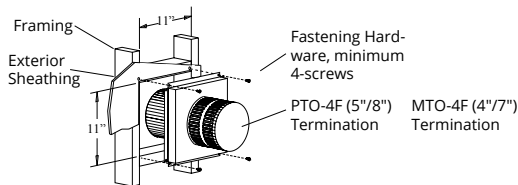


Figure 7. Installing a PTO4-F, MTO4-F termination.

Installation of termination frame at time of framing

Terminations with a MSR frame allow the installation of the frame prior to installation of the termination.

1. Frame the termination opening to 12" x 12".
2. Secure the MSR Frame to the exterior sheathing of the structure.
3. Fasten the termination to the MSR Frame using a minimum of 4 screws.

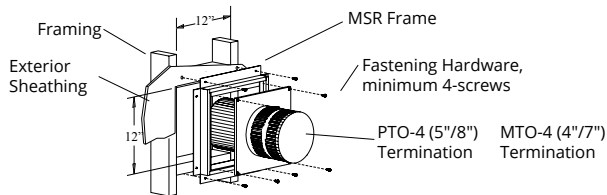


Figure 7.b Installing a MTO, PTO termination with the MSR frame.

Installation of termination frame at time of framing in masonry

Terminations with a BSR frame allow the installation of the frame in masonry prior to the installation of the termination

1. Frame the BSR opening to 12" x 12".
2. Secure the BSR Frame to the exterior sheathing of the structure.
3. Fasten the termination to the BSR Frame using a minimum of 4 screws.

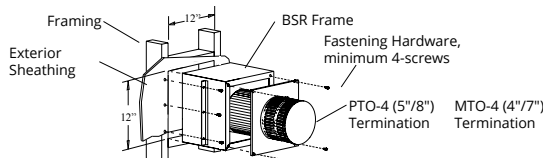


Figure 7.c Installing a MTO, PTO termination with the BSR frame.

Installation of termination from inside structure

A Termination with a MOSR Frame is installed from the inside of the structure. These are commonly used in high-rise construction.

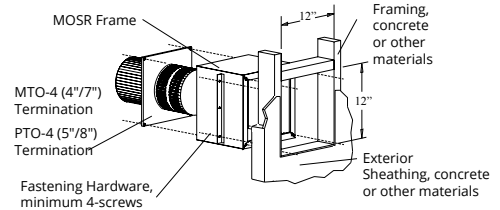


Figure 7.d Installing a PTO termination with MOSR frame.

1. Frame the MOSR opening to 12" x 12".
2. Fasten the MOSR frame to the interior side of the studs, concrete, or finished wall construction using a minimum of 4 screws.
3. Insert the termination into the MOSR frame as shown here, (from the inside) and attach to the MOSR by installing a min. quantity of 4 bolts into the threaded nuts on the MOSR Frame.

Installation of a termination shield for vinyl siding

The VSS Termination shield is installed when the exterior of a structure is clad with Vinyl siding. It is placed directly above, and on-center with the termination.

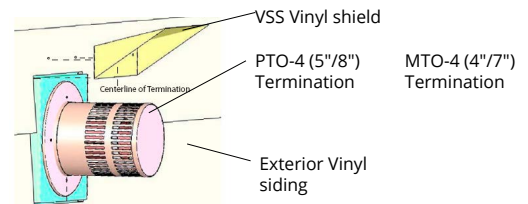


Figure 7.e Installing the VSS Vinyl Shield.

Installing heat guards

Installing heat guards over terminations is recommended in installations where the termination is located within 7' feet above grade, or above a pedestrian walkway, and may be required by code in public areas.

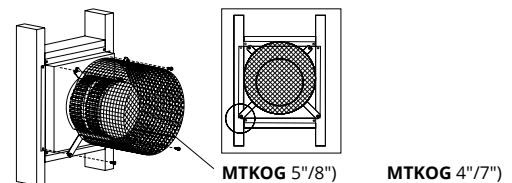


Figure 7.f Installing a MTO, PTO termination heat guard.

1. Ensure that the two long mounting brackets are facing the bottom of the termination (See inset). This will provide more heat protection at the top of the termination, where temperatures are highest.
2. Attach to the faceplate of the termination using four sheet metal screws.

Section 3-3-2.2: Duravent DirectVent Pro 4" x 6⁵/₈" Venting Components

The following Simpson Duravent venting components are approved for use with Montigo products. Please contact your local Montigo dealer for further information.

Component	Montigo Part Number	Simpson Duravent Part Number
A - Termination	MTO4 (3" Length) MTO4F (3" Length) MTO4FSS	Must use Montigo termination
B - Frame Kits	MSR (Stucco Frame) MOSR (Stucco Frame) BSR-4 (4" Brick Frame) BSR-6 (6" Brick Frame)	Must use Montigo termination
C - Flex Sections	MFL - 1 (12" f/f Connectors) MFL - 18 (18" f/f Section) MFL - 2 (24" f/f Section) MFL - 3 (36" f/f Section) MFL - 4 (48" f/f Section) MFL - 6 (72" f/f Section)	46DVA-48FF (48" F/F Section) 46DVA-120FF (120" f/f Section)
D - Rigid Pipe	MEXT - 1 (12" f/m Section) MEXT - 2 (24" f/m Section) MEXT - 3 (36" f/m Section) MEXT - 4 (48" f/m Section) MEXT - 6 (72" f/m Section)	46DVA-06 (6" Section) 46DVA-09 (9" Section) 46DVA-12 (12" Section) 46DVA-18 (18" Section) 46DVA-24 (24" Section) 46DVA-36 (36" Section) 46DVA-48 (48" Section) 46DVA-60 (60" Section)
E - Rigid Pipe Extension	EXT18 (18" f/f Section)	46DVA-08A (8 ¹ / ₂ " Length) 46DVA-16A (16" Length)
F - Elbows	MEL-90MM (m/m 90° Elbow) MEL-90FF (f/f 90° Elbow) MEL-90FM (f/m 90° Elbow) MEL-45FM (f/m 45° Elbow)	46DVA-E30 (30° Elbow) 46DVA-E45 (45° Elbow) 46DVA-E60 (60° Elbow) 46DVA-E90 (90° Elbow)
G - Wall Penetration Kit	MFVK01F	
H - Support Ring & Plate	MSPXT7	46DVA-ES (Elbow strap) 46DVA-RS (Roof support)
I - Firestop	FS7	46DVA-WFS 46DVA-WFS2
J - Roof Flashing	MRF7 (1/12 - 7/12 pt.) MRF12 (7/12 - 12/12 pt.)	46DVA-F6(DS) (0/12-6/12 pt.) 46DVA-F12(DS) (6/12-12/12 pt.) 46DVA-FF (Flat Roof Flashing)
K - Heat Shield	RHS100	46DVA-WT 46DVA-WTS
L - Heat Guard	MTKOG	

46DVA-AD-M2 Termination Adapter



46DVA-AD-M1 Mounting Adapter

NOTICE

DirectVent Pro 4" x 6⁵/₈" requires the 46DVA-AD-M1 Mounting Adapter to reduce from native 4¹/₇" size. A Montigo 4¹/₇" termination must be used by installing the 46DVA-AD-M2 Termination Adapter

Section 3-3-2: 5"/8" Venting Components

The following components and associated Montigo part numbers for installation of a roof or wall mounted termination. Use of non-Montigo approved parts will VOID the warranty and may impede operation of the fireplace.

Component	Montigo Part Number	Simpson Duravent Part Number	ICC Part Number	MetalFab Part Number
Termination	PTO4 (3" Length) PTO4F (3" Length) PVTK1SS (5/8 Vent)	58DVA-HC (Horizontal 5/8 vent) 58DVA-VCH (Vertical 5/8 Vent)		
Rigid Sections (5/8 Vent)	PEXT - 1 (12" f/m) PEXT - 2 (24" f/m) PEXT - 3 (36" f/m) PEXT - 4 (48" f/m) PEXT - 6 (72" f/m)	58DVA-06 (6") 58DVA-09 (9") 58DVA-12 (12") 58DVA-18 (18") 58DVA-24 (24") 58DVA-36 (36") 58DVA-48 (48") 58DVA-60 (60")	5DL6 (6") 5DL9 (9") 5DL1 (12") 5DL2 (24") 5DL3 (36") 5DL4 (48")	5D6 (6") 5D12 (12") 5D18 (18") 5D24 (24") 5D36 (36") 5D48 (48")
Rigid Pipe Extension	PXT12 (12" f/f) PXT20 (20" f/f)	58DVA-08A (12") 58DVA-16A (20")	5DLT (12") 5DLS1 (12") 5DLT2 (20") 5DSL2 (20")	5DAL (3" to 10")
Rigid Telescopic Pipe		58DVA-17TA 58DVA-24TA	5DLA30	
Elbows (5/8 Vent)	PEL-90MM (m/m 90°) PEL-90FF (f/f 90°) PEL-90FM (f/m 90°) PEL-45FM (f/m 45°)	58DVA-E30 (30°) 58DVA-E45 (45°) 58DVA-E60 (60°) 58DVA-E90 (90°)	5DE45 (45°) 5DE90 (90°)	5D45L (45°) 5D90L (90°)
Support Ring & Plate	PSPXT-8	58DVA-DC	5CS	
Firestop	FS-8	58DVA-WFS 58DVA-FS	5CS	5DFS
Roof Flashing	PRF-7 (1/12 - 7/12 pt.) PRF-12 (7/12 - 12/12 pt.)	58DVA-FF (flat roof) 58DVA-F6 (0/12 - 6/12 pt.) 58DVA-F12 (7/12 - 12/12 pt.)		5DF (0/12 - 6/12 pt.) 5DF-12 (7/12 - 12/12 pt.)
Metal/Tile Roof Flashing		58DVA-F6DS (0/12-6/12 pt.) 58DVA-F12DS (7/12-12/12 pt.)		
Heat Shield	RHS101	58DVA-WTU 58DVA-WT	5WT 5WTE	
Attic Radiation Shield		58DVA-IS		
Vinyl Siding Heat Shield	VSS VSSSS	58DVA-VSK (Vinyl Siding Stand-off Kit)		
Wall Support		58DVA-WS	5WS	5DWS
Offset Support		58DVA-ES	5OS	
Vaulted Ceiling Support		58DVA-CS	5SS	DRS
Storm Collar	SC8	58DVA-SC	5SC 5SQSC	5DSC
Montigo Fireplace Adapter		58DVA-AD-M1	TM-5AA6	5DNA
Montigo Termination Adapter		58DVA-AD-M2	TM-5TA1	5DMTA

Section 3-3-3: Heat Shields

Installing the included heat shield

The included Heat shield CANNOT be used WITHIN 36" horizontal or 60" vertically of the fireplace. For applications within these dimensions the RHS10* Heat Shield MUST be used.

To install the heat shield frame an opening in combustible construction. Slide the Heat shield in place over the vent pipe which attaches to the fireplace. After the fireplace and vent pipe has been installed, clearances should match the dimensions shown.

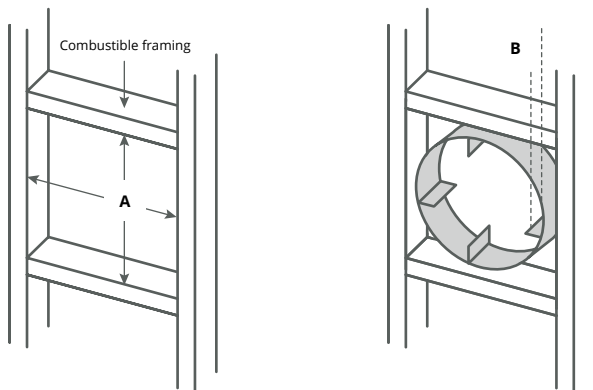


Figure 15.a Heat Shield Installation. (Install by sliding over vent pipe where it passes through the combustible construction).

Wall Mounted RHS* heat shield			
	Vent Size	A	B
Included 4/7 Shield	4/7	11"	1"min.
Included 5/8 Shield	5/8	12"	1"min.
RHS100	5/8	11"	3/8" min.
RHS101	5/8	11"	3/8" min.
RHS102	5/8	12"	3/8" min.
RHS104	5/10	14"	3/8" min.

Installing a Wall Mounted Heat shield

The RHS10* Heat shield must be used if vent pipe passes through a wall or ceiling within 6' of the unit.

To install the Heat shield, Slide the Inner Section over the vent pipe that will connect to the fireplace. Then fasten the vent pipe to the back of the fireplace with a minimum of three sheet metal screws. From the outside slide the outer section on. To complete the installation fasten the Heat Shield Outer Section & inner section to the structure.

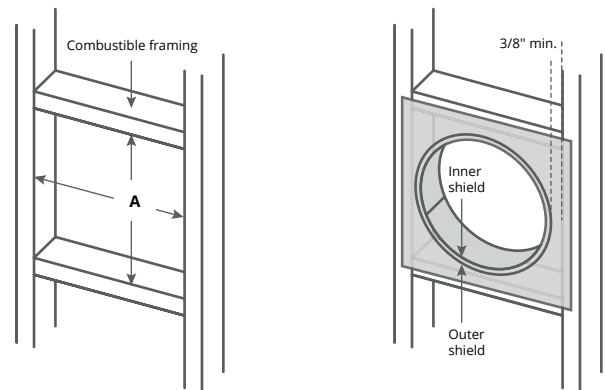


Figure 11. RHS10* Installation. (Install by sliding over vent pipe where it passes through the combustible construction).

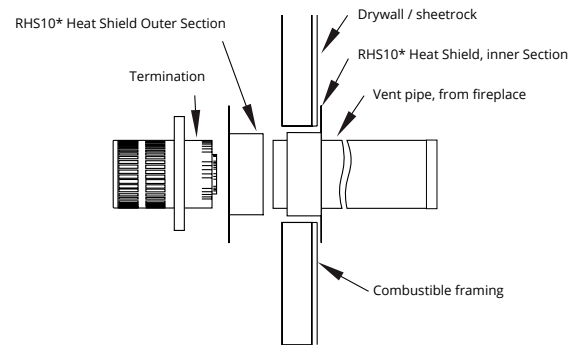


Figure 11.b RHS10* Installation. (Install by sliding Outer Section over vent pipe where it passes through the combustible construction).

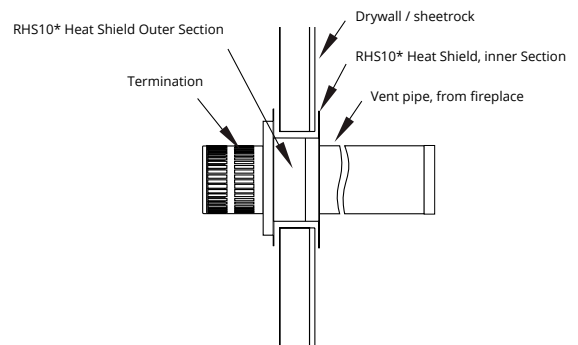


Figure 11.c Heat Shield. After sliding the outer section in place.

Section 4: Wiring

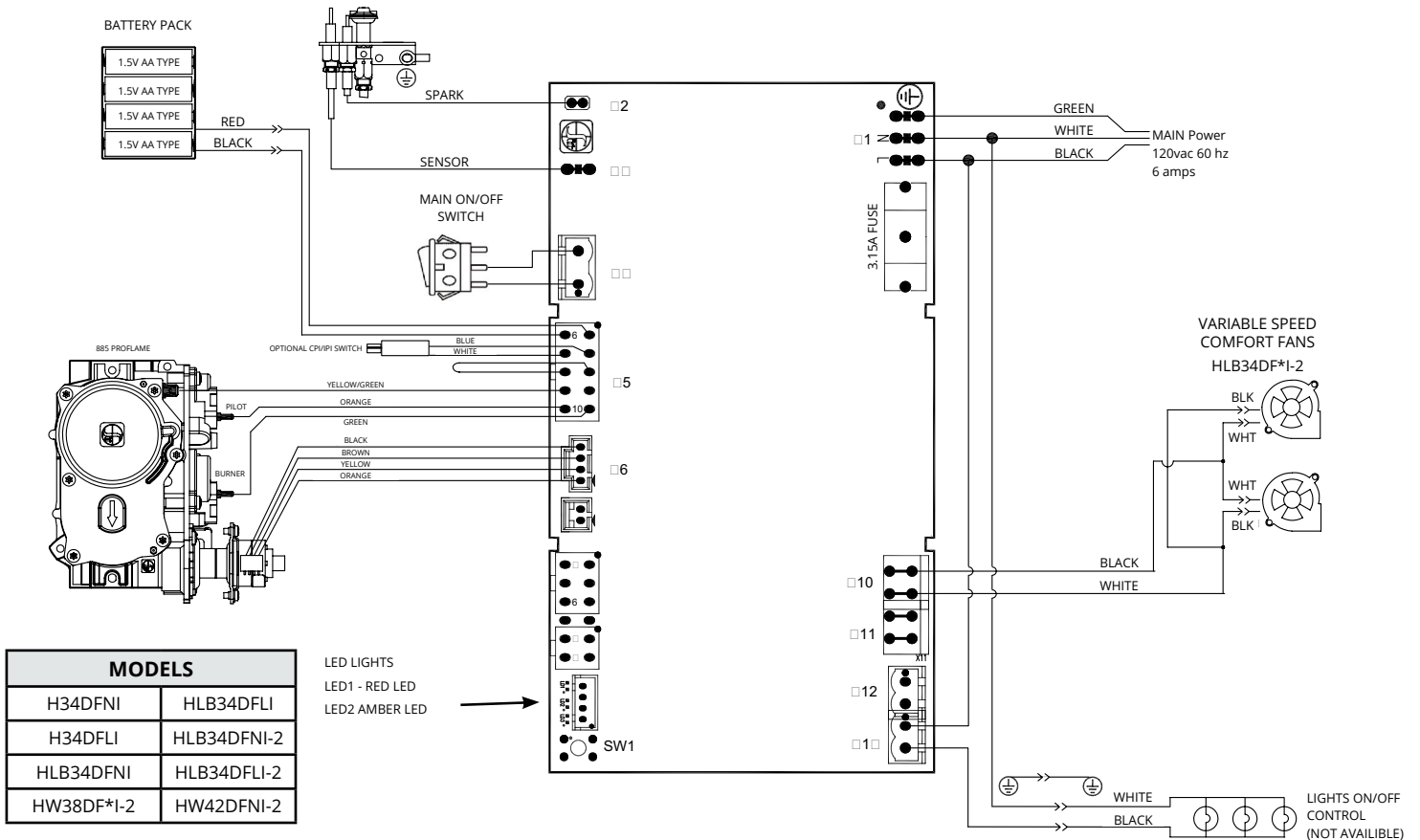


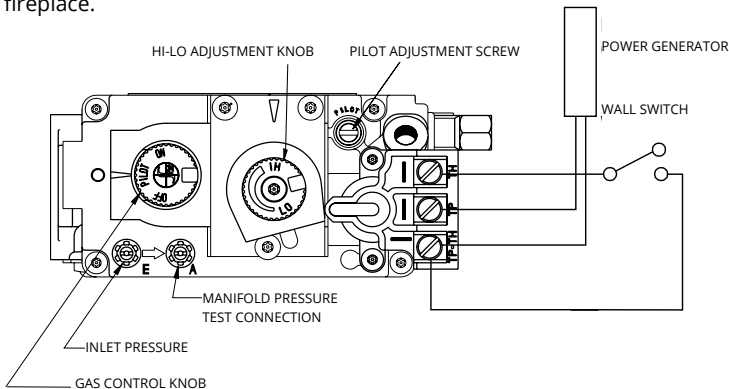
Figure 16. Wiring diagram for SIT Proflame 2 Electronic Ignition with remote control

SIT Nova 820 wiring

The SIT Nova 820 gas valve may be connected to a wall switch. Do NOT connect any external power to the remote switch.

NOTE: The switch location must not exceed 30' from the fireplace.

MODELS	
H38DF*	H42DF*
HL38DF*	HL42DF*



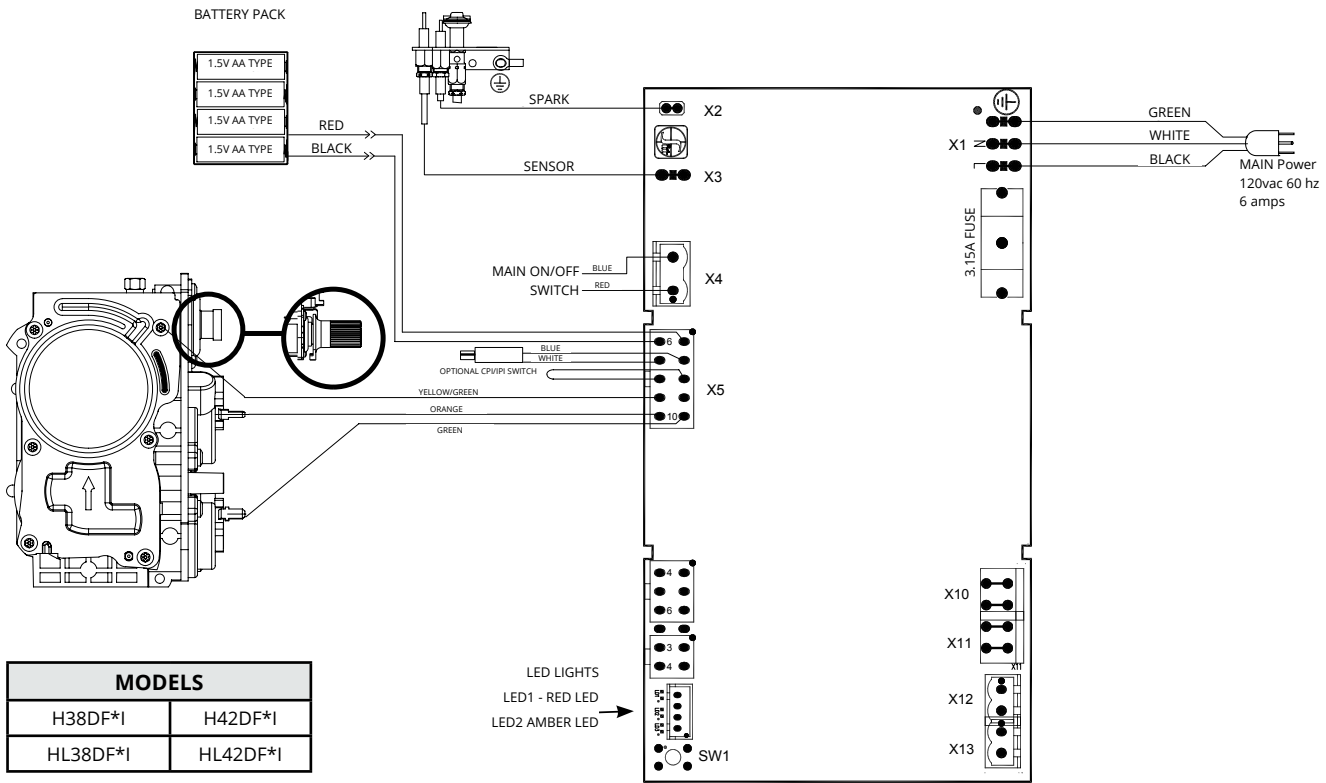


Figure 16.b Wiring diagram for SIT Proflame 2 Electronic Ignition

CPI [Continuous Pilot Ignition] / IPI [Intermittent Pilot Ignition] Jumper Cable Installation

“Why use CPI mode”?

There are several reasons why you may choose to use CPI mode. When a flue is cold it can be difficult to light the appliance. It can take a bit of time (particularly on tall vents) to initialize vent action. This can result in “lifting” or “ghosting” of the flames during the first two to three minutes of operation. It is also possible to encounter times when the fireplace fails to light successfully. The fireplace will then attempt to re-light a second or third time depending on prevailing temperatures or altitude. When in CPI mode, the pilot also keeps the system warm. During a “cold” start, condensation will normally form on the inner glass surface of the door. This condensation will quickly dry, however, the condensation tends to run down the glass and cause some streaking. CPI mode helps to resolve this issue. If CPI mode is used during the winter months, the energy it takes to run the pilot is partially recovered as heat into the building, so it does not use as much energy as running a pilot in the off season.

A connector is supplied with this unit that can be plugged into the wire harness connected to the controller. This jumper cable gives the Remote Control the ability to operate the CPI / IPI switch and set the unit to operate in either condition. CPI means “Continuous Pilot Ignition” or “Standing Pilot” as it is commonly known. IPI means “Intermittent Pilot Ignition”, which only initializes the pilot when you are going to be using the appliance.

The difference between IPI and CPI:

IPI (Intermittent Pilot Ignition) Mode: is a fuel saving mode in which the pilot is only used when the main burner is on.

CPI (Continuous Pilot Ignition) Mode: The pilot runs continuously even when the main burner is off. (Typically only used for winter months)

Installing the CPI Jumper Cable

- 1). Access the control box.



Figure 17.a Open the control box drawer

- 2). Remove the bag containing the Jumper Cable from the wire harness connected to the controller.

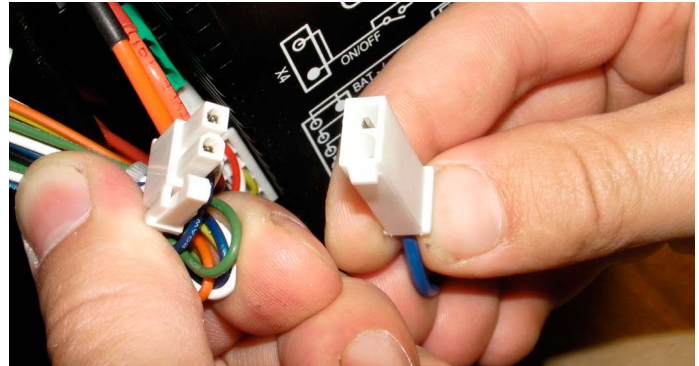


Figure 17.b Locate Jumper cable

- 3). Find the corresponding plug attached to the control wire harness and connect the CPI jumper.

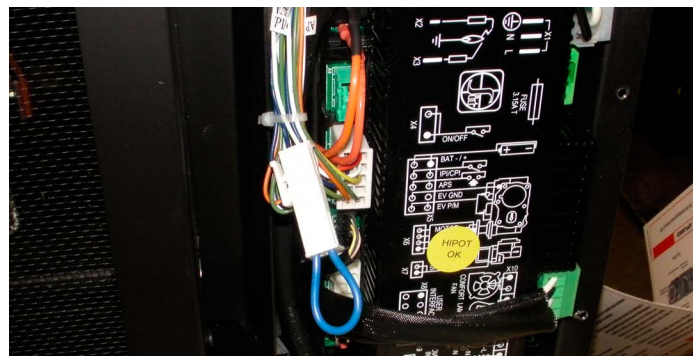


Figure 17.c Connect CPI

- 4). See operation section to turn remote into CPI mode.

Section 5: Installing the gas line

Section 5-1: Fuel Conversion

- Verify that your fireplace is compatible with your available gas type. (Natural Gas or Propane shown by "N" or "L" in your model number)
- If gas type is not compatible, contact your local Montigo representative.
- Conversion kits must be installed by a qualified service technician.

Section 5-2: Gas Pressure

- Optimum appliance performance requires proper input pressures.
- Gas line sizing requirements will be determined in ANSI Z223.1/NFPA 54 National Fuel Gas Code in the USA and CAN/CGA B149.1 in Canada.

Pressure requirements (during operation):

PRESSURE REQUIREMENTS		
Gas Pressure	Natural Gas	Propane
Minimum inlet pressure	5.5in. w.c.	11in. w.c.
Manifold pressure	3.5in. w.c.	10in. w.c.

Figure 18. Pressure Requirements

- The manifold outlet pressure is set from the factory to the appropriate pressure but should be verified.
- To check pressures, control valves have a provision to remove a 1/8" N.P.T. plug to be fitted with a hose barb (HSI only).
- Montigo requires a service shut off valve be located in an accessible location to isolate the gas supply.
- Only install gas shut-off valves approved for use by the state, province, or other governing body in which the fireplace is being installed.

Section 5-3: GAS CONNECTION

- Flexible gas connectors must not exceed 3 feet in length, unless allowable within local regulations.
- Connect incoming gas line to the 1/2" or 3/8" gas inlet port.
- Purge all air out of gas line.
- Check appliance connection, valve and valve train under normal operating pressure with a commercially available leak check solution.

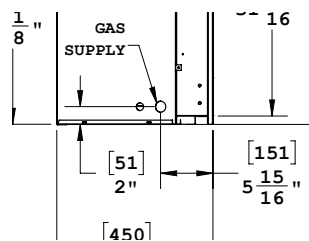
DO NOT USE A FLAME OF ANY KIND TO TEST FOR LEAKS.

NOTICE

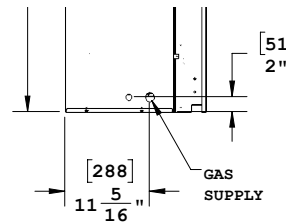
When pressure testing the fireplace, gas line, and input system follow the appropriate local codes for your area. DO NOT connect the fireplace to pressures in excess of **1/2lb**. This will damage the gas control valve.

⚠ DANGER

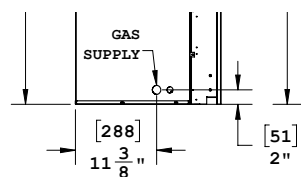
After gas line is connected, each appliance connection, valve and valve train **MUST** be checked while under normal operating pressure with either a Liquid Solution, or Leak Detection Device, to locate any source of leak. Tighten any areas where bubbling appears or a leak is detected until bubbling stops completely or leak is no longer detected. **DO NOT** use a flame of any kind to test for leaks. A fire or explosion will occur, causing serious injury, property damage or death.



H34 Gas line access



H38 Gas line access



H42 Gas line access

Figure 18.b Gas Inlet Supply location

CAUTION

We recommend careful consideration be given to the effects of elevated mantel temperatures which may be in excess of product design, for example: candles, plastic or pictures. This can cause melting, deformation, discoloration or premature failure of T.V. radio, and other electronic components.

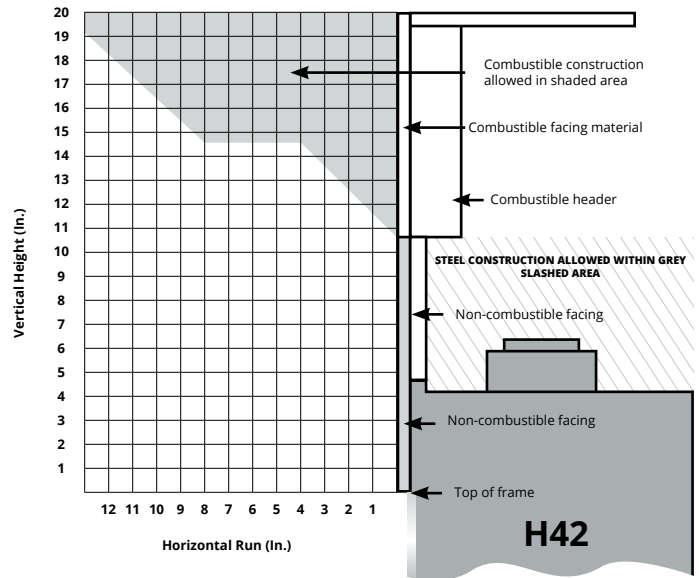
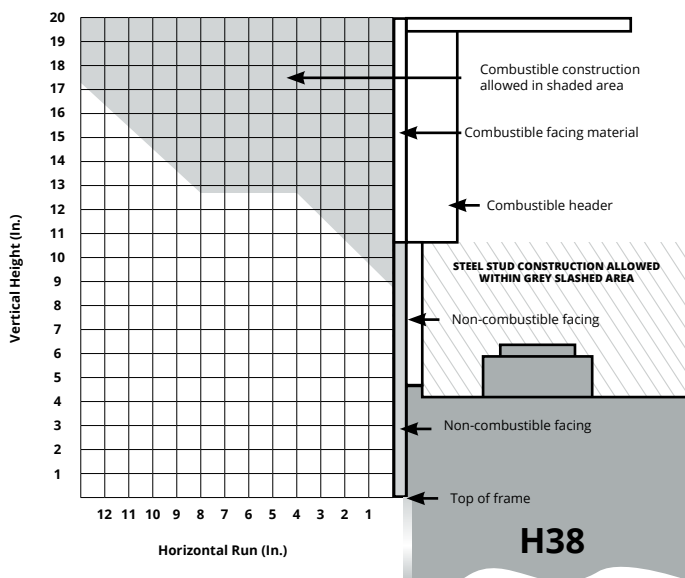
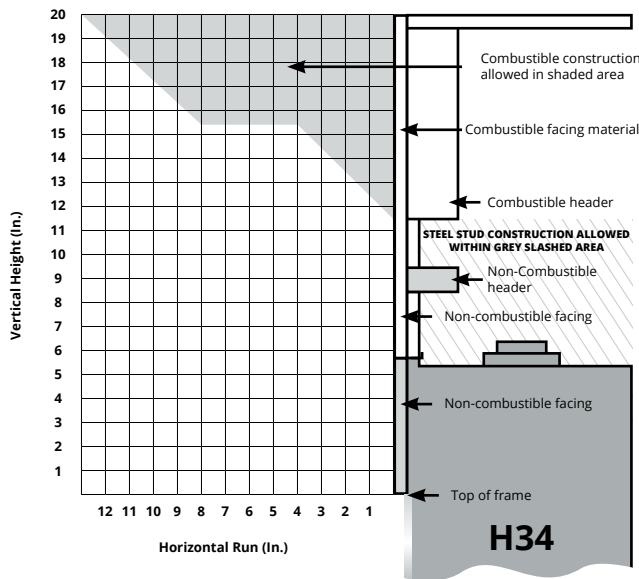
Section 6: Finishing

Mantels & Surrounds

Non-combustible mantels and mouldings may be safely installed over the top and on the front of the fireplace provided that they do not project beyond shaded area shown

Fireplace Facing

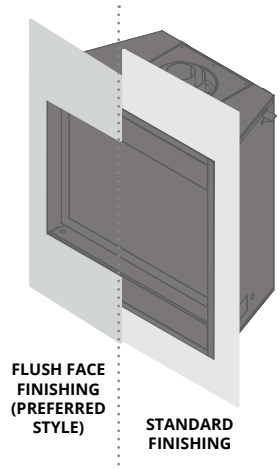
When sizing the finish material for your fireplace, it is important to remember the following: THE OPENING MUST NOT BE OBSTRUCTED IN ANY WAY - to do so restricts the air supply for the control compartments and heat exchanger it also prevents access for servicing controls.



Flush Finishing the Fireplace

A noncombustible finishing material may be installed over the face of the unit as shown. Please be aware that the temperature of the fireplace face will be extremely hot and could be subject to cracking in seams of concrete board or tile installed directly on the face.

Please refer to the flush face finishing guide for more detailed instructions.



⚠ IMPORTANT

When covering the upper metal portion of the fireplace with a non-combustible material. Please note the decorative facing materials may be subject to temperatures in excess of 250°F. This should be considered when selecting facing materials.

Finishing around the fireplace

NOTE: National Canadian Gas Association mantel test requirements are for fire hazard prevention to combustible materials.

Please be aware, temperatures over the mantel will rise above normal room temperature and walls above fireplace may be hot to touch.

Side wall clearances are 3". Combustible surrounds may be installed with 3" clearance to the side of the fireplace as shown.

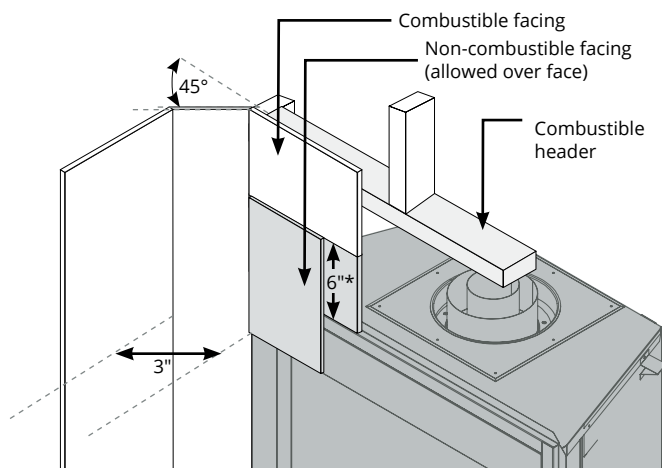


Figure 21.d Combustible facing materials.

*6" Non-combustible facing not required for H34 units, can be substituted for drywall

Section 7: Screen Installation and Removal

Removing the Screen

Grasp each top outer corner of the screen with your thumb and finger and pull towards yourself. When the upper Screen Studs are free, lift the screen at an angle from the lower slots from which the Screen Bottom Tabs are held. Place the screen in a safe place.

To Install Screens

Hold the screens at an angle away from the fireplace, and locate the Screen Bottom Tabs at the lower corners of the screen. Place the screen into the Screen Tab Receptacles in the lower section of the fireplace.

Make sure the tabs and screens are lowered all the way down into the Screen Tab Receptacles on the fireplace. Then, push each Upper Screen Stud on the top corners of the screen into the Upper Screen Stud Receptacles in the fireplace.

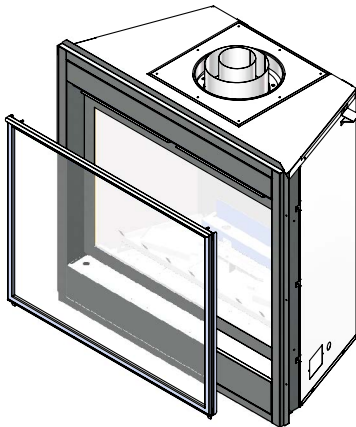


Figure 19. Lift out the Retaining Tabs and screen

CAUTION

Glass doors on gas fireplaces are extremely hot while the fireplace is on and remain hot even after the fireplace has been turned off. Safety screens are mandatory and can reduce the risks of severe burns. Please keep children away from the fireplace at all times.

Replacement Screens

For replacement part order numbers, please refer to section "Replacement Parts"

NOTICE

Any safety screen, guard, or barrier removed for servicing an appliance, must be replaced prior to operating the appliance

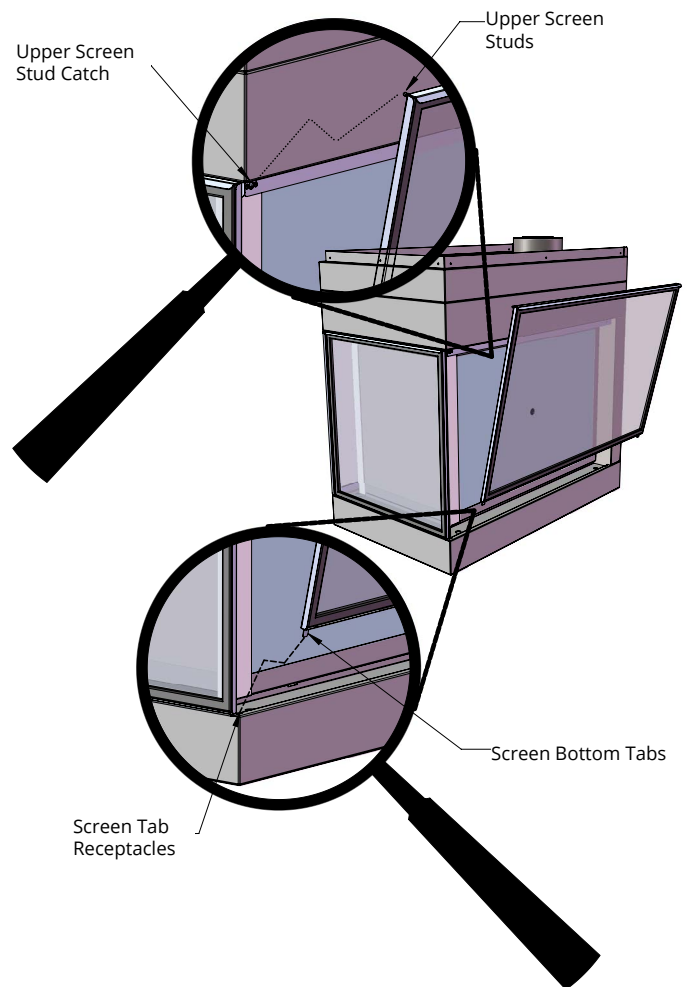


Figure 19.b Screen Installation and Removal

Section 8: Installing & Removing the Door

Removing the door

The doors are removed in a few simple steps. Follow these below to remove the horizontal access panel, unlatch the door buckles and, remove the door. Replace in reverse order.

⚠ WARNING

When reinstalling the door(s), always make sure all door buckles are properly hooked and fully engaged.

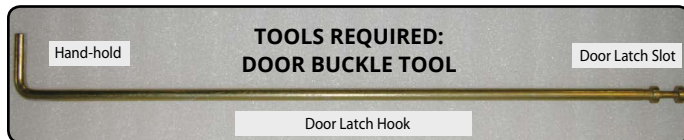


Figure 20.a Door buckle Tool

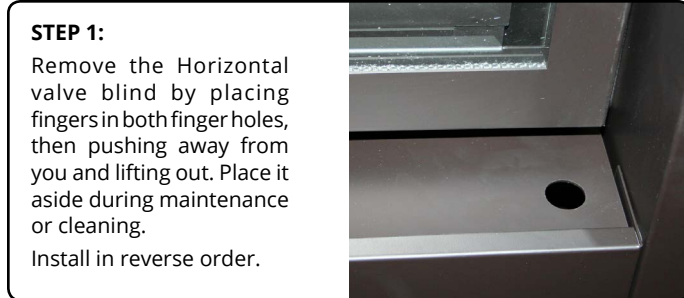


Figure 20.b Removing and installing the Horizontal Access Panel

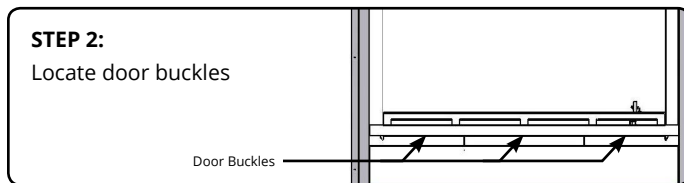


Figure 20.c Locate door buckles

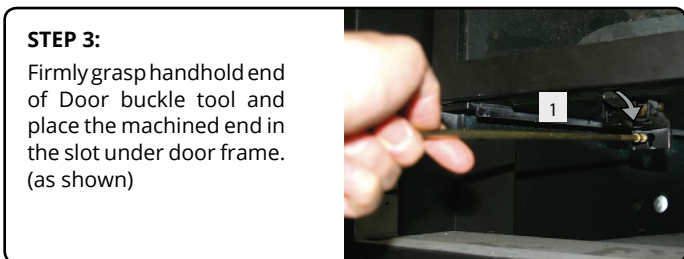


Figure 20.d Locate door latches

STEP 4:

Ensure the tool is firmly in the lower end of the slot, (as shown), Then pull toward you.

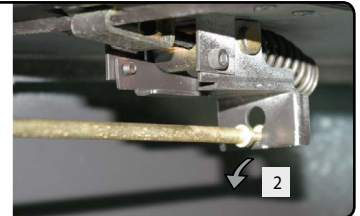


Figure 20.e Pull door latches

STEP 5:

Pull hard if necessary to release the spring tension. (Caution: The latch springs back with force, hold the tool securely).

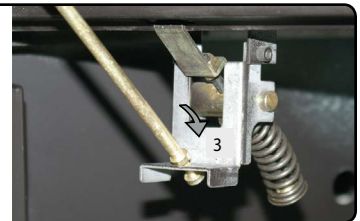


Figure 20.f Lift the latch upward

STEP 6:

Remove the tool from the latch slot. Ensure the latches are hanging freely, the hook end is released from the bottom of the door. (Repeat all 4-steps for the remaining latches).

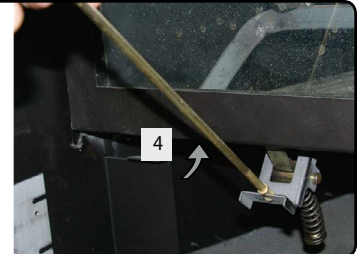


Figure 20.g Lift the door up and out of the fireplace frame

STEP 7:

Grasp the door on either side, usually midway and lift upward, lift the door carefully up and away from the front of the fireplace. Place the door aside in a safe place while maintenance and / or cleaning is being performed.

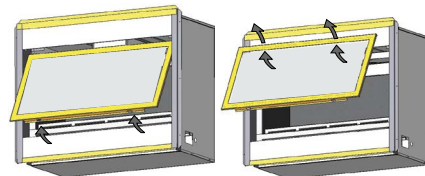


Figure 20.h Removing and installing the glass doors.

Reinstalling the door

To install the door, hook the top edge of the door frame into place. Lower the door into position and follow the previous steps shown in reverse order.

Section 9: Installing the Accessories

HLB34, HL38, HL42 Installing the Firestones or optional Fireglass

The unit is supplied with firestones. Optional fireglass may be purchased from the dealer. Remove the Door as shown in the previous Instruction. Once the glass door is removed place the firestones randomly across the pan and the burners as described in Figure 21 to 21.b

Note: Only cover the burner with one layer of firestones or fireglass.



Figure 21. spreading out firestones



Figure 21.b Completed firestone installation

HLB34-2 Installing Speckled Stones

[RR***SS]

Once the glass door has been removed as shown in the previous section, place the speckled stones evenly across the pan and burner. Ensure stones do not overlap too much as this will effect the flame pattern, see figure 21.c DO NOT cover the pilot with stones.



Figure 21.c Completed Speckled Stone installation

WARNING: This appliance is intended for use only with the included Montigo burners and accessories. Never install or add any additional or alternative media, rock wool or other material in this appliance. The use of additional or alternative materials may pose potential safety hazards, damage to the appliance, and void manufacturer's warranty.

HLB34-2 Installing Driftwood

[LGS59]

Once the glass door has been removed as shown in the previous section, place the driftwood logset as shown across the pan. Ensure logs do not overlap too much as this will effect the flame pattern, see figure 21.d DO NOT cover the pilot with logs.



Figure 21.d Completed Speckled Stone installation

Traditional Logset Installation H34DF

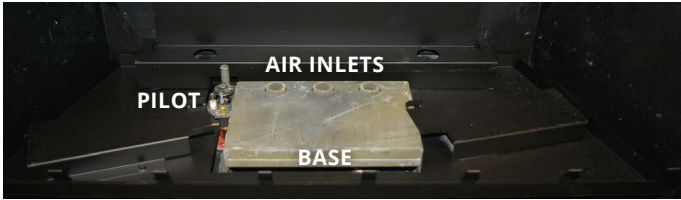


Figure 22. H34DF's Fireplace Base.

STEP 1: Remove the glass door as described in the previous instruction.

STEP 2: Install Bottom Rear log

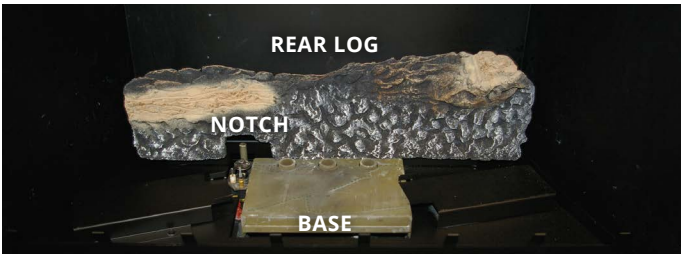


Figure 22.b

STEP 3: Install Both front base logs, (Figure 28c) on the log stands provided.



Figure 22.c

STEP 4: Place the top left log. A flat area is provided on the front left log, and a notch in the Rear bottom log. Install the glass door. If the flame does not appear satisfactory, double-check the air inlet and exhaust outlet pipe to ensure that they are unobstructed.



Figure 22.d

STEP 5: Place the top right log as shown. A notch is provided on the front right log, and a impression in the Rear bottom log.



Figure 22.e

STEP 6: Start the fireplace. If the flame appears satisfactory, replace the glass door. If the flame does not appear satisfactory, double-check the air inlet and exhaust outlet pipe to ensure that they are unobstructed.

STEP 7: Place the Embers as shown. Arrange the ember chips on top of the burner tray. Care should be taken when placing the embers, as blocked burner ports may cause an incorrect flame pattern, carbon deposits and delayed ignition. Also, the embers must NEVER be placed in a way that obstructs any of the air inlet ports, located at the rear of the burner.

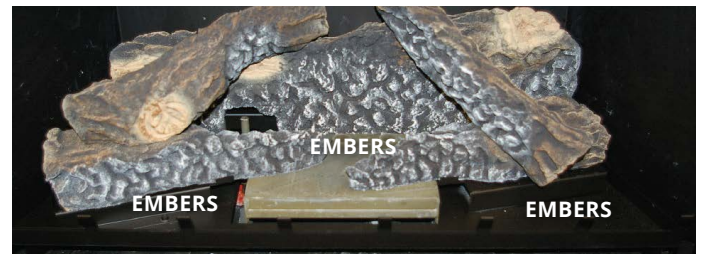


Figure 22.f

River Rock Kit H34DF

STEP 1: Remove existing media and burner tray.



Figure 23. H34DF*'s Fireplace Base.

STEP 2: Install the new Rock Tray and front cover. Make sure the tray is not sitting on top of the pilot.



Figure 23.b Burner Tray Front Cover

STEP 3: Slide the rock guard locator tabs behind the Burner. The rocks on the Rock Guard should line up between the air inlets of the burner



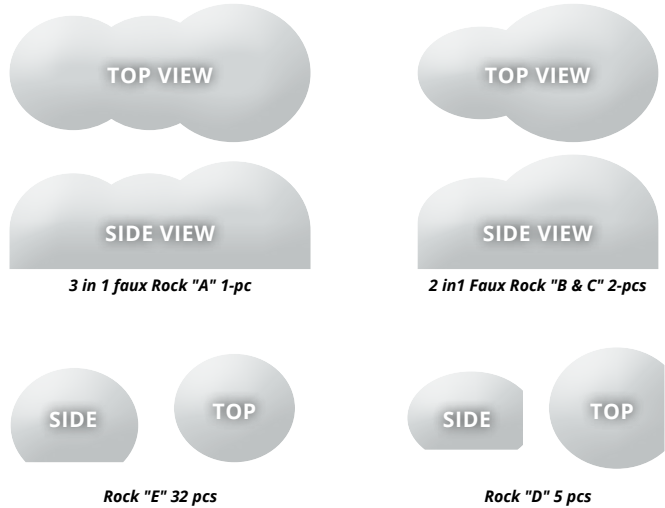
Figure 23.c Pushing the Rock Guard down into place.

STEP 4: Slide the rock guard locator tabs behind the Burner. The rocks on the Rock Guard should line up between the air inlets of the burner



Figure 23.d Pushing the Rock Guard down into place.

STEP 5: Remove the glass door as described in the previous instruction.



STEP 6: Install Rear faux "A" ceramic 3 in 1 Rock as shown



Figure 23.e H34DF*'s Fireplace Base.

STEP 7: Install Centre (2) Two faux "B" and "C" ceramic 2 in 1 Rock as shown. Note: Ensure the rocks do not cover the Burner holes, (reference lines of burner holes (straight lines) and outline or rocks (ovals))



Figure 23.f Placement of faux ceramic rock "B" & "C". Note decreasing size of rock diameters toward centre of burner.

STEP 8: Install Front (3) three of the supplied (5) five faux ceramic "D" Rocks as shown. Note cut surfaces of Rocks.



Figure 23.g Place (3) three faux "D" ceramic Rocks between burner and front of firebox frame. (flat surfaces of rock against the front of door opening and bottom pan of the fireplace). Note similar size of rock diameters.

STEP 9: Install the last (2) two faux ceramic "D" Rocks as shown in Figure 32c. Note cut surfaces of Rock toward back of firebox.



Figure 23.h Place the remaining (2) two faux "D" ceramic Rocks on top of faux the "A" (3 in 1 ceramic rock.) (flat surfaces of rock against back of firebox).

STEP 10: Begin placement of the faux "E" ceramic rocks in the Left side of the firebox. Note approximate placement.



Figure 23.i Left side of firebox.



Figure 23.j Continue placing.

STEP 11: Continue placing the faux "E" ceramic rocks to the Right side of the firebox. Note approximate random locations.



Figure 23.k Right side of firebox.



Figure 23.l Continue placing.



Figure 23.m Completed lower layer of ceramic Rock.

STEP 12: Install the first faux ceramic "E" Rocks on top of the lower level of rocks. Continue placement of ceramic "E" Rocks as shown.



Figure 23.n Place the first Top faux Rock.



Figure 23.o Place the second Top faux Rock between the far left and centre inlet Ports.



Figure 23.p Place the third Top faux Rock between the far right and centre inlet Ports.



Figure 23.q Place the fourth Top faux Rock on top of the previous (2) two Rocks.



Figure 23.r Place the fifth Top faux Rock on top, behind the pilot assembly cover.



Figure 23.s Place the sixth Top faux Rock on top, behind the pilot burner faux Rocks.



Figure 23.t Place the seventh Top faux Rock in the front.



Figure 23.u Place the eighth Top faux Rock in the front to the Right of the last Rock.



Figure 23.v Completed faux Rock installation.

Note: You may have to move or rotate the Top faux rocks to assure the best possible flame pattern and effect.

Traditional Logset Installation H38DF

STEP 1: Remove the glass door as described in the previous instruction. Place the bottom Rear log (Log A)



Figure 22. H38DF's Fireplace Base.

STEP 2: Place the bottom Right log (Log B) and bottom Left Log (Log C)



Figure 22.b

STEP 3: Install Both front base logs, (Figure 28c) on the log stands provided.



Figure 22.c

STEP 4: Place Front Left log (Log D)



Figure 22.d

STEP 5: Place Front Left log (Log F) as shown. Set notch in lower end of Log F against stile on Log Grate



Traditional Logset Installation H42DF

STEP 1: Remove the glass door as described in the previous instruction. Place the bottom Rear log



Figure 23. H42DF's Fireplace Base.

STEP 2: Place the bottom Right and Left logs as shown. Never block Air Inlets or Pilot when placing logs or embers.



Figure 23.b

STEP 3: Carefully place the Top Right log using the four alignment pins protruding from the top of the Right and Left Bottom Logs.



Figure 23.c



Figure 23.d

STEP 4: Place the Centre Front log using the notch cast in the Bottom Rear log. Place the Right Centre log as shown



Wildfire Logset Installation HW38DF

STEP 1: Remove the glass door as described in the previous instruction. Place the bottom left and right logs as shown

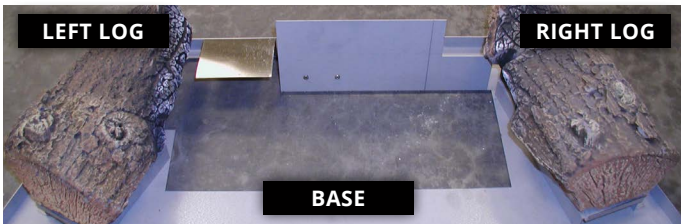


Figure 24. H38DF's Fireplace Base.

STEP 2: Place the back left log on top of the bottom left log, while resting the right side of the log on the mounting tray.



Figure 24.b

STEP 3: Place the top right log, align the tab on the underside of the log, far right end, with the notch in the bottom right log



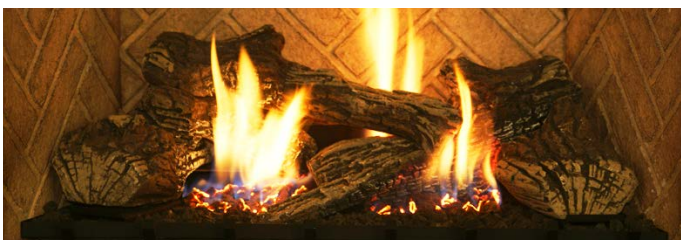
Figure 24.c

STEP 4: Rest the top log in the provided notch on top of the Top right log



Figure 24.d

STEP 5: Ember placement, (fill voids between front logs and along the front of the grate / pan).



Wildfire Logset Installation HW42DF

STEP 1: Insert the rear log. Locate the retaining bracket and slide bracket behind Rear Log retaining plate and fasten bracket to log



Figure 25. H42DF's Fireplace Base.

STEP 2: Place front Left log (Log B) and front right log (Log C). Place Log C knot hole as shown.

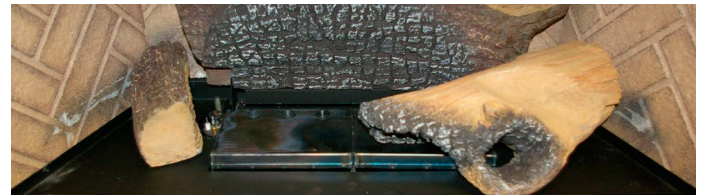


Figure 25.b

STEP 3: Place the Long front Left log (Log D) angle log with knot pointing inward toward centre of firebox. Place the Long front Right log (Log E) angle log with knot pointing outward toward front of Fireplace.



Figure 25.c

STEP 4: Place the Remaining two Front logs (Log F) & (Log G). Space Logs evenly with log feature direction as shown.



Figure 25.d

H38 Designer River Rocks Installation

STEP 1: Install the new Rock Tray and front cover. Make sure the tray is not sitting on top of the pilot.



Figure 26. H38DF*s Fireplace Base.

STEP 2: Slide the rock guard locator tabs behind the Burner. The rocks on the Rock Guard should line up between the air inlets of the burner.



Figure 26.b

STEP 3: Install Rear faux "A" ceramic 3 in1 Rock. Install Lower (17) seventeen Faux Rock "B"

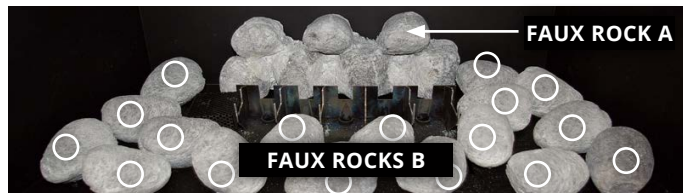


Figure 26.c

STEP 4: Install the Upper (8) eight Faux Rock "C" Note: place cut surfaces of Rocks face down on lower Rocks.



Figure 26.d

STEP 5: Next step, install the Front (3) three Center Front Faux Rocks "D"



H42 Designer River Rocks Installation

STEP 1: Install the new Rock Tray and front cover. Make sure the tray is not sitting on top of the pilot.



Figure 27. H42DF*s Fireplace Base.

STEP 2: Slide the rock guard locator tabs behind the Burner. The rocks on the Rock Guard should line up between the air inlets of the burner.



Figure 27.b

STEP 3: Install Rear faux "A" ceramic 3 in1 Rock. Place the (4) four centre faux rocks "B" on the riser spikes. faux rock C on Pilot cover.

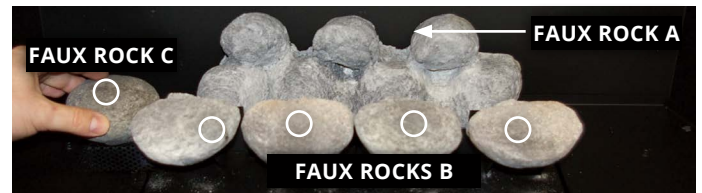


Figure 27.c

STEP 4: Place (18) eighteen faux rocks "D" as shown below.



Figure 27.d


STEP 5: Place three faux rocks "E" (shown circled). Place eleven faux rocks "F" (shown as squares)



Section 10: Start up Sequence

For Your Safety - READ BEFORE LIGHTING:

! DANGER



HOT GLASS WILL CAUSE BURNS. DO NOT TOUCH GLASS UNTIL COOLED. NEVER ALLOW CHILDREN TO TOUCH GLASS.

A barrier designed to reduce the risk of burns from the hot viewing glass is provided with this appliance and shall be installed for the protection of children and other at-risk individuals.

! WARNING

If the information in these instructions is not followed exactly, a fire or explosion may result causing property damage, personal injury or death.

WARNING/ CAUTION: Hot while in operation. Do not touch. Severe burns may result. Keep children, clothing, furniture, gasoline and other liquids having flammable vapours away.



See installation and operating instructions accompanying this appliance.


- A. This appliance is equipped with an ignition system that lights the pilot burner automatically. Do not attempt to light the pilot by hand.
- B. BEFORE LIGHTING smell all around the appliance area for gas. Be sure to smell next to the floor because some gas is heavier than air and will settle on the floor.
- WHAT TO DO IF YOU SMELL GAS:
- Do not try to light any appliance.
 - Do not touch any electrical switch; do not use any phone in your building.
 - Immediately call your gas supplier from a neighbor's phone. Follow the gas supplier's instructions.
 - If you cannot reach your gas supplier, call the Fire Department.

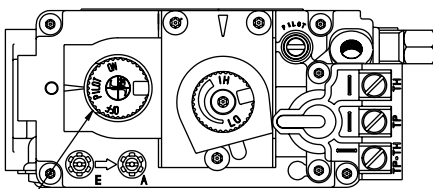
- C. Use only your hand to push in or turn the gas control knob. Never use tools. If the knob will not push in or turn by hand, don't try to repair it, call a qualified service technician. Force or attempt to repair may result in a fire or explosion.
- D. Do not use this appliance if any part has been under water. Immediately call a qualified service technician to inspect the appliance and to replace any part of the control system, and any gas control which has been under water.

Standing (Continuous) Pilot Ignition (SIT 820)

Lighting Instructions:

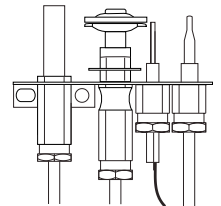
1. STOP! Read the safety information above on this label.
2. Lift out the lower Horizontal access panel.
3. Push in gas control knob and turn clockwise  to "OFF."
4. Wait five (5) minutes to clear out any gas. Smell for gas, including near the floor. If you then smell gas, STOP! Follow "B" in the safety information above on this label. If you don't smell gas, go to the next step.
5. Locate pilot burner (See illustration at right.) and follow steps below.
6. Turn knob on gas control counter clockwise  to "PILOT."

7. Push in gas control knob completely and hold. Light with Piezo Igniter button. Continue to hold the control knob in for about (1) minute after the pilot is lit. Release the knob and it will pop back up. Pilot should remain lit. If it goes out repeat steps 3 through 8.
If knob does not pop up when released. Stop and immediately call your service technician or gas supplier.
If the pilot will not stay lit after several tries, turn the gas control knob to "OFF" and call your service technician or gas supplier.
8. Push in gas control knob and turn counter-clockwise  to "ON."
9. Replace the lower Horizontal access panel.
10. Turn on remote switch to ignite fire.




Gas control knob (Shown in PILOT position)

NOTE: Gas control knob cannot be turned from "PILOT" to "OFF" unless knob is pushed in slightly. Do not force.



To Turn Off Gas To Appliance:

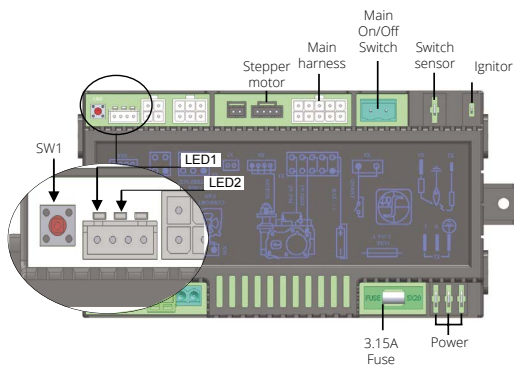
1. Turn off remote switch.
2. Lift out the lower Horizontal access panel.

3. Push in gas control knob slightly and turn  clockwise to "Off". Do not force.
4. Replace the lower Horizontal access panel.

SIT Proflame 2 Electronic Ignition

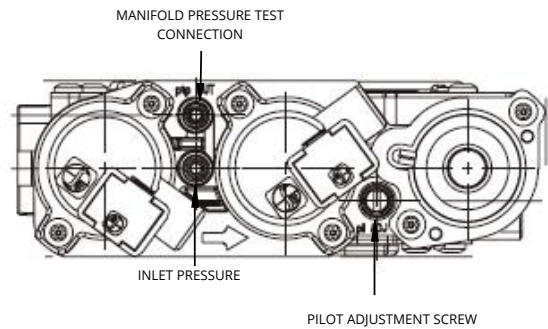
For Your Safety - READ BEFORE LIGHTING:

1. STOP! Read the safety information above on this label.
2. Remove the lower Horizontal access panel.
3. Turn "ON" manual "ON/OFF" switch located below the horizontal access panel (if available).
4. Turn Incoming gas valve to the "ON" position.
5. Wait 5 minutes to clear out any gas. If you smell gas, STOP! Follow "B" in the safety information above on this label. If you don't smell gas, go to the next step.



- SW1 = Programing Button
- LED1 = Red Diagnostic Light
- LED2 = Amber Programing Remote Control Light

6. Turn fireplace "ON" using wall switch or remote control.
7. If the Fireplace does not light, the System will cycle through two trials, (one minute audible clicking, thirty seconds of silence, and then another one minute of audible clicking). If the system locks out due to inadequate gas flow, refer to "Troubleshooting" in instruction guide.
8. After completion of the information in the Troubleshooting section, Repeat step 5.
9. If the system will not function correctly, follow the instructions "To Turn Off Gas To Appliance" and call your service technician or gas supplier.



To Turn Off Gas To Appliance:

1. Turn off fireplace using wall switch or remote control.
2. Remove the lower Horizontal access panel.
3. Turn the incoming gas control valve to "Off".
4. Replace the lower Horizontal access panel.

Remote Operation

The Proflame 2 System consists of the following elements:

1. Pilot Assembly
2. Proflame Gas Valve.
3. Proflame 2 Control Module
4. Wiring Harness
5. Variable Speed fans (If applicable)
7. Proflame 2 remote control
8. Battery Pack
- 9 Manual override switch

NOTE: Can not be used with home automation systems.

The Proflame 2 Transmitter controls the following fireplace functions

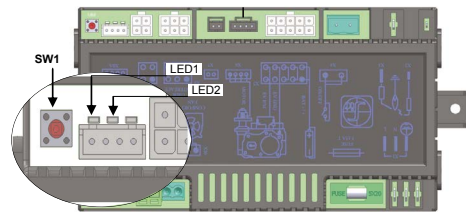
(all functions may not be available):

1. Main Burner On/Off
2. Main Burner flame modulation (6 levels).
3. Choice of standing or intermittent pilot (CPI/IPI).
4. Thermostat and Smart thermostat functions.
6. Fan speed modulation (6 levels).

The Proflame 2 Transmitter uses a streamlined design with a simple button layout and informative LCD display. A Mode Key is provided to index between the features and a Thermostat Key is used to turn On/Off or index through Thermostat functions, see Figure 27. Additionally, a Key Lock feature is provided.



Figure 27. Proflame 2 Remote



SW1 = Programming Button

LED1 = Red Diagnostic Light

LED2 = Amber Programming Remote Control Light

Figure 27.b Proflame 2 Control Module

⚠ WARNING

Do not expose remote control to temperatures below 0°C (32°F) or above 50°C (122°F)

⚠ CAUTION

Property Damage Hazard. Excessive heat can cause property damage.

The appliance can stay lit for many hours. Turn off the appliance if it is not going to be attended for any length of time.

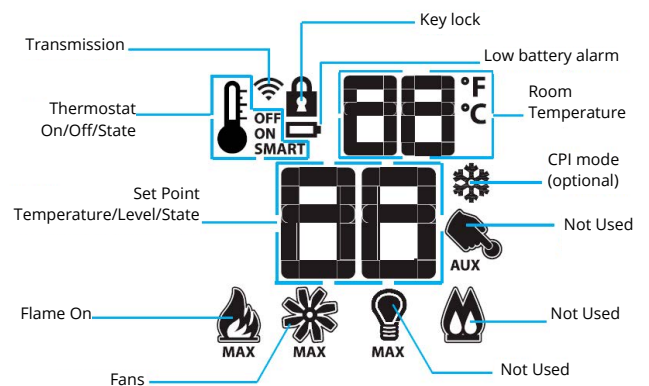


Figure 27.c Remote Control LCD Display

Initializing the System for the first time

1. Set master override switch to off position.
2. Install four (4) AA batteries into the battery holder.
3. Install three (3) AAA batteries in the back of the remote control. Note the polarity of batteries and install them as indicated by the silk screen (+/-) on the holder.
4. Connect AC Power (115 volts, 60 Hz) to fireplace.

Operating the System for the first time

Press SW1 button on the control module. The control module will beep three (3) times and an amber LED is illuminated to indicate that the IFC (control board) is ready to synchronize with a remote control within 10 sec. Push the ON button. The control module will "beep" four (4) times to indicate transmitter's command is accepted.

The System is now initialized.

Temperature Indication Display

With the system in the "Off" position, press the Thermostat Key and the Mode Key at the same time. Look at the LCD screen on the Remote Control to verify that a C or F is visible to the right of the Room Temperature display.

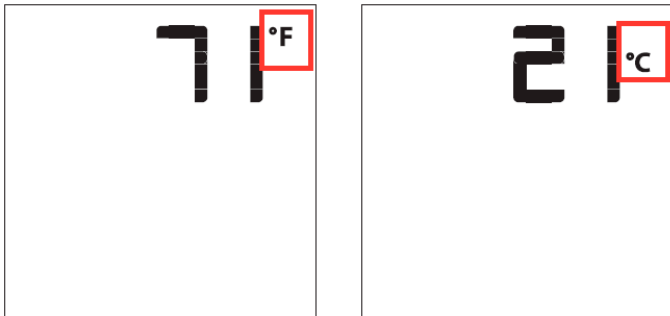


Figure 27.e Remote Control display in Fahrenheit & Celsius

Turn On the Fireplace

With the system Off, turn the master override switch to on and press the On/Off Key on the Remote Control. The Remote Control display will show some other active Icons on the screen. At the same time the Control Module will activate the fireplace. A single "beep" from the Control Module will confirm reception of the command.

Turn Off the Fireplace

With the system On, press the On/Off Key on the Remote Control. The Remote Control LCD display will only show the room temperature. At the same time the Control Module will turn off the fireplace. A single "beep" from the Receiver confirms reception of the command.



Figure 27.f Remote Control Display

Remote-Flame Control

When you turn on the fireplace it starts on high. The proflame 2 has six (6) flame levels. Each time you press the Down Arrow Key once the flame height will reduce by one step.

You can continue this until the main burner flame turns off. You can still operate the accent lights and fans in this mode.

If the main burner flame is off and you press the up arrow key once, the flame will automatically go to high.

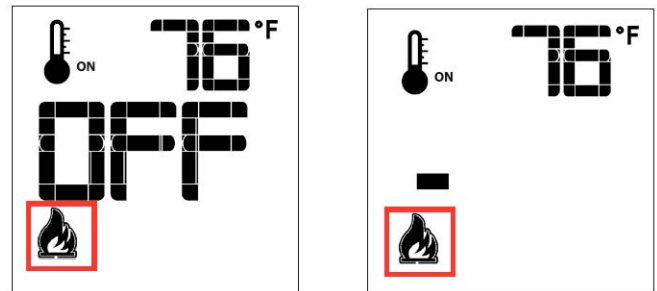


Figure 27.g Flame Off and Flame Level 1.

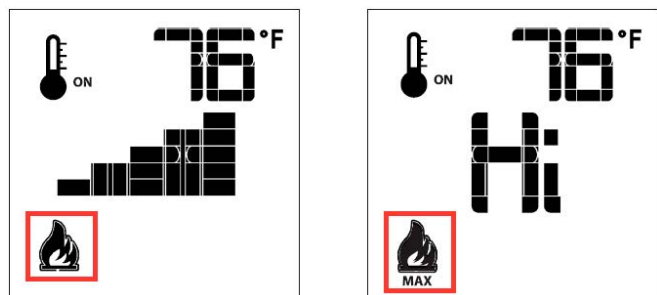


Figure 27.h Flame Level 5 and Flame Level Maximum

Room Thermostat (Remote Control Operation)

The Remote Control can operate as a room thermostat. The thermostat can be set to a desired temperature to control the comfort level in a room. To activate the function, press the Thermostat Key, see Figure 27i. The LCD display on the remote control will change to show that the room thermostat is "On" and the set temperature is now displayed. To adjust the set temperature press the Up or Down Arrow Keys until the desired set temperature is displayed on the LCD screen of the Transmitter.

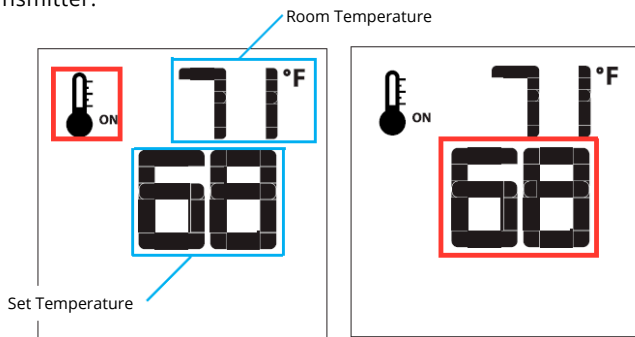


Figure 27.i Setting Room Thermostat

Smart Thermostat (Remote Control Operation)

The Smart Thermostat function adjusts the flame height in accordance to the difference between the set point temperature and the actual room temperatures. As the room temperature gets closer to the set point the Smart Function will modulate the flame down. To activate the function, press the Thermostat Key, see Figure 27.j, until the word "SMART" appears to the right of the temperature bulb graphic, see Figure 27j.

NOTE: When smart Thermostat is activated, manual flame height adjustment is disabled.

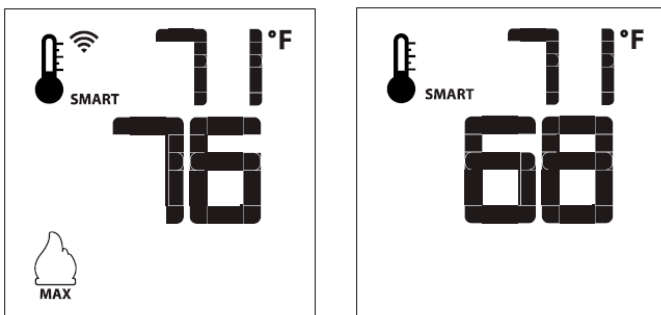


Figure 27.j Smart flame function

Disabling Thermostat

Some jurisdictions and bedroom installations require the thermostat to be disabled.

1. Partially take out one battery.
2. Insert the battery while holding down the thermostat button. The remote screen will display 'Clr' while the button is held down.
3. To enable thermostat repeat steps 1-2. The remote screen will display 'set' while the thermostat button is held down.

Fan Speed Control

The fireplace is equipped with optional hot air circulating fans. The speed of the fans can be controlled by the Proflame system. The fan speed can be adjusted through six (6) speeds. To activate this function use the Mode Key, see Figure 27, to index to the fan control icon, see Figure 27m. Use the Up/Down Arrow Keys to turn on, off, or adjust the fan speed. A single "beep" will confirm reception of the command.

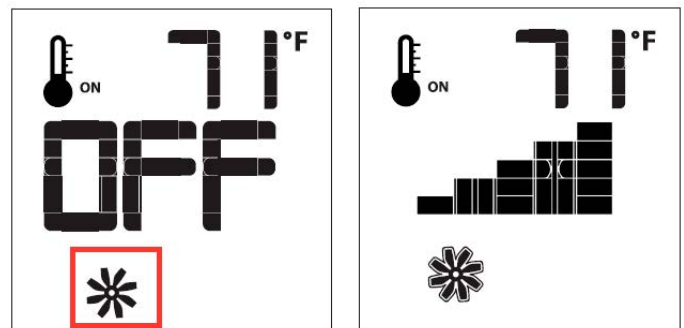


Figure 27.m Fan Speed Control

⚠ WARNING

Battery operated device. Read the battery instructions before installing them into the system. Do not expose any battery, or its holder, or a device in which batteries are installed, to a working temperature greater than 54°C / 129°F

Section 10: Cleaning and Maintenance

General

- Have the fireplace and installation inspected yearly. The inspection must include, but is not limited to, the following:
 - A visual check of the entire vent system and termination, where accessible.
 - An inspection of the explosion relief flappers and the door gaskets to ensure a proper seal.
 - An inspection of the burner, vent run, and primary air openings.
 - An inspection of the gas valve, gas components, and pilot flame. For your convenience a 1/8" manifold pressure tap is supplied on the gas valve for a test gauge connection.
 - Inspection of all optional equipment; fans, thermostats, remote control lights, etc.
- For Natural Gas this appliance requires a minimum inlet pressure of 5.5" W.C. and a manifold pressure of 3.5" W.C.
- For Propane Gas this appliance requires a minimum inlet pressure of 11" W.C. and a manifold pressure of 10" W.C.
- Always keep the fireplace area clear and free of combustibile materials, as well as gasoline and other flammable vapors and liquids.
- Do not use this appliance if any part has been under water. Immediately call a qualified service technician to inspect the appliance and to replace any part of the control system and any gas control which has been under water.
- Inspection of glass doors and screen for damage and proper installation.

Cleaning

When the fireplace is first activated, there may be some smoke and a visible film may be left on the glass. This is a normal condition, and is the result of burning of protective coatings on new metal.

- Glass must be cleaned periodically to remove any film (which is a normal by-product of combustion) which may be visible. Film can easily be removed by removing the door. Handle the door carefully, and clean it with non-abrasive, non-ammonia based glass cleaners. One of the most effective products is Kel-Kem.
- During the initial firing, Silicone seals will "off gas", leaving a visual deposit of a white substance on combustion chamber walls. This can easily be removed using normal household products.
- Use a vacuum cleaner or whisk broom to keep the control compartment, burner, and firebox free from dust and lint.

NOTICE

Do not use ammonia or abrasive cleaners on the glass, they will permanently etch the surface. Use an approved gas fireplace cleaner such as Kel-Kem or White off.

Hi-Lo Burner Adjustment: (SIT 820).

To adjust the flames, locate the black knob marked 'Hi-Lo', in the centre of the gas control valve

- To raise the flame height, turn the black knob (located behind the lower control compartment) counter-clockwise.
- To lower the flame height, turn clockwise.

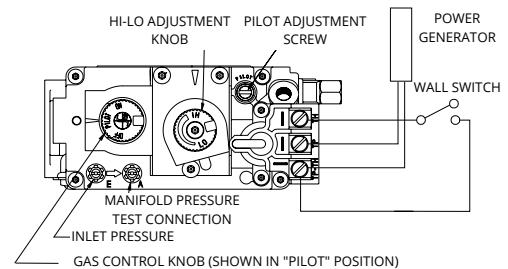


Figure 28. Hi-Lo' Adjustment on the SIT Nova 820 gas valve

Hi-Lo Burner Adjustment: (Proflame 2).

To adjust the flames, locate the black knob marked 'Hi-Lo', in the centre of the gas control valve

- To raise the flame height, turn the black knob (located behind the lower control compartment) counter-clockwise.
- To lower the flame height, turn clockwise.

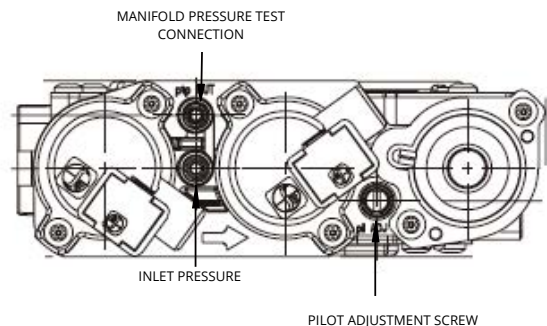


Figure 28.b 'Hi-Lo' Adjustment on the SIT Proflame 2 gas valve.

Pilot Burner Adjustment.

1. Locate Pilot Adjustment Screw.
2. Adjust pilot screw to provide properly sized flame as shown.
3. After installing or servicing, leak test with a soap solution with main burner on. Coat pipe and tubing joints, gasket etc. with soap solution. Bubbles indicate leaks. Tighten any areas where the bubbles appear until the bubbling stops completely.

Annual inspection list for determining safe operation of a direct vent gas fireplace

- 1) Inspect and operate the pressure relief mechanism to verify relief mechanisms are free from obstruction to operate.
- 2) Clean glass window with a suitable fireplace glass cleaner. Abrasive cleaners must not be used. Be careful not to scratch the glass when cleaning.
- 3) Inspect the operation of the flame safety system Pilot or Flame rectification device.
- 4) Inspect and ensure the lighting of the main burner occurs within 4 seconds of the main gas valve opening. Visual inspection should match that outlined in the appliance instruction manual. Inspect primary air openings for blockage.
- 5) Inspect condition of vent and vent terminal for sooting or obstruction and correct if present.
- 6) Vacuum and clean any debris in the firebox that is not supposed to be there.
- 7) Test and measure the flame failure response time of the flame safety system. It must de-energize the safety shutoff in no more than 30 seconds.
- 8) Check all accessible gas-carrying tubes, connections, pipes and other components for leaks.

Troubleshooting SIT 820

The following is a troubleshooting chart of possible problems:

PROBLEM	SOLUTION
Noisy Pilot Flame	Locate pilot adjustment screw on gas control valve. Flame is decreased by turning adjustment screw clockwise.
Pilot won't ignite	Disconnect remote wires and try to light pilot. If pilot now works, remote connections are faulty. Check wiring diagram
Main burner will not light	1. Check wiring 2. Check wall switch for proper connection

Troubleshooting SIT Proflame 2

The following is a troubleshooting chart of possible problems:

PROBLEM	SOLUTION
Pilot Igniter won't spark	1. Check the MAIN ON-OFF switch (typically located below the valve cover) and turn ON 2. Ensure main power is ON or new batteries are installed in the remote control and backup battery pack (if available). 3. Check the 3.15A fuse in the control box and replace if necessary
Pilot Igniter sparking, but Pilot burner will not light	1. Verify the Inlet and Manifold Gas Pressure are within acceptable limits 2. Check all connections to gas valve 3. Check connection to stepper motor (if available)
Pilot lights , but Main burner will not Light	1. Check and verify all wiring connections as per the wiring diagram. 2. Verify the inlet and Manifold Pressure are within acceptable limits
Pilot lights , but Main burner will not Light and igniter continues to spark	1. Check the Pilot Flame Sensor Rod and clean with steel wool or similar. 2. Check the Pilot hood and clean with steel wool if dirty. 3. Adjust pilot flame using the pilot adjustment screw if the pilot flame is too long or too short (Flame should fully engulf the sensor rod and must be stable). 4. Check and make sure the ground wire from the pilot is connected to the fireplace body.
Fans not working	1. Ensure main power is ON (fireplace may be operating on back up batteries). 2. Check the 3.15A fuse in the control box and replace if necessary

If your fireplace still does not operate correctly, consult your local Montigo dealer.

All service and repairs should be performed by a qualified Technician.

Spare parts and accessories are available from your local Montigo dealer.

Replacement Parts

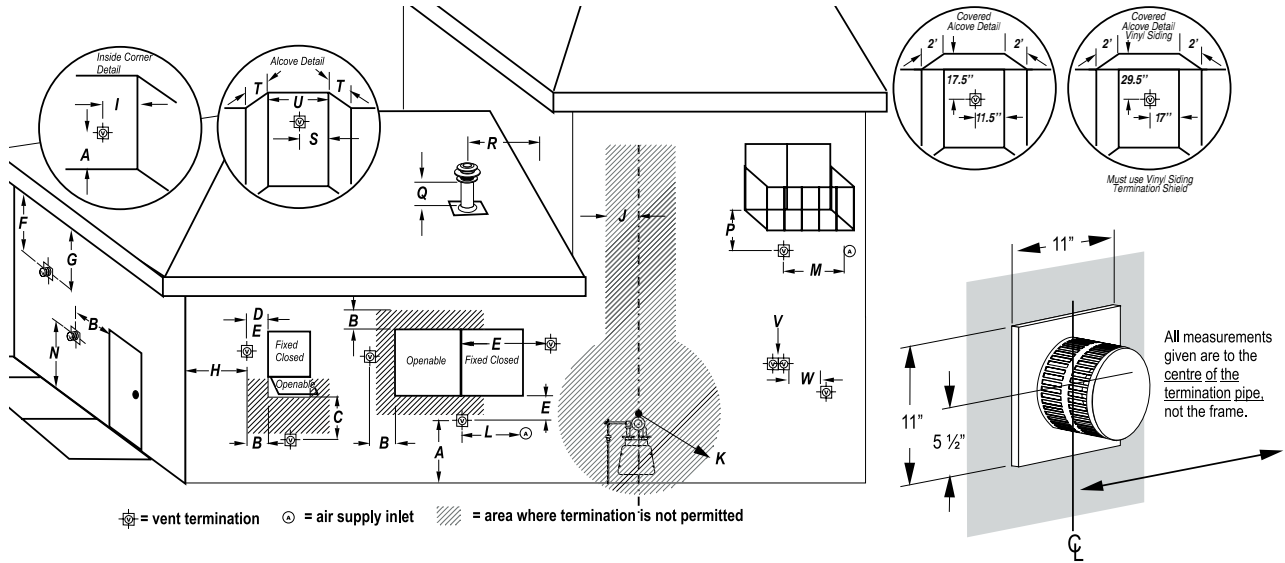
Replacement Parts List - Standing Pilot

Part	H34DF	H38DF	HL38DF	HW38DF	H42DF	HL42DF	HW42DF
Log Set	RLGSH34	RLGSH38E	N/A	RLGSHW38	RLGSH42	N/A	RLGSHW42
NG Gas Valve	RGC1006						
Propane Gas Valve	RGC1005						
NG Pilot	RPA020						
Propane Pilot	RPA021						
NG Burner	Contact Local Montigo Dealer						
Propane Burner							
Thermocouple	RTC182						
Thermopile	RPG001						
Piezo Ignitor	PIEZO						
Pilot Tubing	RPTA03						
Door	RDTH34	RDTH38			RDTH42		
Replacement Screen	RSCH34	RSCH38			RSCH42		

Replacement Parts List - SIT IPI Proflame 2

Part	H34DF	HP38DF	H38DF	HL38DF	HW38DF	HP42DF	H42DF	HL42DF	HW42DF
Log Set	RLGSH34	RLGSH38E	RLGS47	N/A	RLGSHW38	RLGSH42E	RLGSH42	N/A	RLGSHW42
NG Gas Valve (with stepper motor)	RGC3033								
Propane Gas Valve (with stepper motor)	RGC3034								
NG Pilot Assembly	RPA035								
Propane Pilot Assembly	RPA036								
Ignitor Probe Assembly	RGC3075								
Flame sensor rod assembly	RGC3076								
Pilot Tubing	RPTA03								
Control Module	RGC3095								
Proflame Transmitter	RGC3063								
Door	RDTH34	RDTH38				RDTH42			
Replacement Screen	RSCH34	RSCH38				RSCH42			

Appendix A: Venting Terminations



Location	Canada*	USA**
A clearance to the termination frame above grade, veranda, porch, deck, or balcony	12 inches	12 inches
B clearance to top of doors or operable windows	12 inches	12 inches
C clearance to sides or bottom of door or operable windows	12 inches	9 inches
D clearance to permanently closed window when installed with approved glass penetration termination	0	0
E clearance to permanently closed window Recommended to prevent condensation	16 inches	16 inches
F clearance to ventilated soffit located within a horizontal distance to 24 inches from centerline of termination	22 inches	22 inches
G clearance to unventilated soffit	30 inches to combustibles 16 inches to non-combustibles	30 inches to combustibles 16 inches to non-combustibles
H clearance to outside corner	9 inches	9 inches
I clearance to inside corner	12 inches	12 inches
J clearance to each side of the vertical centerline of a metre or regulatory assembly to a maximum vertical distance of 15ft	3 feet	3 feet
K clearance to service regulator vent outlet	3 feet	3 feet
L clearance to non mechanical air supply inlet to the building or combustion air inlet to other appliance for appliance <= 100,000 BTU/H (30 kW)	12 inches	12 inches
M clearance to forced air supply inlet	6 feet	3 feet above air inlet
N clearance above paved sidewalk or paved driveway located on public property	7 feet	7 feet
P clearance under veranda, porch, deck, or balcony	22 inches to combustibles 16 inches to non-combustibles	22 inches to combustibles 16 inches to non-combustibles
Q clearance above roof	2 feet	2 feet
R clearance to adjacent walls and neighboring buildings	2 feet	18 inches
S clearance from corner in recessed location	12 inches	12 inches
T Maximum depth of recessed location	4 feet	4 feet
U Minimum width for back wall of recessed location	2 feet	2 feet
V Horizontal clearance between two terminations that are level	0	0
W Horizontal clearance (centre to centre) between two terminations that are not level	18 inches	18 inches

Note 1: For N a vent shall not terminate directly above the sidewalk or paved driveway which is located between two single family dwellings and serve both dwelling.

Note 2: For P only permitted if veranda, porch, deck, or balcony is fully open on a minimum of two sides beneath the floor

Note 3: For J, K, and as specified in CGA B149 installation code. Local codes or regulations may vary.

* Based on CGA B149.1 Natural Gas and Propane installation code. Local codes may vary, please check with local regulatory agency.

** Based on ANSI Z223.1/NFPA 54 National Fuel Gas Code. Local codes may vary, please check with local regulatory agency.

Appendix B: Warranty

MONTIGO RESIDENTIAL WARRANTY PROGRAM

Canadian Heating Products Inc. and/or Montigo DelRay Corp (collectively referred to herein as "The Companies"), warrants the Montigo gas appliance (referred to herein as 'the appliance') to be free from defects in materials and workmanship at the time of manufacture. The gas appliance and related components are further subject to the terms and conditions set forth below.

This warranty covers the following Montigo product series: Distinction, H, I, L, Linear P and PL, R and Mahana

Component	Coverage Period	Labor Coverage
Firebox, heat exchanger	15 years	1 year
Main burner	15 years	1 year
Gas control valve and related control components (pilot assembly, spark electrode flame sensors, thermopile)	1 year	1 year
Electrical components (internal blowers, ignition control module, wiring, switches, remote control systems, blower control module, accent bulbs)	1 year	1 year
Firebox media (logset, glass beads, river rocks)	1 year	1 year
Glass (thermal breakage)	1 year	1 year
Plated, painted finishes (including interior reflective glass)	1 year	1 year
Refractory lining	1 year	1 year
Mesh/Glass safety barriers	1 year	1 year
Power Vent Control box	1 year	1 year
Montigo Venting (excluding terminations)	15 years	1 year

QUALIFICATIONS TO THE WARRANTY

This Warranty only covers gas appliances installed in the United States or Canada.

To receive the benefits of this warranty, the appliance must be purchased, installed and serviced annually by a dealer authorized by the Companies for the warranty to be valid.

The gas appliance must be installed by a licensed professional in accordance with The Companies' installation instructions and local building codes. The warranty on the appliance covers only components manufactured by The Companies. The use of components manufactured or supplied by other manufactures and used in conjunction with the appliance could create serious safety hazards, may result in the denial of certification by recognized national safety agencies and could violate local building codes. Such use may untimely void this warranty. This warranty does not cover any damages occurring from the use of any components not manufactured or supplied by The Companies.

The appliance must be subjected to normal use. The appliance is designed to burn natural gas (NG) or liquefied petroleum (LP) only. Burning conventional fireplace fuels such as wood, coal or any other solid fuel will cause damage to the appliance, produce excessive temperatures will result in a fire hazard and void all warranties. This warranty is transferable. The appliance must remain in its original place of installation to be valid.

If the components of the appliance covered by this warranty are found to be defective within the time frame stated (see The Companies investigation of claims), the companies will, at its option, replace or repair defective components of the appliance manufactured by the company at no charge and will also pay for labor costs (in accordance with schedule) incurred in replacing or repairing components. If repair or replacement is not commercially practical, the companies will, at its sole discretion, provide a current or most like unit, excluding the cost of labor unless the labor is covered by the terms of the warranty.

This warranty covers only parts and labor as provided above. In no case shall the companies be responsible for materials, components or construction. All replacement or repair components will be shipped F.O.B. from the nearest Company factory.

LIMITATION ON LIABILITY

It is agreed and understood that The Companies sole obligation, and purchaser's exclusive remedy under this warranty, under any other warranty, expressed or implied, or in contract, tort or otherwise, shall be limited to repair or replacement as specified above. The opinion of The Companies with respect to these matters shall be final.

In no event shall The Companies be responsible for any incidental or consequential damages caused by (but not limited to) improper installation, installation by an unqualified or unauthorized installer, accident, lack of regular maintenance, user error, abuse, misuse, Acts of God, power surges, floods, natural disasters, force majeure, defects in its appliance whether such damage occurs or is discovered before or after replacement or repair, and whether or not such damage is caused by The Companies negligence. Some jurisdictions do not allow the exclusion or limitation of incidental or consequential damages, so the above limitation or exclusion may not apply to you. The duration of any implied warranty with respect to the appliance is limited to the duration of the foregoing warranty. Some jurisdictions do not allow limitations on how long an implied warranty lasts, so the above limitation or exclusion may not apply to you.

Appendix B: Warranty Continued

EXCLUSIONS TO WARRANTY

Corrosion or rust of any kind due to a lack of maintenance, inadequate combustion air or improper venting and corrosive chemicals/environments, expansion and contraction of metals or minor movements of components causing noise are not covered by this warranty.

Willful misconduct (i.e. use of the appliance with problems known to the purchaser and causing further damages), including unauthorized or self-performed 'fixing' or exploration of the appliance's internal workings will void the warranty.

Appliances on which the serial number has been altered, defaced, removed or made illegible will void the warranty.

Costs incurred for diagnosis, service work, shipping and handling of defective or replacement parts are not covered under this warranty.

The published warranties are not applicable for any equipment manufactured by The Companies that has been sold direct to the consumer via internet or auction websites. The Companies do not endorse, approve or certify any online sale of its products through auction websites, online retailers or any other method of online sales direct to consumers.

INVESTIGATION OF CLAIMS AGAINST WARRANTY

The Companies reserve the right to investigate any and all claims against this warranty and decide upon method of settlement.

The Companies are not responsible for work done without written consent of The Companies.

The Companies shall in no event be responsible for any warranty work done without first obtaining the Companies written consent.

The Companies employees and dealers have no authority to make any warranties to neither alter this warranty nor authorize any remedies in addition to or inconsistent with those stated within this warranty.

IF WARRANTY SERVICE IS NEEDED

To make a claim under this warranty, contact your installing dealer or contractor. The installing dealer is responsible for providing service and will contact the companies to initiate warranted parts replacements. In the event the installing dealer is unavailable, contact your nearest authorized Montigo dealer (www.Montigo.com) or contact Montigo direct at techsupport@montigo.com. Ensure you have your sales receipt and the model and serial number of your appliance.

DO NOT ATTEMPT TO DO ANY SERVICE WORK YOURSELF

If you cannot locate the installing dealer, or nearest dealer/distributor, you must notify The Companies in writing.

USA Offices

6955 Salashan Parkway
Ferndale WA, 98248
techsupport@montigo.com

Canadian Offices

27342 Gloucester Way
Langley, BC V4W 4A1
techsupport@montigo.com

The terms and conditions of this warranty may be altered or amended from time to time without prior notice.

WARRANTY PERIOD: Warranty coverage begins on the date of original purchase. In the case of new construction, warranty coverage begins on the date of first occupancy of the dwelling or six months after the sale of the product by an independent, authorized Company dealer/ distributor, whichever occurs earlier.

Appendix C: Amendment

(Gas Fireplace / Equipment sold in the State of Massachusetts)

5.08: Modifications to NFPA-54, Chapter 10

- (1) Revise NFPA-54 section 10.5.4.2 by adding a second exception as follows:

Existing chimneys shall be permitted to have their use continued when a gas conversion burner is installed, and shall be equipped with a manually reset device that will automatically shut off the gas to the burner in the event of a sustained back-draft.

- (2) Revise 10.8.3 by adding the following additional requirements:

(a) For all side wall horizontally vented gas fueled equipment installed in every dwelling, building or structure used in whole or in part for residential purposes, including those owned or operated by the Commonwealth and where the side wall exhaust vent termination is less than seven (7) feet above finished grade in the area of the venting, including but not limited to decks and porches, the following requirements shall be satisfied:

1. **INSTALLATION OF CARBON MONOXIDE DETECTORS.** At the time of installation of the side wall horizontal vented gas fueled equipment, the installing plumber or gas fitter shall observe that a hard wired carbon monoxide detector with an alarm and battery back-up is installed on the floor level where the gas equipment is to be installed. In addition, the installing plumber or gas fitter shall observe that a battery operated or hard wired carbon monoxide detector with an alarm is installed on each additional level of the dwelling, building or structure served by the side wall horizontal vented gas fueled equipment. It shall be the responsibility of the property owner to secure the services of qualified licensed professionals for the installation of hard wired carbon monoxide detectors
 - a. In the event that the side wall horizontally vented gas fueled equipment is installed in a crawl space or an attic, the hard wired carbon monoxide detector with alarm and battery back-up may be installed on the next adjacent floor level.
 - b. In the event that the requirements of this subdivision can not be met at the time of completion of installation, the owner shall have a period of thirty (30) days to comply with the above requirements; provided, however, that during said thirty (30) day period, a battery operated carbon monoxide detector with an alarm shall be installed.
2. **APPROVED CARBON MONOXIDE DETECTORS.** Each carbon monoxide detector as required in accordance with the above provisions shall comply with NFPA 720 and be ANSI/UL 2042 listed and IAS certified.
3. **SIGNAGE.** A metal or plastic identification plate shall be permanently mounted to the exterior of the building at a minimum height of eight (8) feet above grade directly in line with the exhaust vent terminal for the horizontally vented gas fueled heating appliance or equipment. The sign shall read, in print size no less than one-half (1/2) inch in size, "GAS VENT DIRECTLY BELOW. KEEP CLEAR OF ALL OBSTRUCTIONS".

4. **INSPECTION.** The state or local gas inspector of the side wall horizontally vented gas fueled equipment shall not approve the installation unless, upon inspection, the inspector observes carbon monoxide detectors and signage installed in accordance with the provisions of 248 CMR 5.08(2)(a)1 through 4.

(b) **EXEMPTIONS:** The following equipment is exempt from 248 CMR 5.08(2)(a)1 through 4:

1. The equipment listed in Chapter 10 entitled "Equipment Not Required To Be Vented" in the most current edition of NFPA 54 as adopted by the Board; and
 2. Product Approved side wall horizontally vented gas fueled equipment installed in a room or structure separate from the dwelling, building or structure used in whole or in part for residential purposes.
- (c) **MANUFACTURER REQUIREMENTS - GAS EQUIPMENT VENTING SYSTEM PROVIDED.** When the manufacturer of Product Approved side wall horizontally vented gas equipment provides a venting system design or venting system components with the equipment, the instructions provided by the manufacturer for installation of the equipment and the venting system shall include:
1. Detailed instructions for the installation of the venting system design or the venting system components; and
 2. A complete parts list for the venting system design or venting system.
- (d) **MANUFACTURER REQUIREMENTS - GAS EQUIPMENT VENTING SYSTEM NOT PROVIDED.** When the manufacturer of a Product Approved side wall horizontally vented gas fueled equipment does not provide the parts for venting the flue gases, but identifies "special venting systems", the following requirements shall be satisfied by the manufacturer:
1. The referenced "special venting system" instructions shall be included with the appliance or equipment installation instructions; and
 2. The "special venting systems" shall be Product Approved by the Board, and the instructions for that system shall include a parts list and detailed installation instructions.
- (e) A copy of all installation instructions for all Product Approved side wall horizontally vented gas fueled equipment, all venting instructions, all parts lists for venting instructions, and/or all venting design instructions shall remain with the appliance or equipment at the completion of the installation.
- (3) After NFPA-54 section 10.10.4.2 add a new section 10.10.4.3 as follows:
- When more than four gas appliances are to be vented through a common gas vent or common horizontal vent manifold, a plan of the proposed vent installation shall be submitted to the Inspector and the serving gas supplier for review and approval.

Extraction from: Massachusetts Rules and Regulations

5.00: Amendments To 2002 Edition Of ANSI Z223.1-NFPA-54

**H34, HLB34, HLB34-2,
H38, HL38, HW38,
H42, HL42, HW42**
Indoor Direct Vent Gas Fireplace