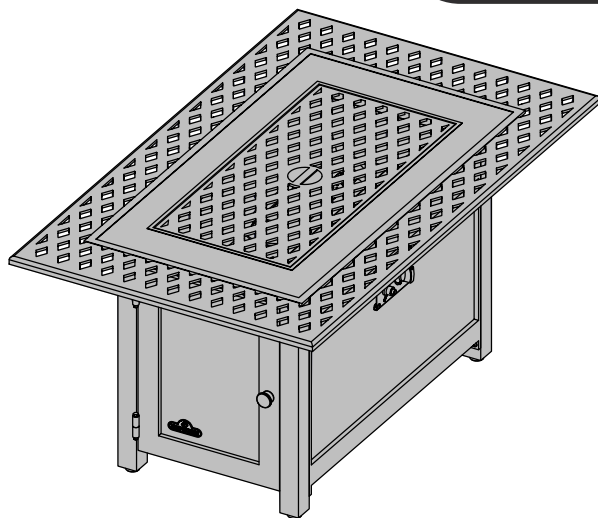
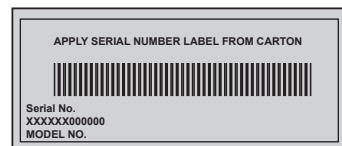
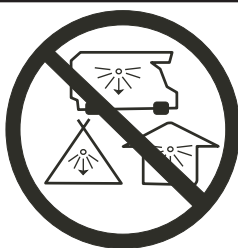


This gas appliance must be used only outdoors in a well-ventilated space and must not be used inside a building, garage, screened-in porch, gazebo or any other enclosed area.



PATIOFLAME
OUTDOOR GAS FIREPIT
VICT1 (GPFR40)
VICT2 (GPFS40)
VICT3 (GPFC40)



DANGER! CARBON MONOXIDE HAZARD

This appliance can produce carbon monoxide, which has no odor. Using it in an enclosed space can kill you. Never use this appliance in an enclosed space such as a camper, tent, car or home.



DANGER

IF YOU SMELL GAS:

- Shut off gas to the appliance.
- Extinguish any open flame.
- If odor continues, keep away from the appliance and immediately call your gas supplier or fire department.



WARNING! For Outdoor Use Only.



WARNING

Do not try to light this appliance without reading the "LIGHTING" instructions section of this manual.

Do not store or use gasoline or other flammable liquids or vapors in the vicinity of this or any other appliance. An L.P. cylinder not connected for use must not be stored in the vicinity of this or any other appliance. If the information in these instructions is not followed exactly, a fire or explosion may result, causing property damage, personal injury or death.

INSTALLER: LEAVE THIS MANUAL WITH THE APPLIANCE.

CONSUMER: RETAIN THIS MANUAL FOR FUTURE REFERENCE.



Intertek

N415-0390 MAY 09.18

Wolf Steel Ltd.
214 Bayview Drive,
Barrie, Ontario, CANADA L4N 4Y8
grills@napoleonproducts.com

www.napoleongrills.com

EN

FR
PG.41

Napoleon President's 3 Year Limited Warranty



NAPOLEON products are designed with superior components and materials, and are assembled by trained craftsmen who take great pride in their work. This product has been thoroughly inspected by a qualified technician before packaging and shipping to ensure that you, the customer, receive the quality product you expect from NAPOLEON.

NAPOLEON warrants that components in your new NAPOLEON product will be free from defects in material and workmanship from the date of purchase, for the following period:

Aluminum table top and pedestal	3 years
Stainless steel housing.....	3 years
Stainless steel burner assembly	3 years
All other parts	2 years

* Conditions and Limitations

This Limited Warranty creates a warranty period as specified in the aforementioned table, for any product purchased through an authorized NAPOLEON dealer, and entitles the original purchaser to the specified coverage in respect of any component replaced within the warranty period, either by NAPOLEON or an authorized NAPOLEON dealer, to replace a component of such product that has failed in normal private use as a result of a manufacturing defect. The "50% off" indicated in the table means the component is made available to the purchaser at a 50% discount off the regular retail price of the component for the period indicated. This Limited Warranty does not cover accessories or bonus items.

For greater certainty, "normal private use" of a product means that the product: has been installed by a licensed, authorized service technician or contractor, in accordance with the installation instructions included with the product and all local and national building and fire codes; has been properly maintained; and has not been used as a communal amenity or in a commercial application.

Similarly, "failure" does not include: over-firing, blow outs caused by environmental conditions such as strong winds or inadequate ventilation, scratches, dents, corrosion, deterioration of painted and plated finishes, discoloration caused by heat, abrasive or chemical cleaners or UV exposure, chipping of porcelain enameled parts, or damages caused by misuse, accident, hail, grease fires, lack of maintenance, hostile environments such as salt or chlorine, alterations, abuse, neglect or parts installed from other manufacturers.

Should deterioration of parts occur to the degree of non-performance (rusted through or burnt through) within the duration of the warranted coverage, a replacement part will be provided. The replacement component is the sole responsibility of NAPOLEON defined by this Limited Warranty; in no event will NAPOLEON be responsible for installation, labor or any other costs or expenses related to the re-installation of a warranted part, for any incidental, consequential, or indirect damages or for any transportation charges, labor costs or export duties.

This Limited Warranty is provided in addition to any rights afforded to you by local laws. Accordingly, this Limited Warranty imposes no obligation upon NAPOLEON to keep parts in stock. Based on the availability of parts, NAPOLEON may at its discretion discharge all obligations by providing a customer a prorated credit towards a new product. After the first year, with respect to this Limited Warranty NAPOLEON may, at its discretion, fully discharge all obligations with respect to this warranty by refunding to the original warranted purchaser the wholesale price of any warranted but defective part(s).

The bill of sale or copy will be required together with a serial number and a model number when making any warranty claims from NAPOLEON. NAPOLEON reserves the right to have its representative inspect any product or part prior to honoring any warranty claim. You must contact NAPOLEON Customer Service or an authorized NAPOLEON dealer to obtain the benefit of the warranty coverage.



napoleongrills.com



WARNING! For Outdoor Use Only.



WARNING! Improper installation, adjustment, alteration, service or maintenance can cause injury or property damage. Read the installation, operating and maintenance instructions thoroughly before installing or servicing this gas appliance.

EN

Safe Operating Practices

- **THIS APPLIANCE IS HOT WHEN OPERATING AND CAN CAUSE SEVERE BURNS IF CONTACTED.**
- **Installation and repair should be done by a qualified service person. The appliance should be inspected before use and at least annually by a qualified service person. More frequent cleaning may be required as necessary. It is imperative the control compartment, burners and circulating air passageways of the appliance be kept clean.**
- Do not operate appliance before reading and understanding operating instructions. Failure to operate appliance according to operating instructions could cause fire or injury.
- Risk of burns. The appliance should be turned off and cooled before servicing.
- Do not install damaged, incomplete or substitute components.
- **Young children should be carefully supervised when they are in the area of the appliance. Toddlers, young children and others may be susceptible to accidental contact burns. A physical barrier is recommended if there are at risk individuals in the vicinity. To restrict access to an appliance or stove, install an adjustable safety gate to keep toddlers, young children and other at risk individuals out of the vicinity and away from hot surfaces.**
- Ensure you have incorporated adequate safety measures to protect infants/toddlers from touching hot surfaces.
- Under no circumstances should this appliance be modified.
- Keep the packaging material out of reach of children and dispose of the material in a safe manner. As with all plastic bags, these are not toys and should be kept away from children and infants.
- Do not leave appliance unattended when in use.
- For Outdoor use only.
- This appliance must not be used for cooking.
- This unit is not for use with solid fuel.
- Improper installation, adjustment, alteration, service, or maintenance can cause injury or property damage. Read the installation, operating and maintenance instructions thoroughly before installing or servicing this equipment.
- This appliance shall be used ONLY outdoors in a well-ventilated space and shall NOT be used inside a building, garage, or any other enclosed area.
- Cylinders must be stored outdoors in a well-ventilated area out of reach of children. Disconnected cylinders must have threaded valve plugs tightly installed and must not be stored in a building, garage or any other enclosed area.
- Storage of this appliance indoors is permissible only if it has been disconnected from its fuel supply (natural gas line or LP gas cylinder).
- If it is evident there is excessive abrasion or wear, or the hose is cut, it must be replaced prior to the appliance being put into operation.
- **Clothing or other flammable materials should not be hung from the appliance, or placed on or near the appliance.**
- **Any guard or other protective device removed for servicing the appliance must be replaced prior to operating the appliance.**
- Inspect the fuel supply connection for signs of leakage (including the hose for LP models) before each use of the appliance.
- The pressure regulator and hose assembly supplied with LP models must be used. Replacement pressure regulators and hose assemblies must be those specified in this manual.
- The LP gas supply cylinder used with LP models must be constructed and marked in accordance with the specifications for LP-gas cylinders as required by the U.S. Department of Transportation (DOT) or the Canadian Transport Commission (CTC).
- The LP gas cylinder supply system must be arranged for vapour withdrawal.
- The LP-gas cylinder used must include a collar to protect the cylinder valve.
- When an LP model is not in use, the LP-gas must be turned off at the supply cylinder.
- To extend the life of your appliance, protect and cover it from the elements when not in use.
- This product must be installed by a licensed plumber or gas fitter when installed within the commonwealth of Massachusetts.

General Information

This gas appliance was tested and listed to Canadian and American National Standards, ANSI Z21.97-2014/CSA 2.41-2014 "Standard for Outdoor Decorative Gas Appliance". When an appliance is for connection to a fixed piping system, the installation must conform with local codes, or in the absence of local codes, with the National Fuel Gas Code, ANSI Z223.1/NFPA 54, International Fuel Gas Code, Natural Gas and Propane Installation Code, CSA B149.1, or Propane Storage and Handling Code, B149.2, as applicable.

This appliance should be installed and serviced by a qualified installer to conform with local codes.

Installation practices vary from region to region and it is important to know the specifics that apply to your area, for example: in Massachusetts State:

- The appliance off valve must be a "T" handle gas cock.
- The flexible connector must not be longer than 36 inches.

The appliance and its individual shut off valve must be disconnected from the gas supply piping system during any pressure testing of the system at test pressures in excess of 1/2 psig (3.5kPa).

This appliance must be isolated from the gas supply piping system by closing its individual manual shut off valve during any pressure testing of the gas supply piping system at test pressures equal to or less than 1/2 psig (3.5kPa).

The following clearances to combustible materials must be maintained:

Sides (all around)	- 24 inches (610mm)
Top	- 72 inches (1830mm)
Floor	-9 inches (229mm)

- Always keep the appliance area clear and free from combustible materials, gasoline, and other flammable vapours and liquids.
- Do not locate appliance where it can get excessively wet.
- Do not use this appliance if any part has been under water. Immediately call a qualified service technician to inspect the unit and to replace any part of the control system and any gas control, which has been underwater.



We suggest that our gas hearth products be installed and serviced by professionals who are certified in the U.S. by the National Fireplace Institute® (NFI) as NFI Gas Specialists.



WARNING: This product can expose you to chemicals including lead and lead compounds, which are known to the State of California to cause cancer, and chemicals including carbon monoxide, which are known to the State of California to cause birth defects or other reproductive harm. For more information go to www.P65Warnings.ca.gov.

Getting Started

1. **Remove all of the parts from the carton. Use the parts list to ensure all necessary parts are included.**
2. Do not destroy packaging until the appliance has been installed and operates to your satisfaction.
3. Choose a location that meets the clearance to combustibles as outlined in this manual. Take into consideration the need for clear and easy access to the on/off valve AFTER the appliance is installed and connected to the gas supply in order to safely turn off the burner.
4. **Most stainless steel parts are supplied with a protective plastic coating that must be removed prior to using the appliance. The protective coating has been removed from some of the parts during the manufacturing process and may have left behind a residue that can be perceived as scratches or blemishes. To remove the residue, vigorously wipe the stainless steel in the same direction as the grain.**
5. Read and follow all instructions in this manual before installing or servicing this gas appliance.

If you have any questions about assembly or appliance operation, or if there are damaged or missing parts please call our Customer Solutions Department at 1-866-820-8686 between 9 AM and 5 PM (Eastern Standard Time).

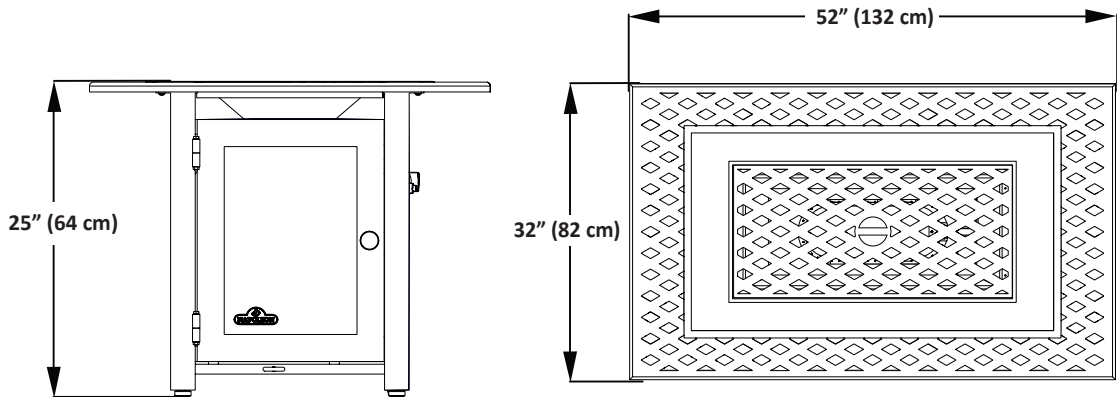


WARNING! This appliance is designed for non-combustible enclosures only, and must be installed and serviced by a qualified installer to local codes.

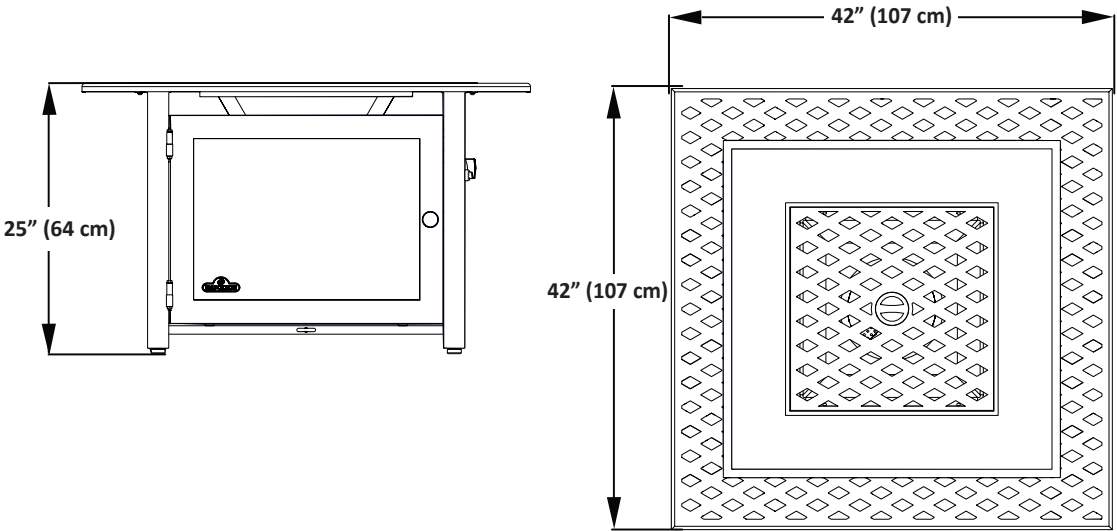
Specifications

DIMENSIONS

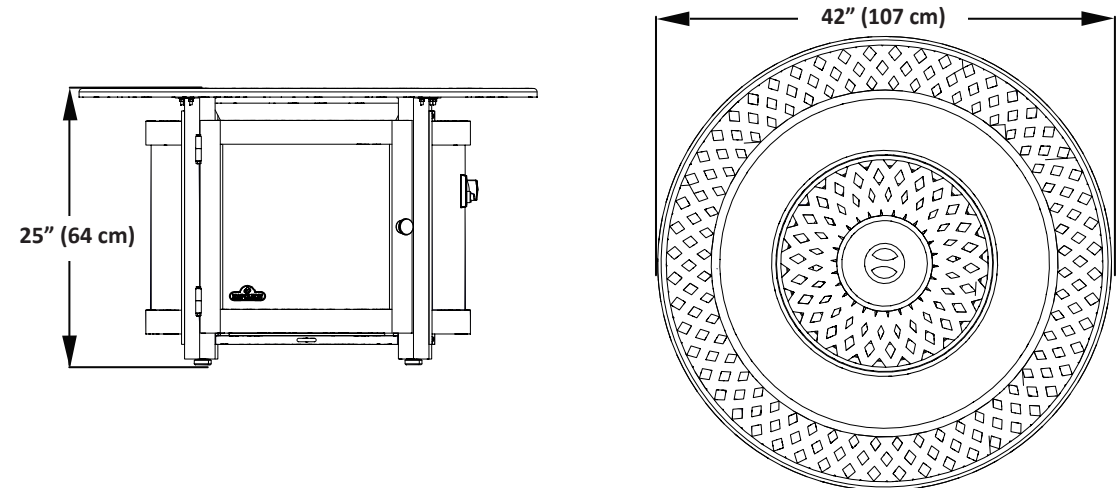
VICT1



VICT2



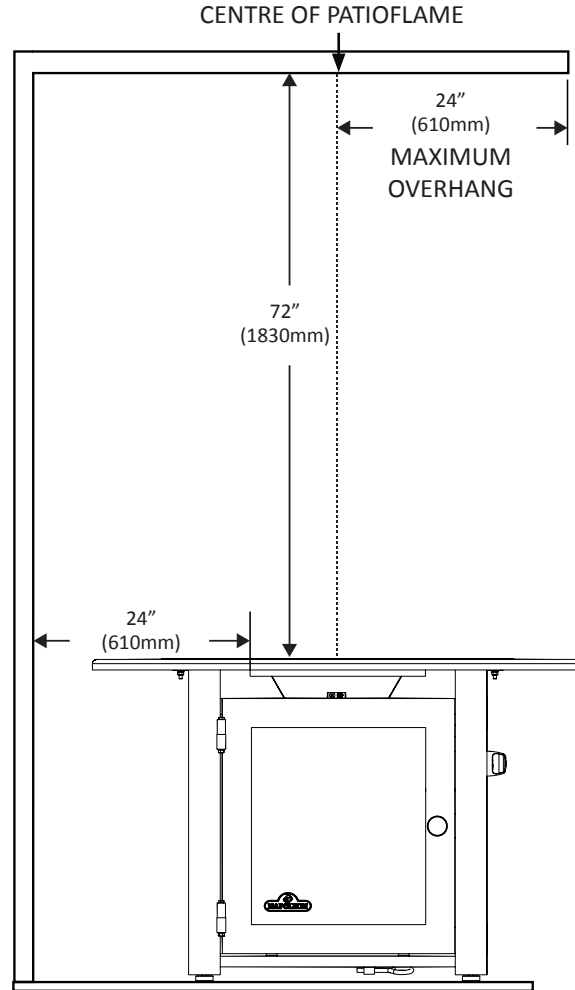
VICT3



INPUT		
MODEL	FUEL	MAX. INPUT Btu/Hr
VICT1 VICT2	Natural Gas	40,000
VICT1 VICT2	Propane Gas	40,000
VICT3	Natural Gas	40,000
VICT3	Propane Gas	40,000

MINIMUM CLEARANCE TO COMBUSTIBLES		
	INCHES	MM
Side Walls	24	610
Top of unit to ceiling	72	1830

GAS INLET PRESSURES		
	NATURAL	PROPANE
Maximum Inlet Pressure	7.0" w.c.	11.0" w.c.



THE TABLE IS APPROVED FOR USE ON COMBUSTIBLE FLOORS.

Location

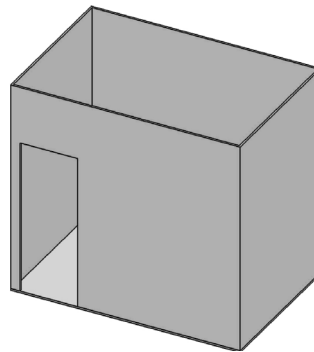
Locating Your Outdoor Appliance

It is important when selecting a location for your appliance to ensure clearances to adjacent combustibles are met. This appliance is intended for installation on an outdoor patio or in your yard. It is highly recommended that this appliance be installed in a sheltered area (following the guidelines outlined below). Direct wind will cause an erratic flame and possible pilot or main burner outage. An erratic flame could also lead to excessive carboning (black soot), this condition is not a safety issue but is visually undesirable.

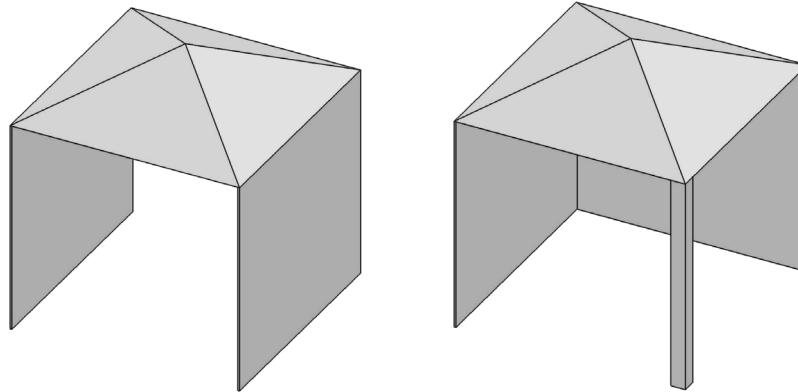
Note: When choosing a location for your appliance, care must be taken to avoid areas where excessive moisture or running water may be a problem.

Any enclosure (shelter) in which the appliance is used must comply with one of the following:

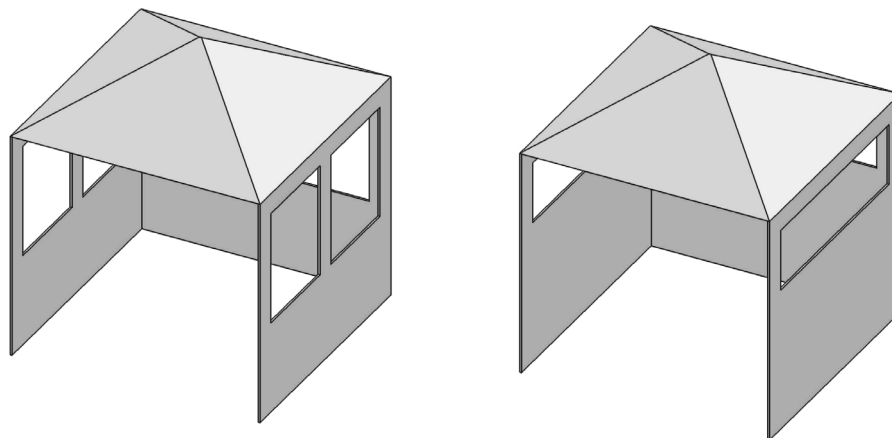
With walls on all sides, but at least one permanent opening at ground level and no overhead cover.



Within a partial enclosure which includes an overhead cover and no more than two sidewalls. These sidewalls may be parallel, as in a breezeway, or at right angles to each other.



Within a partial enclosure which includes an overhead cover and three sidewalls, as long as 30 percent or more of the horizontal periphery of the enclosure is permanently open.





Gas Hook-Up Instructions

WARNING! If these instructions are not followed exactly, a fire causing death or serious injury may occur.

Propane Cylinder Specifications

A dented or rusty cylinder may be hazardous and should be checked by your propane supplier. Never use a cylinder with a damaged valve. The LP-gas supply cylinder must be constructed and marked in accordance with the U.S. D.O.T. Specifications for LP-Gas Cylinders or the Standard for Cylinders, Spheres and Tubes for Transportation of Dangerous Good and Commission, CAN/CSA-B339, as applicable.

This appliance has been designed for use with a 20 lb. (9.1 kg) or 30 lb (13.6 kg) size propane cylinder only (not supplied).

The LP-gas supply cylinder must be provided with a cylinder-connection device compatible with the connection for the appliance. The propane cylinder must be provided with a shut-off valve terminating in a propane cylinder valve type QCC1, and a safety relief device having direct communication with the vapor space of the cylinder. The cylinder supply system must be arranged for vapor withdrawal and the cylinder shall include a collar to protect the cylinder valve. The LP-gas cylinder must be provided with a listed overfill protection device (OPD). Do not store a spare LP-gas cylinder under or near this appliance. Never fill the cylinder beyond 80 percent full.

Use only the pressure regulator and hose assembly provided with this appliance. Replacement pressure regulators and hose assemblies must be specified by the manufacturer. The regulator supplies a pressure of 11 inches. water column to the appliance and has a QCC1 type fitting. Cylinders to be used with this unit must be supplied with a QCC1 cylinder valve. A QCC1 cylinder has a positive seating connection, which will not allow gas flow until a positive seal has been achieved. It is also equipped with an excess flow device. In order to attain full flow to the appliance, the valve must be in the off position when the cylinder valve is turned on.



WARNING! A fire will result if the gas supply hose makes contact with the underside of the appliance.

LP (Propane) Gas Cylinder Mounting

Attach cylinder retaining bracket to the base of the cylinder. Then secure to the surface to which it sits. Cylinder should be on a level surface.

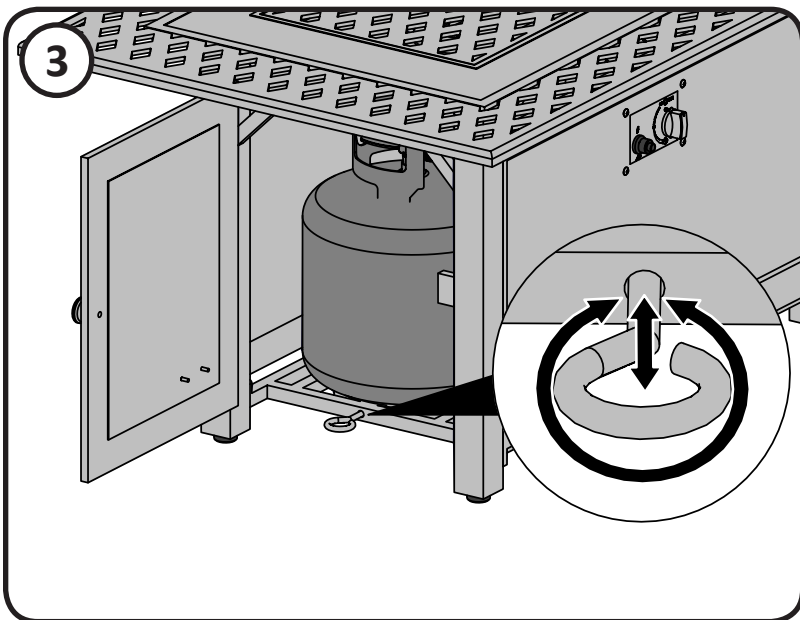
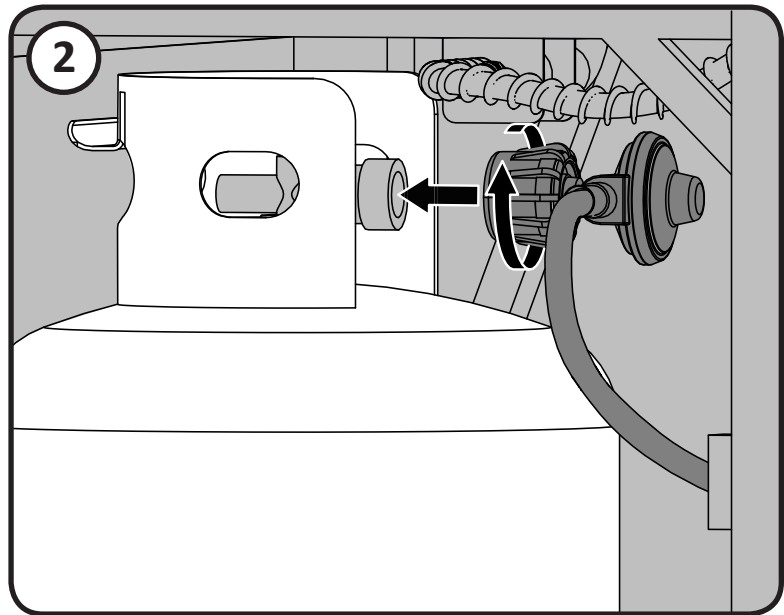
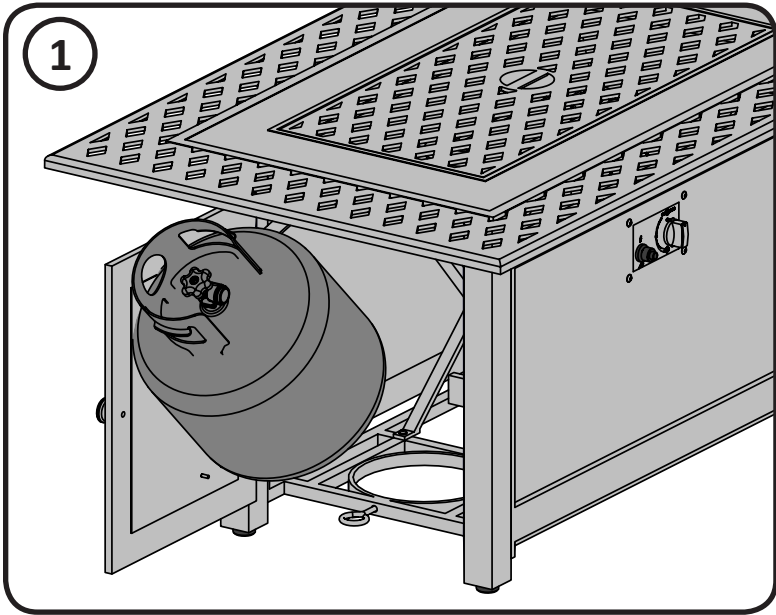
Cylinder Connection: Ensure the gas regulator hose is kink free. Remove the cap or plug from the cylinder fuel valve. Insert the black QCC1 regulator nipple onto the QCC1 fuel valve. Hand tighten clockwise. Do not use tools. Leak test all joints prior to using the appliance. A leak test must be performed annually and each time a cylinder is hooked up or if a part of the gas system is replaced.

If this appliance is to be connected directly to a house propane gas supply line, follow the instructions for the natural gas hook-up.



CAUTION!

- Make sure cylinder valve is in its full off position. (Turn clockwise to stop).
- Check cylinder valve features to ensure it has proper external mating threads. (Cylinder Valve Marked: USE WITH TYPE 1)
- Inspect hose shipped with the unit for damage. Never attempt to use damaged or plugged equipment. See your local LP Gas Dealer for repairs.
- When connecting regulator assembly to the cylinder valve, hand tighten black QCC1 nut clockwise to a positive stop. DO NOT use a wrench to tighten. Use of a wrench may damage the quick closing coupling nut and result in a hazardous condition.
- Locate the hose out of pathways where people may trip over it or in areas where the hose may be subject to accidental damage.
- Open cylinder valve fully (counter-clockwise). Turn the on/off valve at the unit slowly to the on position and use a soapy water solution to check all connections for leaks as indicated in the diagrams before attempting to light the appliance. If a leak is found, turn tank valve off and do not use the appliance until repairs can be made.





Conversion to Natural Gas

WARNING! To avoid the possibility of burns conversions should only be done when the patio flame is . Ensure burner is turned off. Turn gas off at source and disconnect the patio flame before beginning conversion.



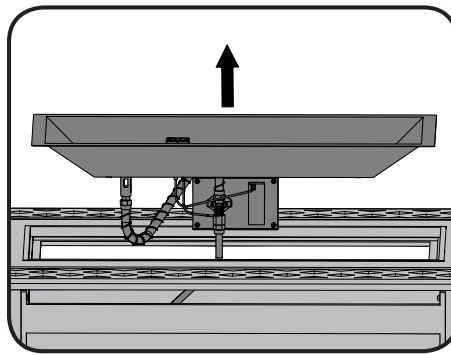
WARNING! Glass embers may have sharp edges wear safety glasses and gloves when handling.



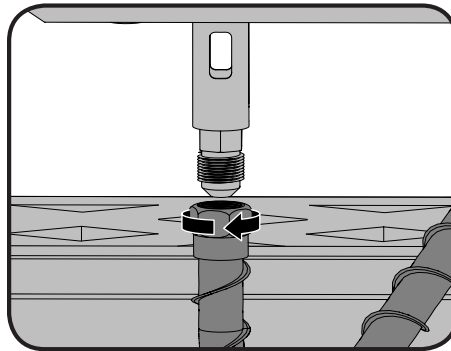
WARNING! This conversion must be performed by a licensed gas fitter, and all connections must be leak tested before operating the patio flame.

Your patio flame can be easily converted to natural gas by following these steps:

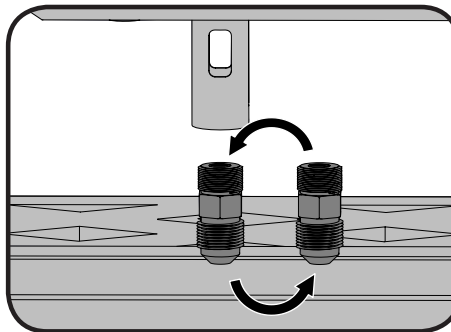
1. Remove the glass embers from the burner.
2. Remove the burner from the enclosure. Take care not to damage or kink the thermocouple wire.



3. Disconnect the stainless steel flex connector from the orifice using (2) wrenches.



4. Unscrew the propane orifice from the inside of the burner as illustrated.



5. Replace the propane orifice with the natural gas orifice supplied.

Note: The air shutter has been factory set and does not need to be adjusted.

6. Reconnect the stainless steel flex connector to the orifice and tighten using (2) wrenches.
7. Place the burner back into the enclosure.
8. Fill out the conversion label included with your patio flame and apply it to the inside of the control panel access door.

A leak test must be performed according to the leak testing instructions found in the manual.

Natural Gas Hook-Up

The gas appliance is designed to operate at an inlet pressure of 7 inches water column. The piping up to the appliance is the responsibility of the installer. Connect the inlet valve to rigid pipe, copper tube or an approved flexible metal connector, which complies with Z21.4/CSA 6.10. If using a gas hose (not supplied) connect the flared end of the hose to the connector on the end of the inlet valve. Tighten using two wrenches. (Do not use thread sealer/pipe dope.) Leak test all joints prior to using the appliance. Piping and valves upstream of the quick disconnect are not supplied. The gas supply pipe must be sufficiently sized to supply the BTU/h specified on the rating plate, based on the length of the piping run. The quick disconnect must not be installed in an upward direction and a readily accessible manual shut-off valve must be installed upstream of, and as close to, the quick disconnect as is feasible.

Purge the gas supply line of any trapped air prior to the first firing of the unit.



WARNING!

- The installation must be performed by a licensed gas fitter, and all connections must be leak tested before operating the appliance.
- Ensure all hose connections are tightened using two wrenches. Do not use Teflon tape or pipe dope on any hose connection.
- Ensure the hose does not contact any high temperature surfaces or it may melt and leak causing a fire.
- Locate the hose out of pathways where people may trip over it or in areas where the hose may be subject to accidental damage.
- Leak test all the connections using a soap and water solution as per the leak testing instructions found in the manual.



Finishing

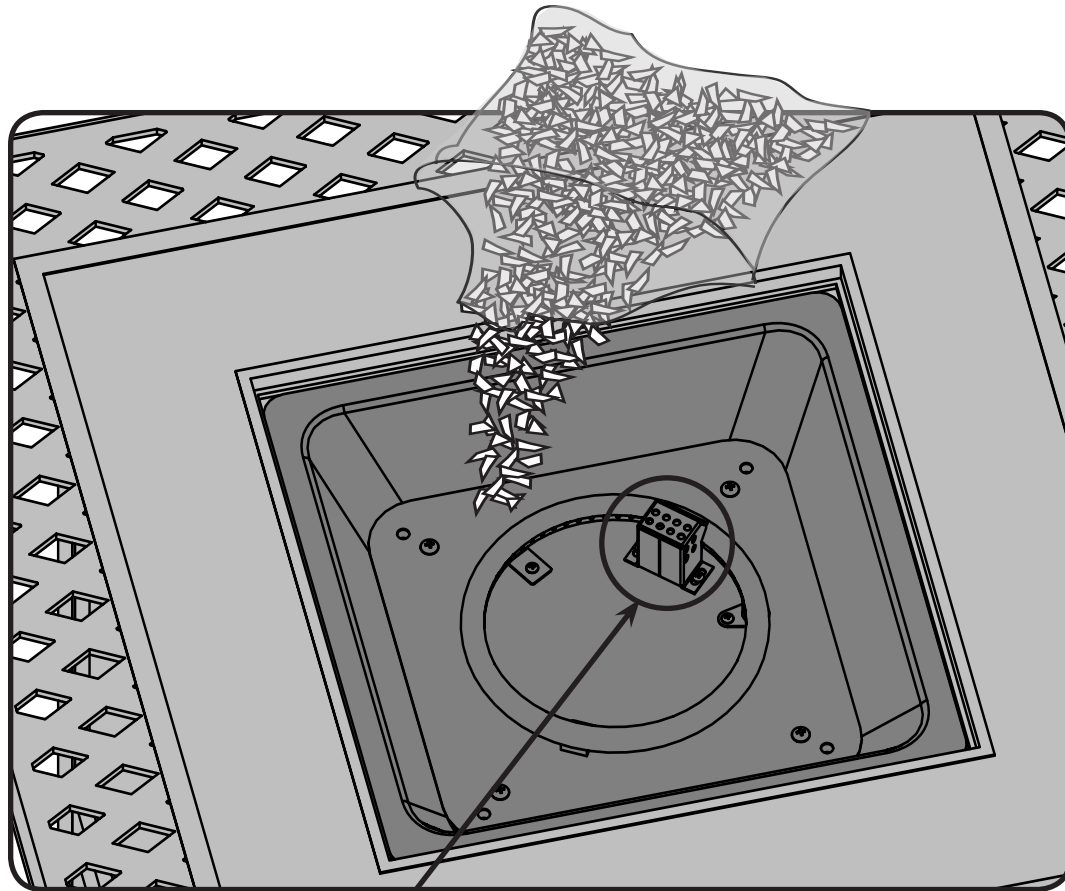
Glass Ember Installation

WARNING! Do not use the patio flame without the glass embers in place.

WARNING! Glass embers may have sharp edges, wear safety glasses and gloves when handling. Do not change or substitute the glass ember material provided with this appliance. If replacing, use only replacement glass embers available from your local authorized dealer / distributor.

WARNING! Glass embers may have a fine oil residue that needs to be cleaned prior to installation. Clean the glass with mild dish soap, drain, rinse thoroughly and dry before installing.

1. Carefully pour the glass embers onto the appliance ember tray as shown.
2. Spread the glass embers over the tray and burner. The distribution of clear glass over the burner will influence flame height.
3. The glass embers must cover the entire burner tray while ensuring no glass is placed on the ignition portion of the burner as illustrated below.



ENSURE NO GLASS IS BLOCKING ANY OF THE OPEN PORTS ON THE IGNITION PORTION OF THE BURNER, DIFFICULTIES IN LIGHTING MAY RESULT.

Leak Testing Instructions



WARNING! A leak test must be performed annually, or if a part of the gas system is replaced.



WARNING! Never use an open flame to check for gas leaks. Be certain no sparks or open flames are in the area while you check for leaks. Sparks or open flames will result in a fire or explosion, damage to property, serious bodily injury, or death.



Leak testing: This must be done before initial use, annually, and whenever any gas components are replaced or serviced. Do not smoke while performing this test, and remove all sources of ignition. See Leak Testing Diagram for areas to check. Turn all burner controls to the off position. Turn gas supply valve on.



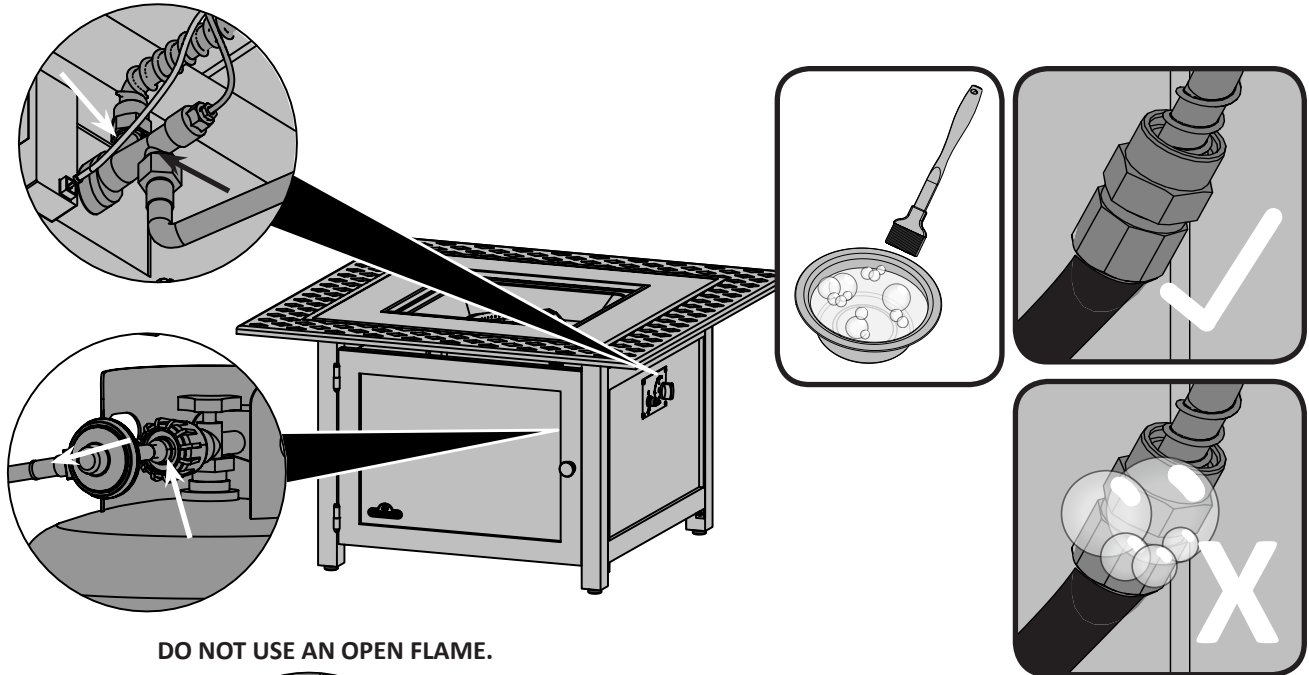
Brush a half-and-half solution of liquid soap and water onto all joints and connections of the regulator, hose, manifolds and valves.

Bubbles will indicate a gas leak. Either tighten the loose joint or have the part replaced with one recommended by the Napoleon Customer Solutions department and have the appliance inspected by a certified gas installer.

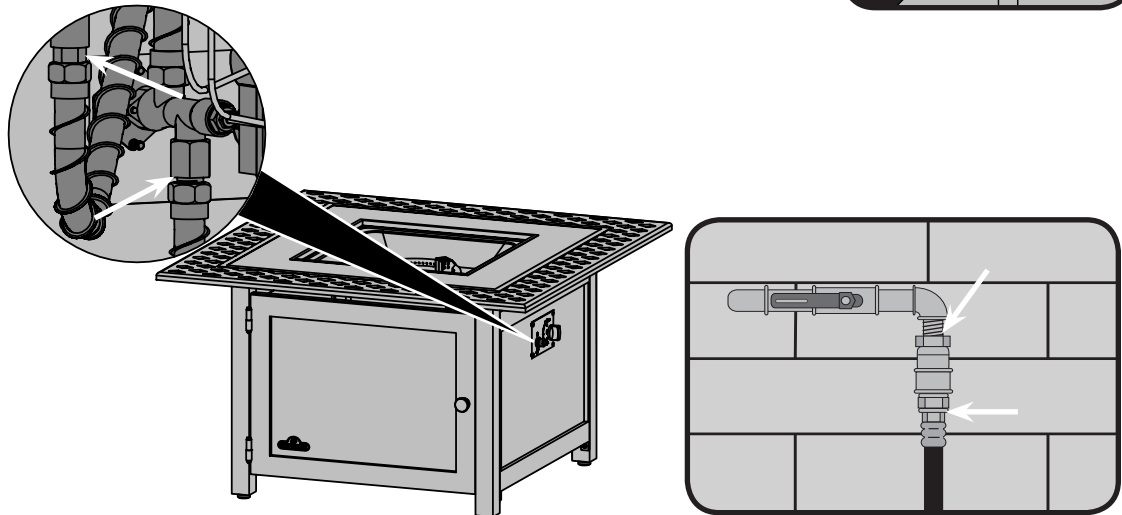


If the leak cannot be stopped, **immediately shut off the gas supply**, disconnect it, and have the grill inspected by a certified gas installer or dealer. Do not use the appliance until the leak has been corrected.

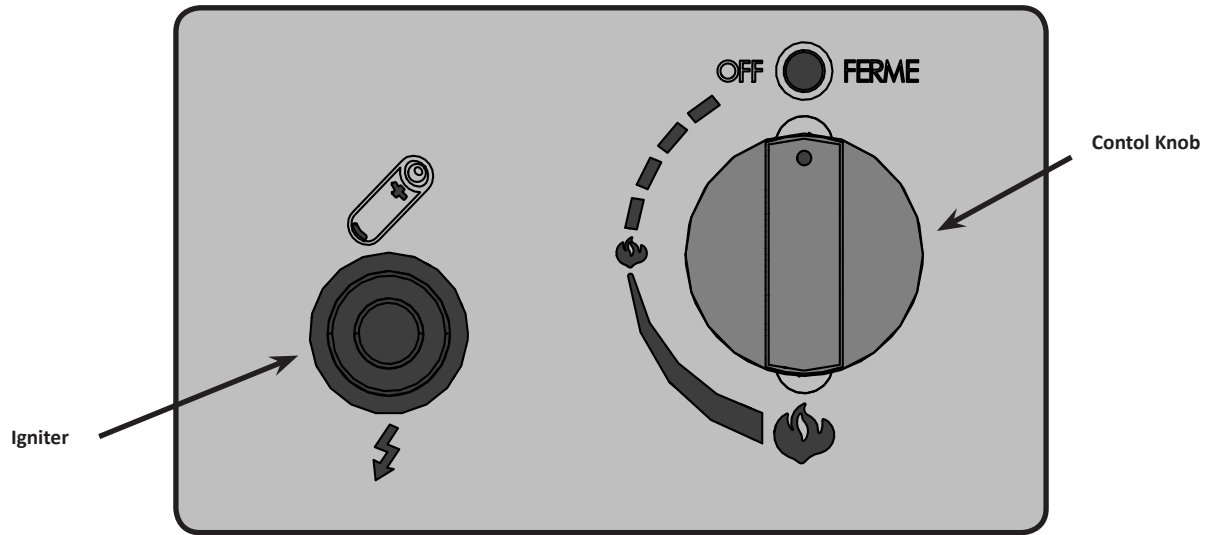
DO NOT USE AN OPEN FLAME.



DO NOT USE AN OPEN FLAME.



Lighting Instructions



WARNING! Keep face and body away from burner area when lighting.

WARNING! Ensure burner controls are in the off position. Slowly turn on the gas supply valve.

1. Press and hold electronic igniter button (⚡).

2. Turn the burner control to the high position, press and hold in. When the burner lights, release the electronic igniter button.

3. Continue to depress the burner control knob for 30 seconds and then release. If the flame goes out, repeat the procedure.

4. Adjust the flame to the desired height with the burner control knob.

5. If the burner will not light with the electronic igniter, hold a lit long match or lit long butane lighter to the ignition area of the burner and continue with step 2.

6. To shut down the burner turn the burner control knob clockwise to the off position. Then turn the gas off at the source (propane cylinder valve or natural gas supply valve).



WARNING! The propane cylinder is equipped with an excess flow device. Unless burners are turned off prior to turning the cylinder on, only small flames and low heat will be achievable.

WARNING! If the burner does not light within 10 seconds, turn the valve off and wait 5 minutes for any gas to dissipate before repeating the procedure.

Operating The Patio Flame



WARNING! Never use this appliance for other than the intended use. Do not use this appliance to prepare food.



WARNING! You must have clear and easy access to the on/off valve AFTER the appliance is installed and connected to the gas supply in order to safely turn off the burner.

Initial Lighting: When lit for the first time, the appliance emits a slight odor. This is a normal temporary condition caused by the “burn-in” of internal paints and lubricants used in the manufacturing process and does not occur again. Simply run the main burner on high for approximately one-half hour.



WARNING!

- Children and adults should be alerted to the hazards of high surface temperatures and should stay away from the appliance to avoid burns or clothing ignition.
- Children should be carefully supervised when they are in the area of the appliance.
- Clothing or other flammable materials should not be hung from the appliance, or placed on or near the appliance. The area above the enclosure may be extremely hot. Direct contact with these surfaces should be avoided in order to prevent burns or clothing ignition.
- Any guard or protective device removed for servicing the appliance must be replaced prior to operating the appliance.
- Installation and repair should be done by a qualified service person.
- The appliance should be inspected before each use and at least annually by a qualified service person. More frequent cleaning may be required as necessary. It is imperative that the control compartment, burners and circulating air passageways of the appliance be kept clean.



WARNING!

- Never use the appliance while it is raining.
- Always turn the appliance off when raining.
- Never splash any liquid on the glass / glass embers when the appliance is operating.
- The glass / glass embers will be extremely hot while operating, never try to touch them.
- Always ensure the appliance stands firmly on level ground.
- Never use the appliance if the burner is damaged. Inspect the burner before each use. Ensure that no debris such as leaves; grass or other objects have entered or are on the appliance. If the burner is damaged it must be replaced prior to using the appliance with a replacement burner specified by your Napoleon dealer.
- Inspect the hose assembly before each use. If there is evidence of excessive abrasion or wear, or if the hose is damaged it must be replaced prior to using the appliance with a replacement hose assembly specified by your Napoleon dealer.

NOTE! The appliance has been designed with several safety features, which include a safety valve. If the burner flame is extinguished the appliance will automatically shut down.



WARNING! Any modification to the appliance may compromise the safety of this appliance. Special concern is as follows.

- Do not bypass thermocouple safety.
- Do not operate the appliance if any part has been under water. Immediately call a qualified service technician to inspect the appliance and replace any part of the control system and any gas control, which has been underwater.



Maintenance / Cleaning Instructions

WARNING! Glass embers may have sharp edges, wear safety glasses and gloves when handling. Do not change or substitute the glass ember material provided with this appliance. If replacing, use only replacement glass embers available from your local authorized dealer / distributor.

WARNING! To avoid the possibility of burns, maintenance should be done only when the appliance is . Avoid unprotected contact with hot surfaces. Ensure burner is turned off. Turn gas off at source and disconnect the appliance before servicing. Clean the appliance in an area where cleaning solutions will not harm decks, lawns, or patios. Do not use flammable, corrosive or abrasive cleaners.

Note: Stainless steel tends to oxidize or stain in the presence of chlorides and sulfides, particularly in coastal areas and other harsh environments, such as the warm, highly humid atmosphere around pools and hot tubs. These stains could be perceived as rust, but can be easily removed or prevented. To provide stain prevention and removal, wash all stainless steel and chrome surfaces every 3-4 weeks or as often as required with fresh water and/or stainless steel cleaner.

Control Panel: The control panel text is printed directly on the stainless steel and with proper maintenance will remain dark and legible. To clean the panel, use only warm soapy water or stainless steel cleaner available from your Napoleon dealer. Never apply abrasive cleaners on any stainless surfaces, especially the printed portion of the control panel or the printing will gradually rub off.

WARNING! Hose: Check for abrasions, melting, cuts, and cracks in the hose. If any of these conditions exist, do not use the appliance. Have the part replaced by your Napoleon dealer or qualified gas installer.

Cleaning Inside The Appliance: While washing your appliance, be sure to keep the area around the burner and pilot assembly dry at all times.

WARNING! If the gas control is exposed to water in any way, DO NOT try to use the appliance. The gas control must be replaced.

Burner: The burner is made from stainless steel, but extreme heat and a corrosive environment can cause surface corrosion to occur. This can be removed with a brass wire brush. Inspect the burner at least annually for cracks, insect nests, excessive corrosion or any other damage. If the burner is damaged, it must be replaced with a burner specified by the manufacturer before the appliance is put into operation.

CAUTION! Beware of Spiders.

Spiders and insects are attracted to the smell of propane and natural gas. The burner is equipped with an insect screen on the air shutter, which reduces the likelihood of insects building nests inside the burner but does not entirely eliminate the problem. A nest or web can cause the burner to burn with a soft yellow or orange flame or cause a fire (flashback) at the air shutter underneath the control panel. Other warning signs that may indicate a problem are:

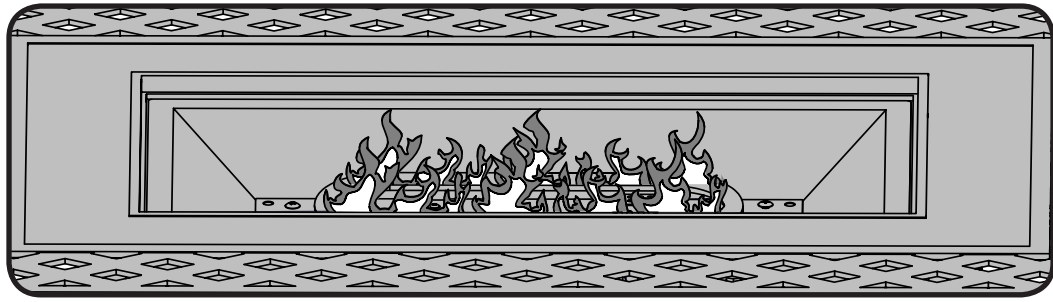
- Strong or unusual odor coming from the appliance.
- Continued difficulty or delayed ignition.
- Flame appears either very short or very long.
- Flame only burns part way across the burner.
- Excessive soot building up on the glass embers.

To clean the inside of the burner, it must be removed from the appliance: Remove the glass embers and examine the burner. If dirty, clean with a wire brush.

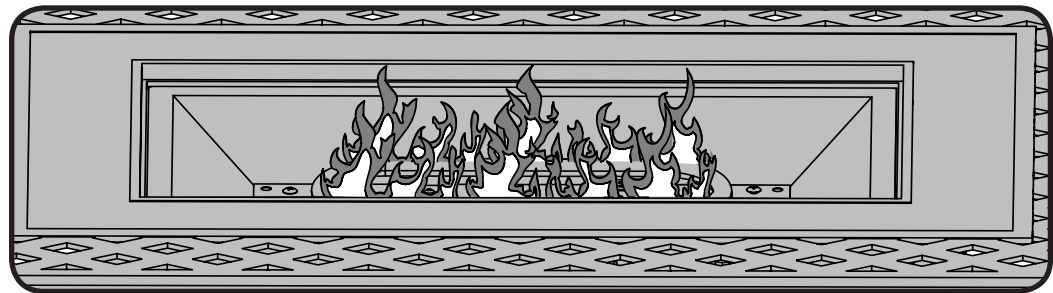
Cleaning: Use a flexible venturi tube brush to clean the inside of the burner. Shake any loose debris from the burner through the gas inlet. Check the burner ports and valve orifices for blockages. Burner ports can close over time due to debris and corrosion; use an opened paperclip or a drill bit to clean them. The ports are easier to clean if the burner is removed from the appliance, but it can also be done with the burner installed.

Reinstallation: Reverse the procedure to reinstall the burner. Check that the valve enters the burner when installing. Replace the glass embers. When the appliance is put back in service, check the burner flame pattern with the image below.

NORMAL



ABNORMAL



Cleaning The Outer Appliance Surface: Do not use abrasive cleaners or steel wool on any painted, or stainless steel parts of your Napoleon Appliance. Doing so will scratch the finish. Exterior surfaces should be cleaned with warm soapy water. To clean stainless surfaces, use a stainless steel or a non-abrasive cleaner. Always wipe in the direction of the grain. Over time, stainless steel parts discolor when heated, usually to a golden or brown hue. This discoloration is normal and does not affect the performance of the appliance



WARNING! The appliance area must be clear and free from combustible materials, gasoline and other flammable vapors and liquids. Do not obstruct the flow of combustion and ventilation air. Keep the ventilation opening of the cylinder enclosure free and clear of debris.

Troubleshooting

Problem	Possible Causes	Solution
Low heat / Low flame when valve turned to high.	For propane - improper lighting procedure. For natural gas - undersized supply line.	Ensure lighting procedure is followed carefully. The valve must be in the off position when the tank valve is turned on. Turn tank on slowly to allow pressure to equalize. See lighting instructions. Pipe must be sized according to installation code.
Burners burn with yellow flame, accompanied by the smell of gas.	Possible spider web or other debris.	Thoroughly clean burner venturi. See general maintenance instructions.
Burner will not light with the igniter, but will light with a match.	Dead battery / or installed incorrectly. Loose electrode wire or switch terminal wires. Improper gap at electrode tip.	Replace with heavy duty battery. Check that electrode wire is firmly pushed onto the terminal on the back of the igniter. Check that the lead wires from the module to the ignition switch (if equipped) are firmly pushed onto their respective terminals. The gap can be adjusted by bending the tip in or out. Until a spark is achieved.
Burner will not stay lit when control knob is released.	Knob not being held in long enough. Too windy. Glass or debris in ignition area of the burner preventing thermocouple from being fully engulfed in flame. Dirty thermocouple or thermocouple connection. Faulty thermocouple or valve.	Thermocouple must have time to heat up – hold the knob in for 30 seconds after the burner lights, then release Unit will shut down if winds are greater than 10mph (16km/h). Either locate to different area or use when it is less windy. Ensure there is no glass or other debris in ignition area, and that the small hole below the thermocouple is unobstructed. Clean the thermocouple and clean the connection between the valve and thermocouple. Ensure the connection is properly tightened. Replace thermocouple and / or valve.
Humming regulator.	Normal occurrence on hot days.	This is not a defect. It is caused by internal vibrations in the regulator and does not affect the performance or safety of the gas heater. Humming regulators will not be replaced.
Burner output on “high” setting is too low. (Rumbling noise and fluttering blue flame at burner surface.)	Lack of gas. Supply hose is pinched. Dirty or clogged orifice. Spider webs or other matter in venturi tube. Propane regulator in “low flow” state.	Check gas level in propane cylinder. Reposition supply hose as necessary. Clean burner orifice. Clean out venturi tube. Ensure lighting procedure is followed carefully. All valves must be in the off position when the tank valve is turned on. Turn tank on slowly to allow pressure to equalize. See lighting instructions.

KEEP YOUR RECEIPT AS PROOF OF PURCHASE TO VALIDATE YOUR WARRANTY.

Ordering Replacement Parts

Warranty Information

MODEL: _____

DATE OF PURCHASE: _____

SERIAL NUMBER: _____

(Record information here for easy reference)

For replacement parts and warranty claims, contact the Napoleon dealer where the product was purchased.

Before contacting the dealer, check the Napoleon Grills Website for more extensive cleaning, maintenance, troubleshooting and parts replacement instructions at www.napoleongrills.com.

To process a claim, the following information is required:

1. Model and serial number of the unit.
2. Part number and description.
3. A concise description of the problem ('broken' is not sufficient).
4. Proof of purchase (photocopy of the invoice).

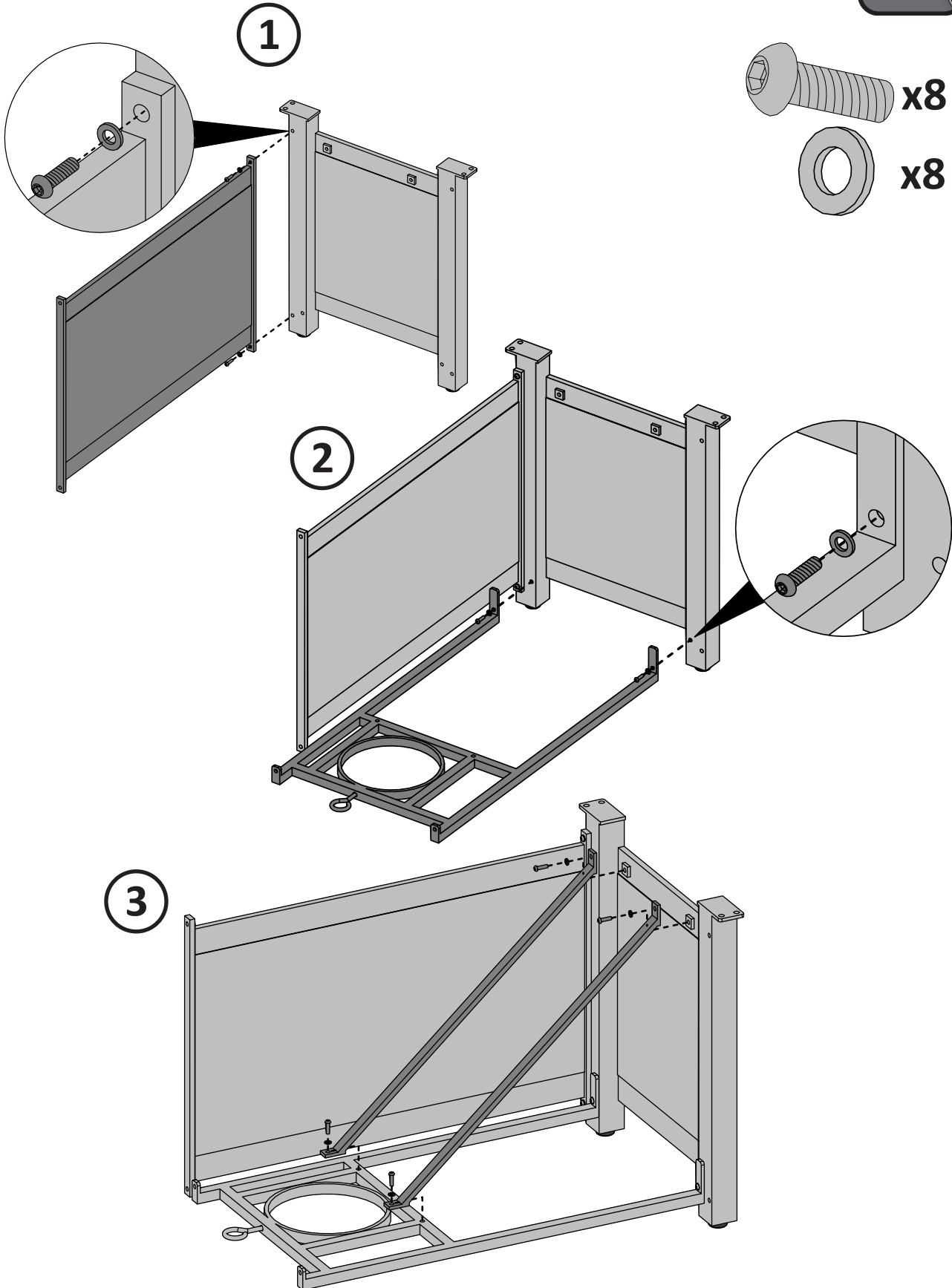
In some cases, Napoleon could request to have the parts returned to the factory for inspection before providing replacement parts.

Before contacting Napoleon dealer, please note that the following items are not covered by the warranty:

- Costs for transportation, brokerage or export duties.
- Labour costs for removal and reinstallation.
- Costs for service calls to diagnose problems.
- Discolouration of stainless steel parts.
- Part failure due to lack of cleaning and maintenance, or use of improper cleaners (oven cleaner or other harsh chemicals).

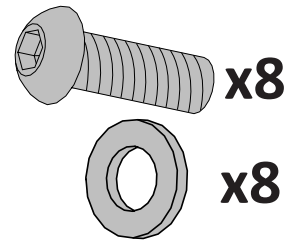
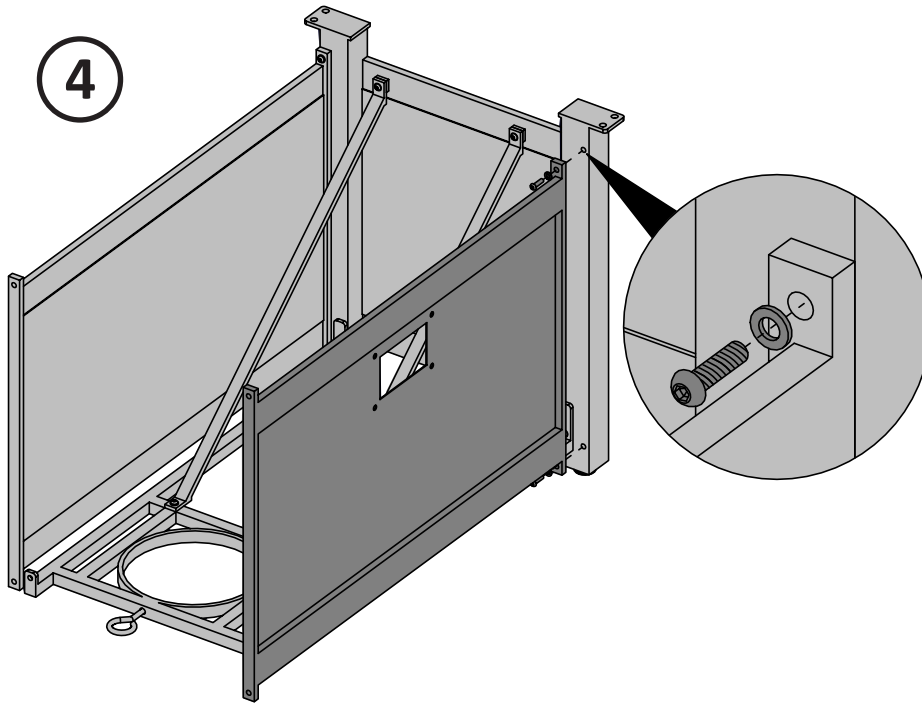
VICT1

EN

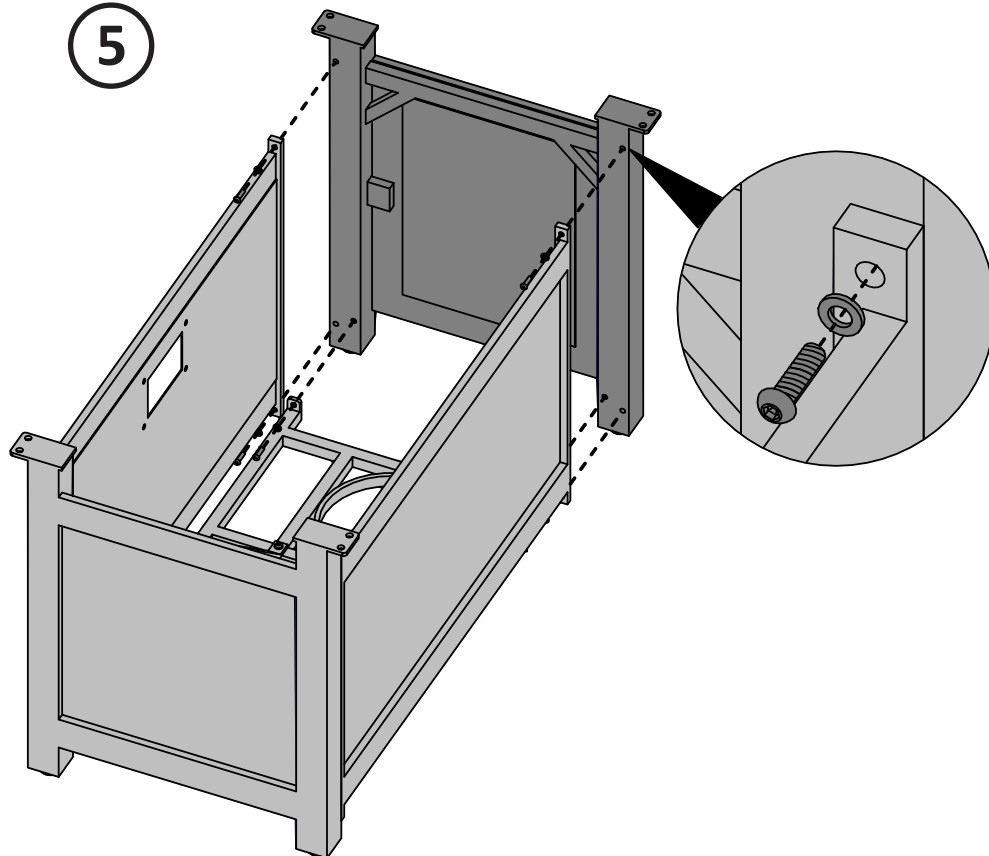




4



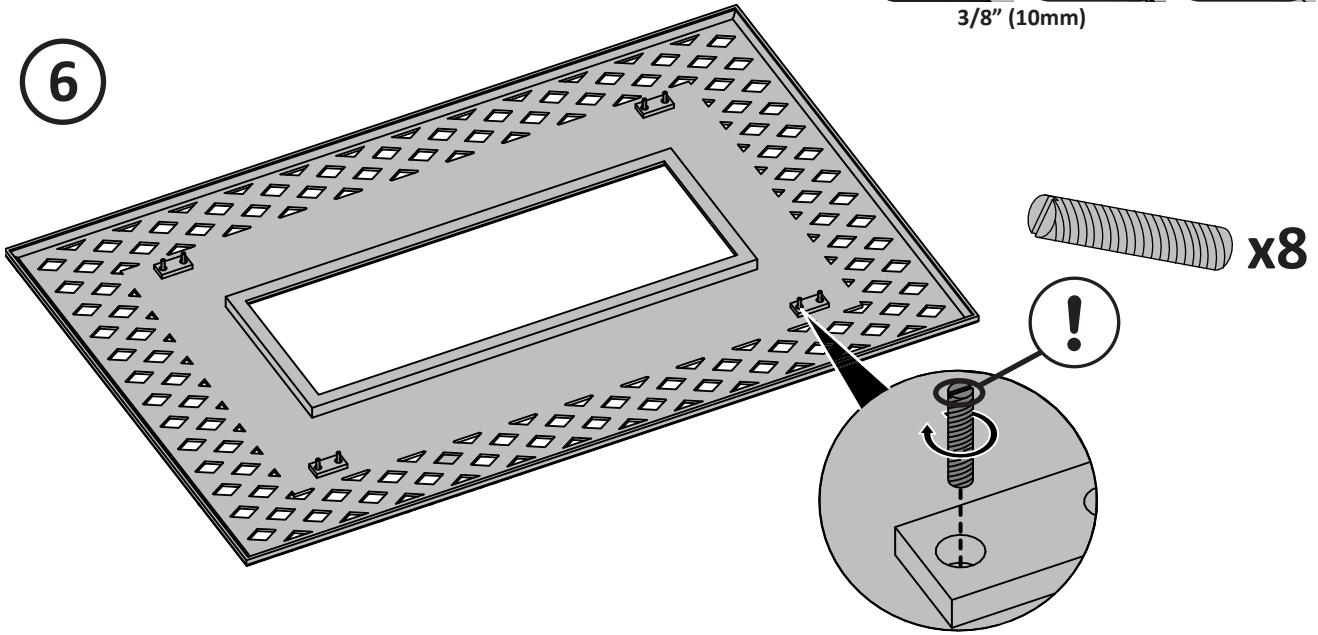
5



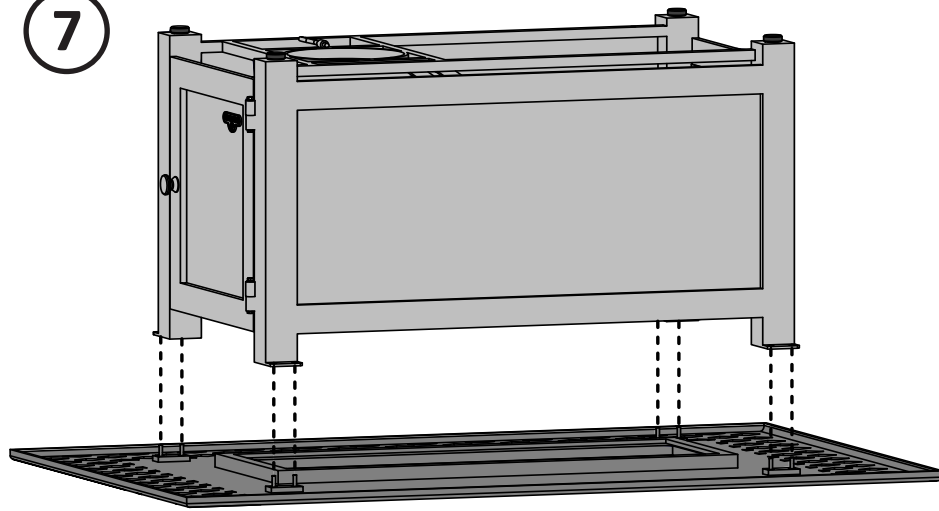


3/8" (10mm)

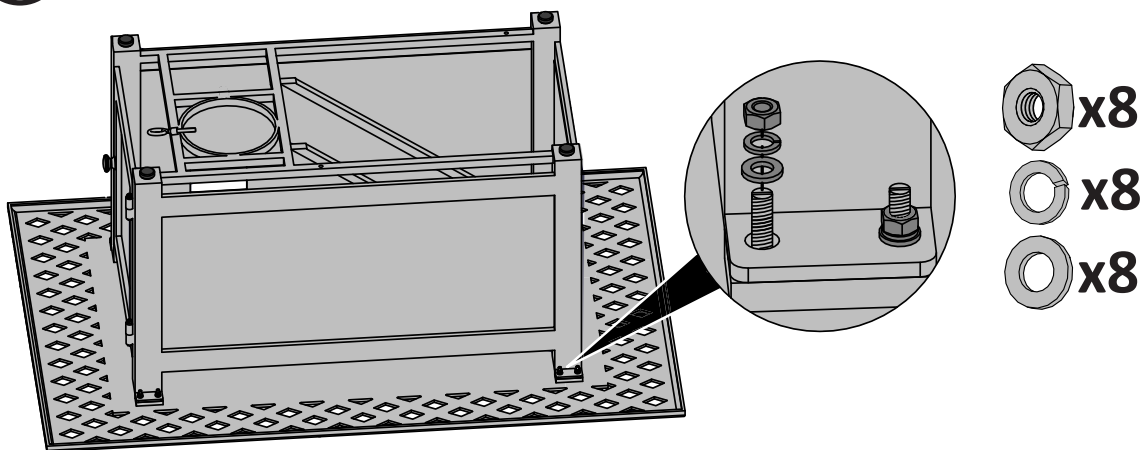
6

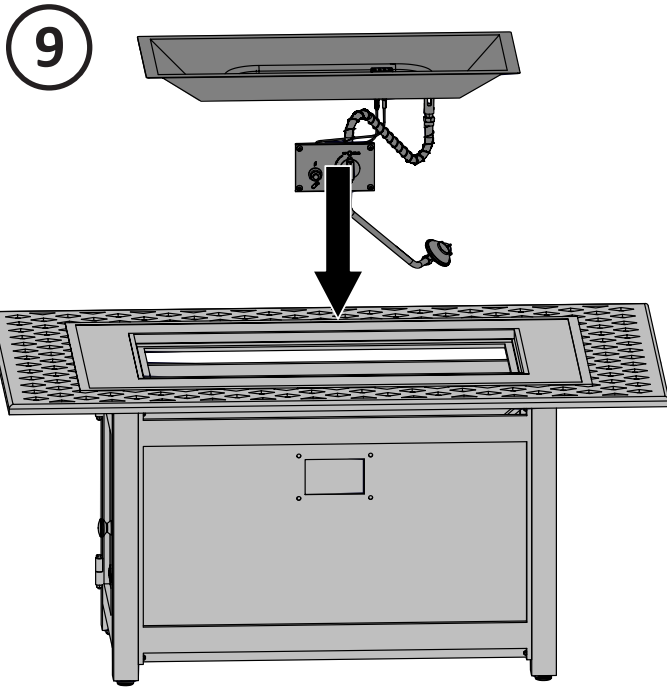


7



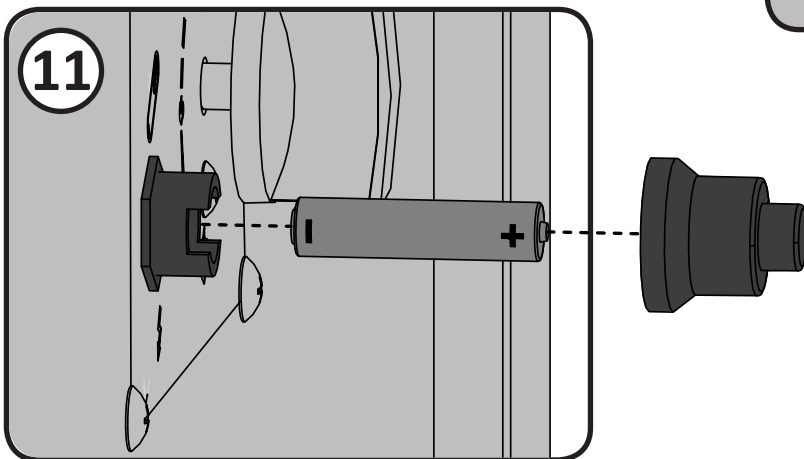
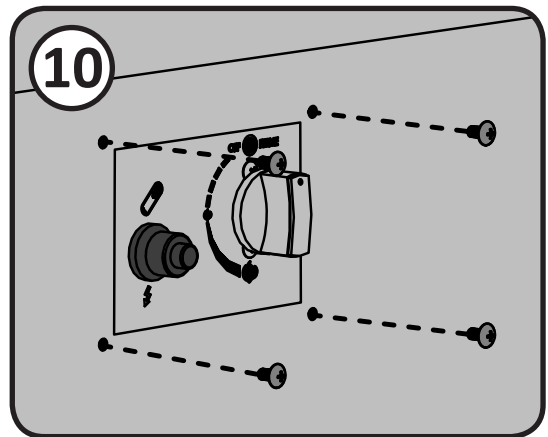
8

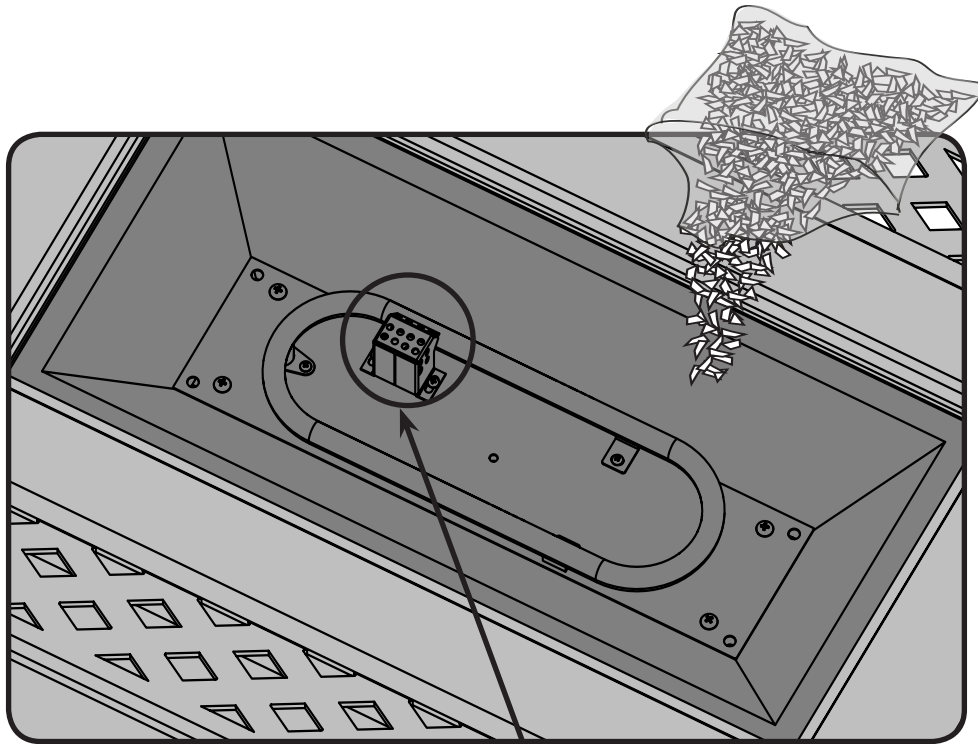




x4

N570-0094 (M5 x 10mm)

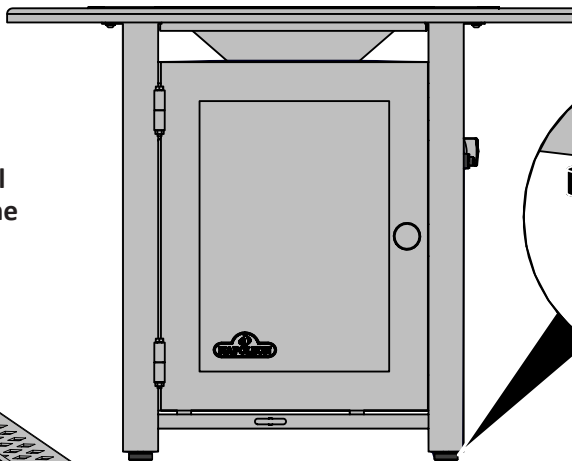
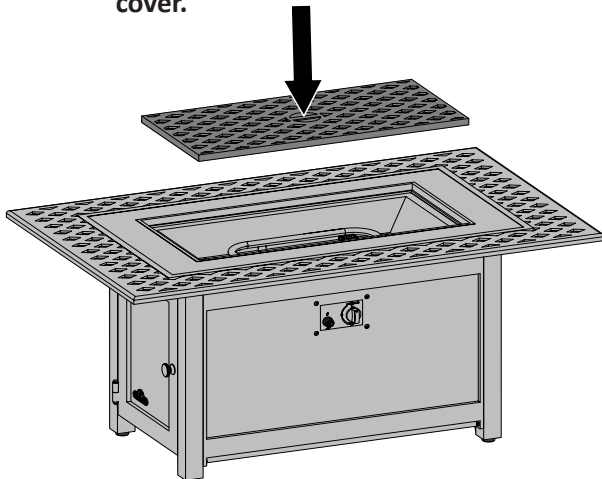




ENSURE NO GLASS IS BLOCKING ANY OF THE OPEN PORTS ON THE IGNITION PORTION OF THE BURNER, DIFFICULTIES IN LIGHTING MAY RESULT.



WARNING! The cover must be removed when the burner is in operation. After use, wait until the unit cools before installing the cover.

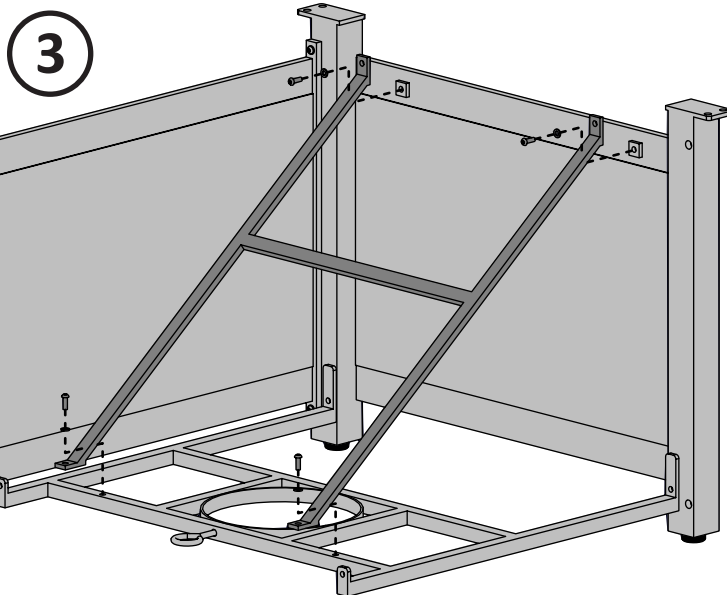
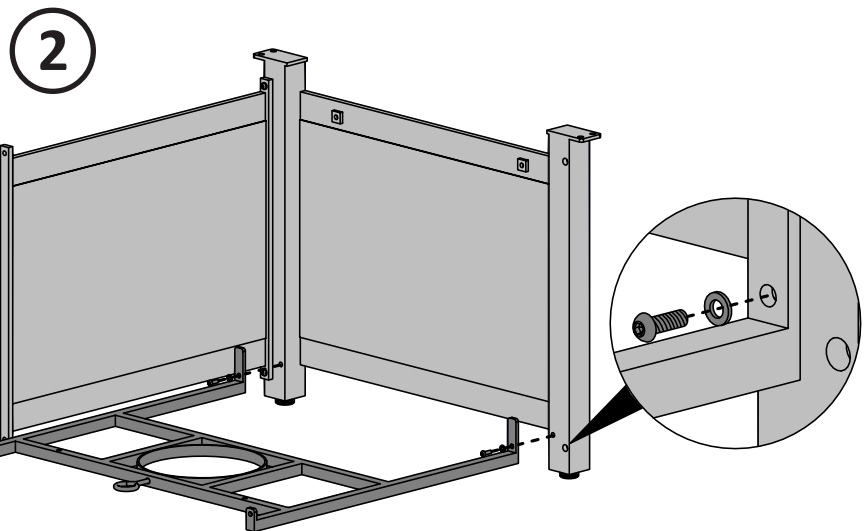
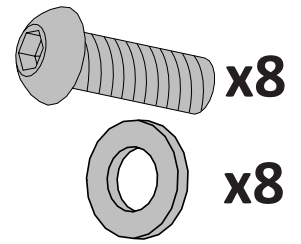
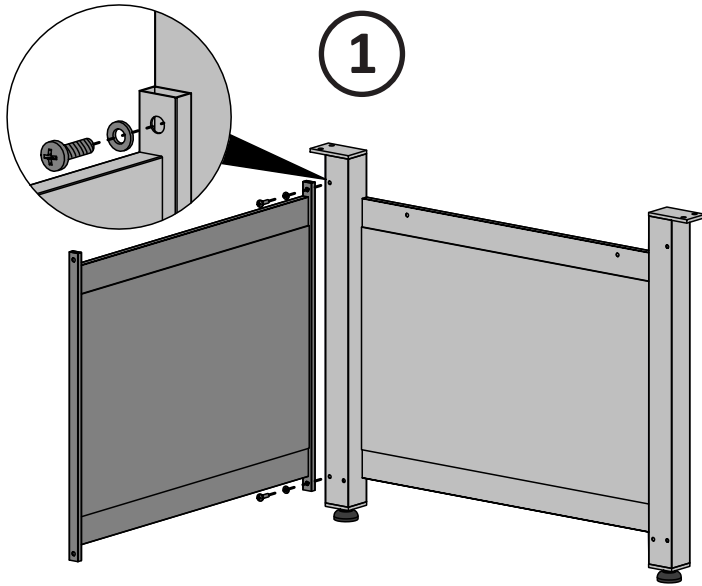


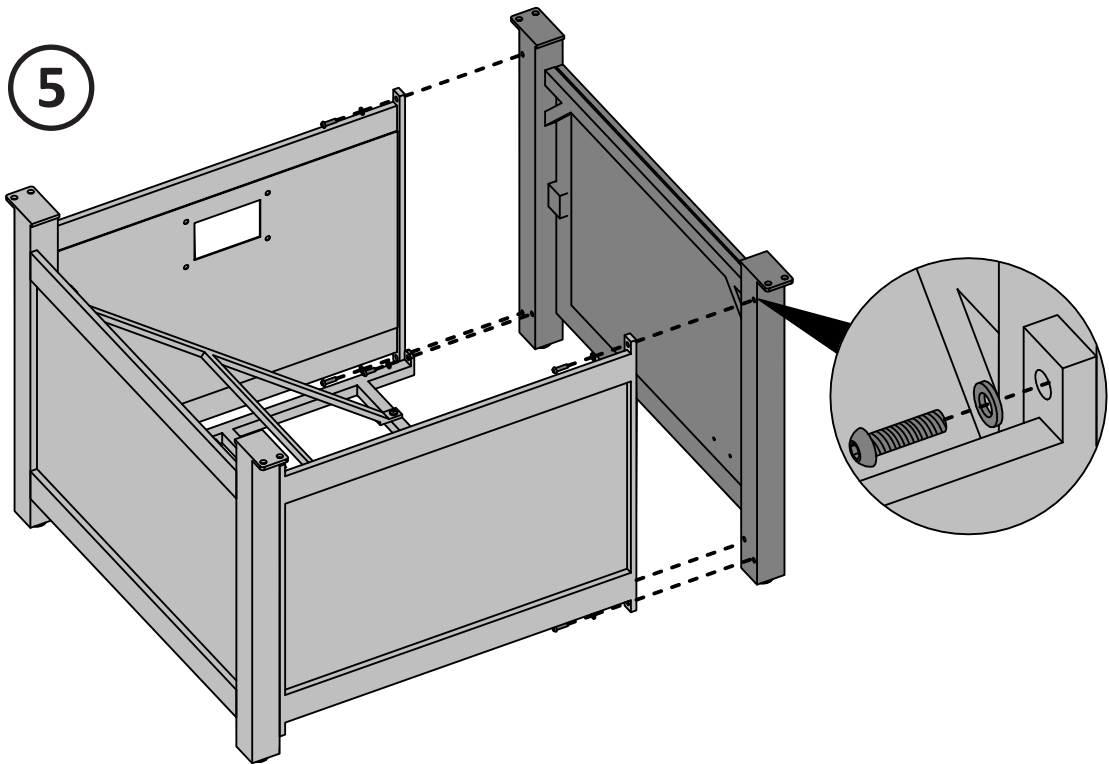
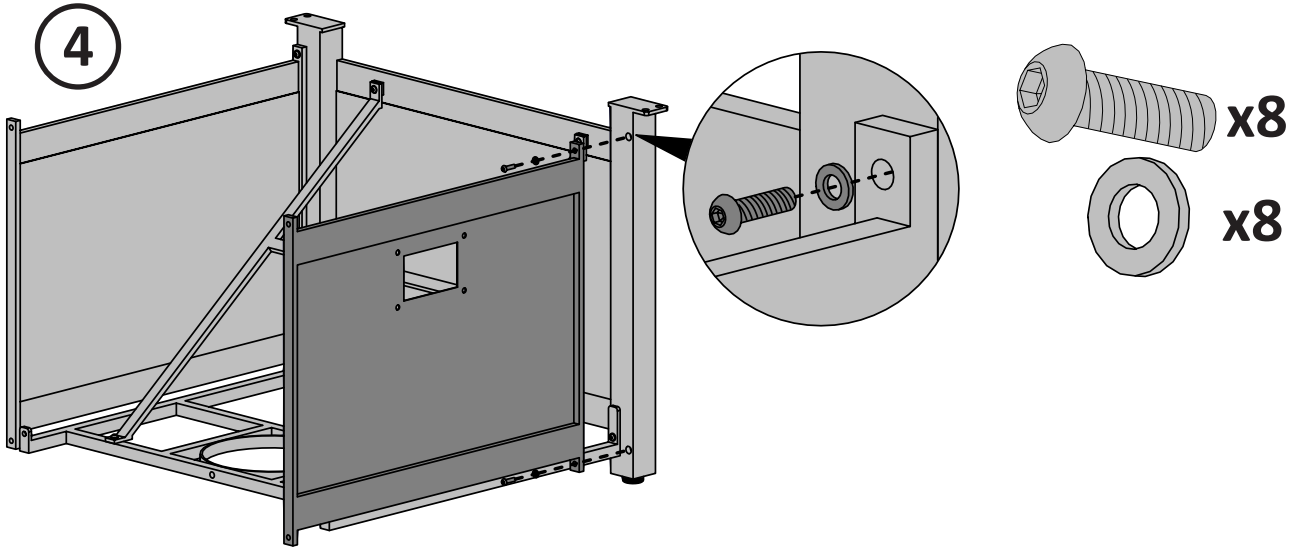
The table surfaces are hand painted. The variation in brush strokes enhances the natural beauty of the product.

VICT2



EN

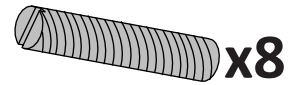
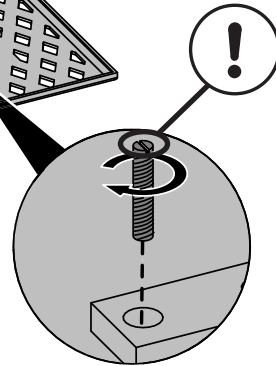
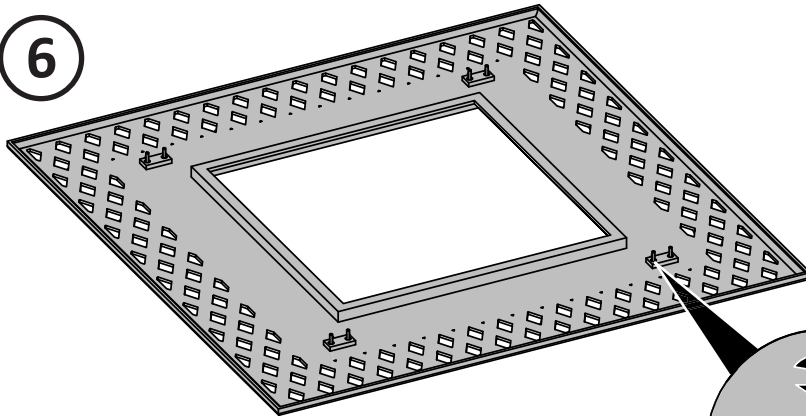




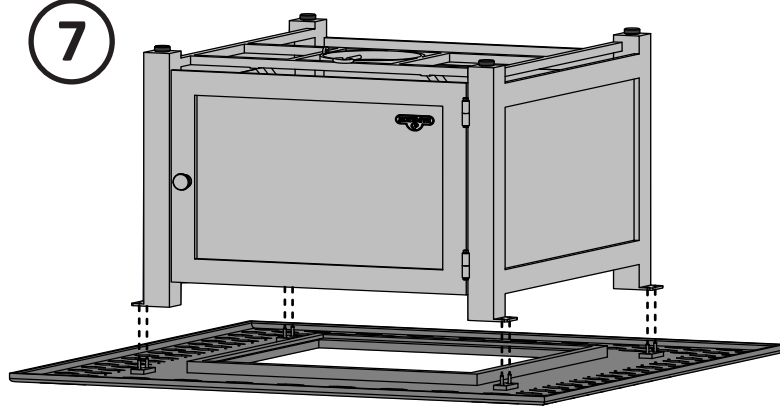


3/8" (10mm)

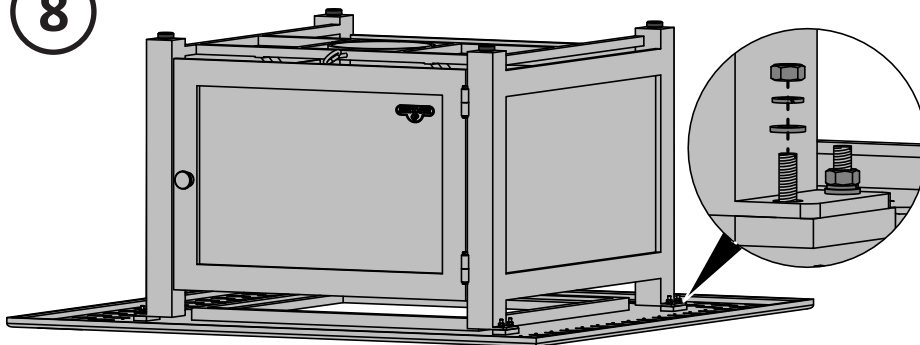
6



7

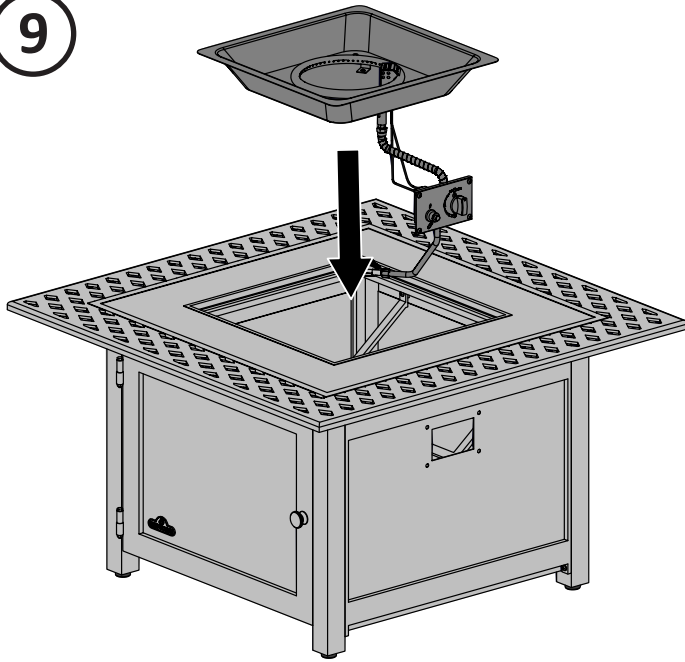


8

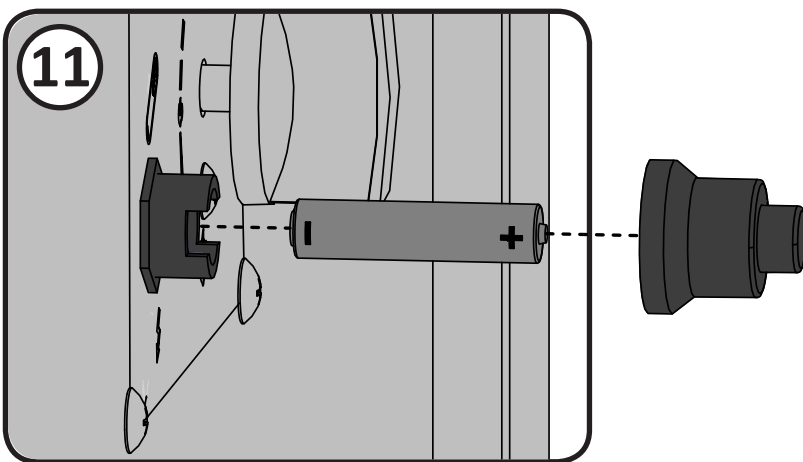
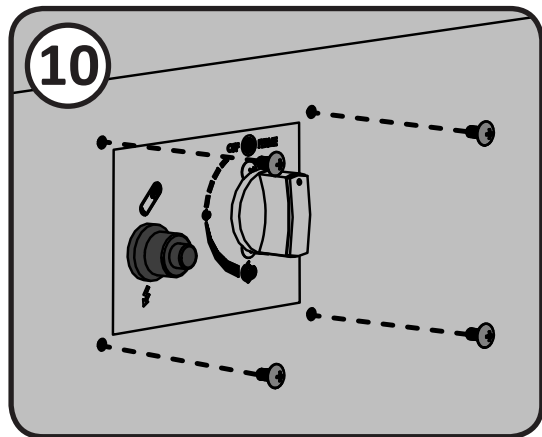


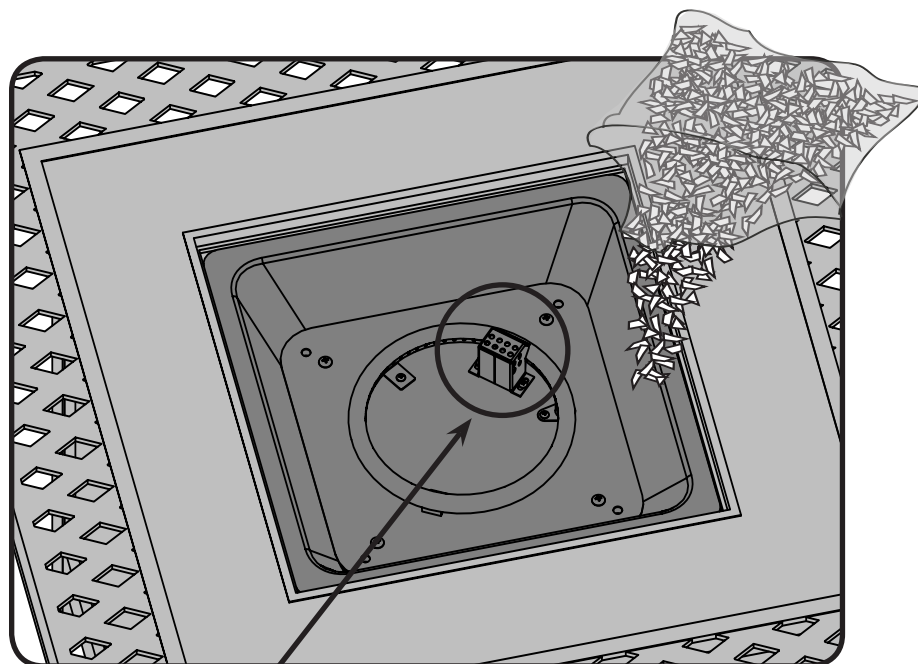


9



N570-0094 (M5 x 10mm)

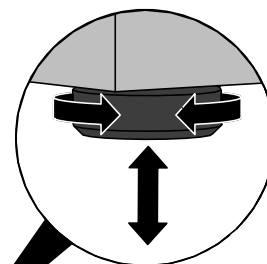
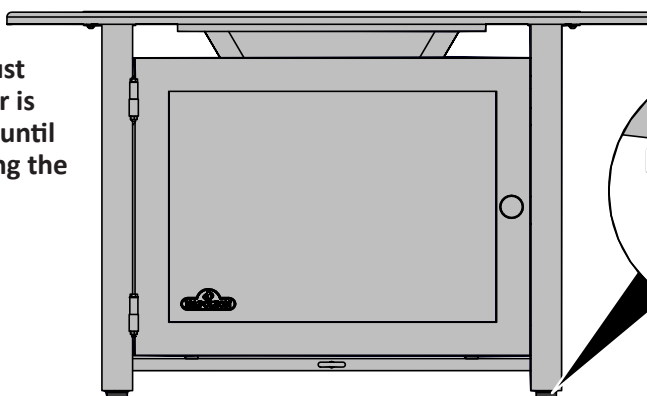
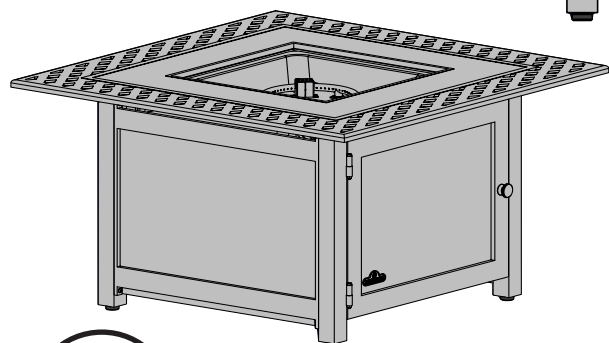
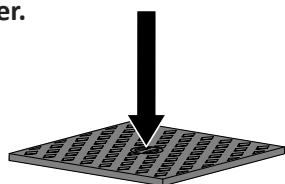




ENSURE NO GLASS IS BLOCKING ANY OF THE OPEN PORTS ON THE IGNITION PORTION OF THE BURNER, DIFFICULTIES IN LIGHTING MAY RESULT.



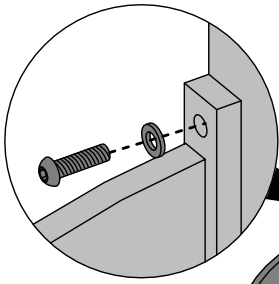
WARNING! The cover must be removed when the burner is in operation. After use, wait until the unit cools before installing the cover.



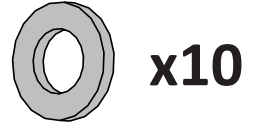
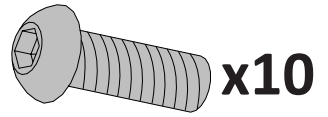
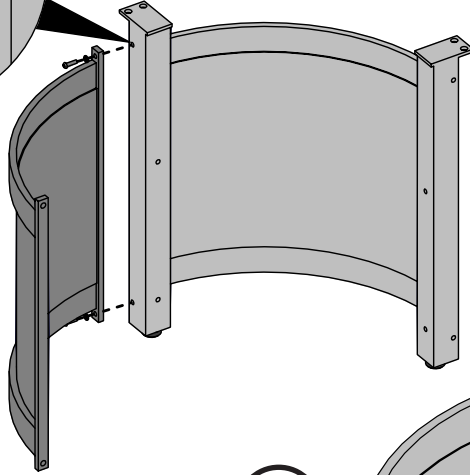
The table surfaces are hand painted. The variation in brush strokes enhances the natural beauty of the product.

VICT3

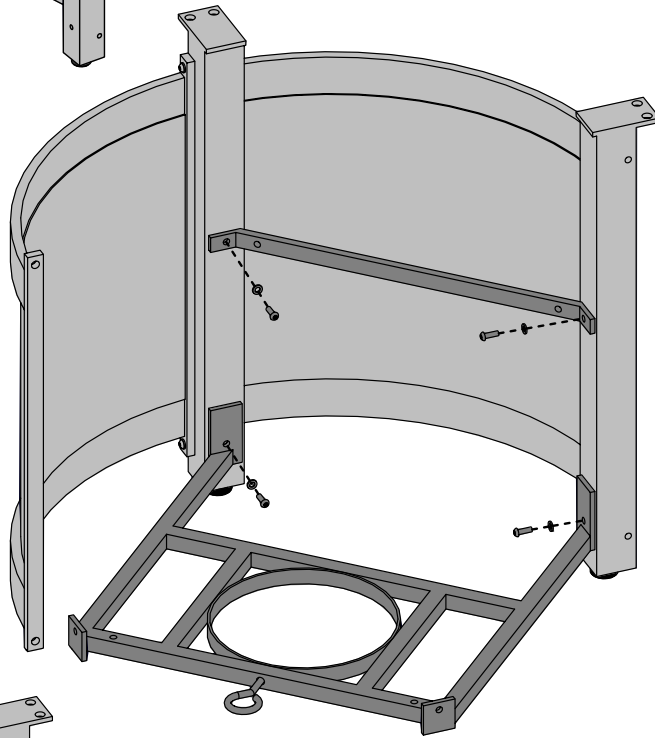
EN



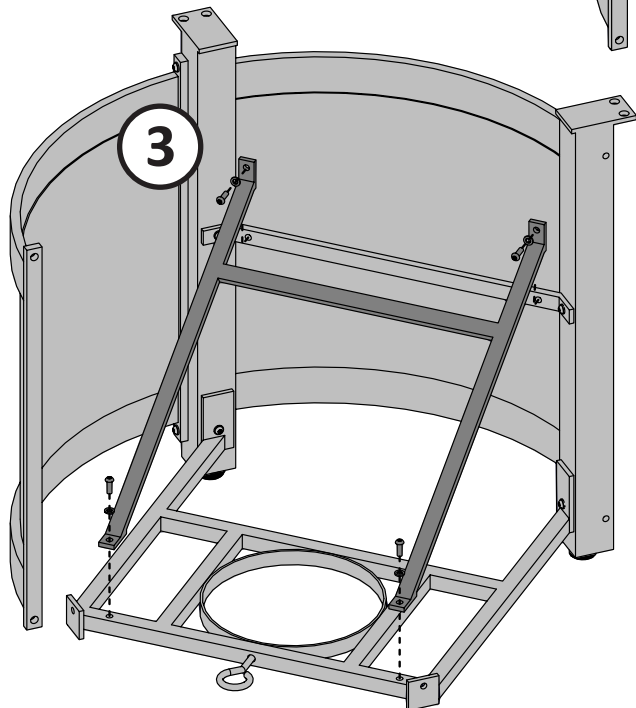
1

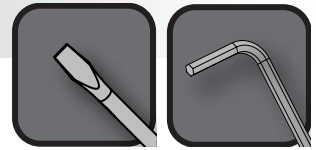


2

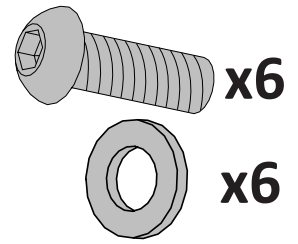
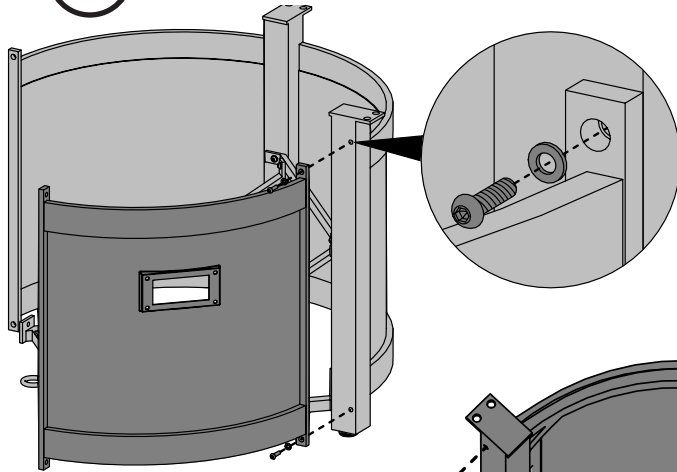


3

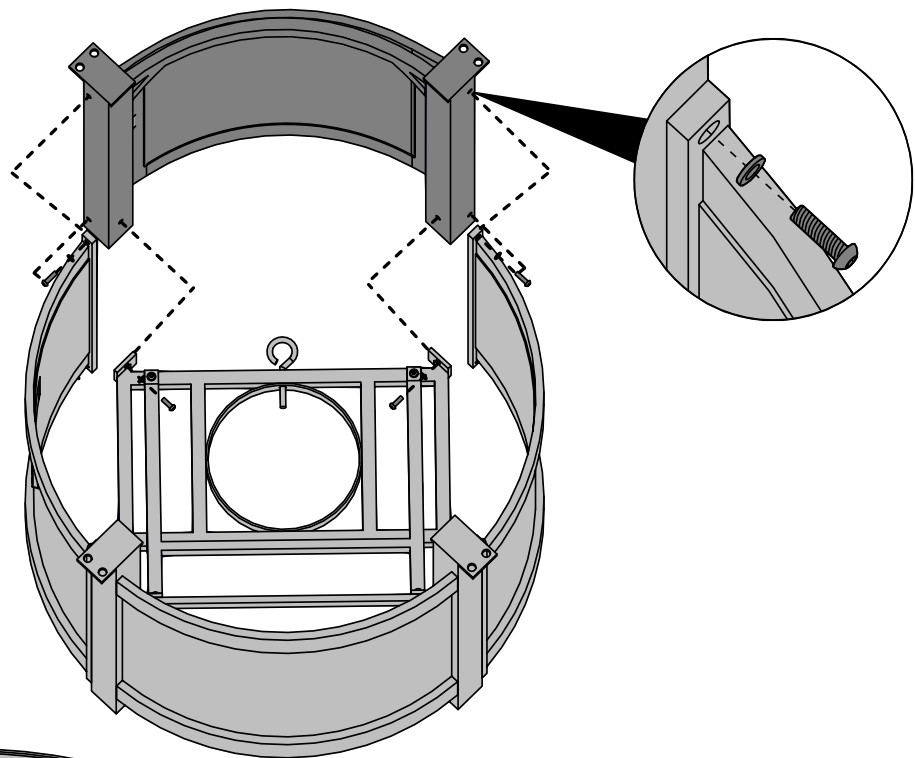




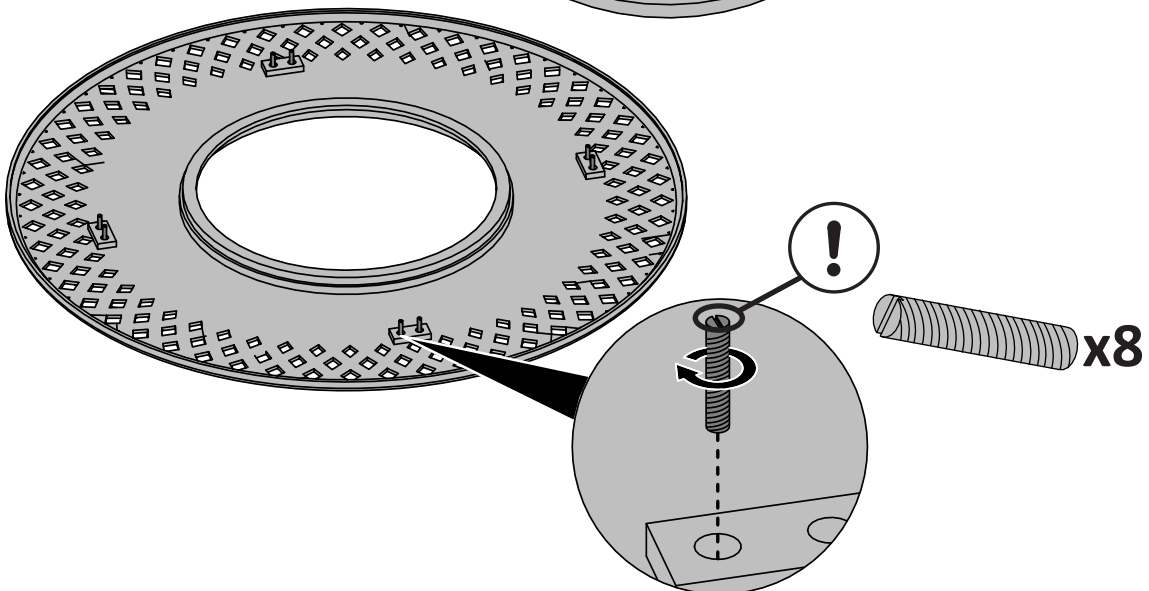
4



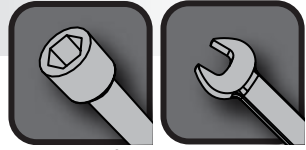
5



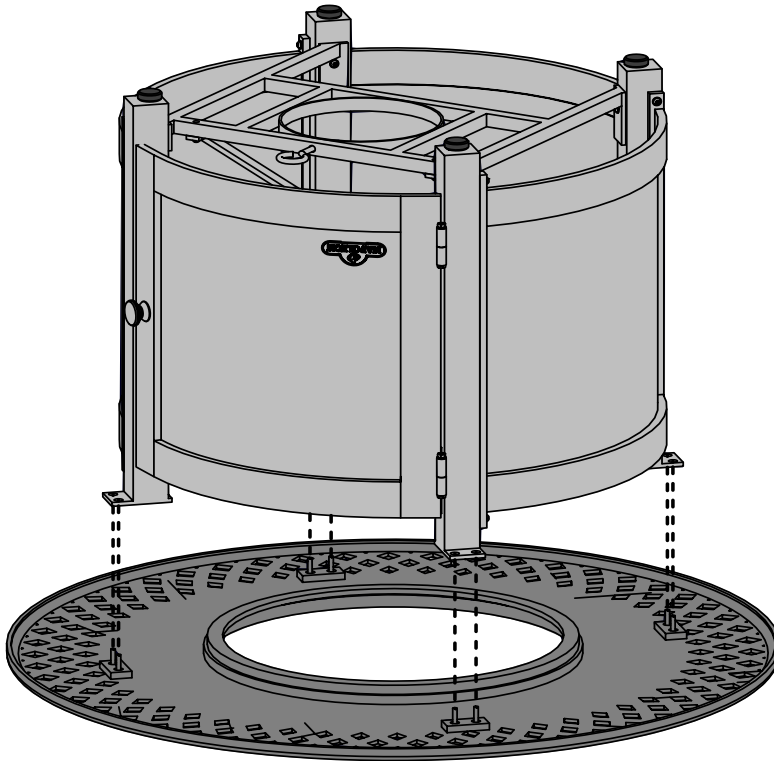
6



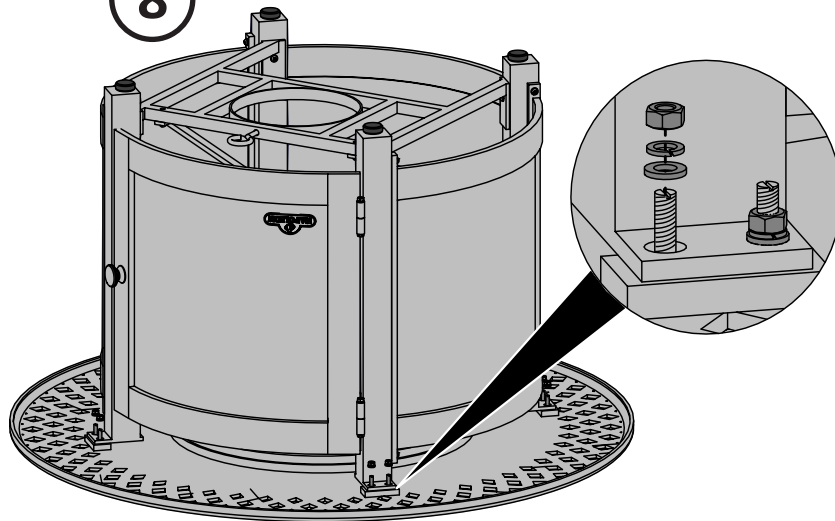
7

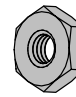
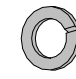
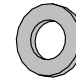


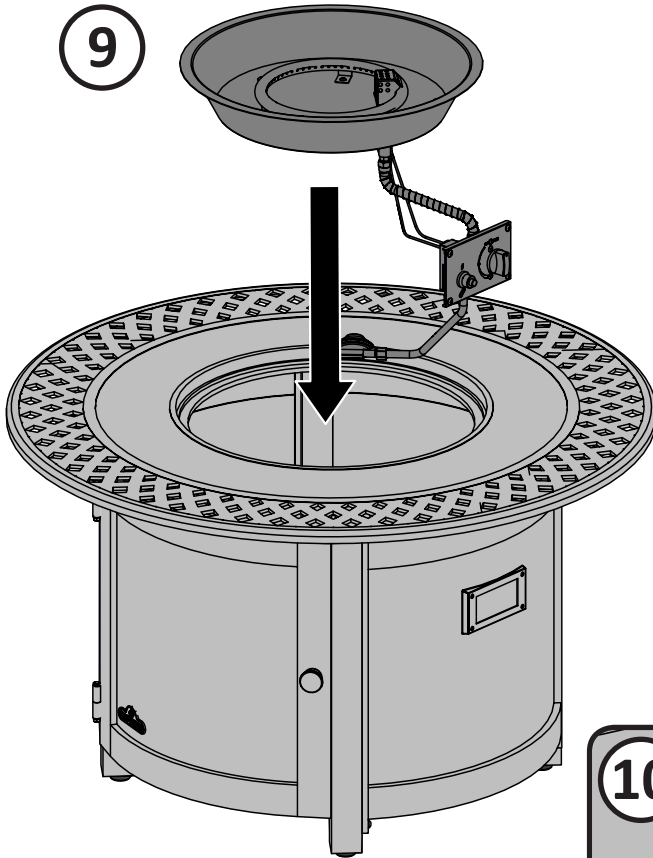
3/8" (10mm)



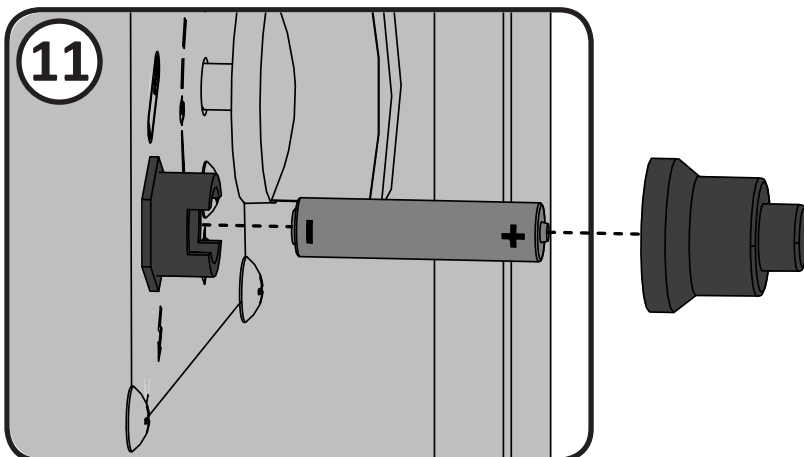
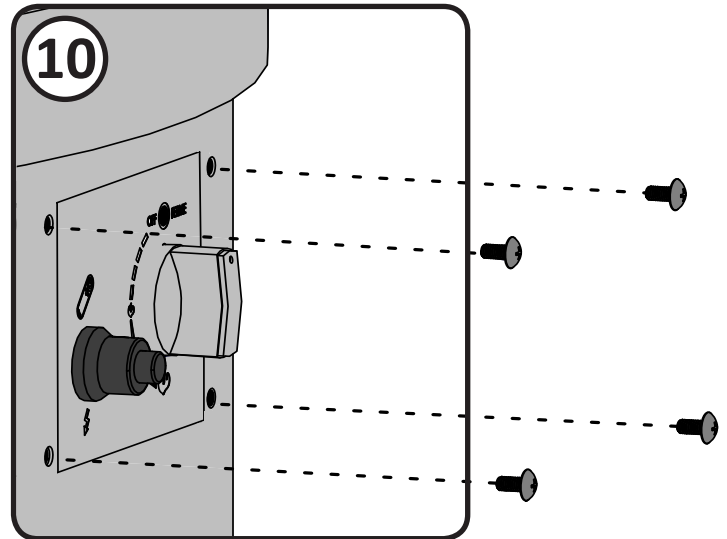
8

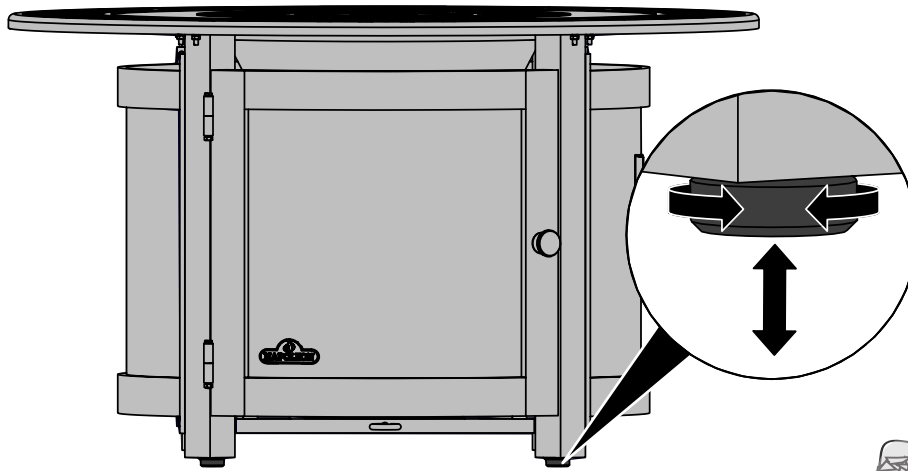


-  x8
-  x8
-  x8

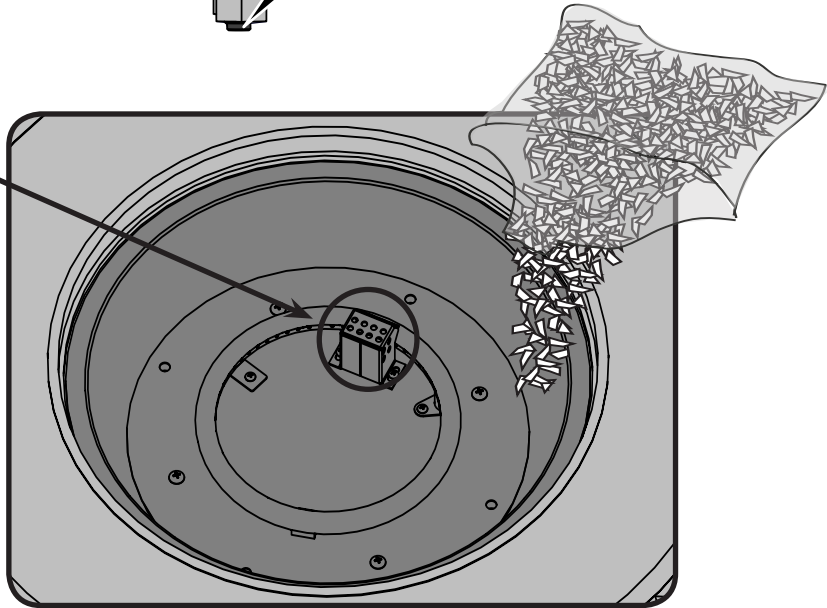


N570-0094 (M5 x 10mm)

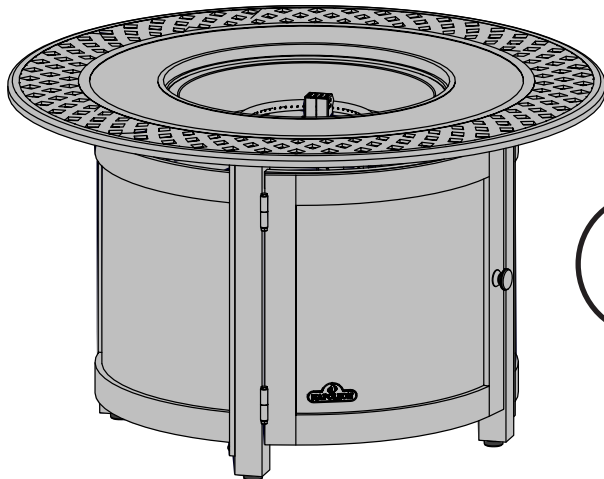




ENSURE NO GLASS IS
BLOCKING ANY OF THE OPEN
PORTS ON THE IGNITION
PORTION OF THE BURNER,
DIFFICULTIES IN LIGHTING
MAY RESULT.



WARNING! The cover must be removed when the burner is in operation. After use, wait until the unit cools before installing the cover.



The table surfaces are hand painted. The variation in brush strokes enhances the natural beauty of the product.

PARTS LIST VICT1

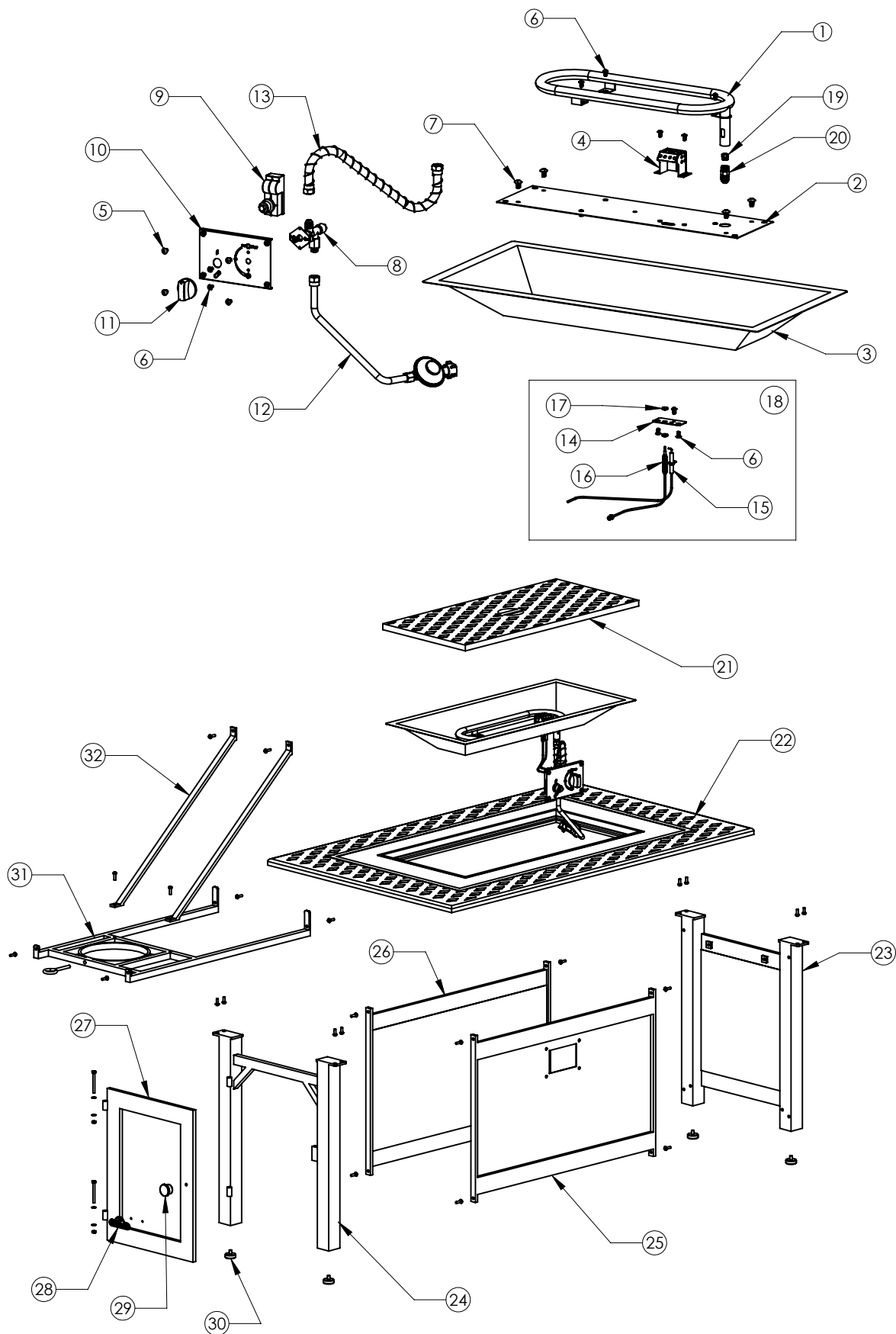
Item	Part #	Description	x
1	N100-0055	burner	x
2	N500-0064	burner plate	x
3	N710-0099	burner pan	x
4	N585-0109	burner shield	x
5	N570-0094	screw M5 x 10mm	x
6	Z570-0032	screw M4 x 10mm	x
7	Z570-0024	screw M6 x 12mm	x
8	N725-0061	valve	p
9	N357-0013	igniter (1.5V AAA battery not included)	x
10	N500-0061	control panel	x
11	N380-0033	control knob	x
12	N530-0003	regulator	p
13	N720-0076	flex connector	x
14	N500-0062	bracket electrode	x
15	N240-0039	electrode	x
16	N680-0001-SER	thermocouple	x
17	N735-0024	washer M8	x
18	N010-0910	electrode assembly	x
19	N455-0086	orifice 1.95mm	p
	N455-0087	orifice #32	n
20	N255-0065	fitting	x
21	N335-0091-BZ4AQ	lid	x
22	N705-0040-BZ4AQ	table top	x
23	N475-0409-BZ4AQ	rear panel	x
24	N010-0900-BZ4AQ	frame assembly	x
25	N475-0408-BZ4AQ	right panel	x
26	N475-0407-BZ4AQ	left panel	x
27	N225-0060-BZ4AQ	door	x
28	N385-0307-SER	napoleon logo	x
29	N325-0096	handle door	x
30	N570-0119	leveling foot	x
31	N080-0394-BZ4AQ	tank bracket	x
32	N655-0193-BZ4AQ	tank support	x
	N020-0175	fastener kit	x
	N300-0002	glass embers topaz (2per)	x
	GPFRE-WNDSCRN	windscreen	ac
	mega	glass embers - amber 1lb	ac
	megb	glass embers - blue 1lb	ac
	megk	glass embers - black 1lb	ac
	megr	glass embers - red 1lb	ac
	mkga	glass embers - amber 5lb	ac
	mkgc	glass embers - clear 5lb	ac
	mkgk	glass embers - black 5lb	ac
	mkgb	glass embers - blue 5lb	ac
	mkgr	glass embers - red 5lb	ac
	68853	optional table cover	ac

x - standard
n - natural gas units only

p - propane units only
ac - accessory

PARTS DIAGRAM VICT1

EN



PARTS LIST VICT2

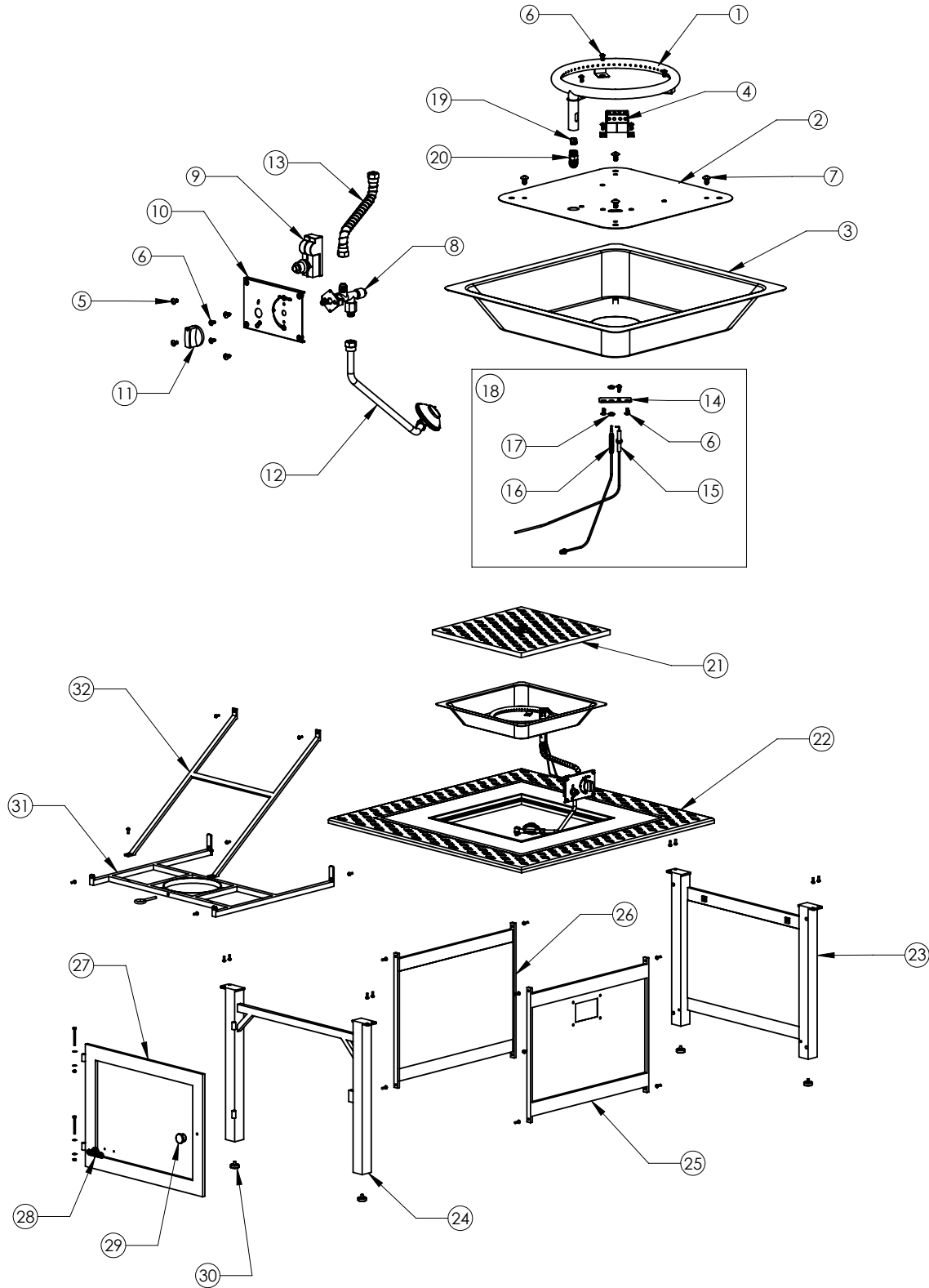
Item	Part #	Description	x
1	N100-0054	burner	x
2	N500-0063	burner plate	x
3	N710-0098	burner pan	x
4	N585-0109	burner shield	x
5	N570-0094	screw M5 x 10mm	x
6	Z570-0032	screw M4 x 10mm	x
7	Z570-0024	screw M6 x 12mm	x
8	N725-0061	valve	p
9	N357-0013	igniter (1.5V AAA battery not included)	x
10	N500-0061	control panel	x
11	N380-0033	control knob	x
12	N530-0003	regulator	p
13	N720-0076	flex connector	x
14	N500-0062	bracket electrode	x
15	N240-0039	electrode	x
16	N680-0001-SER	thermocouple	x
17	N735-0024	washer M8	x
18	N010-0910	electrode assembly	x
19	N455-0086	orifice 1.95mm	p
	N455-0087	orifice #32	n
20	N255-0065	fitting	x
21	N335-0092-BZ4AQ	lid	x
22	N705-0041-BZ4AQ	table top	x
23	N475-0412-BZ4AQ	rear panel	x
24	N010-0901-BZ4AQ	frame assembly	x
25	N475-0411-BZ4AQ	right panel	x
26	N475-0410-BZ4AQ	left panel	x
27	N225-0061-BZ4AQ	door	x
28	N385-0307-SER	napoleon logo	x
29	N325-0096	handle door	x
30	N570-0119	leveling foot	x
31	N080-0393-BZ4AQ	tank bracket	x
32	N655-0192-BZ4AQ	tank support	x
	N020-0175	fastener kit	x
	N300-0002	glass embers topaz (2per)	x
	GPFSE-WNDSCRN	windscreen	ac
	mega	glass embers - amber 1lb	ac
	megb	glass embers - blue 1lb	ac
	megk	glass embers - black 1lb	ac
	megr	glass embers - red 1lb	ac
	mkga	glass embers - amber 5lb	ac
	mkgc	glass embers - clear 5lb	ac
	mkgk	glass embers - black 5lb	ac
	mkgb	glass embers - blue 5lb	ac
	mkgr	glass embers - red 5lb	ac
	68852	optional table cover	ac

x - standard
n - natural gas units only

p - propane units only
ac - accessory

PARTS DIAGRAM VICT2

EN



PARTS LIST VICT3

EN

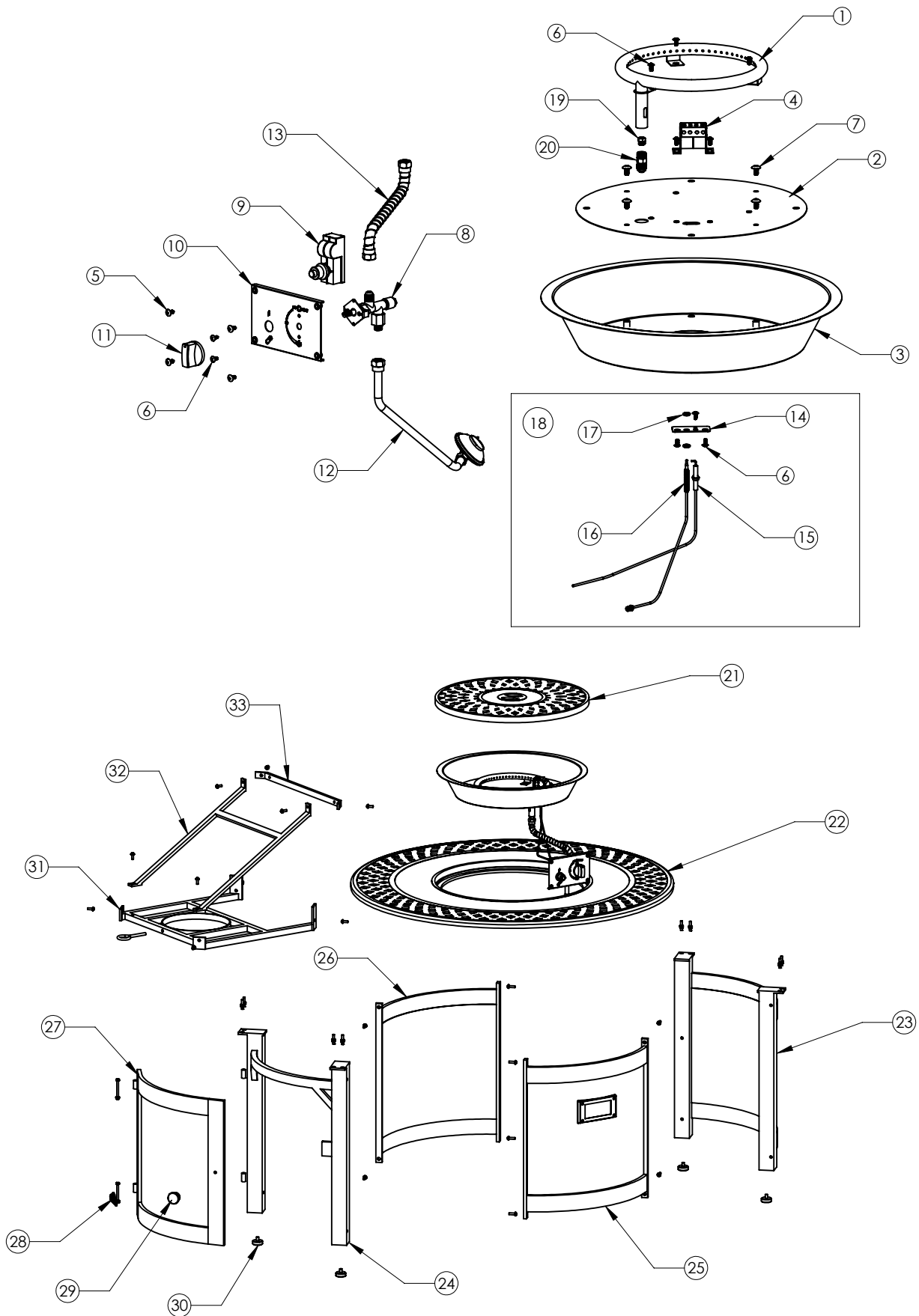
Item	Part #	Description	x
1	N100-0054	burner	x
2	N500-0060	burner plate	x
3	N710-0097	burner pan	x
4	N585-0109	burner shield	x
5	N570-0094	screw M5 x 10mm	x
6	Z570-0032	screw M4 x 10mm	x
7	Z570-0024	screw M6 x 12mm	x
8	N725-0061	valve	p
9	N357-0013	igniter (1.5V AAA battery not included)	x
10	N500-0061	control panel	x
11	N380-0033	control knob	x
12	N530-0003	regulator	p
13	N720-0076	flex connector	x
14	N500-0062	bracket electrode	x
15	N240-0039	electrode	x
16	N680-0001-SER	thermocouple	x
17	N735-0024	washer M8	x
18	N010-0910	electrode assembly	x
19	N455-0086	orifice 1.95mm	p
	N455-0087	orifice #32	n
20	N255-0065	fitting	x
21	N335-0093-BZ4AQ	lid	x
22	N705-0042-BZ4AQ	table top	x
23	N475-0415-BZ4AQ	rear panel	x
24	N010-0902-BZ4AQ	frame assembly	x
25	N475-0414-BZ4AQ	right panel	x
26	N475-0413-BZ4AQ	left panel	x
27	N225-0062-BZ4AQ	door	x
28	N385-0307-SER	napoleon logo	x
29	N325-0096	handle door	x
30	N570-0119	leveling foot	x
31	N080-0395-BZ4AQ	tank bracket	x
32	N655-0194-BZ4AQ	tank support	x
33	N655-0195-BZ4AQ	tank bracket brace	x
	N020-0175	fastener kit	x
	N300-0002	glass embers topaz (2per)	x
	GPFCE-WNDSCRN	windscreen	ac
	mega	glass embers - amber 1lb	ac
	megb	glass embers - blue 1lb	ac
	megk	glass embers - black 1lb	ac
	megr	glass embers - red 1lb	ac
	mkga	glass embers - amber 5lb	ac
	mkgc	glass embers - clear 5lb	ac
	mkgk	glass embers - black 5lb	ac
	mkgb	glass embers - blue 5lb	ac
	mkgr	glass embers - red 5lb	ac
	68854	optional table cover	ac

x - standard
n - natural gas units only

p - propane units only
ac - accessory

PARTS DIAGRAM VICT3

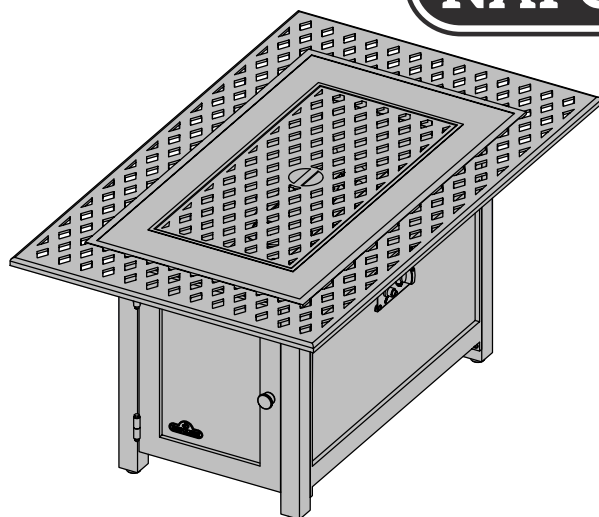
EN



Ce l'appareil au gaz doit être utilisé uniquement à l'extérieur, dans un endroit bien aéré et ne doit jamais être utilisé à l'intérieur d'un bâtiment, d'un garage, un gazebo, une véranda avec paramoustique, ou de tout autre endroit fermé.



FR



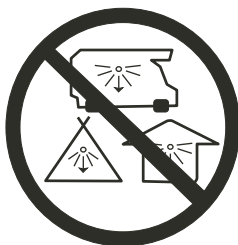
PATIOFLAME

FOYERS EXTÉRIEURS AU GAZ

VICT1 (GPFR40)

VICT2 (GPFS40)

VICT3 (GPFC40)



DANGER! RISQUE D'EMPOISONNEMENT AU MONOXYDE DE CARBONE

Cet appareil peut produire du monoxyde de carbone, un gaz inodore. L'utilisation de ce gaz dans un espace clos peut être mortelle. Ne jamais utiliser cet appareil dans un espace clos comme une caravane, une tente, une automobile ou une maison.



DANGER

SI VOUS DÉTECTEZ UNE ODEUR DE GAZ :

- Fermez l'alimentation en gaz à l'appareil.
- Éteignez toute flamme nue.
- Si l'odeur persiste, éloignez-vous de l'appareil et appelez immédiatement votre fournisseur de gaz ou le service des incendies.



AVERTISSEMENT! Pour usage extérieur seulement.



AVERTISSEMENT

Ne tentez pas d'allumer cet appareil avant d'avoir lu la section «INSTRUCTIONS D'ALLUMAGE» de ce manuel.

Pour votre sécurité, n'entrez pas et n'utilisez pas d'essence ou autres liquides et vapeurs inflammables à proximité de cet ou tout autre appareil. Une bonbonne de propane non branchée ne devrait pas être entreposée à proximité de cet ou de tout autre appareil. Si ces instructions ne sont pas suivies à la lettre, un feu ou une explosion pourraient s'ensuivre, causant des dommages à la propriété, des blessures corporelles ou des pertes de vie.

INSTALLATEUR : LAISSEZ CE MANUEL AVEC L'APPAREIL.

PROPRIÉTAIRE : CONSERVEZ CE MANUEL POUR CONSULTATION ULTÉRIEURE.



Intertek

N415-0390 MAY 09.18

Wolf Steel Ltd.
214 Bayview Drive,
Barrie, Ontario, CANADA L4N 4Y8
grills@napoleonproducts.com

www.napoleongrills.com



Garantie limitée de 3 ans de Napoléon

Les produits NAPOLÉON sont conçus avec des composants et des matériaux de qualité supérieure, assemblés par des artisans qualifiés qui sont fiers de leur travail. Ce produit a été soigneusement inspecté par un technicien qualifié avant d'être emballé et expédié pour garantir que vous, le client, recevez le produit de qualité dont vous vous attendez de la part de NAPOLÉON.

FR

NAPOLÉON garantit que les composants de votre nouveau produit NAPOLÉON seront exempts de défauts de matériau ou de fabrication à compter de la date de l'achat, et ce, pour la durée suivante :

Assemblage de brûleur en acier inoxydable	3 ans
Boîtier en acier inoxydable	3 ans
Dessus de table et piédestal en aluminium	3 ans
Tous autres composants	2 ans

* Conditions et limitations

La présente garantie limitée couvre une période de garantie telle que spécifiée dans le tableau ci-dessus pour tout produit acheté par l'entremise d'un détaillant autorisé NAPOLÉON et donne droit à l'acheteur d'origine à la couverture spécifiée relativement à tout composant remplacé durant la période de garantie, que ce soit par NAPOLÉON ou un détaillant autorisé NAPOLÉON, pour le remplacement de tout composant qui présente une défaillance dans le cadre d'un usage privé normal à la suite d'un défaut de fabrication. La mention « 50 % de rabais » indiquée dans le tableau signifie que le composant est mis à disposition de l'acheteur à 50 % de son prix de détail courant pour la période indiquée. La présente garantie limitée ne couvre ni les accessoires ni les articles offerts gratuitement.

Il est entendu que l'« usage privé normal » d'un produit signifie que le produit : a été installé par un technicien de service ou entrepreneur certifié, conformément aux instructions d'installation incluses avec le produit et à tous les codes d'incendie et de construction locaux et nationaux; a été entretenu correctement; et n'a pas été utilisé dans une application à usage collectif ou commercial.

De la même manière, « défaillance » n'inclut pas : la surchauffe, les extinctions causées par des conditions environnementales telles que des vents forts ou une ventilation inadéquate, les égratignures, les bosses, la corrosion, la détérioration des finis peints et plaqués, la décoloration due à la chaleur, aux nettoyants abrasifs ou chimiques ou à l'exposition à des rayons UV, l'écaillage des pièces en porcelaine émaillée ou les dommages causés par un mauvais usage, un accident, la grêle, des feux de graisse, un manque d'entretien, un environnement inadéquat tel que le sel ou le chlore, des altérations, des abus, des négligences ou des pièces installées par d'autres fabricants.

Dans le cas d'une détérioration des composants causant le mauvais fonctionnement de l'appareil (perforation par la rouille ou la surchauffe) pendant la période couverte par la garantie, les pièces de rechange seront fournies par NAPOLÉON. Les composants de rechange relèvent de la seule responsabilité de NAPOLÉON telle que définie par la présente garantie limitée; en aucun cas, NAPOLÉON ne saurait être tenu responsable de l'installation, de la main-d'œuvre ou de tous autres coûts ou dépenses relatifs à la réinstallation d'une pièce garantie, de tous dommages accessoires, consécutifs ou indirects ni de tous frais de transport, de main-d'œuvre ou taxes d'exportation.

La présente garantie limitée vient s'ajouter à tous les droits qui vous sont accordés par la législation locale. Par conséquent, la présente garantie limitée n'impose pas à NAPOLÉON l'obligation de garder des pièces en stock. En fonction de la disponibilité des pièces, NAPOLÉON peut, à sa discrétion, se libérer de toute obligation en fournissant à un client un crédit au prorata applicable à un nouveau produit. Après la première année, NAPOLÉON peut, à sa discrétion, se libérer entièrement de toute obligation en ce qui concerne la présente garantie limitée en remboursant à l'acheteur d'origine le prix de gros de toute pièce garantie et défectueuse.

La facture ou une copie sera requise ainsi que le numéro de série et le numéro de modèle lors d'une réclamation auprès de NAPOLÉON. NAPOLÉON se réserve le droit de demander à son représentant d'inspecter tout produit ou pièce avant d'honorer toute réclamation. Pour pouvoir bénéficier de la couverture de garantie, vous devez contacter le service à la clientèle de NAPOLÉON ou un détaillant autorisé NAPOLÉON.



napoleongrills.com



AVERTISSEMENT! Pour usage extérieur seulement.

AVERTISSEMENT! Une installation non conforme, des ajustements, des altérations, un service ou un entretien inadéquats peuvent causer des dommages matériels. Lisez attentivement toutes les instructions d'installation, d'opération et d'entretien avant d'installer ou d'effectuer un travail d'entretien sur ce l'appareil au gaz.

Pratiques Sécuritaires D'utilisation

- **CET APPAREIL EST CHAUD LORSQU'IL FONCTIONNE ET PEUT CAUSER DE GRAVES BRÛLURES EN CAS DE CONTACT.**
- **L'installation et les réparations doivent être effectuées par un technicien de service qualifié. Cet appareil doit être inspecté avant la première utilisation et au moins une fois l'an par un technicien de service qualifié. Un entretien plus fréquent pourrait être nécessaire. Il est primordial de garder propres le compartiment de contrôle, les brûleurs et les passages d'approvisionnement d'air de l'appareil.**
- Ne faites pas fonctionner l'appareil avant d'avoir lu et compris les instructions d'opération. Omettre d'utiliser l'appareil selon les instructions d'opération pourrait causer un incendie ou des blessures.
- Risque de brûlures. L'appareil doit être éteint et refroidi avant d'effectuer un entretien.
- N'installez pas de composants endommagés ou incomplets ni des composants substitués.
- **Les jeunes enfants doivent être supervisés attentivement lorsqu'ils sont dans la même pièce que l'appareil. Les jeunes enfants et autres personnes sont sujets aux brûlures accidentelles. Une barrière de protection est recommandée si des individus à risque se trouvent dans la maison. Afin de restreindre l'accès à l'appareil, installez une barrière de protection ajustable pour garder les jeunes enfants ou autres personnes à risque hors de la pièce et loin des surfaces chaudes.**
- Assurez-vous de disposer de mesures de sécurité adéquates pour empêcher les jeunes enfants de toucher aux surfaces chaudes.
- Cet appareil ne devra être modifié en aucun cas.
- Gardez les matériaux d'emballage hors de la portée des enfants et mettez ces matériaux au rebut de façon sécuritaire. Comme tous les emballages de plastique, ceux-ci ne sont pas des jouets et doivent demeurer hors de la portée des enfants et des bébés.
- Ne laissez pas l'appareil sans surveillance lorsqu'il est allumé.
- Pour usage extérieur seulement.
- N'utilisez pas cet appareil pour la cuisson.
- Cet appareil n'est pas conçu pour fonctionner avec un combustible solide.
- Une installation non conforme, des ajustements, des altérations, un service ou un entretien inadéquats peuvent causer des dommages matériels ou des blessures corporelles. Lisez attentivement toutes les instructions d'installation, d'opération et d'entretien avant d'installer ou d'effectuer un travail d'entretien sur cet appareil.
- Cet appareil doit être utilisé UNIQUEMENT à l'extérieur, dans un endroit bien aéré et ne doit JAMAIS être utilisé à l'intérieur d'un bâtiment, d'un garage ou de tout autre endroit fermé.
- Les réservoirs doivent être entreposés à l'extérieur dans un endroit bien aéré, hors de la portée des enfants. Les réservoirs non branchés doivent être munis de bouchons de soupape filetés solidement fixés et ne doivent pas être entreposés à l'intérieur d'un bâtiment, d'un garage ou de tout autre endroit fermé.
- L'entreposage de cet appareil à l'intérieur est permis seulement s'il est débranché de sa source d'alimentation en gaz (ligne de gaz naturel ou réservoir de propane).
- Si le tuyau présente des signes évidents d'usure, de coupures, de craquelures ou qu'il est fendu, vous devez le remplacer avant d'utiliser l'appareil à nouveau.
- **Les vêtements et autres matériaux combustibles ne doivent pas être suspendus à l'appareil, ni posés sur ou près de l'appareil.**
- **Les écrans et les dispositifs de protection enlevés pour faire l'entretien devront être remis en place avant d'utiliser l'appareil.**
- Inspectez le tuyau d'alimentation en gaz pour des signes de fuites (incluant le tuyau pour les modèles au propane) avant chaque utilisation de l'appareil.
- Le régulateur de pression et les tuyaux fournis avec les modèles au propane doivent être utilisés. Les régulateurs de pression et les tuyaux de rechange doivent être ceux spécifiés dans ce manuel.
- Les bonbonnes PL utilisées avec les modèles au propane doivent être fabriquées et étiquetées selon les normes pour les bonbonnes de propane de la Commission canadienne des transports (CCT) ou le US Department of Transportation (DOT).
- Le système d'alimentation de la bonbonne de propane doit être installé de manière à permettre l'évacuation des vapeurs.
- La bonbonne de propane doit avoir un collet pour protéger la soupape de la bonbonne.
- Lorsqu'un appareil au propane n'est pas utilisé, vous devez fermer l'alimentation en gaz sur la bonbonne de propane.
- Pour prolonger la durée de vie de votre appareil, protégez-le des éléments en le recouvrant lorsqu'il n'est pas utilisé.
- Ce produit doit être installé par un plombier certifié ou un installateur pour le gaz lorsque installé dans le Commonwealth du Massachusetts.

Information Générale

Cet appareil au gaz a été testé et homologué selon les normes nationales canadiennes et américaines ANSI Z21.97-2014/CSA 2.41-2014 pour les appareils au gaz décoratifs extérieurs. Lorsqu'un appareil doit être connecté à un système d'approvisionnement fixe, l'installation doit être conforme aux normes locales ou, en l'absence de normes locales, selon le National Fuel Gas Code ANSI Z223.1/NFPA 54, le Code international sur le gaz combustible, le Code d'installation du gaz naturel et du propane CSA B149.1 ou le Code sur le stockage et la manipulation du propane B149.2, selon le cas.

Cet appareil devrait être installé et entretenu par un installateur qualifié en se conformant aux codes locaux.

Les pratiques d'installation peuvent varier d'une région à l'autre. Il est donc important de connaître les normes spécifiques qui s'appliquent à votre région. Par exemple dans l'État du Massachusetts :

- La soupape d'arrêt doit être un robinet à gaz avec une poignée en T.
- Le raccord flexible ne doit pas mesurer plus que 36 pouces.

La soupape de l'appareil doit être débranchée de la ligne d'alimentation en gaz pendant les essais de pression de ce système lorsque les pressions d'essai excèdent 1/2 lb/po² (3,5 kPa).

L'appareil doit être séparé de la ligne d'alimentation en gaz en fermant la soupape de sectionnement manuelle pendant tout essai de pression du système d'alimentation en gaz lorsque la pression est de 1/2 lb/po² (3,5 kPa), ou moins.

Les dégagements aux matériaux combustibles ci-dessous doivent être maintenus :

Côtés (tout autour)	- 24 pouces (610 mm)
Dessus	- 72 pouces (1830 mm)
Plancher	- 9 pouces (229 mm)

- Gardez l'endroit autour de l'appareil libre de matériaux combustibles, d'essence ou autres liquides et vapeurs inflammables en tout temps.
- N'installez pas l'appareil dans un endroit où il peut se faire mouiller de façon excessive.
- N'utilisez pas cet appareil si une partie quelconque a été submergée. Contactez immédiatement un technicien qualifié pour l'inspecter et pour remplacer toute pièce du système de contrôle et du contrôle du gaz qui aurait été submergée.

NATIONAL
FIREPLACE
INSTITUTE



CERTIFIED

www.nficertified.org

Nous suggérons que nos appareils au gaz soient installés et que l'entretien soit effectué par des professionnels certifiés par le National Fireplace Institute® (NFI) comme spécialiste du gaz NFI.



AVERTISSEMENT : Ce produit peut vous exposer à des substances chimiques incluant le plomb et des alliages de plomb qui, selon l'État de Californie, causeraient le cancer, et des substances chimiques incluant le monoxyde de carbone qui, selon l'État de Californie, causeraient des malformations congénitales ou autres dangers pour la reproduction. Pour de plus amples renseignements, visitez le www.P65Warnings.ca.gov.

Pour commencer

1. Retirez toutes les pièces de l'emballage. Référez-vous à la liste des pièces pour vérifier que toutes les pièces nécessaires sont incluses.
2. Ne détruisez pas l'emballage avant d'avoir installé le appareil et de vous être assuré qu'il fonctionne de façon satisfaisante.
3. Choisissez un emplacement correspondant au dégagement minimal aux matériaux combustibles décrit dans du manuel. Vous devez vous assurer d'avoir un accès facile et sans obstruction à la soupape marche/arrêt APRÈS que l'appareil ait été installé et branché à l'alimentation en gaz afin de pouvoir éteindre le brûleur en toute sécurité.
4. La plupart des pièces en acier inoxydable sont protégées par une pellicule de plastique que vous devez enlever avant d'utiliser le appareil. Le revêtement de protection a déjà été retiré de certaines pièces lors du processus de fabrication, ce qui a pu laisser un résidu pouvant être perçu comme des égratignures ou des marques. Pour enlever ce résidu, frottez l'acier inoxydable vigoureusement dans le sens du grain.
5. Lisez ce manuel avant d'installer le appareil ou d'effectuer son entretien et respectez toutes les consignes qu'il contient.

Si vous avez des questions à propos de l'assemblage ou du fonctionnement du appareil, ou si des pièces sont endommagées ou manquantes, veuillez communiquer avec le service aux consommateurs au 1-866-820-8686 entre 9 h et 17 h (heure normale de l'Est).

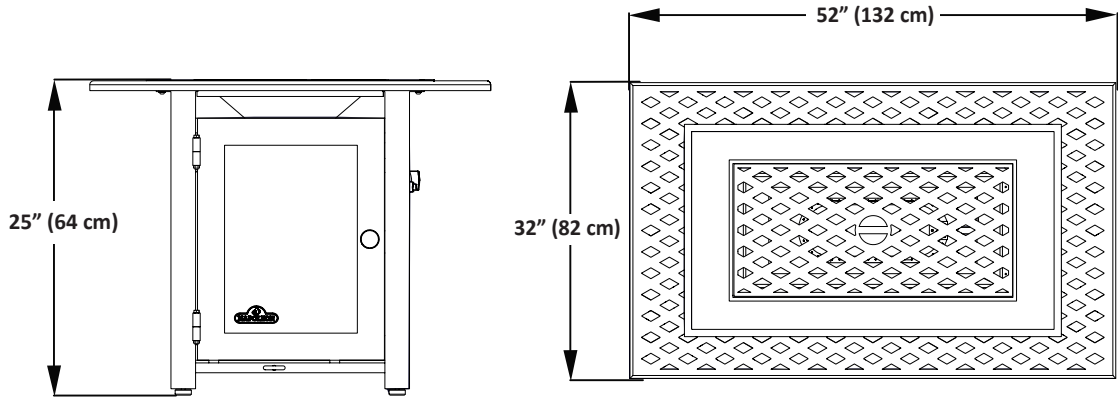


AVERTISSEMENT! Cet appareil est conçu pour les contours incombustibles seulement et doit être ins-tallé et entretenu par un installateur qualifié conformément aux codes locaux.

Spécifications

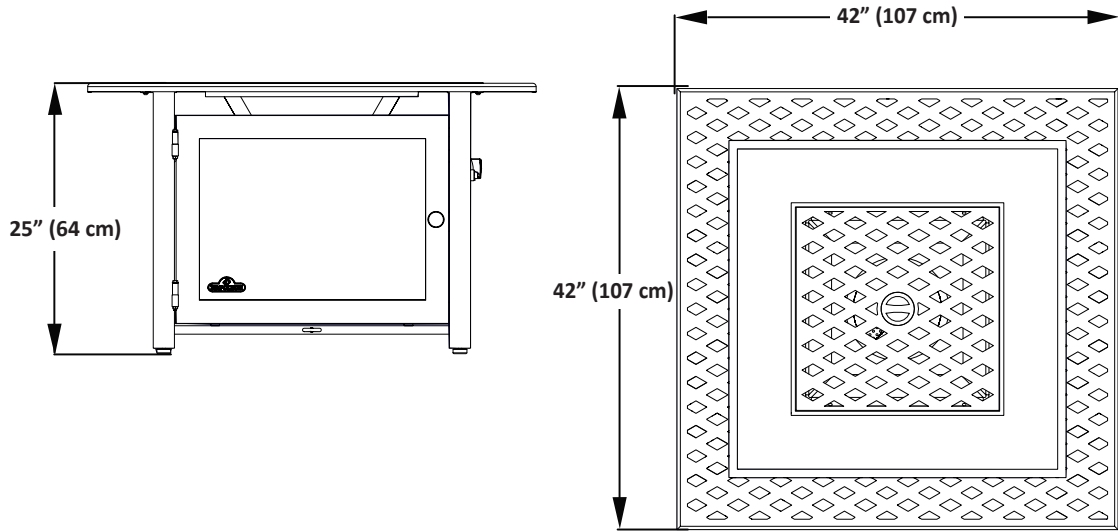
DIMENSIONS

VICT1

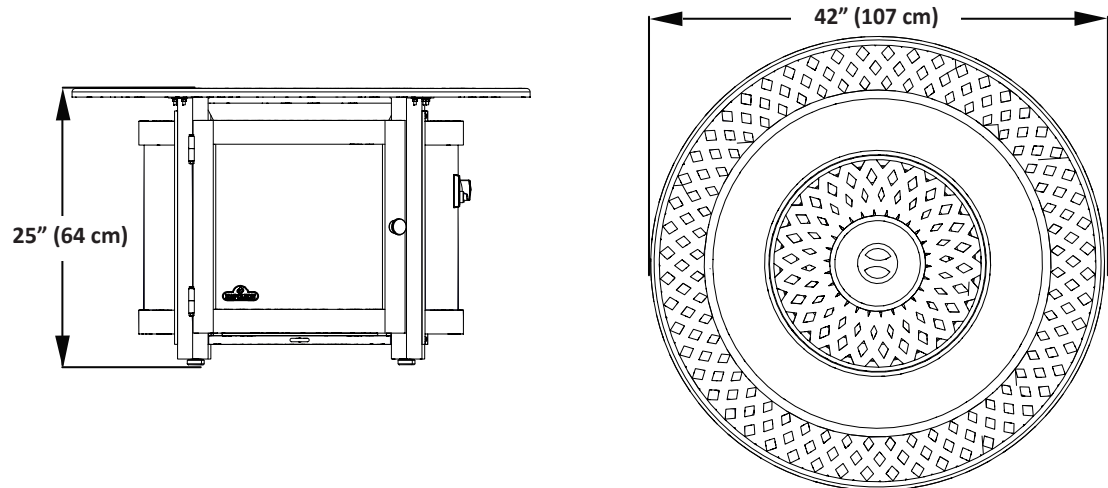


FR

VICT2



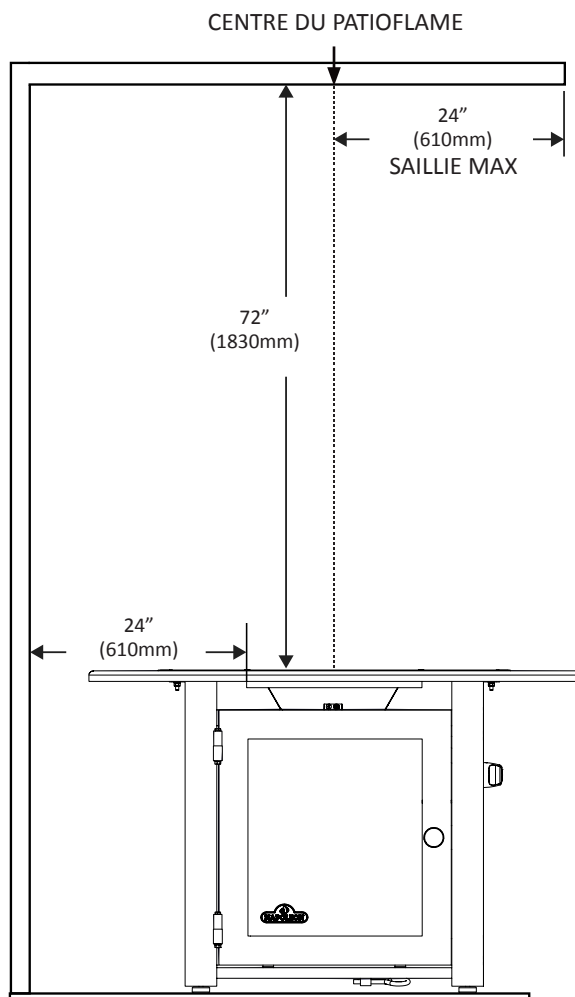
VICT3



DÉBIT		
MODÈLE	COMBUSTIBLE	DÉBIT MAX. Btu/h
VICT1 VICT2	Gaz naturel	40 000
VICT1 VICT2	Propane	40 000
VICT3	Gaz naturel	40 000
VICT3	Propane	40 000

PRESSIONS D'ALIMENTATION EN GAZ		
	NATUREL	PROPANE
Pression d'alimentation maximale	7,0" c.e.	11,0" c.e.

DÉGAGEMENTS MINIMAUX AUX MATÉRIEAUX COMBUSTIBLES		
	POUCES	MM
Murs latéraux	24	610
Dessus de l'appareil jusqu'au plafond	72	1830



LA TABLE EST APPROUVÉ POUR UTILISATION SUR DES PLANCHÉS COMBUSTIBLE

Emplacement

Emplacement de votre l'appareil extérieur

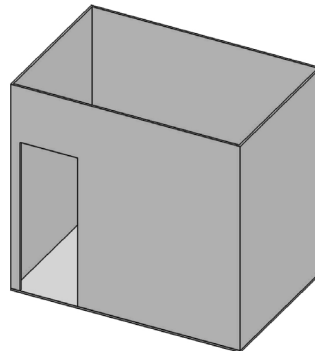
Lors du choix d'un emplacement de votre l'appareil extérieur, il est important d'assurer que le dégagement près des matériaux combustibles adjacents est respecté. Cet appareil est conçu pour être installé sur votre terrasse ou dans votre cour arrière. Il est fortement recommandé que cet appareil soit installé dans un endroit couvert (selon les directives énoncées ci-dessous).

Un vent direct provoquera une flamme irrégulière et possiblement une panne de veilleuse ou de brûleur. Une flamme irrégulière pourrait également entraîner des dépôts de carbone excessifs (suie noire); cela n'affecte pas la sécurité, mais est visuellement indésirable.

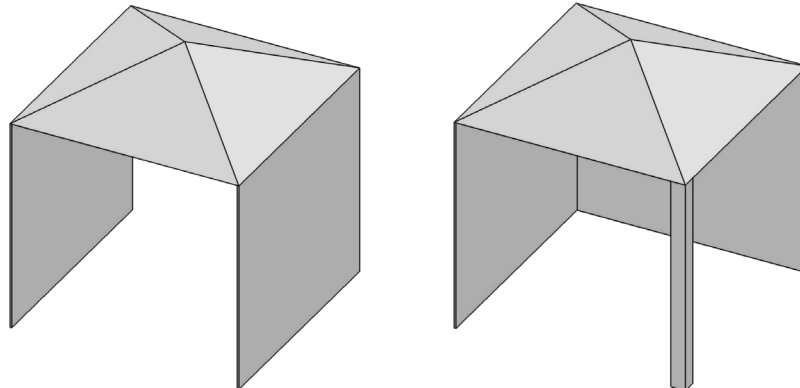
Note: Lorsque vous choisissez un emplacement pour votre l'appareil, prenez soin d'éviter les endroits trop humides ou à proximité de sources d'eau courantes.

Toute enceinte (abri) dans laquelle l'appareil est utilisé doit être conforme à l'un des éléments suivants:

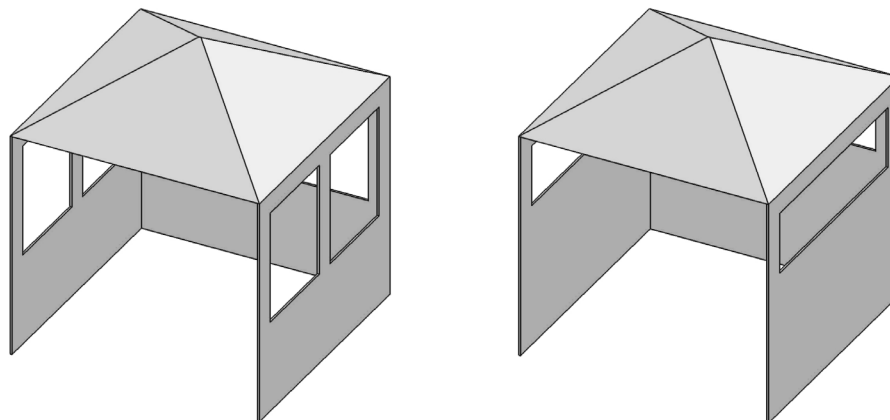
Installation à l'intérieur d'une enceinte qui comporte des murs de chaque côté, mais au moins une ouverture permanente au niveau du sol et aucun recouvrement sur le dessus.



Installation à l'intérieur d'une enceinte partielle qui comprend un recouvrement sur le dessus et deux murs latéraux au maximum. Ces murs peuvent être parallèles l'un par rapport à l'autre, comme dans un passage couvert, ou former un angle droit.



Installation à l'intérieur d'une enceinte partielle qui comprend un recouvrement sur le dessus et trois murs latéraux, dans la mesure où 30 pour cent ou plus de la périphérie horizontale de l'enceinte est ouverte en permanence.





Branchement Au Gaz

AVERTISSEMENT! Si ces instructions ne sont pas suivies à la lettre, un incendie pourrait s'ensuire, causant des blessures graves ou la mort.

Spécifications Pour La Bonbonne De Propane

Un cylindre bosselé ou rouillé peut être dangereux et devrait être vérifié par votre fournisseur de propane. N'utilisez jamais un cylindre avec une soupape endommagée. Le cylindre de propane doit être fabriqué et étiqueté conformément aux spécifications américaines du D.O.T. pour les cylindres de propane ou à la norme pour les cylindres, bouteilles et tubes utilisés pour le transport des marchandises dangereuses CAN/CSA-B339, le cas échéant.

Le cylindre de propane doit être muni d'un dispositif de connexion compatible avec la connexion de l'appareil.

Cet appareil a été conçu pour être utilisé avec une bonbonne de propane de 20 livres (9.1kg) ou 30 lb (13.6 kg) uniquement (non fournie).

The LP-gas supply cylinder must be provided with a cylinder-connection device compatible with the connection for the appliance. La bonbonne de propane doit être équipée d'une soupape d'arrêt se raccordant à une soupape de type QCC1. Une valve de sécurité doit être branchée directement sur la bonbonne. Le système d'alimentation de la bonbonne doit être installé de manière à permettre l'évacuation des vapeurs et doit avoir un collet pour protéger la soupape de la bonbonne. La bonbonne doit être munie d'un dispositif de détection de trop-plein. Ne rangez pas de bonbonne de propane de rechange sous cet appareil ou à proximité. Ne remplissez jamais la bonbonne à plus de 80 pour cent de sa pleine capacité. Si ces consignes ne sont pas suivies à la lettre, un feu pourrait s'ensuire, causant des blessures sérieuses ou des pertes de vie.

N'utilisez que l'ensemble de régulateur de pression et de tuyau fourni avec ce l'appareil. Les ensembles de régulateur de pression et tuyaux de rechange doivent être recommandés par le fabricant. Le régulateur fourni une pression de 11 pouces de colonne d'eau au l'appareil. Le l'appareil possède un raccord de type QCC1. Les bonbonnes utilisées avec ce l'appareil doivent être munies d'une soupape QCC1. Une soupape QCC1 possède un raccord qui empêche l'écoulement du gaz jusqu'à ce qu'un joint étanche soit obtenu. Elle est aussi équipée d'un dispositif de contrôle d'écoulement du gaz. Afin d'obtenir un débit maximal de gaz, les soupapes du l'appareil doivent être fermées lorsque vous ouvrez la soupape de la bonbonne.



AVERTISSEMENT! Le tuyau doit être fixé de façon à ce qu'aucune partie du boyau ne touche le dessous de appareil. Si vous ne suivez pas ces instructions à la lettre, un feu en résultera.

Propane

Fixez une patte de fixation à la base du réservoir. Fixez-la ensuite à la surface sur laquelle elle repose. Le réservoir devrait être sur une surface de niveau.

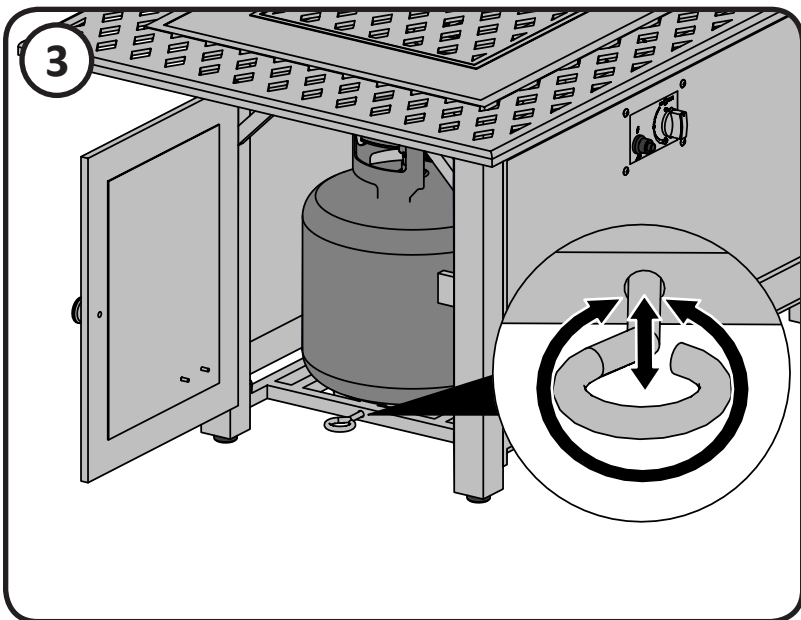
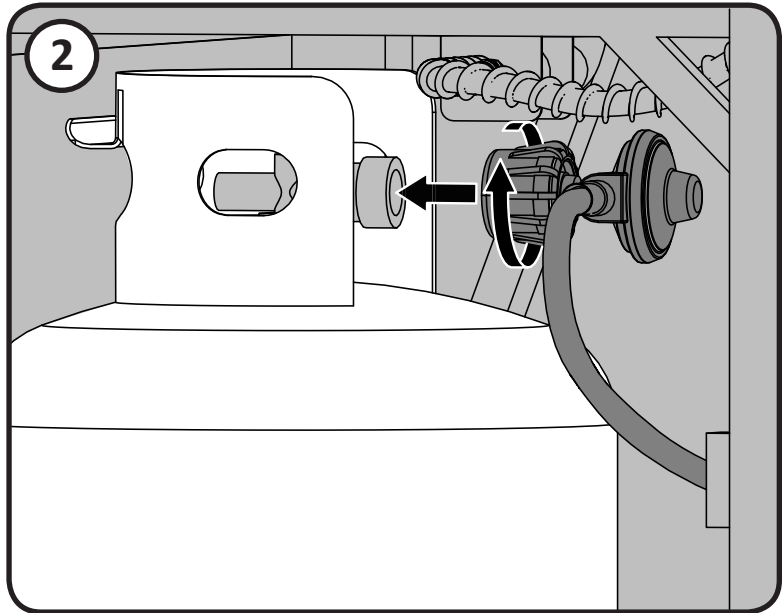
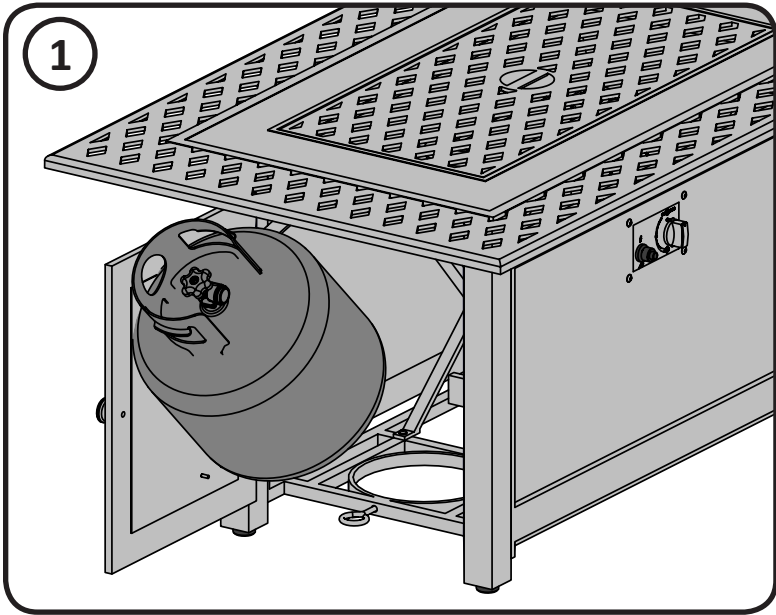
Raccord De La Bonbonne: Assurez-vous que le tuyau du régulateur de gaz est sans anomalie. Enlevez les bouchons sur la soupape de gaz à la bonbonne. Connectez le régulateur QCC1 sur la soupape de gaz QCC1. Serrez à la main dans le sens des aiguilles d'une montre. N'utilisez pas d'outil. Faites un test de fuites sur tous les raccords avant d'utiliser le appareil. Un test de fuites doit être fait annuellement et à chaque fois qu'une bonbonne est remplacée ou qu'une pièce du système de gaz est remplacée.

Si le appareil est branché directement au réservoir de propane de la maison, suivez les instructions pour le branchement au gaz naturel.



ATTENTION!

- Assurez-vous que la soupape de la bonbonne est complètement fermée. (Tournez vers la droite pour fermer).
- Vérifiez les caractéristiques de la soupape pour vous assurer qu'elle possède un filetage externe compatible. (Soupape de gaz marquée : USE WITH TYPE 1)
- Une fois l'inspection du tuyau de gaz propane terminée, branchez le bout du tuyau avec le raccord femelle au raccord mâle de la soupape de gaz « on/off » de l'appareil. Serrez les raccords à l'aide de 2 clés.
- Lorsque vous branchez le régulateur à la soupape de la bonbonne, serrez l'écrou noir QCC1 à la main, dans le sens des aiguilles d'une montre, jusqu'à un blocage complet. N'UTILISEZ PAS de clé pour serrer. L'utilisation d'une clé peut endommager l'écrou et créer des conditions dangereuses.
- Placez le tuyau hors des endroits où il risque d'être endommagé de façon accidentelle et hors des voies de passage pour éviter que les gens trébuchent.
- Ouvrez complètement la soupape de la bonbonne (sens contraire des aiguilles d'une montre). Tournez la soupape « on/off » de l'appareil lentement à « on » et vérifiez tous les raccords pour des fuites de gaz avec une solution d'eau savonneuse avant d'allumer l'appareil. Comme indiqué dans le diagramme. Si vous trouvez une fuite, tournez la soupape de la bonbonne à « off » et n'utilisez pas cet appareil tant que la fuite n'est pas réparée.



Conversion au gaz naturel



AVERTISSEMENT! Pour éviter les risques de brûlure, la conversion doit uniquement avoir lieu lorsque le Patioflame est froid. Vérifiez que le brûleur est bien éteint. Coupez l'alimentation en gaz à la source et débranchez le Patioflame avant d'entreprendre la conversion.



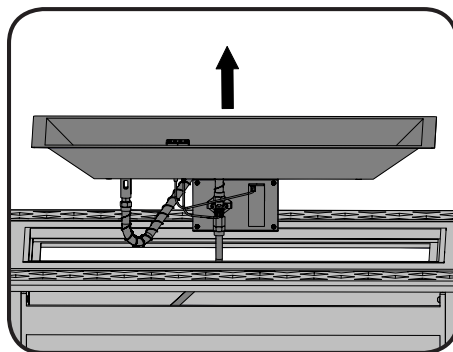
AVERTISSEMENT! Les braises de verre peuvent avoir des rebords tranchants. Portez des lunettes de sécurité et des gants lorsque vous les manipulez.



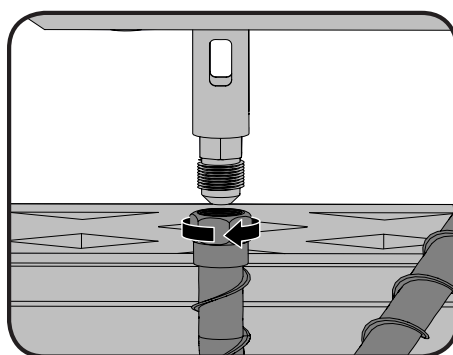
AVERTISSEMENT! Cette conversion doit être effectuée par un installateur qualifié pour le gaz. Tous les raccords doivent être soumis à un test de détection de fuites avant l'utilisation du Patioflame.

Vous pouvez aisément convertir votre Patioflame au gaz naturel en suivant ces étapes:

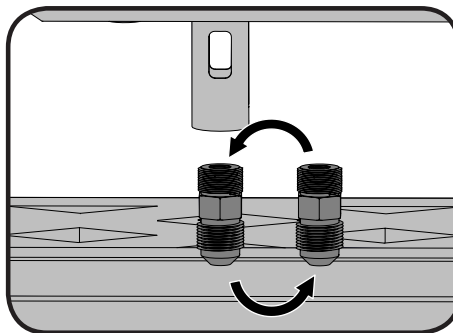
1. Retirez les braises de verre du le brûleur.
2. Retirez le brûleur du Patioflame à partir de l'enceinte. Veillez à ne pas endommager ou tordre le fil du thermocouple.



3. Débranchez le raccord flexible en acier inoxydable de l'injecteur à l'aide de deux (2) clés.



4. Dévissez l'injecteur de propane de l'intérieur du brûleur, comme illustré.



5. Remplacez l'injecteur de propane par l'injecteur de gaz naturel fourni.

Note : Le volet d'air a été réglé en usine et n'a pas besoin d'être ajusté.

6. Rebranchez le raccord flexible en acier inoxydable à l'injecteur et serrez-le à l'aide de deux (2) clés.

7. Placer le brûleur dans l'enceinte.
8. Remplissez l'étiquette de conversion inclus avec votre flamme patio et l'appliquer à l'intérieur de la porte d'accès du panneau de commande.

Faites un test de détection de fuites selon les instructions fournies dans le manuel.

Branchement au gaz naturel

Cet appareil au gaz est conçu pour fonctionner à une pression d'entrée de 7 po de colonne d'eau. Le tuyau qui va jusqu'à l'appareil est la responsabilité de l'installateur. Branchez le la soupape d'admission un à tuyau rigide, à un tuyau de cuivre ou à un raccord métallique flexible approuvé conforme à la norme Z21.4/CSA 6.10. Si vous utilisez un boyau de gaz (non inclus), branchez le bout évasé du boyau au raccord, à l'extrémité la soupape d'admission,. Serrez à l'aide de deux clés (n'utilisez pas de scellant pour filetage ni de pâte à joint.) Soumettez tous les raccords à un test de détection de fuites avant d'utiliser l'appareil. Les tuyaux et soupapes en amont du dispositif de débranchement rapide ne sont pas fournis. Le tuyau d'alimentation en gaz doit être de taille adéquate pour fournir la quantité de BTU/h spécifiée sur la plaque d'homologation, en fonction de la longueur du tuyau. Le dispositif de débranchement rapide ne doit pas être installé en direction ascendante, et une soupape d'arrêt manuel doit être installée en amont du dispositif de débranchement rapide, aussi près de ce dernier que possible.

Purgez la ligne d'alimentation en gaz pour permettre à l'air emprisonné de s'échapper.



AVERTISSEMENT!

- L'installation doit être effectuée par un installateur certifié pour le gaz et tous les raccordements doivent être testés pour des fuites avant de faire fonctionner le appareil.
- Assurez-vous que tous les raccordements de boyaux sont serrés à l'aide de deux clés. N'utilisez pas de ruban de Téflon ou de composé pour raccord de tuyau sur les raccordements.
- Placez le tuyau hors des endroits où il risque d'être endommagé de façon accidentelle et hors des voies de passage pour éviter que les gens trébuchent.
- Vérifiez pour des fuites de gaz en appliquant une solution d'eau savonneuse selon les instructions de détection de fuites dans de manuel.
- Assurez-vous que le boyau ne touche à aucune surface à haute température sinon il risque de fondre, de provoquer une fuite et causer un feu.

Finitions

Installation Des Braises Vitriifiées



AVERTISSEMENT! N'utilisez pas le Patioflame sans les braises vitriifiées.

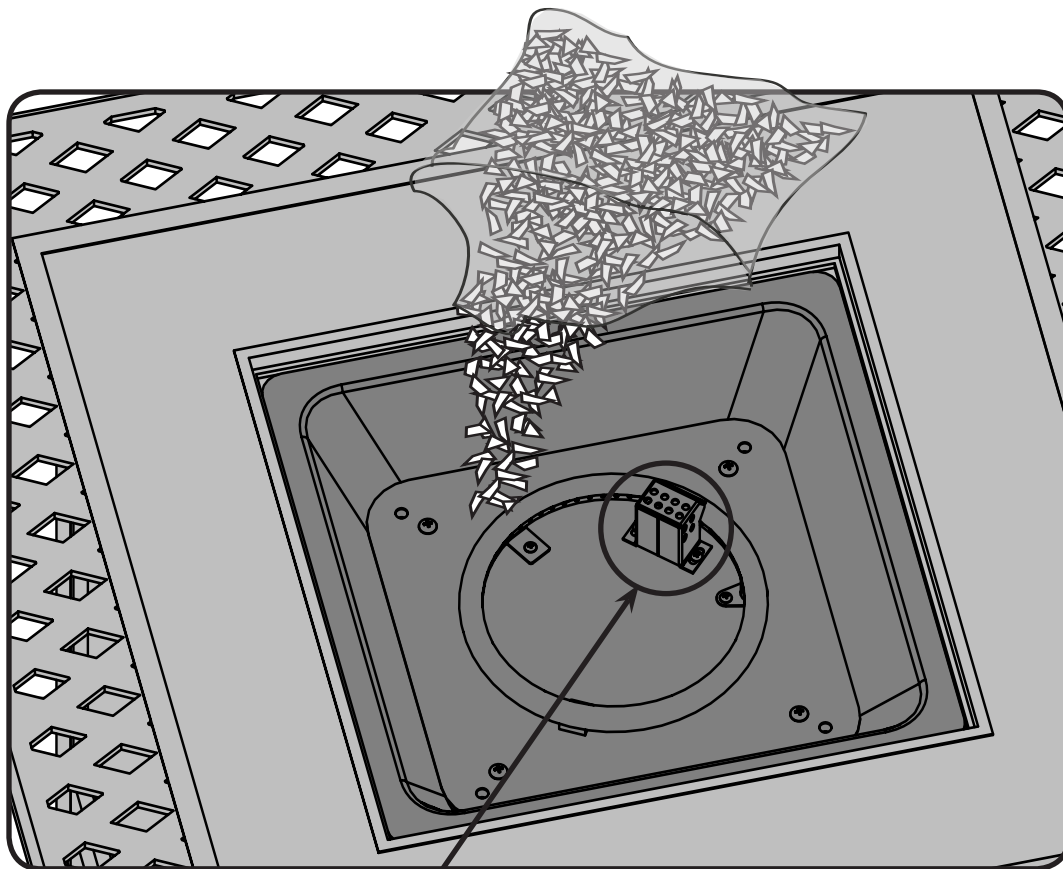


AVERTISSEMENT! Il est possible que les braises vitriifiées soient coupantes, portez donc des lunettes de sécurité et des gants protecteurs pour les manipuler. Ne pas changer ou substituer les braises vitriifiées fournies avec cet appareil. Si vous les remplacez, utilisez seulement des braises vitriifiées disponibles chez votre détaillant local autorisé.



AVERTISSEMENT! Il est possible qu'un film huileux recouvre les braises. Avant de les disposer dans le plateau, nettoyez les braises avec un savon à vaisselle doux, égouttez-les, rincez-les à fond et laissez-les sécher.

1. Versez soigneusement les braises de verre dans le plateau, comme illustré.
2. Répartissez les braises de verre sur le plateau et le brûleur. La répartition des braises sur le brûleur influencera la hauteur de la flamme.
3. Les braises vitriifiées doivent couvrir la tout du plateau du brûleur tout en s'assurant qu'il n'y ait pas de verre sur la section d'allumage du brûleur comme illustré ci-dessous.



ASSUREZ-VOUS QU'AUCUN MORCEAUX DE BRAISES VITRIIFEÉS N'OBSTRUE L'OUVERTURE DES PORTS DE L'ALLUMEUR ET D'IGNITION DU BRÛLEUR, PEUT CAUSER DES DIFFICULTÉS LORS DE L'ALLUMAGE.

Test De Détection De Fuites



AVERTISSEMENT! Il doit être fait avant la première utilisation, annuellement et à chaque fois qu'une pièce du système de gaz est remplacée ou réparée



AVERTISSEMENT! N'utilisez pas une flamme nue pour vérifier pour des fuites de gaz. Assurez-vous qu'il n'y ait aucune étincelle ni flamme nue à proximité de l'endroit à vérifier. Les étincelles ou les flammes nues provoqueront un feu ou une explosion, causant des dommages matériels, des blessures graves ou des pertes de vie.



Test De Fuites: Il doit être fait avant la première utilisation, annuellement et à chaque fois qu'une pièce du système de gaz est remplacée ou réparée. Ne fumez pas et enlevez toutes sources d'allumage lorsque vous faites ce test. Consultez le schéma de test de fuites pour voir les endroits à tester.

1 - Fermez tous les boutons des brûleurs. Ouvrez la soupape de la bonbonne.



2 - Appliquez une solution de deux parts égales de savon liquide et d'eau sur tous les joints du régulateur, le tuyau et ses raccords.

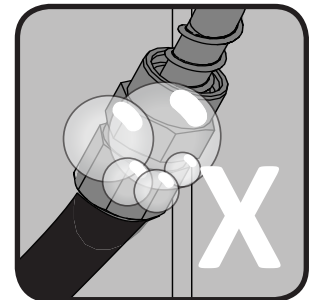
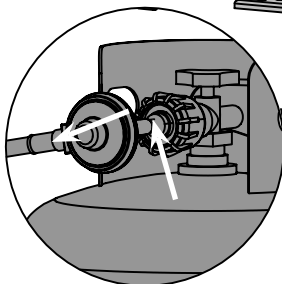
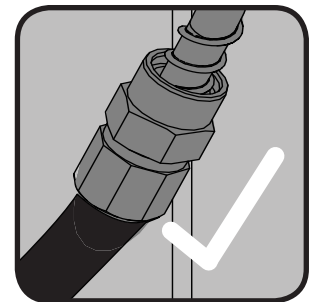
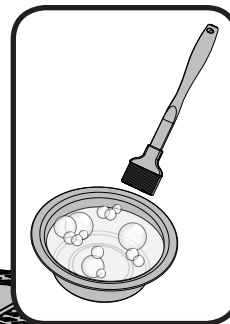
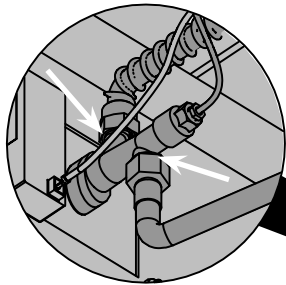
3 - Des bulles indiqueront une fuite de gaz. Resserrez le joint ou remplacez la pièce avec une autre recommandée par le détaillant.



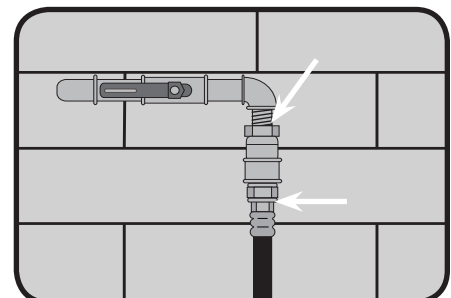
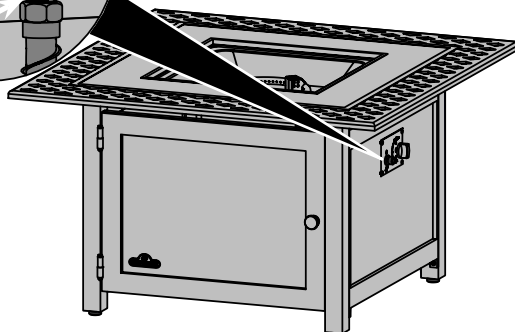
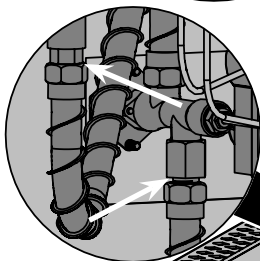
4 - Si la fuite ne peut être réparée, **fermez l'alimentation de gaz à la bonbonne**, enlevez-la et faites inspecter votre l'appareil par votre fournisseur de gaz ou détaillant. N'utilisez pas l'appareil jusqu'à ce que la fuite soit réparée.

5 - Fermez la soupape de la bonbonne.

N'UTILISEZ PAS UNE FLAMME NUE.

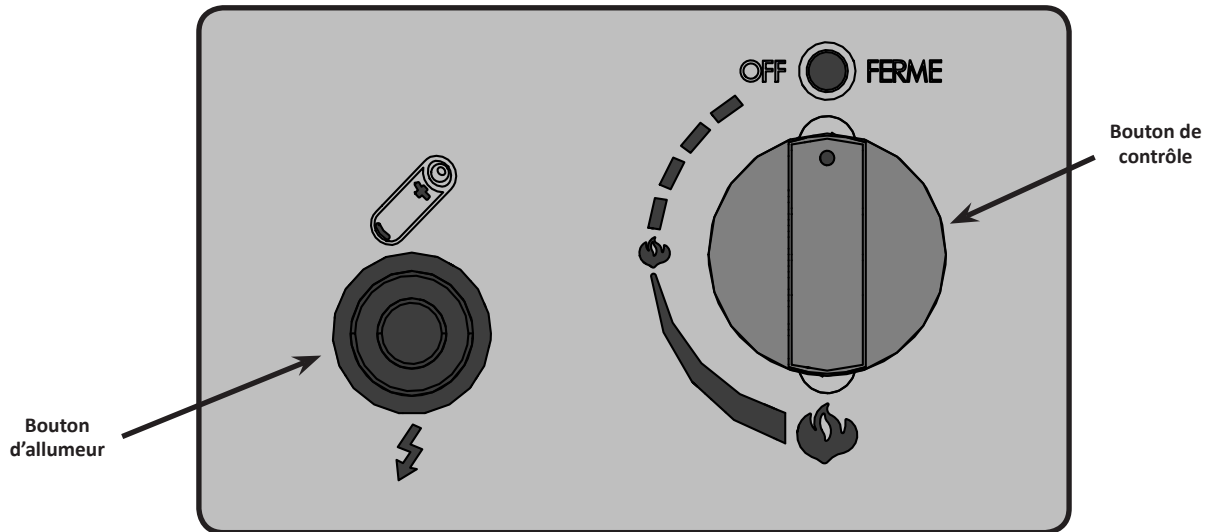


N'UTILISEZ PAS UNE FLAMME NUE.



Instruction D'allumage

FR



AVERTISSEMENT! Éloignez votre visage et votre corps du brûleur lors de l'allumage.

AVERTISSEMENT! Assurez-vous que les commandes du brûleur sont en position éteinte. Ouvrez doucement la soupape d'alimentation en gaz.

1. Appuyez sur le bouton d'allumage électronique (⚡) et maintenez-le enfoncé.

2. Tournez le bouton de contrôle du brûleur en position élevée, appuyez et maintenez enfoncé. Lorsque le brûleur s'allume, relâchez le bouton d'allumage électronique.

3. Continuez d'enfoncer le bouton de contrôle du brûleur pendant 30 secondes, puis relâchez. Si la flamme s'éteint, répétez la procédure.

4. Ajustez la flamme à la hauteur désirée à l'aide du bouton de contrôle du brûleur.

5. Si le brûleur ne s'allume pas à l'aide de l'allumeur électronique, tenez une longue allumette ou un long briquet au butane allumés près de la section d'allumage du brûleur et continuez à l'étape 2.

6. Pour éteindre le brûleur, tournez le bouton de contrôle vers la droite en position d'arrêt. Coupez ensuite l'alimentation en gaz à la source (soupape de la bonbonne de propane ou soupape d'alimentation en gaz naturel).



AVERTISSEMENT! La bonbonne de propane est équipée d'un limiteur de débit. Si le brûleur n'est pas éteint au moment d'ouvrir la soupape de la bonbonne, vous n'obtiendrez que de petites flammes et une faible chaleur.

AVERTISSEMENT! Si le brûleur ne s'allume pas en moins de 10 secondes, tournez le bouton de contrôle à 'off' et attendez 5 minutes pour permettre au surplus de gaz de se dissiper. Répétez les procédures.

Instructions D'opération



AVERTISSEMENT! N'utilisez jamais le l'appareil à des fins autres que celles prévues. Ne vous servez pas de l'appareil pour préparer de la nourriture.



AVERTISSEMENT! Afin de pouvoir éteindre le brûleur en toute sécurité, vous devez vous assurer d'avoir un accès facile et sans obstruction à la soupape « on/off » UNE FOIS que l'appareil est installé et branché à l'alimentation en gaz.

Éclairage initial: Lorsqu'il est allumé pour la première fois, le l'appareil dégagera une légère odeur. Ceci est un phénomène normal et temporaire causé par l'évaporation des peintures et lubrifiants internes utilisés dans le processus de fabrication et ne se reproduira plus. Allumez simplement les brûleurs de cuve à "high" pendant une demi-heure.



AVERTISSEMENT!

- Les adultes et plus particulièrement les enfants doivent être sensibilisés aux risques que représentent les surfaces exposées à des températures élevées. Ils doivent s'en tenir éloignés pour éviter de se brûler ou que leurs vêtements ne prennent feu.
- Surveillez toujours les jeunes enfants lorsqu'ils sont près de l'appareil.
- Les vêtements et autres matériaux combustibles ne doivent pas être suspendus à l'appareil ni posés sur l'appareil ou à proximité. Les températures au-dessus de l'appareil peuvent être extrêmement chaudes. Pour prévenir les brûlures et empêcher les vêtements de prendre feu, évitez les contacts directs avec ces surfaces métalliques.
- Les grillages et les dispositifs de sécurité enlevés pour faire l'entretien devront être remis en place avant d'utiliser l'appareil.
- L'installation et les réparations doivent être effectuées par un technicien de service qualifié. Cet appareil doit être inspecté avant la première utilisation et au moins une fois l'an par un technicien de service qualifié. Un entretien plus fréquent pourrait être nécessaire. Il est primordial de garder propres le boîtier de contrôle, les brûleurs et les passages d'air.



AVERTISSEMENT!

- N'utilisez jamais le l'appareil lorsqu'il pleut.
- Éteignez toujours le l'appareil lorsqu'il pleut.
- Ne versez jamais de liquide sur les braises de verre lorsque le l'appareil fonctionne.
- Ne tentez pas de toucher au braises verre, car celui-ci devient extrêmement chaud lorsque de l'appareil fonctionne.
- Assurez-vous que le l'appareil est toujours placé sur une surface solide et de niveau.
- N'utilisez pas le l'appareil si le brûleur est endommagé. Inspectez le brûleur avant chaque utilisation. Assurez-vous qu'il n'y ait pas de débris (feuilles, herbes ou autres objets) sur le l'appareil ou à l'intérieur de celui-ci. Si le brûleur est endommagé, remplacez-le par un brûleur approuvé par votre détaillant Napoléon avant d'utiliser le l'appareil.
- Inspectez l'ensemble de tuyau avant chaque utilisation. S'il y a des signes d'usure ou d'abrasion excessive, ou si le tuyau est endommagé, remplacez-le par un ensemble de tuyau approuvé par votre détaillant Napoléon avant d'utiliser le l'appareil.

NOTE! Le l'appareil est muni de plusieurs caractéristiques de sécurité, dont une soupape de sûreté. Si la flamme du brûleur s'éteint, l'alimentation en gaz du l'appareil sera automatiquement coupée.



AVERTISSEMENT! Toute modification apportée à cet appareil peut en compromettre la sécurité. Respectez tout particulièrement les consignes suivantes.

- Le thermocouple est un dispositif de sécurité. Ne le contournez pas.
- N'utilisez pas cet appareil si une partie quelconque a été submergée. Contactez immédiatement un technicien qualifié pour l'inspecter et pour remplacer toute pièce du système de contrôle et du contrôle du gaz qui aurait été submergée.



FR

Instructions D'entretien et de Nettoyage

AVERTISSEMENT! Il est possible que les braises vitrifiées soient coupantes, portez donc des lunettes de sécurité et des gants protecteurs pour les manipuler. Ne pas changer ou substituer les braises vitrifiées fournies avec cet appareil. Si vous les remplacez, utilisez seulement des braises vitrifiées disponibles chez votre détaillant local autorisé.

AVERTISSEMENT! Afin d'éviter les risques de brûlures, attendez que le l'appareil ait refroidi avant de procéder à l'entretien. Ne touchez pas aux surfaces chaudes sans protection adéquate. Assurez-vous que le brûleur est éteint. Avant de faire l'entretien du l'appareil, coupez l'alimentation en gaz à la source et débranchez-le. Nettoyez le l'appareil dans un endroit où les produits de nettoyage ne risquent pas d'endommager les terrasses, patios et pelouses. N'utilisez pas de nettoyeurs inflammables, corrosifs ou abrasifs.

Note : L'acier inoxydable a tendance à s'oxyder ou à tacher en présence de chlorures et de sulfures que l'on retrouve particulièrement dans les zones côtières ainsi que dans les environnements chauds et humides tels que les piscines et les spas. Ces taches peuvent être prises pour de la rouille mais il peuvent être facilement enlevées et même évitées. Afin de prévenir les taches, nettoyez toutes les surfaces en acier inoxydable et chrome toutes les trois à quatre semaines ou au besoin avec de l'eau douce et un nettoyeur à acier inoxydable.

Nettoyage Du Panneau De Contrôle : Le texte sur le panneau de contrôle est imprimé directement sur l'acier inoxydable. Avec un entretien adéquat, le texte demeurera toujours foncé et lisible. N'utilisez pas de détergents abrasifs (Ajax, Vim, Old Dutch etc.) pour nettoyer les surfaces en acier inoxydable, spécialement la partie imprimée du panneau de contrôle. Le texte disparaîtra graduellement si vous utilisez ces produits. Utilisez seulement le nettoyeur d'acier inoxydable Napoléon, disponible chez votre détaillant Napoléon.



AVERTISSEMENT! Boyau: Vérifiez l'usure, coupures, craquelures ou s'il est fondu. Si vous découvrez une de ces défauts, n'utilisez pas votre l'appareil. Faites remplacer la pièce par votre détaillant NAPOLEON ou par un installateur qualifié.

Nettoyage de l'intérieur du l'appareil: Lorsque vous nettoyez le l'appareil, assurez-vous que la zone autour du brûleur et de l'assemblage de la veilleuse demeure sèche en tout temps.



AVERTISSEMENT! Si, d'une manière ou d'une autre, le bouton de contrôle du gaz entre en contact avec de l'eau, vous devrez le remplacer avant de pouvoir utiliser de nouveau le l'appareil.

Brûleur : Le brûleur des faites d'acier inoxydable, mais la chaleur extrême et un milieu corrosif peuvent causer la formation de la rouille en surface. Vous pouvez l'enlever à l'aide d'une brosse en laiton. Au moins une fois par an, inspectez le brûleur pour des fissures, des nids d'insectes, de la corrosion excessive ou tout autre dommage. Si le brûleur est endommagé, il doit être remplacé par un brûleur approuvé par le fabricant avant que l'appareil soit utilisé.



ATTENTION! Méfiez-vous des araignées.

Les araignées et les insectes sont attirés par l'odeur du propane et du gaz naturel. Le volet d'air du brûleur est muni d'un grillage-moustiquaire, ce qui diminue la probabilité que des insectes fassent leur nid à l'intérieur du brûleur, mais n'élimine pas entièrement le problème. Un nid ou une toile entraînera le brûleur à produire une flamme lâche de couleur jaune ou orange, ou bien causera un retour de flamme au niveau du volet d'air sous le panneau de commande. Voici d'autres signes qui peuvent indiquer un problème :

- Le l'appareil émet une odeur forte ou inhabituelle.
- Difficulté ou retard continu lors de l'allumage.
- La flamme est très haute ou très basse.
- La flamme ne brûle que sur une partie du brûleur.
- Accumulation excessive de suie sur les braises de verre.

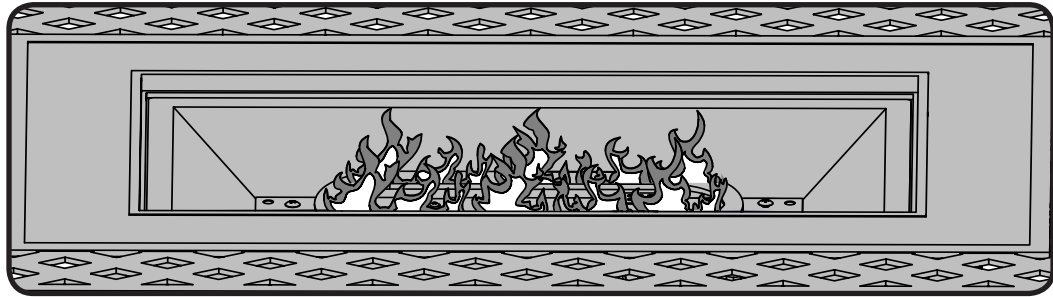
Pour nettoyer l'intérieur du brûleur, vous devez le retirer du le l'appareil. Enlevez les braises de verre et inspectez le brûleur. S'il est sale, nettoyez-le à l'aide d'une brosse métallique.

Nettoyage : Utilisez une brosse à venturi pour nettoyer l'intérieur du brûleur. Secouez le brûleur pour faire sortir les débris par l'orifice d'entrée du gaz. Vérifiez si les orifices du brûleur et l'injecteur sont bloqués.

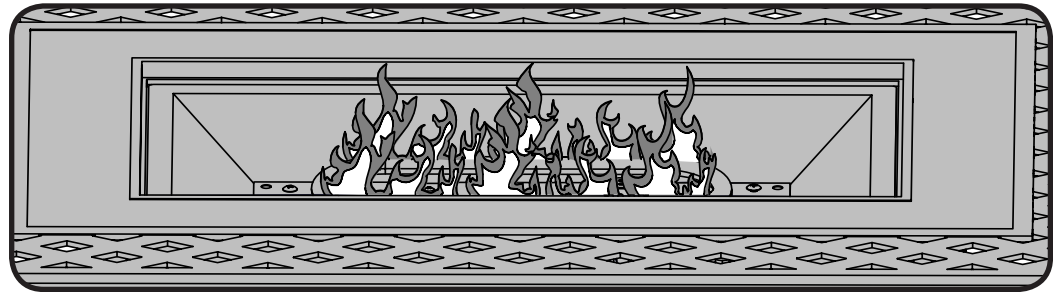
Les orifices du brûleur peuvent se boucher avec le temps à cause des débris ou de la corrosion. Utilisez un trombone déplié ou une mèche de perceuse pour les déboucher. Il est plus facile de nettoyer les orifices si le brûleur a été enlevé de l'appareil, mais il est aussi possible de le faire quand le brûleur est en place.

Réinstallation : Inversez la procédure pour réinstaller le brûleur. Vérifiez que le l'injecteur entre bien dans le brûleur lors de la réinstallation. Remplacez les braises de verre. Lors de la remise en service de l'appareil, comparez l'apparence de la flamme du brûleur à l'illustration ci-dessous.

NORMAL



ANORMAL



Nettoyage de la surface extérieure du le l'appareil : N'utilisez pas de produits nettoyants abrasifs ni de laine d'acier sur les pièces peintes ou en acier inoxydable de votre le l'appareil Napoléon. Vous égratignerez la surface. L'extérieur du le l'appareil doit être nettoyé à l'eau savonneuse tiède. Pour les surfaces en acier inoxydable, utilisez un nettoyant pour acier inoxydable ou un nettoyant non abrasif. Frottez toujours dans la direction du grain. Avec le temps, les pièces en acier inoxydable se décolorent à cause de la chaleur et prennent habituellement une teinte brune ou dorée. Cette décoloration est normale et n'affecte nullement le fonctionnement du le l'appareil.



AVERTISSEMENT! La zone autour du le l'appareil doit être dégagée et libre de matériaux combustibles, d'essence et autres vapeurs et liquides inflammables. Ne bloquez pas la circulation de l'air de combustion et de ventilation. Gardez l'ouverture de ventilation de l'enceinte de la bonbonne libre de débris.

Guide De Dépannage

FR

Problème	Causes possibles	Solutions
Faible chaleur/petite flamme lorsque le bouton de contrôle est à "high".	Pour le propane - procédure d'allumage incorrect. Pour le gaz naturel - tuyau d'alimentation trop petit.	Assurez-vous que la procédure d'allumage est suivie à la lettre. Tous les boutons de contrôle doivent être fermés lorsque vous ouvrez la soupape de la bonbonne. Tournez la soupape de la bonbonne lentement pour assurer l'équilibre de la pression. Voir les instructions d'allumage. La grosseur du tuyau doit être conforme au code d'installation.
Les flammes produites par les brûleurs sont jaunes et vous détectez une odeur de gaz.	Possibilité de toiles d'araignée ou autres débris.	Retirez le brûleur et nettoyez-le complètement. Consultez les instructions d'entretien.
Le brûleur ne s'allume pas avec l'allumeur mais s'allume avec une allumette.	La pile est déchargée ou installée incorrectement. Mauvais contact des fils de l'électrode et des terminaux. Mauvais écart du bout de l'électrode.	Remplacez la pile par une pile neuve. Vérifiez que les fils de l'électrode sont solidement enfoncés sur le terminal du module d'allumage. Vérifiez que les fils de raccordement du module au bouton d'allumeur sont solidement enfoncés sur chacun de leur terminal respectif. (si équipé) L'écart peut être corrigé en pliant ou en dépliant l'extrémité, jusqu'à ce qu'une étincelle se produise.
Le brûleur ne reste pas allumé lorsque le bouton de contrôle est relâché.	Le bouton ne reste pas enfoncé assez longtemps. Trop venteux.. Du verre ou des débris dans la section d'allumage du brûleur empêchent le thermocouple d'être recouvert complètement par la flamme. Le thermocouple ou le raccord du thermocouple est sale. Thermocouple ou soupape défectueux.	Le thermocouple doit avoir le temps de se réchauffer – tenez le bouton enfoncé pendant 30 secondes après l'allumage du brûleur, puis relâchez. L'appareil s'éteindra si le vent est plus fort que 10 mi/h (16 km/h). Déplacez-le à un endroit moins venteux ou utilisez-le quand il vente moins fort. Assurez-vous qu'il n'y a pas de verre ni de débris dans la section d'allumage et que le petit trou sous le thermocouple n'est pas obstrué. Nettoyez le thermocouple et la connexion entre la soupape et le thermocouple. Vérifiez que la connexion est bien serrée. Remplacez le thermocouple et/ou la soupape.
Le régulateur murmure lorsque l'appareil fonctionne.	Problème normal par temps chaud.	Ceci n'est pas un défaut. Le murmure est causé par une vibration à l'intérieur du régulateur et n'affecte en rien la performance et la sécurité du gril à gaz. Les régulateurs émettant un murmure ne seront pas remplacés.
Les contrôles sont réglés à "high" mais la chaleur générée par les brûleurs est trop basse.	Manque de gaz. Le tuyau d'alimentation en gaz est pincé. L'injecteur du brûleur est sale ou obstrué. Présence de toiles d'araignée ou autres débris dans le tube du venturi. Le régulateur de propane est en situation de "faible débit".	Vérifiez le niveau de propane dans la bonbonne. Remplacez le tuyau d'alimentation convenablement. Nettoyez l'injecteur du brûleur. Nettoyez le tube du venturi. Assurez-vous que la procédure d'allumage est suivie à la lettre. Tous les boutons de contrôle du gril doivent être fermés lorsque vous ouvrez la soupape de la bonbonne. Tournez la soupape de la bonbonne lentement pour assurer l'équilibre de la pression. Voir les instructions d'allumage.

GARDEZ VOTRE REÇU COMME PREUVE D'ACHAT POUR VALIDER VOTRE

Commande de pièces de rechange

Information sur la garantie

MODÈLE: _____

DATE D'ACHAT: _____

NUMÉRO DE SÉRIE: _____

FR

(Inscrivez l'information ici pour y avoir accès facilement.)

Pour commander des pièces de rechange ou faire une réclamation sous garantie, communiquez avec le détaillant Napoléon où le produit a été acheté.

Avant de contacter le détaillant Napoléon, consultez le site Web de Napoleon Grills pour obtenir plus d'informations sur le nettoyage, l'entretien, le dépannage et le remplacement des pièces à www.napoleongrills.com.

Pour qu'une réclamation soit traitée, l'information suivante est nécessaire :

1. Modèle et numéro de série de l'appareil.
2. Numéro de la pièce et description.
3. Description concise du problème (« cassé » n'est pas suffisant).
4. Preuve d'achat (copie de la facture).

Dans certains cas, Napoleon peut vous demander de retourner la pièce à des fins d'inspection avant de fournir une pièce de rechange.

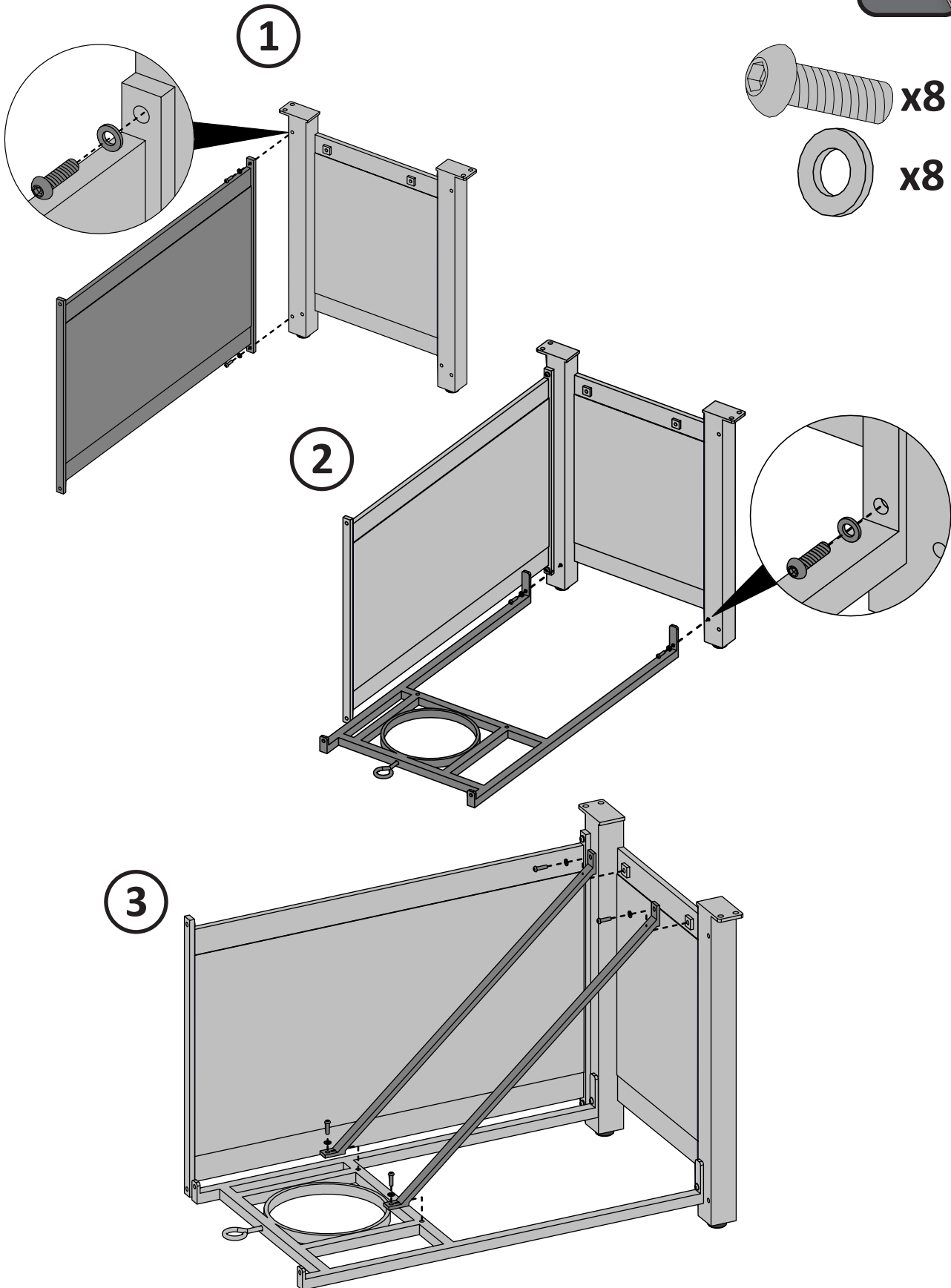
Avant de contacter le détaillant Napoléon, veuillez noter que la garantie ne couvre pas :

- coûts de transport, de courtage et frais d'exportation;
- coûts de main-d'oeuvre pour l'enlèvement et l'installation de la pièce;
- coûts des appels de service pour diagnostiquer le problème;
- décoloration des pièces en acier inoxydable;
- casse des pièces causée par un manque d'entretien et de nettoyage, ou par l'utilisation de nettoyeurs inappropriés (nettoyant à fourneau ou autres produits chimiques agressifs).

VICT1

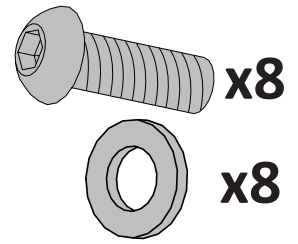
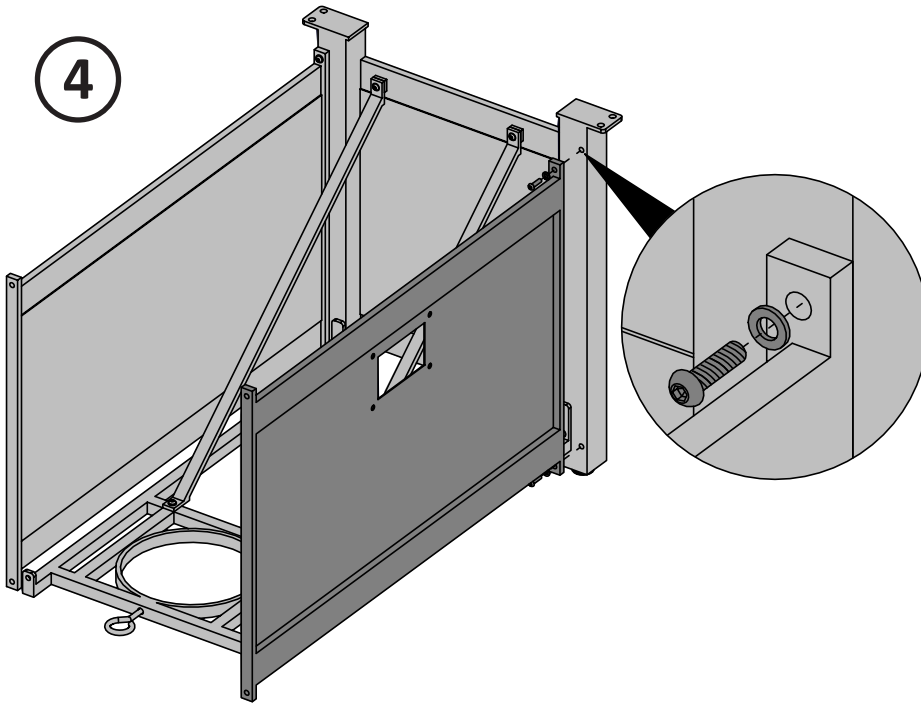


FR



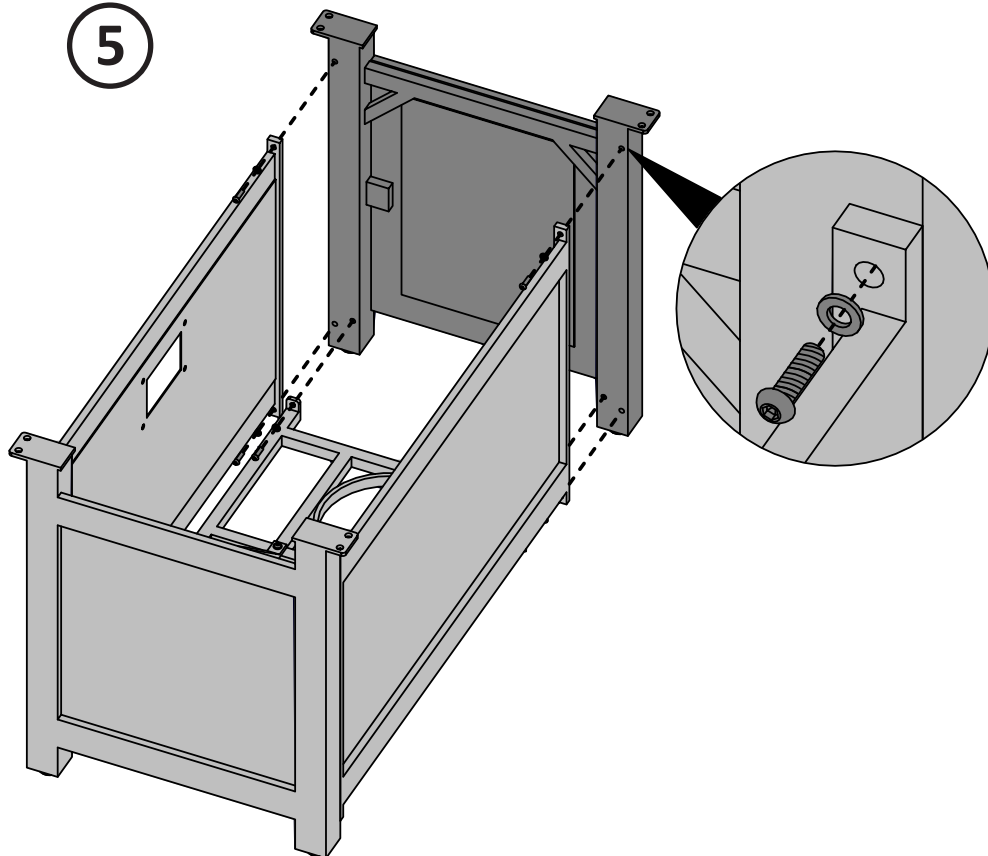


4



FR

5

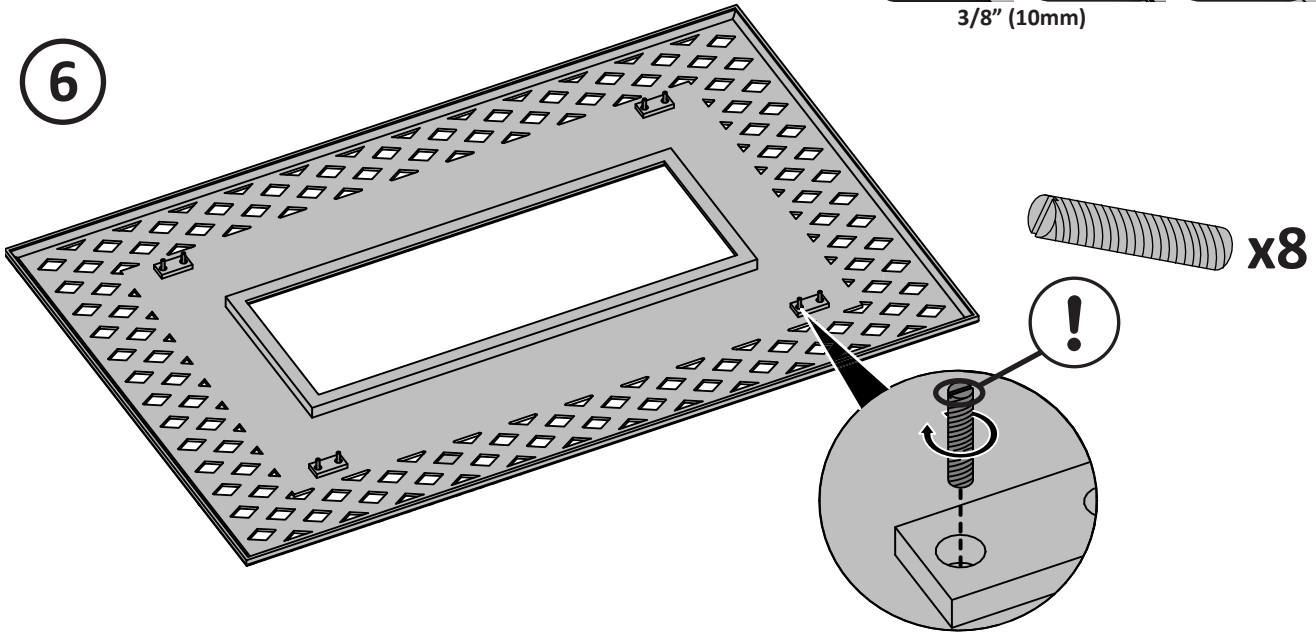




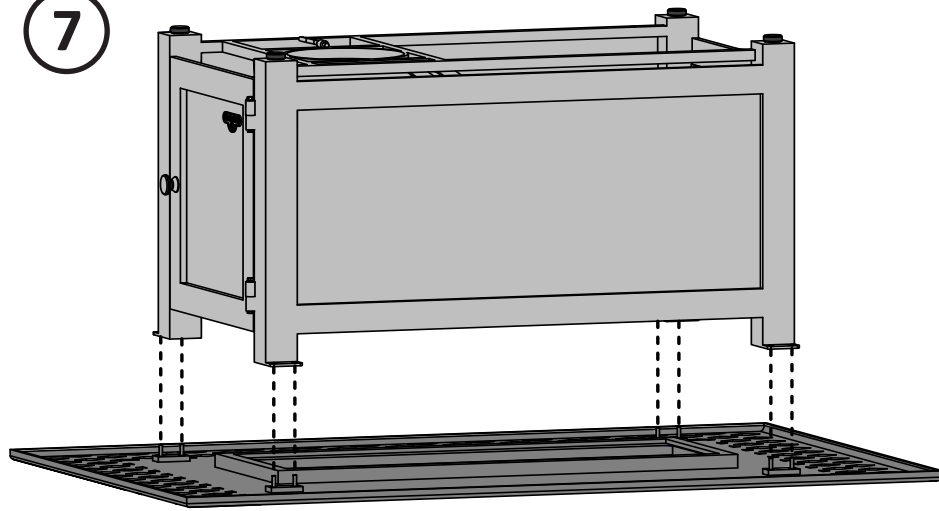
3/8" (10mm)

6

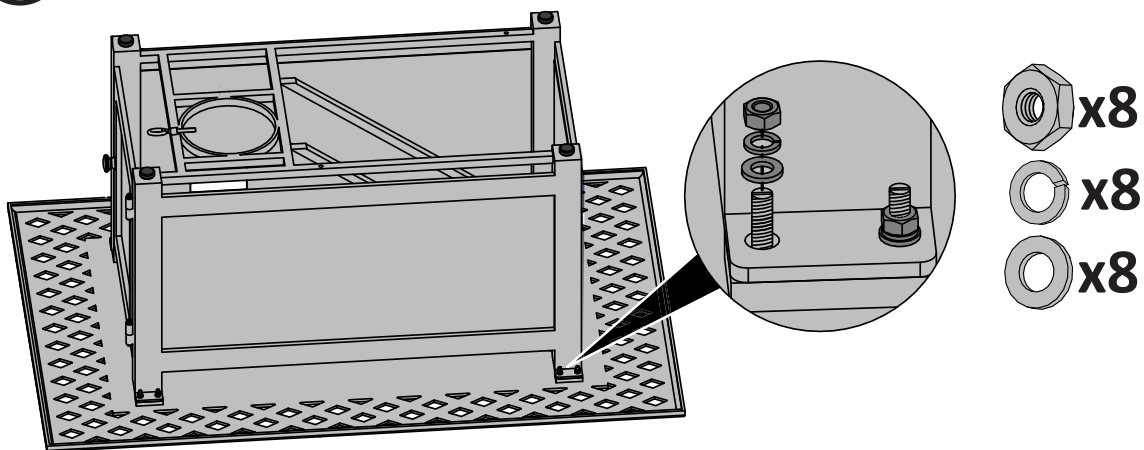
FR



7

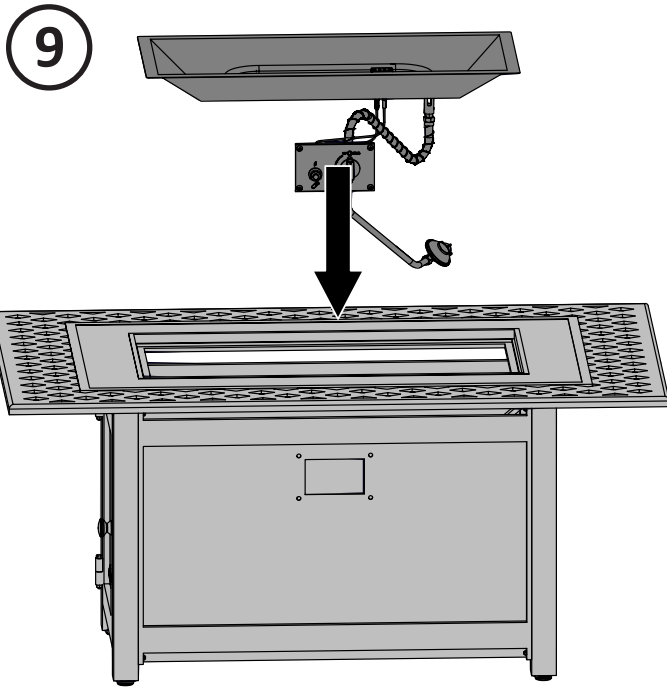


8

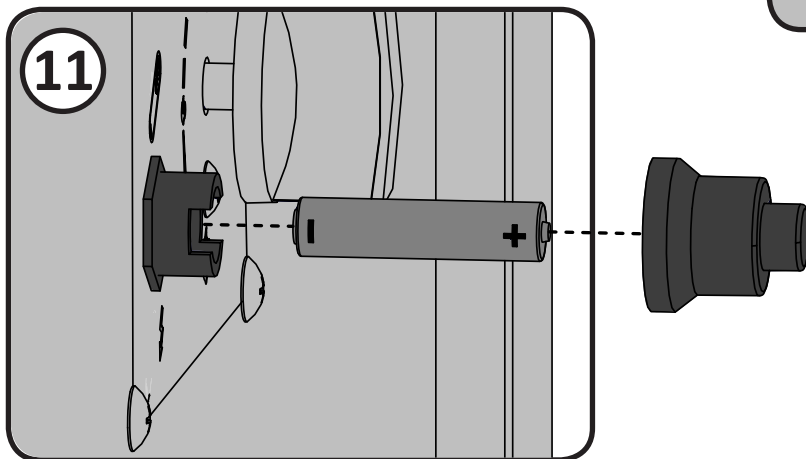
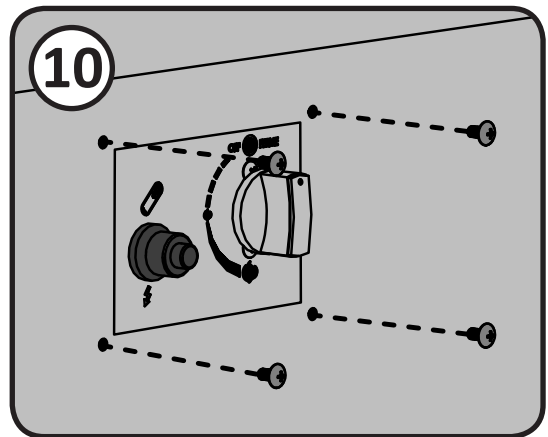


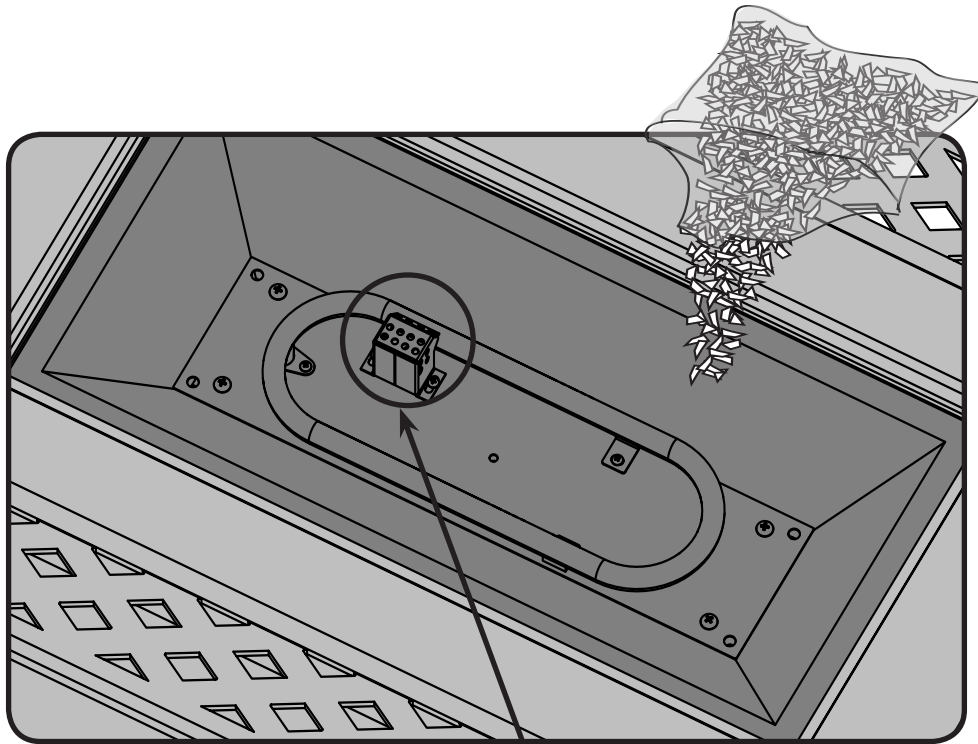


FR



N570-0094 (M5 x 10mm)

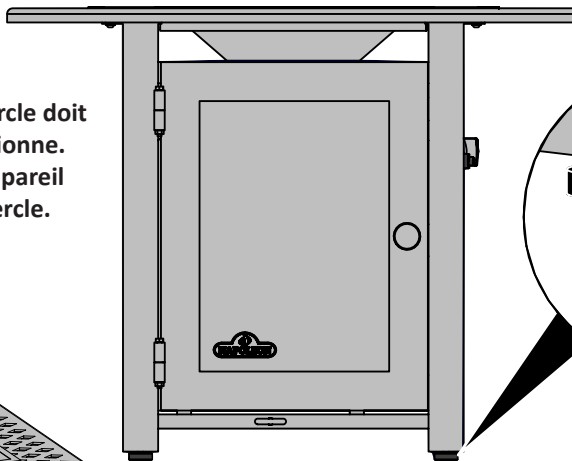
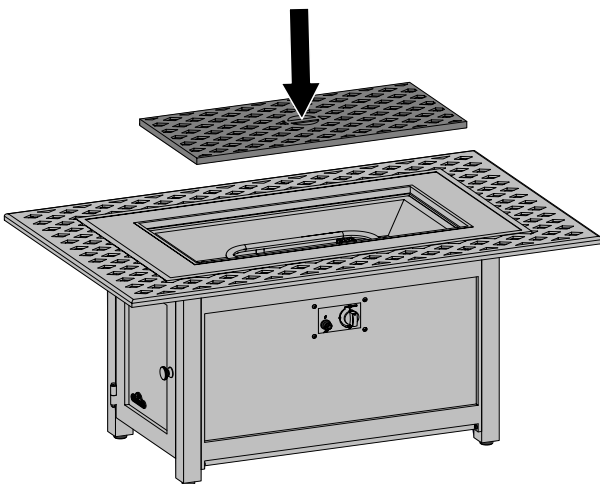




ASSUREZ-VOUS QU'AUUCUN MORCEAUX DE BRAISES VITRIFÉES N'OBSTRUE L'OUVERTURE DES PORTS DE L'ALLUMEUR ET D'IGNITION DU BRÛLEUR, PEUT CAUSER DES DIFFICULTÉS LORS DE L'ALLUMAGE.

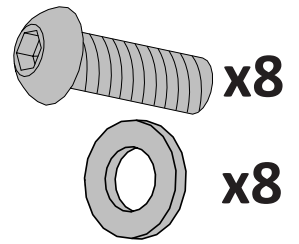
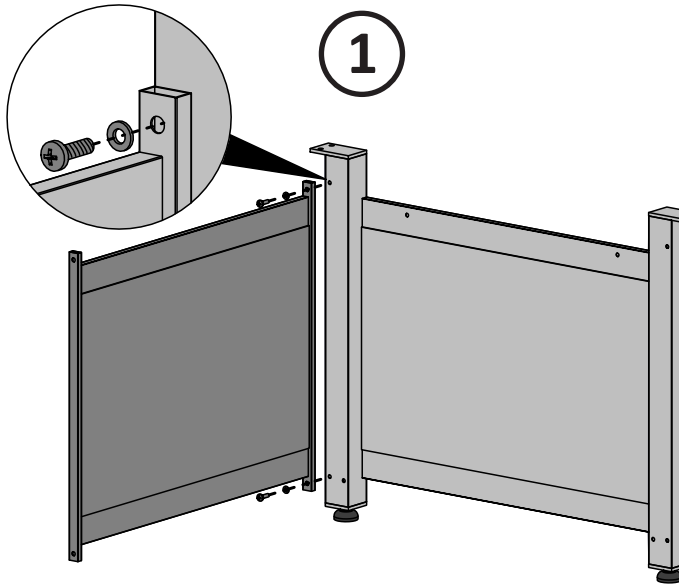


AVERTISSEMENT! Le couvercle doit être enlevé lorsque le brûleur fonctionne. Après l'utilisation, attendez que l'appareil refroidisse avant d'installer le couvercle.

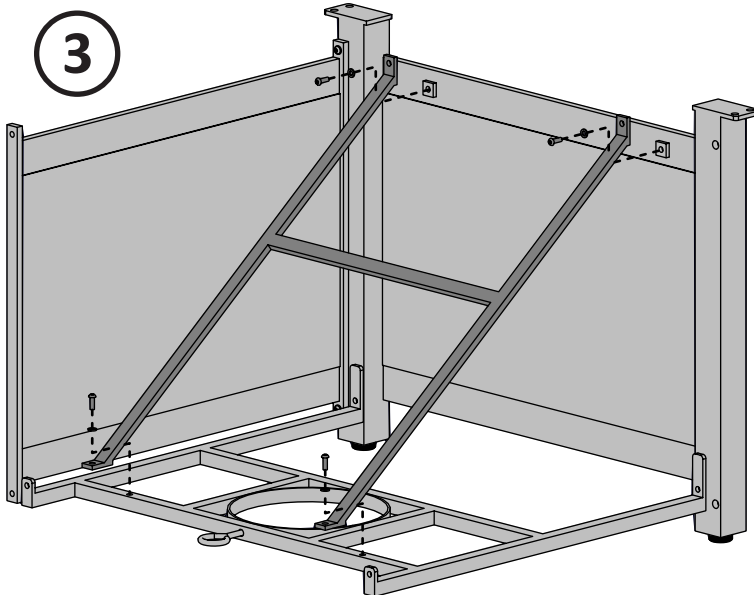
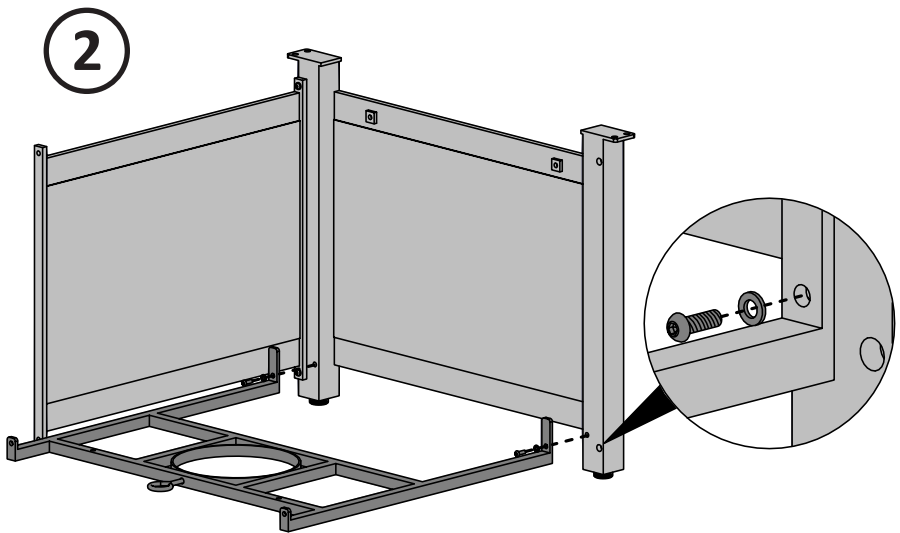


Les surfaces de table sont peintes à la main. La variation dans les coups de pinceau rehausse la beauté naturelle de ce produit.

VICT2



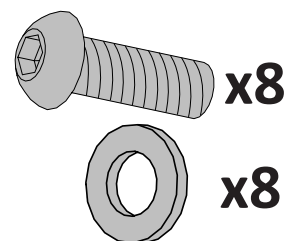
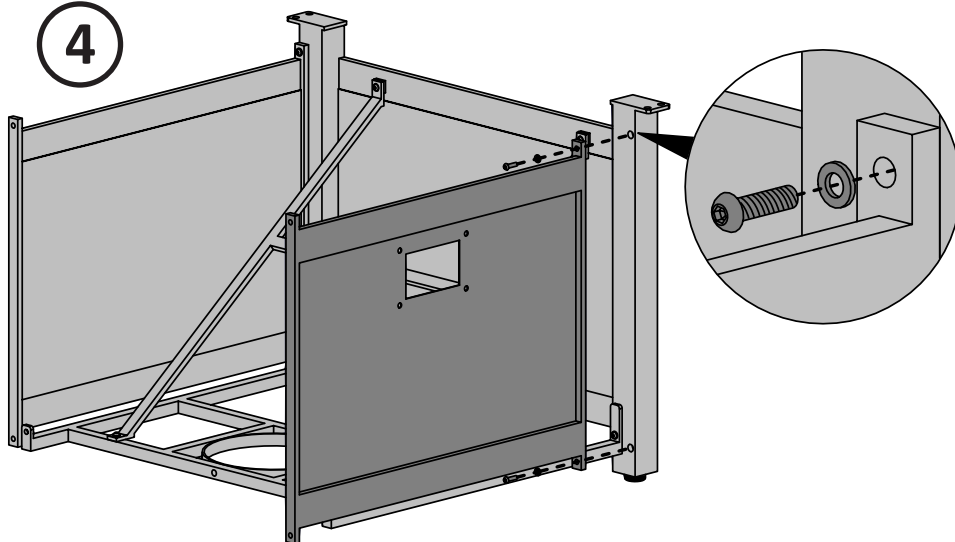
FR



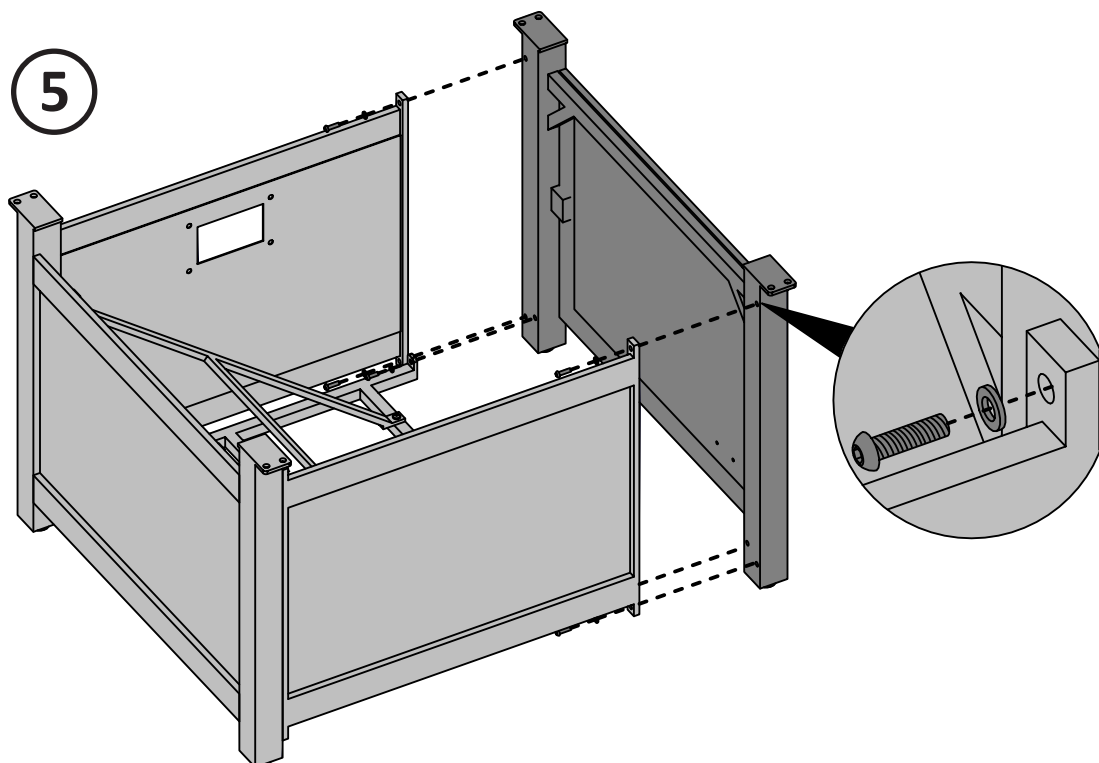


FR

4



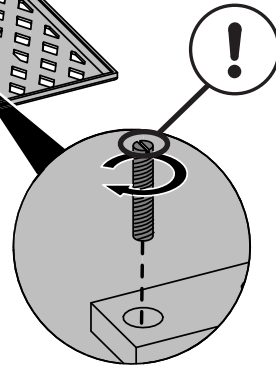
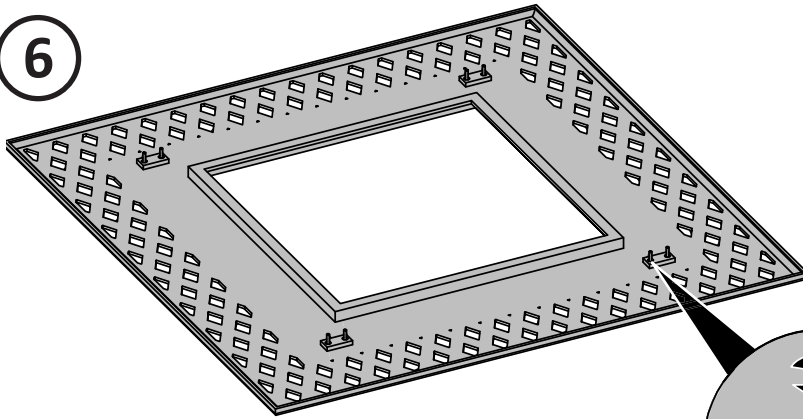
5





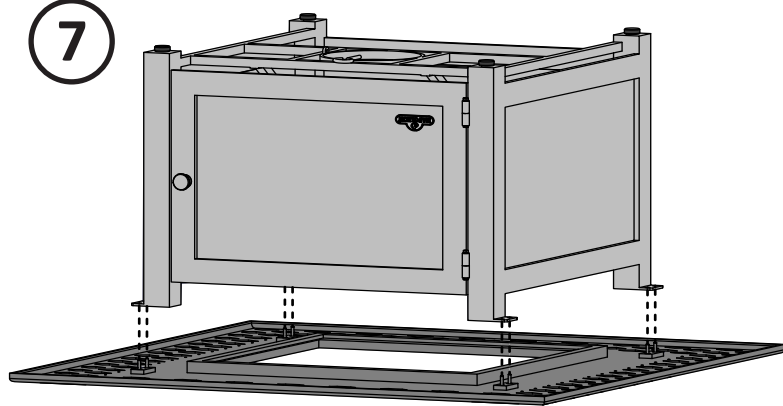
3/8" (10mm)

6

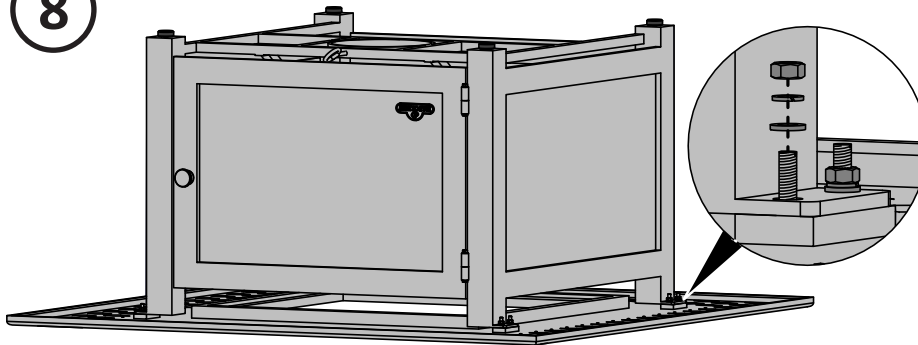


x8

7



8



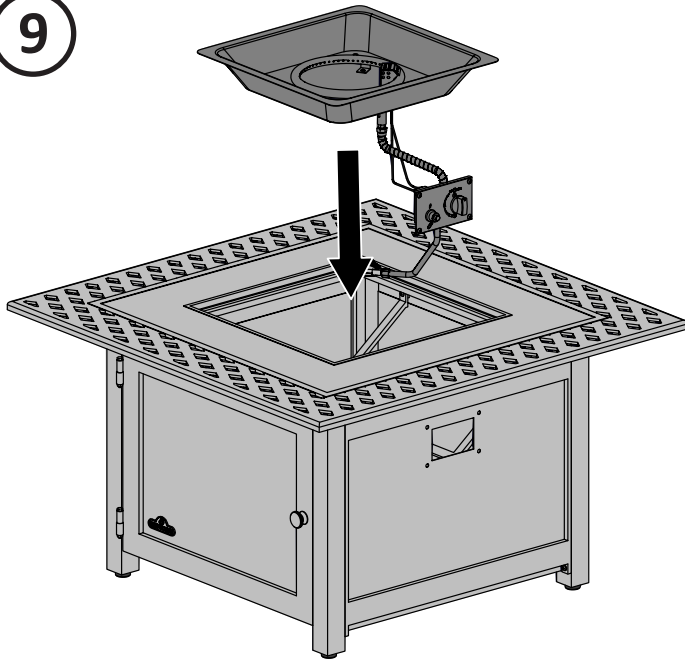
x8

x8

x8



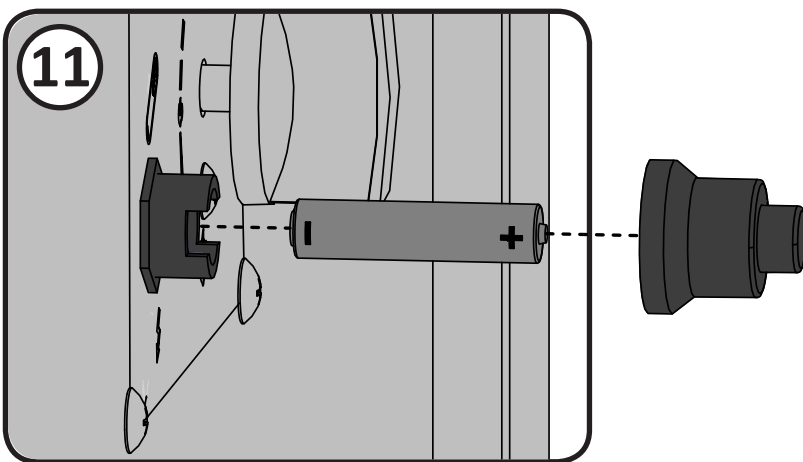
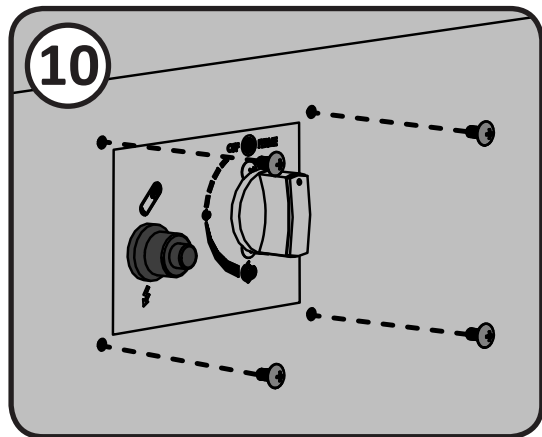
9

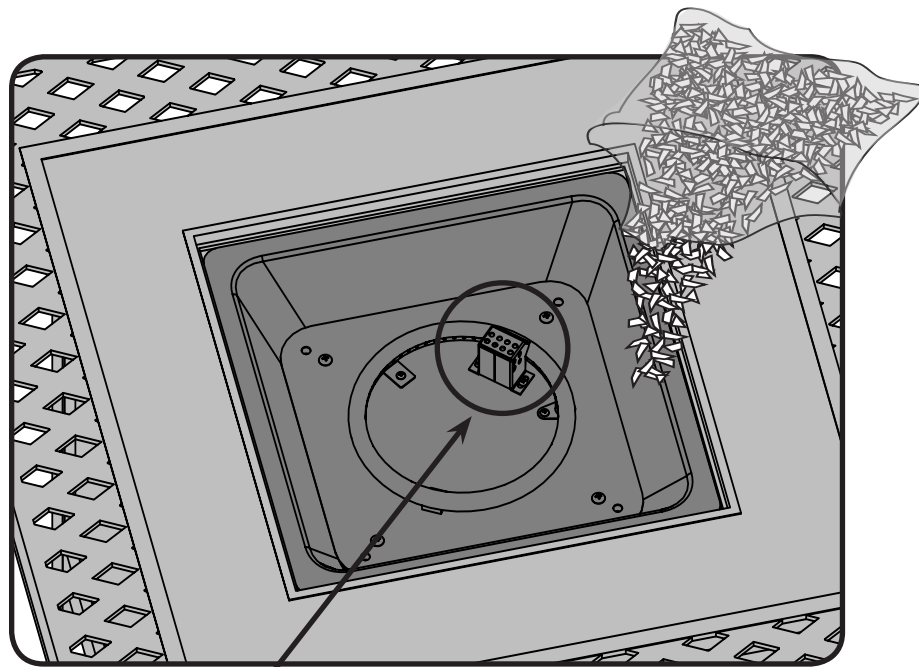


FR



N570-0094 (M5 x 10mm)

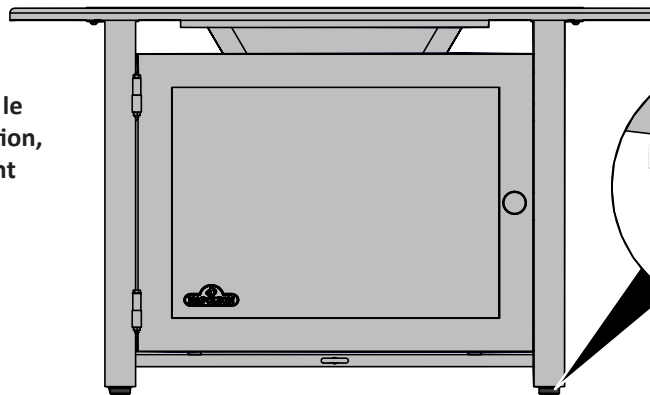
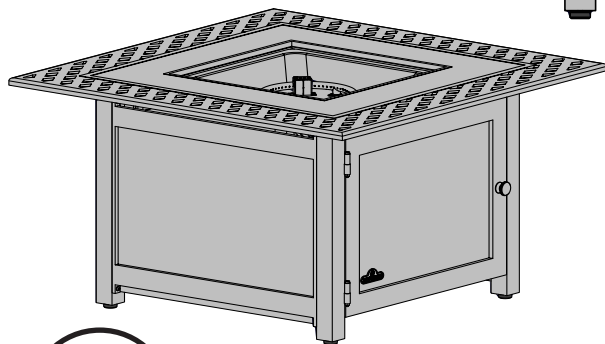
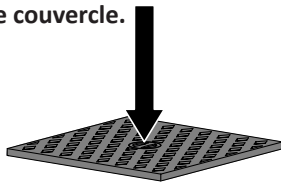




ASSUREZ-VOUS QU'AUUCUN MORCEAUX DE BRAISES VITRIFÉES N'OBSTRUE L'OUVERTURE DES PORTS DE L'ALLUMEUR ET D'IGNITION DU BRÛLEUR, PEUT CAUSER DES DIFFICULTÉS LORS DE L'ALLUMAGE.

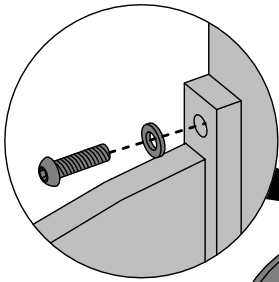


AVERTISSEMENT! Le couvercle doit être enlevé lorsque le brûleur fonctionne. Après l'utilisation, attendez que l'appareil refroidisse avant d'installer le couvercle.

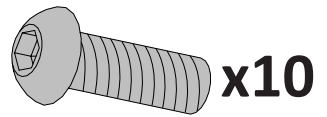
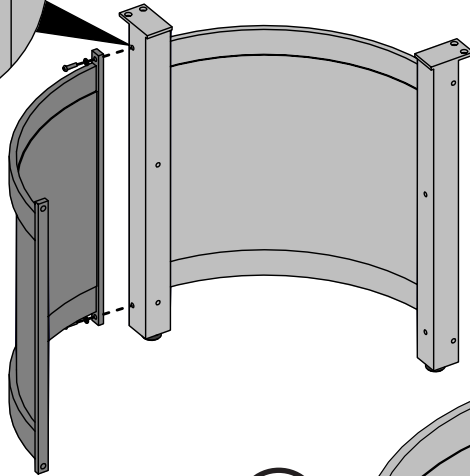


Les surfaces de table sont peintes à la main. La variation dans les coups de pinceau rehausse la beauté naturelle de ce produit.

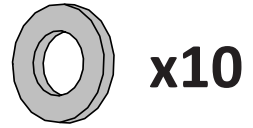
VICT3



1

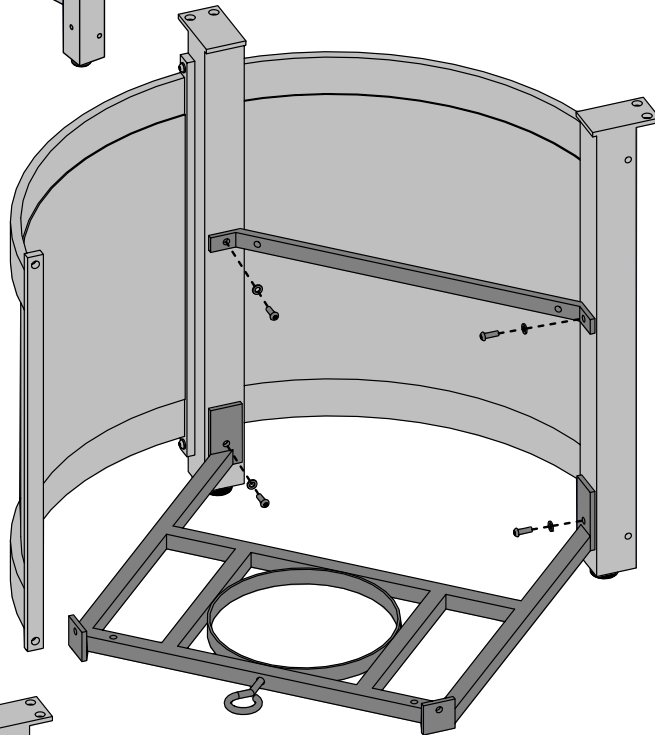


x10

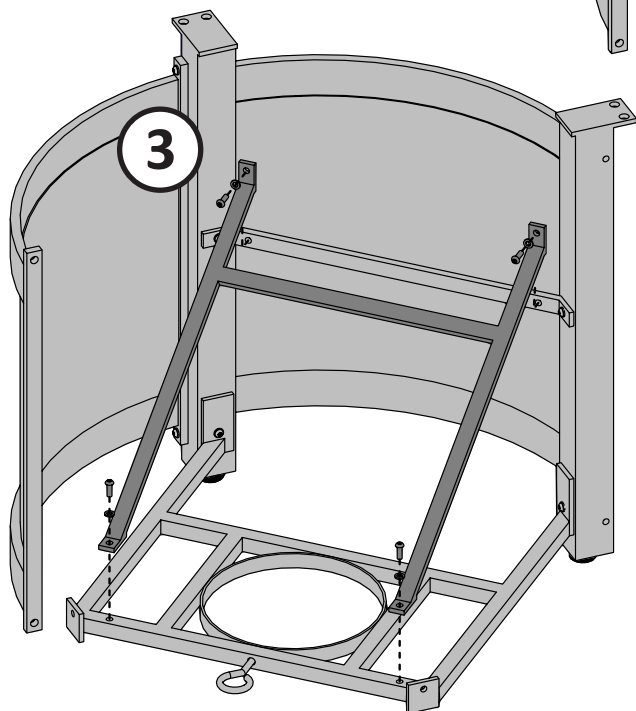


x10

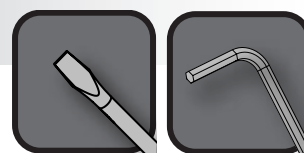
2



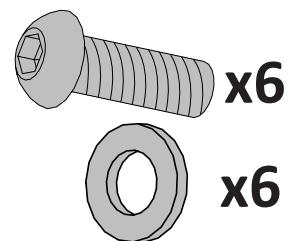
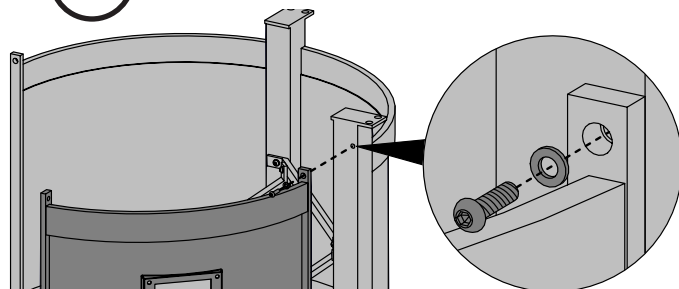
3



FR

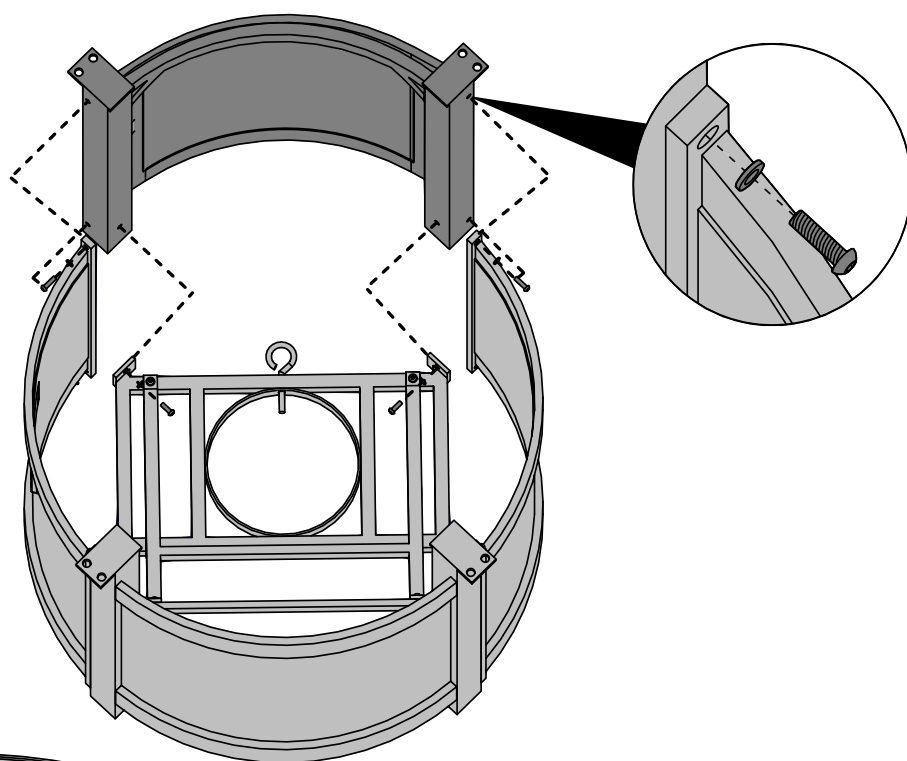


4

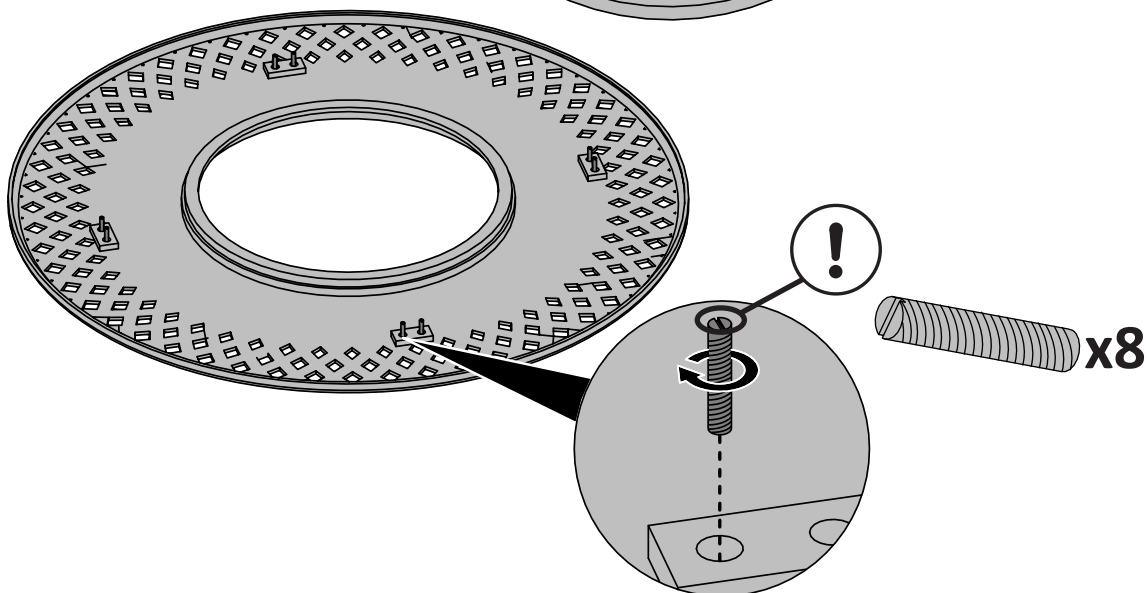


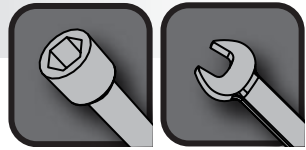
FR

5



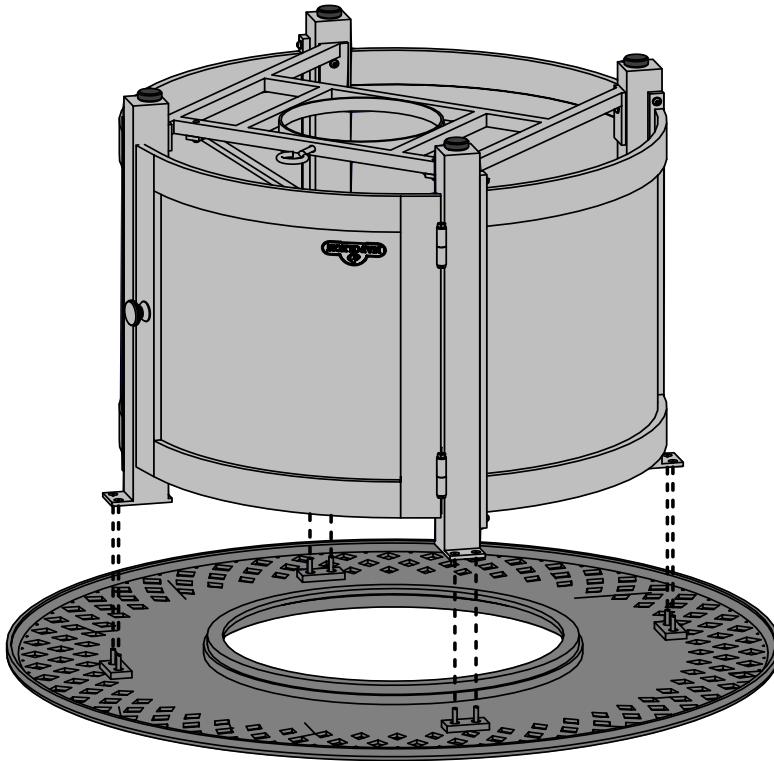
6





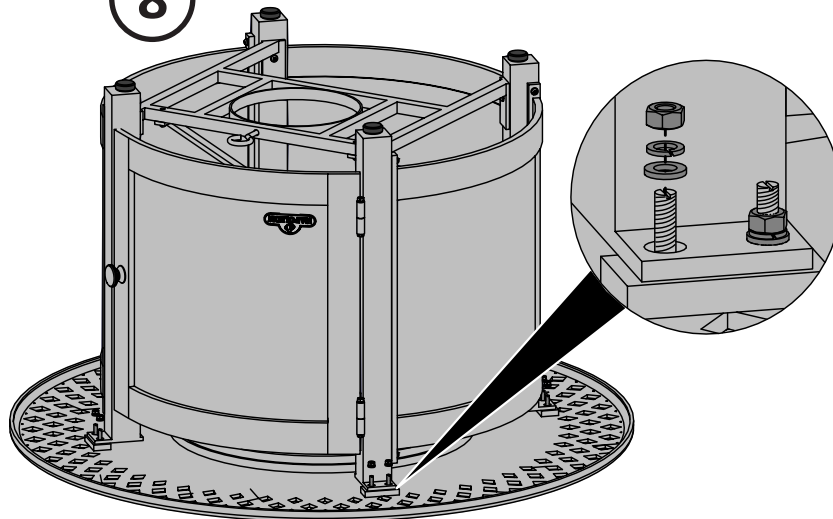
3/8" (10mm)

7



FR

8



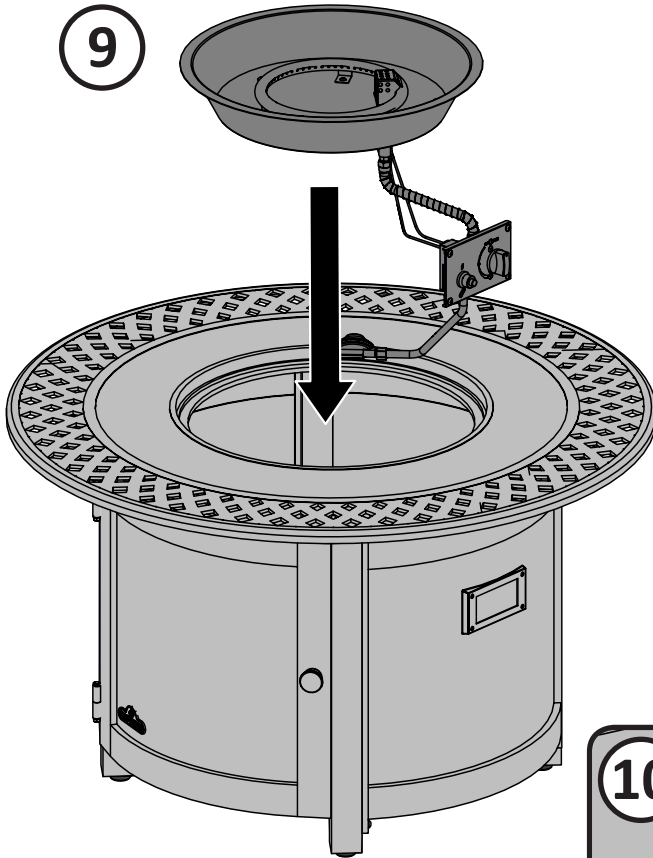
 x8

 x8

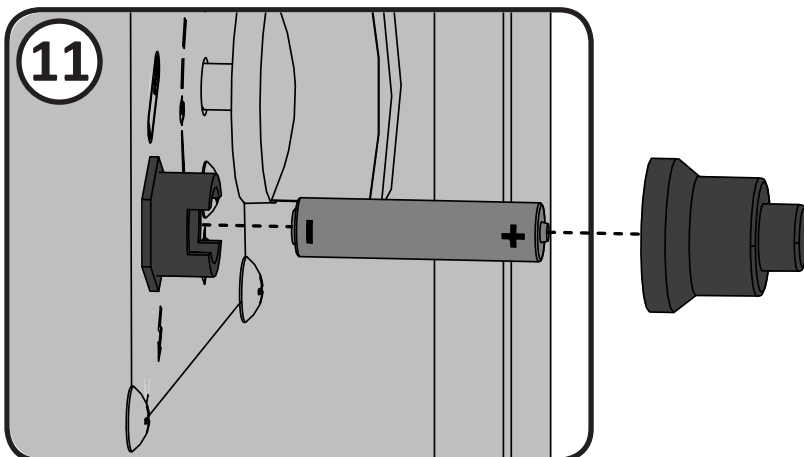
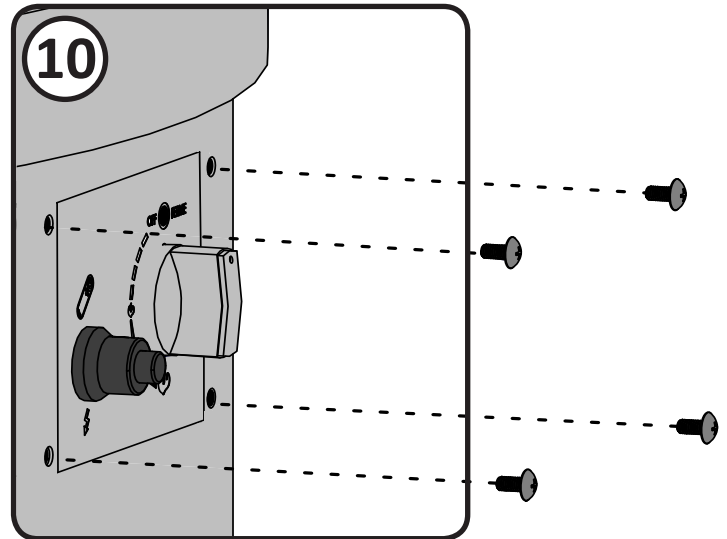
 x8

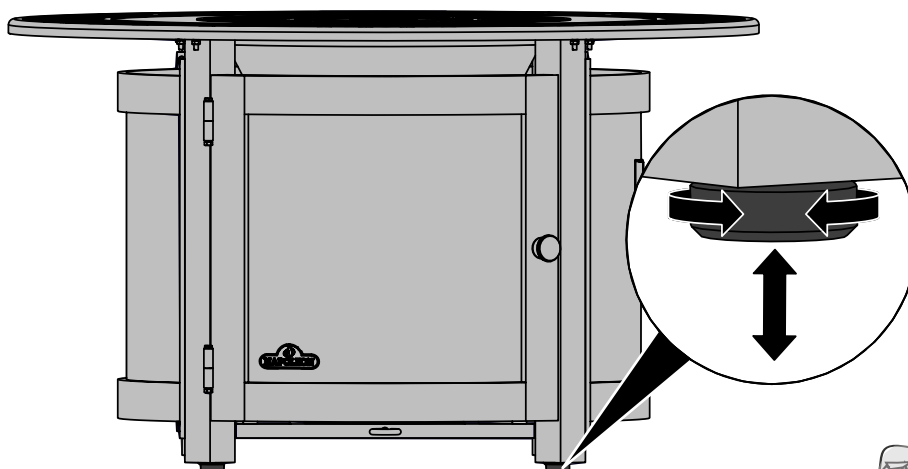


FR

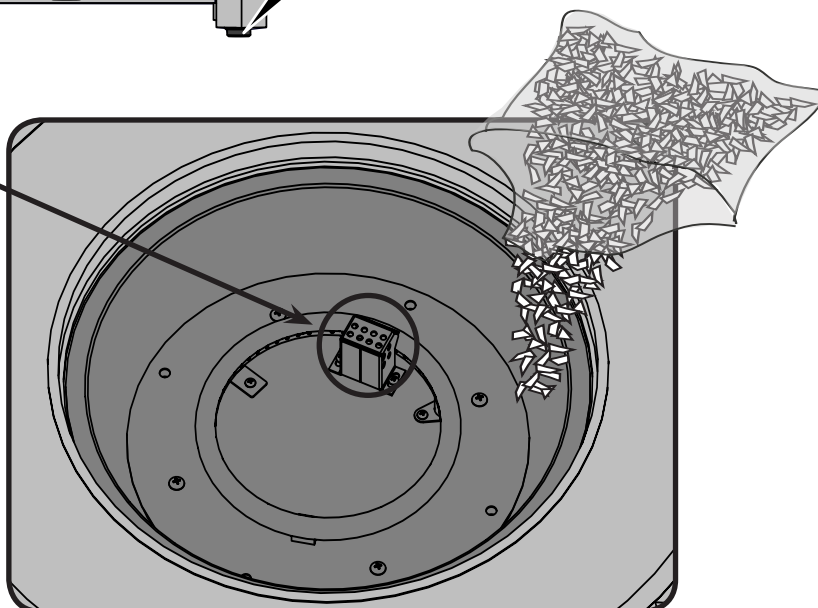


x4
N570-0094 (M5 x 10mm)

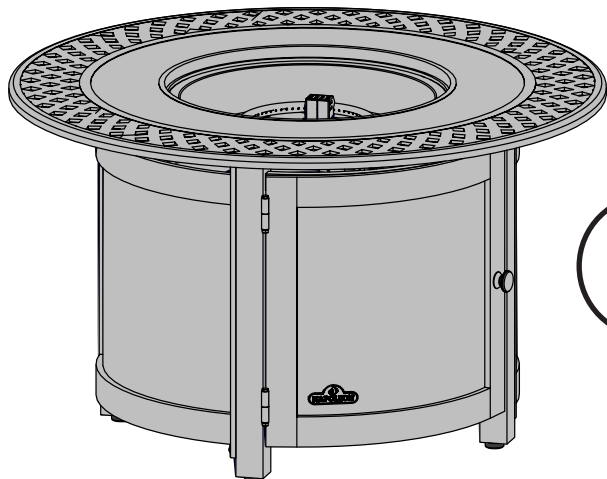




ASSUREZ-VOUS QU'AUCUN MORCEAUX DE BRAISES VITRIFÉES N'OBSTRUE L'OUVERTURE DES PORTS DE L'ALLUMEUR ET D'IGNITION DU BRÛLEUR, PEUT CAUSER DES DIFFICULTÉS LORS DE L'ALLUMAGE.



AVERTISSEMENT! Le couvercle doit être enlevé lorsque le brûleur fonctionne. Après l'utilisation, attendez que l'appareil refroidisse avant d'installer le couvercle.



Les surfaces de table sont peintes à la main. La variation dans les coups de pinceau rehausse la beauté naturelle de ce produit.

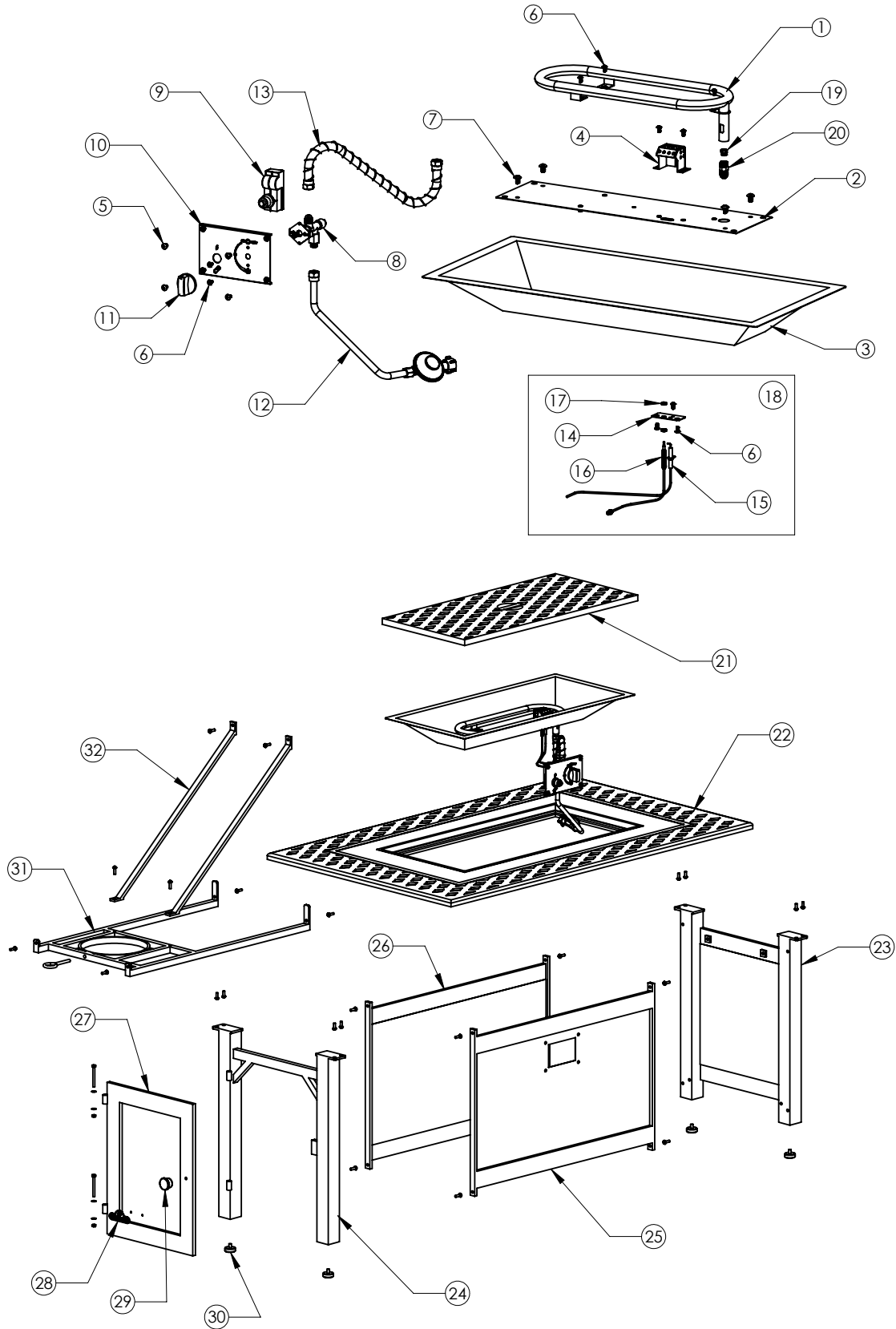
LISTE DES PIÈCES VICT1

Article	N° de pièce	Description	x
1	N100-0055	brûleur	x
2	N500-0064	brûleur plaque	x
3	N710-0099	brûleur cuvette	x
4	N585-0109	brûleur protecteur	x
5	N570-0094	vis M5 x 10mm	x
6	Z570-0032	vis M4 x 10mm	x
7	Z570-0024	vis M6 x 12mm	x
8	N725-0061	soupape brûleur	p
9	N357-0013	allumeur (AAA 1, 5V pile non incluse)	x
10	N500-0061	panneau de contrôle	x
11	N380-0033	bouton de contrôle	x
12	N530-0003	ensemble de tuyau de régulateur	p
13	N720-0076	flex connector	x
14	N500-0062	support de la électrode	x
15	N240-0039	électrode	x
16	N680-0001-SER	thermocouple	x
17	N735-0024	rondelle M8	x
18	N010-0910	ensemble électrode	x
19	N455-0086	injecteur de brûleur propane 1.95mm	p
	N455-0087	injecteur de brûleur naturel #32	n
20	N255-0065	raccord	x
21	N335-0091-BZ4AQ	couvercle	x
22	N705-0040-BZ4AQ	table haut	x
23	N475-0409-BZ4AQ	panneau pour arrière	x
24	N010-0900-BZ4AQ	ensemble frame	x
25	N475-0408-BZ4AQ	panneau pour droite	x
26	N475-0407-BZ4AQ	panneau pour gauche	x
27	N225-0060-BZ4AQ	de porte	x
28	N385-0307-SER	napoleon logo	x
29	N325-0096	poignée de porte	x
30	N570-0119	mise à niveau du pied	x
31	N080-0394-BZ4AQ	support de la bonbonne	x
32	N655-0193-BZ4AQ	support de la bonbonne	x
	N020-0175	sac de quincaillerie	x
	N300-0002	glass embers topaz (2per)	x
	GPFRE-WNDSCRN	défecteur en verre	ac
	mega	braises vitrifiées - ambre 1lb	ac
	megb	braises vitrifiées - bleu 1lb	ac
	megk	braises vitrifiées - noir 1lb	ac
	megr	braises vitrifiées - rouge 1lb	ac
	mkga	braises vitrifiées - ambre 5lb	ac
	mkgc	braises vitrifiées - claire 5lb	ac
	mkgk	braises vitrifiées - noir 5lb	ac
	mkgb	braises vitrifiées - bleu 5lb	ac
	mkgr	braises vitrifiées - rouge 5lb	ac
	68853	optionale tablette couvercle	ac

p - appareils propane seulement n - appareils gaz naturel seulement
x - compris ac - accessoires

DIAGRAMME DE PIÈCES VICT1

FR



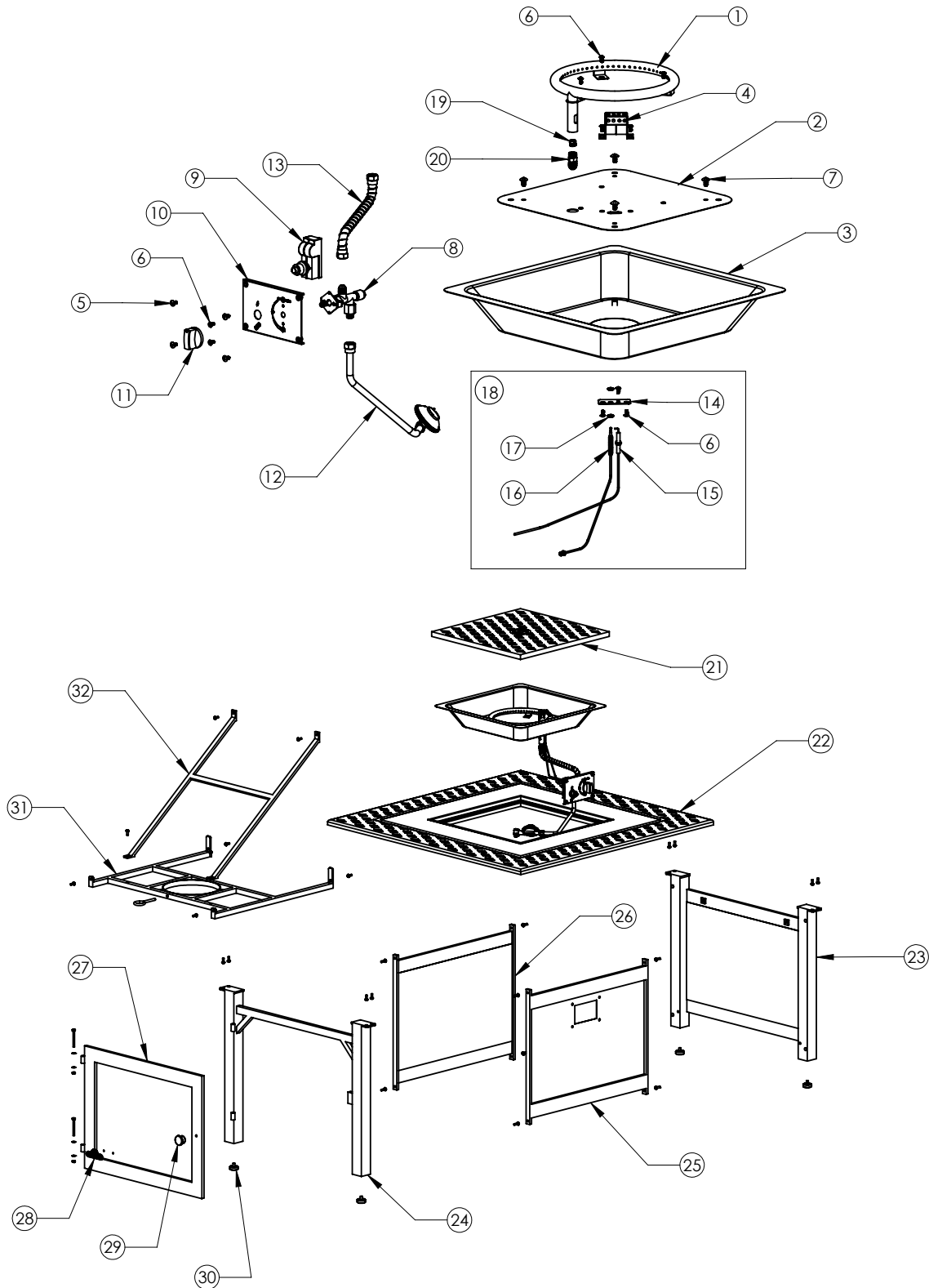
LISTE DES PIÈCES VICT2

Article	N° de pièce	Description	x
1	N100-0054	brûleur	x
2	N500-0063	brûleur plaque	x
3	N710-0098	brûleur cuvette	x
4	N585-0109	brûleur protecteur	x
5	N570-0094	vis M5 x 10mm	x
6	Z570-0032	vis M4 x 10mm	x
7	Z570-0024	vis M6 x 12mm	x
8	N725-0061	soupape brûleur	p
9	N357-0013	allumeur (AAA 1, 5V pile non incluse)	x
10	N500-0061	panneau de contrôle	x
11	N380-0033	bouton de contrôle	x
12	N530-0003	ensemble de tuyau de régulateur	p
13	N720-0076	flex connector	x
14	N500-0062	support de la électrode	x
15	N240-0039	électrode	x
16	N680-0001-SER	thermocouple	x
17	N735-0024	rondelle M8	x
18	N010-0910	ensemble électrode	x
19	N455-0086	injecteur de brûleur propane 1.95mm	p
	N455-0087	injecteur de brûleur naturel #32	n
20	N255-0065	raccord	x
21	N335-0092-BZ4AQ	couvercle	x
22	N705-0041-BZ4AQ	table haut	x
23	N475-0412-BZ4AQ	panneau pour arrière	x
24	N010-0901-BZ4AQ	ensemble frame	x
25	N475-0411-BZ4AQ	panneau pour droite	x
26	N475-0410-BZ4AQ	panneau pour gauche	x
27	N225-0061-BZ4AQ	de porte	x
28	N385-0307-SER	napoleon logo	x
29	N325-0096	poignée de porte	x
30	N570-0119	mise à niveau du pied	x
31	N080-0393-BZ4AQ	support de la bonbonne	x
32	N655-0192-BZ4AQ	support de la bonbonne	x
	N020-0175	sac de quincaillerie	x
	N300-0002	glass embers topaz (2per)	x
	GPFSE-WNDSCRN	défecteur en verre	ac
	mega	braises vitrifiées - ambre 1lb	ac
	megb	braises vitrifiées - bleu 1lb	ac
	megk	braises vitrifiées - noir 1lb	ac
	megr	braises vitrifiées - rouge 1lb	ac
	mkga	braises vitrifiées - ambre 5lb	ac
	mkgc	braises vitrifiées - claire 5lb	ac
	mkgk	braises vitrifiées - noir 5lb	ac
	mkgb	braises vitrifiées - bleu 5lb	ac
	mkgr	braises vitrifiées - rouge 5lb	ac
	68852	optionale tabelle couvercle	ac

p - appareils propane seulement n - appareils gaz naturel seulement
x - compris ac - accessoires

DIAGRAMME DE PIÈCES VICT2

FR



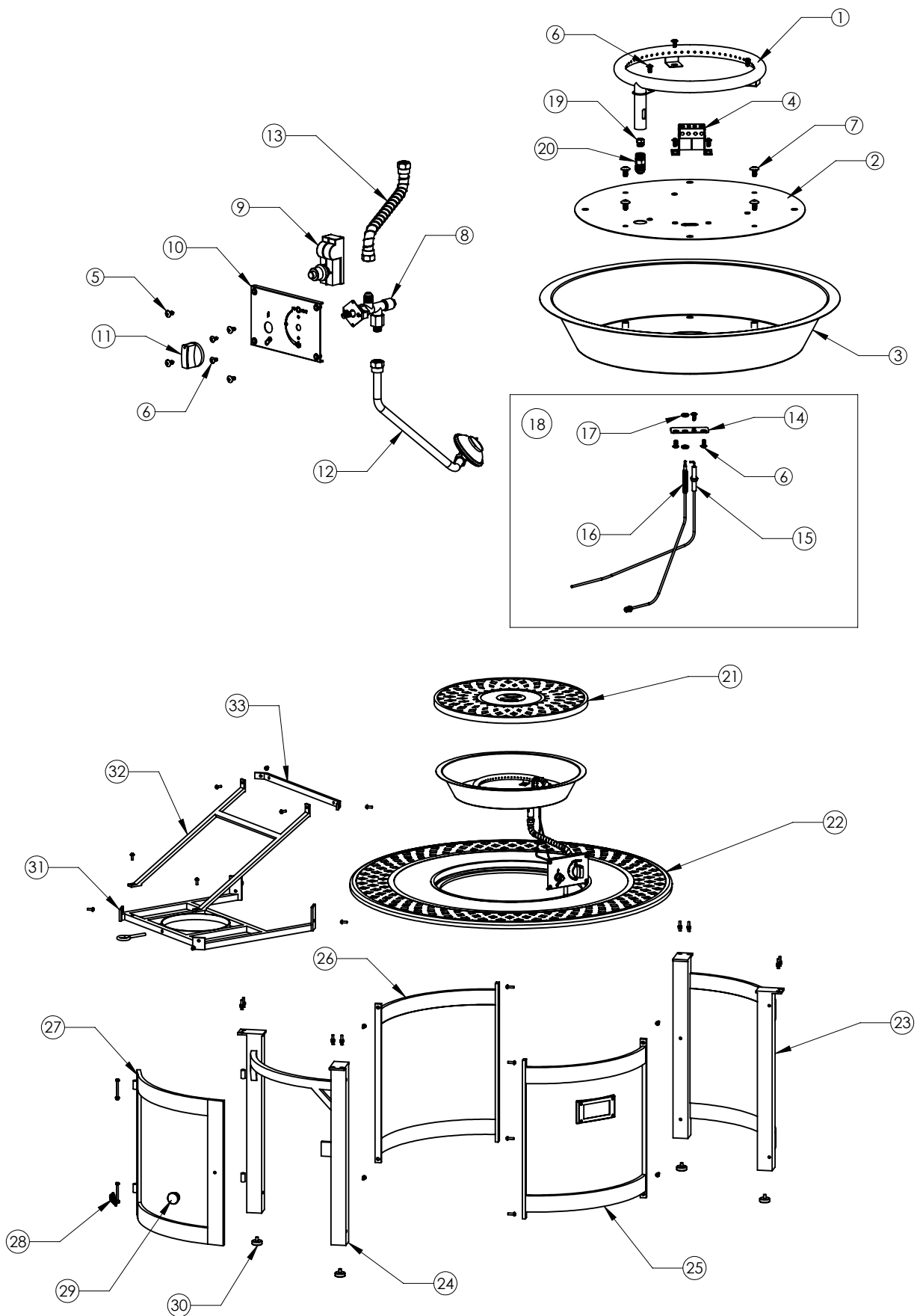
LISTE DES PIÈCES VICT3

Article	N° de pièce	Description	x
1	N100-0054	brûleur	x
2	N500-0060	brûleur plaque	x
3	N710-0097	brûleur cuvette	x
4	N585-0109	brûleur protecteur	x
5	N570-0094	vis M5 x 10mm	x
6	Z570-0032	vis M4 x 10mm	x
7	Z570-0024	vis M6 x 12mm	x
8	N725-0061	soupape brûleur	p
9	N357-0013	allumeur (AAA 1, 5V pile non incluse)	x
10	N500-0061	panneau de contrôle	x
11	N380-0033	bouton de contrôle	x
12	N530-0003	ensemble de tuyau de régulateur	p
13	N720-0076	flex connector	x
14	N500-0062	support de la électrode	x
15	N240-0039	électrode	x
16	N680-0001-SER	thermocouple	x
17	N735-0024	rondelle M8	x
18	N010-0910	ensemble électrode	x
19	N455-0086	injecteur de brûleur propane 1.95mm	p
	N455-0087	injecteur de brûleur naturel #32	n
20	N255-0065	raccord	x
21	N335-0093-BZ4AQ	couvercle	x
22	N705-0042-BZ4AQ	table haut	x
23	N475-0415-BZ4AQ	panneau pour arrière	x
24	N010-0902-BZ4AQ	ensemble frame	x
25	N475-0414-BZ4AQ	panneau pour droite	x
26	N475-0413-BZ4AQ	panneau pour gauche	x
27	N225-0062-BZ4AQ	de porte	x
28	N385-0307-SER	napoleon logo	x
29	N325-0096	poignée de porte	x
30	N570-0119	mise à niveau du pied	x
31	N080-0395-BZ4AQ	support de la bonbonne	x
32	N655-0194-BZ4AQ	support de la bonbonne	x
33	N655-0195-BZ4AQ	entretoise de la nonbonne	x
	N020-0175	sac de quincaillerie	x
	N300-0002	glass embers topaz (2per)	x
	GPFCE-WNDSCRN	défecteur en verre	ac
	mega	braises vitrifiées - ambre 1lb	ac
	megb	braises vitrifiées - bleu 1lb	ac
	megk	braises vitrifiées - noir 1lb	ac
	megr	braises vitrifiées - rouge 1lb	ac
	mkga	braises vitrifiées - ambre 5lb	ac
	mkgc	braises vitrifiées - claire 5lb	ac
	mkgk	braises vitrifiées - noir 5lb	ac
	mkgb	braises vitrifiées - bleu 5lb	ac
	mkgr	braises vitrifiées - rouge 5lb	ac
	68854	optionale table couvercle	ac

p - appareils propane seulement n - appareils gaz naturel seulement
x - compris ac - accessoires

DIAGRAMME DE PIÈCES VICT3

FR



Notes / Remarques

FR

Notes / Remarques

FR

Notes / Remarques

FR



Napoleon products are protected by one or more U.S. and Canadian and/or foreign patents or patents pending.
Les produits de Napoléon sont protégés par notre brevet d'invention dans les pays États Unis, Canada et international.



N415-0390