

# SÓLAS

CONTEMPORARY FIRE

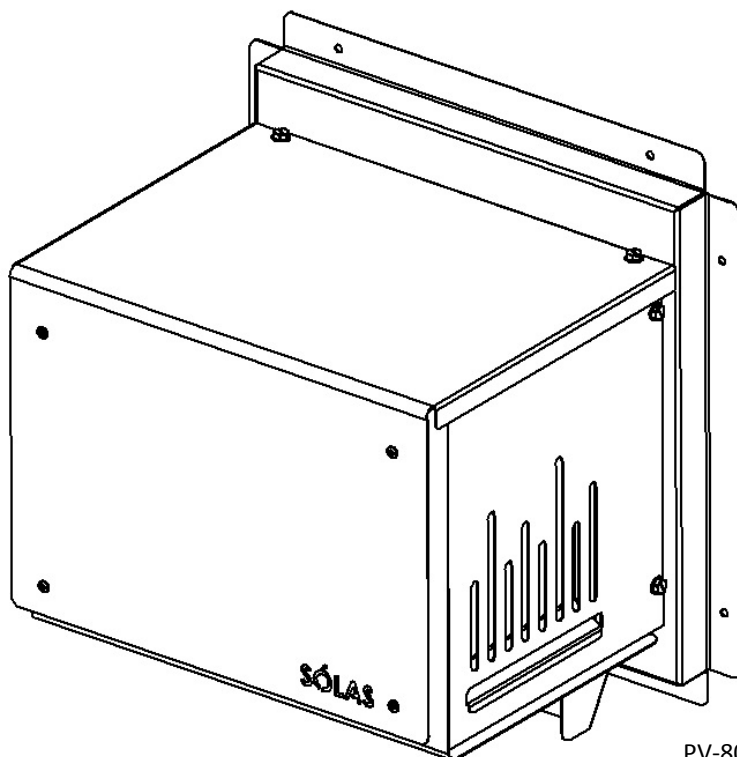
**DIRECT VENT  
POWER VENT KIT  
PART # PV-800HZ AND PV-850V**

## INSTALLATION & OPERATION MANUAL

**THIS POWER VENT KIT IS ONLY FOR USE WITH THE FOLLOWING MODELS:**

**SEE-THRU MODELS:** BI-48-ST, BI-60-ST, BI-72-ST

**SINGLE SIDE MODELS:** BI-48-SSL, BI-48-SSR, BI-60-SSL, BI-60-SSR, BI-72-SSL, BI-72-SSR



PV-800HZ SHOWN

DUE TO HIGH TEMPERATURES, THE APPLIANCE SHOULD BE LOCATED OUT OF TRAFFIC AND AWAY FROM FURNITURE AND DRAPERIES.

CHILDREN AND ADULTS SHOULD BE ALERTED TO THE HAZARDS OF HIGH SURFACE TEMPERATURE AND SHOULD STAY AWAY TO AVOID BURNS OR CLOTHING IGNITION.

YOUNG CHILDREN SHOULD BE SUPERVISED WHEN THEY ARE IN THE SAME ROOM AS THE APPLIANCE.

CLOTHING OR OTHER FLAMMABLE MATERIAL SHOULD NOT BE PLACED ON OR NEAR THE APPLIANCE.

KEEP THE ROOM AREA CLEAR AND FREE FROM COMBUSTIBLE MATERIALS, GASOLINE, AND OTHER FLAMMABLE VAPORS AND LIQUIDS.

**WARNING:** Improper installation, adjustment, alteration, services or maintenance can cause injury or property damage. Refer to this manual. For assistance or additional information, consult a qualified installer, service agency or the gas supplier.



Report #0361GF006S

Ce manuel est disponible en Français sur demande.

**INSTALLER:** Leave this manual with the appliance | **CONSUMER:** Retain this manual for future reference

# TABLE OF CONTENTS

Power Vent Kit Contents	2
Power Vent Clearances	3
Venting Configurations	5
Horizontal (side wall) Venting	6
Vertical (through roof) Venting	8
Control Installation Instructions	11
Electrical Instructions	15
Replacement Parts List	16
Warranty Information	17

WE STRONGLY SUGGEST THAT YOU READ THIS MANUAL THOROUGHLY BEFORE BEGINNING THE INSTALLATION OF THE SÓLAS POWER VENT KIT. THIS SPECIFIC PRODUCT HAS ITS OWN UNIQUE SET-UP AND INSTALLATION REQUIREMENTS THAT MUST BE FOLLOWED EXACTLY. PLAN YOUR INSTALLATION IN ADVANCE BY CAREFULLY RE-VIEWING ALL THE INFORMATION CONTAINED IN THIS MANUAL.

# POWER VENT KIT CONTENTS

This kit can only be used in conjunction with the SÓLAS Contemporary Fire products listed below. This installation must conform with local codes, or, in the absence of local codes, with the National Fuel Gas Code, ANSIZ2223.1/NFPA 54, or the Natural Gas and Propane Installation Code, CSA B149.1.

**THIS POWER VENT KIT IS ONLY FOR USE WITH THE FOLLOWING SÓLAS MODELS:**

**SEE-THRU MODELS:** BI-48-ST, BI-60-ST, BI-72-ST

**SINGLE SIDE MODELS:** BI-48-SSL, BI-48-SSR, BI-60-SSL, BI-60-SSR, BI-72-SSL, BI-72-SSR

## CONTENTS OF POWER VENT KIT

ITEM	PART#	DESCRIPTION	QTY.	ITEM	PART#	DESCRIPTION	QTY.
1	HRD-800HZ	HORIZONTAL POWER VENT KIT	1	6	HRD-805	ADJUSTABLE RESTRICTOR	1
2	HRD-801	VENT ADAPTER W/ PRESSURE TAP	1	7	HRD-806	PRESSURE SWITCH TUBING	1
3	HRD-802	HARDWARE KIT	1	8	HRD-850V	OPTIONAL VERTICAL TERMINATION CAP	1
4	HRD-803	POWER VENT RELAY HARNESS	1	9	HRD-851V	OPTIONAL VERTICAL TERMINATION BOX	1
5	HRD-804	POWER VENT CONTROL W/ PRESSURE SWITCH	1	10	HRD-852V	OPTIONAL VERTICAL TERMINATION HARDWARE KIT	1

**This kit uses either M&G Duravent direct vent pipe, Secure Vent direct vent pipe, or Selkirk Direct-temp vent pipe with a 4” inner pipe and a 6” outer pipe.**

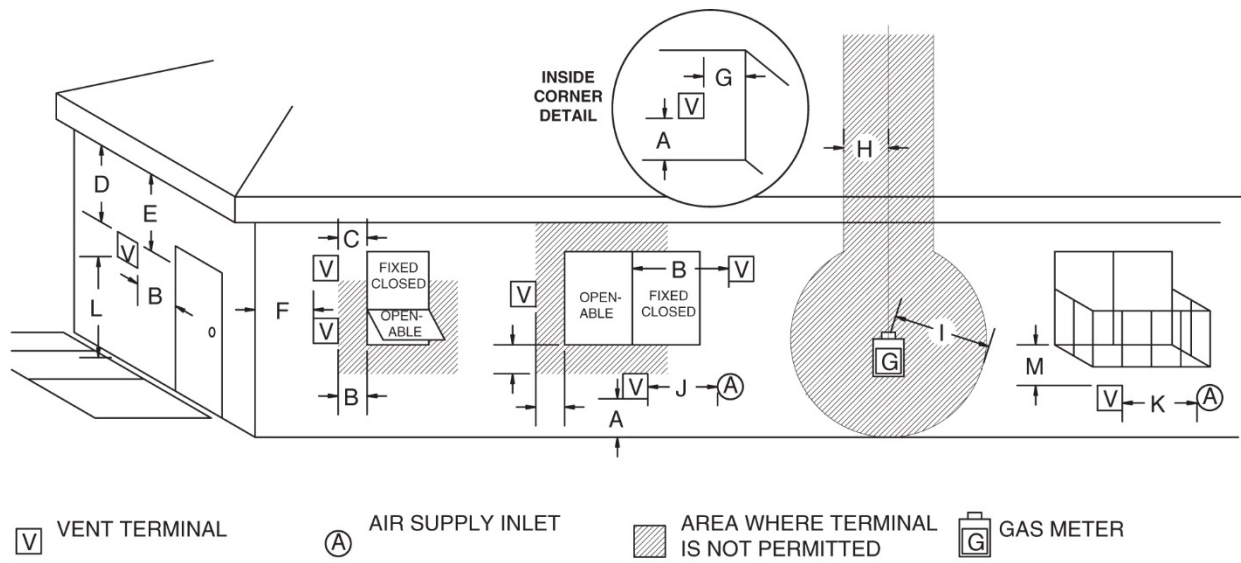
**Vertical installations must use the optional HRD-850V vertical termination cap.** HRD-850V includes HRD-851V vertical termination box, and HRD-852V vertical termination hardware kit. The vertical termination box can only be installed on flat surfaces; sloped surfaces require construction of a chase which provides the minimum interior square opening of 11”x11” (279mm x 279mm) for the venting and wiring to pass through. Flat roofs may require a chase depending on local codes and roof construction. (If in doubt check with local inspector)

ALWAYS MAINTAIN 1.5” (38mm) CLEARANCE TO COMBUSTIBLES AROUND VENT PIPE.

The Power Vent termination must be located in accordance with the clearances outlined in the venting section of this manual on page 3.

For replacement parts, refer to page 9. Replacement parts can be ordered through your authorized SÓLAS dealer.

# POWER VENT CLEARANCES



**Figure #1**

- A. clearances above grade, veranda, porch, deck, or balcony [\*12 inches (30 cm) minimum]
- B. clearance to window or door that may be opened [\* 12 inches (30 cm) minimum]
- C. clearance to permanently closed window [minimum 12 inches (30 cm) recommended to prevent condensation on window]
- D. vertical clearance to ventilated soffit located above the terminal within a horizontal distance of 2 feet (60 cm) from the edge of the terminal [12 inches (30 cm) minimum]
- E. clearance to unventilated soffit [12 inches (30 cm) minimum]
- F. clearance to outside corner [6 inches (15 cm) minimum]
- G. clearance to inside corner [6 inches (15 cm) minimum]
- H. \* not to be installed above a meter/regulator assembly within 3 feet (90 cm) horizontally from the center-line of the regulator
- I. clearance to service regulator vent outlet [\* 6 feet (1.8 m) minimum]
- J. clearance to non-mechanical air supply inlet to building or the combustion air inlet to any other appliance [\* 12 inches (30 cm) minimum]
- K. clearance to a mechanical air supply inlet [\* 6 feet (1.8 m) minimum]
- L. ^ clearance above paved side-walk or a paved driveway located on public property [\* 7 feet (2.1 m) minimum]
- M. clearance under veranda, porch, deck, or balcony [12 inches (30 cm) minimum\*\*]

^ a vent shall not terminate directly above a side-walk or paved driveway which is located between two single family dwellings\*

\*\* only permitted if veranda, porch, deck, or balcony is fully open on a minimum of 2 sides beneath the floor\*

\* as specified in CGA B149 Installation Codes, Note: local Codes or Regulation may require different clearances

\* for U.S.A. Installations follow the current National Fuel Gas Code, NSI Z223.1



# VENTING CONFIGURATIONS

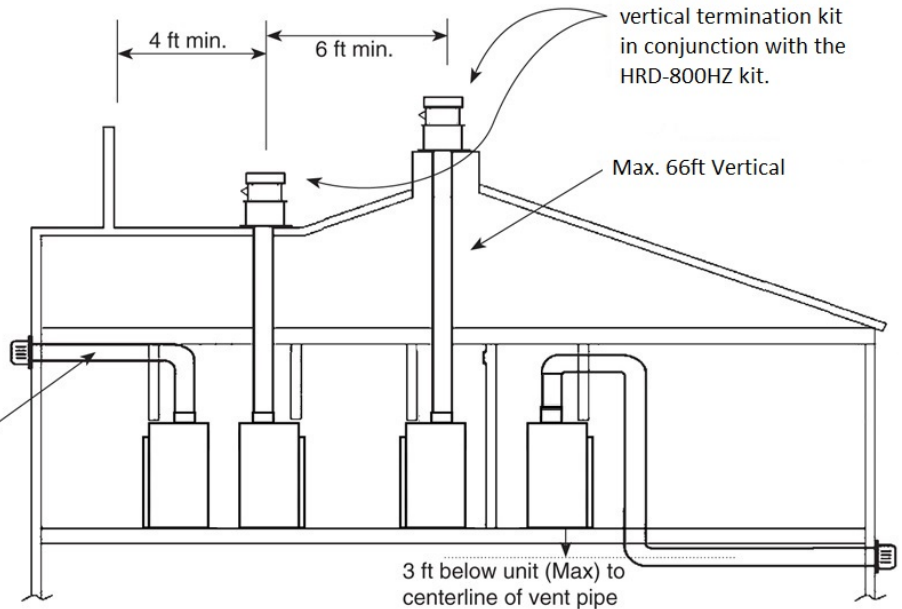
Maximum vent length is 110 ft. plus six 90-degree elbows or combination of other elbows equaling 90-degrees, with a maximum 66ft vertical rise.

Minimum horizontal vent length is 3 ft. plus one 90-degree elbow.

The vent can be installed with any combination of rise and run between the figures including up to 3 ft. below the unit.

Vertical Application Must use optional HRD-850V vertical termination kit in conjunction with the HRD-800HZ kit.

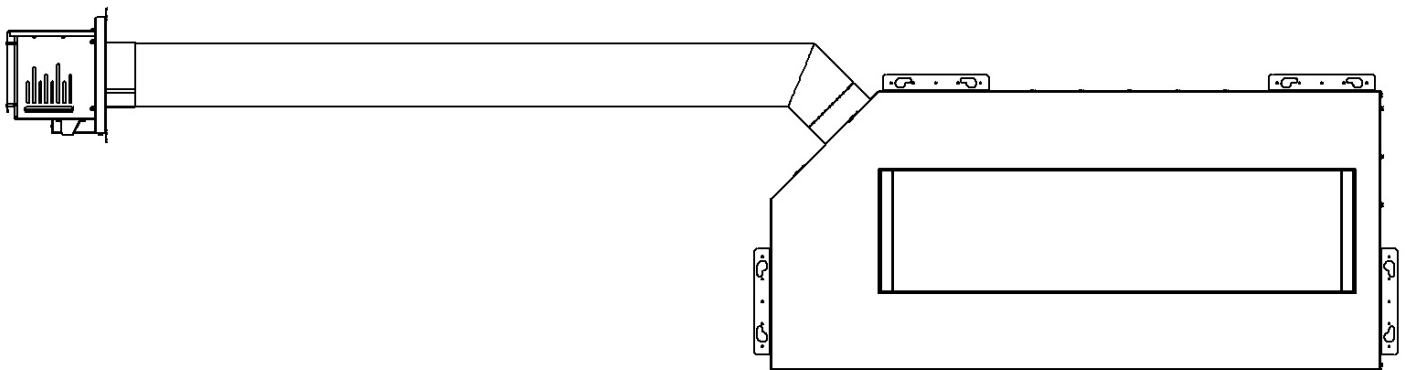
Maximum venting – 110ft plus (6) 90 degree elbows.



**Figure #2**

**WARNING:**

A minimum clearance to combustibles of 1.5” (38mm) is required around the vent pipe at all times. Failure to maintain this clearance may result in property damage, injury, or death.



**Figure #3**

**NOTE:**

IT IS PERMISSABLE TO VENT HORIZONTALLY, DIRECTLY OFF OF THE UNIT, NO VERTICAL RISE IS REQUIRED WHEN EQUIPPED WITH A POWER VENT AS SHOWN IN FIGURE #3.

# HORIZONTAL (SIDE WALL) VENTING

This kit uses either Simpson DuraVent GS direct vent pipe, Secure Vent direct vent pipe or Selkirk Direct-temp vent pipe with a 4" inner pipe and a 6" outer pipe.

1. Locate the power vent termination following the clearance to combustible table, venting configuration diagram (Fig. #2 & 3), and terminal location diagram (Fig. #1).
2. Cut and frame an 11" x 11" opening. The center of the square hole should line up with the center
3. Install the M&G Duravent (or equivalent) Wall thimble, part number 46DVA-WT (not supplied with kit) in the opening to retain any insulation in the wall and maintain proper clearances. If the wall being penetrated is constructed of noncombustible material only (i.e., Masonry block or concrete) the wall thimble is not required and a hole with zero clearance is acceptable. (6 5/8" hole)

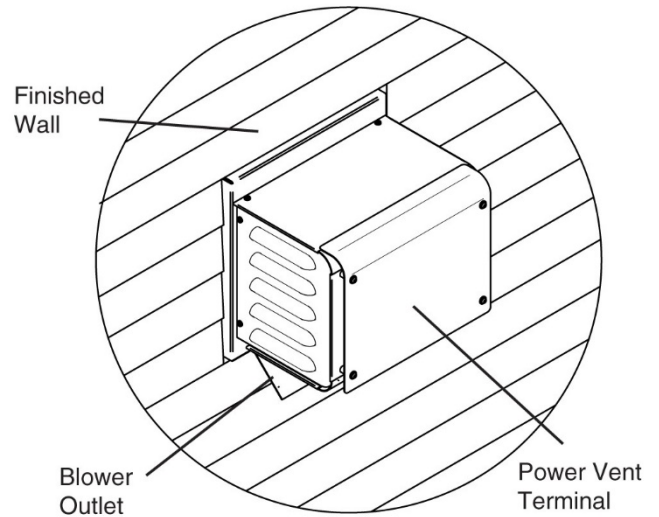
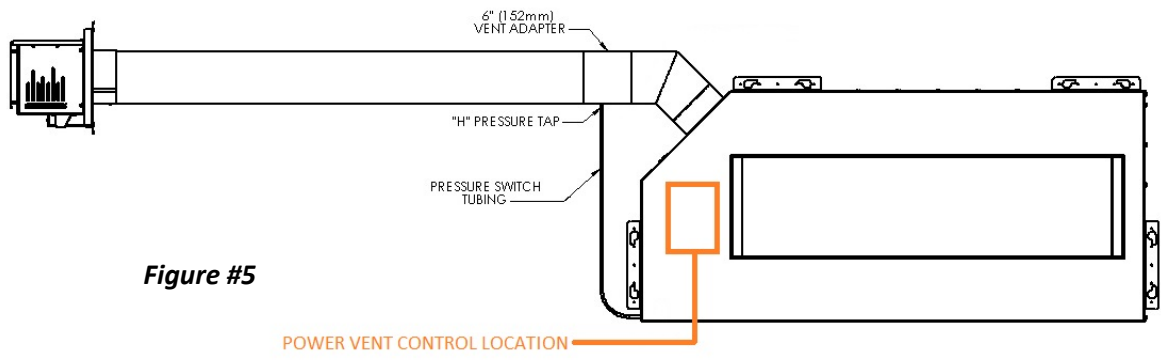


Figure #4

4. Attach the terminal to the outside wall. Ensure that the terminal is the right way up and that only the outer flanges that are used to secure the terminal to the building are covered by the exterior wall or siding. (Fig.#4) **Note: No other part of the terminal can be recessed into the exterior wall or siding.**
5. Attach the vent adaptor directly to the appliance after the initial 45° elbow before any horizontal or vertical pipe is added. Tape all exterior seams on the venting system with foil HVAC tape. **Note: The inner pipe does not need to be sealed.** (Fig. #5)
6. Connect the high temperature silicone tube to the vacuum pressure tap on the adaptor, secure with the hose clamp provided and route the tube through the utility access panel back to Power vent control location. (Fig. #5) Tube may touch unit and be trimmed if required. Connect the pressure switch tubing to the light grey port on the power vent control. Note: Ensure that there are no blockages in this tube, as this will cause the control to malfunction. Do not allow tube to rest on firebox after it is routed.
7. Run the required Simpson DuraVent GS / Secure Vent / Selkirk Direct-temp pipe from the adaptor to the terminal assembly. Assemble as per the vent pipe manufacturer's instructions.



**Figure #5**



# VERTICAL (THROUGH ROOF) VENTING

## INSTALLATION

All part numbers in the following section are shown in Fig. #6.

1. Place the flashing (Part A) onto the chase and seal using silicone.
2. Put a bead of silicone on the underside of the vertical standoff (Part B) and place it on top of the flashing. Align the eight holes and secure both parts to the chase using eight #8 x 1 1/2" screws provided.
3. Install the drip shield (Part C) onto the top of the vertical standoff using a bead of silicone between the two. Do not screw this part in place.
4. Bring the 14-2 electrical wire (not supplied) up through the holes in both the flashing and the drip shield leaving at least 12" of excess wire above the drip shield.
5. **IMPORTANT:** Attach an appropriate length(s) of the vent to the power vent terminal, sufficient to pass through the chase. Note: do not connect an adjustable length vent pipe to the terminal.

**Note: do not connect an adjustable length vent pipe to the terminal.**

6. Seal the connection of the first length of pipe at the terminal and any other pipe to pipe joint by both screwing and taping the outside joint using high temperature foil tape.
7. Remove the junction box cover. (Part D)
8. Remove and discard the exhaust shield. (Part E)
9. Apply a bead of silicone on the "Part A Flashing" of the power vent terminal (HRD-850V)
10. Slide the vent through the drip shield and at the same time thread the electrical lead through the hole in the bottom of the terminal.

each side of the vertical standoff, the drip shield and the power vent terminal and then screw them together using the eight #8 x 1/2" stainless screws provided.

12. Join the 14-2 wire lead to the blower wires using the appropriate connectors and attach the ground wire. Reinstall the junction box cover.
13. Install the vertical rain cap (Part F) over the power vent blower. **ALIGN THE EXHAUST OUTLET ON THE POWER VENT TERMINAL WITH THE EXHAUST PORT ON THE VERTICAL RAIN CAP.**
14. Secure the vertical rain cap to the power vent blower with the remaining eight #8 x 1/2" stainless screws.

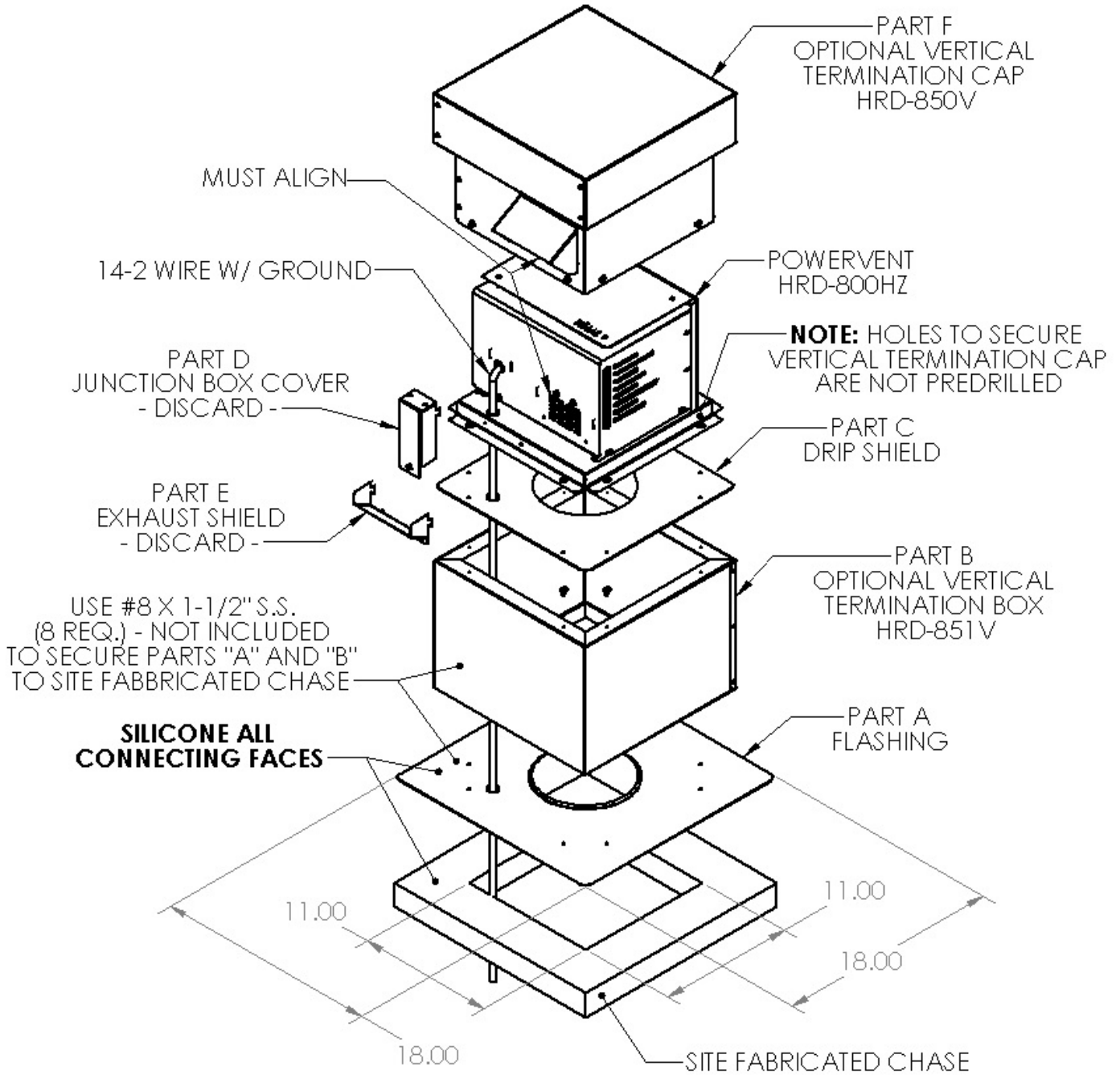
**Note: there are no pilot holes in the base of the power vent terminal. 1/8" diameter pilot holes should be drilled using the holes in the vertical rain cap as a guide.**

**Do not silicone the vertical rain cap to the power vent terminal as it needs to be removable for servicing.**

15. Attach the vent adaptor directly to the appliance with three screws and seal outer pipe with aluminum tape provided. **Note: The inner pipe does not need to be sealed.**
16. Connect the high temperature silicone tube to the vacuum pressure tap on the adaptor, secure with the hose clamp provided and route the tube through any hole back to Pressure Switch. (Fig. #5) **Note: Ensure that there are no blockages in this tube, as this will cause the control to malfunction.**
17. Run the required M&G Duravent GS / Secure Vent / Selkirk Direct-temp pipe from the adaptor to the terminal assembly. Assemble as per the vent pipe manufacturer's instructions.

11. With the power vent terminal resting on the drip shield, align the eight holes in

# VERTICAL (THROUGH ROOF) VENTING



Final Installation Height: 21"

Figure 6

# CONTROL INSTALLATION INSTRUCTIONS



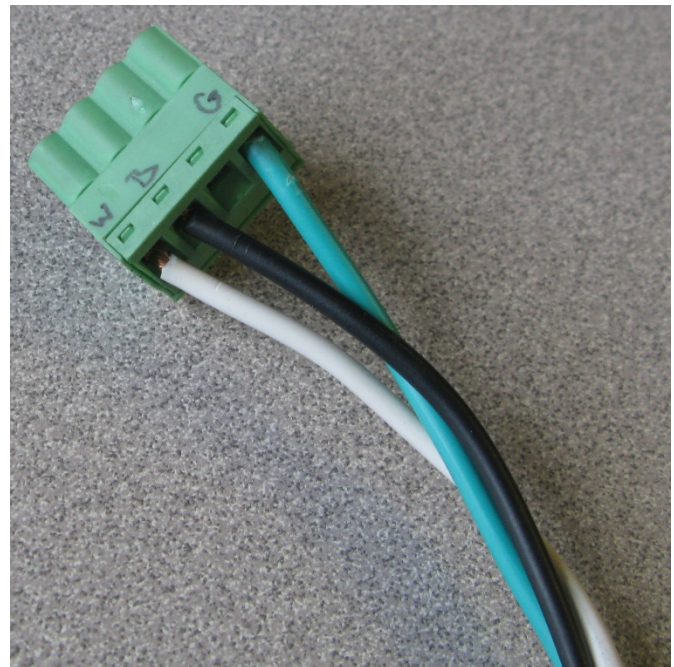
The above image shows the power vent control with pressure switch, part #HRD-804.

The image below shows the pressure switch ports on the top surface of the power vent control enclosure. The black port should be left open to the atmosphere; the grey port should be connected to the vent pipe pressure tap. The pressure switch requires a positive pressure of 0.05" W.C. to confirm the power vent is running.



There are 2 female connectors on the bottom surface of the power vent control enclosure as shown above. The left connector is for the power vent relay harness part #HRD-803. The right connector is for outgoing power to the power vent blower at the vent termination. (see below).

Connect the White, Black, and Green lines of the 14-2 power line running to the power vent as shown in the image below. This connector is included in your hardware kit part #HRD-802.





# CONTROL INSTALLATION INSTRUCTIONS



Install the power vent control HRD-804 on the flue side of the fireplace using the (3) #10 x 3/4" self-tapping sheet metal screws provided.

Hardware Kit, HRD-802



Install the vent adapter HRD-801 with pressure tap immediately following the 45° elbow off the unit. Connect the pressure tap on the vent adapter to the light grey port on the control using the pressure switch tubing HRD-806 provided. Tape all seams in the venting system using Aluminum Foil HVAC Tape.

Use the adjustable restrictor HRD-805 (shown below) to reduce the draft within the firebox should the power vent be overpowering the fireplace. Once the desired level of restriction is found, secure the restrictor using (2) #10 x 3/4" self-tapping sheet metal screws provided.

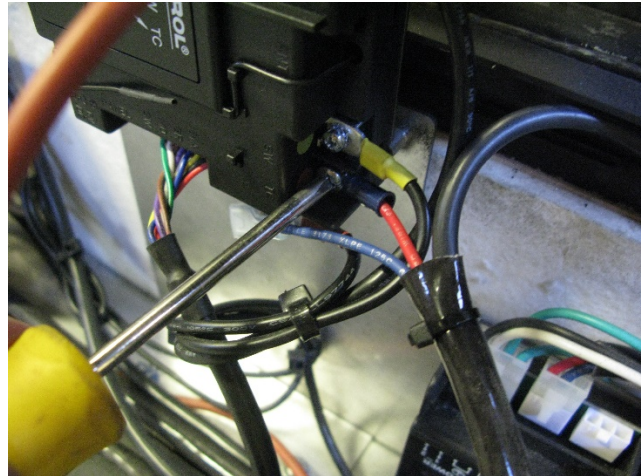




# CONTROL INSTALLATION INSTRUCTIONS



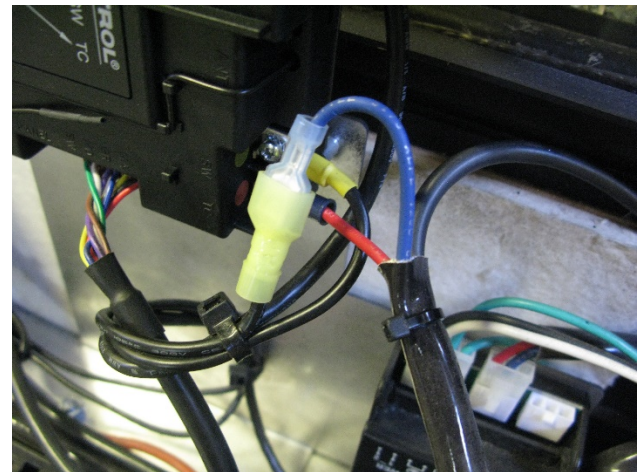
Power Vent Relay Harness HRD-803



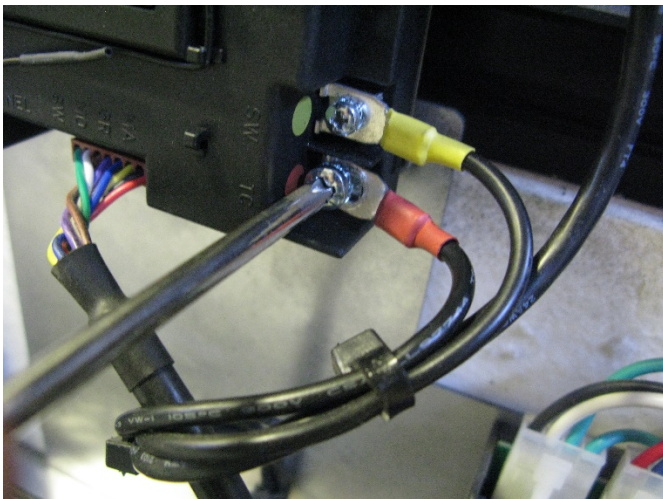
Connect the red wire spade connector from the power vent relay harness HRD-803.



Plug in the power vent relay harness HRD-803 to the AUX port on the fireplace control.



Cut the Red TC spade connector off, Crimp on the male quick disconnect connector included in your hardware pack HRD-802.



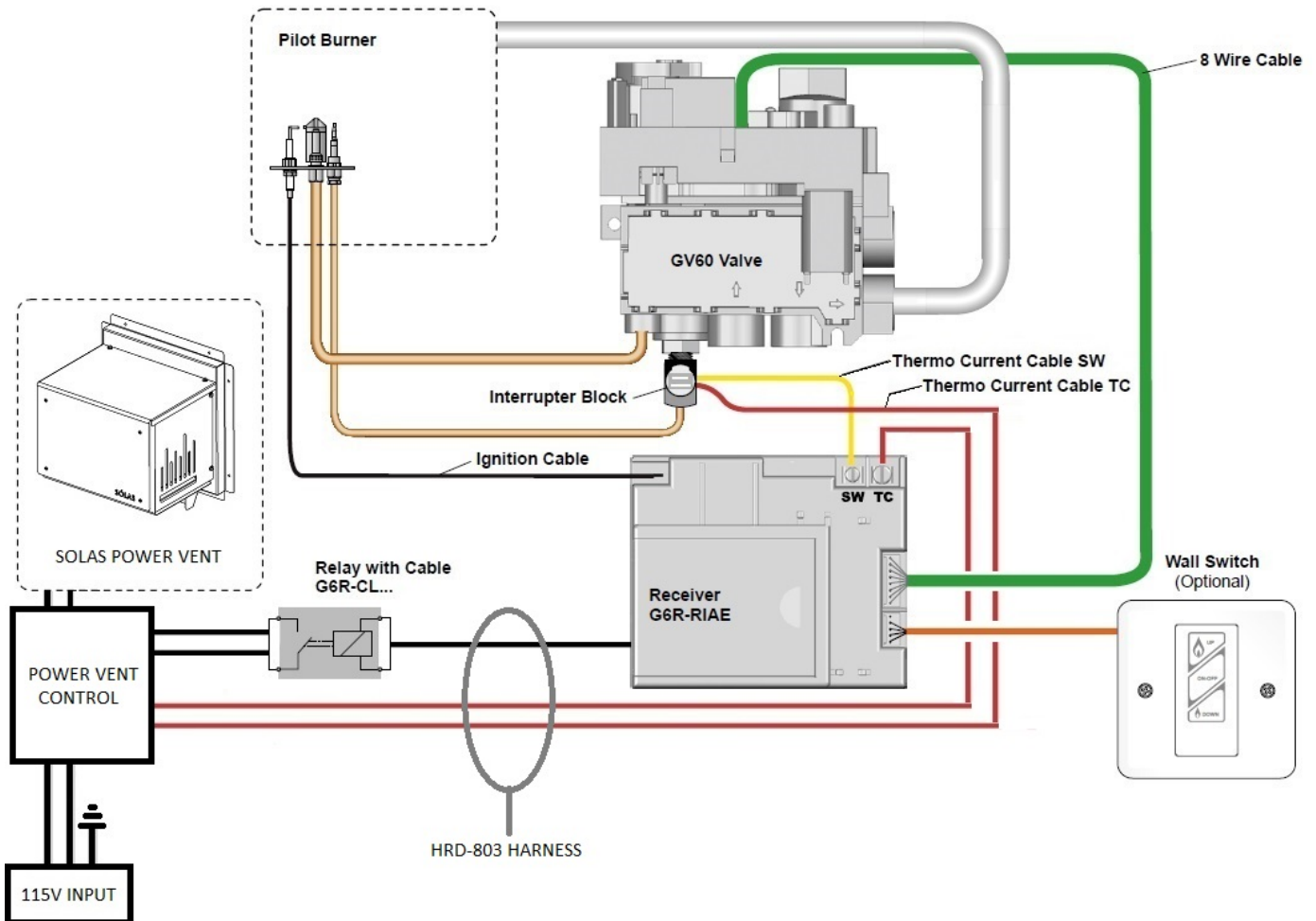
Disconnect the Red TC spade connector.

# ELECTRICAL INSTRUCTIONS

NOTE: Once the electrical wiring has been completed, test the system to be sure its performance is as desired before the finishing work is completed and the fireplace is enclosed.

## WARNING

All electrical shall be completed by a licensed Electrician and must conform with local building code. Improper installation may result in property damage, injury, or loss of life.



**Caution:** Label all wires prior to disconnection when servicing the controls. Wiring errors can cause improper and dangerous operation. Verify proper operation after servicing.



# REPLACEMENT PARTS LIST

## REPLACEMENT PARTS

ITEM	PART#	DESCRIPTION	QTY.
1	HRD-800HZ	HORIZONTAL POWER VENT KIT	1
2	HRD-801	VENT ADAPTER W/ PRESSURE TAP	1
3	HRD-802	HARDWARE KIT	1
4	HRD-803	POWER VENT RELAY HARNESS	1
5	HRD-804	POWER VENT CONTROL W/ PRESSURE SWITCH	1

ITEM	PART#	DESCRIPTION	QTY.
6	HRD-805	ADJUSTABLE RESTRICTOR	1
7	HRD-806	PRESSURE SWITCH TUBING	1
8	HRD-850V	OPTIONAL VERTICAL TERMINATION CAP	1
9	HRD-851V	OPTIONAL VERTICAL TERMINATION BOX	1
10	HRD-852V	OPTIONAL VERTICAL TERMINATION HARDWARE KIT	1

**NOTE:**

Items 8, 9 and 10 are supplied as a kit and cannot be ordered separately.

**For replacement parts and customer service contact your SÓLAS dealer or:**

**SÓLAS, LLC**  
4 Technology Drive, Suite 5  
West Lebanon, NH 03784

(T) 603-298-5169  
(F) 603-298-9246  
sales@solasfires.com

# WARRANTY INFORMATION

## THE WARRANTY

SÓLAS, LLC, a division of Progressive Manufacturing, Inc. ("SÓLAS"), Limited Lifetime Warranty warrants your SÓLAS brand gas fireplace ("Product") to be free from defects in materials and workmanship at the time of manufacture. The Product body and firebox carry the Limited Lifetime Warranty on workmanship defects causing loss of structural integrity. Ceramic glass carries the Limited Lifetime Warranty against thermal breakage only. After installation, if covered components manufactured by SÓLAS are found to be defective in material or workmanship during the Limited Lifetime Warranty period and while the Product remains at the site of the original installation, SÓLAS will, at its option, repair or replace the covered components. If repair or replacement is not commercially practical, SÓLAS will, at its option, refund the purchase price or wholesale price of the SÓLAS product, whichever is applicable. SÓLAS will also pay their prevailing labor rates, as determined in its sole discretion, incurred in repairing or replacing such components during the warranty period. THERE ARE EXCLUSIONS AND LIMITATIONS to this Limited Lifetime Warranty as described herein.

## COVERAGE COMMENCEMENT DATE

Warranty coverage begins on the date of installation. The warranty shall commence no later than 24 months following the date of product shipment from SÓLAS, regardless of the installation date.

## EXCLUSIONS AND LIMITATIONS

This Limited Lifetime Warranty applies only if the Product is installed in the United States or Canada and only if operated and maintained in accordance with the printed instructions accompanying the Product and in compliance with all applicable installation and building codes and good trade practices.

This warranty is non-transferable and extends to the original owner only. The Product must be purchased through a listed supplier of SÓLAS and proof of purchase must be provided. The Product body and firebox carry the Limited Lifetime Warranty. The following do not carry the Limited Lifetime Warranty, but are warranted as follows:

- **Burner** – Repair or replacement for three years from date of installation.
- **Gas components & electrical components** – Repair or replacement for one year from date of installation.
- **Blowers & remote controls** – Repair or replacement for one year from the date of installation.
- **Porcelain Firebox Liners** – Replacement for one year against cracking or breakage due to thermal stress from date of installation. Excludes surface and hairline cracks and scratches or slight color changes that do not affect the operation or safety of the unit.
- **Gaskets** – Repair or replacement for one year from the date of installation.
- **Surrounds** – Replacement for one year against cracking or breakage due to thermal stress. Excludes surface and hairline cracks and scratches or slight color changes that do not affect the operation or safety of the unit.
- **Labor coverage** – Prevailing SÓLAS rates apply for the warranty period of the component. SÓLAS will not be liable for travel costs for service work.

SÓLAS will not be responsible for: (a) damages caused by normal wear and tear, accident, riot, fire, flood, or acts of God; (b) damages caused by abuse, negligence, misuse, or unauthorized alteration or repair of the Product affecting its stability or performance. The Product must be subjected to normal use. The product is designed to burn either natural or propane gas only. Burning conventional fuels such as wood, coal or any other solid fuel will cause damage to the Product, will produce excessive temperatures and could result in a fire hazard. (c) Damages caused by failing to provide proper maintenance and service in accordance with the instructions provided with the Product; (d) damages, repairs or inefficiency resulting from faulty installation or application of the Product.

Discoloration and some minor expansion, contraction, or movement of certain parts and resulting noise is normal and not a defect, and, therefore, not covered under warranty. The installer must ensure the appliance is burning as per the rating tag at the time of installation. Over-firing (operation above the listed BTU rate) of this appliance can cause serious damage and will nullify this warranty.

This warranty is void if:

- a) The unit has been operated in atmospheres contaminated by chlorine, fluorine or other damaging chemicals.
- b) The unit is subject to submersion in water or prolonged periods of dampness or condensation.

Damage to stainless steel, gold, nickel or porcelain enameled surfaces caused by fingerprints, scratches, melted items, or other external sources left on these surfaces from the use of cleaners is not covered in this warranty.

SÓLAS is not responsible for inadequate fireplace system draft caused by air conditioning and heating systems, mechanical ventilation systems, or general construction conditions which may generate negative pressure in the room in which the appliance is installed. Additionally, SÓLAS assumes no responsibility for drafting conditions caused by venting configurations, adjoining trees or buildings, adverse wind conditions or unusual environmental factors and conditions that affect the operation of the unit.

This Limited Lifetime Warranty covers only parts and labor as provided herein. In no case shall SÓLAS be responsible for materials, components, or construction, which are not manufactured or supplied by SÓLAS or for the labor necessary to install, repair, or remove such materials, components, or construction. Additional utility bills incurred due to any malfunction or defect in equipment are not covered by this warranty. All replacement or repair components will be shipped F.O.B. from the nearest stocking SÓLAS facility.

## LIMITATION ON LIABILITY

It is expressly agreed and understood that SÓLAS' sole obligation and the purchaser's exclusive remedy under this warranty, under any other warranty, expressed or implied, or in contract, tort or otherwise, shall be limited to replacement, repair, or refund, as specified herein.

In no event shall SÓLAS be liable for any incidental or consequential damages caused by defects in the Product, whether such damage occurs or is discovered before or after repair or replacement, and whether such damage is caused by SÓLAS' negligence. SÓLAS has not made and does not make any representation or warranty of fitness for a particular use or purpose, and there is no implied condition of fitness for a particular purpose.

SÓLAS makes no expressed warranties except as stated in this Limited Lifetime Warranty. The duration of any implied warranty is limited to the duration of this expressed warranty.

No one is authorized to change this Limited Lifetime Warranty or to create for SÓLAS any other obligation or liability in connection with the Product. Some states and provinces do not allow the exclusion or limitation of incidental or consequential damages, so the above limitations or exclusions may not apply to you. The provisions of this Limited Lifetime Warranty are in addition to and not a modification of or subtraction from any statutory warranties and other rights and remedies provided by law.

## INVESTIGATION OF CLAIMS AGAINST WARRANTY

SÓLAS reserves the right to investigate any and all claims against this Limited Lifetime Warranty and to decide, in its sole discretion, upon the method of settlement.

To receive the benefits and advantages described in this Limited Lifetime Warranty, the appliance must be installed and repaired by a licensed contractor approved by SÓLAS.

Contact SÓLAS at the address provided herein to obtain a listing of approved dealers/distributors. **SÓLAS shall in no event be responsible for any warranty work done by a contractor that is not approved without first obtaining SÓLAS' prior written consent.**

## HOW TO REGISTER A CLAIM AGAINST WARRANTY

In order for any claim under this warranty to be valid, you must contact the SÓLAS dealer/distributor from which you purchased the product. If you cannot locate the dealer/distributor, then you must notify SÓLAS in writing. SÓLAS must be notified of the claimed defect in writing within 90 days of the date of failure. Notices should be directed to the SÓLAS Warranty Department at 4 Technology Drive, Suite 5, West Lebanon, NH 03784 or visit our website at [www.SOLASfires.com](http://www.SOLASfires.com).

## SÓLAS, LLC

4 Technology Drive, Suite 5

West Lebanon, NH 03784

(T) 603-298-5169

(F) 603-298-9246

[www.SOLASfires.com](http://www.SOLASfires.com)

- c) Any damage to the unit, combustion chamber, heat exchanger or other components due to water or weather damage which is the result of, but not limited to improper chimney/venting installation.

**RECORD YOUR PRODUCT INFORMATION**

Model #: _____	Serial #: _____
Date Purchased: _____	Date Installed: _____



Manufactured by:  
Progressive Manufacturing Inc.  
4 Technology Drive, Suite 5  
West Lebanon, NH 03784  
USA

