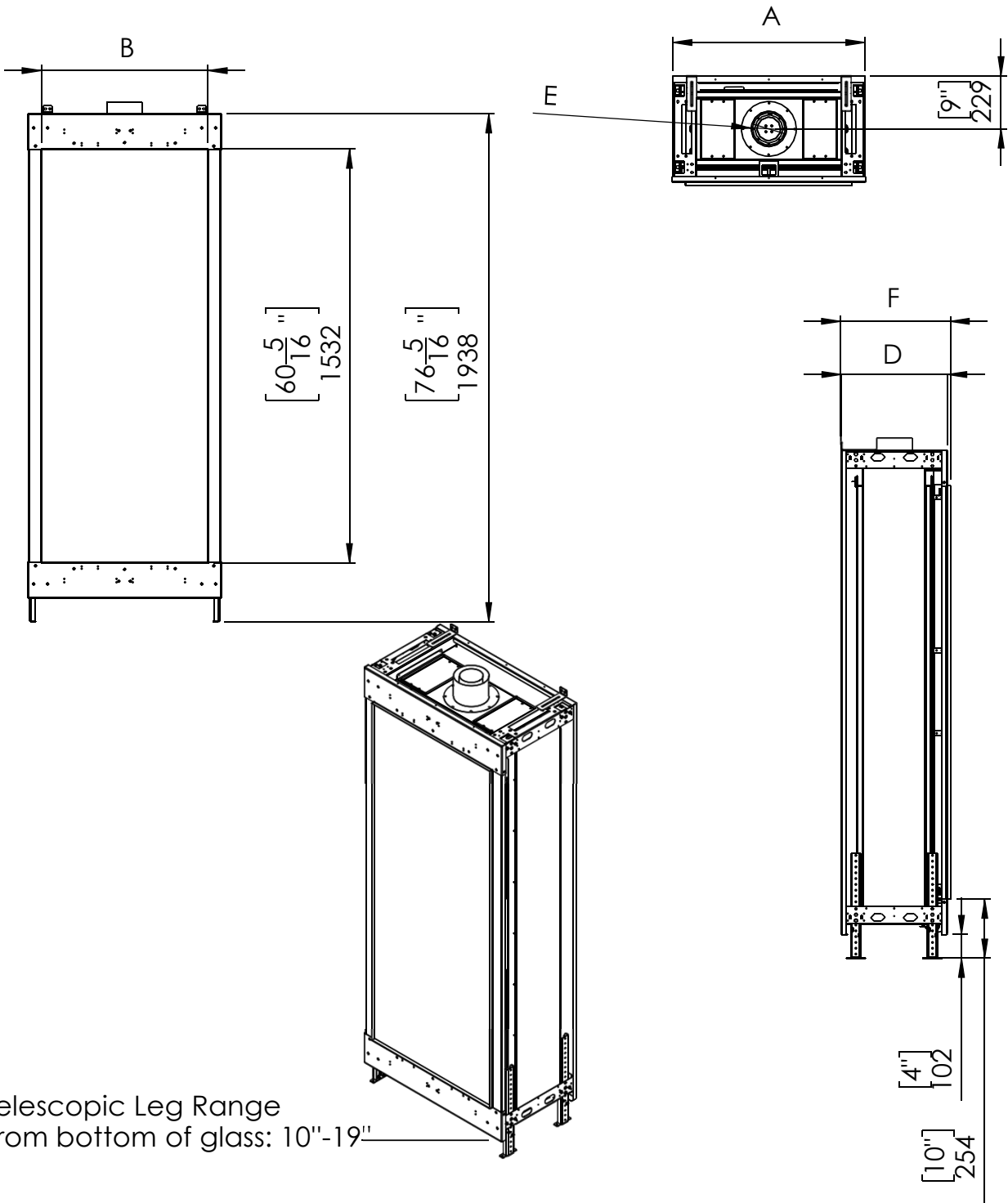


# Flare Passage Front Wood Frame

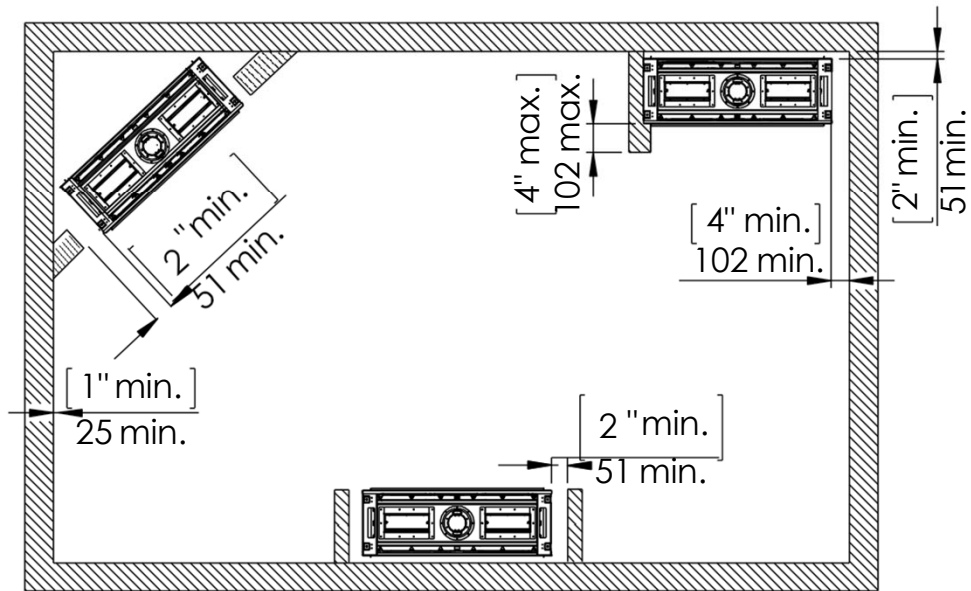
## Fireplace Dimensions



Telescopic Leg Range  
From bottom of glass: 10"-19"

Model	A-Inch	B-Inch	F-Inch	D-Inch	E-Inch
Passage	$32\frac{10}{16}$	$28\frac{5}{16}$	$18\frac{9}{16}$	$18\frac{1}{16}$	5"X8"

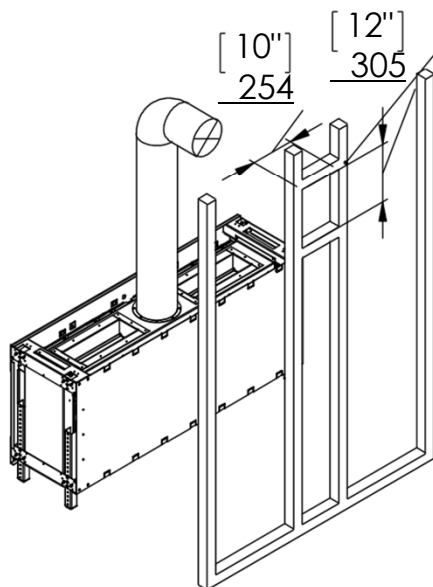
Clearances below are to non-combustible materials.



## Chimney Installation

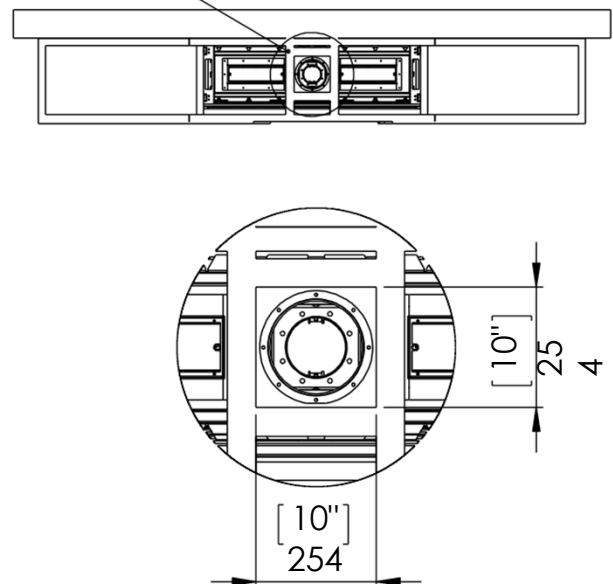
### Horizontal Termination

For 5 x 8 vent size create 10" x 12" vent termination opening

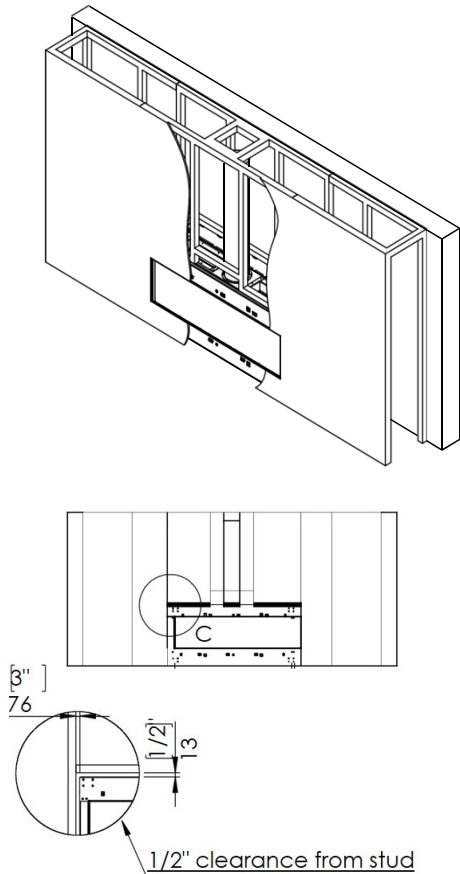


### Vertical Termination

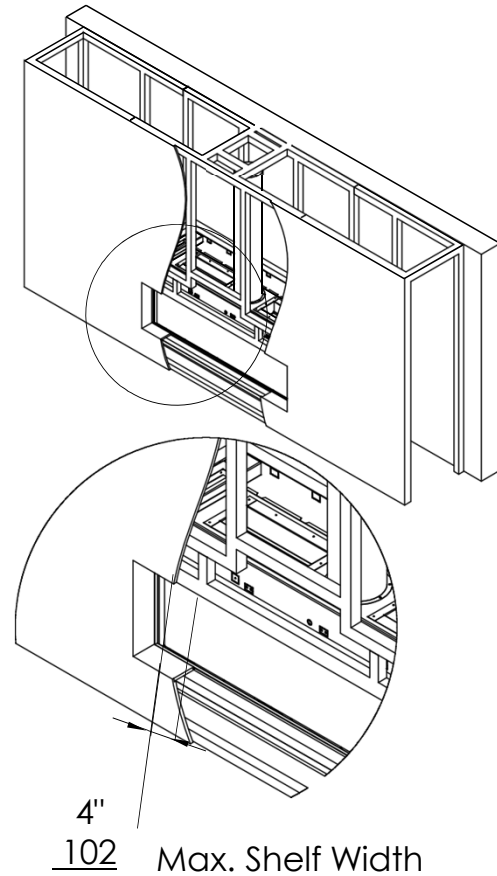
For 5 x 8 vent size create 10" x 10" vent termination opening



## Flat Installation Example



## L Shape Installation Example



## Heat Release and Air Intakes

### **The following sizes MUST be maintained for the upper heat release:**

For fireplaces sized **80" & 100"** – open vent area must be at least **200 square inches**.

For fireplaces sized **60" & 70"** – open vent area must be at least **140 square inches**.

For fireplace sized **50"** and below – open vent area must be at least **100 square inches**.

### **The following sizes MUST be maintained for the lower air intake:**

For fireplaces sized **80" & 100"** – open vent area must be at least **100 square inches**.

For fireplaces sized **60" & 70"** – open vent area must be at least **70 square inches**.

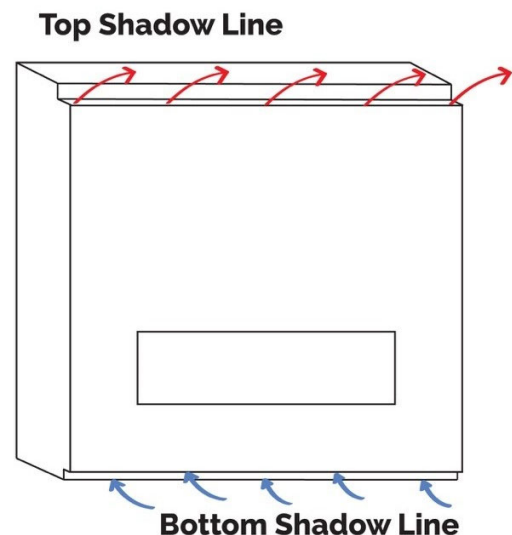
For fireplaces sized **50"** and below – open vent area must be at least **50 square inches**.

For See Through and Room Definer fireplaces, the air intake requirements are **double**.

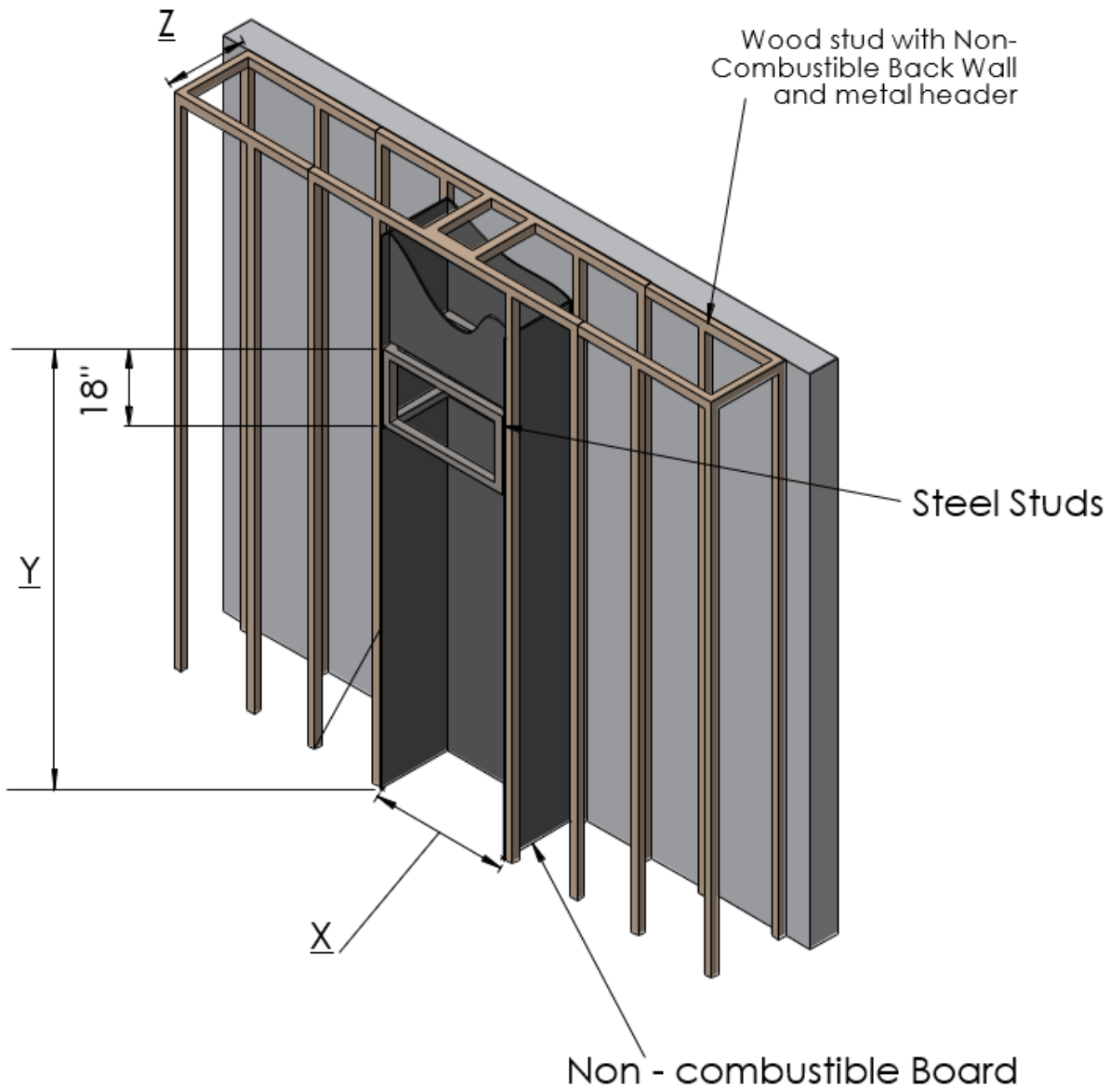
**NOTE: Openings above for Heat Release and Air Intake are measured for open air space. BE SURE TO CALCULATE FOR RESTRICTIONS IN GRATING.**

**NOTE: On all See Through and Room Definer units the air intake must be doubled**

Air Intakes required for Double Glass or Optional Blower kits ONLY.



# Wood Framing Dimensions



**NOTE:** Dimension 'Y' uses legs at default lowest height 4" below the unit with glass beginning 10" above the floor. Increase leg height and Y dimension for higher viewing window.

		X	Y	Z	
				Flat Installation	Recess Installation ( 4" Max)
Passage	Inch	38 <sup>10</sup> / <sub>16</sub>	94 <sup>13</sup> / <sub>16</sub>	21 <sup>1</sup> / <sub>16</sub>	25 <sup>1</sup> / <sub>16</sub>
	mm	969	2408	535	637