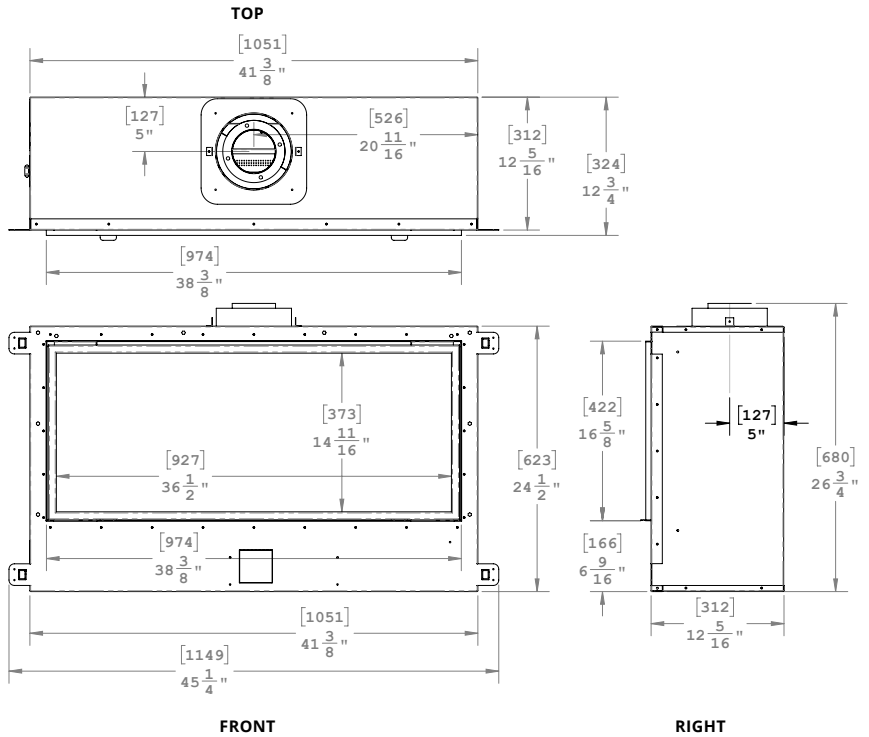


LINEAR GAS FIREPLACE

DIMENSIONS

PART	ACTUAL	FRAMING
FRONT WIDTH	45 1/4"	43 3/4"
BACK WIDTH	41 3/8"	43 3/4"
HEIGHT	24 1/2"	33 11/16"
DEPTH	12 3/4"	14 1/4"
VIEWING AREA	36 1/2" X 14 11/16"	N/A



FEATURES

- 14 1/4" Framing Depth
- Montigo 4TH generation 16,000 BTU/HR concealed linear burner
- Standard 4/7 direct vent
- Field convertible to propane with optional conversion kit

TECHNICAL SPECIFICATIONS

DRL3613NI standard with:

- Proflame2 BASIC control system and full function remote control
- 16,000 BTU/HR Montigo linear concealed burner
- Ceramic glass door with flush safety screen
- Star Ice fireglass media
- Cement board facing kit

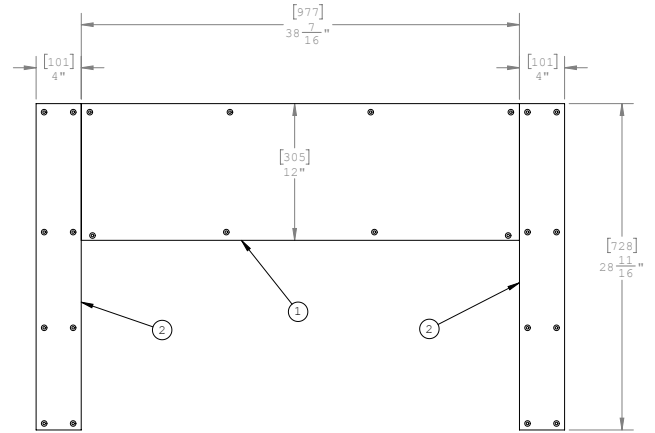
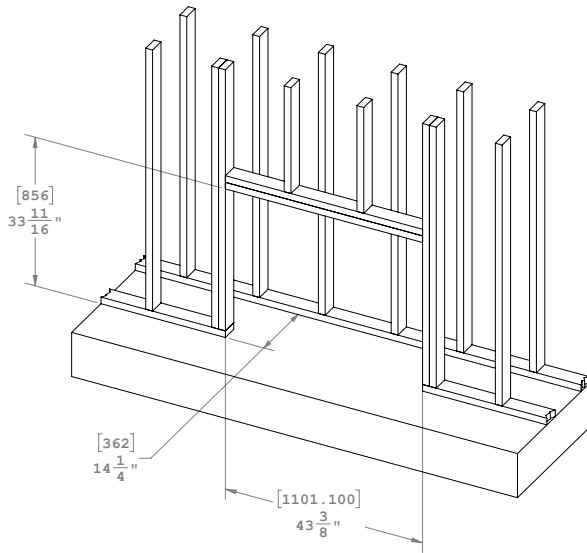
DRL3613NI Options:

- Wireless remote control
- Field convertible to propane with optional conversion kit
- 5' flex and termination kit



LINEAR GAS FIREPLACE

FRAMING SPECIFICATIONS



CLEARANCE SPECIFICATIONS

- Sides: 2.5"
- Back: 2"
- Top : 21"
- Floor: 0"
- Facing Material: Cement board (Supplied)
- Cement Board Dimensions:
 - Top 38⁷/₁₆ x 12 (Qty 1)
 - Sides 4 x 28¹/₁₆ (Qty 2)



The perfect
combination of
performance
and design