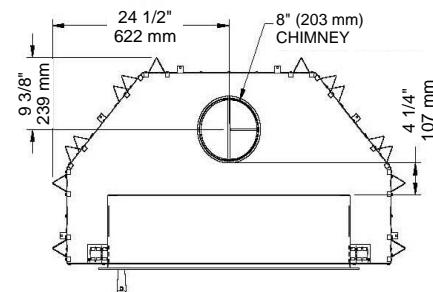
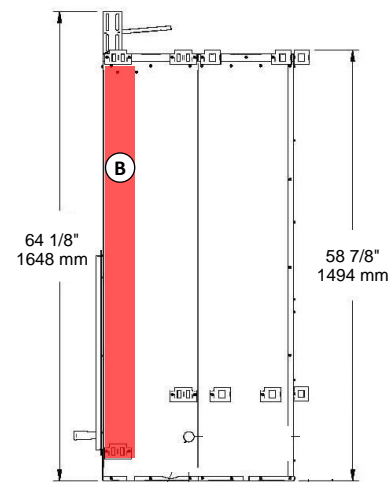
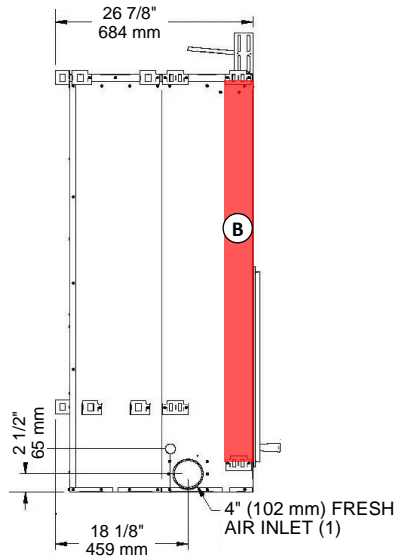
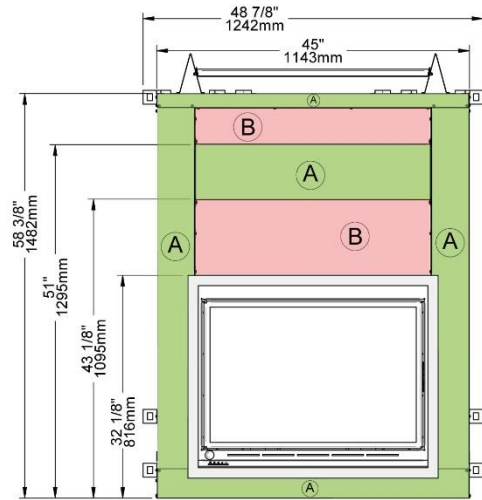


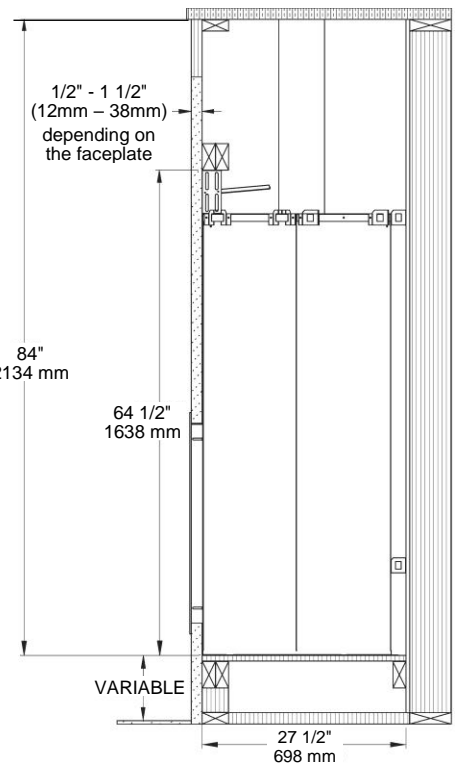
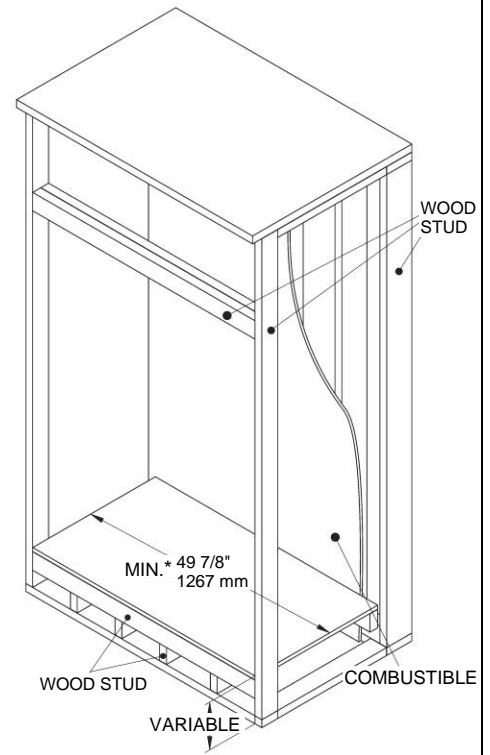
THIS QUICK REFERENCE PRODUCT SHEET IS NOT COMPLETE AND IS SUBJECT TO CHANGE WITHOUT NOTICE. ALWAYS REFER TO OWNER'S MANUAL ACCOMPANYING THE PRODUCT TO AVOID RISK OF FIRE AND INJURIES. ADDITIONAL INFORMATION CAN BE FOUND IN THE OWNER'S MANUAL ONLINE AT [WWW.VALCOURTINC.COM](http://WWW.VALCOURTINC.COM).

**APPLIANCE DIMENSIONS**

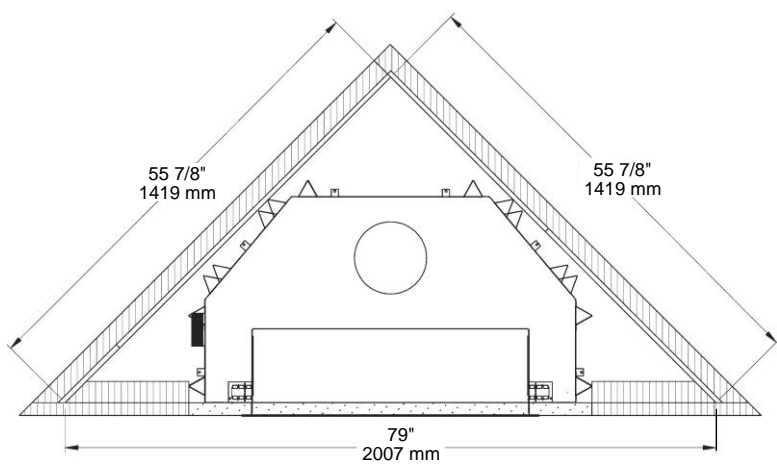
- A** MAX. 1/2" SCREW LENGTH IN THIS AREA.
- B** NO SCREWS IN THIS AREA.



**FRAMING DIMENSIONS**



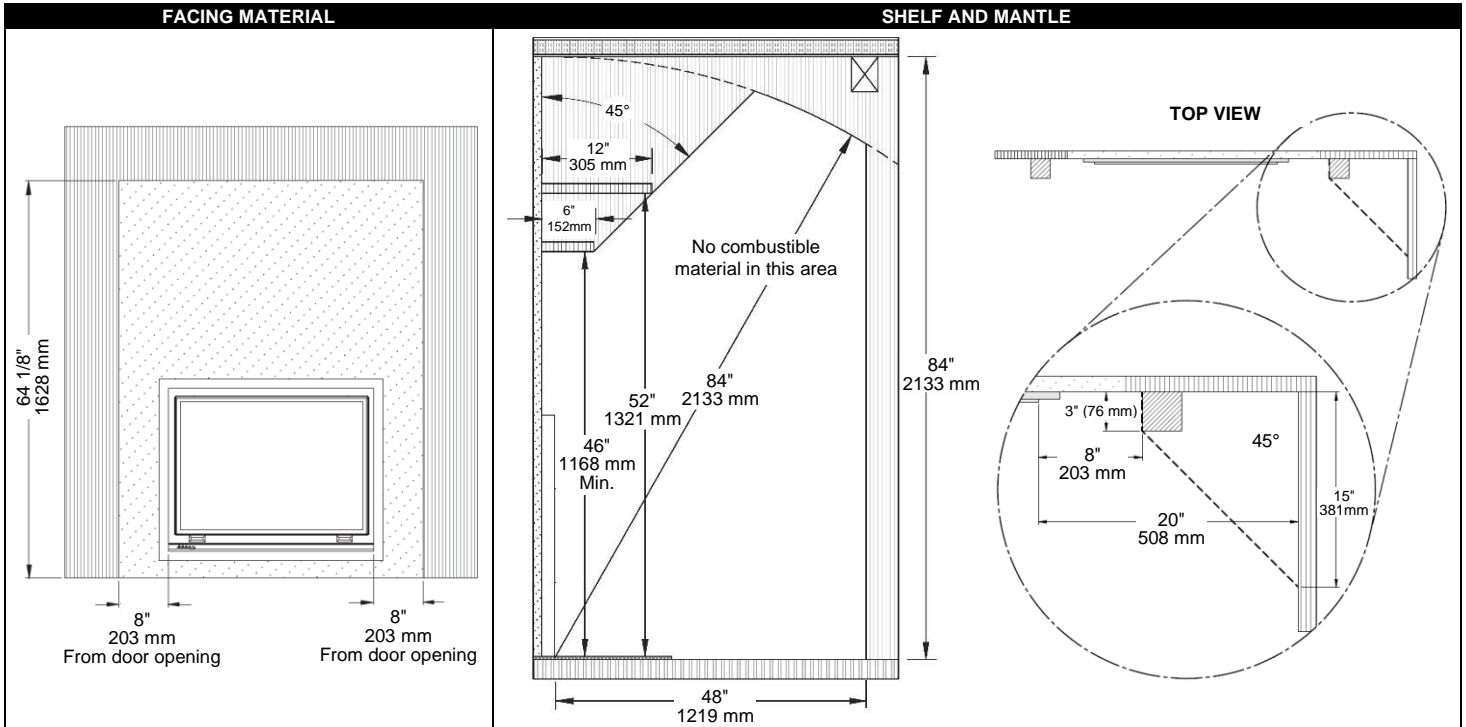
**CORNER INSTALLATION**



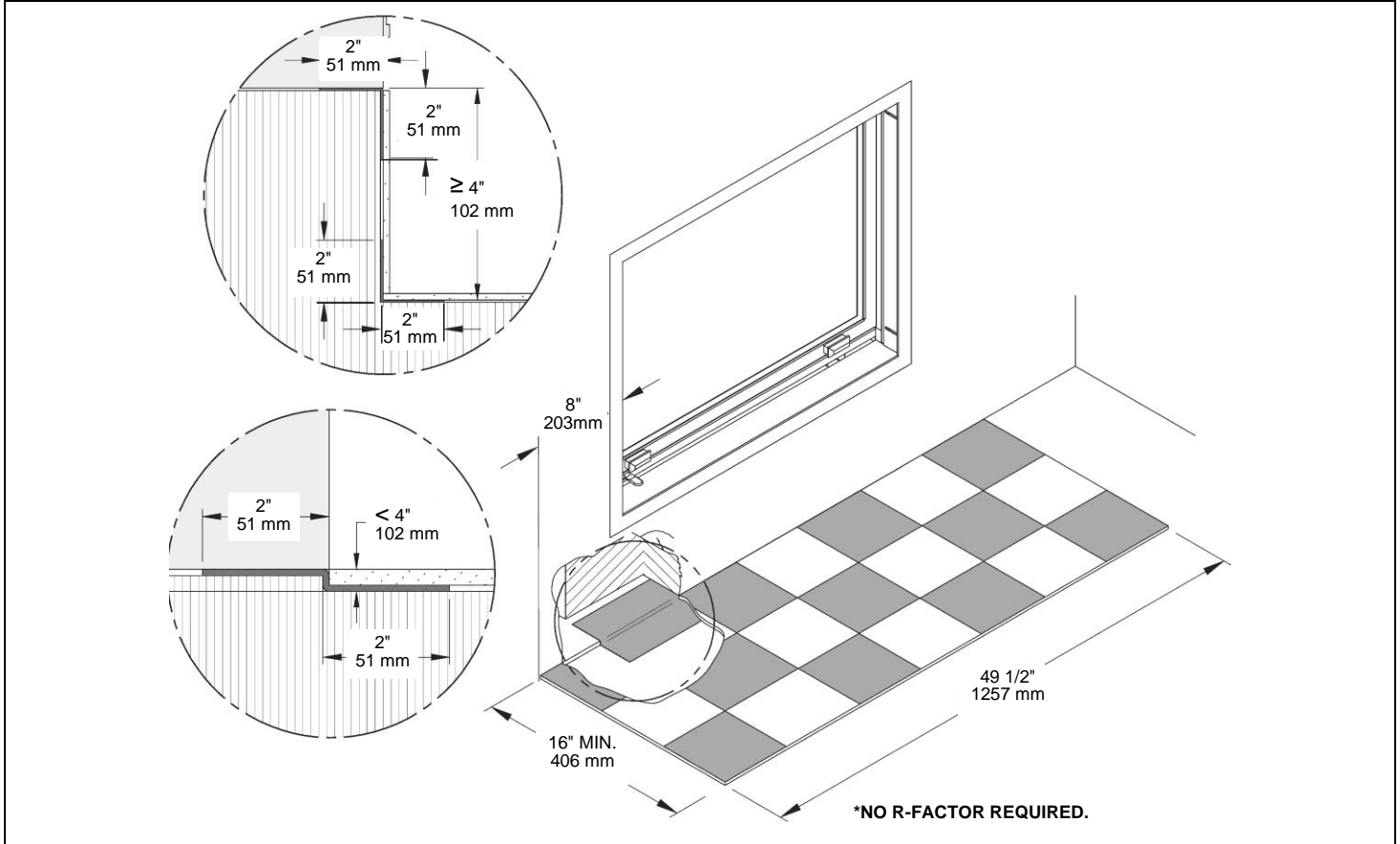
LEGEND		
Combustible material allowed in this area		Non-combustible material only in this area

\* Where applicable, add 6" for fresh air pipe to the width of the chase. When drywall panels or any other finishing material inside the chase around the fireplace is to be used, add its thickness to the measurement.

THIS QUICK REFERENCE PRODUCT SHEET IS NOT COMPLETE AND IS SUBJECT TO CHANGE WITHOUT NOTICE. ALWAYS REFER TO OWNER'S MANUAL ACCOMPANYING THE PRODUCT TO AVOID RISK OF FIRE AND INJURIES. ADDITIONAL INFORMATION CAN BE FOUND IN THE OWNER'S MANUAL ONLINE AT [WWW.VALCOURTINC.COM](http://WWW.VALCOURTINC.COM).



**HEARTH EXTENSION CONSTRUCTION AND DIMENSIONS\***



**LEGEND**

Combustible material allowed in this area		Non-combustible material only in this area	
---	--	--	--