



TN20 WOOD STOVE

SERIES A



High Efficiency Heating Appliances
POWERED BY QUALITY, DRIVEN BY VALUE

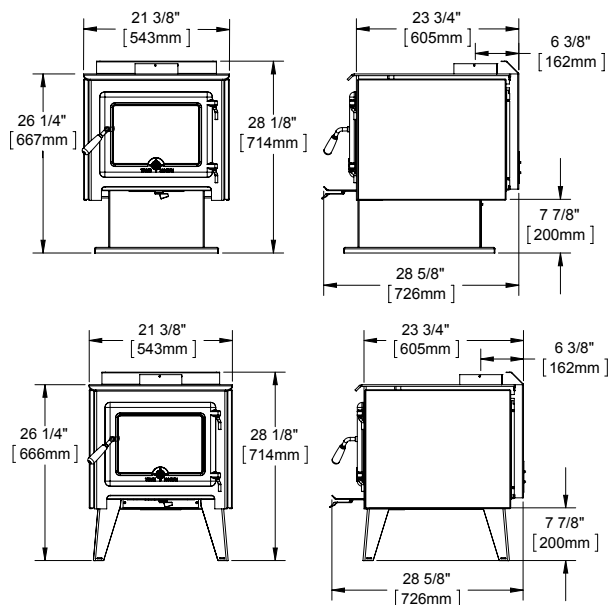
TRUENORTHSTOVES.COM

TN20 WOOD STOVE

SERIES A

TN20 Woodstoves offer an exceptional cost to performance ratio. Featuring entry-level tubes as part of the combustion system, the TN20 is a cost effective solution for the price-minded wood burner. As with all True North stoves & inserts, value does not compromise quality. Each woodstove is constructed with 10-gauge steel, a gasketed cast iron door, a clean glass airwash system, and engineered for high efficiency.

Heat Output Cord Wood	62,000 BTU
Heat Output EPA (HHV)	13,500-29,000 BTU
Efficiency (LHV)	80.8%
Efficiency (B415)	74.8%
Emissions	2.1g/hr.
Firebox Size	2.0 cu.ft.
Log Size (max.)	18 in.



STANDARD FEATURES

- Reliable, durable non-catalytic technology
- Tube combustion system
- Air wash system for super clean ceramic glass
- Inside and outside combustion air capable
- Boost air
- Heavy plate-steel top
- Mobile home approved
- Single-Lever Air Control
- EPA Certified
- Cast iron door
- Pre-assembled for quick and easy installation

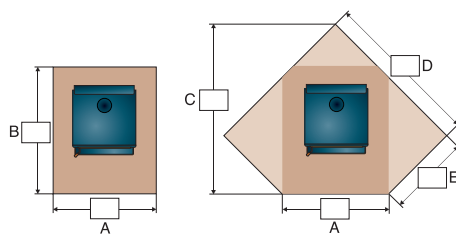
DESIGN OPTIONS

- Choice of leg model or pedestal model

PERFORMANCE OPTIONS

- 60 cfm convection blower

WOOD APPLIANCE FLOOR PROTECTOR AREA

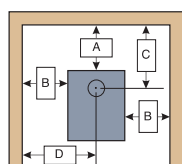


Minimum (Not extended to back wall)	37 3/8"	50"	-	-	-	28 3/4"	39 3/4"	-	-	-
Residential, single wall, vertical connector	37 3/8"	54"	62 1/2"	57 5/8"	31"	28 1/2"	51 3/4"	60 1/2"	52 3/4"	32 5/8"
Residential, double wall, vertical connector	37 3/8"	47"	55 3/8"	52 1/2"	26"	28 1/2"	44 3/4"	53 3/8"	47 3/4"	27 5/8"
Alcove, double wall, connector	37 3/8"	47"	-	-	-	28 1/2"	44 3/4"	-	-	-
Mobile home	37 3/8"	47"	55 3/8"	52 1/2"	26"	28 1/2"	44 3/4"	53 3/8"	47 3/4"	27 5/8"

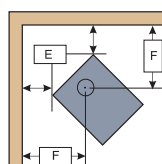
	CANADA					USA				
	A	B	C	D	E	A	B	C	D	E
Minimum (Not extended to back wall)	37 3/8"	50"	-	-	-	28 3/4"	39 3/4"	-	-	-
Residential, single wall, vertical connector	37 3/8"	54"	62 1/2"	57 5/8"	31"	28 1/2"	51 3/4"	60 1/2"	52 3/4"	32 5/8"
Residential, double wall, vertical connector	37 3/8"	47"	55 3/8"	52 1/2"	26"	28 1/2"	44 3/4"	53 3/8"	47 3/4"	27 5/8"
Alcove, double wall, connector	37 3/8"	47"	-	-	-	28 1/2"	44 3/4"	-	-	-
Mobile home	37 3/8"	47"	55 3/8"	52 1/2"	26"	28 1/2"	44 3/4"	53 3/8"	47 3/4"	27 5/8"

MINIMUM CLEARANCES TO COMBUSTIBLES

STRAIGHT/ALCOVE



CORNER



RESIDENTIAL	A	B	C	D	E	F
Single Wall Vertical or Horizontal Connector	12 in	12 in	18 3/8 in	22 5/8 in	8 in	19 in
Double Wall Vertical or Horizontal Connector	5 in	8 in	11 3/8 in	18 5/8 in	3 in	14 in
MOBILE HOME						
Double Wall Vertical Connector only	5 in	8 in	11 3/8 in	18 5/8 in	3 in	14 in

Minimum Clearance from top of Stove to Ceiling = 57.75 in.

PROA.TNWFS xxx - Printed in Canada