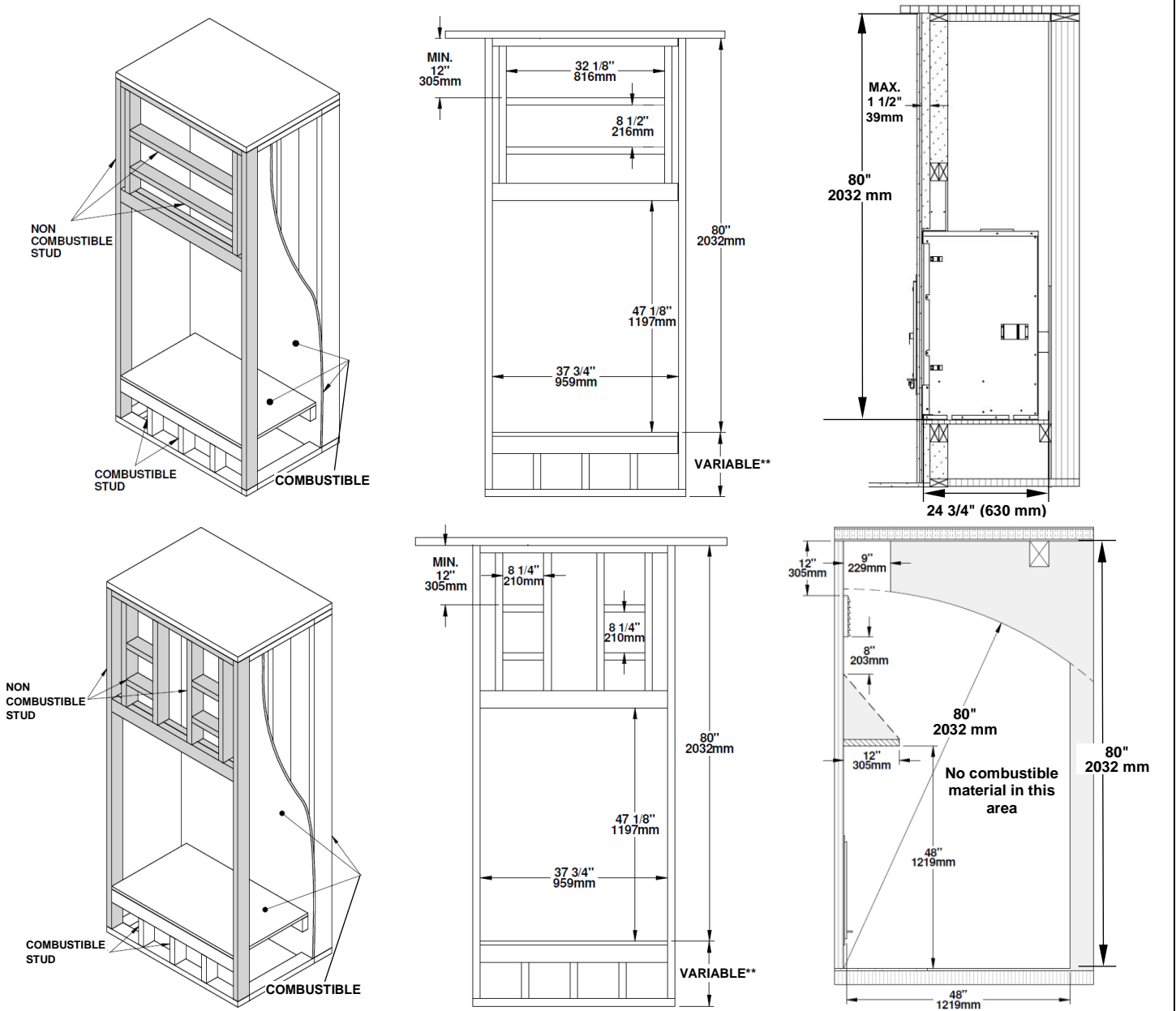
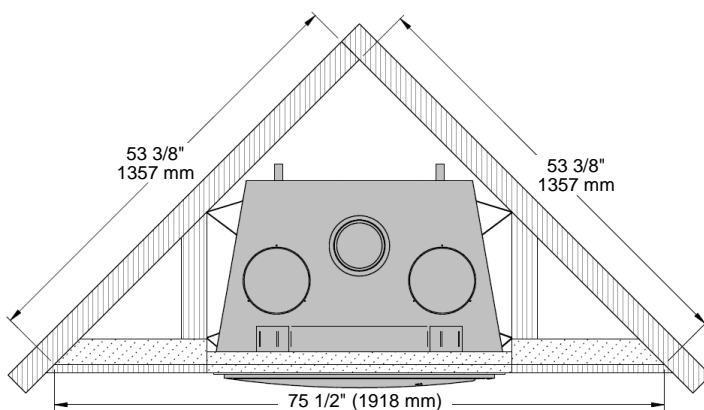


THIS QUICK REFERENCE PRODUCT SHEET IS NOT COMPLETE AND IS SUBJECT TO CHANGE WITHOUT NOTICE. ALWAYS REFER TO OWNER'S MANUAL ACCOMPANYING THE PRODUCT TO AVOID RISK OF FIRE AND INJURIES. ADDITIONAL INFORMATION CAN BE FOUND IN THE OWNER'S MANUAL ONLINE AT WWW.VALCOURTINC.COM.

FRAMING DIMENSIONS AND SHELF



CORNER INSTALLATION



LEGEND

| | |
|--|--|
| Combustible material allowed in this area | |
| Non-combustible material only in this area | |

* Where applicable, add 6" for fresh air pipe and/or 10" for forced air pipe to the width of the chase. When drywall panels or any other finishing material inside the chase around the fireplace is to be used, add its thickness to the measurement.

** For height equal or less than 4", see hearth extension section on reverse.

| FACING MATERIAL | APPLIANCE DIMENSIONS | | | | | | | |
|--|---|--|--------|--|---|--|--|--|
| | | | | | | | | |
| | | | | | | | | |
| HEARTH EXTENSION CONSTRUCTION AND DIMENSIONS | WALL PROJECTION | | | | | | | |
| | | | | | | | | |
| <p>If fireplace is installed directly on the floor or on a raised base of less than 4", an R-value equal to or greater than 1.00 for the hearth extension is required. Use 1/2" Micore or refer to manual for equivalent insulation.</p> | <table border="1" style="width:100%; border-collapse: collapse;"> <thead> <tr style="background-color: black; color: white;"> <th colspan="2">LEGEND</th> </tr> </thead> <tbody> <tr> <td style="padding: 5px;">Combustible material allowed in this area</td> <td style="text-align: center; padding: 5px;"></td> </tr> <tr> <td style="padding: 5px;">Non-combustible material only in this area</td> <td style="text-align: center; padding: 5px;"></td> </tr> </tbody> </table> | | LEGEND | | Combustible material allowed in this area | | Non-combustible material only in this area | |
| LEGEND | | | | | | | | |
| Combustible material allowed in this area | | | | | | | | |
| Non-combustible material only in this area | | | | | | | | |