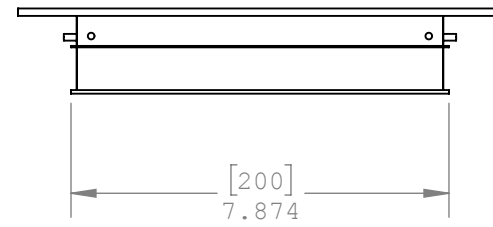
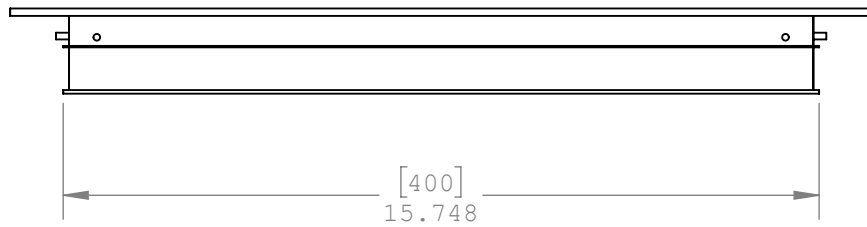
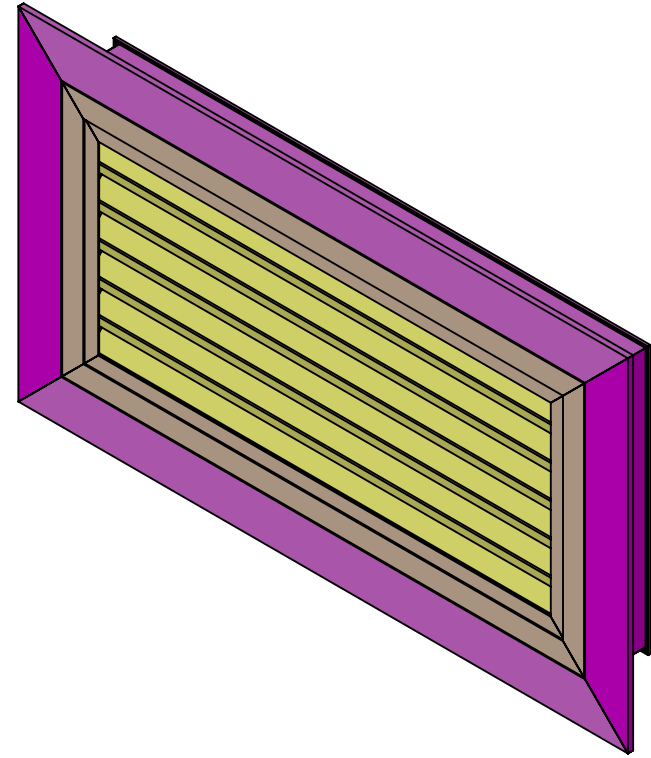
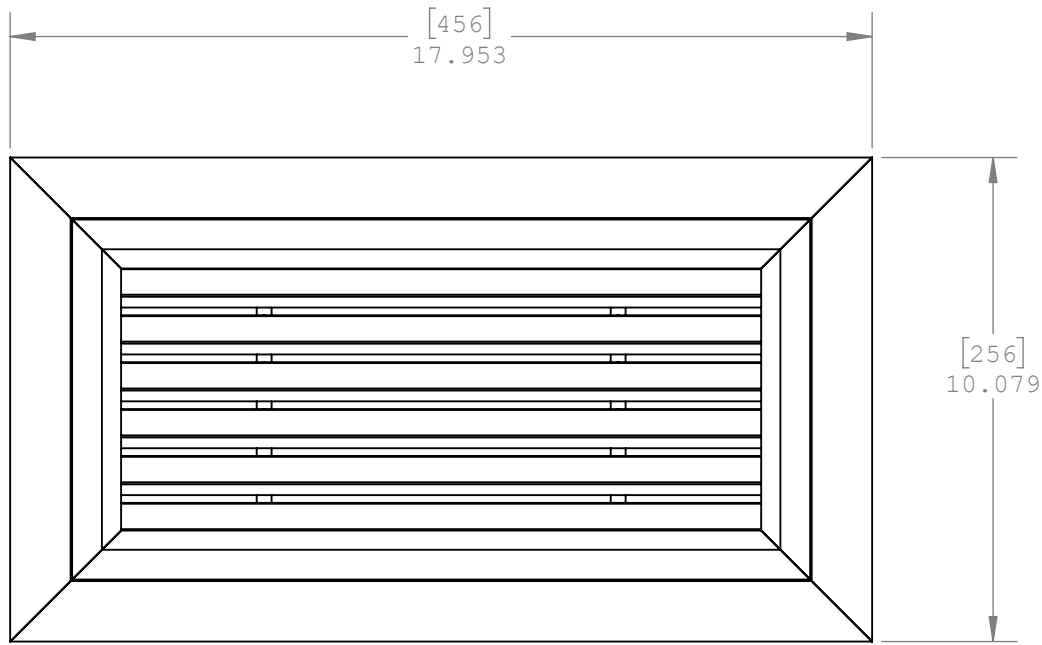


PROPRIETARY AND CONFIDENTIAL



REVISIONS			
REV.	DESCRIPTION	DATE	CHANGED BY
-	.	-	-

DIMENSIONS ARE IN INCHES
 TOLERANCES:
 FRACTIONAL ± 1/32"
 TWO PLACE DECIMAL ± .015"
 THREE PLACE DECIMAL ± .005"
 ANGULAR ± .5°
 ALL BENDS ARE ASSUMED
 TO BE 90° UNLESS NOTED
 OTHERWISE.

	NAME	DATE
Drawn by	DM	05/05/2017
Revision / Date	A	
Revision		
Finish		

Description	GRSDH - Sidewall Cavity Venting Louver Horizontal
DWG. NO.	GR0003
MATERIAL	
SCALE 1:8	WEIGHT:
SHEET 1 OF 1	

THE INFORMATION CONTAINED IN THIS DRAWING IS THE SOLE PROPERTY OF CANADIAN HEATING PRODUCTS. ANY REPRODUCTION IN PART OR AS A WHOLE WITHOUT THE WRITTEN PERMISSION OF CANADIAN HEATING PRODUCTS IS PROHIBITED.

Y:\Products\Residential Products\R&D Projects\Distinction Accessories\Heat Distribution Channel\GR0003

October-11-18 6:34:45 AM