



---

**GAS**  
FIREPLACES





# Enviro

HEARTH PRODUCTS



## Designed to heat. Built to Last.

For over 30 years, unsurpassed quality and craftsmanship have made us an industry leader in innovative heating systems. Design, functionality, and efficiency merge to create exceptional products that will exceed all expectations. Whether time-honored traditional or bold and modern, our dynamic range of products will compliment any home décor. With a complete line of fireplace inserts, zero-clearance fireplaces, and freestanding stoves, we have the perfect solution for your heating requirements. We won't just meet your expectations; we'll exceed them...







Q1 Fireplace – Black Enameled Steel Liner, High Definition Log Set



Q1 Fireplace – Ceramic Brick Liner, High Definition Log Set



Q1 Fireplace – Ceramic Brick Liner, High Definition Log Set

### Design Features

- Clean Face Look — No Louvers
- Hand Welded Fireplace
- 150 CFM Room Fan (with variable control)
- Limited Lifetime Warranty
- ClearView Safety Screen
- Quick Access Valve Controls

### Available Options

- Remote or Thermostat Control
- Burner Options:
  - High Definition Log Set (Included)
- Liner Options:
  - Steel Painted Liner (Included)
  - Ceramic Brick Liner
  - LedgeStone Liner
  - Black Enameled Steel Liner

### Fireplace Specifications

BTU Maximum Input - NG	20,000 BTU
Turn Down	Up to 33%
Heating Area	1,100 ft <sup>2</sup>
P4 Efficiency	74.5%
Viewing Area	16½" x 18¾"
Glass Size	17½" x 19¾"
Fireplace Install Dims.	HEIGHT 35¼" WIDTH 25¼" DEPTH 17½"



High Definition Log Set



Brick Liner



Enameled Liner with High Definition Log Set





Q2 Fireplace – Slim Face Surround, Black Enameled Steel Liner, and Driftwood Log Set



Q2 Fireplace – Slim Face Surround, Herringbone Liner, and Traditional Log Set



Q2 Fireplace – Slim Face Surround, Black Enameled Steel Liner and Glass Burner with Diamond Glass

### Design Features

- Clean Face Look — No Louvers
- Hand Welded Firebox
- 150 CFM Room Fan (with variable control)
- ClearView Safety Screen
- Limited Lifetime Warranty

### Available Options

- Remote or Thermostat Control
- Burner Options:
  - Traditional Log Set
  - Driftwood Log Set
  - Glass Burner with Diamond Glass
- Liner Options:
  - Painted Black Firebox - *Included*
  - Ceramic Brick Liner
  - Herringbone Liner
  - Black Enameled Steel Liner
- Surround Options:
  - Slim Face - *Included*
  - Forgeworks Face

### Fireplace Specifications

BTU Maximum Input - NG	24,000 BTU		
Turn Down	33%		
Heating Area	1,400 ft <sup>2</sup>		
P4 Efficiency	69.3%		
Viewing Area	26" x 21¼"		
Glass Size	28½" x 23.85"		
Fireplace Install Dims.	HEIGHT 40"	WIDTH 34⅝"	DEPTH 15⅞"



Traditional Log Set



Glass Burner with Diamond Glass



Driftwood Log Set





Q3 Fireplace – Forgeworks Surround, Ceramic Brick Liner, and Traditional Log Set



Q3 Fireplace – Black Enameled Steel Liner, and Traditional Log Set



Q3 Fireplace – Brick Liner and Traditional Log Set

### Design Features

- Clean Face Look — No Louvers
- Hand Welded Firebox
- High Efficiency Heat Exchanger
- 150 CFM Room Fan (with variable control)
- Fixed Top Vent / Adjustable Rear Vent
- ClearView Safety Screen
- Limited Lifetime Warranty
- Remote or Thermostat Control

### Available Options

- Burner Options:
  - Traditional Log Set (Included)
- Liner Options:
  - Ceramic Brick Liner
  - LedgeStone Liner
  - Black Enameled Steel Liner
- Surround Options:
  - Slim Face - *Included*
  - Forgeworks Face

### Fireplace Specifications

BTU Maximum Input - NG	38,000 BTU		
Turn Down	Up to 33%		
Heating Area	2,000 ft <sup>2</sup>		
P4 Efficiency	67.3%		
Viewing Area	24¼" x 26"		
Glass Size	26.85" x 32½"		
Fireplace Install Dims.	HEIGHT 43½"	WIDTH 34¾"	DEPTH 18"



Traditional Log Set



Cast Iron Grate



High Efficiency Heat Exchanger





G39 Gas Fireplace – Painted Black Surround, Rustic Brown Ceramic Brick Liner, and Traditional Log Set





G39 Gas Fireplace – Painted Black Surround, Black Enamel Steel Liner, and Birch Log Set



G39 Gas Fireplace – Painted Black Surround, Black Enameled Steel Liner, and Glass Burner



G39 Gas Fireplace – Painted Black Surround, Ledgestone Liner, and Traditional Log Set

## Design Features

- Adjustable Ember Bed Lighting
- Clean Face Look — No Louvers
- Glass Size: 26¼" x 32½", 853¼ in<sup>2</sup>
- E-Coated Glass (Optional Ceramic Glass)
- Cool Surface System HDK Included
- 130 CFM Room Fan (with variable control)
- ClearView Safety Screen
- Limited Lifetime Warranty



## Available Options

- **Burner Options:**
  - Traditional Log Set
  - Birch Log Set
  - Driftwood Log Set
  - Glass Burner with Diamond Glass
- **Liner Options:**
  - Ceramic Brick Liner (Brown or Black)
  - Herringbone Liner
  - Ledgestone Liner
  - Black Enameled Steel Liner
  - Painted Steel Liner (Included)
- **Surround Options:**
  - Slim Face in Painted Black (incl.)
  - Forgeworks Face

## Fireplace Specifications

BTU Maximum Input - NG	30,000 BTU
Turn Down	Up to 33%
Heating Area	1,600 ft <sup>2</sup>
P4 Efficiency	69.8%
Viewing Area	24"h x 30"w
Glass Size	26½"h x 32½"w
Fireplace Install Dims.	HEIGHT 42" WIDTH 41½" DEPTH 18¼"



Traditional Log Set



Birch Log Set



Driftwood Log Set









G42 Gas Fireplace – Painted Black Surround, Black Enameled Steel Liner, Traditional Log Set



G42 Gas Fireplace – Painted Black Surround, Black Enameled Steel Liner, and Driftwood Log Set



G42 Gas Fireplace – Painted Black Surround, Herringbone Liner, and Traditional Log Set

## Design Features

- Adjustable Ember Bed Lighting
- Clean Face Look — No Louvers
- Glass Size: 29 $\frac{3}{8}$ " x 36 $\frac{1}{2}$ ", 1072 in<sup>2</sup>
- Ceramic Glass
- Cool Surface System HDK Included
- ClearView Safety Screen
- 130 CFM Room Fan (with variable control)
- Limited Lifetime Warranty



## Available Options

- **Burner Options:**
  - Traditional Log Set
  - Birch Log Set
  - Driftwood Log Set
  - Glass Burner with Diamond Glass
- **Liner Options:**
  - Ceramic Brick Liner (Brown or Black)
  - Herringbone Liner
  - LedgeStone Liner
  - Black Enameled Steel Liner
  - Painted Steel Liner (Included)
- **Surround Options:**
  - Slim Face in Painted Black (incl.)
  - Forgeworks Face

## Fireplace Specifications

BTU Maximum Input - NG	40,000 BTU
Turn Down	Up to 33%
Heating Area	2,000 ft <sup>2</sup>
P4 Efficiency	69.6%
Viewing Area	26 $\frac{7}{8}$ "h x 34"w
Glass Size	29 $\frac{3}{8}$ "h x 36 $\frac{1}{2}$ "w
Fireplace Install Dims.	HEIGHT 50" WIDTH 48 $\frac{3}{4}$ " DEPTH 23 $\frac{1}{4}$ "



Forgeworks Face



Diamond Glass Burner



Traditional Log Set





*G50 Gas Fireplace – Painted Black Surround, Herringbone Liner, and Traditional Log Set*





G50 Gas Fireplace – Painted Black Surround, Ceramic Brick Liner, and Traditional Log Set



G50 Gas Fireplace – Painted Black Surround, Black Enameled Steel Liner, and Driftwood Log Set



G50 Gas Fireplace – Painted Black Surround, Painted Black Ceramic Brick Liner, and Birch Log Set

## Design Features

- Adjustable Ember Bed Lighting
- Clean Face Look — No Louvers
- IPI Valve
- Glass Size: 30½" x 43½", 1326¼ in<sup>2</sup>
- Two Stage Burner (Split Flow)
- Cool Surface System HDK Included
- ClearView Safety Screen
- Run-Quiet Fan System
- Limited Lifetime Warranty



## Available Options

- **Burner Options:**
  - Traditional Log Set
  - Birch Log Set
  - Driftwood Log Set
  - Glass Burner with Diamond Glass
- **Liner Options:**
  - Ceramic Brick Liner (Brown or Black)
  - Herringbone Liner
  - Limestone Liner
  - Black Enameled Steel Liner
  - Painted Steel Liner (Included)
- **Surround Options:**
  - Slim Face in Painted Black (incl.)
  - Forgeworks Face

## Fireplace Specifications

BTU Maximum Input - NG	48,000 BTU		
Turn Down*	67.5%		
Heating Area	2,200 ft <sup>2</sup>		
P4 Efficiency	72.8%		
Viewing Area	28"h x 41"w		
Glass Size	30½"h x 43½"w		
Fireplace Install Dims.	HEIGHT 50"	WIDTH 55"	DEPTH 23¼"

\* Turn down takes into account the Split Slow burner



Adjustable Ember Bed Lighting



Glass Burner with Diamond Glass

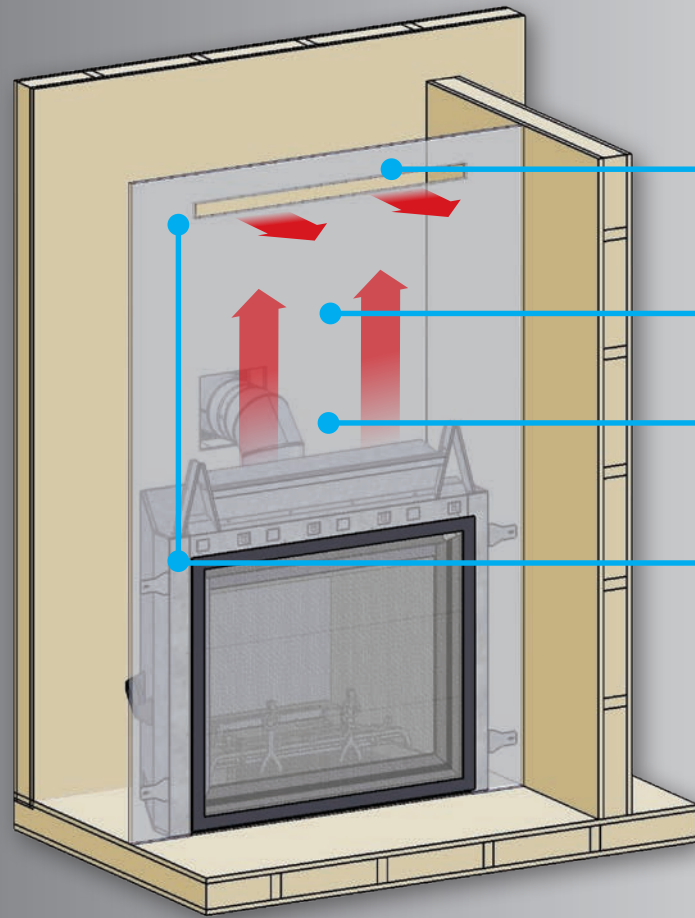


Traditional Log Set



# Cool Surface System

INCLUDED WITH THE G SERIES



Convective heat that rises from the fireplace is captured in the chase and channeled through the vent using the Cool Surface System.

The Cool Surface System channels rising heat behind the wall.

Allows up to 1" thick combustible material (ie: drywall) to be used.

The Cool Surface System and vent bezel are included with every G Series unit.

We understand that surface temperatures are an important factor when considering how a fireplace will affect HDTVs or any framed decorations that might be mounted above. Heat rises naturally and with that in mind, every Enviro G Series Gas Fireplace comes equipped with our exclusive Cool Surface System.

We designed this system to help channel excess rising heat up behind the wall and safely push it through an included vent bezel bypassing any valuables above your G Series fireplace.

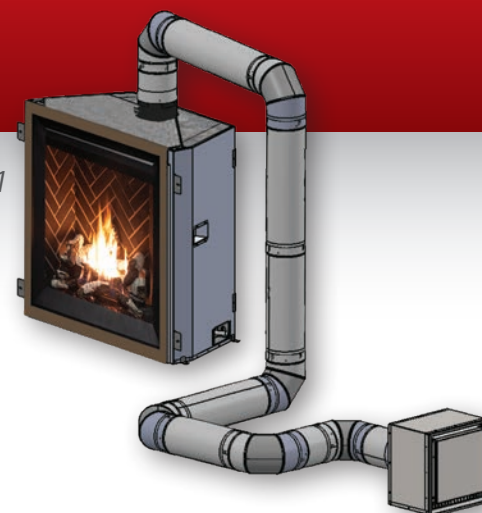
Rising heat is evenly vented forward into the living space through the included bezel

Rising heat is channeled safely past valuable wall mounted items such as a TV

Heat radiates forward from the fireplace window

## Power Vent Kit OPTIONAL FOR THE G SERIES

- A minimum venting run of 10 feet
- A maximum venting run of 110 feet
- Max of 6 elbows in vent configuration
- Venting can run downward 4' below the unit
- Flush mount (paintable) termination
- All stoves EXCEPT the G39 require part #50-2321 (Or you can order part #58DVA-X46 directly from DuraVent) vent reducer (5 x 8" vent reduced to 4 x 6 5/8" vent)
- Utilizes smaller 4 x 6 5/8" venting
- Run Quiet Fan System (noise reduction)





# G Series Surrounds



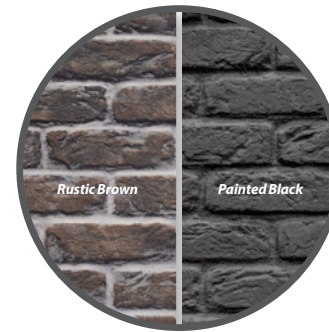
**SLIM SURROUND - PAINTED BLACK** (G42 pictured)  
Included with the G39, G42, and G50



**FORGEWORKS SURROUND - MIDNIGHT BRONZE** (G42 pictured)  
Available for the G39, G42, and G50

# G Series Design Elements

## G SERIES FIREBOX LINERS



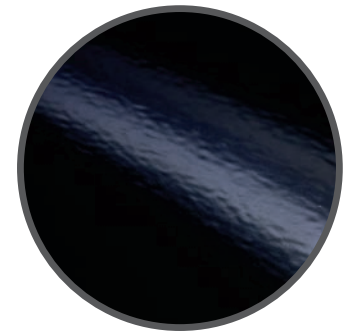
**CERAMIC BRICK LINER**  
Available for the G39, G42, and G50



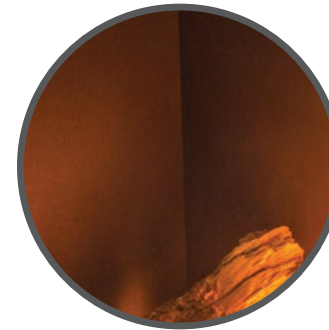
**HERRINGBONE LINER**  
Available for the G39, G42, and G50



**LEDGESTONE LINER**  
Available for the G39, G42, and G50



**BLACK ENAMELED STEEL LINER**  
Available for the G39, G42, and G50



**PAINTED STEEL LINER**  
Included with the G39, G42, and G50

## G SERIES BURNER STYLES



**GLASS BURNER WITH DIAMOND GLASS**  
Available for the G39, G42, and G50



**DRIFTWOOD LOG SET**  
Available for the G39, G42, and G50



**TRADITIONAL LOG SET**  
Available for the G39, G42, and G50



**BIRCH LOG SET**  
Available for the G39, G42, and G50



# Q Series Surrounds

## Q1 GAS FIREPLACE SURROUNDS



**MODERN SURROUND**



**MINIMAL SURROUND**



**4-SIDED MINIMAL SURROUND**

## Q2 GAS FIREPLACE SURROUNDS



**SLIM FACE**  
*Included*



**FORGEWORKS FACE**  
*Midnight Bronze*

## Q3 GAS FIREPLACE SURROUNDS



**SLIM FACE**  
*Included*



**FORGEWORKS FACE**  
*Midnight Bronze*

# Q Series Design Elements

## Q SERIES FIREBOX LINERS



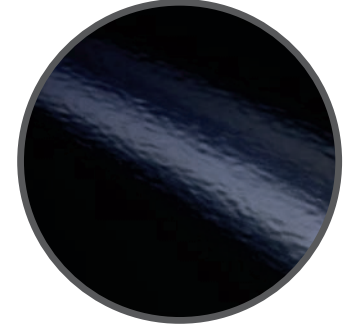
**CERAMIC BRICK LINER**  
Ceramic Brick available for the Q1, Q2, and Q3



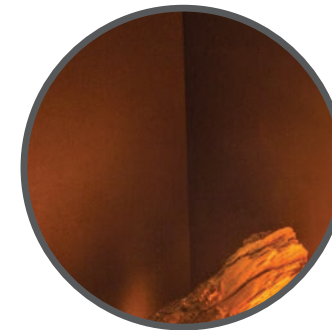
**HERRINGBONE LINER**  
Available for the Q2



**LEDGESTONE LINER**  
Available for the Q1, & Q3



**BLACK ENAMELED STEEL LINER**  
Available for the Q1, Q2, & Q3



**PAINTED STEEL LINER**  
Included with the Q1

## Q SERIES BURNER STYLES



**GLASS BURNER W/DIAMOND GLASS**  
Available for the Q2



**CLASSIC LOG SET**  
Included with the Q1



**TRADITIONAL LOG SET**  
Available for the Q2 & Q3



**DRIFTWOOD LOG SET**  
Available for the Q2



## Q Series Options

### Firebox Liners

	Q1 GAS FIREPLACE	Q2 GAS FIREPLACE	Q3 GAS FIREPLACE
Ceramic Brick Liner	Optional	Optional	Optional
Black Enameled Steel Liner	Optional	Optional, inc. w/Q2G	Optional
Ledgestone Liner	Optional		Optional
Herringbone Liner		Optional	
Painted Steel Liner	Included		

### Fireplace Surrounds

	Q1 GAS FIREPLACE		Q2 GAS FIREPLACE		Q3 GAS FIREPLACE	
	HEIGHT	WIDTH	HEIGHT	WIDTH	HEIGHT	WIDTH
Minimal Surround	26 3/8"	22 3/4"				
Minimal Surround Four-Sided	27 1/2"	24 1/4"				
Modern Surround*	30"	30"				
Slim Face			28 7/8"	32 3/4"	32"	32 3/4"
Forgeworks Face			29 1/4"	33 7/8"	32 7/8"	35 7/8"

### Burner Variations

	Q1 GAS FIREPLACE	Q2 GAS FIREPLACE	Q3 GAS FIREPLACE
Classic Log Set	Included		
Traditional Log Set		Included	Included
Driftwood Log Set		Optional	
Glass Burner with Diamond Glass		Top vent only	

### Additional Options

	Q1 GAS FIREPLACE	Q2 GAS FIREPLACE	Q3 GAS FIREPLACE
150 CFM Run Quiet Fan System	Included	Included	Included
Programmable Thermostat	Optional	Optional	Optional
Proflame/Dexen Remote Control	Included	Included	Included

## G Series Options

### Firebox Liners

	G39 GAS FIREPLACE	G42 GAS FIREPLACE	G50 GAS FIREPLACE
Ceramic Brick Liner	Optional	Optional	Optional
Herringbone Liner	Optional	Optional	Optional
Black Enameled Steel Liner	Optional	Optional	Optional
Ledgestone Liner	Optional	Optional	Optional
Painted Steel Liner	Included	Included	Included

### Fireplace Surrounds

	G39 GAS FIREPLACE		G42 GAS FIREPLACE		G50 GAS FIREPLACE	
	HEIGHT	WIDTH	HEIGHT	WIDTH	HEIGHT	WIDTH
Slim Face Surround	33 3/4"	39"	37"	42 1/2"	39"	50 1/2"
Forgeworks Surround	33 3/4"	39"	37"	42 1/2"	39"	50 1/2"

### Burner Variations

	G39 GAS FIREPLACE	G42 GAS FIREPLACE	G50 GAS FIREPLACE
Traditional Log Set	Optional	Optional	Optional
Birch Log Set	Optional	Optional	Optional
Driftwood Log Set	Optional	Optional	Optional
Glass Burner with Diamond Glass	Optional	Optional	Optional

### Additional Accents

	G39 GAS FIREPLACE	G42 GAS FIREPLACE	G50 GAS FIREPLACE
Cool Surface System (HDK)	Built-in	Built-in	Built-in
Power Vent Kit	Optional	Optional	Optional
Ceramic Glass	Optional	Included	Included
Adjustable Ember Bed Lighting (Log IPI Only)	Included w/IPI	Included w/IPI	Included w/IPI
Programmable Thermostat	Included	Included	Included
Proflame/Dexen Remote Control	Included	Included	Included



# Q Series Specifications

## Performance

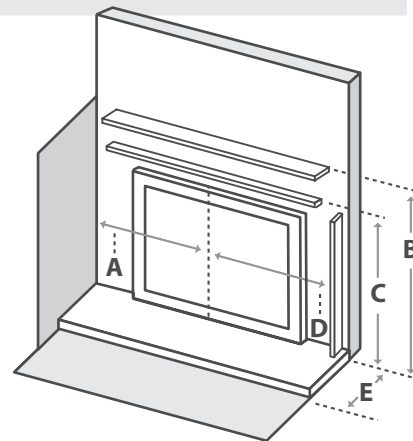
	<b>Q1</b> GAS FIREPLACE	<b>Q2</b> GAS FIREPLACE	<b>Q3</b> GAS FIREPLACE
BTU Maximum input - NG / LP	20,000 / 13,400	24,000 / 20,000	38,000 / 38,000
Turn Down*	33%	33%	33%
Heat Exchanger	✓	✓	✓
IPI	Available	Available	Available
Efficiency - Steady State**	76.1%	70.7%	71.6%
Efficiency - FE rating (P4)†	74.5%	69.3%	67.3%
Viewing Area	18¾" x 16½", 309⅜ in <sup>2</sup>	21¼" x 26", 552½ in <sup>2</sup>	24¼" x 26", 630½ in <sup>2</sup>
Glass Size	19¾" x 17½", 345½ in <sup>2</sup>	23.85" x 28.6", 682 in <sup>2</sup>	26.85" x 28.6", 768 in <sup>2</sup>
150 CFM Run-Quiet Fan System	✓	✓	✓

## Installation

	<b>Q1</b> GAS FIREPLACE			<b>Q2</b> GAS FIREPLACE			<b>Q3</b> GAS FIREPLACE		
Fireplace Dimensions w/Screen (HWD)	HEIGHT 35¼"	WIDTH 25¼"	DEPTH 17½"	HEIGHT 40"	WIDTH 34⅝"	DEPTH 15⅞"	HEIGHT 43½"	WIDTH 34⅝"	DEPTH 18"
Venting Collar Size	4" x 6 ⅝"			4" x 6 ⅝"			4" x 6 ⅝"		
Venting Orientation	Top / Rear			Top / Rear			Top / Rear		
LP Conversion Kit (IPI)	Optional			Optional			Optional		
Weight (Average Weight including liner and media)	110 lbs			187 lbs			275 lbs		

## Clearance to Combustibles

	<b>Q1</b>	<b>Q2</b>	<b>Q3</b>
A - center of unit to side wall	16½"	21 ⅞"	26¼"
B - bottom of unit to bottom of 12" mantle	41"	49"	46½"
C - unit bottom to max. ¾" combustible facing	35¼"	40"	43½"
D - center of unit to side facing	10"	17½"	17 ⅝"
E - front of door to edge of floor protection	12"	N/A	N/A



\* Turn down based on P4 efficiencies on low.

\*\* Steady state rating based on conventional venting configuration.

† Efficiency based on the P4-15 measured efficiency rating of the IPI models

# G Series Specifications

## Performance

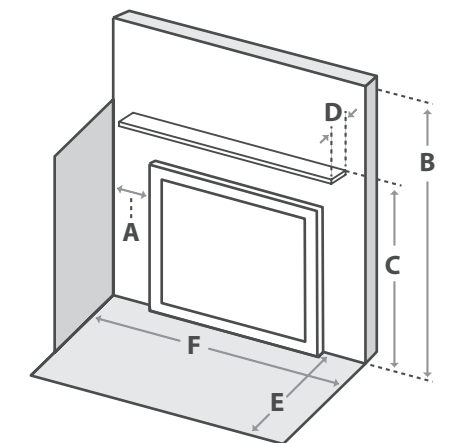
	<b>G39</b> GAS FIREPLACE	<b>G42</b> GAS FIREPLACE	<b>G50</b> GAS FIREPLACE
BTU Maximum input - NG / LP	30,000 / 30,000	40,000 / 40,000	48,000 / 48,000
Turn Down*	33%	33%	NA / 67.5% w/Split flow
Heat Exchanger	✓	✓	✓
IPI	Available	Available	Standard
Efficiency - Steady State**	71.37%	72.1%	75.7%
Efficiency - FE rating (P4)†	69.8%	69.6%	72.8%
Viewing Area	24" x 30", 720 in <sup>2</sup>	26⅞" x 34", 913¼ in <sup>2</sup>	28" x 41", 1148 in <sup>2</sup>
Glass Size	26½" x 32½", 853¼ in <sup>2</sup>	29⅜" x 36½", 1072 in <sup>2</sup>	30½" x 43½", 1326¾ in <sup>2</sup>
Run-Quiet Fan System	130 CFM	130 CFM	130 CFM
Split Flow Burner	N/A	N/A	Standard

## Installation

	<b>G39</b> GAS FIREPLACE			<b>G42</b> GAS FIREPLACE			<b>G50</b> GAS FIREPLACE		
Fireplace Dimensions w/Screen (HWD)	HEIGHT 42"	WIDTH 41 ½"	DEPTH 18¼"	HEIGHT 50"	WIDTH 48¾"	DEPTH 23¼"	HEIGHT 50"	WIDTH 55"	DEPTH 23¼"
Venting Collar Size	4" x 7" Flex & 4" x 6 ⅝" Rigid			5" x 8" Flex & Rigid			5" x 8" Flex & Rigid		
Venting Orientation	Top			Top			Top		
LP Conversion Kit (IPI)	Optional			Optional			Optional		
Weight (Average Weight including liner and media)	300 lbs			414 lbs			489 lbs		

## Clearance to Combustibles

	<b>G39</b>	<b>G42</b>	<b>G50</b>
A - Side of unit to side wall	7"	7"	7"
B - Minimum clearance to ceiling	72"	78"	78"
C - Minimum clearance to mantle height	45"	45¼"	48"
D - Minimum clearance to mantle depth	4"	4"	4"
E - Front of door to edge of floor protection	0"	0"	0"
F - Minimum clearance to alcove width	52"	57"	63½"




\* Turn down based on P4 efficiencies on low.



The best way to visualize  
your dream fireplace at home  
is with the Enviro App!



Manufactured by Sherwood Industries Ltd • Victoria, BC, Canada  
enviro.com • info@enviro.com • Printed in Canada, May 2023

 Please share and  
recycle this brochure