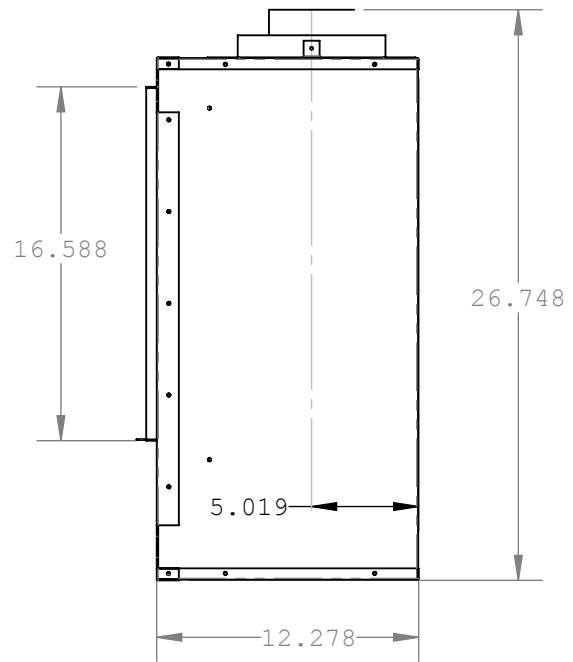
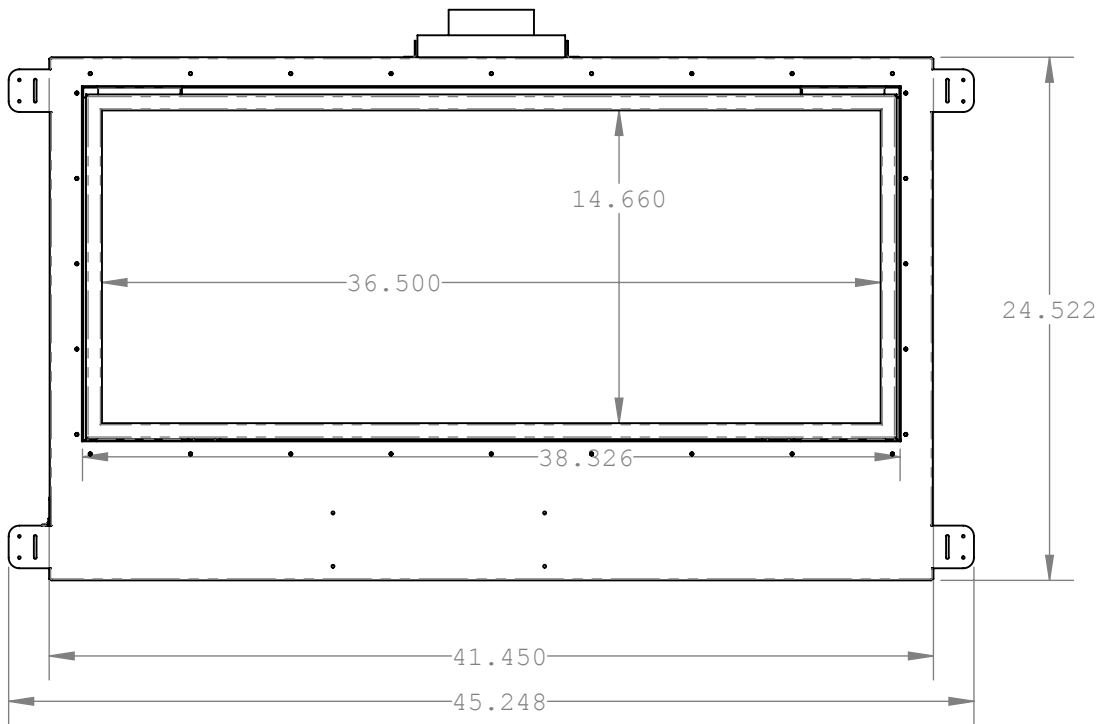
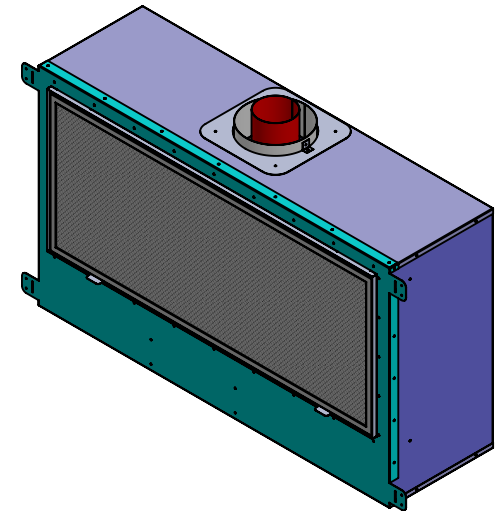
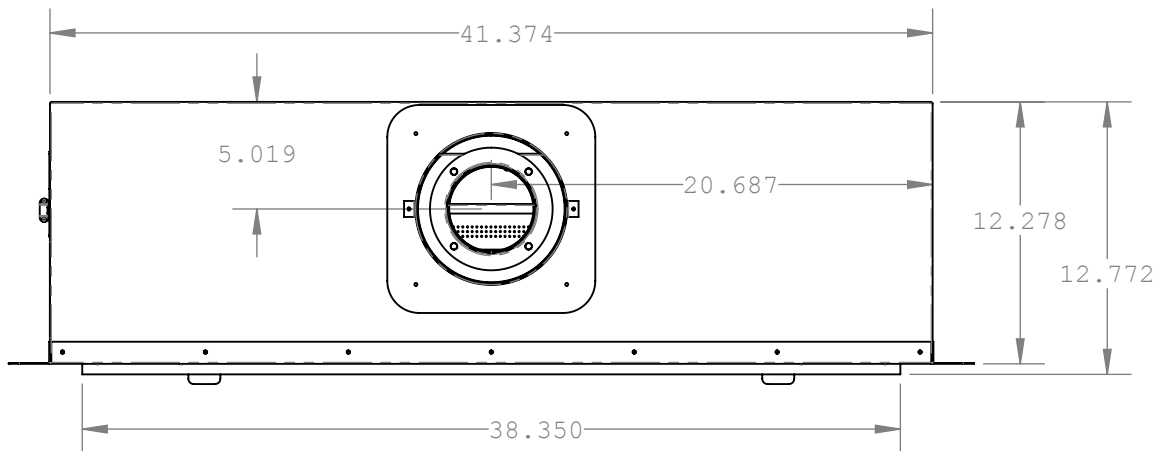


PROPRIETARY AND CONFIDENTIAL



REVISIONS			
REV.	DESCRIPTION	DATE	CHANGED BY
-	.	-	-

DIMENSIONS ARE IN INCHES
 TOLERANCES:
 FRACTIONAL ± 1/32"
 TWO PLACE DECIMAL ± .015"
 THREE PLACE DECIMAL ± .005"
 ANGULAR ± .5°
 ALL BENDS ARE ASSUMED
 TO BE 90° UNLESS NOTED
 OTHERWISE.

	NAME	DATE
Drawn by	DM	14/07/2017
Revision / Date		
Revision		
Finish		

Description	MNR36 Full Assembly
DWG. NO.	MNR36 FULL ASSEMBLY
MATERIAL	
SCALE 1:12	WEIGHT:
SHEET 1 OF 1	

THE INFORMATION CONTAINED IN THIS DRAWING IS THE SOLE PROPERTY OF CANADIAN HEATING PRODUCTS. ANY REPRODUCTION IN PART OR AS A WHOLE WITHOUT THE WRITTEN PERMISSION OF CANADIAN HEATING PRODUCTS IS PROHIBITED.

Y:\Products\Residential Products\R&D Projects\MNR36\CAD Drawings\MNR36 FULL ASSEMBLY

May-29-18 12:30:03 PM